



THE RUNNING BOARD NEWS



www.gta-texas.com

THE GOLDEN TRIANGLE A's

JULY 2026

750 Countrywood Circle, Sour Lake, TX 77659

Facebook: Golden Triangle A's-MAFCA Club

Next Monthly Meeting

JULY 14, 2026
6:00 PM
Baytown Seafood
4830 Twin City Hwy
Groves, Texas



July Events

4th—Calder Place Parade 9:00 A.M.
14th—GTA Meeting
30th—Last Thursday with the Prez
Hamburger Depot, 11:30 A.M.
1920 Nederland Ave.
Nederland

2026—CELEBRATING 31 YEARS AS A MODEL A FORD CLUB OF AMERICA

The Golden Triangle A's have been serving the Southeast Texas Model A community since January 10, 1995. With regular meetings, tours and activities, it is our goal to unite all Model A Ford owners and help in restoring, maintaining and preserving these automobiles. We strongly encourage all our members to join the Model A Ford Club of America.



THE PREZ SEZ.....

Happy 4th of July to all of our GTA members! America is 250 years old and still a baby compared to European and Asian countries. We have our share of problems in our country like crime, poverty, racism, and inflation; however, it is still the greatest country in the world, and I love living here. In America with hard work and a plan, you can achieve your goals whether it is wealth, a family, a great job, or all of the above; it is possible. Just remember what Henry Ford did in his lifetime. We get to choose which schools to send our children to, which religion to practice, who we are going to marry, where to live and retire. We also get to pick which hobbies to pursue—like being part of the Ford Model A community.

The great Model A community was on full display recently in Mineral Wells during the 63rd Annual Texas Model A Tour. The event had 233 paid registrations and approximately 100 Model A cars and trucks. The host hotel, Crazy Water, did a wonderful job and all 18 members and guests from our club got to stay there. The accommodations, meals, events, games, and tours put on by the Ft. Worth Model A club were terrific and everyone from the GTA club had a great time. For a Texas June, the weather was about perfect—low to mid 90's, cloudy, and windy. We had seven Model A trucks and cars there, and overall they all ran pretty well. Nobody broke down and Ronnie Butler gets to keep the chicken for a while longer.

Our June luncheon at the Dairy Queen in Beaumont was a lot of fun. We got to take advantage of some meals that were on sale that included sundaes and blizzards. The next Last Thursday with the Prez is going to be at Hamburger Depot on July 30th at 11:30 a.m.

Don't forget on July 4th there is the Calder Place Parade in Beaumont and a chance to show off your Model A during this short neighborhood parade. Lineup starts at 8:30 a.m. and the parade starts at 9 a.m. It is quick and our Model As are well-received by the crowd every year. Our July club meeting is at Baytown Seafood on the 14th, and hopefully we will have a crowd there.

With about three months of very hot and humid weather still in front of us, it is important not to let your Model A overheat. So go check your radiator for water, coolant, and leaks before you drive it. Happy Motoring, Bob

Officers:

President: Bob Johnson (409)781-3078
V. Pres.: Dennis Weyant (409)651-5165
Secretary: Karen Parsley (409) 651-7878
Treasurer: Paul Smith (409)673-6318

Tour Chair: Bob & Pam Johnson (409)781-3078
Restorer Reporter:
Newsletter/Website/Facebook: Sylvia Butler (409)720-7315

Directors:

Wes Jones (409)722-0697
Wallace Harlow (409)720-7281
James Parsley (409)753-2523
Linda Patterson (409)728-1277



• All leaders must be MAFCA members
• GTA Membership application is on the website @
www.gta-texas.com

250 years of life, liberty, and the pursuit of happiness! One flag, one land, one heart, one nation, evermore!

GOLDEN TRIANGLE MODEL A's MEETING MINUTES
Elsa's Greek Grill, Beaumont, Texas
June 9, 2026

Lynne Parker led us in prayer.

Bob Johnson called the meeting to order and led us in the pledge to the flag.

Guests: none

Secretary's Report: The Secretary's report was approved as shown in the newsletter.

Treasurer's Report: The Treasurer's report was approved as given.

Newsletter Quiz: Several people answered and discussed the questions in the newsletter.

Mystery Part: **Paul Smith** brought the part. **Dallas Higgins'** ticket was drawn. He asked **TJ Parker** for help. The part was a Starter Bendix.

50/50 Drawing: **Bob Johnson's** ticket was drawn.

Tech Session: None scheduled.

Bob Johnson discussed the acting powers of being President and the chicken rules. **Bill Schroeder** then gave a speech and passed the chicken to **Ronnie Butler**.

The last Lunch with the Prez had to be cancelled due to conflicts with other things.

Bob Johnson took his coupe to **TJ Parker's** to help find an oil leak. As it goes – one thing led to another and they worked on: intake manifold, light switch on the dash and carburetor. It is ready for the Texas Tour.

If you have ordered a club shirt, Tina Lloyd will bring it to the Texas Tour.

There will be a Fashion Walk at the banquet on Saturday night at the Texas Tour. A photo shoot will be Friday morning at 9am.

Be sure to bring your lawn chair for the Ice Cream Social Friday night also.

Bill Schroeder won the door prize (courtesy of **Dorothy Burk**). It was a Model A Truck Bank.

Tours and Events:

June 11-14 – 63rd Model "A" Ford Texas Tour, Mineral Wells, TX

June 25 – Lunch with the Prez, 11am, Dairy Queen on Phelan in Beaumont

July 4th – Calder Place Parade – 9am

Next meeting will be on July 14 – Baytown Seafood, Groves, TX

Respectfully submitted by: Karen Parsley - Secretary



HAPPY BIRTHDAY

Elaine Bullard—9th
Kevin Parsley—23rd
Mary Domingue—25th
Pam Johnson—27th
Dennis Turner—30th



HAPPY ANNIVERSARY

Carl & Doris Price—17th

GOLDEN TRIANGLE A's 2026 CALENDAR

If anyone would like to sign up for a Dine & Drive, please contact Bob & Pam Johnson at 409-781-3078.
Saturday Dine and Drives: Dining may be breakfast or lunch. Details and time allowed for the events are set by host. It is best if the host gives members information for the Dine and Drive at a meeting prior to the event so it can be added to the club calendar. Eating at favorite restaurants, antiquing, trade days, festivals, car shows, visiting museums or gardens, and attending other local community events are all ideas for Dine & Drives.

<p>MAY 12th—GTA Meeting 31-June 7—2026 MAFCA National Convention in Pendleton, OR 28th-11:00 Thursday w/the Prez @ Nice Guy Ricky's, Lumberton</p>	<p>JUNE 9th—GTA Meeting 11-14th—Texas Tour in Mineral Wells, TX 25th-11:00 Last Thursday w/the Prez @ Dairy Queen, Beaumont</p>
<p>JULY 14th—GTA Meeting 30th-11:00 Thursday w/the Prez @ Hamburger Depot, Nederland</p>	<p>AUGUST 11th—GTA Meeting 27th-11:00 Last Thursday w/the Prez @ Novrozsky's, Nederland</p>
<p>SEPTEMBER 8th—GTA Meeting 12th—International Model A Ford Day 18-19th —15th Annual Model A Days, Hickory Corners, MI 24th-11:00 Last Thursday w/the Prez @ Neches River Wheel House, Pt. Neches</p>	<p>OCTOBER 13th—GTA Meeting 29th-11:00 Last Thursday w/the Prez @ Schooners Restaurant, Nederland</p>
<p>NOVEMBER 10th—GTA Meeting 26th—Thanksgiving</p>	<p>DECEMBER TBD—GTA Christmas Party 10-12th—National Awards Banquet in Cincinnati, Ohio</p>

Seems Henrietta has a new home. She has moved in with Ronnie Butler. Ronnie had trouble getting his truck started on the St Anthony Bascilla tour in April. Bill Schroeder passed her to Ronnie at the June meeting.



The June "Last Thursday with the Prez" was the 25th at Dairy Queen on Phelan in Beaumont. Nine members driving 2 Model A's enjoyed lunch and getting together again!



17 members and one guest attended the 63rd Model A Ford 2026 Texas Tour in Mineral Wells on June 11-14. It was a great tour and everyone had a good time! Thanks to Karen and Bob for sending pictures!



The host hotel was the historic Crazy Water Hotel. There was a Early Bird tour on Thursday to Possum Kingdom Lake and the Welcome Dinner was Thursday evening in the hotel ballroom. Later we gathered on the hotel roof top.



How do you end the first day of the 2026 Texas Tour in Mineral wells? Well, Bob Johnson brought some of Bill Schroeder's home brew to share. These guys downed 4 jars!



Friday's tour took us to Weatherford, Texas to shop and visit the sites around the town. Great market, shops, and museums.





Friday evening was the Ice Cream Social and “Club Feud” Game. Sylvia, T.J. and Kevin were “drafted” to be the players for our club. We did not win. :(

Tom Smith (Paul’s Brother) was the lucky winner of the Friday evening 50/50 drawing!



The Grand Tour was on Saturday. We gathered in the parking lot to leave. We looked good in our blue tour shirts! The tour took us through some beautiful country with a stop at the W.K. Gordon Center for Industrial History of Texas.



Joan Higgins celebrated her birthday on Saturday. So, at the Farewell Banquet, everyone sang Happy Birthday to her to help her celebrate!

Of course, we had to have a group picture before leaving. We had all 18 from our club and seems we added one additional special member to our group. Our friend, Scarecrow, wanted to be in our picture! (In front with rose in his mouth!)



Six members participated in the Fashion Walk at the 2026 Texas Tour in Mineral Wells. Paul and Kathy Smith, T.J. and Lynne Parker, and Ronnie and Sylvia Butler. There were participants from other clubs as well. We all had a good time!



The 2027 Texas Tour will be June 24-27 in Canton, Texas. Most of the members planning to attend have decided to stay at the Best Western listed on the flyer. They have breakfast, trailer parking, and are pet friendly. Be sure to ask for the Texas Tour hotel rate. PLEASE NOTE....THE CORRECT PHONE NUMBER IS 903-567-6591.



JUNE 24-27, 2027
64TH TEXAS TOUR
HOSTED BY CEDAR CREEK
AND TYLER MODEL A FORD CLUBS

On the Road Again to

Canton, Texas –

Home of 1st Monday Trade Days

64th Texas Tour, June 24-27, 2027



**Silver Spur Resort
Cabins & RV Spaces**
Choose one of our 15 cozy cabins, a perfect choice for a couple or small family. Each cabin style varies slightly but comes with the same modern amenities: a king, queen, or two twin beds, a queen pull-out couch, small kitchenette with coffee maker, and comfortable bedding. NO television for ultimate relaxation. Pets allowed

\$149 for double (13)
\$50-55 for RV spaces

Trailer parking available

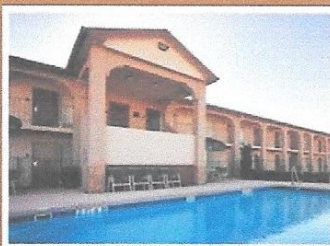


SILVER SPUR RESORT

13785 TX-19, Canton TX 75103

Reservations: 903-420-1400

Website: thesilverspurreSORT.com



BEST WESTERN CANTON

2251 N Trade Days Blvd
\$85 + tax per night
48 rooms blocked
Trailer parking
Pets allowed
No smoking
903-587-6591



QUALITY INN CANTON

2405 N Trade Days Blvd
K - \$75 + tax per night
DQ - \$80 + tax per night
10 K 20 DQ rooms blocked
Breakfast included
Pets allowed
No smoking
903-287-0401



RED ROOF INN

17350 I-20
\$74.99 + tax per night
No breakfast
30 rooms blocked
Pets allowed
Trailer Parking
No Smoking
903-587-8587



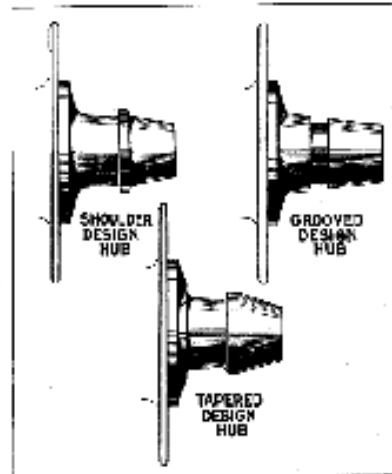
DAYS INN

17299 S I-20
\$65 + tax per night
No breakfast
30 rooms blocked
Pets allowed
Trailer Parking
No Smoking
903-251-3074

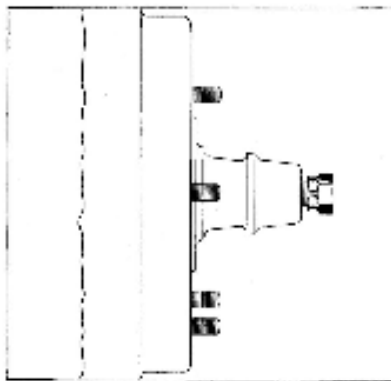
Registration, Hospitality, Raffle Items & Group Events will be held at the Silver Spur Resort Barn
Herman Dentler, Tour Chairperson: dentl6@yahoo.com (Cedar Creek & Tyler Clubs); Larry Buck, Co-Chair (Tyler Club)
Registrar, Nancy Cheshire: nmcheshire@yahoo.com or 972-279-4786 Website: www.texastour2027.com

Jim's Tech Tips
"Use of Rear Axle Hub Puller"

There were three different styles of rear hub used on the Model A: Two styles have a ridge that sticks out of the rear hub, so that a puller can attach over it. The third hub style has a groove in it that a hub puller sits down in to attach. In all cases, you tighten the big bolt against the end of the axle, then hit the bolt head with a hammer, to pull the hub off of the tapered axle shaft.



There is another style of universal hub puller that attaches to 3 of the wheel lugs. It also has a center bolt that you tighten against the end of the axle and strike with a hammer to free the hub



In ALL cases, if you are pressing and striking the end of the axle shaft, you need to remove the big castle nut from the end of the axle, turn the nut around, and screw it back on to the axle almost all the way. Or use another big nut that you have in the shop that matches the axle threads (5/8"-16). This puts the big bolt that you are hitting with a hammer striking the nut instead of the axle itself. This protects the end of the axle shaft from getting distorted.

I hope this helps you get your rear hubs off without damaging anything.

Until next time... *Have a Model A Day!*

Jim Cannon

CHAPTER LOAN PROGRAM

Tools

Distributor Puller
Steering Wheel Puller
Wheel Hub Puller
Brake Lining Tool
Ratchet Nut Wrench
Brake Centering Tool
Rear Spring Spreader
Front Spring Spreader
Door Hinge Pin Remover
Gas Gauge Tool
Timing Tool
Frame Spreader

*To borrow Tools contact
Bob Johnson at 409-781-3078

Books & Videos

Model A Paint Guide
Rebuilding Steering
Rebuilding Shocks
Yokohama A's
2008 World Meet
48th Texas Tour #1
48th Texas Tour #2
2011 Gulf Coast Tour
Tech Session, Engine Install

*To borrow books & videos, contact
Dennis Weyant 409-651-5165



Members are encouraged to take advantage of our loan program but do so at your own risk.
If unsure of the proper and safe operation of a tool be sure to get help before using them.
Return all tools and videos, in clean and in proper working order.

Golden Triangle Model A Club Dues

Annual Fees: Make Checks Payable to: Golden Triangle Model A Ford Club

***New Member \$20.00 or postmarked after Dec 31 (pro-rated) *Returning Member paid or postmarked on or before Dec. 31-\$20 *Returning Member paid or postmarked after Dec. 31-\$25.00**

GIVE or MAILTO: PAUL SMITH
1162 Tom Easley Road
Kountze, TX 77625

Model A Ford Club of America (MAFCA) Join on line at MAFCA.COM ~Membership Benefits~ The Restorer magazine • Technical Support • Local Chapters • National Meets • Era Fashion Guidelines • “How to Restore Series • Judging Standards and Restoration Guidelines ~ Dues per year are U.S. Membership - \$50; Canada/Mexico Membership - \$60; International Membership - \$70
Make checks payable to Model A Ford Club of America

Name _____ Spouse's Name _____

Address _____ City _____

State _____ Zip _____ Country _____ Telephone _____

Permission to publish my telephone number in future Membership Rosters? Yes: ___ No: ___

Return this Form and Payment to MAFCA 250 South Cypress • La Habra, CA 90631-5515 ~ Optional Initiation Package For New Members Only 1—Back issue of The Restorer 1—MAFCA Lapel Pin 1—MAFCA Decal—1 Name Badge ~ Only \$10 extra

NEWSLETTER QUIZ

1. Where and when is the 2027 Texas Tour?
2. Who does Henrietta live with now?
3. How many attended the Texas Tour in Mineral Wells?
4. Who participated in the Era Fashion Walk in Mineral Wells?
5. How many styles of rear hubs were used on the Model A?
6. If you are pressing and striking the end of the axle shaft, what do you need to remove from the end of the axle?
7. What was the mystery part at the June meeting?
8. What does Bob say to do to your radiator?

THE ANNUAL CALDER PLACE
4TH OF JULY PARADE will be
held again this year on the 4th. Our
Model A Club is invited to join the
parade. Line up is a 9:00 A.M. at
the same place as last year. You are
welcome to decorate your car for the
parade. Refreshments will be served
after the parade.
Contact Bob Johnson for more information.





Golden Triangle A's On Tour

Golden Triangle A's
750 Countrywood Circle
Sour Lake, TX 77659

