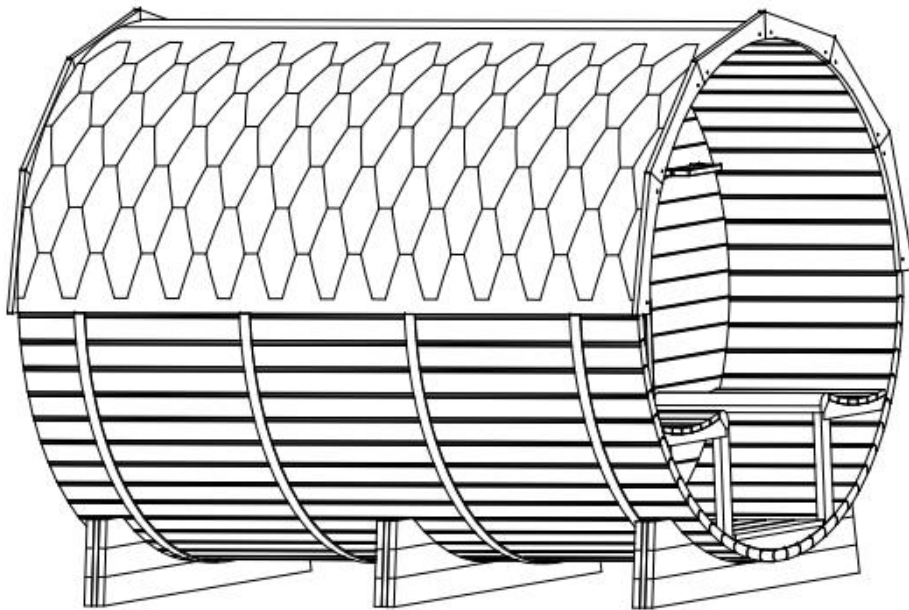


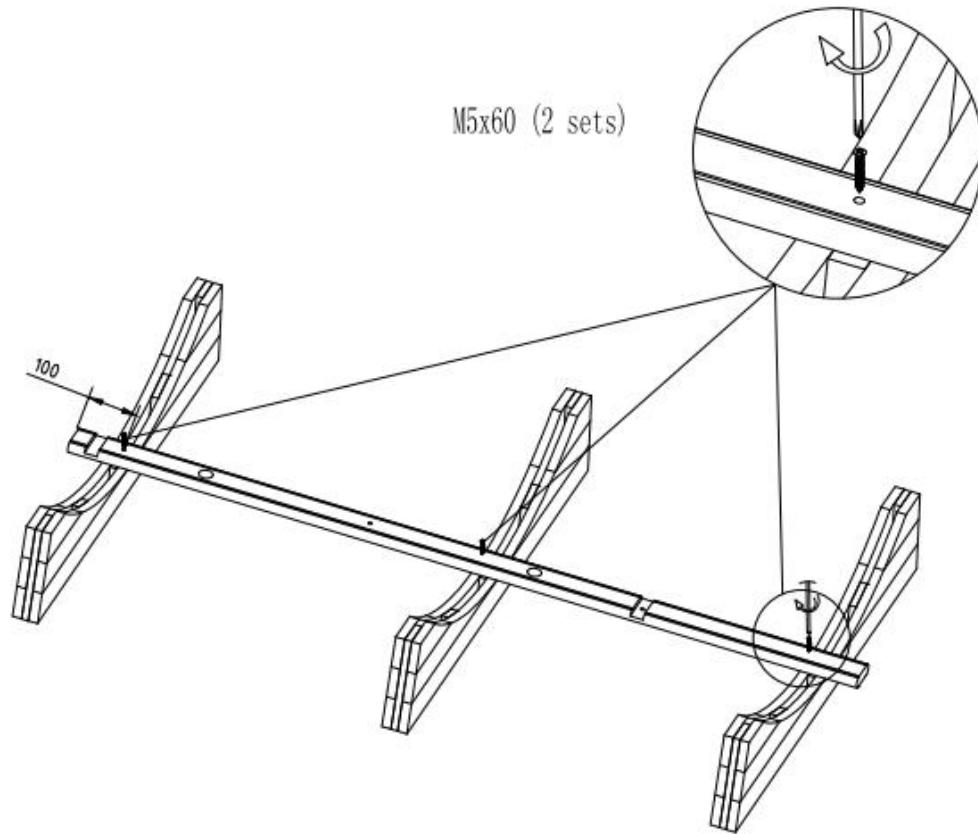
GM Outdoor Living Barrel Sauna User Manual

(Illustrated with Porch option and Electric Sauna heater, the
installation for other models are similar)



GM
OUTDOOR LIVING

1.

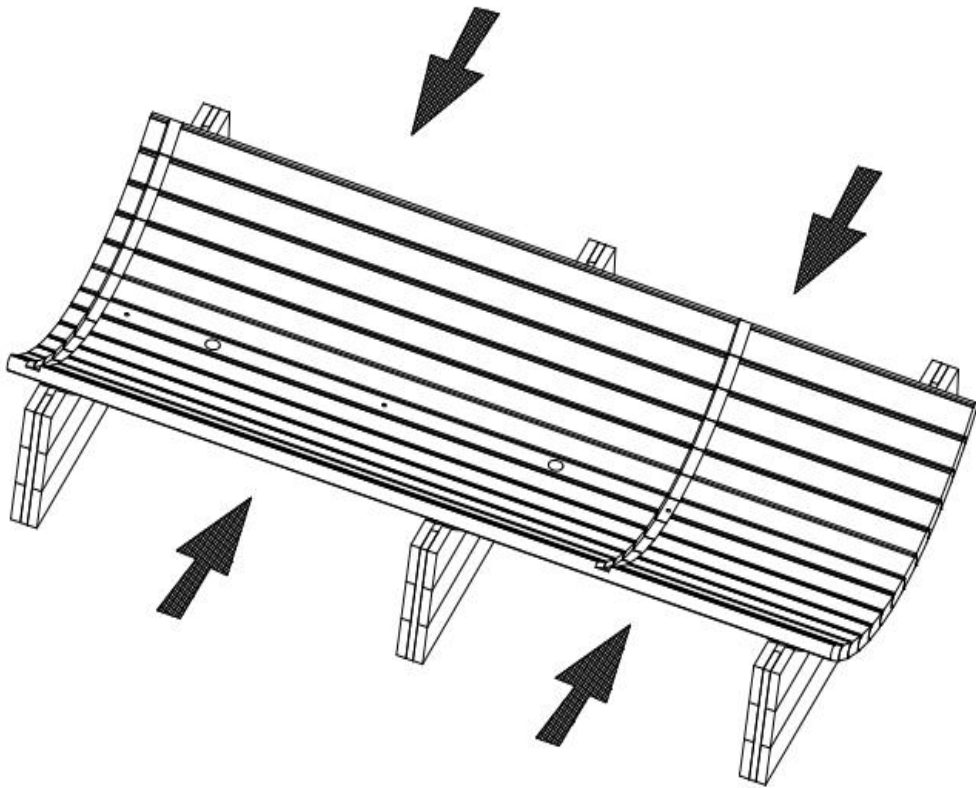


Make sure the installation site surface is level and firm.

Evenly place the base cradle.

Identify the drain stave which has a hole cut into its center. Then fix the drain stave on the cradles with screws provided.

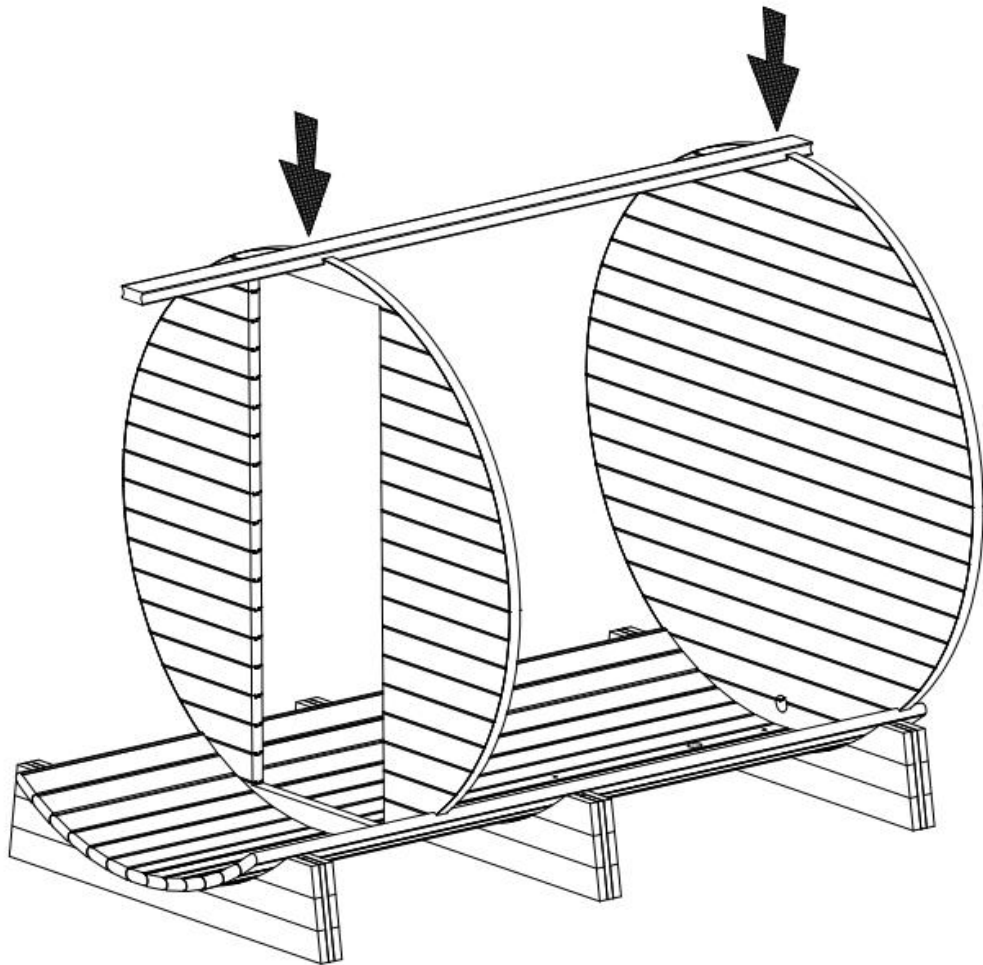
2.



Lay out additional staves on each side of the drain stave up to end of the cradle base.

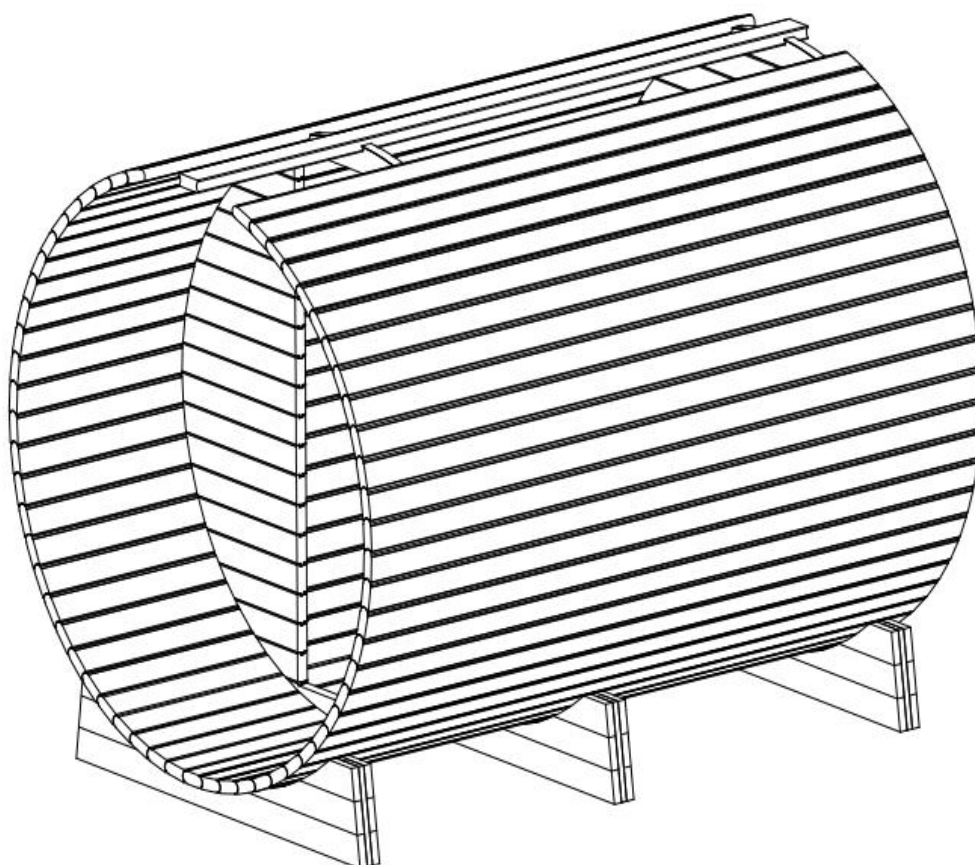
Make sure that all the grooves are lined up on all pieces. Use a rubber hammer gently adjust the staves.

3.



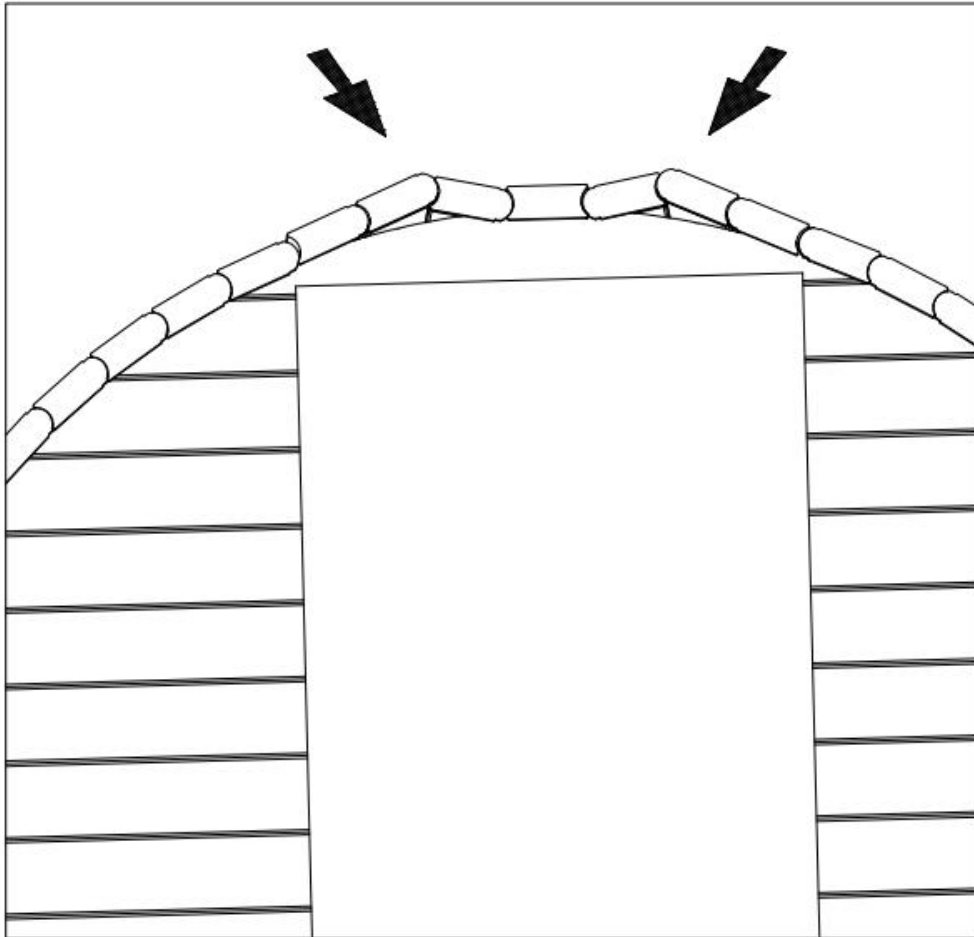
Place one stave on top to support the front wall and back wall from falling apart.

4.



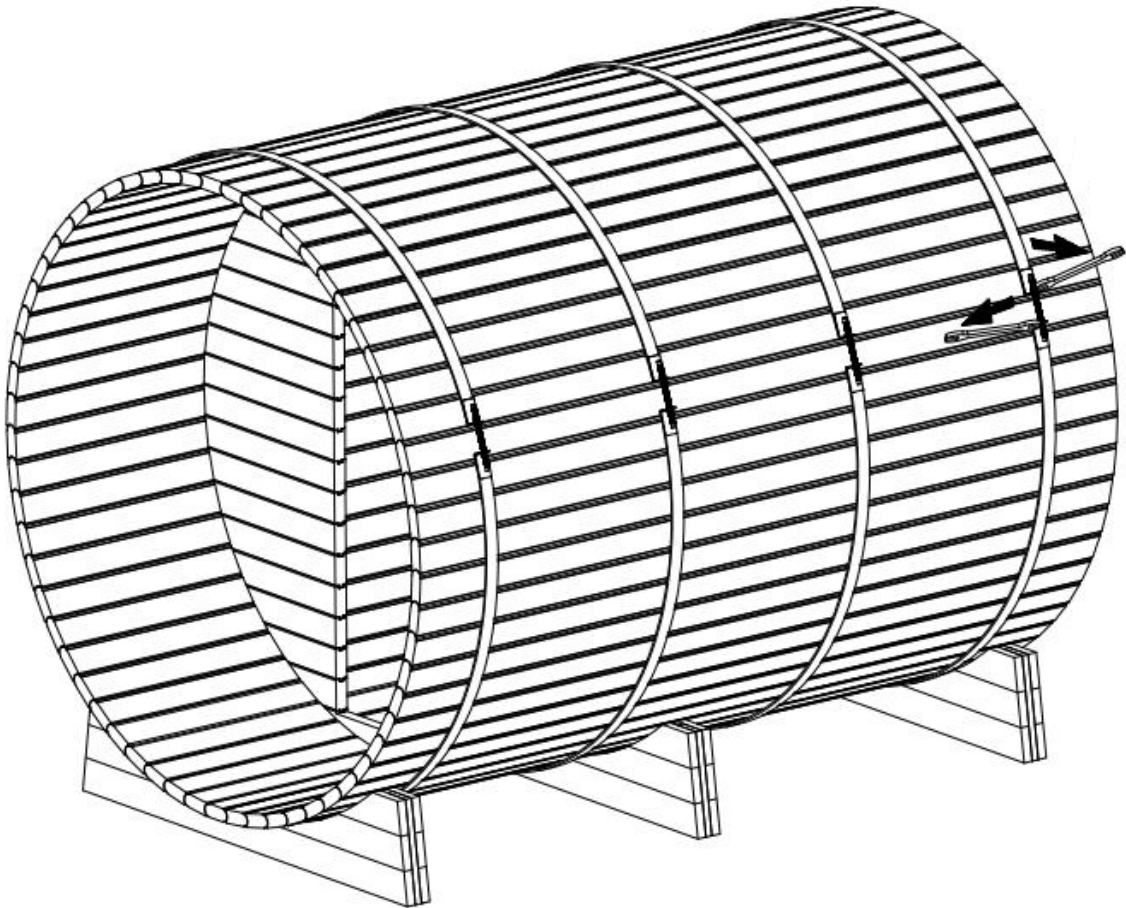
Lay out additional staves on each side.

5.



Fill in as many staves as possible, tilt some staves to provide more space if needed. It will seem like you have too many staves in place, but this is good as the bands will then draw them down and tight to the end sections for the best possible seal.

6.

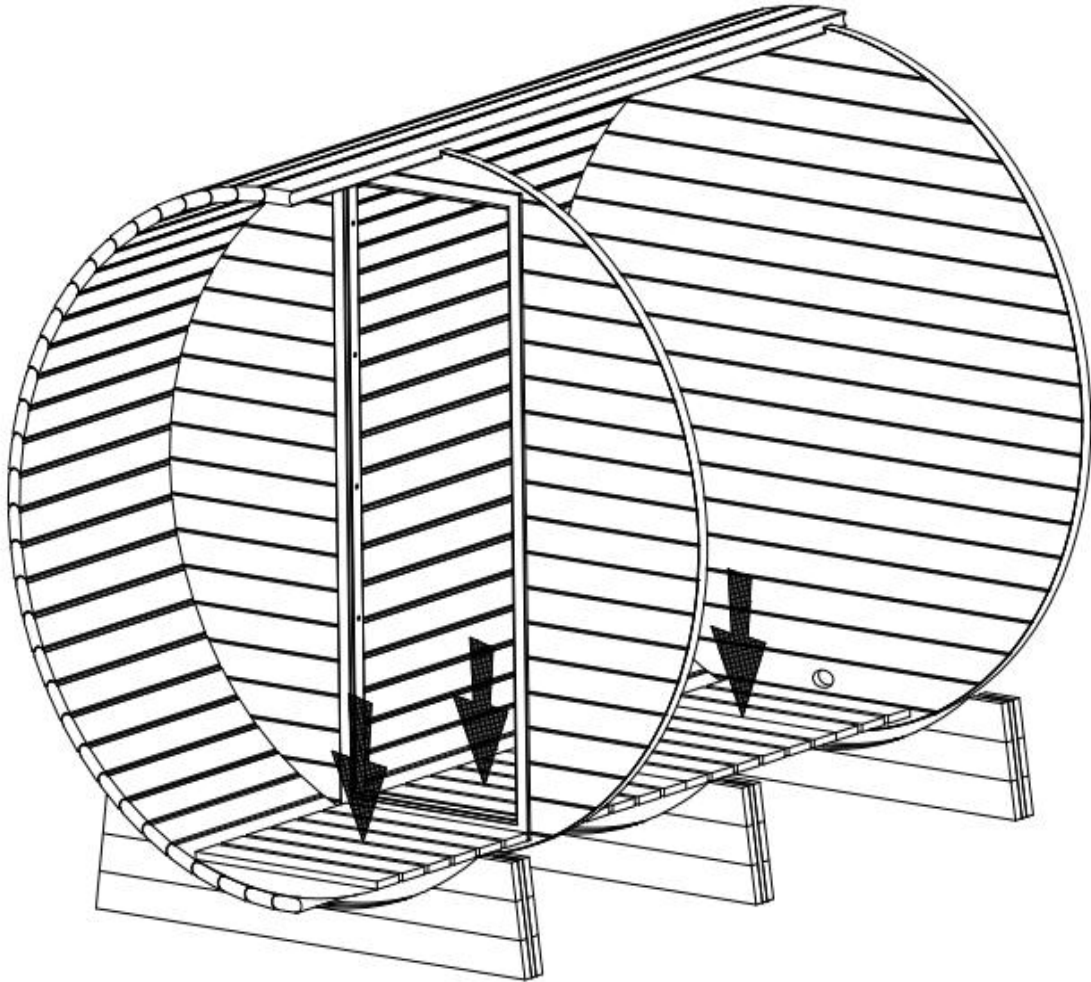


Place the stainless steel bands around sauna, spaced evenly apart. Insert threaded rod through the bracket.

Tighten nuts evenly so that the bands are of equal tension. Before tightening nuts, check to make sure bands are still even. At the same time, use rubber hammer to push tilted staves back in position as you tightening the nuts.

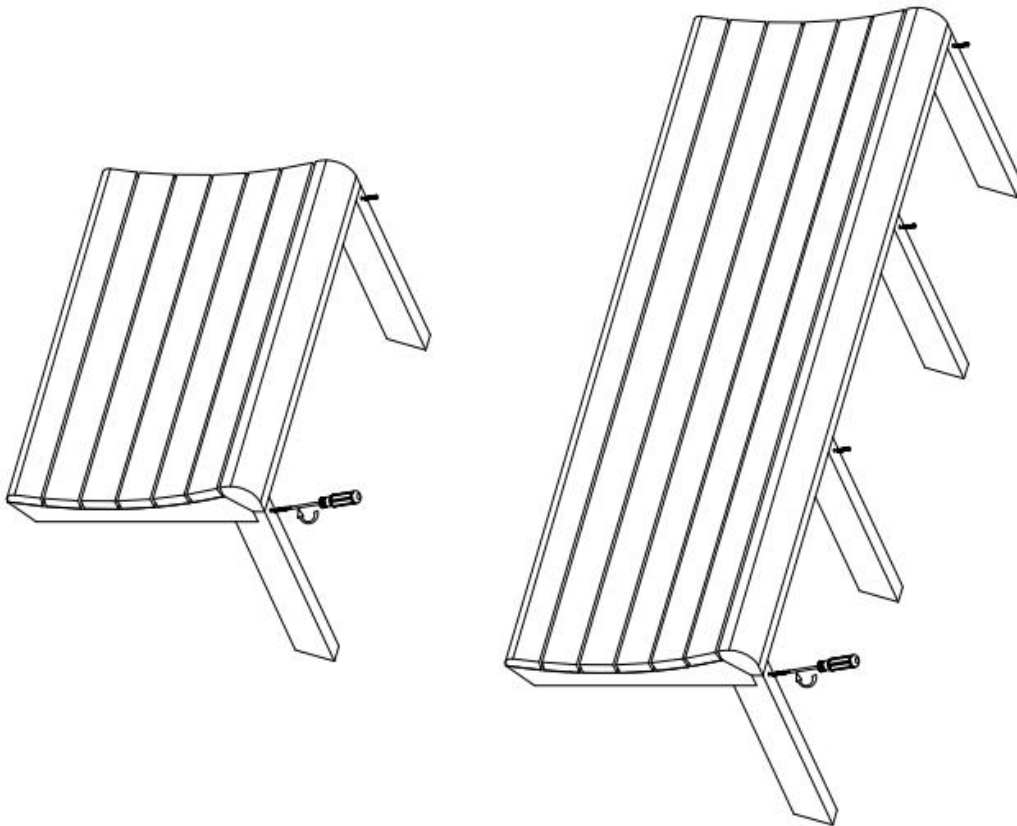
Wood will expand during summer after absorbing moisture and shrink during winter when it is dry, so you might need to adjust the nuts accordingly.

7.



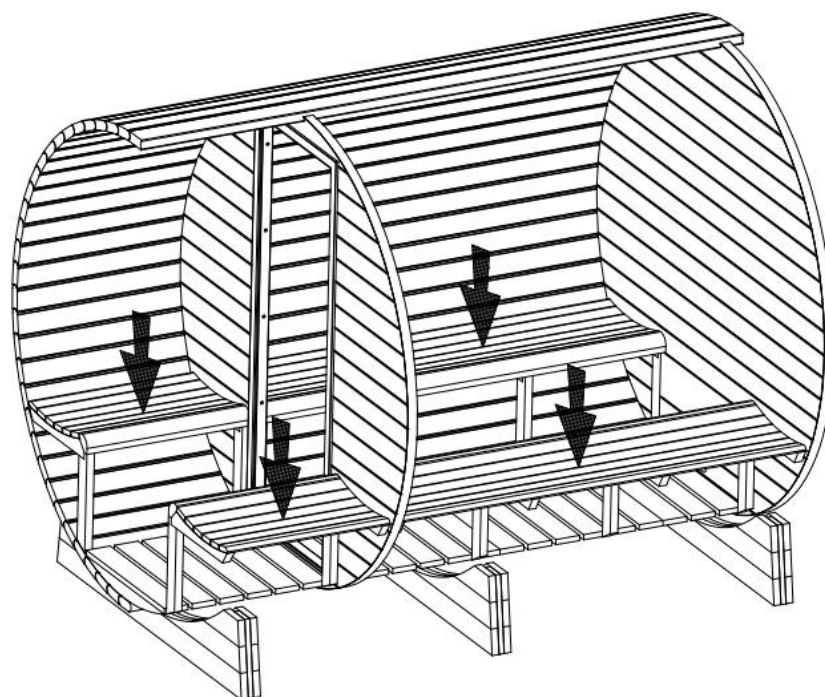
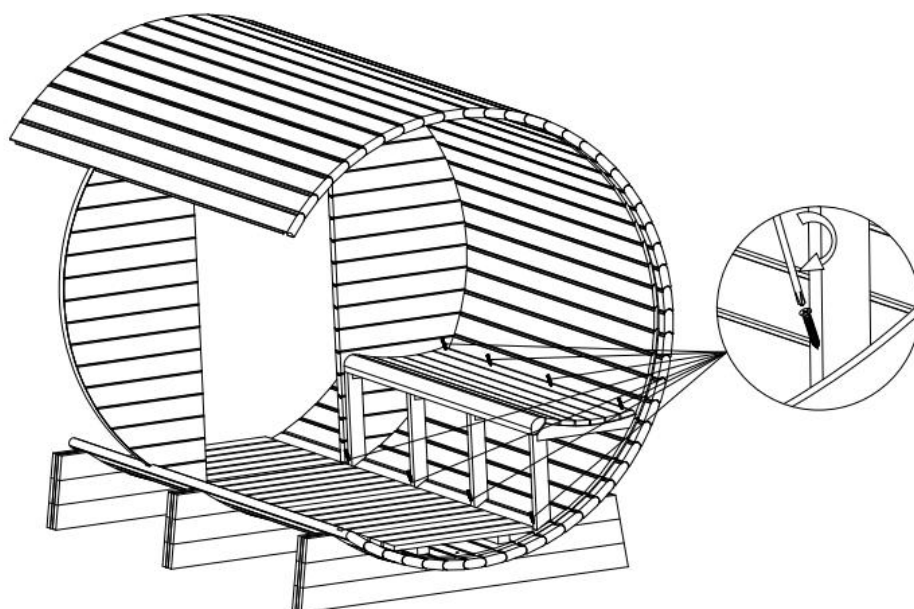
Place the floor panel in position.

8.



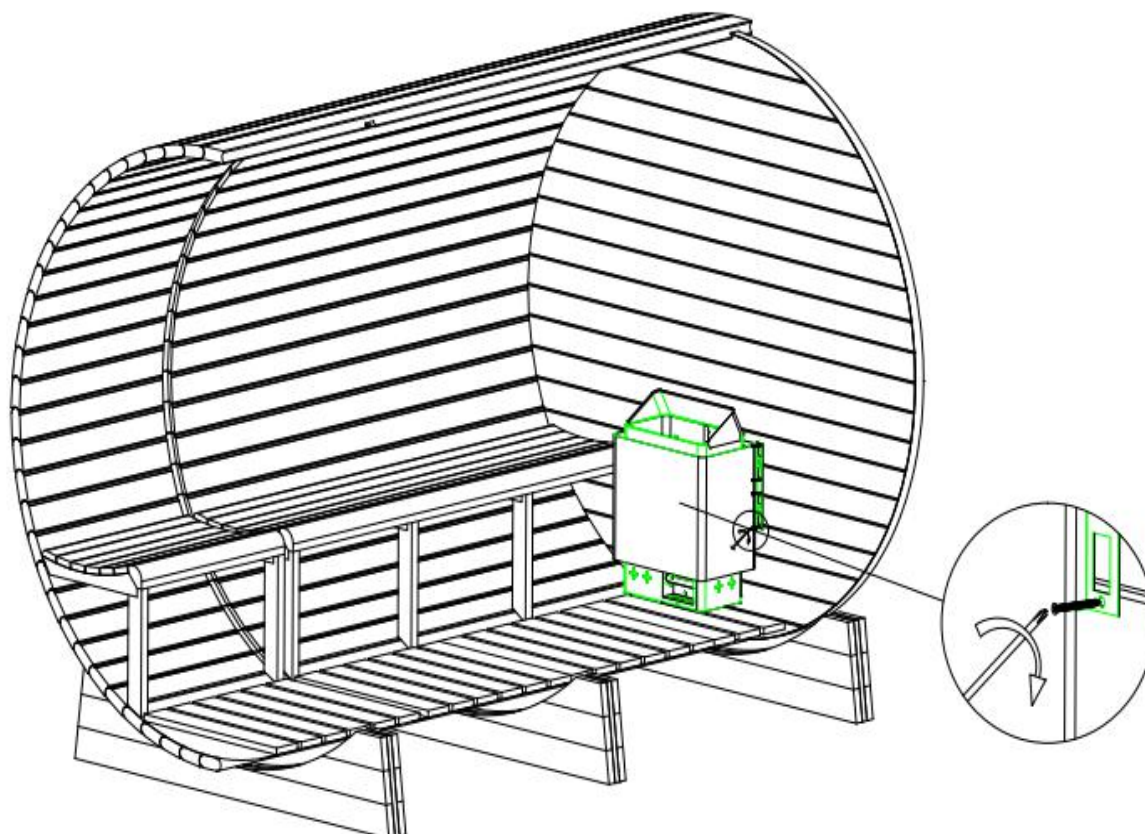
Assemble the benches and outside chairs.

9.



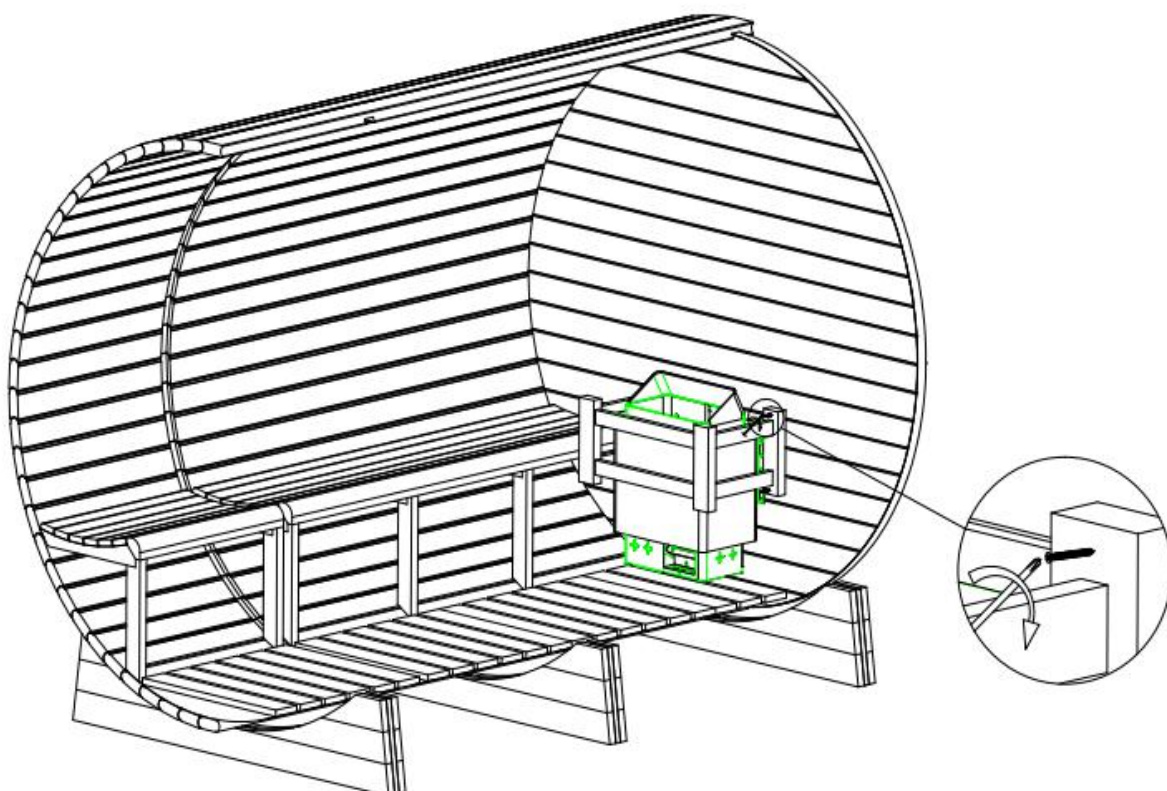
Install the benches and outside chairs in the sauna.

10.



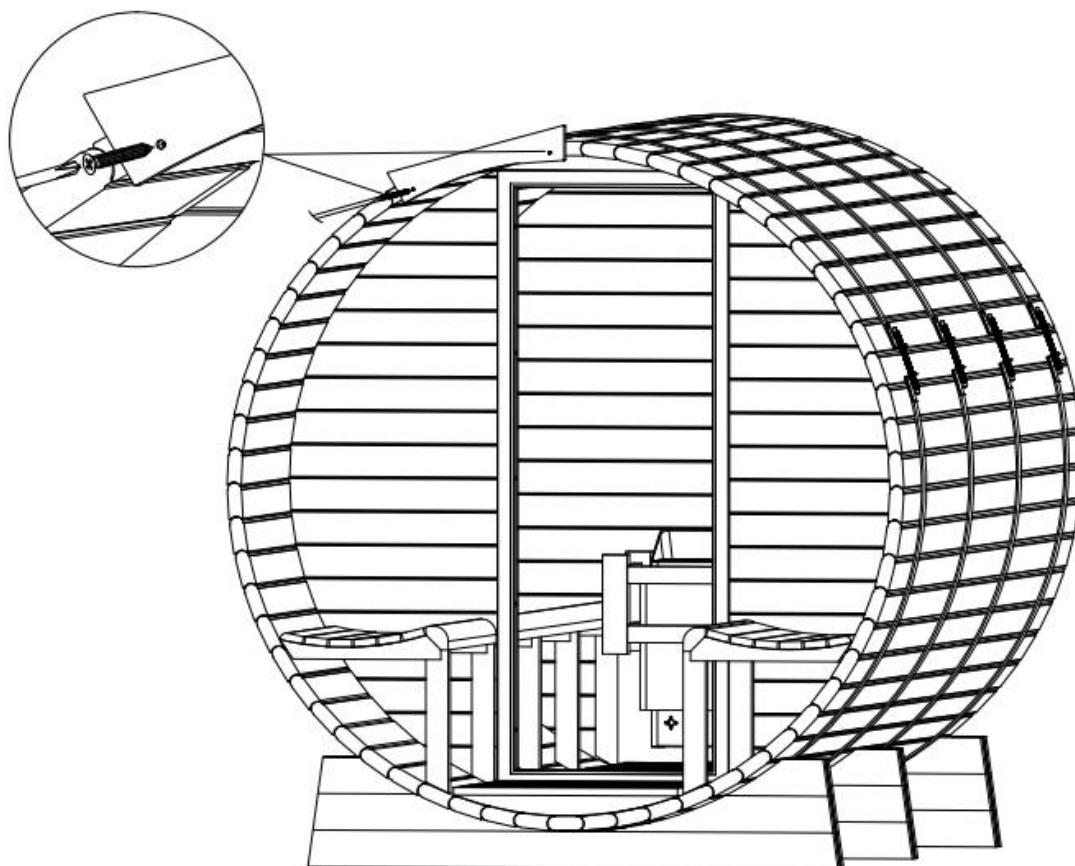
Install the electric sauna on the back wall. Please refer to the sauna heater instruction manual for sauna heater installation.

11.



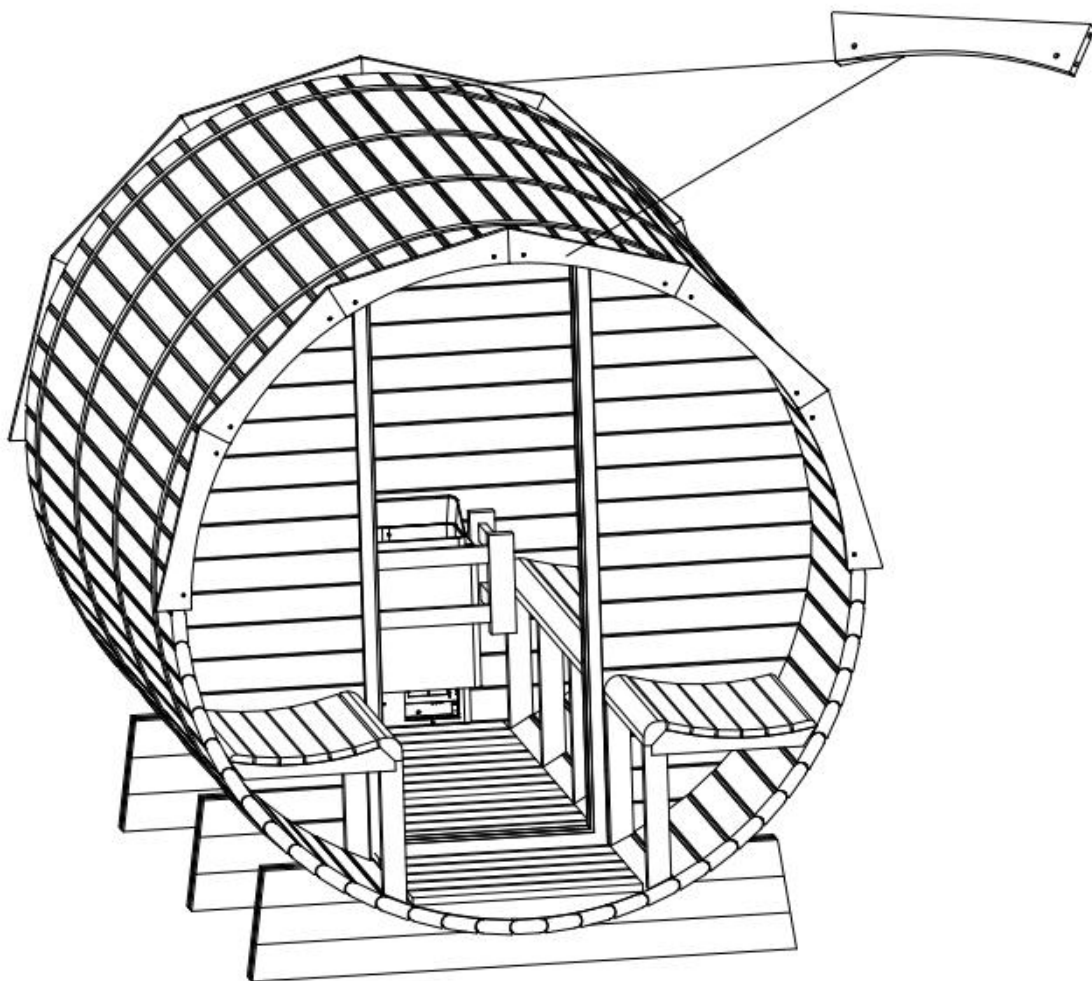
Install the heater guard on the back wall around the sauna heater.

12.



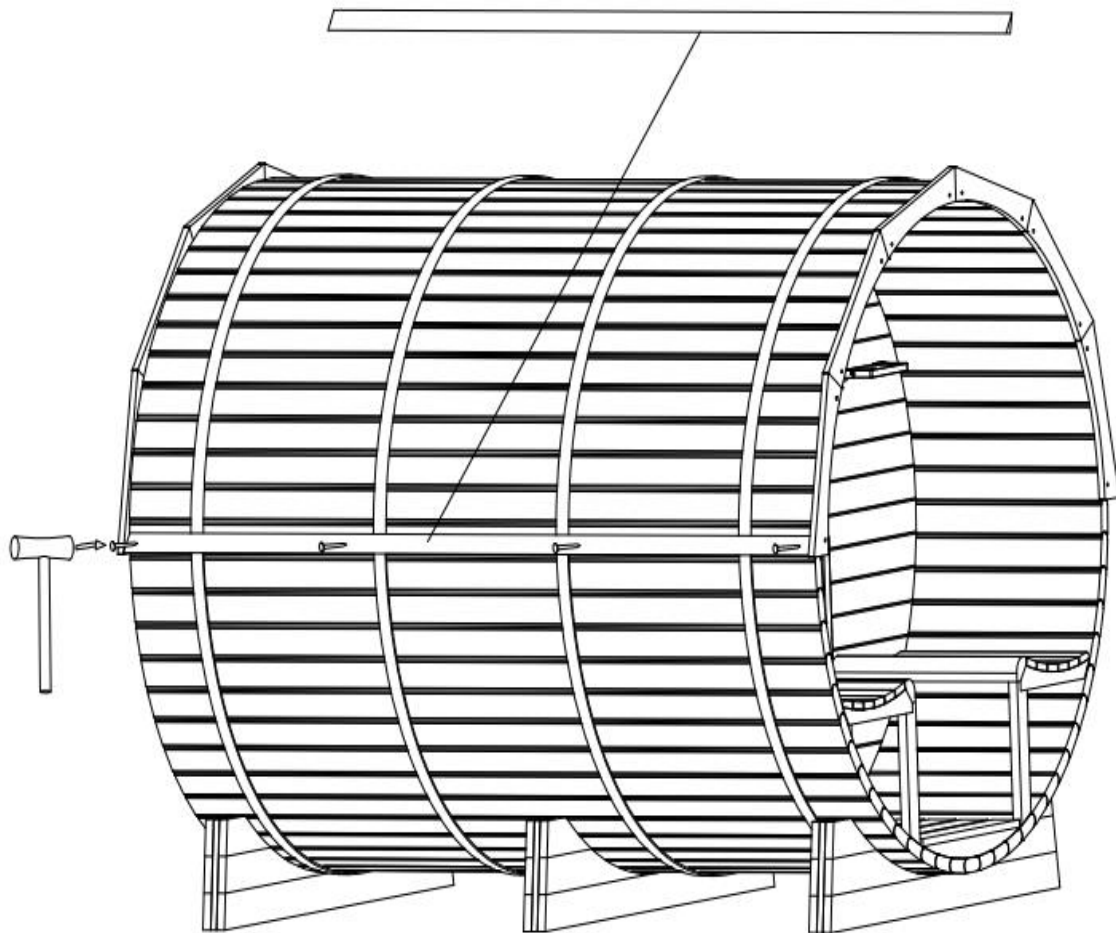
Install the front covering panel

13.



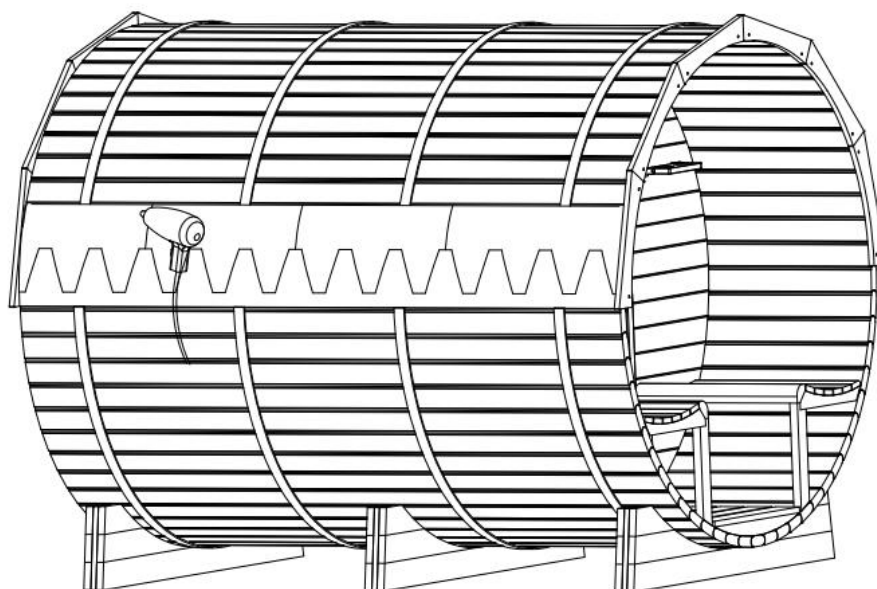
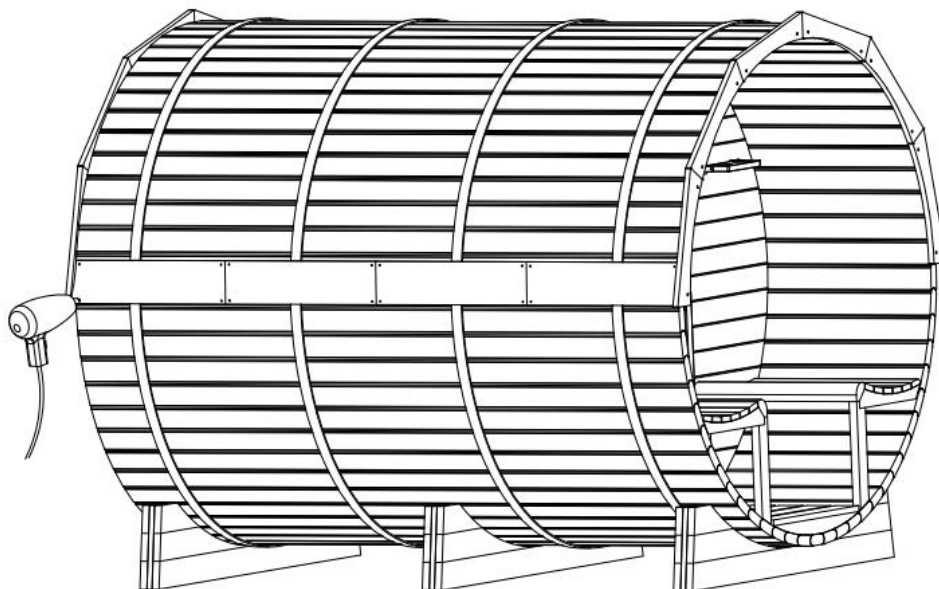
In the same way, install the back covering panel.

14.



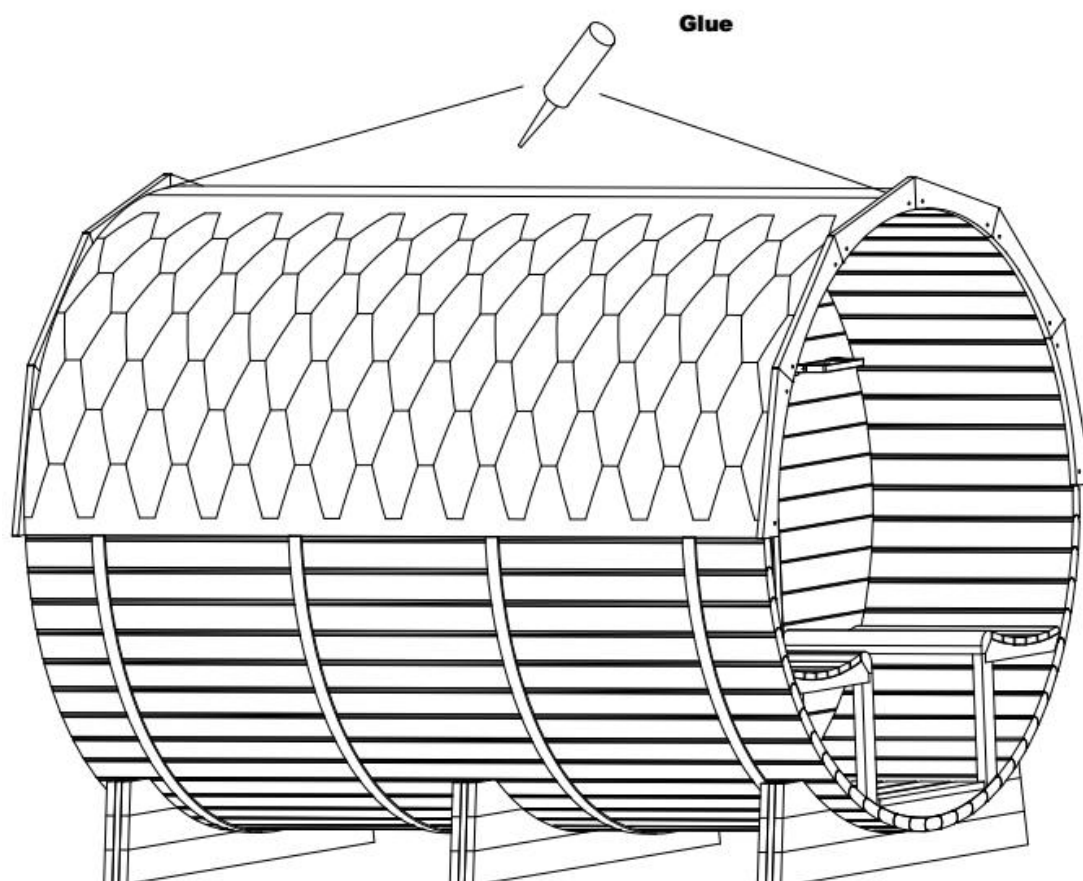
Install the wood bar provided, align with the front and back covering panel.

15.



The glue at the back of the shingle will melt under heat, so please prepare a dryer. Fix the first shingle on the wood bar with small nails(not provided), then use dryer to melt the glue. Place another piece on top with the jagged side pointing down, melt the glue with dryer.

16.



Apply silicon glue between the shingle and covering panels to prevent water penetrating through.