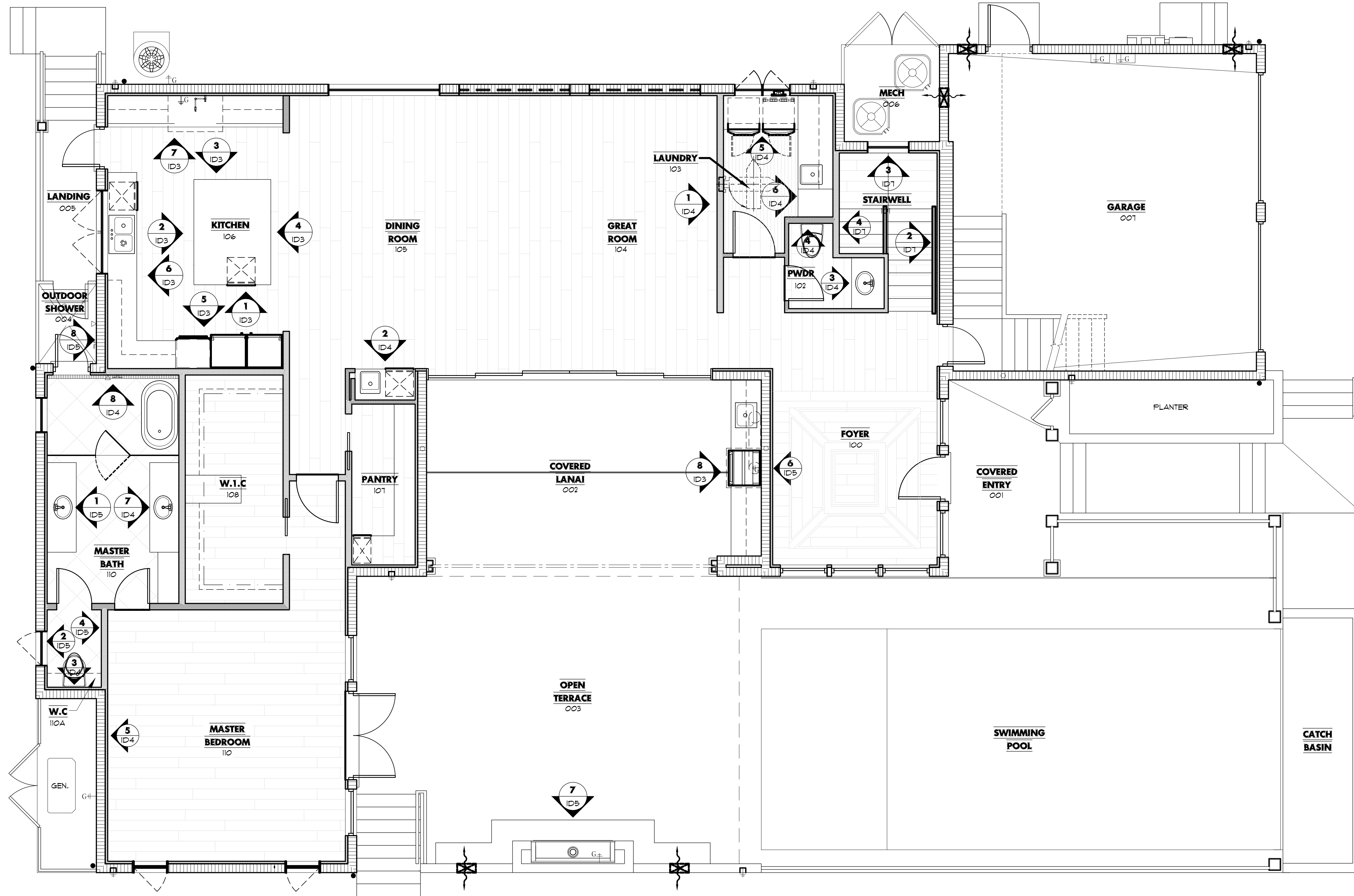


NOTE:
SCHEDULES SHOWN ON FINAL SET



MAIN LEVEL FLOOR PLAN (ELEVATIONS)

SCALE: 1/4" = 1'-0"



UPPER LEVEL FLOOR PLAN (ELEVATIONS)

SCALE: 1/4" = 1'-0"

DATE: 08 - 01 - 22

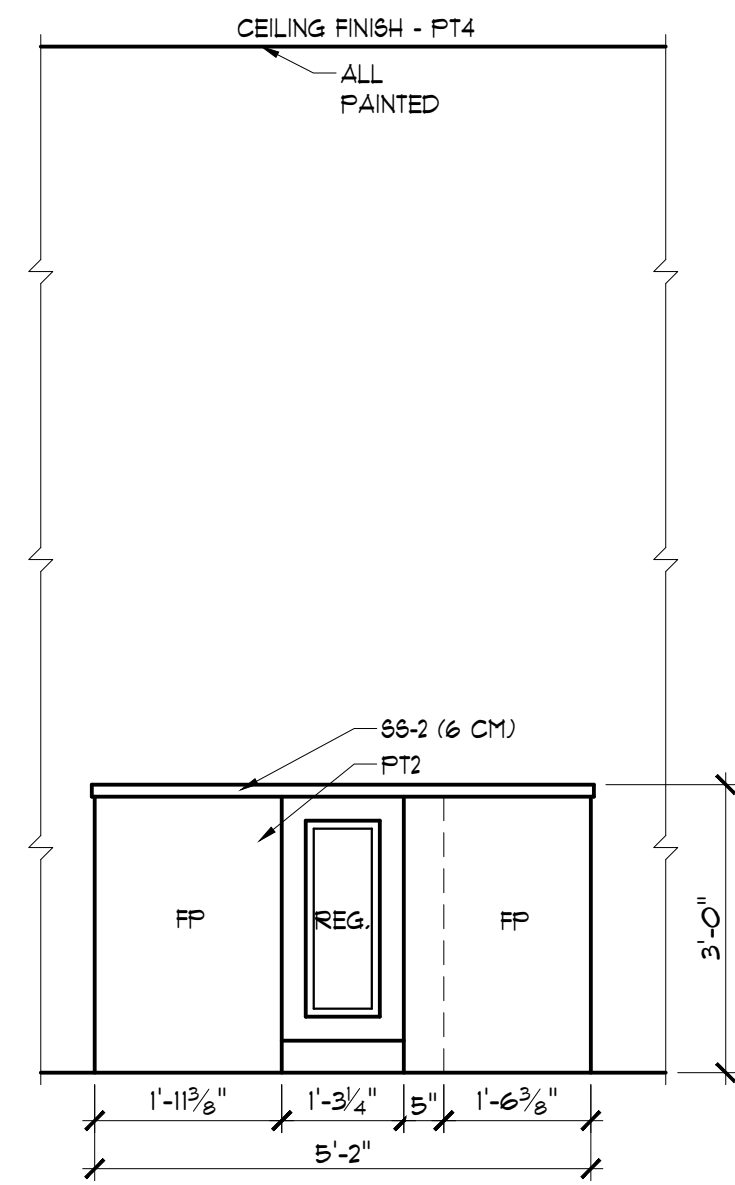
SCALE: AS NOTED

DRAWN: J.A.R.

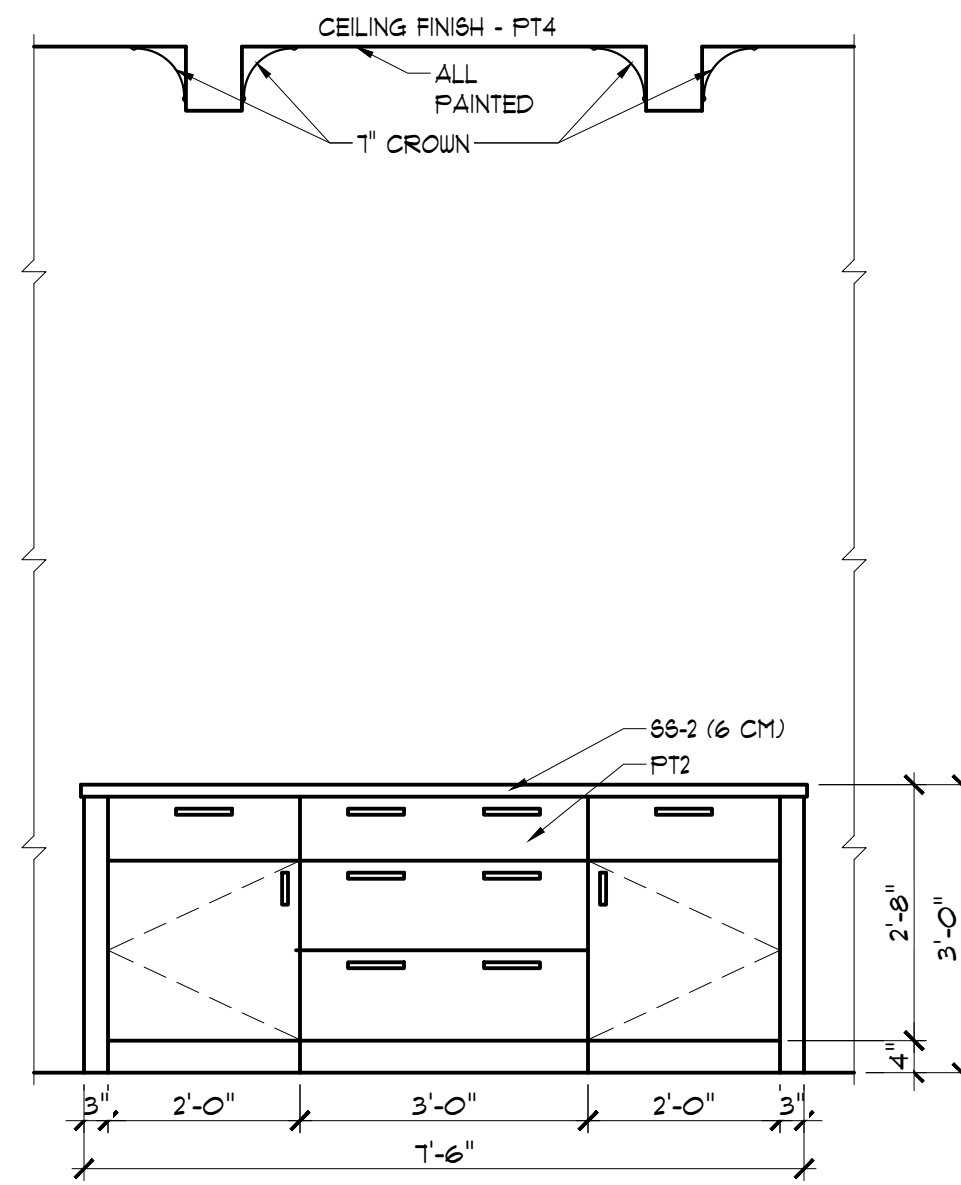
JOB:

SHEET NO.:

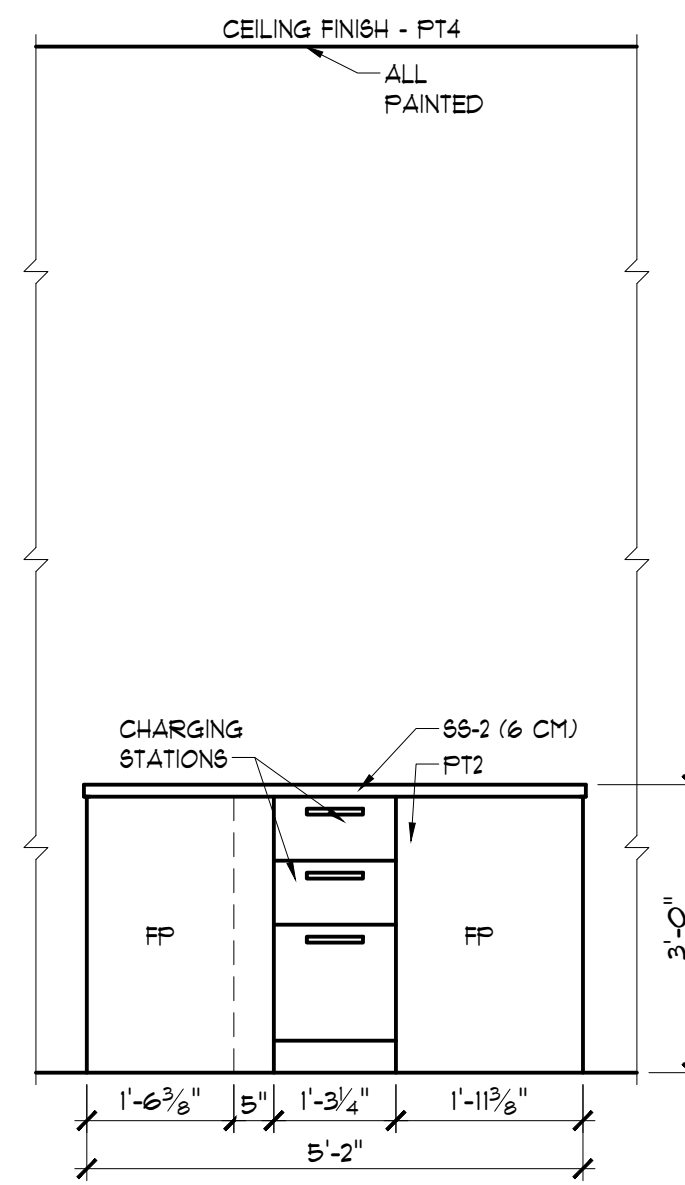
**ID
2.1**



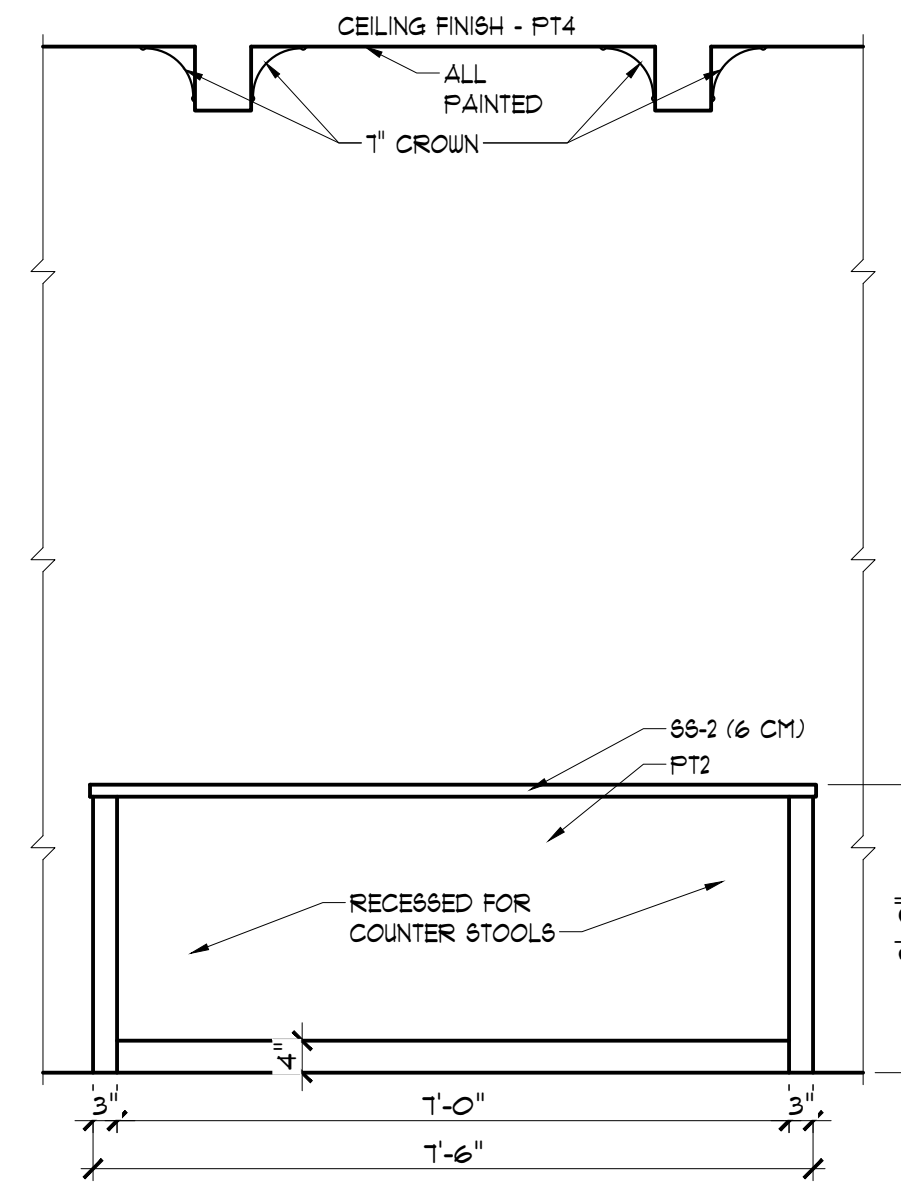
KITCHEN - ISLAND 1
SCALE: 1/2" = 1'-0"



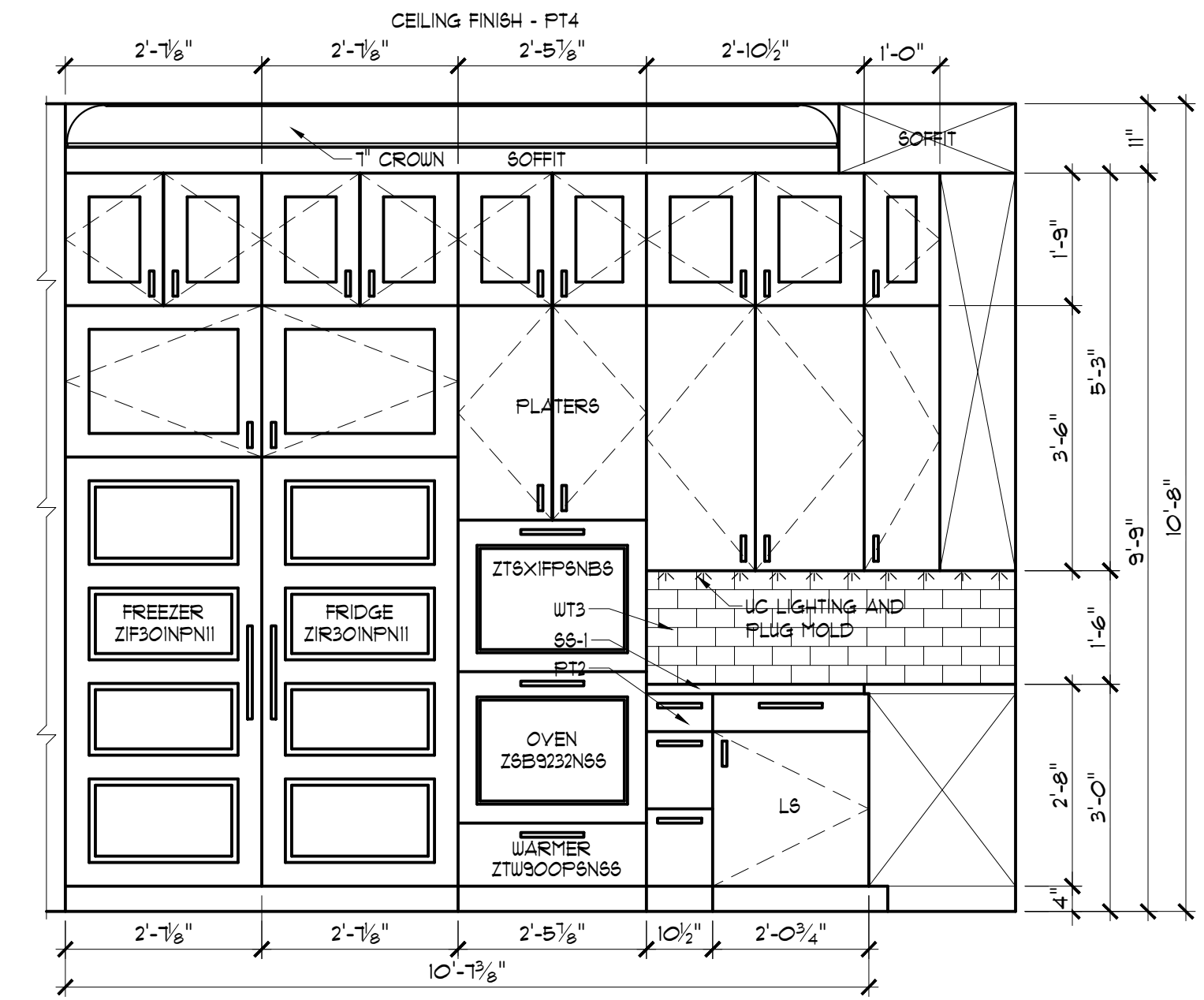
KITCHEN - ISLAND 2
SCALE: 1/2" = 1'-0"



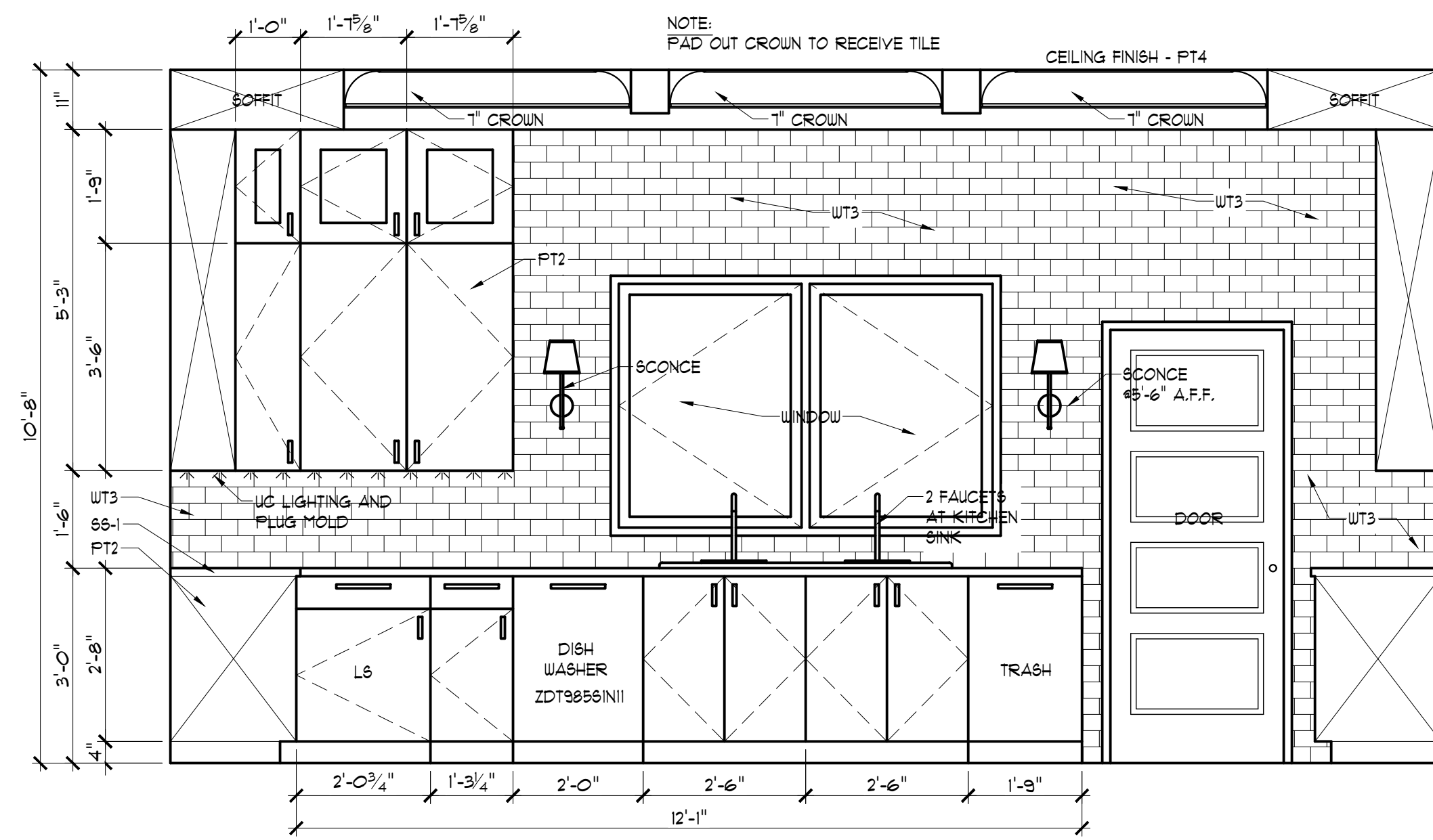
KITCHEN - ISLAND 3
SCALE: 1/2" = 1'-0"



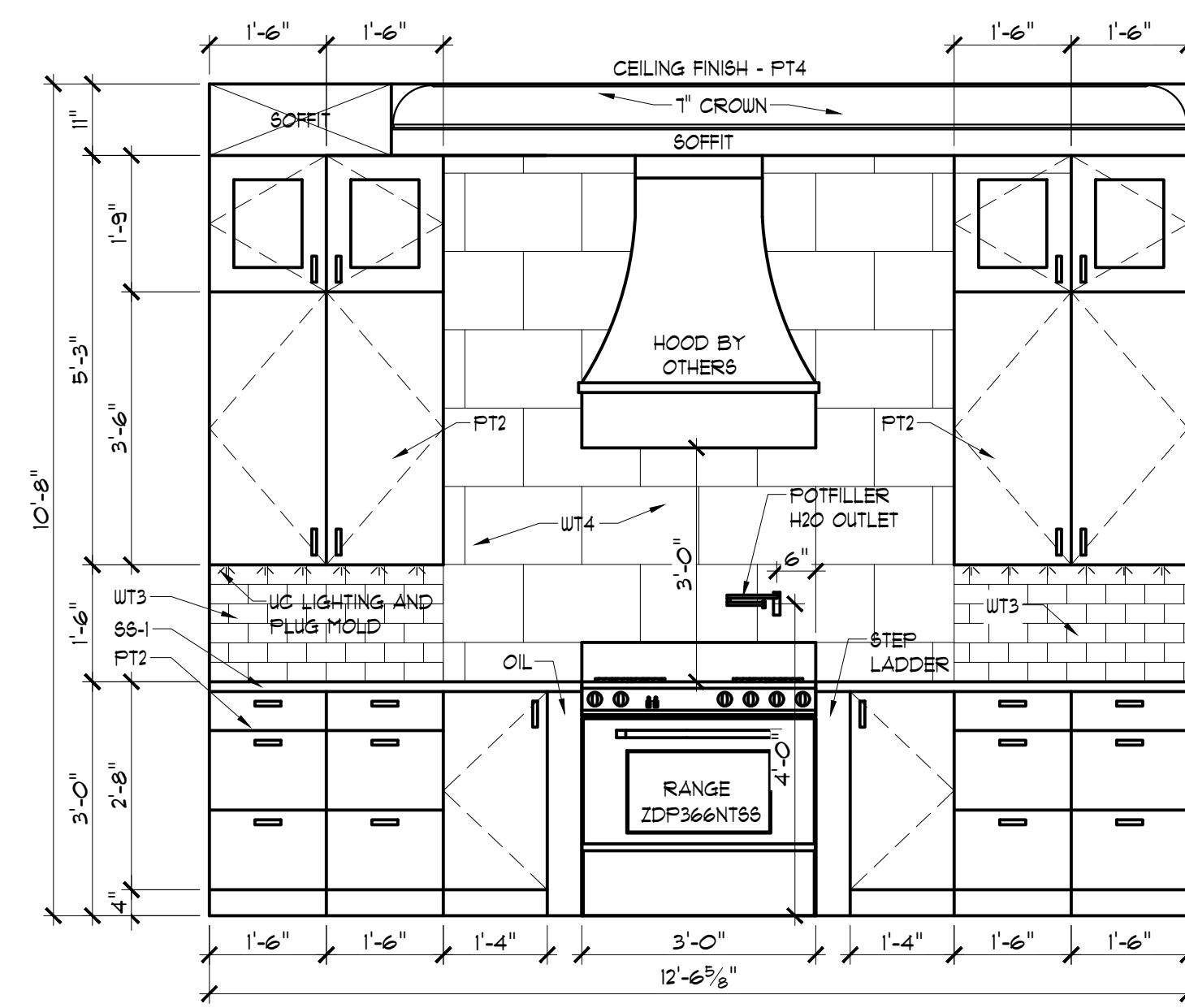
KITCHEN - ISLAND 4
SCALE: 1/2" = 1'-0"



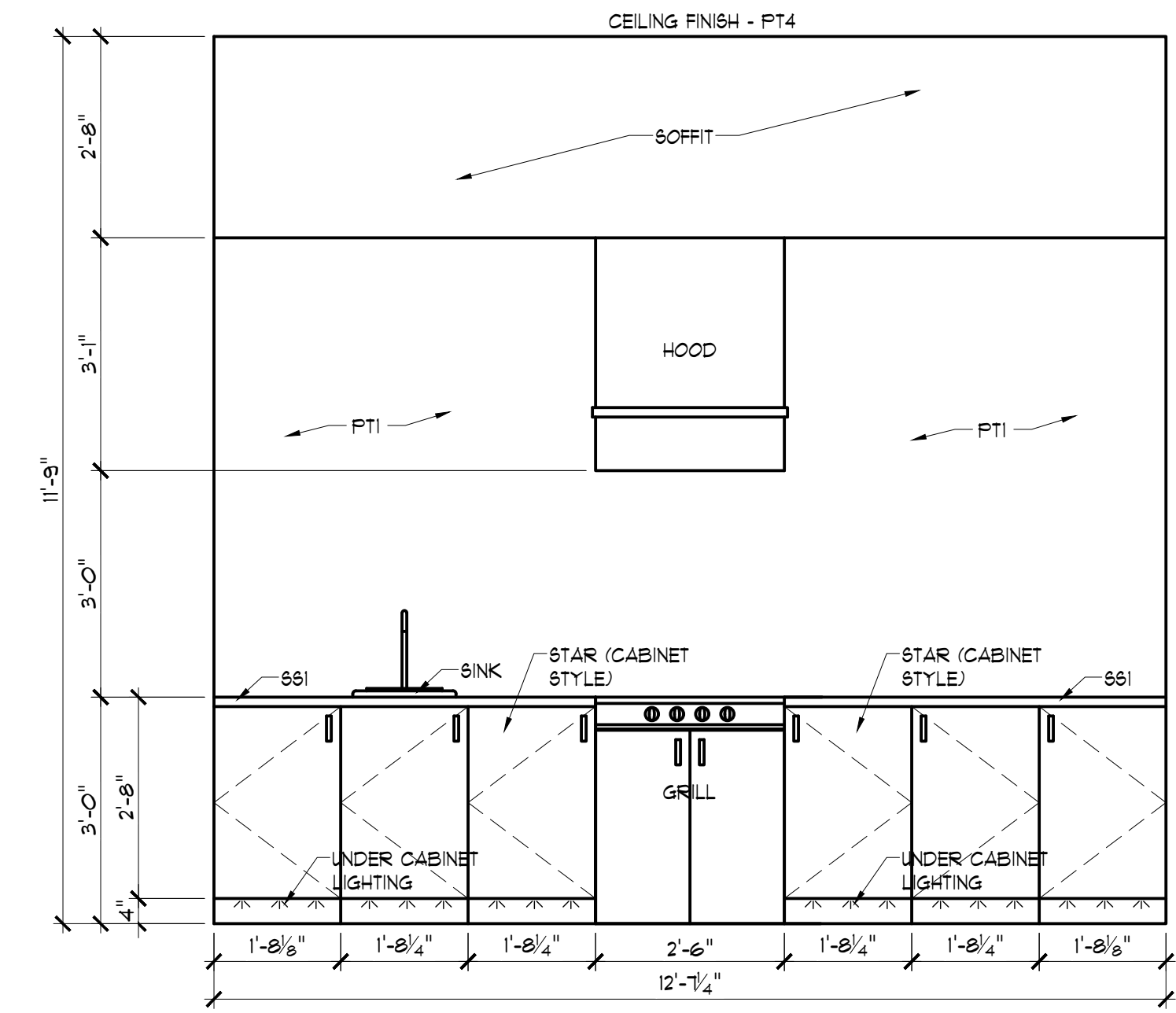
KITCHEN 5
SCALE: 1/2" = 1'-0"



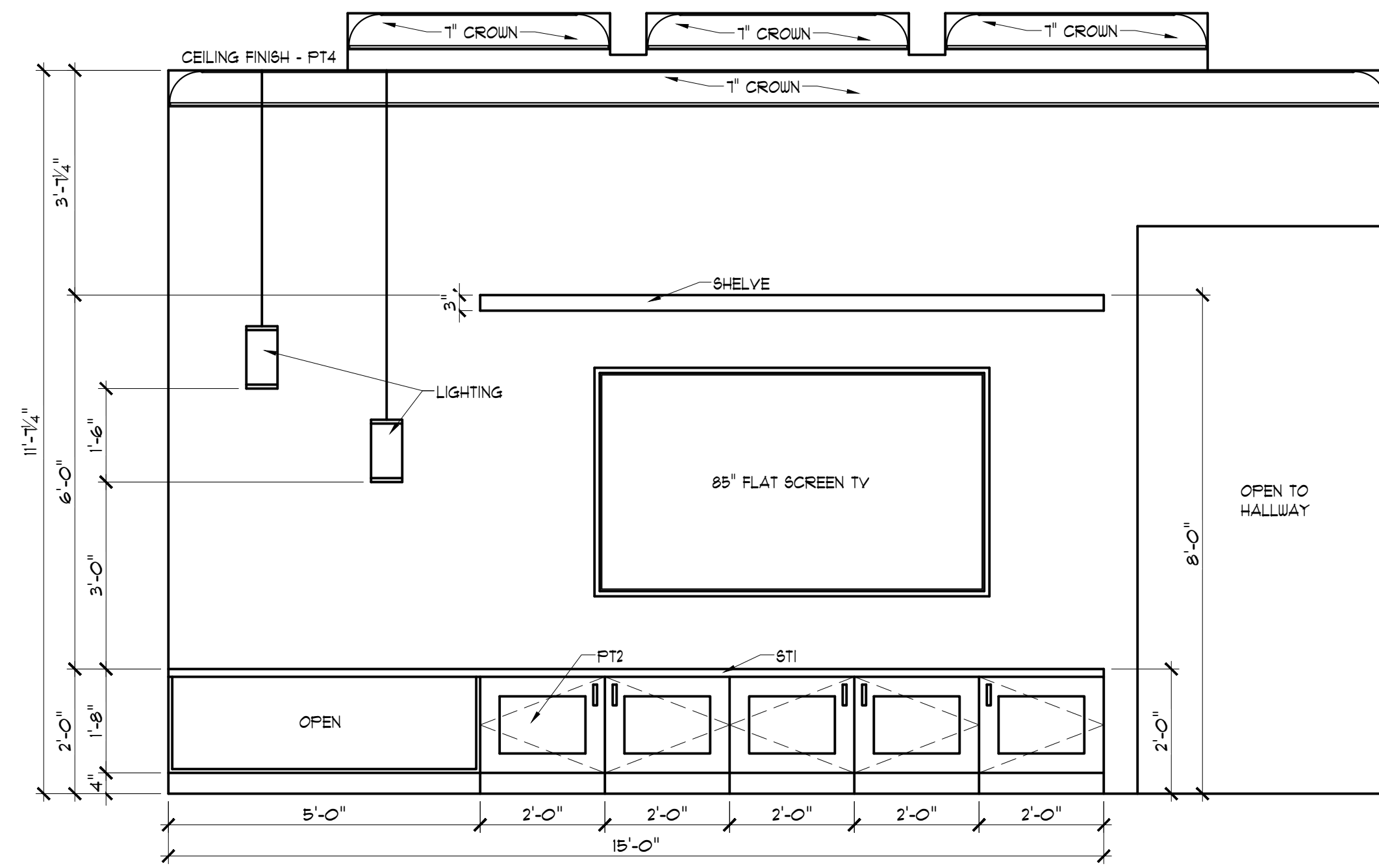
KITCHEN 6
SCALE: 1/2" = 1'-0"



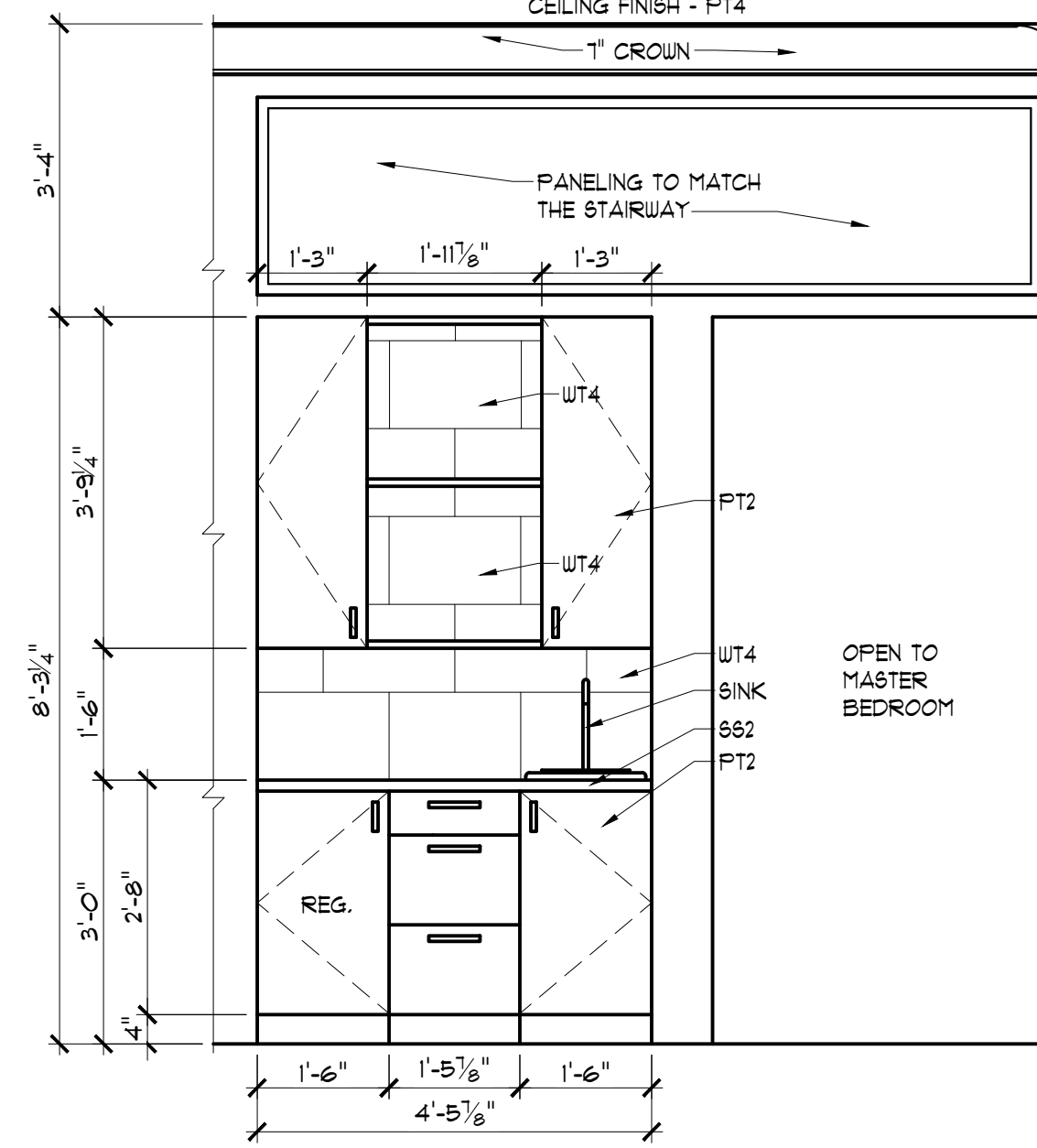
KITCHEN 7
SCALE: 1/2" = 1'-0"



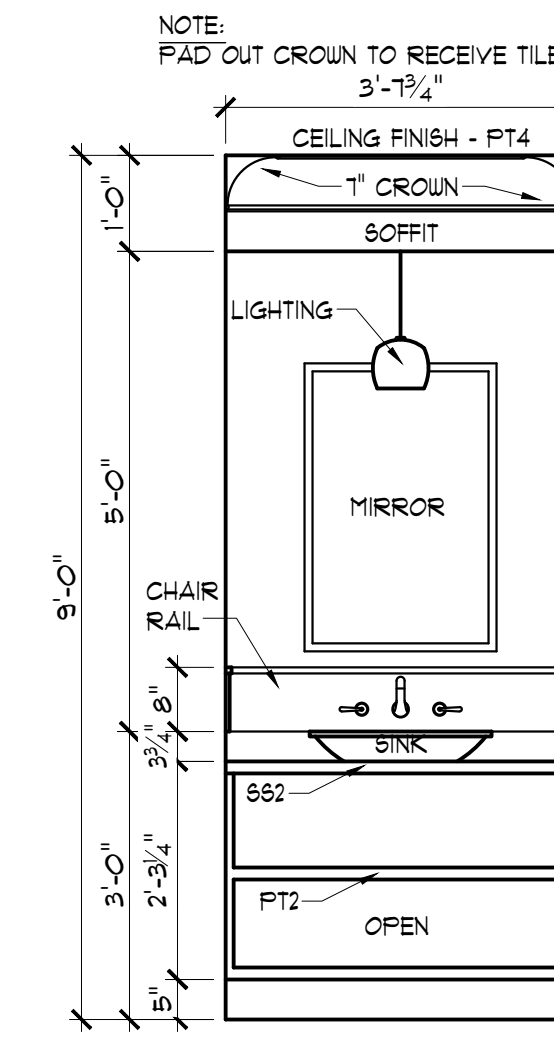
OUTSIDE KITCHEN 8
SCALE: 1/2" = 1'-0"



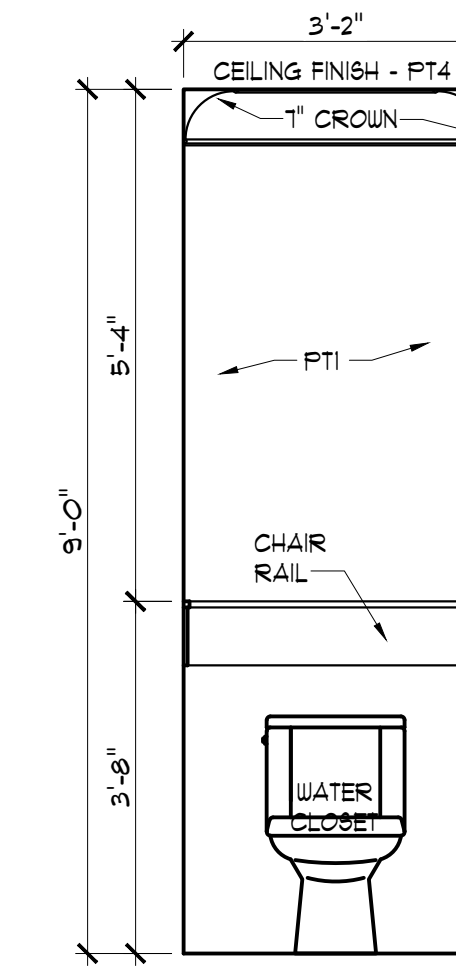
GREAT ROOM
SCALE: 1/2" = 1'-0" **1**



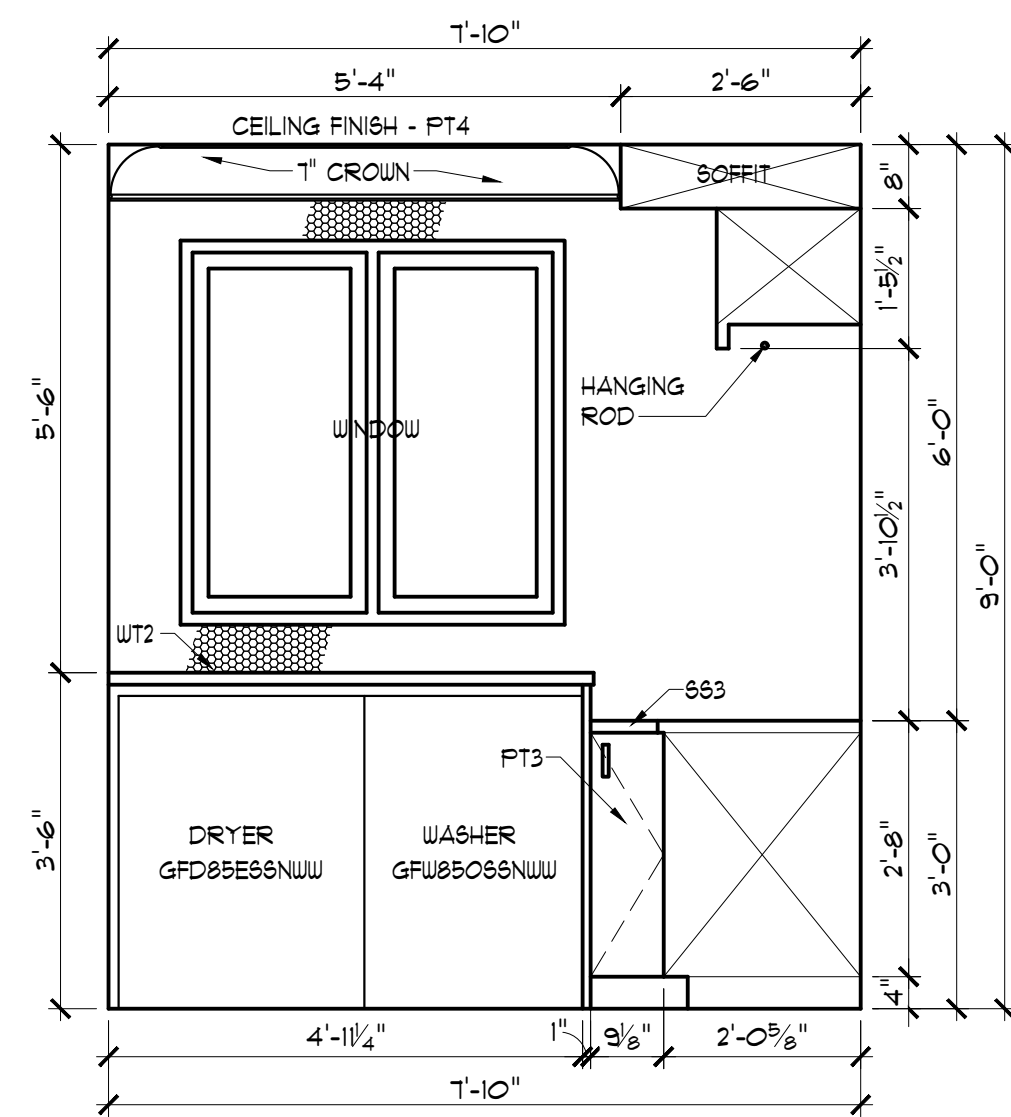
DINING ROOM
SCALE: 1/2" = 1'-0" **2**



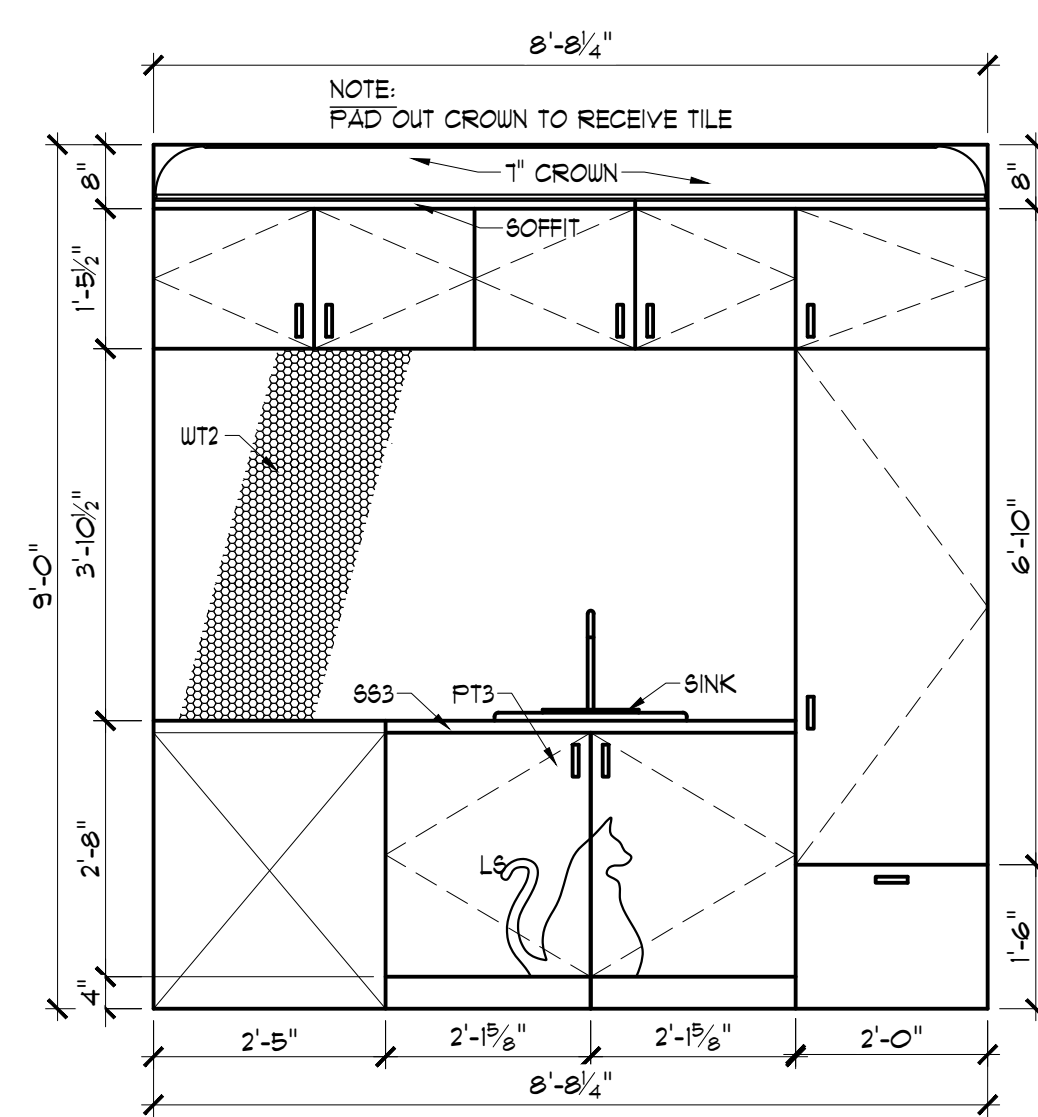
PWDR
SCALE: 1/2" = 1'-0" **3**



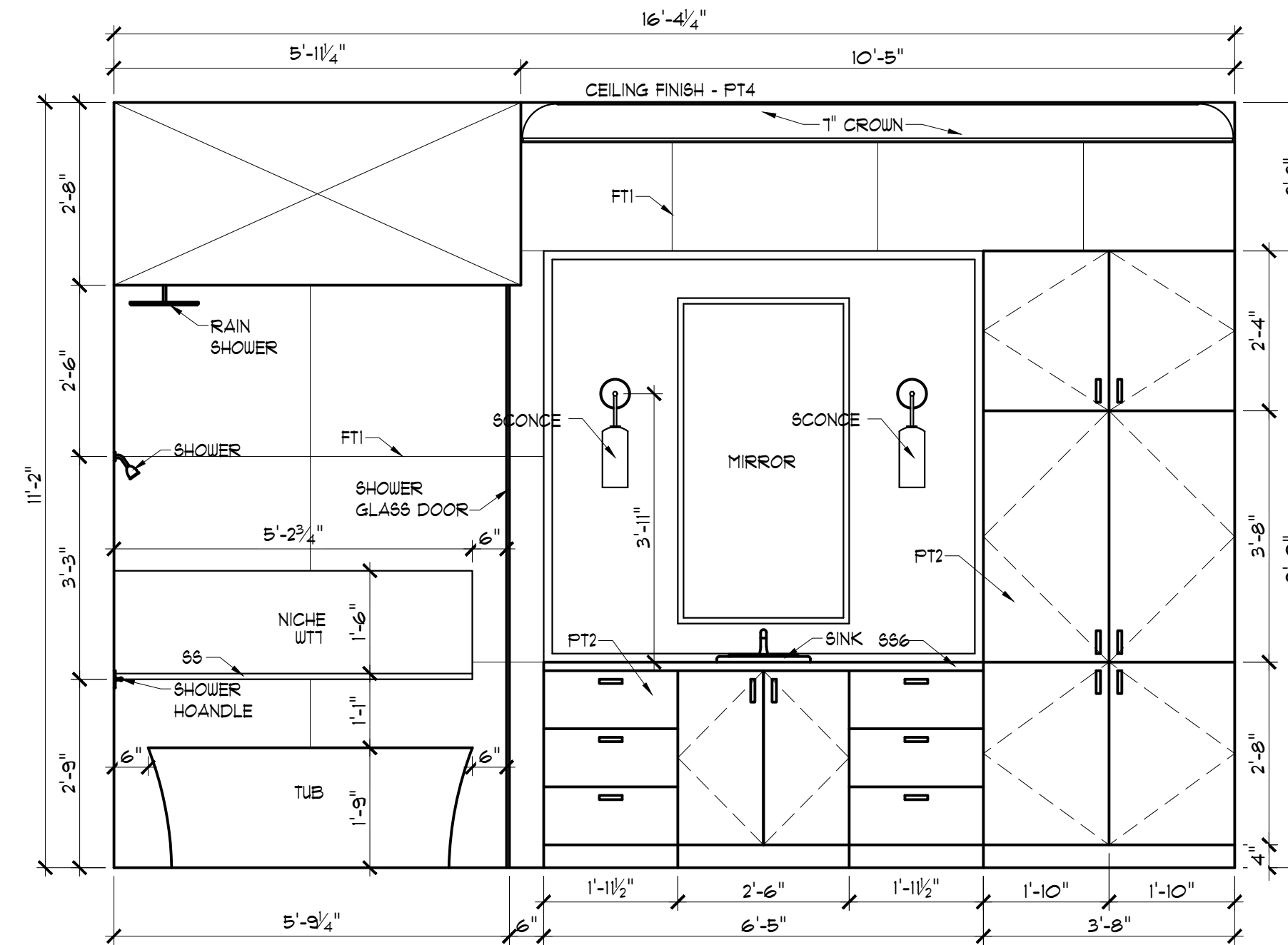
PWDR
SCALE: 1/2" = 1'-0" **4**



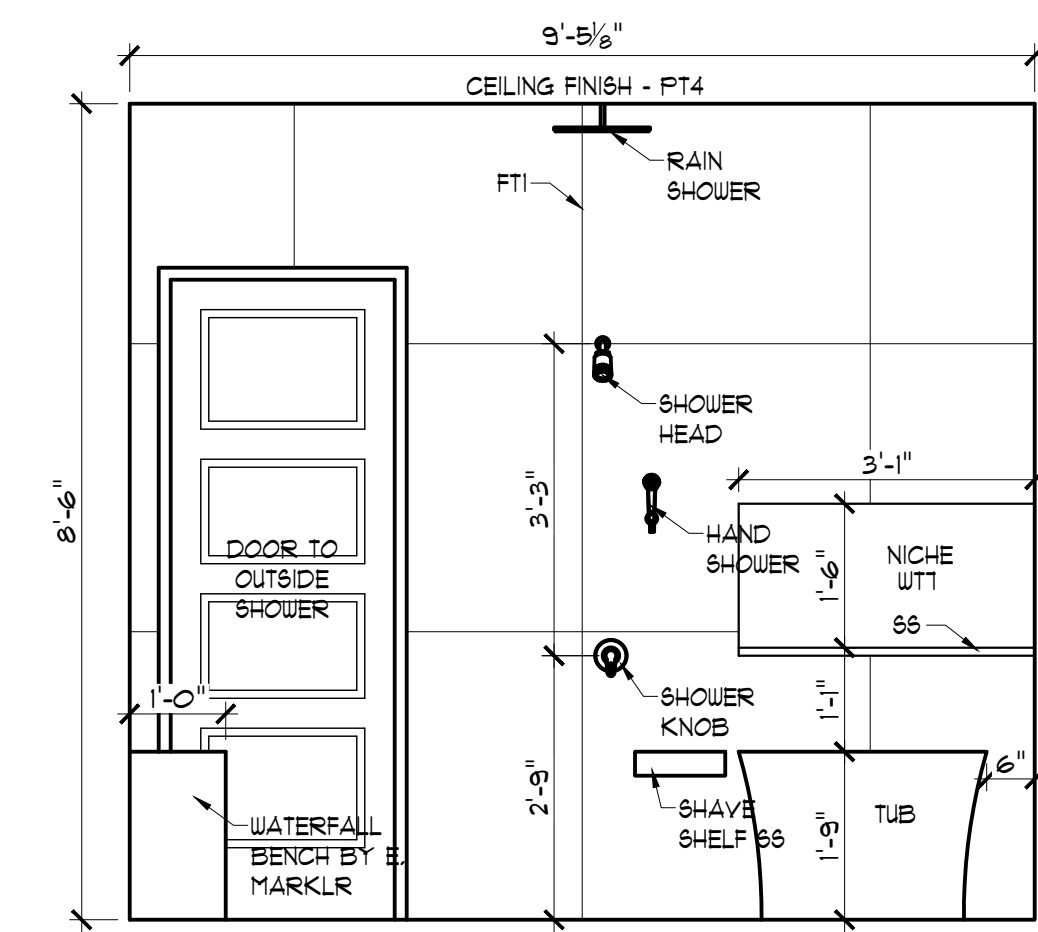
LAUNDRY
SCALE: 1/2" = 1'-0" **5**



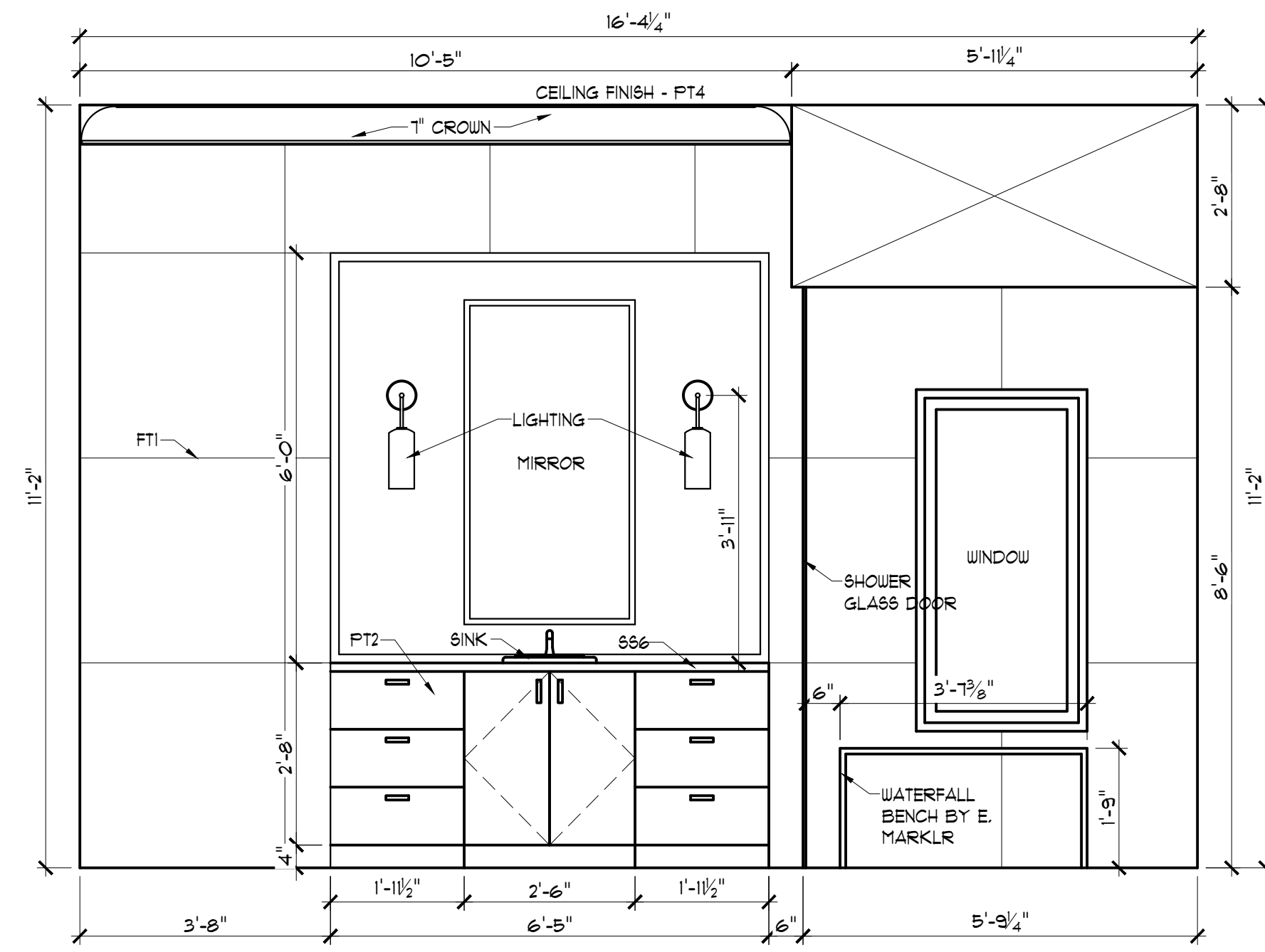
LAUNDRY
SCALE: 1/2" = 1'-0" **6**



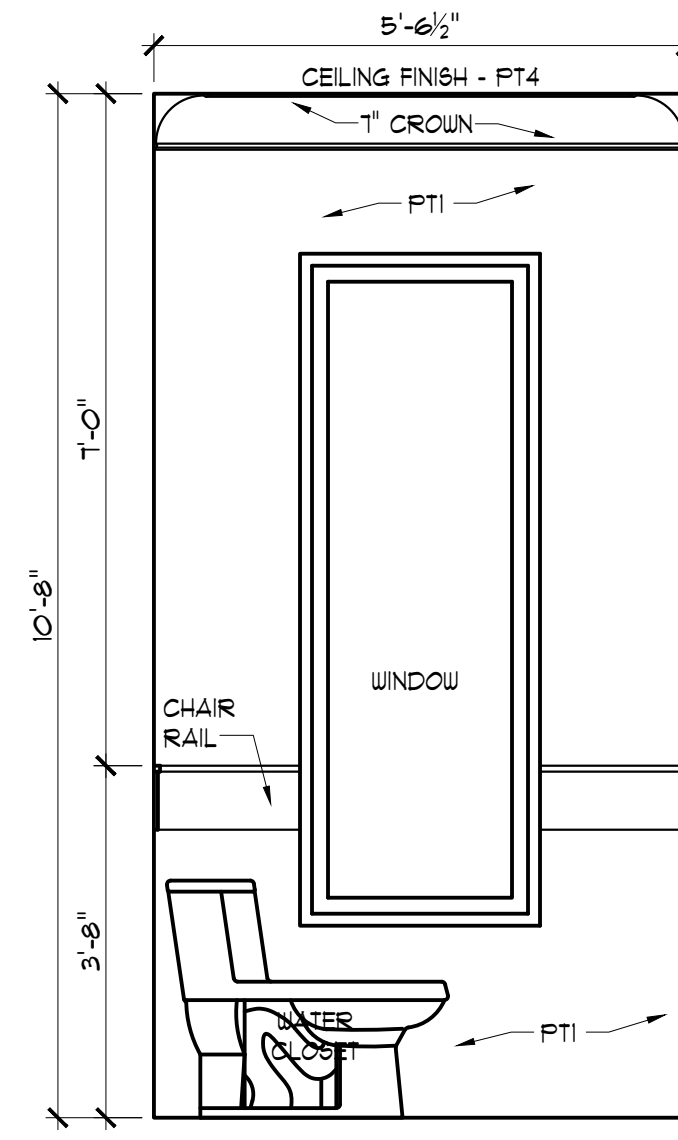
MASTER BATH
SCALE: 1/2" = 1'-0" **7**



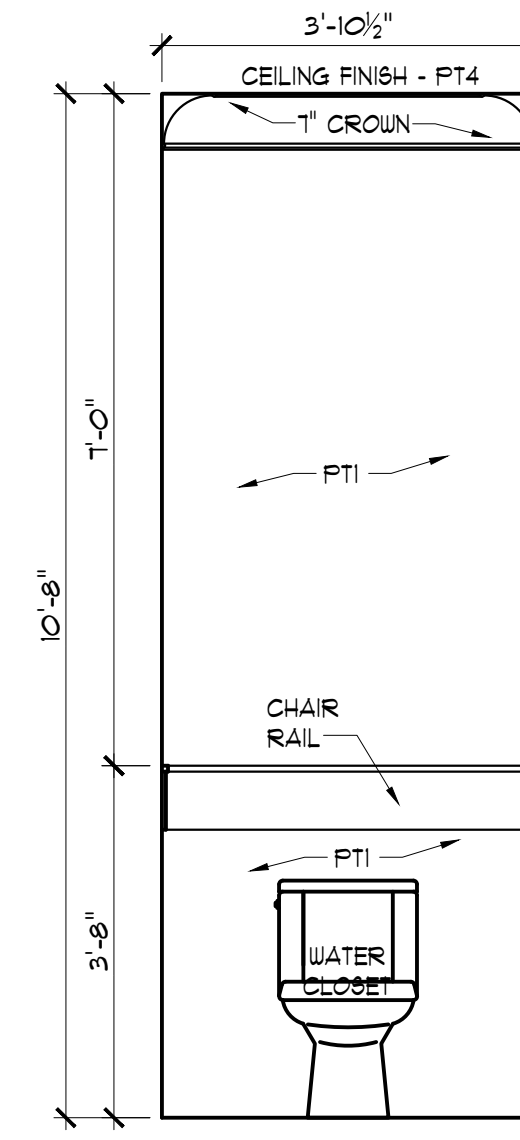
MASTER BATH
SCALE: 1/2" = 1'-0" **8**



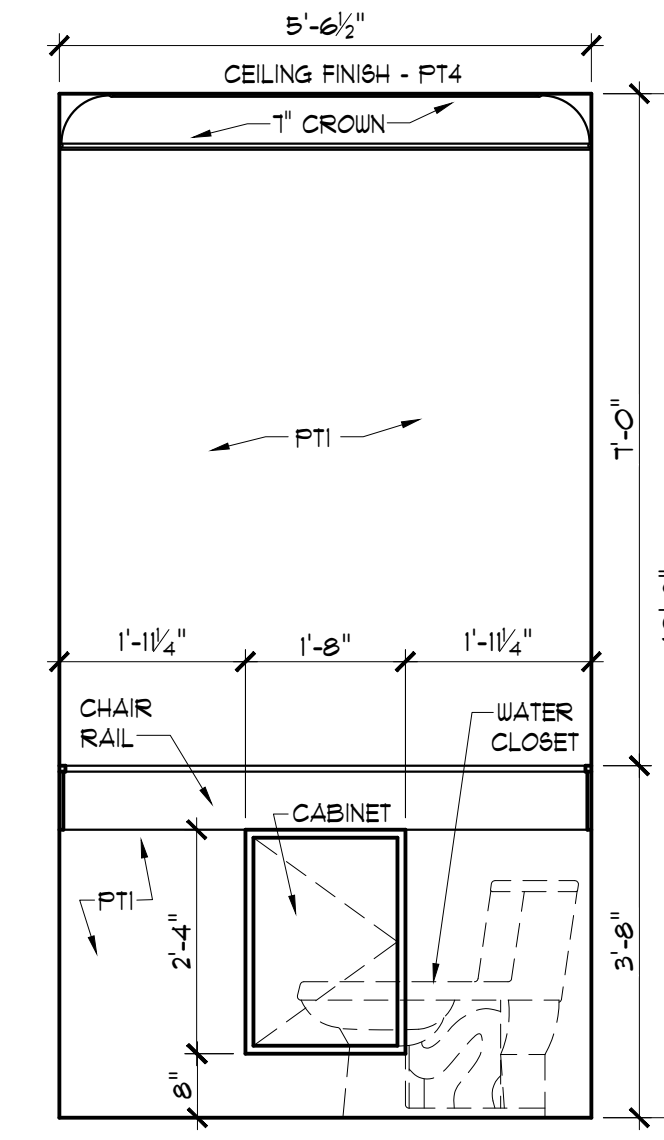
MASTER BATH ①
SCALE: 1/2" = 1'-0"



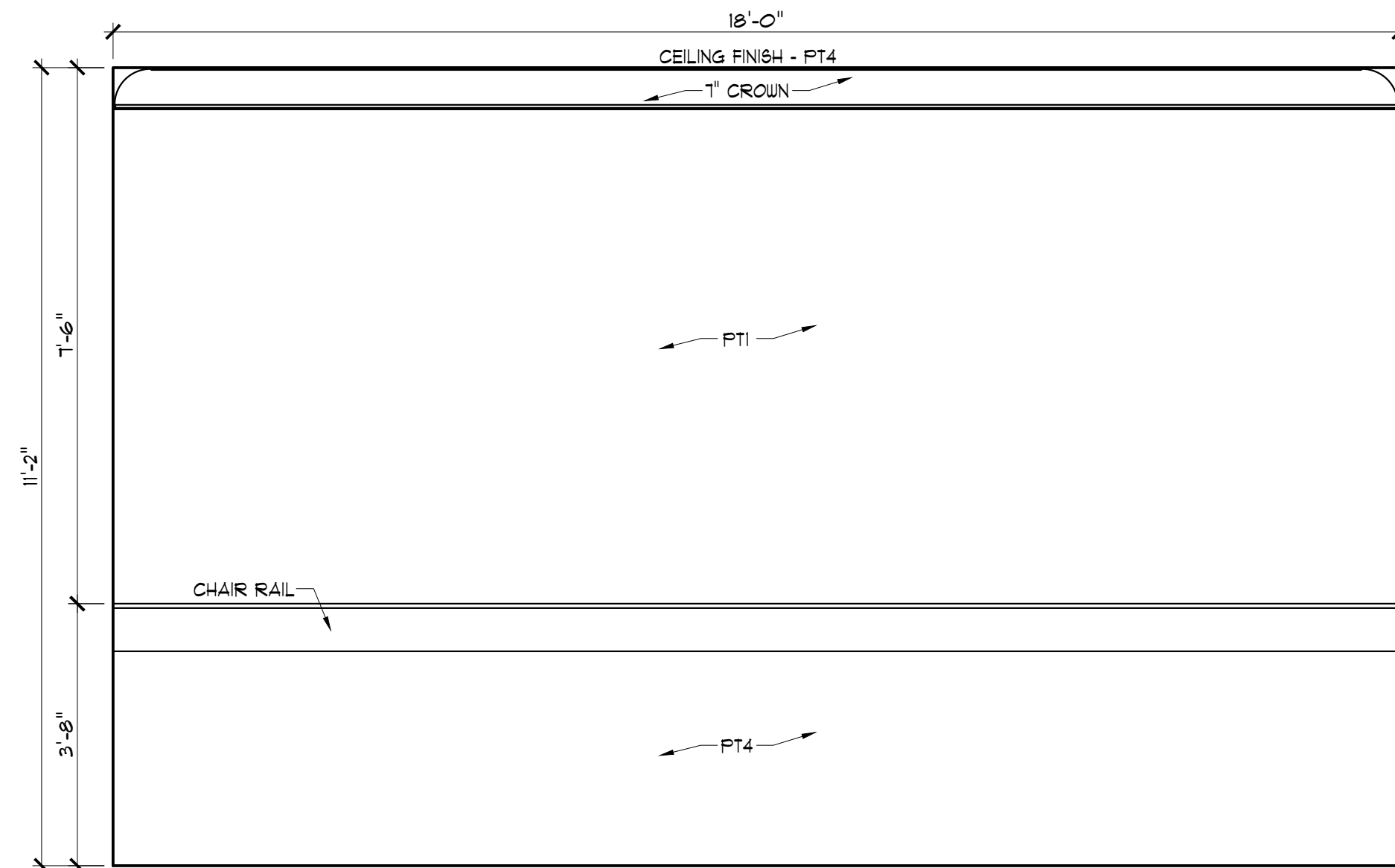
W.C. ②
SCALE: 1/2" = 1'-0"



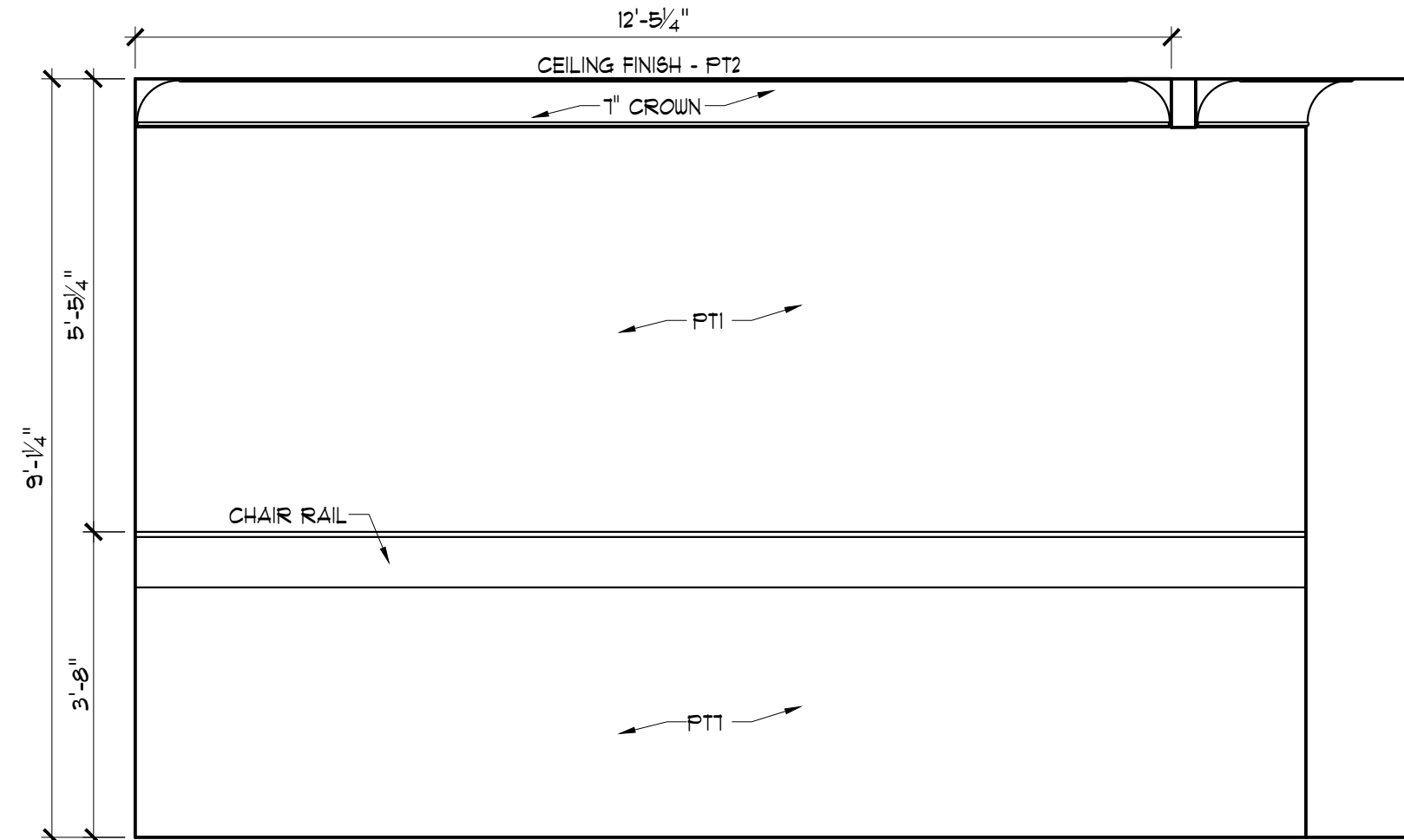
W.C. ③
SCALE: 1/2" = 1'-0"



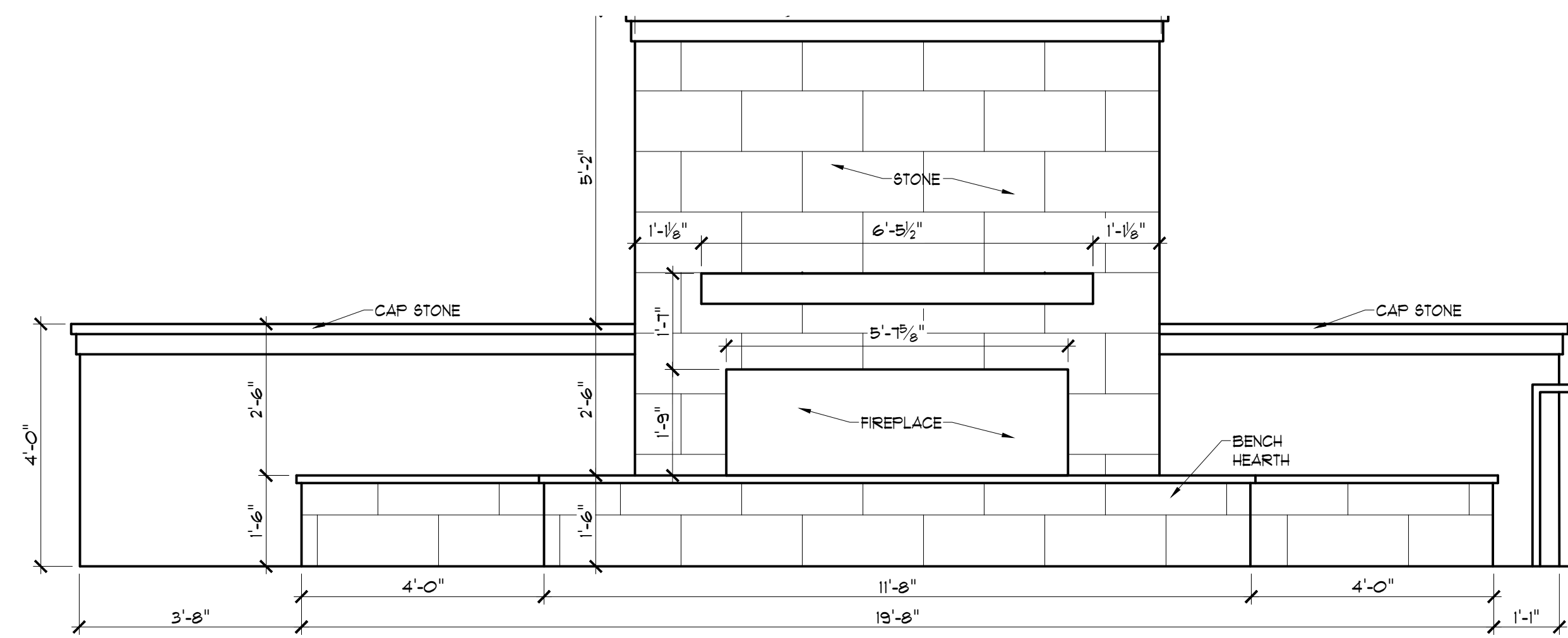
W.C. ④
SCALE: 1/2" = 1'-0"



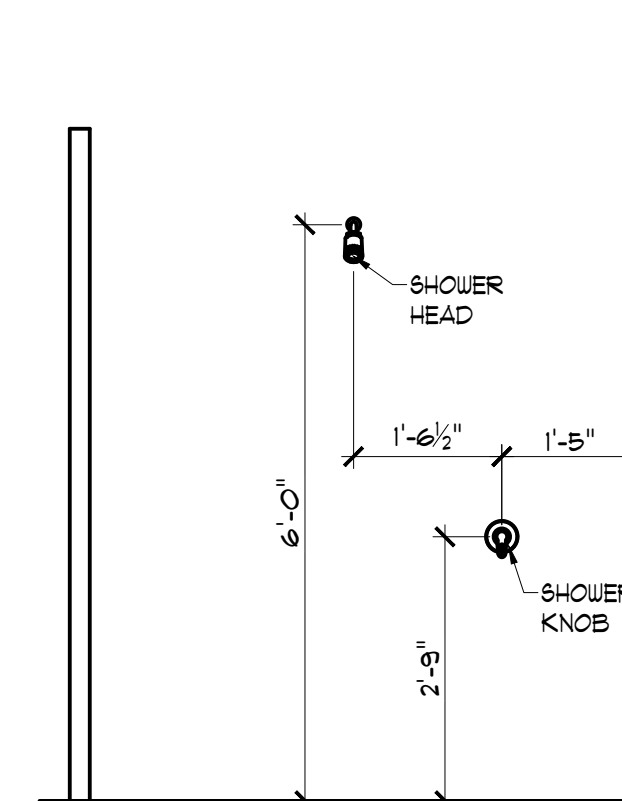
MASTER BEDROOM ⑤
SCALE: 1/2" = 1'-0"



FOYER ⑥
SCALE: 1/2" = 1'-0"

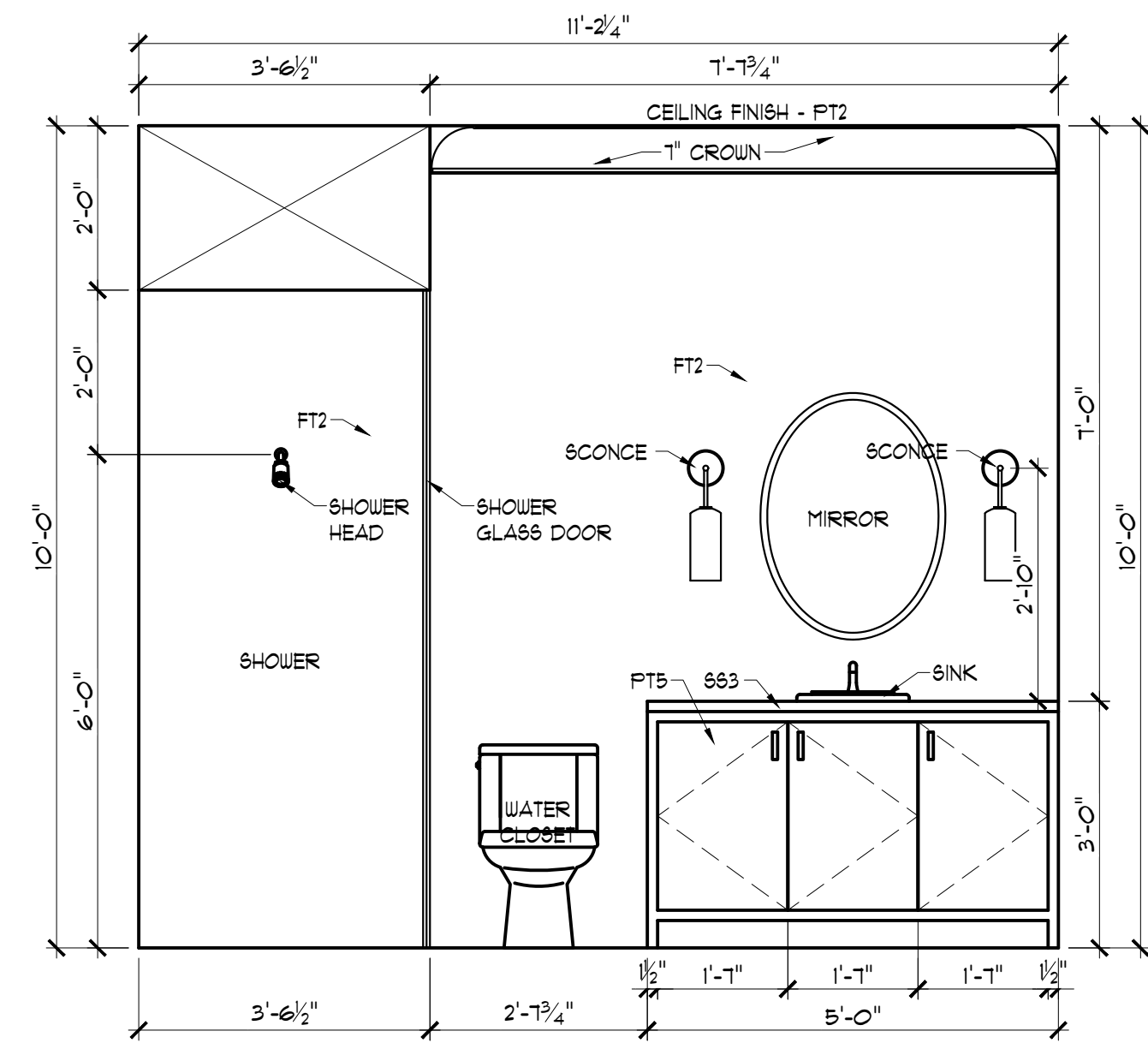


OPEN TERRACE ⑦
SCALE: 1/2" = 1'-0"

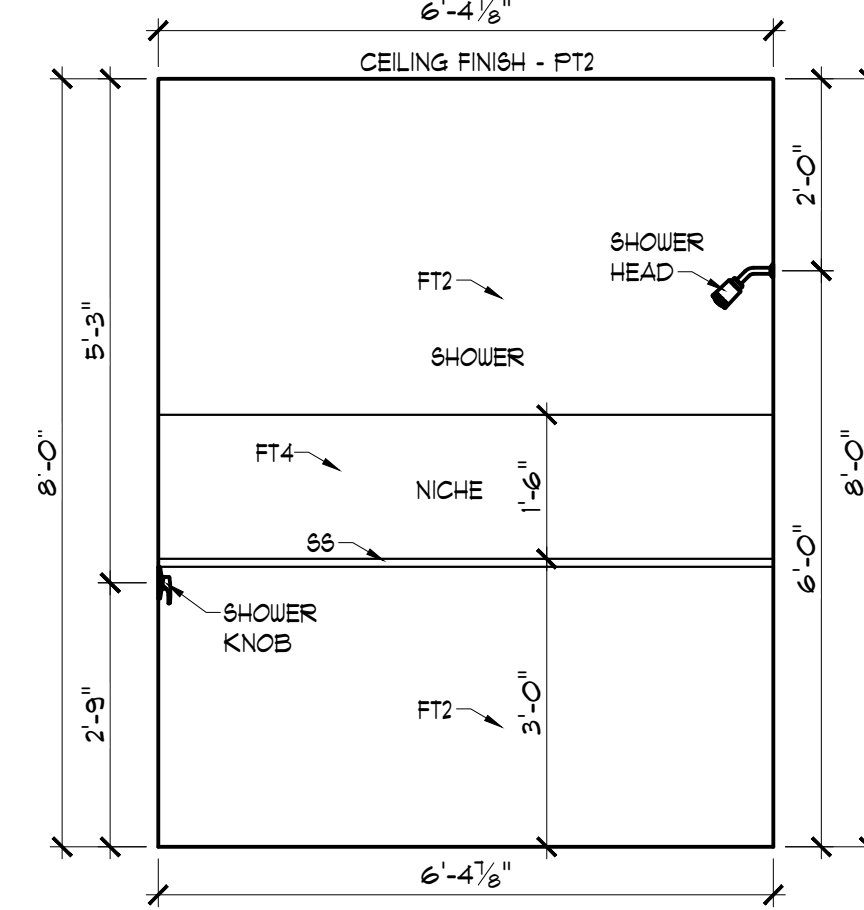


OUTSIDE SHOWER ⑦
SCALE: 1/2" = 1'-0"

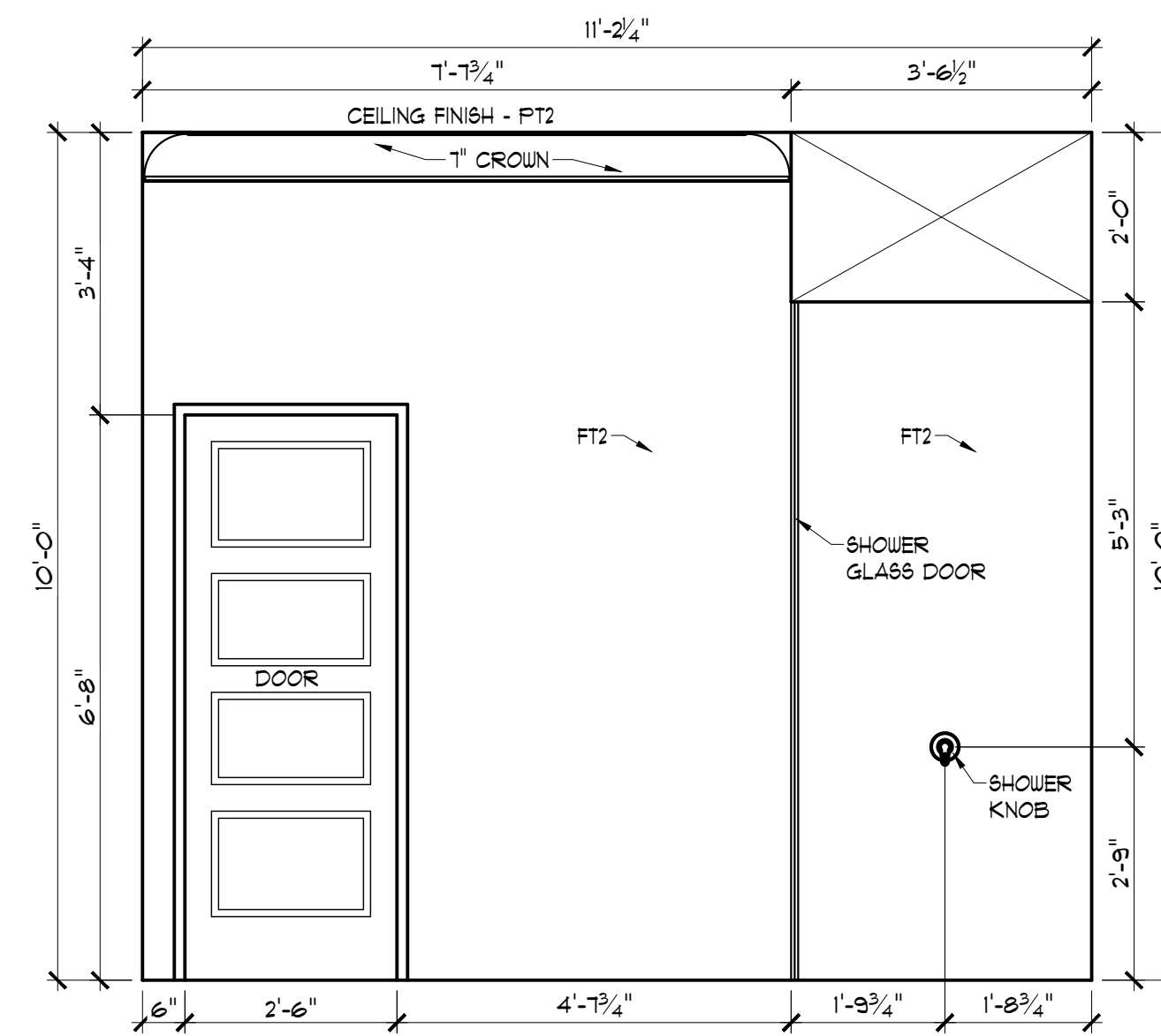
NOTES:
FINAL CABINET SHOP DRAWINGS TO SUPERSEDE ID DRAWINGS (SEE CABINET SCHEDULE ON ID-10 FOR FURTHER DETAILS). (BUILDER ENGINEER NOTE)



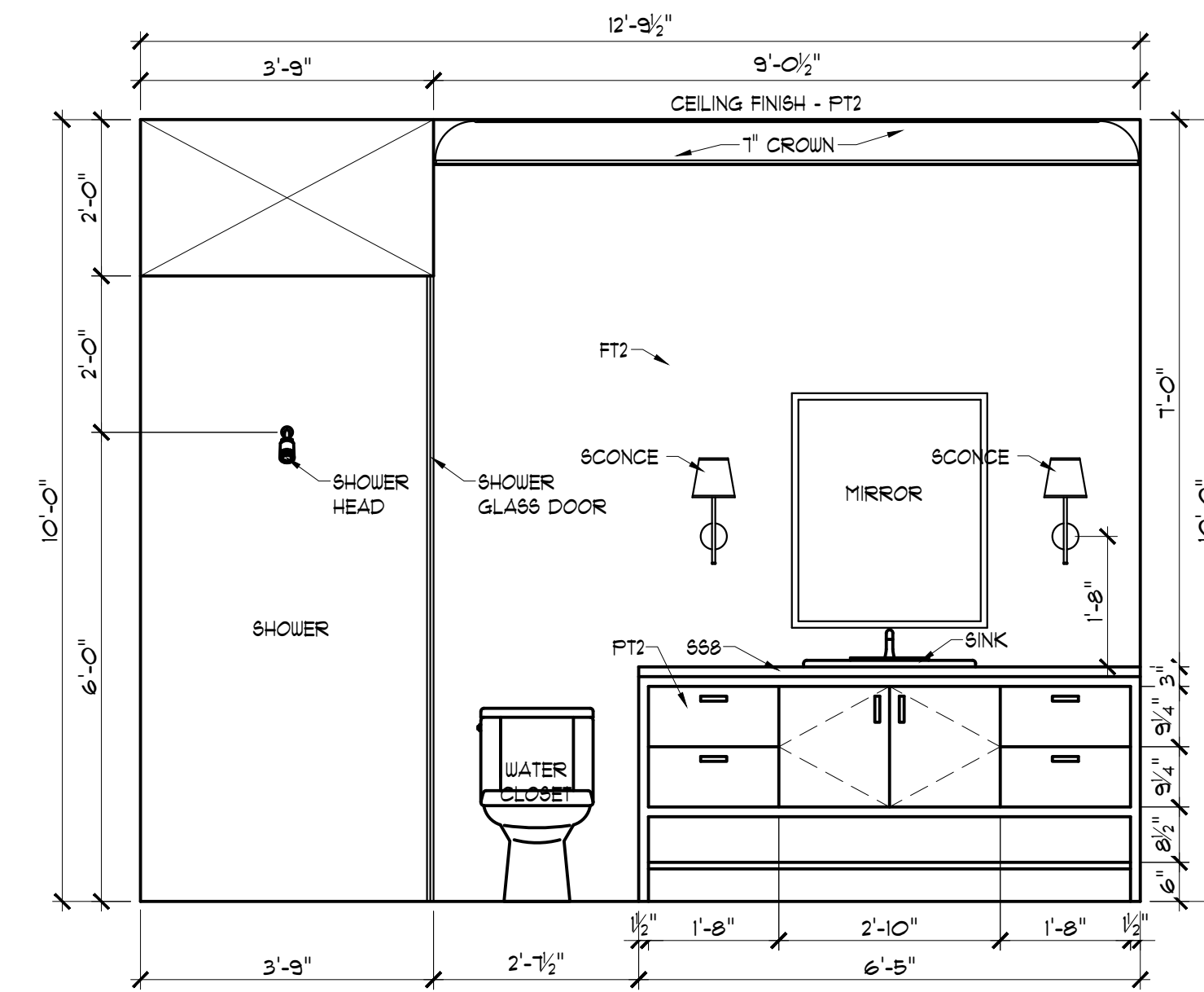
BATH 2
SCALE: 1/2" = 1'-0" **1**



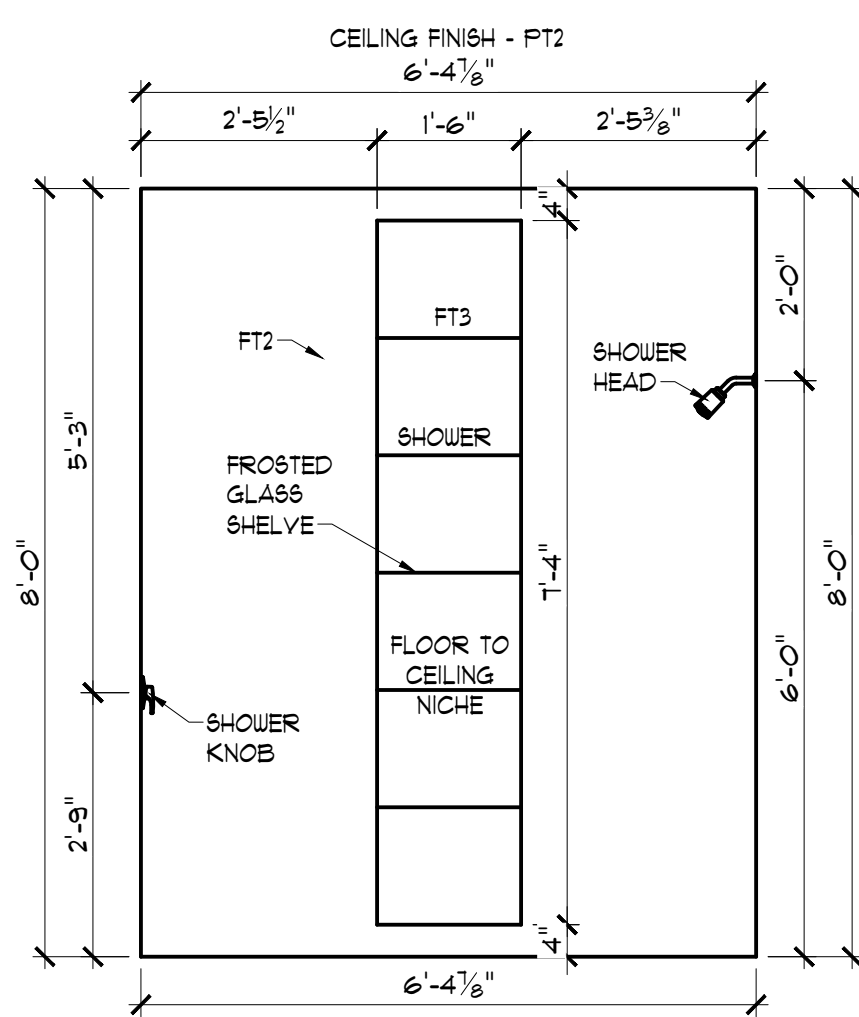
BATH 2
SCALE: 1/2" = 1'-0" **2**



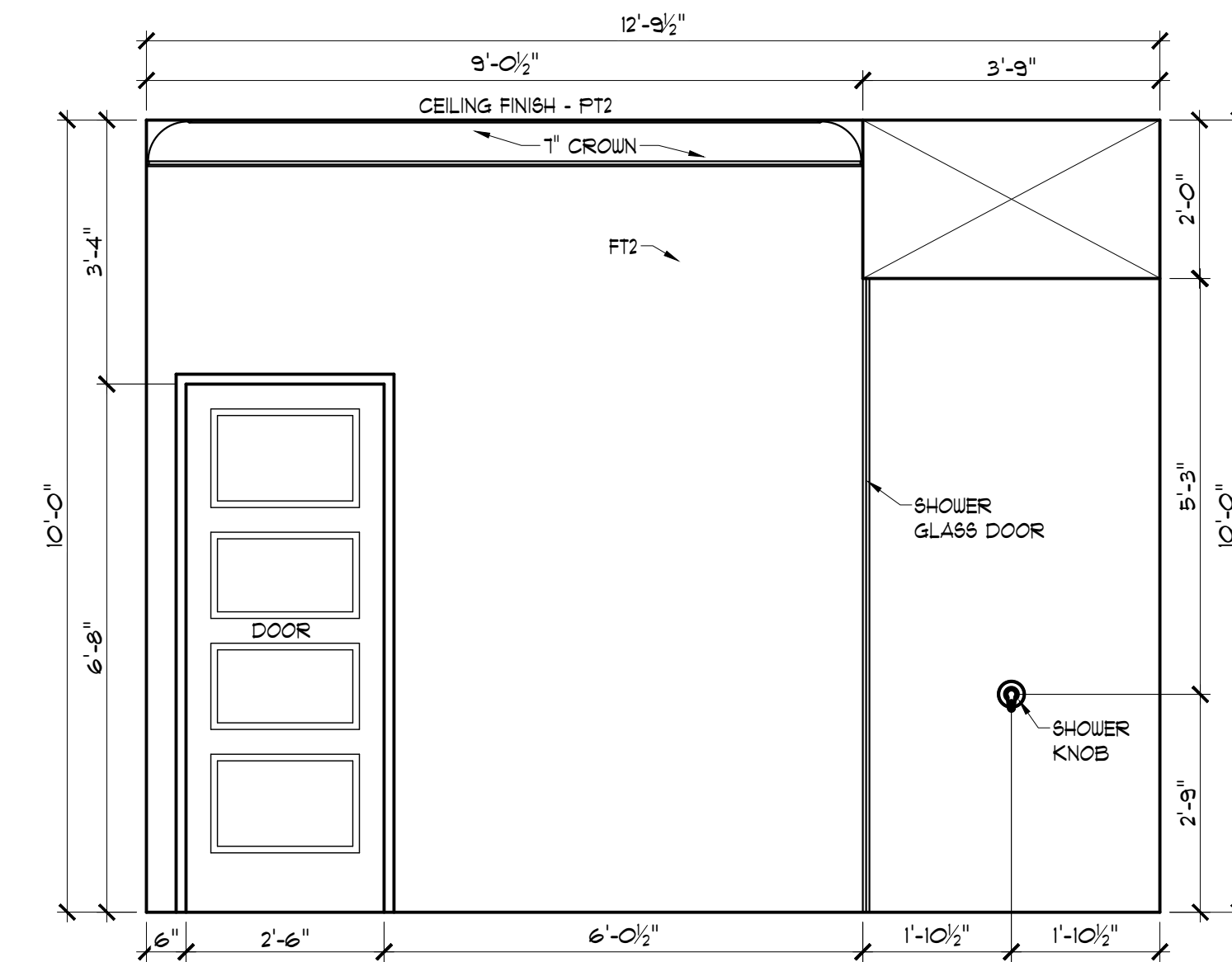
BATH 2
SCALE: 1/2" = 1'-0" **3**



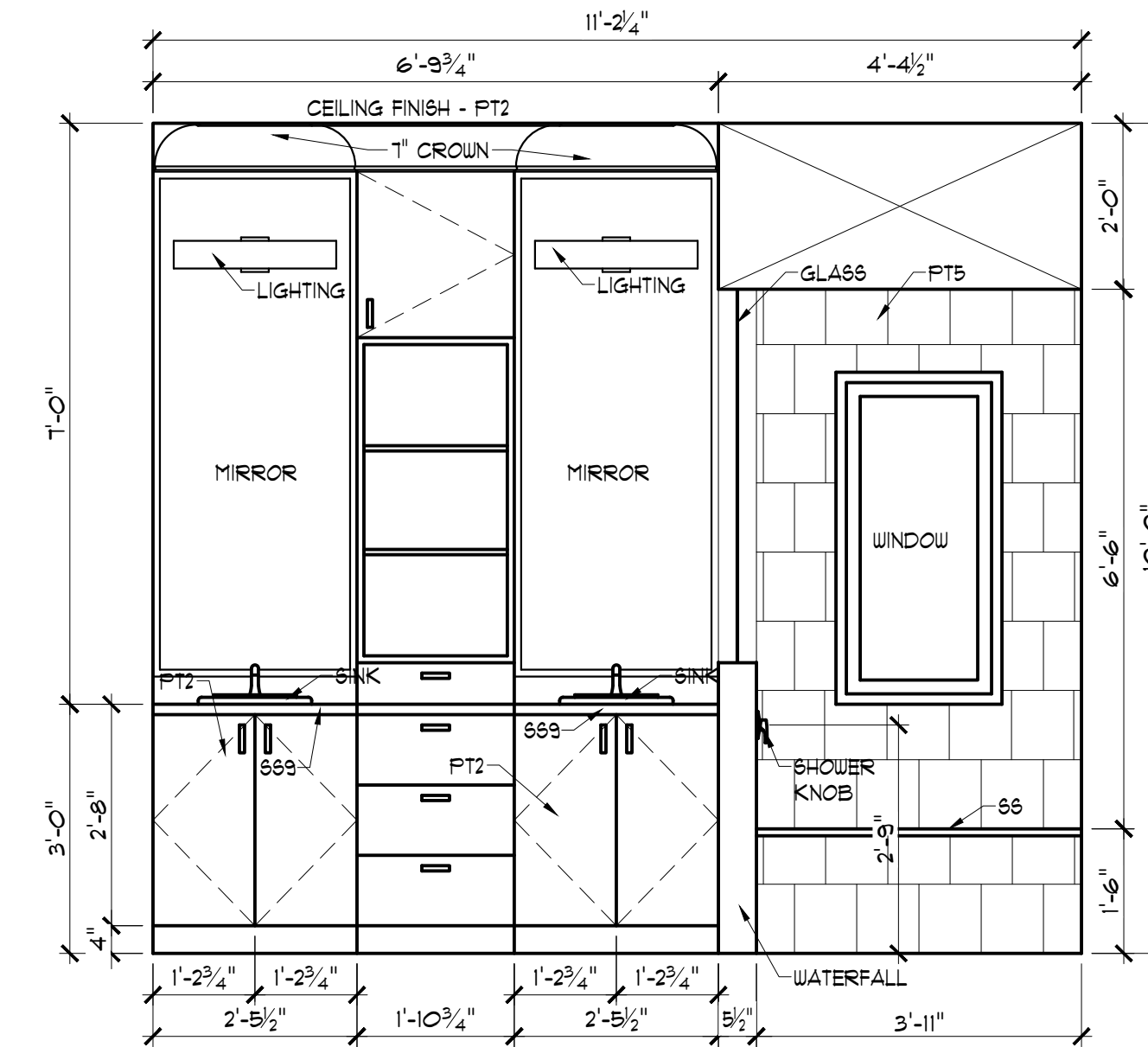
BATH 1
SCALE: 1/2" = 1'-0" **4**



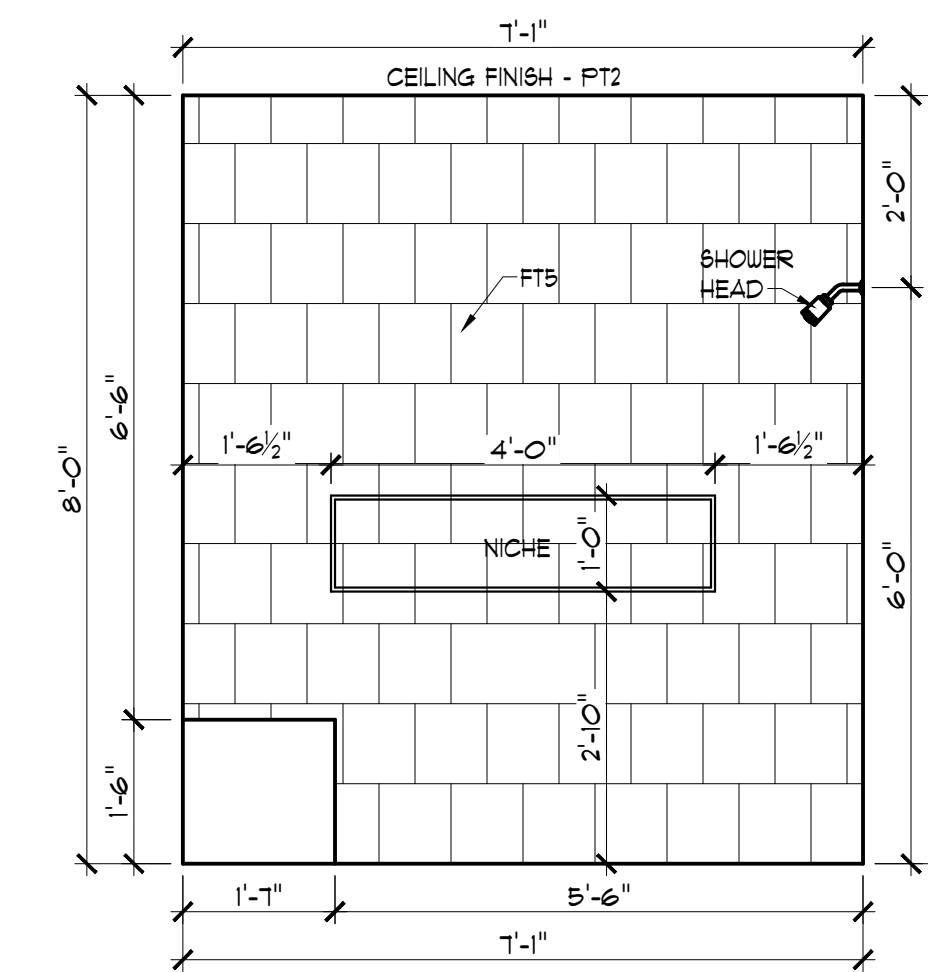
BATH 1
SCALE: 1/2" = 1'-0" **5**



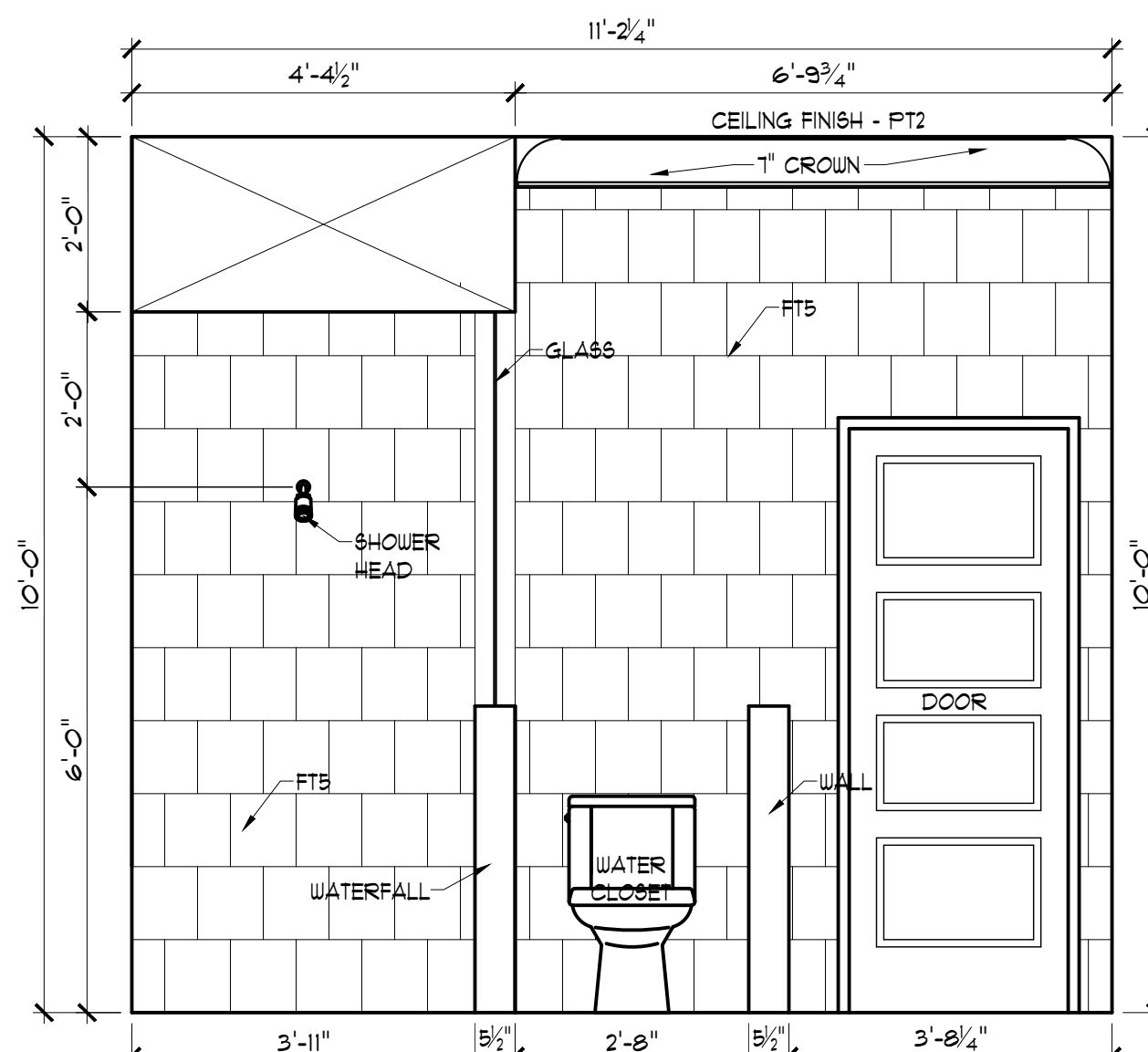
BATH 1
SCALE: 1/2" = 1'-0" **6**



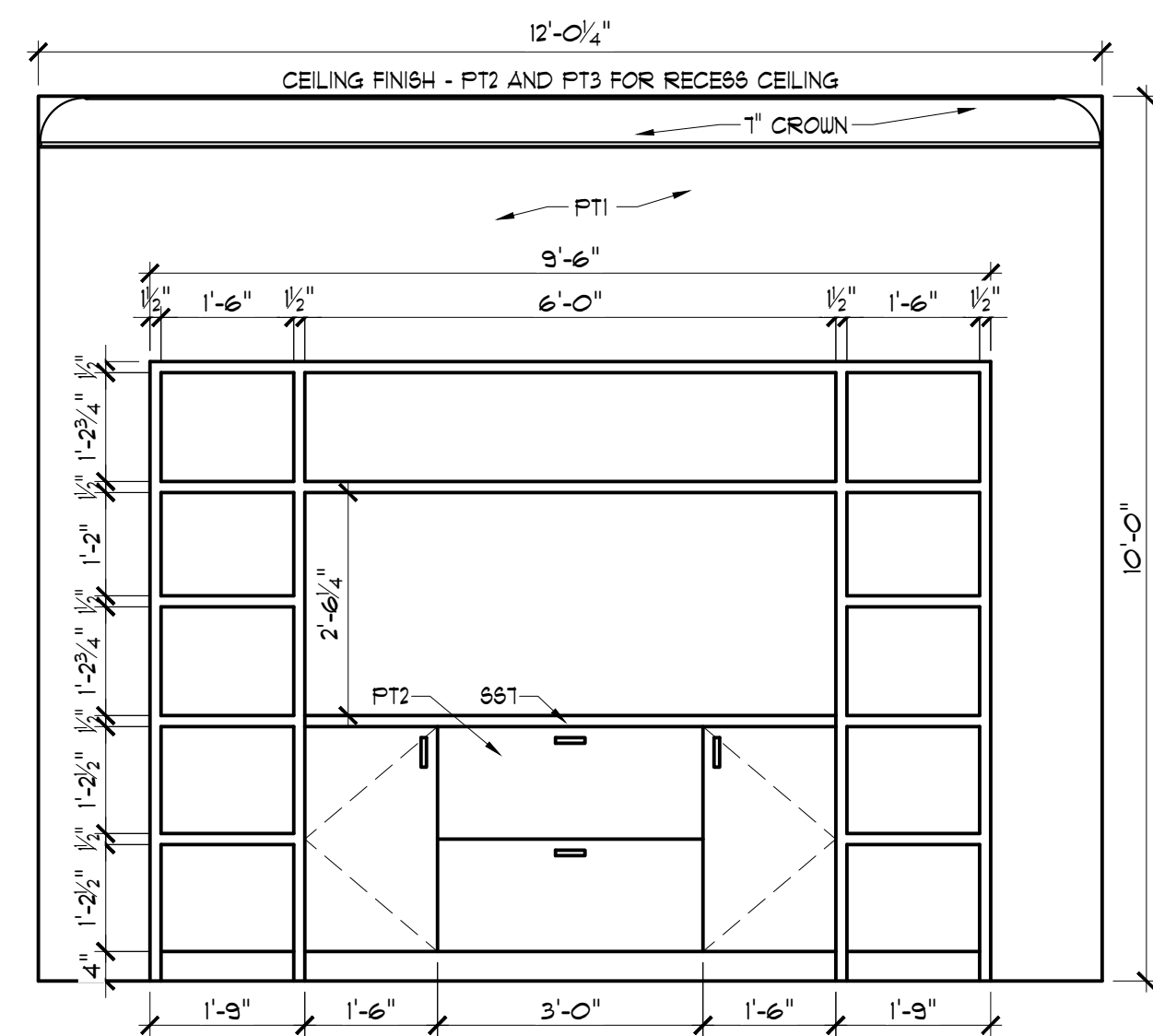
GUEST BATH
SCALE: 1/2" = 1'-0" **7**



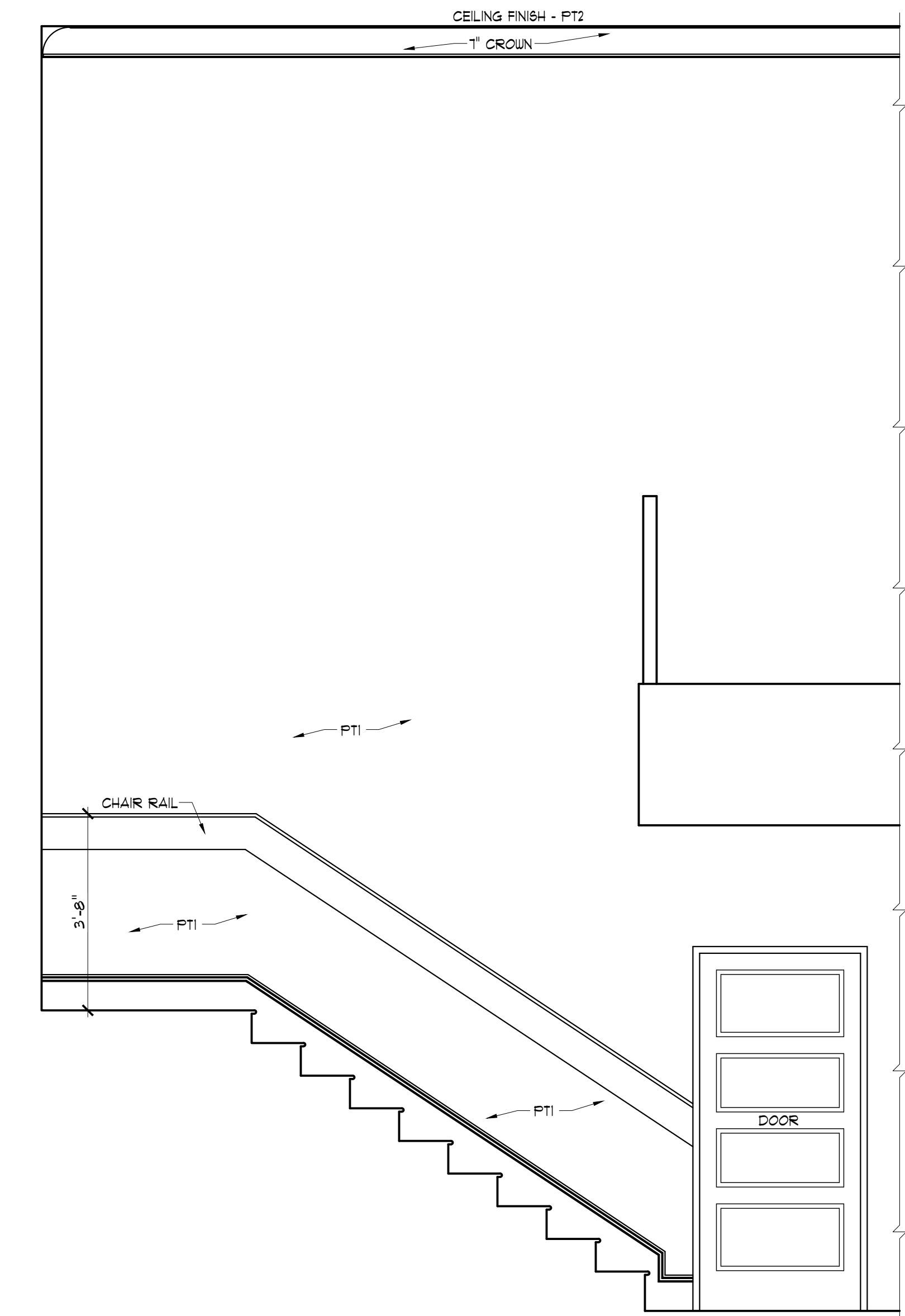
GUEST BATH
SCALE: 1/2" = 1'-0" **8**



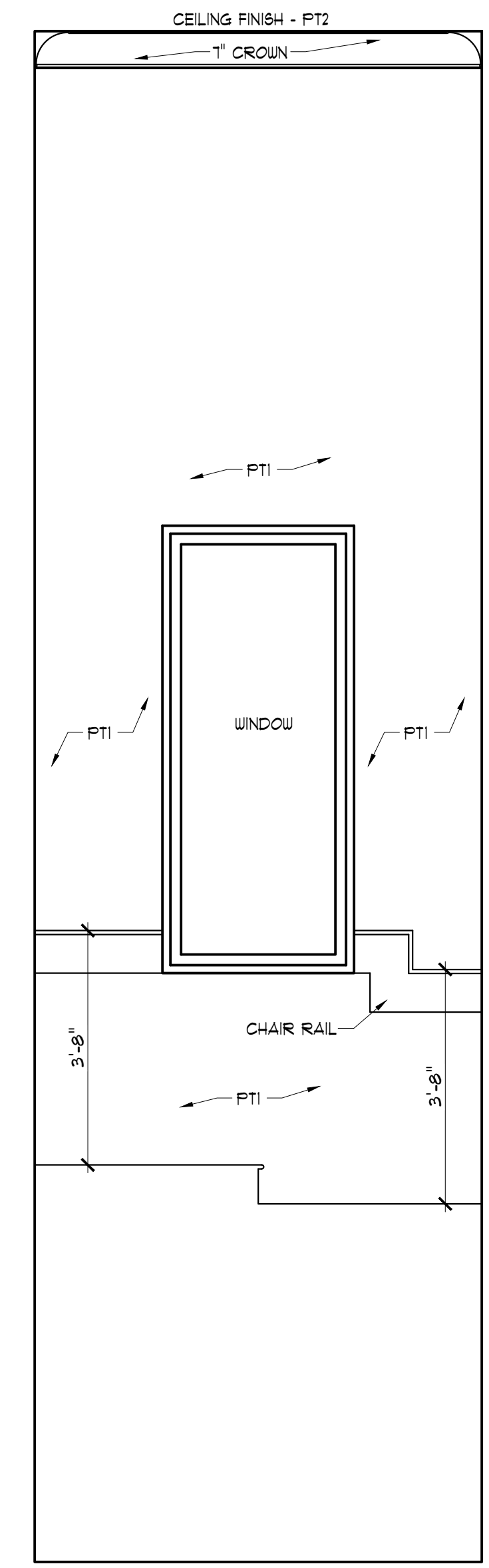
GUEST BATH
SCALE: 1/2" = 1'-0" **9**



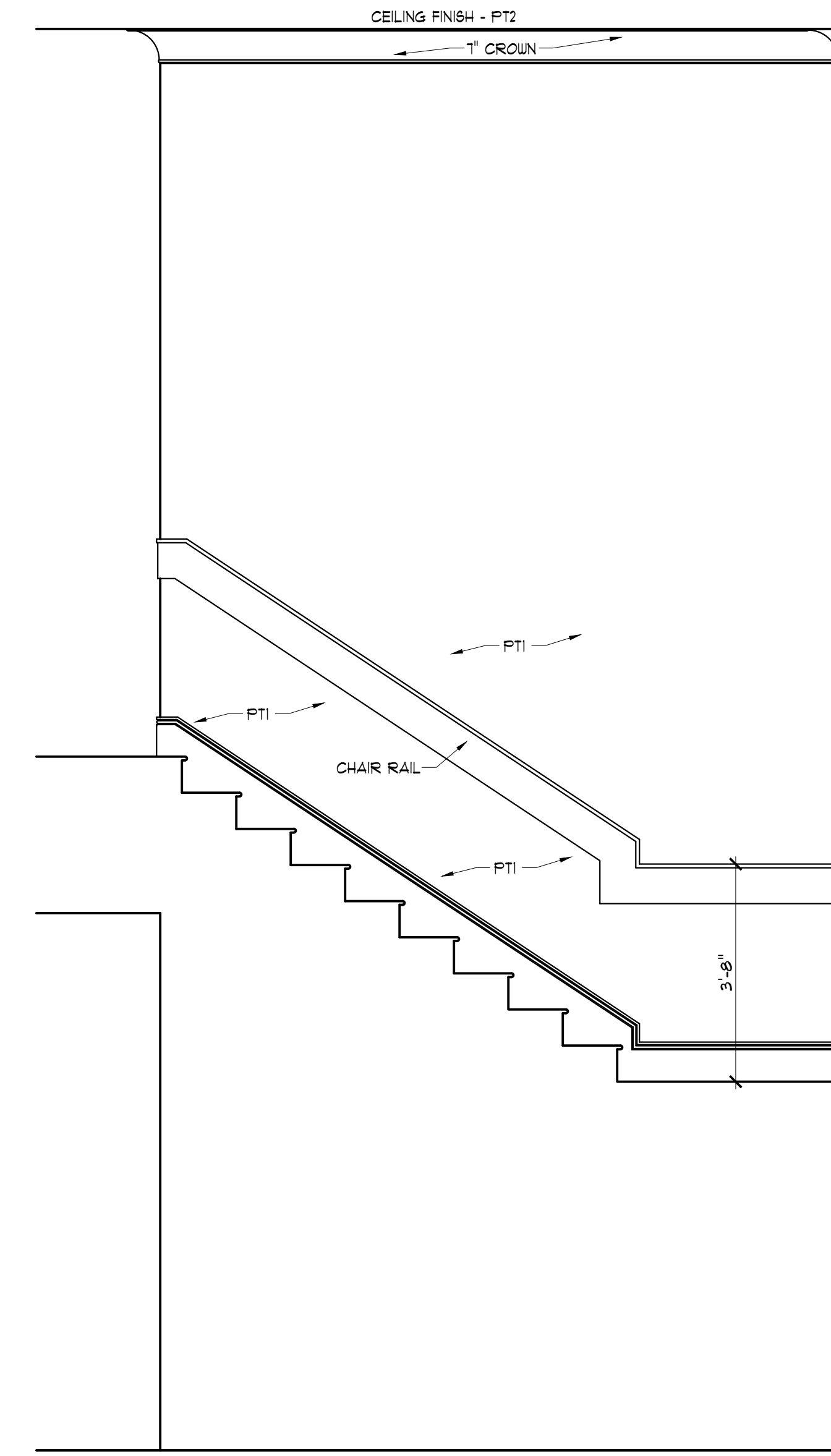
STUDY 1
SCALE: 1/2" = 1'-0"



STAIRS 2
SCALE: 1/2" = 1'-0"



STAIRS 3
SCALE: 1/2" = 1'-0"



STAIRS 4
SCALE: 1/2" = 1'-0"

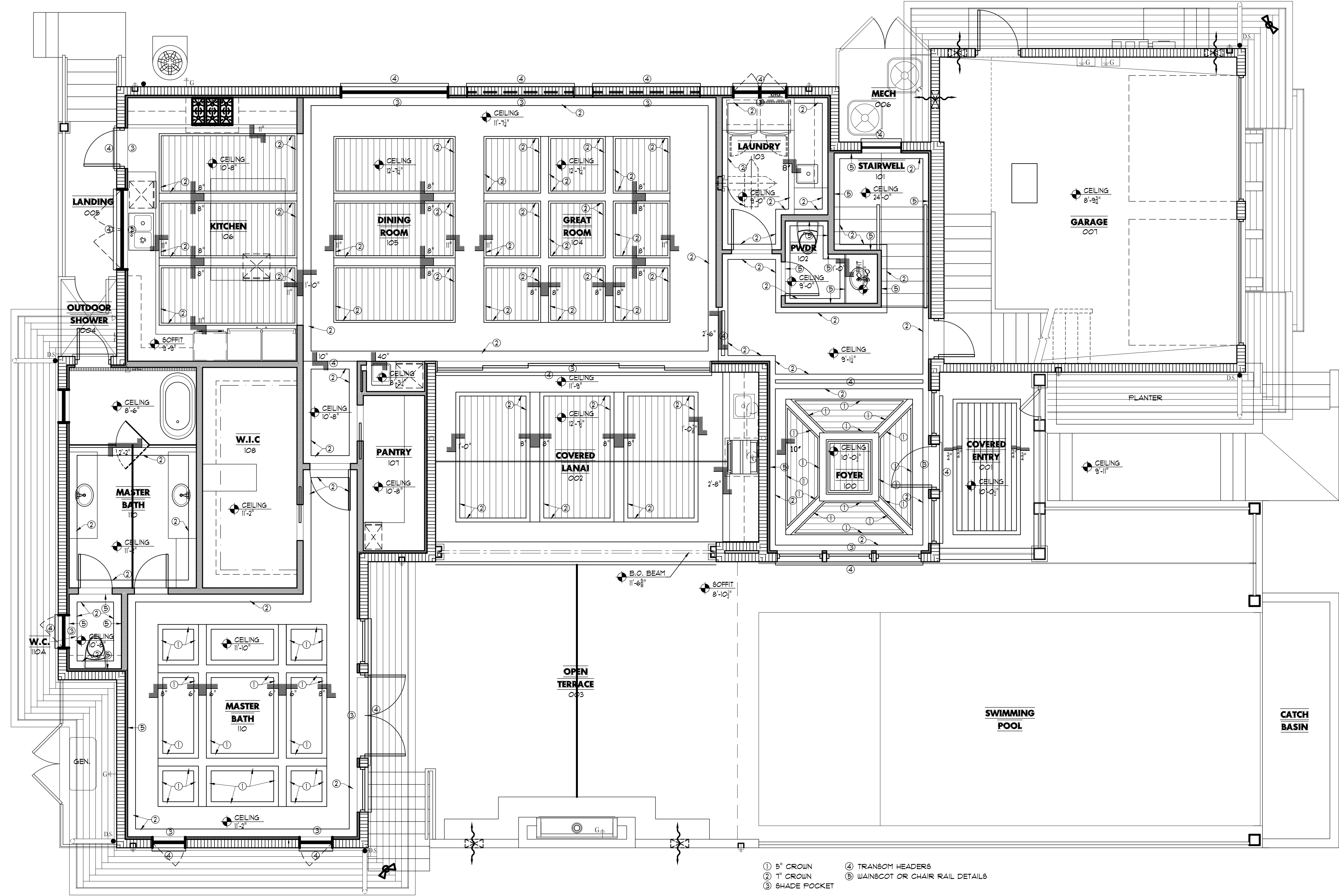
ELEVATIONS

DATE: 08 - 01 - 22
SCALE: AS NOTED
DRAWN: J.A.R.
JOB:

SHEET NO.:

**ID
7**

NOTES:
FINAL CABINET SHOP DRAWINGS TO SUPERSEDE ID DRAWINGS (SEE CABINET SCHEDULE ON ID-10 FOR FURTHER DETAILS). (BUILDER ENGINEER NOTE)

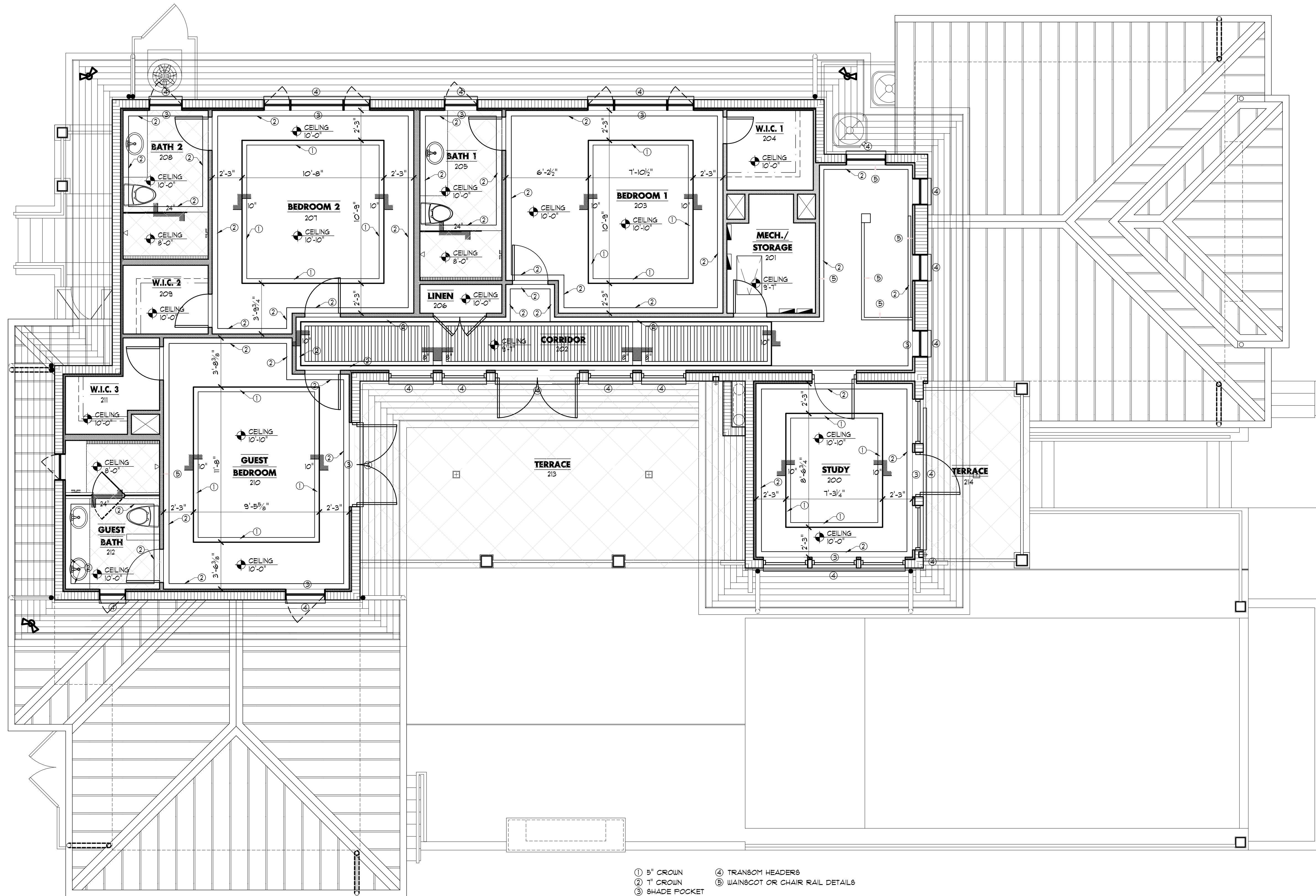


MAIN LEVEL FLOOR PLAN (TRIM)

SCALE: 1/4" = 1'-0"

MAIN LEVEL FLOOR PLAN (TRIM)

DATE: 08 - 01 - 22
SCALE: AS NOTED
DRAWN: J.A.R.
JOB:
SHEET NO.:

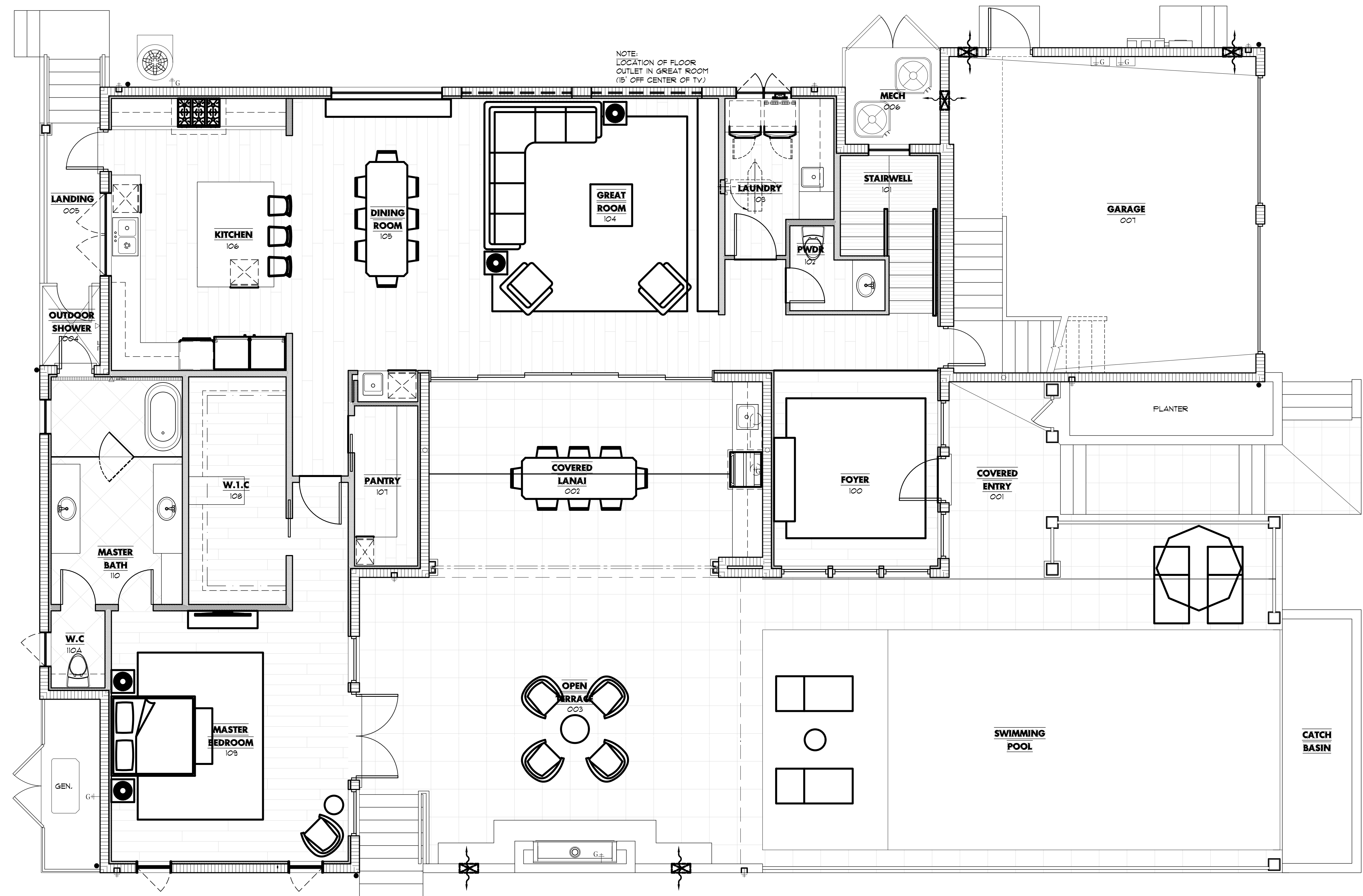


- ① 5" CROWN
- ② T CROWN
- ③ SHADE POCKET
- ④ TRANSOM HEADERS
- ⑤ WAINSCOT OR CHAIR RAIL DETAILS



UPPER LEVEL FLOOR PLAN (TRIM)

SCALE: 1/4" = 1'-0"

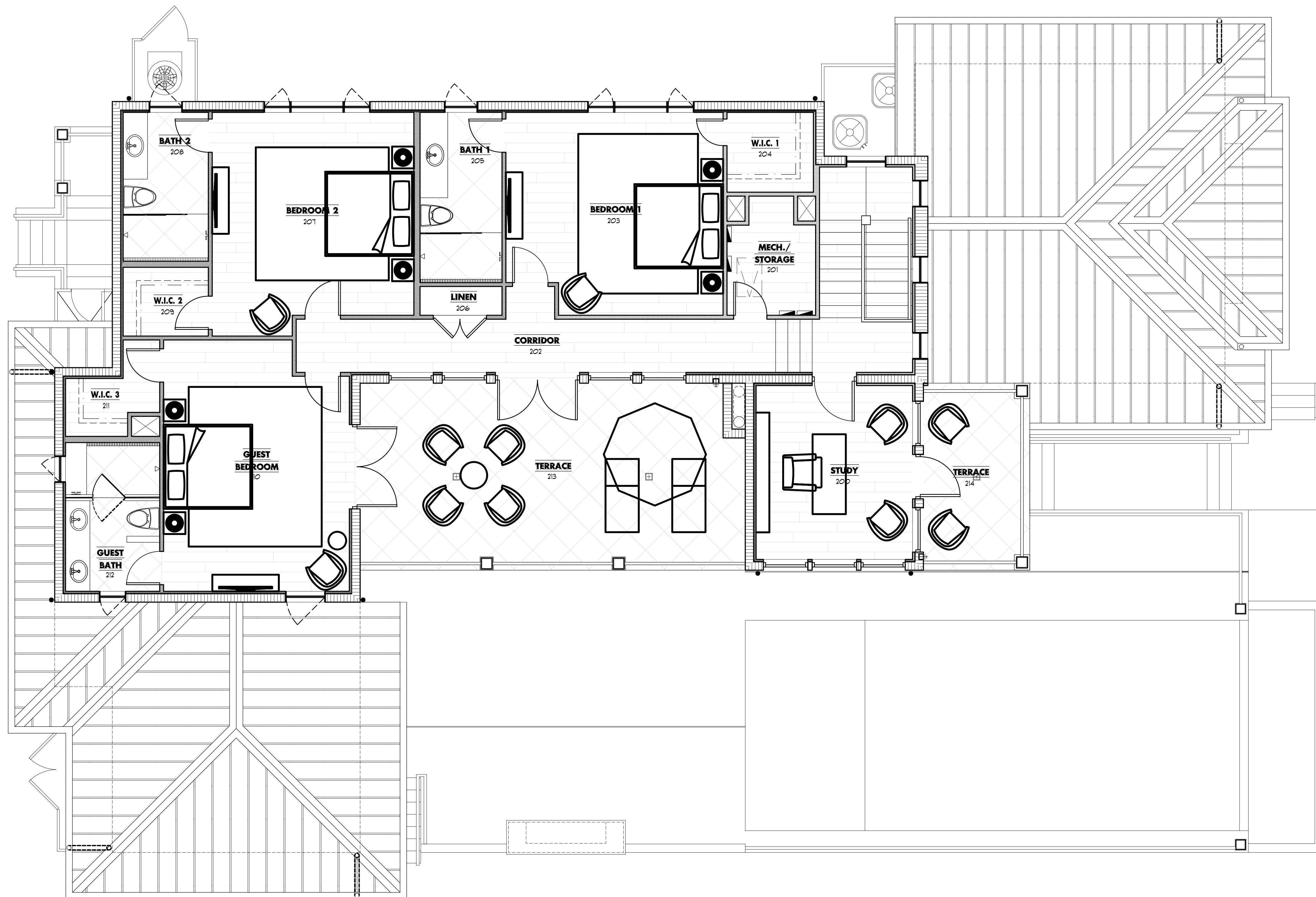


NORTH
MAIN LEVEL FURNITURE PLAN
SCALE: 1/4" = 1'-0"

MAIN LEVEL FURNITURE PLAN

DATE: 08 - 01 - 22
SCALE: AS NOTED
DRAWN: J.A.R.
JOB:
SHEET NO.:

10
12



UPPER LEVEL FURNITURE PLAN

SCALE: 1/4" = 1'-0"

UPPER LEVEL FURNITURE PLAN

DATE: 08 - 01 - 22
SCALE: AS NOTED
DRAWN: J.A.R.
JOB:

SHEET NO.:
ID
12.1