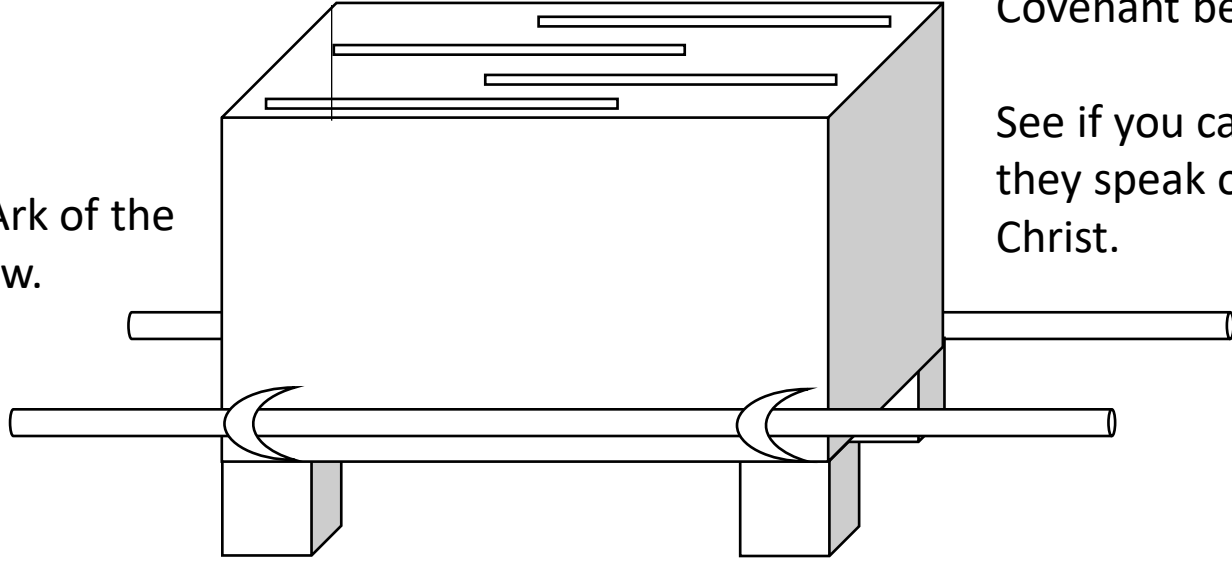


Art and craft time

March 28th 2021
The Tabernacle and the
pictures of Jesus in the
Ark of the Covenant and
its Mercy Seat
Sunday School
Craft activity sheets

Colour in the Ark of the Covenant below.



Cut out the strips above and fit them into the Ark of the Covenant below.

See if you can remember how they speak of the Lord Jesus Christ.



10 Commandments

I have not
come to
abolish them
but to fulfil
them

Matthew
5 vs 17



Jar of Manna

Jesus said, "I
am the bread
of life.

John 6 vs 35



Mercy Seat

Jesus sat
down at the
right hand of
God,

Hebrews 10
vs 12



Rod of Aaron
Jesus has
become a
high priest
forever
Hebrews
6 vs 20

Link the column in the Left to the column on the Right

The 10 commandments



The jar of Manna



The rod of Aaron



The Cloud



The Mercy Seat



The Ark of the Covenant



The Most Holy Place



The Angels



Carried on 2 poles



The Lord appeared between the angels



Jesus placed his Blood here



Jesus fulfilled the law



They were formed from one piece of Gold with the base



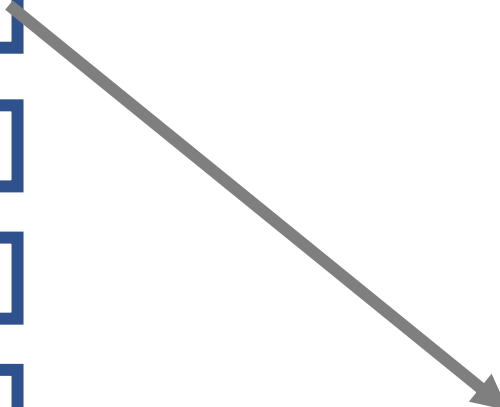
Jesus is the true Priesthood



Jesus is the bread of life



The Place where Jesus sits



B	B	D	A	A	R	O	N	Y	Z	X	U	Z	V	F	I	R	E	Y
M	J	P	C	S	L	G	V	H	C	E	Y	L	B	N	C	G	B	S
L	U	M	A	F	B	H	B	M	X	M	K	B	Q	K	O	J	A	X
D	N	R	S	T	O	O	N	C	L	O	U	D	Q	R	M	H	D	L
N	E	H	I	P	S	L	K	D	K	S	Y	C	W	A	M	P	M	M
Z	F	H	A	T	L	Y	O	Y	D	T	G	X	N	W	A	X	A	B
A	R	K	-	O	F	-	T	H	E	-	C	O	V	A	N	E	N	T
N	C	N	W	M	P	P	W	N	U	H	Z	G	W	G	D	K	N	T
G	V	I	O	V	L	L	Z	F	Q	O	K	E	H	B	M	B	A	T
E	R	R	O	D	N	A	M	H	F	L	G	I	K	C	E	Q	A	T
L	P	D	D	M	W	C	B	E	A	Y	R	G	P	E	N	F	O	X
S	Y	K	F	V	Y	E	T	B	G	-	D	O	D	Y	T	E	Q	I
F	R	A	J	W	Q	S	Y	B	W	P	O	L	E	S	K	Z	S	G
F	F	U	I	O	E	D	U	B	U	L	D	D	I	U	N	N	X	J
R	T	C	W	H	G	G	L	T	F	A	D	N	U	R	N	A	T	X
R	D	M	G	L	T	K	M	E	R	C	Y	Q	V	F	D	L	T	A
H	L	X	D	N	C	N	D	J	Z	E	T	X	V	B	J	K	Y	U

Find the 12 words below in the word search.

See the if you can remember how these items point to Lord Jesus.

HOLY-PLACE
MOST-HOLY-PLACE
CLOUD
ANGELS
GOLD
POLES
ACASIA-WOOD

AARON
ROD
COMMANMENT
MERCY-SEAT
MANNA
ARK-OF-THE-COVENANT
FIRE