

Art and craft time

March 14th 2021

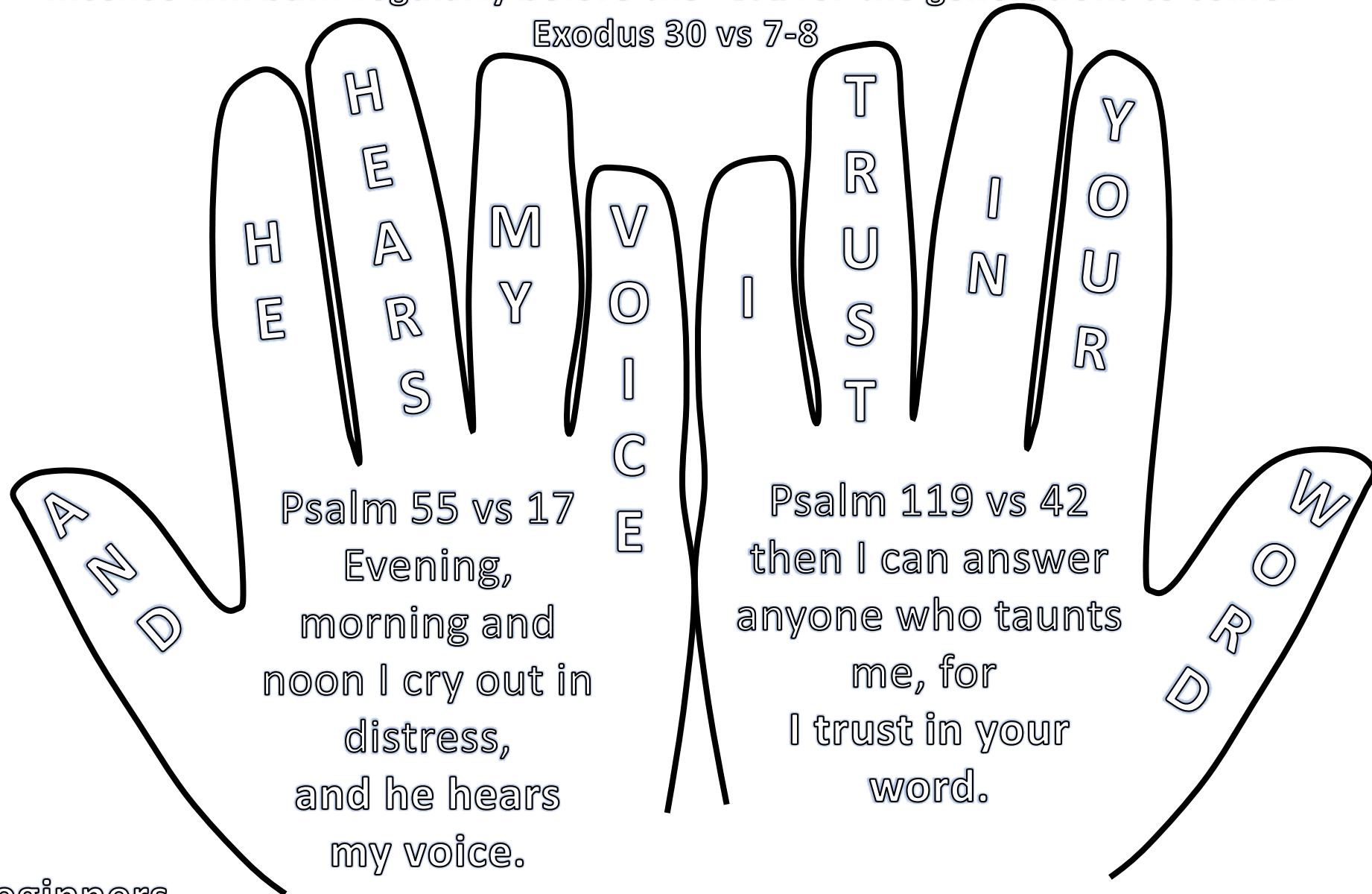
The Tabernacle and the
pictures of Jesus in the
Altar of Incense

Sunday School

Craft activity sheets

“Aaron must burn fragrant incense on the altar every morning when he tends the lamps. He must burn incense again when he lights the lamps at twilight so incense will burn regularly before the Lord for the generations to come.

Exodus 30 vs 7-8



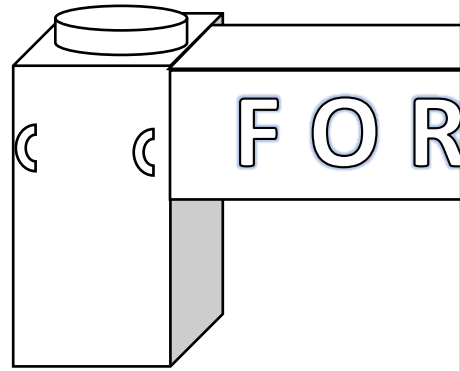
Beginners

Luke 22 vs 32

Juniors

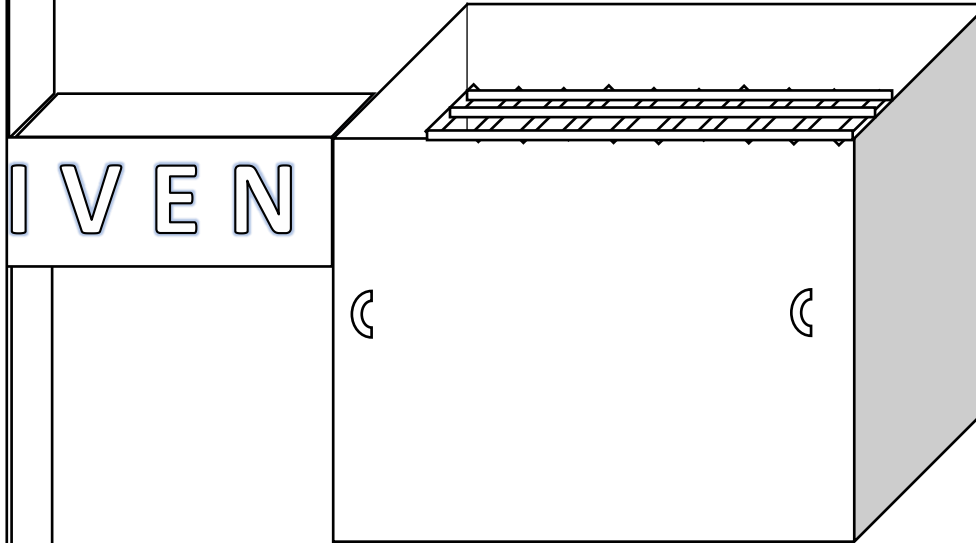
But have
 may not .

for , Simon, that



Altar of incense =
Prayer offering

J
U
D
G
E
M
E
N
T



Brass Altar =
Sin offering

prayed

you

your

fail

faith

I

Read the passage in the NIV Bible and find where the following missing words below fit.

Exodus 30

30 'Make an of wood for burning incense. 2 It is to be square, a cubit long and a cubit wide, and two cubits high – its horns of one piece with it. 3 Overlay the top and all the sides and the horns with , and make a gold moulding around it. 4 Make rings for the altar below the moulding – on each of the opposite sides – to hold the used to carry it. 5 Make the poles of acacia wood and overlay them with gold. 6 Put the altar in front of the curtain that shields the ark of the covenant law – before the atonement cover that is over the tablets of the covenant law – where I will meet with you.

7 'Aaron must burn fragrant on the altar every morning when he tends the lamps. 8 He must incense again when he lights the lamps at twilight so that incense will burn before the Lord for the to come. 9 Do not offer on this altar any other incense or any burnt offering or grain , and do not pour a drink offering on it. 10 Once a year Aaron shall make atonement on its horns. This annual atonement must be made with the blood of the atoning sin offering for the generations to come. It is to the Lord.'

burn

two

pure gold

acacia

most holy

poles

generations

offering

Seniors

two gold

regularly

altar

incense