

# infinity *Scaffold*

## Transport Platform **SC20**

Scanclimber Transport Platform is a lightweight and highly effective vertical access machinery. Apart from simplicity of operation and versatile applicability, Infinity's Transport Platforms are easy to install and offer first in class reliability.



# Transport Platform

## Safe and cost-effective

**THE TRANSPORT PLATFORM** has been specifically designed for smaller building and renovation projects. This makes it a perfect choice and tool for rental and scaffolding companies. Because of its multi-purpose use, fast installation and extra safety features, the transport platform provides a high return on investment – and still meets the stringent requirements of the American National Standards.

**DURING RECENT YEARS**, Scancalmer has become one of the world technology leaders in rack and pinion transport platforms.

**QUALITY AND SAFETY** are key factors in all Infinity products. The designers of the transport platforms have kept the technological advancements according to high quality and safety standards, but at a cost which is affordable for smaller projects.

**TWIN MAST** can handle a max. 4410 lbs. The maximum passenger loading capacity is 11. Competitors typically offer 7 passenger.

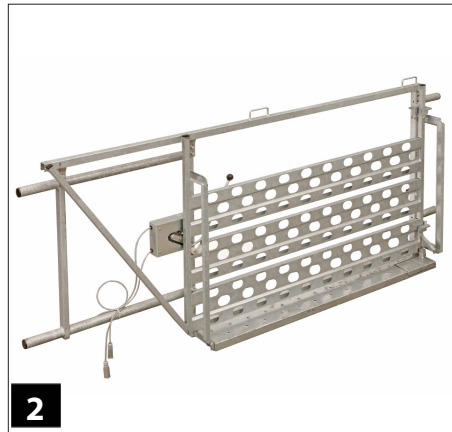
**THE TRANSPORT PLATFORM** is especially suitable for projects at lower building heights (under 330 feet). Thanks to their modular design both the mast and platform lengths can be extended; for instance the platform length varies from 5'7" to 16'9".

**TRANSPORT PLATFORMS** provide an ergonomic friendly solution as opposed to the traditional labor intensive practices followed by various markets in the global construction industry. The usage of transport platforms enable convenient installation, easy loading and unloading techniques, simple controls and present a reliable and safe vertical transportation method to the construction sites.





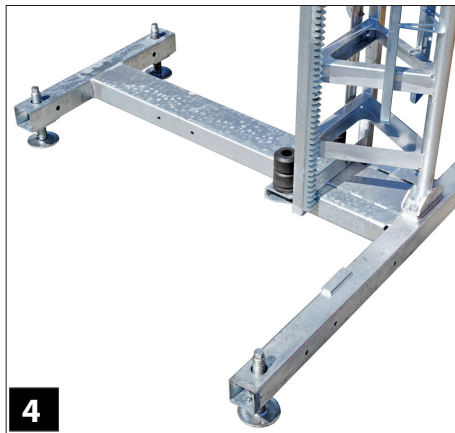
**1**



**2**



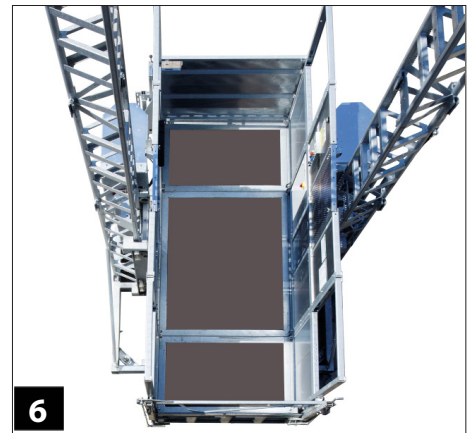
**3**



**4**



**5**



**6**

# Details

## Safety

**1** A **MECHANICAL**, spring-loaded safety brake is a standard safety feature of all transport platform models. It improves the safety and reliability of the machine in everyday use. The highly-durable safety brake is well protected from dirt and dust and is practically maintenance-free.

## Landing gates

**2** **THE TRANSPORT PLATFORM** is the first product of its class which has both a sliding gate, opening either to the left or to the right side, and a double wing gate, also known as a saloon door. Different gate options increase versatility. All surfaces are hot-dip galvanized against corrosion.

## Loading and unloading

**3** **THE PLATFORM LOADING GATE** can be with or without a 3'11" long ramp. The unloading to the building is done with a ramp. The manually-operated ramp has a length of 26".

## Portability

**4** **ALL TRANSPORT PLATFORM** models are easy to transport and relocate. Thanks to their own rigid ground frame, the installation, dismantling and transportation of the platform is quick and easy and thus very cost-effective.

## Assembly bridge

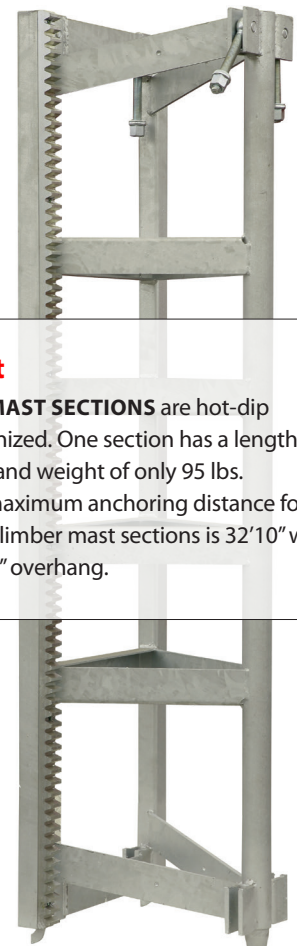
**5** A **FOLDABLE** assembly bridge is optionally available for all transport platform models to ease the erection of the mast and its anchoring. It ensures safe and smooth installation and dismantling of the platform. The maximum loading capacity is 260 lbs.

## Platform

**6** **PLATFORM MODULES** are available in two sizes: 4'7" x 5'7" and 4'7" x 2'9". Thanks to their modular design, the length of a platform is quick and easy to adjust. All the steelwork is hot-dip galvanized. The floor is made of roughened, weatherproof plywood.

## Mast

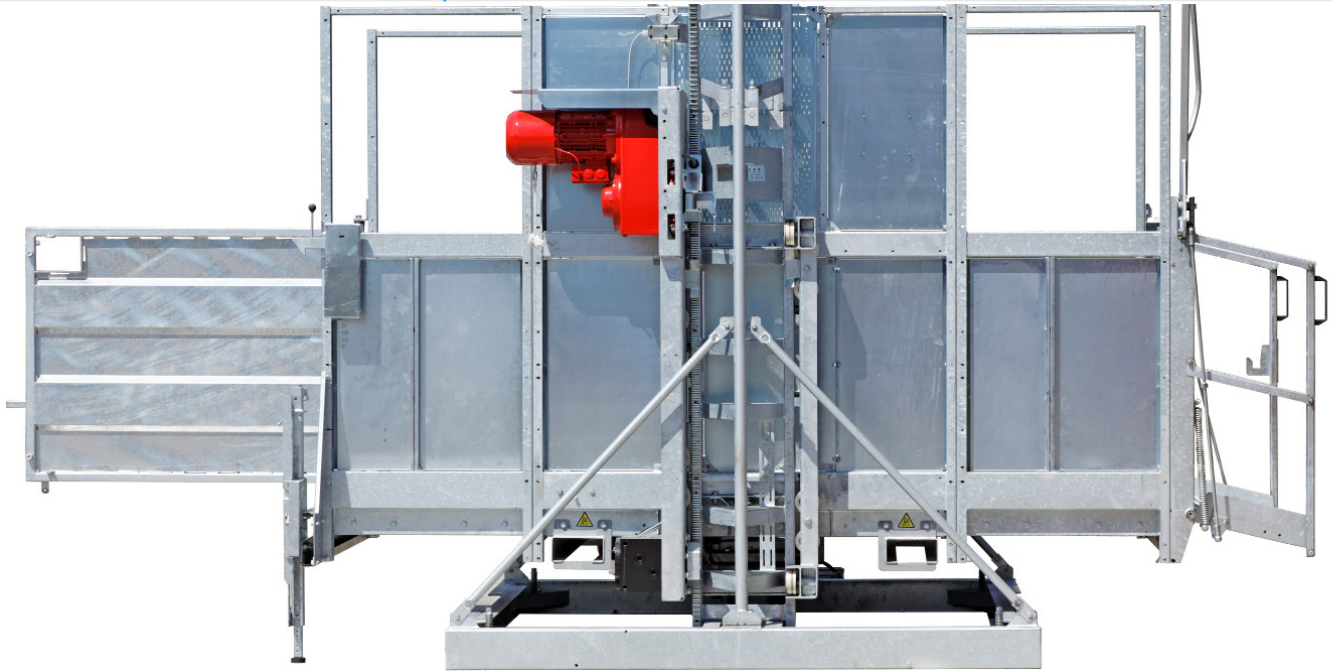
**ALL MAST SECTIONS** are hot-dip galvanized. One section has a length of 4'11" and weight of only 95 lbs. The maximum anchoring distance for Scanclimber mast sections is 32'10" with a 9'10" overhang.





# Technical Data

SC20	
Usage	Transport platform
Payload depending on configuration	11 persons/4410 lbs
Speed	40 ft/min
Lifting motor	2 x 4 Hp
Overspeed safety device	x
Automatic lubrication system	x
On-board diagnostics	x
Max. lifting height, with tied mast	330' (higher mast by request)
Max. distance between two ties	32'10"
Max. free mast after topmost tie	13'2"
Cage sizes	4'6" x 5'7"
	4'6" x 11'2"
	4'6" x 16'9"
	5'7" x 9'1"
	5'7" x 13'10"
Mast section, hot-dip galvanized	4'11" / 95 lbs
Power supply	208 V / 60 Hz
Operation temperature	-13...+104° F
Noise level	< 78 dBA



Infinity Scaffold, Inc. is proud to be the Midwest supplier for Scanclimber products.

**SCANCLIMBER**®  
by Tractel®

