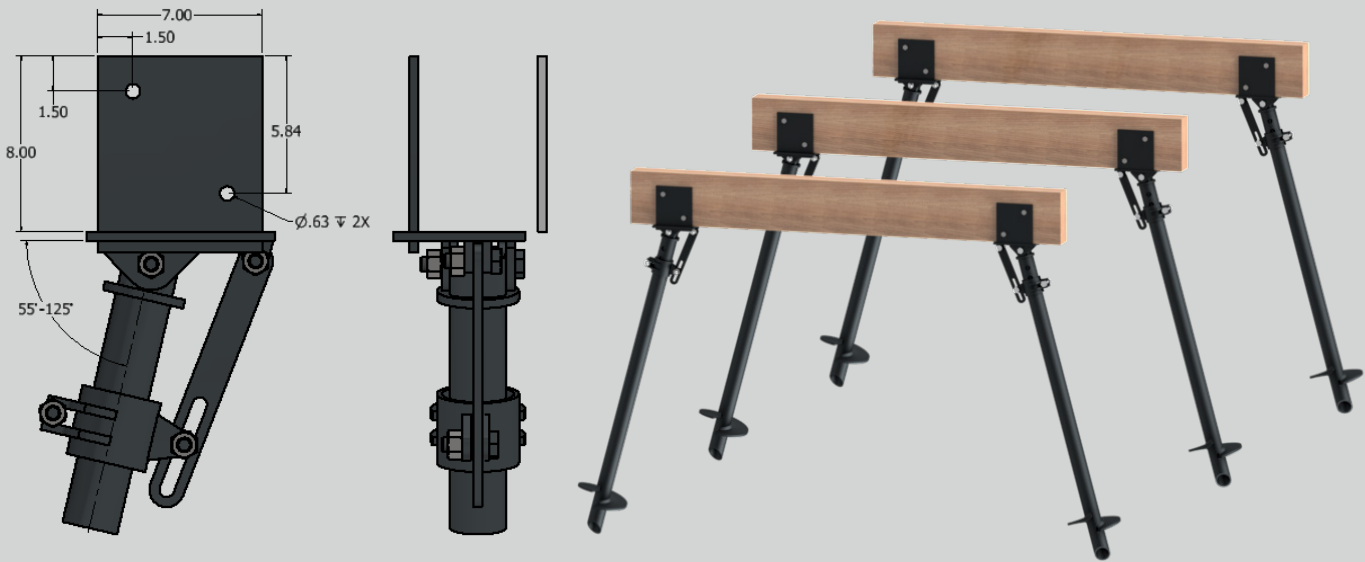


BOARDWALK PILE CAPS

ADJUSTABLE ANGLED PILE CAPS



PART NUMBER	PILE SHAFT \varnothing
APC288217888	2.375"
APC3502541048	2.875"
APC3502541088	2.875"
APC450226101010	3.5"

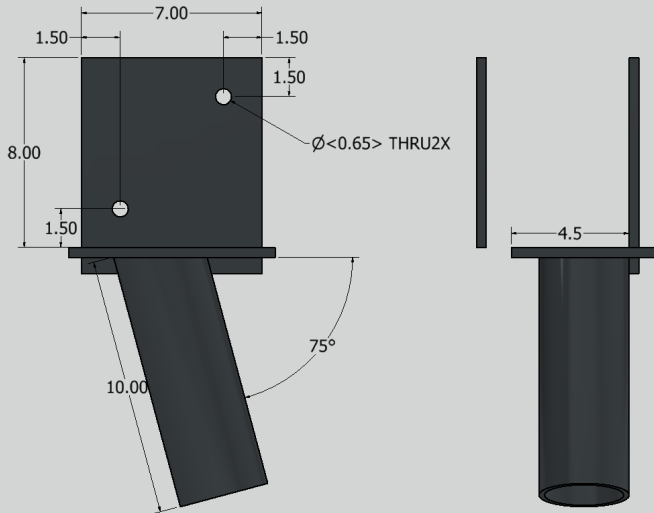
1. TUBULAR MATERIALS TO MEET OR EXCEED REQUIREMENTS OF API 5CT L80, 80 KSI Fy.
2. FLAT METAL TO MEET OR EXCEED REQUIREMENTS OF ATSM A572, GRADE 50.
3. ALL WELDING TO BE PERFORMED BY CERTIFIED WELDOR IN ACCORDANCE WITH AWS D1.1 STRUCTURAL WELDING CODE.
4. HOT DIP GALVANIZING PER ASTM A153/ASTM A123. BARE STEEL IS ALSO AVAILABLE.
5. HELICAL PILE ASSEMBLIES MANUFACTURED IN ACCORDANCE WITH ICC-ES AC358 ACCEPTANCE CRITERIA FOR HELICAL FOUNDATION SYSTEMS AND DEVICES.

1-833-641-7111



BOARDWALK PILE CAPS

NON-ADJUSTABLE ANGLED PILE CAPS



PART NUMBER	PILE SHAFT \varnothing
FPC288217888	2.375"
FPC3502541048	2.875"
FPC3502541088	2.875"
FPC450226101010	3.5"

1-833-641-7111

