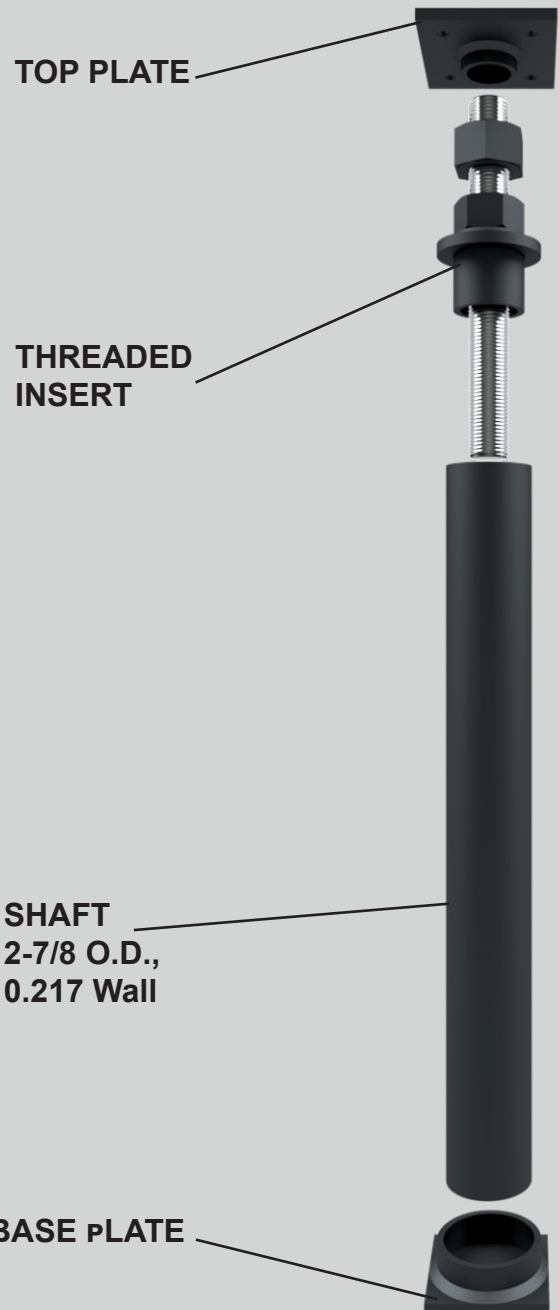
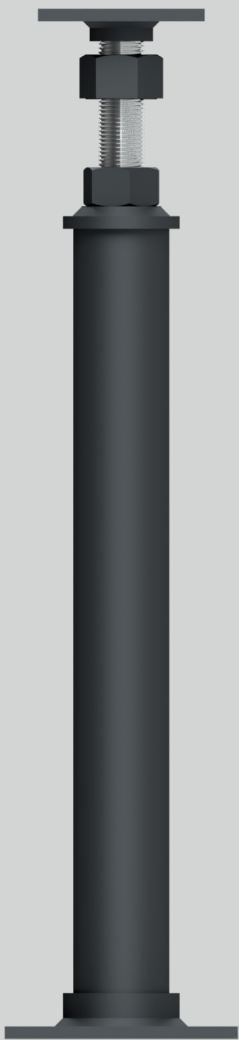


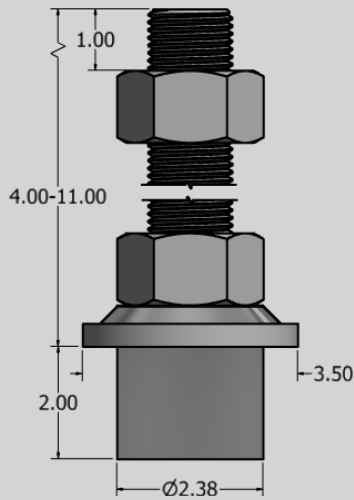
CRAWLSPACE SCREW JACK

Precision Piers crawlspace jacks are engineered to offer essential reinforcement for addressing sagging floors above crawl spaces. They effectively eliminate bounce and squeak caused by insufficient support, providing a robust supplemental support system with an impressive ultimate capacity of 80,000lbs. These products are meticulously designed and engineered to deliver superior performance, particularly in situations where current column supports have deteriorated or sunk.

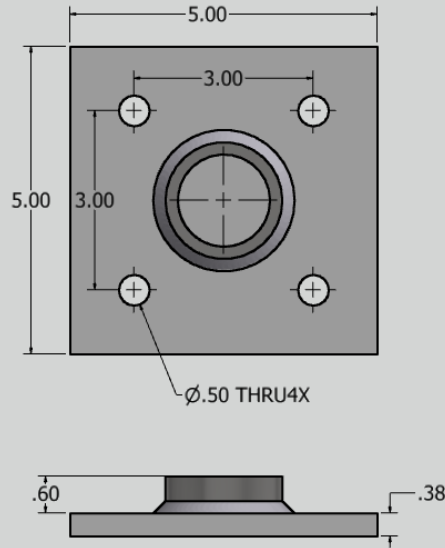


1-833-641-7111

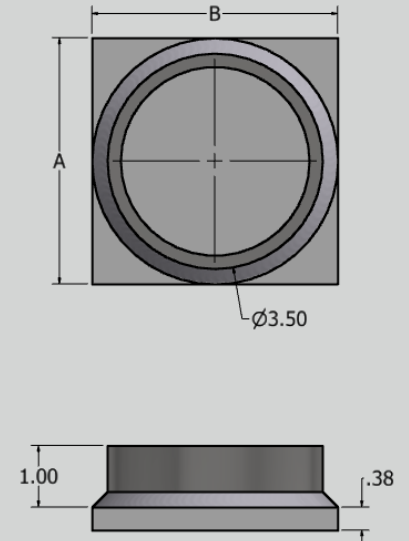
CRAWLSPACE SCREW JACK



**INSERTABLE
SCREW JACK**



TOP PLATE



BASE PLATE

PART NUMBER	DESCRIPTION	DIMENSIONS (AxB)
SJ238411138	SCREW JACK	
FJTP050538	TOP PLATE	
FJBP2383535	BASE PLATE	3.5"x3.5"
FJBP2380707	BASE PLATE	7"x7"

1-833-641-7111

