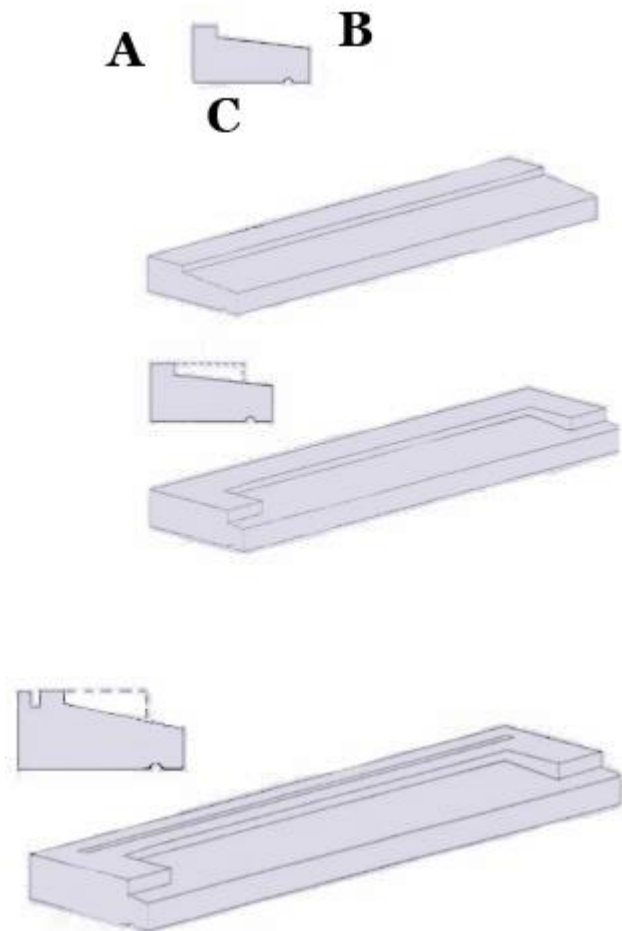


## HAMPTON STONE CILLS



---

Standard Cill Sections - All sizes are available with or without stooling's/groove for water-bar.

## Hampton Cast Stone

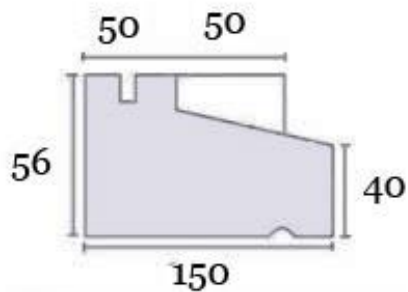
Unit 7 Merretts Mill, Woodchester, Stroud, Gloucestershire, GL5 5EU

01453 836677

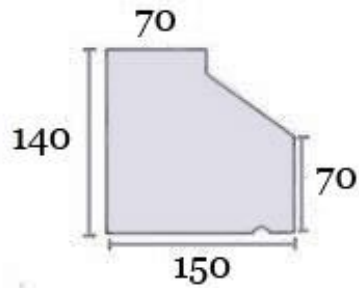
[hamptoncaststone.co.uk](http://hamptoncaststone.co.uk)

[sales@hamptoncaststone.co.uk](mailto:sales@hamptoncaststone.co.uk)

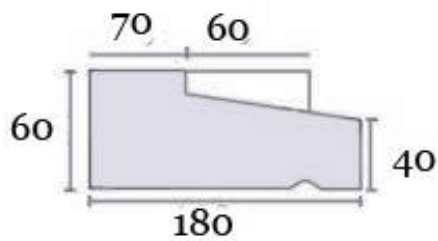
## HAMPTON STONE CILLS



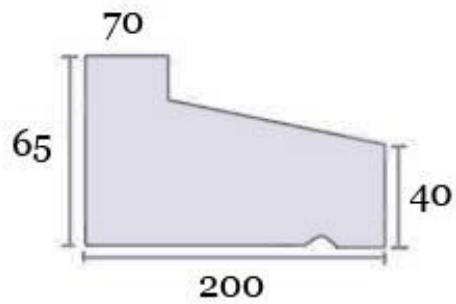
150 x 65 MM High



150 x 140 MM High



180 x 65 MM High



200 x 65 MM High

---

## Hampton Cast Stone

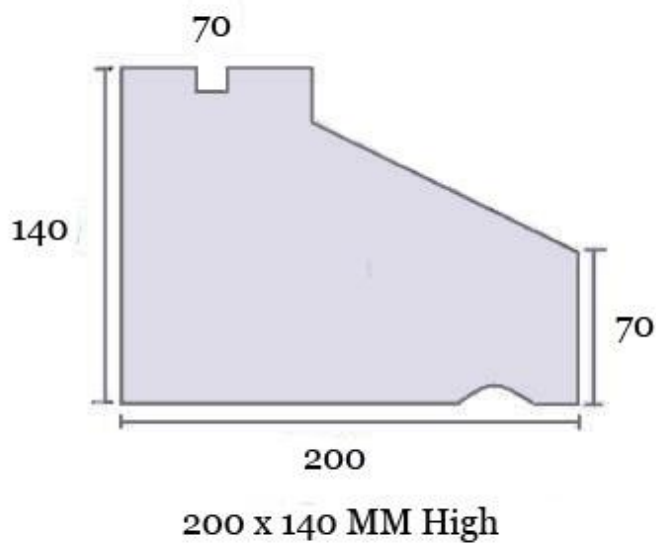
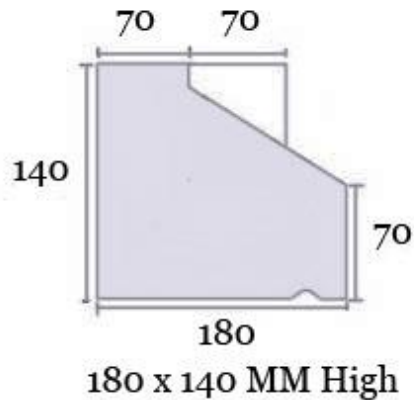
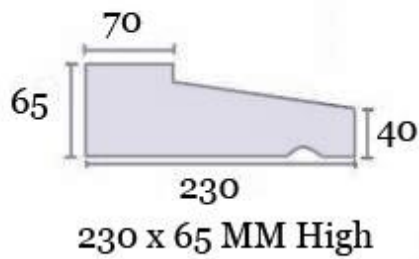
Unit 7 Merretts Mill, Woodchester, Stroud, Gloucestershire, GL5 5EU

01453 836677

[hamptoncaststone.co.uk](http://hamptoncaststone.co.uk)

[sales@hamptoncaststone.co.uk](mailto:sales@hamptoncaststone.co.uk)

## HAMPTON STONE CILLS



---

Cills are also available in the following sizes:

230 x 140mm high 165 x 65MM High  
305 x 100mm high 140 x 215MM High  
275 x 140mm high 355 x 140MM High  
416 x 140mm high

Maximum length in one piece is 1500mm. Cills exceeding this will be made in two pieces or more, depending on overall length.

## Hampton Cast Stone

Unit 7 Merretts Mill, Woodchester, Stroud, Gloucestershire, GL5 5EU

01453 836677

[hamptoncaststone.co.uk](http://hamptoncaststone.co.uk)

[sales@hamptoncaststone.co.uk](mailto:sales@hamptoncaststone.co.uk)