

Suppressor Mounting Systems Guide

First off, for your S.A.W. suppressors, we suggest to use a multi-port brake, or diffuser type muzzle device to improve the performance and durability your suppressor. Specifically, We recommend the Silencer Co, ASR 3 port brake. Each port acts to disperse the high energy gases, and absorb the damages those gases can cause under high rates of fire.

Second off: Our Blast baffle will only fit muzzle devices that protrude 1.5 inches into the blast chamber. This covers the vast majority of muzzle devices, however there are some extra long flas

Now, the information you came for. Choosing the right suppressor mounting system is key to getting the best performance, reliability, longevity, and ease of use out of your gear. If you're getting into suppressors or optimizing your setup, picking the right mounting system will help to ensure a positive experience.

It doesn't have to be complicated; in this guide, we will walk you through the most common mounting systems—including HUB Universal Mounts, Direct Thread Mounts, Quick Detach (QD) Mounts, Piston Systems, Tri-Lug Mounts, and Taper Mounts. You'll learn about their unique features, advantages, and applications, as well as tips for improving suppressor performance, like using thread-locking compounds or exploring ecosystem-compatible options. By the end, you'll have the knowledge to confidently choose the system that best fits your needs and shooting style.



HUB Universal Mount System (HUB)

Let's start with the HUB system because it's not exactly a mount but an industry-standard interface. The HUB Universal Mount (or hybrid universal base) acts as a connection point that allows interchangeability between suppressors and mounts. This system makes it easy to switch

between different adapters and configurations, creating a versatile and future-proof setup for your firearm. A Suppressor HUB / Universal Mount is going to be threaded in 1.375x24 or 1 3/8x24. This has become the industry standard thread pitch for rifle/PCC oriented suppressors

Advantages

- **Flexibility:** Compatible with a wide variety of suppressors and mounting options
- **Interchangeability:** Allows you to seamlessly swap mounts across different mounting ecosystems without committing to a single solution or brand
- **Ecosystem Support:** The HUB system works with popular mount options like the Silencer Co. ASR, Dead Air Keymo, Rearden Atlas series, Q Cherry Bomb, and Plan B mounts... etc; All of which form a robust ecosystem muzzle devices and mounting options of interchangeable parts

Applications

Whether you're setting up a multi-caliber rig or just want to keep your options open, the HUB system gives you room to grow. It's also great if you want to try taper-mounted or quick-detach systems later without being locked into a single brand.

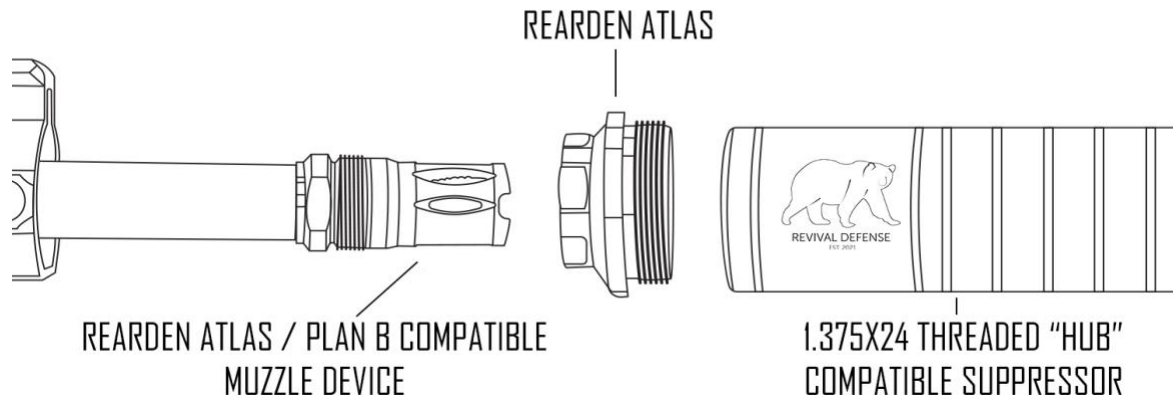


Pro - Tip: *Ecosystem*

The HUB interface supports a growing ecosystem of mounts and devices. The popular **Rearden Atlas mounts**, **Q Cherry Bomb** mounts use the same thread pitch and taper system that

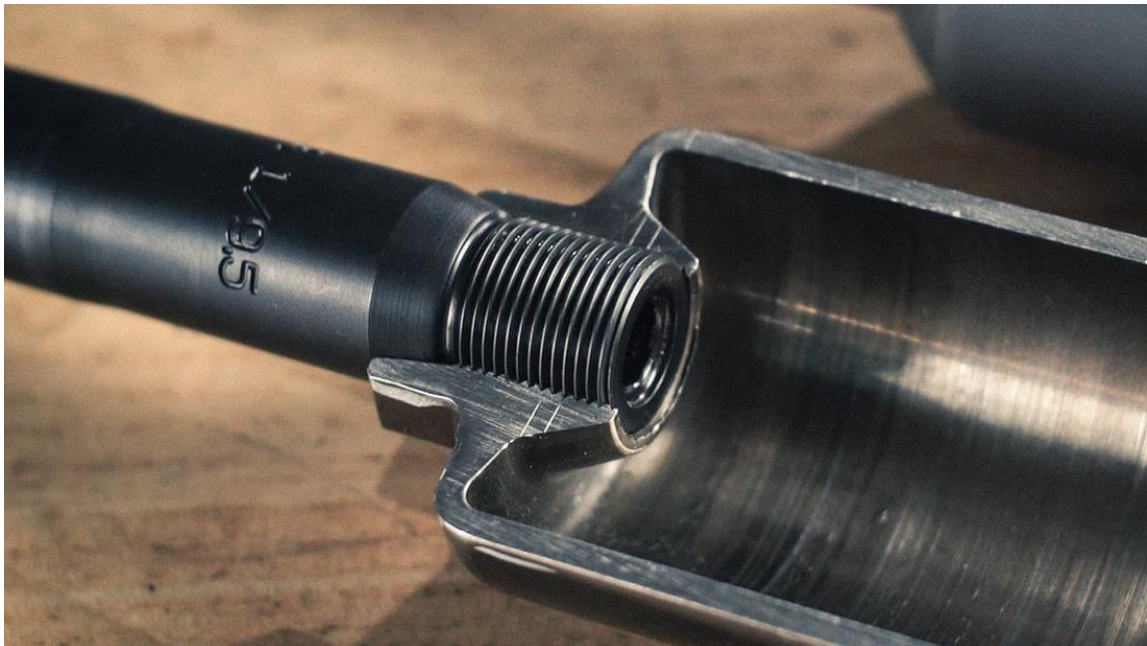
ensures compatibility and secure attachment. There are several other lesser known mounting brands that offer compatibility with this “Plan B” system.

This ecosystem enables suppressor users to explore a wide range of compatible products, offering unparalleled customization. With the HUB system, users can integrate components from different manufacturers without sacrificing reliability or performance.



Direct Thread Mounts

Direct thread mounts are the simplest and most straightforward option. As the name suggests, these suppressors screw directly onto the barrel threads without additional adapters or mechanisms. Their no-frills design makes them a go-to choice for anyone prioritizing a lightweight, compact setup. Direct thread mounts are great for hunting, or low rate of fire use (less than 20



rounds per min) However, these are potentially among the most damaging to suppressor blast baffles. A concentrated jet of gas from a bare muzzle can cause damage or premature wear to a suppressor, especially under high rate of fire use.

Advantages

- **Lightweight and Simple:** No extra moving parts or complicated systems to manage
- **Easily Accessible:** All sellers have direct thread mounts
- **Reliable Alignment:** Ensures consistent performance with minimal point-of-impact (POI) shift
- **Cost-Effective:** Typically more affordable compared to other mounting systems

Considerations

- **Prone to Loosening:** The lack of a taper or locking mechanisms combined with extended firing sessions can cause vibration that loosens the suppressor. This can be addressed using thread locking compounds like [Rocksett](#) or [Hot-lock](#) (available on Amazon).
- **Suppressor Blast Baffle Wear with Ported Muzzle Devices:** Pairing a suppressor with a ported muzzle device, such as a muzzle brake, can significantly reduce blast baffle wear. Muzzle brakes redirect gases and reduce the amount of high-velocity debris hitting the blast baffle, prolonging the suppressor's lifespan. This combination is highly effective for users looking to preserve their suppressor over prolonged use.

Applications

Direct thread systems are ideal for shooters who dedicate a specific suppressor to a single firearm, especially in long-range or hunting applications, and for those who are after cost effective solution or something simple. To reiterate, only use a direct thread solution on your S.A.W. Suppressors if your schedule of fire is below the prescribed amount. We strongly suggest that all semiautomatic firearms utilize a ported muzzle device.

Quick Detach (QD) Mounts

QD mounts are all about speed and versatility. They use specialized locking mechanisms to allow rapid attachment and removal of suppressors, making them great for tactical situations or

setups where you frequently switch between suppressed and unsuppressed shooting. These QD devices are still hub compatible, you will just need a muzzle devices that fits the selected QD device



Advantages

- **Quick Attach/Detach:** Perfect for users who may need to swap, or remove suppressors on a moments notice
- **Secure Fit:** Designed to minimize suppressor movement and ensure consistent alignment
- **Versatility:** Ideal for multi-firearm setups

Types of QD Systems

- **Ratchet Systems:** Feature a ratcheting mechanism for a tight and repeatable fit
- **Cam-Lock Systems:** Use a camming action to create a secure attachment

Applications

QD systems are perfect for users who need to configure their firearms for different scenarios quickly. They're often favored in tactical and competitive shooting environments where every second counts. BUT QD mounts do require more maintenance as carbon buildup can affect performance, so make sure that you are cleaning them regularly.

Examples:

- **Silencer Co ASR Mounts:** The Active Spring Retention (ASR) system enables quick and secure suppressor attachments across various platforms, there are several manufacturers making ASR compatible muzzle devices.
- **Dead Air KeyMo System:** KeyMo provides a robust and reliable QD mechanism compatible with several suppressor models.

- **Yankee Hill Machine (YHM) QD Mounts:** YHM offers QD mounts known for their ease of use and solid lockup, which are suitable for various calibers
- **Griffin Armament QD Mounts:** Griffin's QD systems are designed for seamless suppressor attachment and detachment, enhancing versatility
- **SureFire SOCOM QD Mounts:** SureFire's SOCOM series features QD mounts engineered for rapid deployment and high durability



Pistol Piston Systems (Booster Systems)



Piston systems, also called booster systems, are specifically designed for use with semi-automatic pistols. These systems compensate for the tilting barrel mechanism in recoil-operated handguns, ensuring reliable cycling when a suppressor is attached. These boosters are required for reliable function of the firearm with the suppressor attached.



Advantages

- **Smooth Cycling:** Essential for maintaining function and reliability in recoil-operated firearms.
- **Modularity:** Swappable pistons make it easy to adapt to different thread patterns.

Considerations

- **Maintenance Required:** Regular cleaning is necessary to prevent carbon buildup from affecting performance.
- **Increased potential for mis Alignment:** Adding a moving part to the system increases potential for suppressor to barrel alignment.

Examples:

- **SilencerCo Pistons:** SilencerCo offers a variety of pistons to accommodate different thread patterns, enhancing suppressor compatibility.
 - **Dead Air Pistons:** Dead Air's pistons are designed for durability and adaptability across various handgun suppressors.
 - **Griffin Armament Pistons:** Griffin provides modular piston systems allowing users to switch between thread pitches easily.
 - **Rugged Suppressors Pistons:** Rugged's piston systems are built for reliability and ease of maintenance, suitable for multiple handgun models.
 - **Gemtech Pistons:** Gemtech offers a range of pistons compatible with their suppressors, facilitating use on different host firearms.
-

Tri-Lug Mounts

Tri-lug mounts are commonly used with submachine guns and pistol-caliber carbines. They're designed for rapid attachment and detachment without requiring threads or locking mechanisms, making them very convenient.



Advantages

- **Fast Attachment:** Quickly attach or detach suppressors in the field.
- **Durability:** Minimal wear compared to threaded mounts.

Applications

Tri-lug systems are perfect for high-volume shooters who prioritize speed and simplicity, especially in close-quarters or tactical environments.

Examples:

- **SilencerCo 3-Lug Mount:** Designed for quick attachment on compatible firearms, enhancing versatility.
 - **Griffin Armament 3-Lug Mount:** Griffin's 3-lug adapters are precision-made for secure and repeatable mounting.
 - **Dead Air 3-Lug Adapter:** Dead Air provides robust 3-lug adapters compatible with their suppressors, ensuring quick transitions.
 - **B&T 3-Lug Mount:** B&T offers high-quality 3-lug mounts suitable for various submachine guns and carbines.
 - **Rugged Suppressors 3-Lug Mount:** Rugged's 3-lug mounts are designed for durability and ease of use in rapid attachment scenarios.
-

Taper Mounts

Most of the above eco-systems utilize taper alignment systems.

Taper mounts use a precisely machined tapered surface to align and secure the suppressor to the barrel. Tapers do a great job of sealing off gasses, ensuring consistent alignment. The friction of the tapered surface also helps to prevent loosening of the threads.

Advantages

- **Exceptional Precision for repeated alignment:** Perfect for long-range and precision shooting, remove and install your suppressor without a POI shift
- **Resistant to Loosening:** Handles sustained fire without compromising alignment

Applications

Taper mounts are favored by competition shooters and hunters who demand consistency and reliability in their equipment.

Examples:

- **Griffin Armament Taper Mounts:** Griffin's taper mounts are engineered for precision alignment and secure attachment
- **Dead Air Xeno Mount:** The Xeno system offers a lightweight and robust taper mount solution for suppressor attachment
- **Area 419 Hellfire Taper Mount:** Area 419's Hellfire mount provides a repeatable and secure taper mounting system
- **SilencerCo Charlie Taper Mount:** SilencerCo's Charlie mounts utilize a taper design for enhanced suppressor alignment and stability
- **Rugged Suppressors Taper Mount:** Rugged's taper mounts are designed to ensure consistent suppress



Key Considerations and Ecosystem Options

Utilizing Thread Locking Compounds

One common challenge across all mounting systems is suppressor loosening during use. This issue can be mitigated with thread-locking compounds like **Rocksett** or **Hot-lock**, which provide a secure bond while allowing for eventual removal when needed. **Do not use a thread locking compound on the QD mechanism or thread that you want to come loose to remove the suppressor.**

- Use a thread-locking compound on the muzzle device - barrel threads and torque to spec (~30 ft-lbs)
- Utilize a thread locking compound on the HUB thread to device connection

Exploring the Ecosystem

The suppressor mounting world includes an extensive ecosystem of products that support advanced customization. Explore the options, there is a purpose and merit behind all the mounting system designs. Use case, price, weight, muzzle device options, added length, materials... these are factors to consider when making your selection.

Enhancing Suppressor Performance

For many suppressors, adding a muzzle brake improves performance and reduces blast baffle wear. This simple addition can significantly extend the life of your suppressor while enhancing accuracy and recoil management. From the team at S.A.W. Suppressors we suggest the ASR three port brake and the robustness of the Silencer Co ASR eco-system.

We hope this helps to answer your questions, and improve your experience with your suppressor.