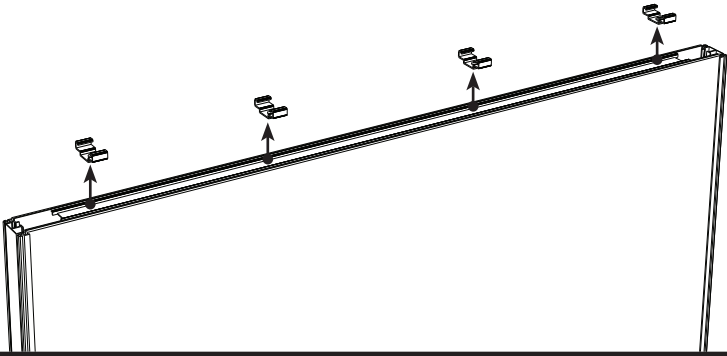


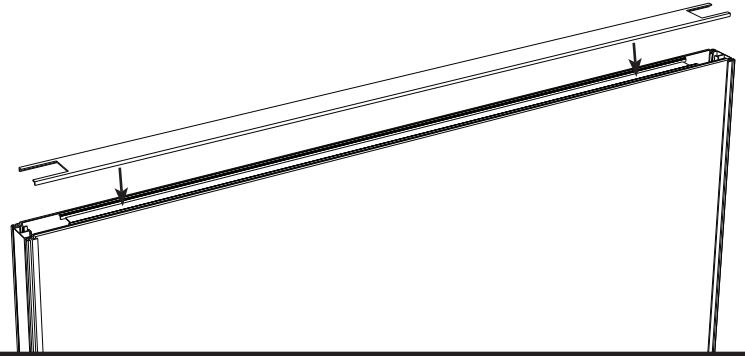
Step-1:

- Remove top cap clips from panel



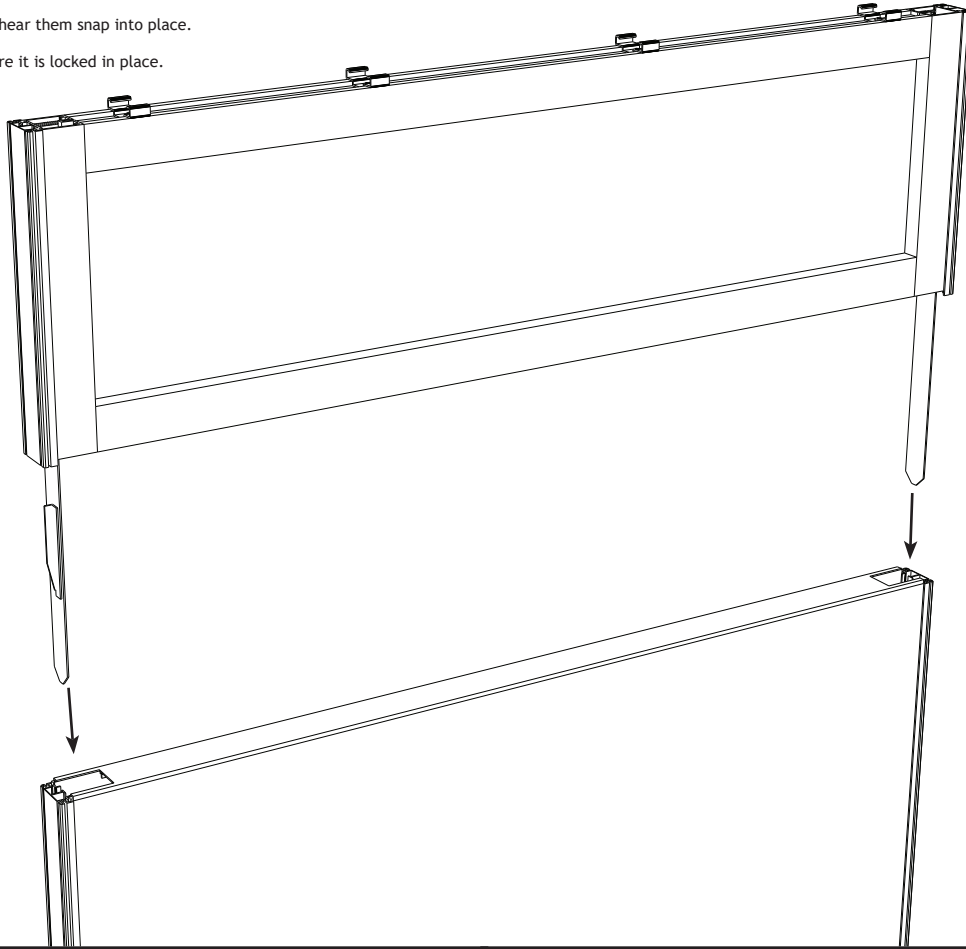
Step-2:

- Place GLAO transition strip on top of the panel



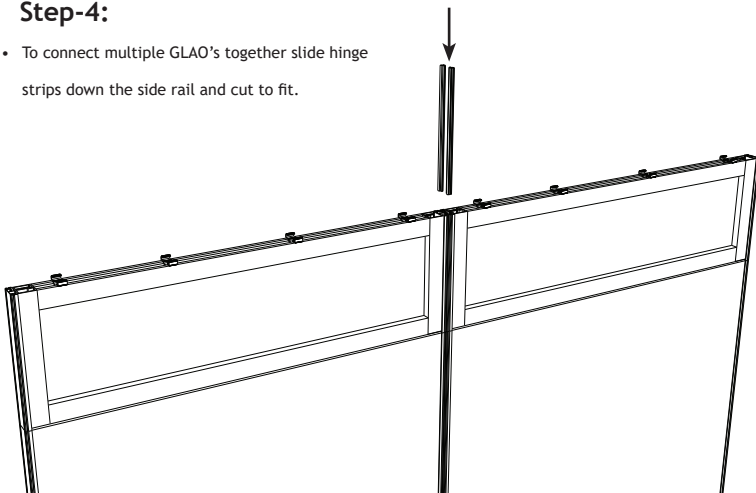
Step-3:

- Slide GLAO flanges into panel until you hear them snap into place.
Pull up on the GLAO slightly to make sure it is locked in place.



Step-4:

- To connect multiple GLAO's together slide hinge strips down the side rail and cut to fit.



Step-5:

- Snap panel top cap onto the installed GLAO

