



# TABLES & BASES

PRICE BOOK



	<b>PAGE</b>
FREIGHT POLICY	<b>4</b>
FINISHES	<b>5-7</b>
CRUCIAL TABLE LEGS	<b>8-16</b>
RIGID TABLE LEGS	<b>17-21</b>
SLANT TABLE LEGS	<b>22</b>
SCULPT TABLE LEGS	<b>23</b>
ECHO TABLE LEGS	<b>24-26</b>
SIT-TO-STAND	<b>27-29</b>
WORKSURFACES	<b>30-41</b>
SUPPORT BRACKETS	<b>42-44</b>
HANGING MODESTY	<b>45</b>
DESKTOP POWER	<b>46-47</b>
TERMS & CONDITIONS	<b>48</b>

**FOR HELP WITH DESIGN CONTACT:**  
DESIGN@RESY.NET

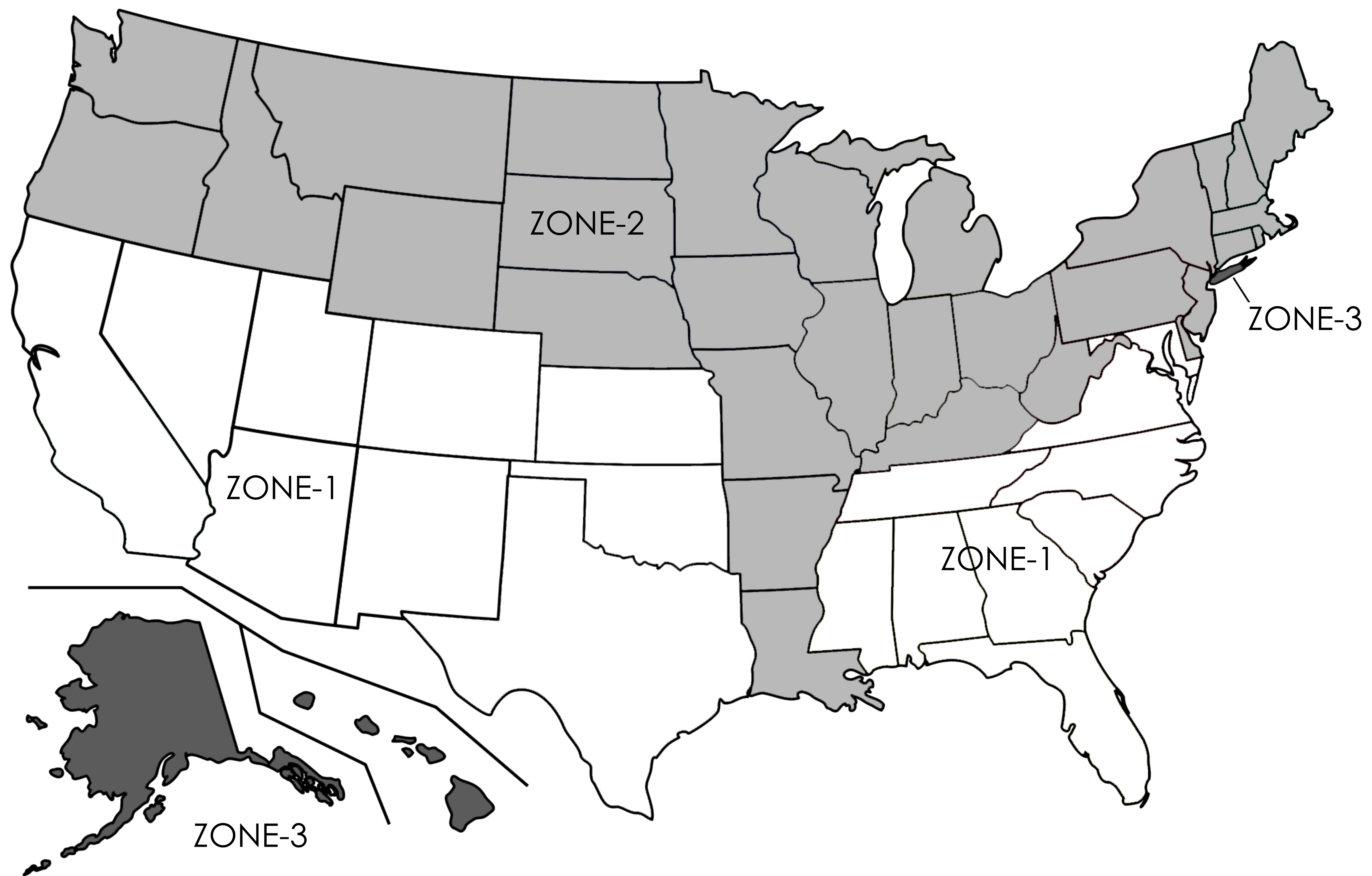
**FOR HELP WITH ORDER ENTRY CONTACT:**  
CUSTOMERSERVICE@RESY.NET

**RSI**  
**235 S. 56TH ST.**  
**CHANDLER, AZ 85226**  
**800-280-5000**

**RSISYSTEMSFURNITURE.COM**



# FREIGHT POLICY



## ZONE-1

TOTAL LIST PRICE	FREIGHT COST
\$0 - \$10,000	\$200
\$10,001 - \$25,000	10% OF ORDER (NET OF DISCOUNT)
\$25,001 - \$50,000	5% OF ORDER (NET OF DISCOUNT)
\$50,001 +	FREE FREIGHT

## ZONE-2

TOTAL LIST PRICE	FREIGHT COST
\$0 - \$10,000	\$200
\$10,001 - \$25,000	15% OF ORDER (NET OF DISCOUNT)
\$25,001 - \$50,000	10% OF ORDER (NET OF DISCOUNT)
\$50,001 - \$100,000	5% OF ORDER (NET OF DISCOUNT)
\$100,001 +	FREE FREIGHT

## ZONE-3

REQUEST QUOTE	CANADA, HAWAII, ALASKA, NEW YORK CITY, NY
---------------	---





# LAMINATE OPTIONS

---

<b>EDGE</b>	<b>COLOR</b>
CWH	WHITE
MW	MODERN WALNUT
GC	GREY CYPRESS
ST	STUDIO TEAK
CB	COCOBALA
FM	FUSION MAPLE
WC	WILD CHERRY
KB	KHAKI BROWN
DG	DOVE GREY

\*LAMINATES COME WITH MATCHING 3mm EDGE

**PAINT COMPATIBILITY CHART**

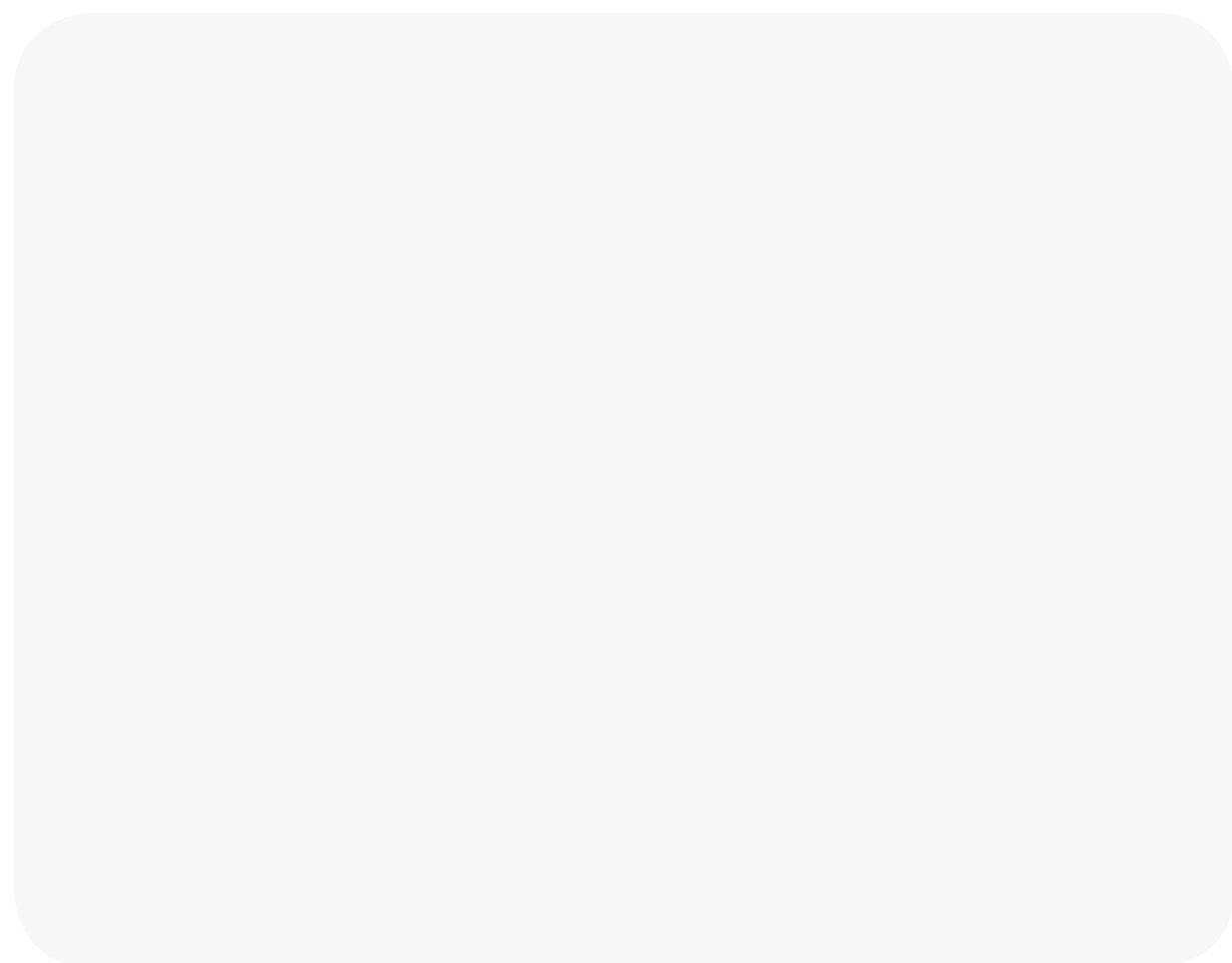
	WHITE	BLACK	METALLIC SILVER	SILVER (EZcube)	TEXTURED GRAPHITE	GRAPHITE	CHARCOAL	MOON	SAND	WARM GREY	MEDIUM TONE	CHARCOAL BLUE	AQUA	COBALT	PEACOCK	NAVY	MINT	SHAMROCK	KOMBU	CHARLESTON	VIBRANT RED	RUBY	TIGER	RUST	
CRL-POST-2	X	X	X		X						X														
CRL-POST-3	X	X	X		X						X														
CRL-POST-4	X	X	X		X						X														
CRL-POST-2-C	X	X	X		X						X														
CRL-POST-3-C	X	X	X		X						X														
CRL-POST-4-C	X	X	X		X						X														
CRL-TLEG-18-2	X	X	X		X						X														
CRL-TLEG-22-2	X	X	X		X						X														
CRL-TLEG-26-2	X	X	X		X						X														
CRL-TLEG-32-2	X	X	X		X						X														
CRL-TLEG-C-22-2	X	X	X		X						X														
CRL-TLEG-C-26-2	X	X	X		X						X														
CRL-TLEG-C-32-2	X	X	X		X						X														
CRL-CLEG-18-2	X	X	X		X						X														
CRL-CLEG-22-2	X	X	X		X						X														
CRL-CLEG-26-2	X	X	X		X						X														
CRL-CLEG-32-2	X	X	X		X						X														
CRL-CLEG-C-22-2	X	X	X		X						X														
CRL-CLEG-C-26-2	X	X	X		X						X														
CRL-CLEG-C-32-2	X	X	X		X						X														
CRL-DTLEG-32-42-2	X	X	X		X						X														
CRL-DTLEG-36-42-2	X	X	X		X						X														
CRL-DTLEG-42-42-2	X	X	X		X						X														
CRL-DTLEG-C-32-42-2	X	X	X		X						X														
CRL-DTLEG-C-36-42-2	X	X	X		X						X														
CRL-DTLEG-C-42-42-2	X	X	X		X						X														
CRL-XBASE-24-42	X	X	X		X						X														
CRL-XBASE-30-42	X	X	X		X						X														
CRL-XBASE-36-42	X	X	X		X						X														
RGD-XBASE-24	X	X	X	X	X	X	X	X	X	X	X	X	X	X	X	X	X	X	X	X	X	X	X	X	X
RGD-XBASE-30	X	X	X	X	X	X	X	X	X	X	X	X	X	X	X	X	X	X	X	X	X	X	X	X	X
RGD-TLEG-24-2	X	X	X	X	X	X	X	X	X	X	X	X	X	X	X	X	X	X	X	X	X	X	X	X	X
RGD-TLEG-30-2	X	X	X	X	X	X	X	X	X	X	X	X	X	X	X	X	X	X	X	X	X	X	X	X	X
RGD-CLEG-24-2	X	X	X	X	X	X	X	X	X	X	X	X	X	X	X	X	X	X	X	X	X	X	X	X	X
RGD-CLEG-30-2	X	X	X	X	X	X	X	X	X	X	X	X	X	X	X	X	X	X	X	X	X	X	X	X	X
RGD-FLIP-48-24	X	X	X	X	X	X	X	X	X	X	X	X	X	X	X	X	X	X	X	X	X	X	X	X	X
RGD-FLIP-60-24	X	X	X	X	X	X	X	X	X	X	X	X	X	X	X	X	X	X	X	X	X	X	X	X	X
RGD-FLIP-72-24	X	X	X	X	X	X	X	X	X	X	X	X	X	X	X	X	X	X	X	X	X	X	X	X	X
RGD-FLIP-48-30	X	X	X	X	X	X	X	X	X	X	X	X	X	X	X	X	X	X	X	X	X	X	X	X	X
RGD-FLIP-60-30	X	X	X	X	X	X	X	X	X	X	X	X	X	X	X	X	X	X	X	X	X	X	X	X	X
RGD-FLIP-72-30	X	X	X	X	X	X	X	X	X	X	X	X	X	X	X	X	X	X	X	X	X	X	X	X	X
SLT-LEG-29	X	X	X	X	X	X	X	X	X	X	X	X	X	X	X	X	X	X	X	X	X	X	X	X	X
SLT-LEG-36	X	X	X	X	X	X	X	X	X	X	X	X	X	X	X	X	X	X	X	X	X	X	X	X	X
SLT-LEG-42	X	X	X	X	X	X	X	X	X	X	X	X	X	X	X	X	X	X	X	X	X	X	X	X	X
SCT-LEG-30-2	X	X	X	X	X	X	X	X	X	X	X	X	X	X	X	X	X	X	X	X	X	X	X	X	X
ECSQ-RSSB-24	X		X			X	X		X																
ECSQ-RSSB-24-SHD	X		X			X	X		X																
ECSQ-RSSB-30	X		X			X	X		X																
ECSQ-RSSB-30-SHD	X		X			X	X		X																
ECSQ-RSHL-24	X		X			X	X		X																
ECSQ-RSHL-24-SHD	X		X			X	X		X																
ECSQ-RSHL-30	X		X			X	X		X																
ECSQ-RSHL-30-SHD	X		X			X	X		X																
EC-SQ-RH	X		X			X	X		X																
TT-PIVOT			X																						
EC-CLEVER-HAB			X																						
EC-CLEVER-3	X	X	X	X	X	X	X	X	X	X	X	X	X	X	X	X	X	X	X	X	X	X	X	X	X

**GRADE-A**

**GRADE-B**



**GRADE-A PAINT**



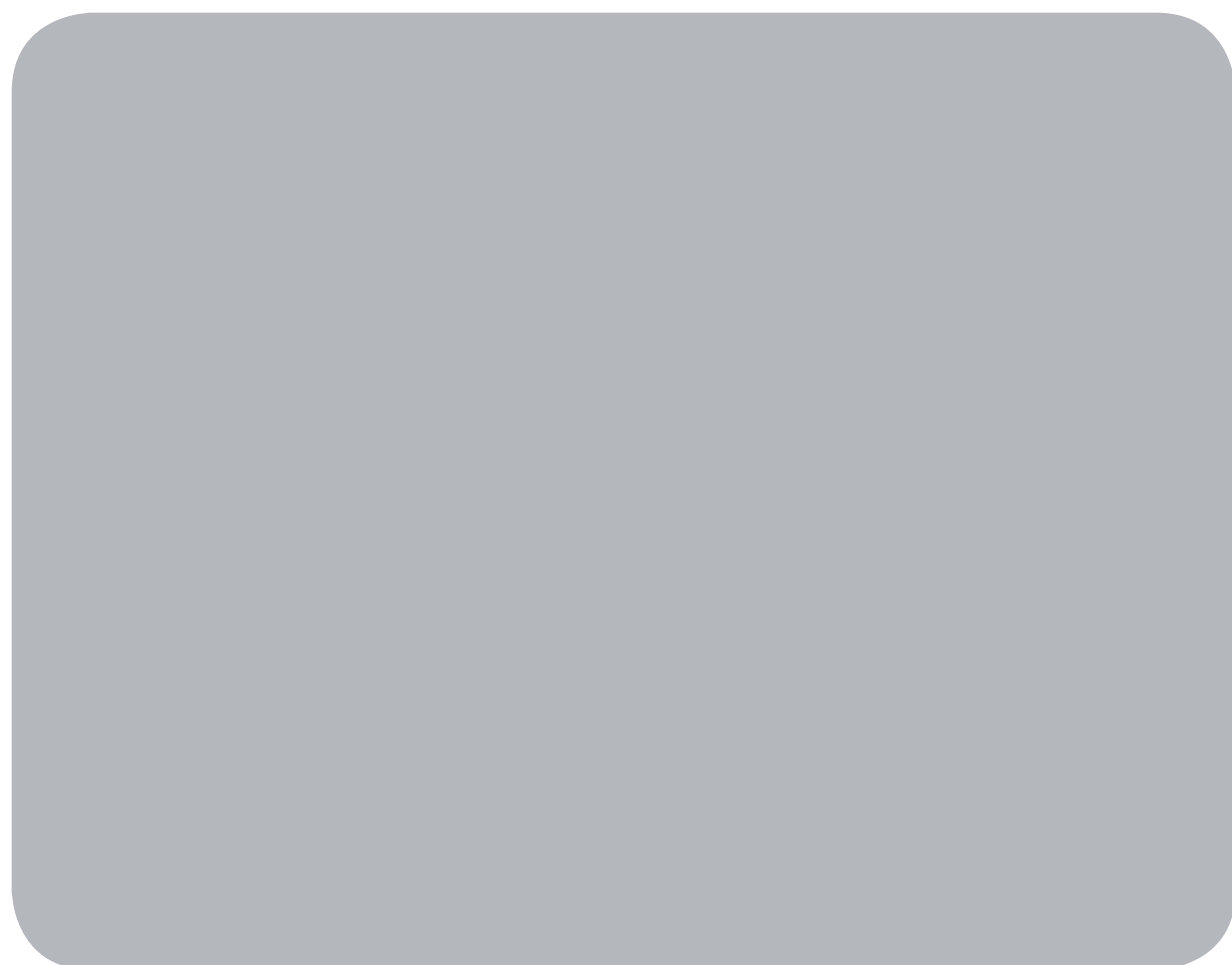
WHITE



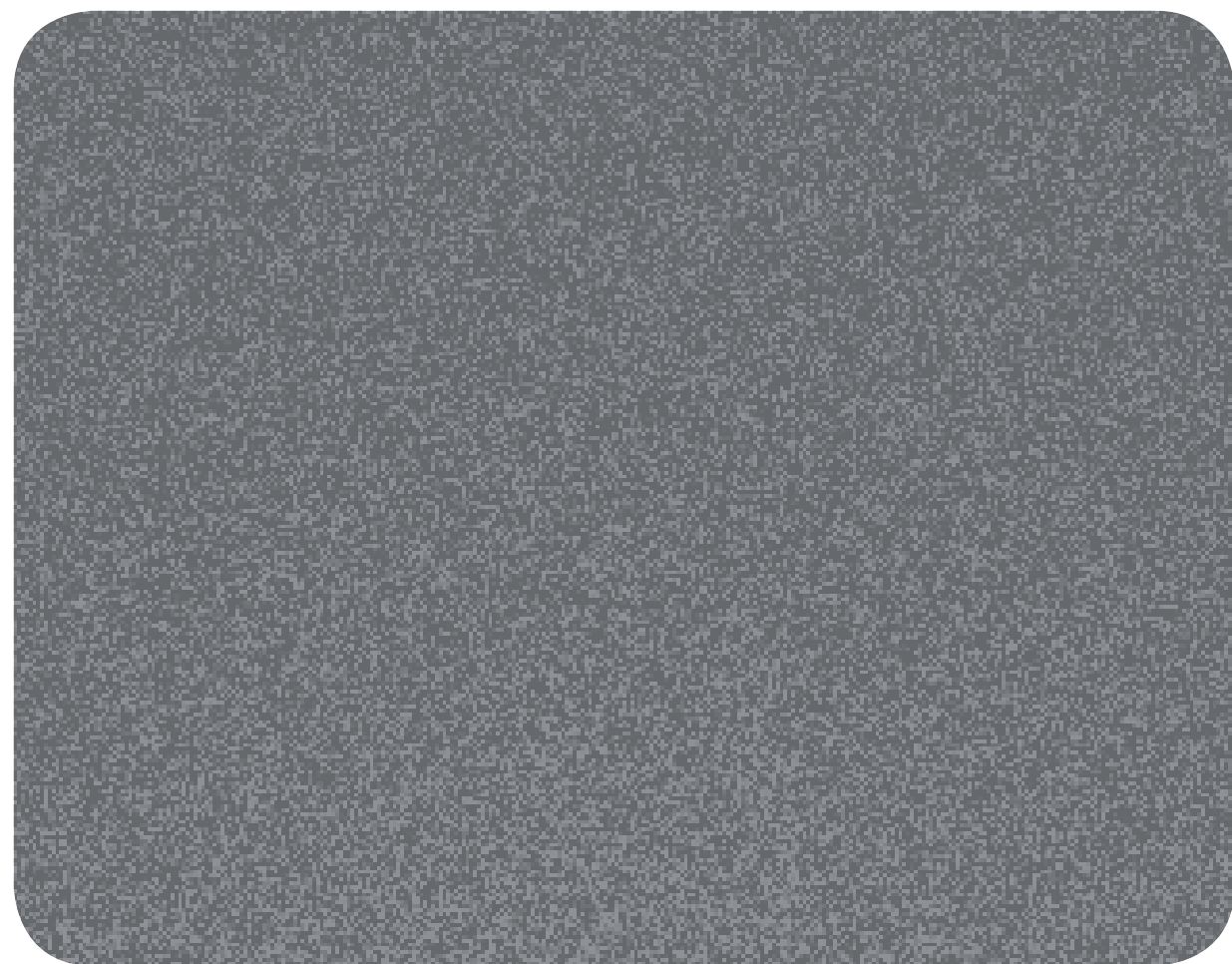
BLACK



METALLIC SILVER



SILVER (EZcube)



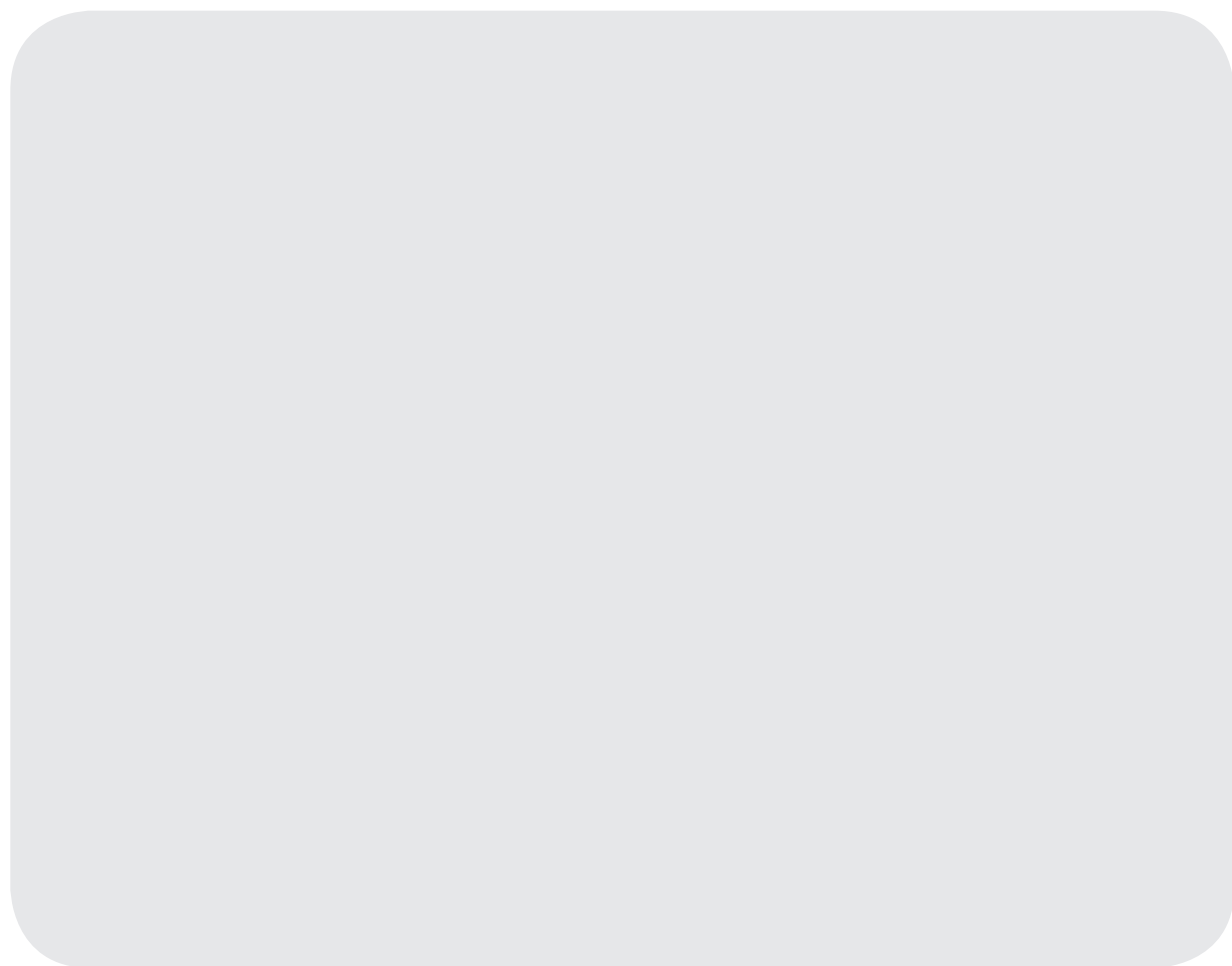
TEXTURED GRAPHITE



GRAPHITE



CHARCOAL



MOON



SAND



WARM GREY



MEDIUM TONE



CHARCOAL BLUE

**GRADE-B PAINT**



AQUA



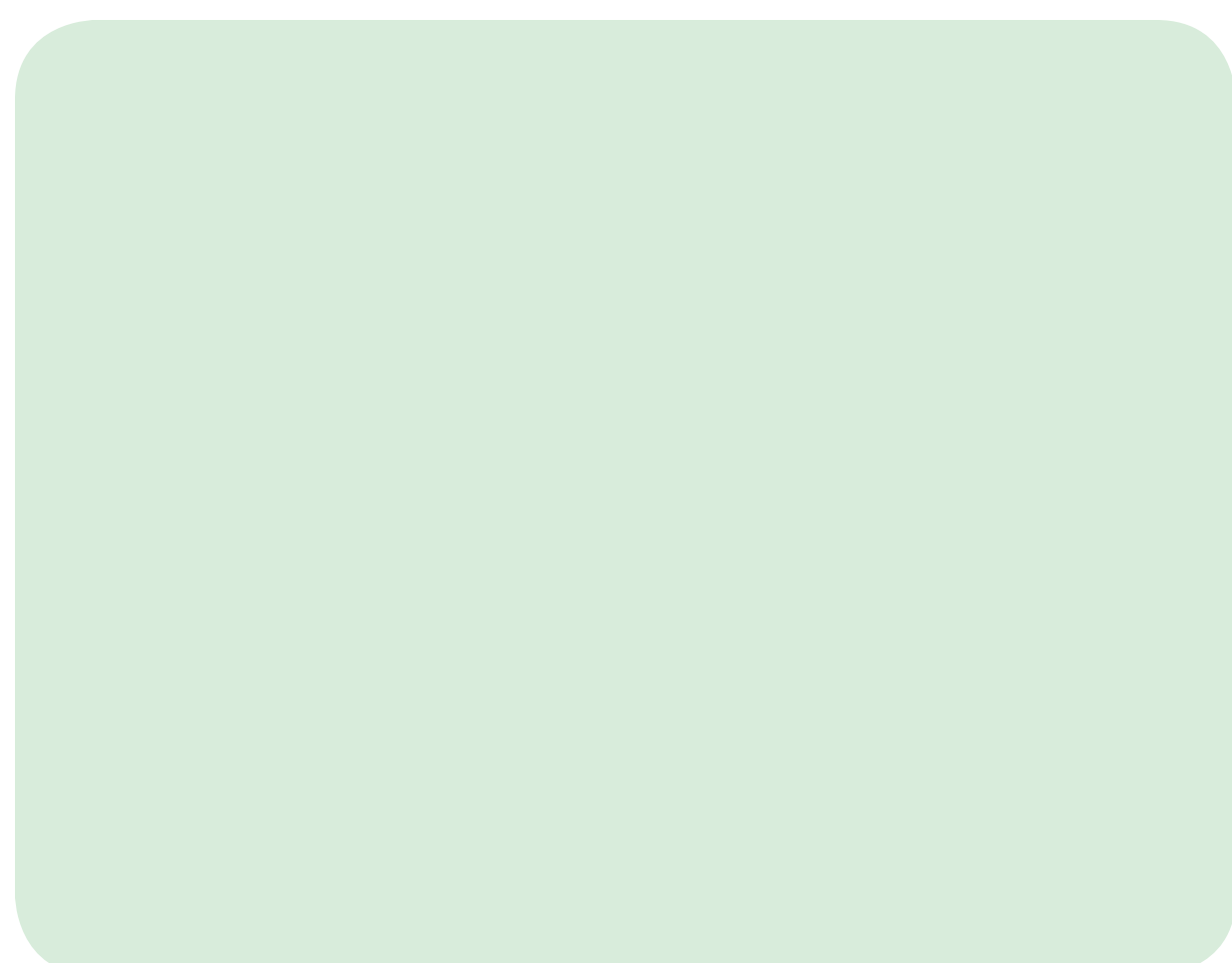
COBALT



PEACOCK



NAVY



MINT



SHAMROCK



KOMBU



CHARLESTON



VIBRANT RED



RUBY



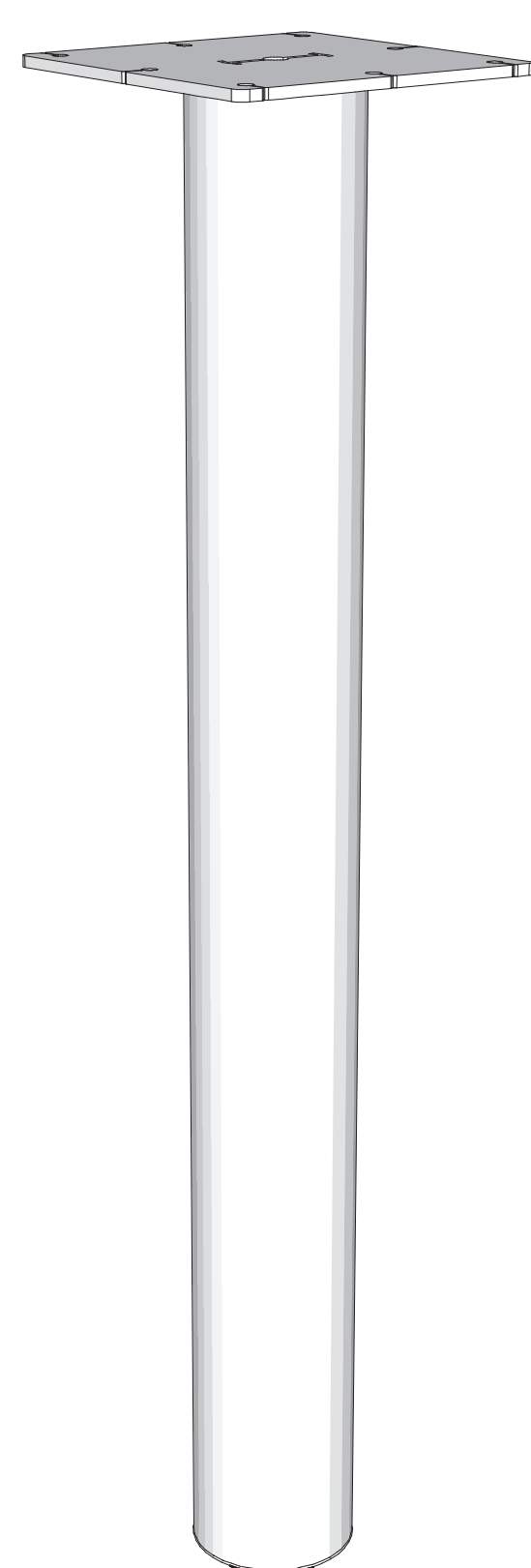
TIGER



RUST



# CRUCIAL: POST LEG



**FEATURES:**

- FULLY WELDED CONSTRUCTION
- SUPPORTS UP TO 125LBS PER LEG
- 6" x 6" MOUNTING PLATE
- ADJUSTABLE GLIDES

**TO ORDER, SPECIFY:**

- PART NUMBER / SIZE
- PAINT COLOR

\*TOP SPECIFIED SEPARATELY

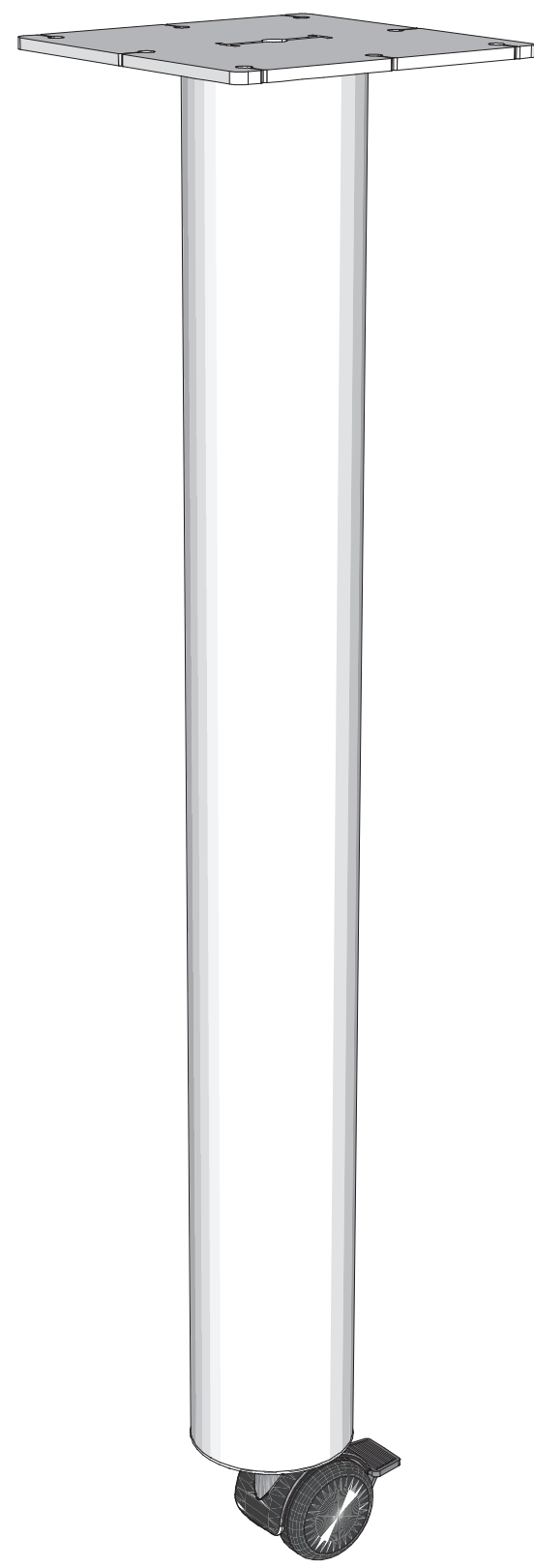
HEIGHT	DIAMETER	PART NUMBER	LIST PRICE
27.75"	2"	CRL-POST-2	\$205
27.75"	3"	CRL-POST-3	\$249
27.75"	4"	CRL-POST-4	\$268

- SEE CHART ON PAGE-6 FOR AVAILABLE PAINT COLORS





# CRUCIAL: POST LEG W/ CASTER



**FEATURES:**

- FULLY WELDED CONSTRUCTION
- SUPPORTS UP TO 125LBS PER LEG
- 6" x 6" MOUNTING PLATE
- 2" LOCKING CASTER

**TO ORDER, SPECIFY:**

- PART NUMBER / SIZE
- PAINT COLOR

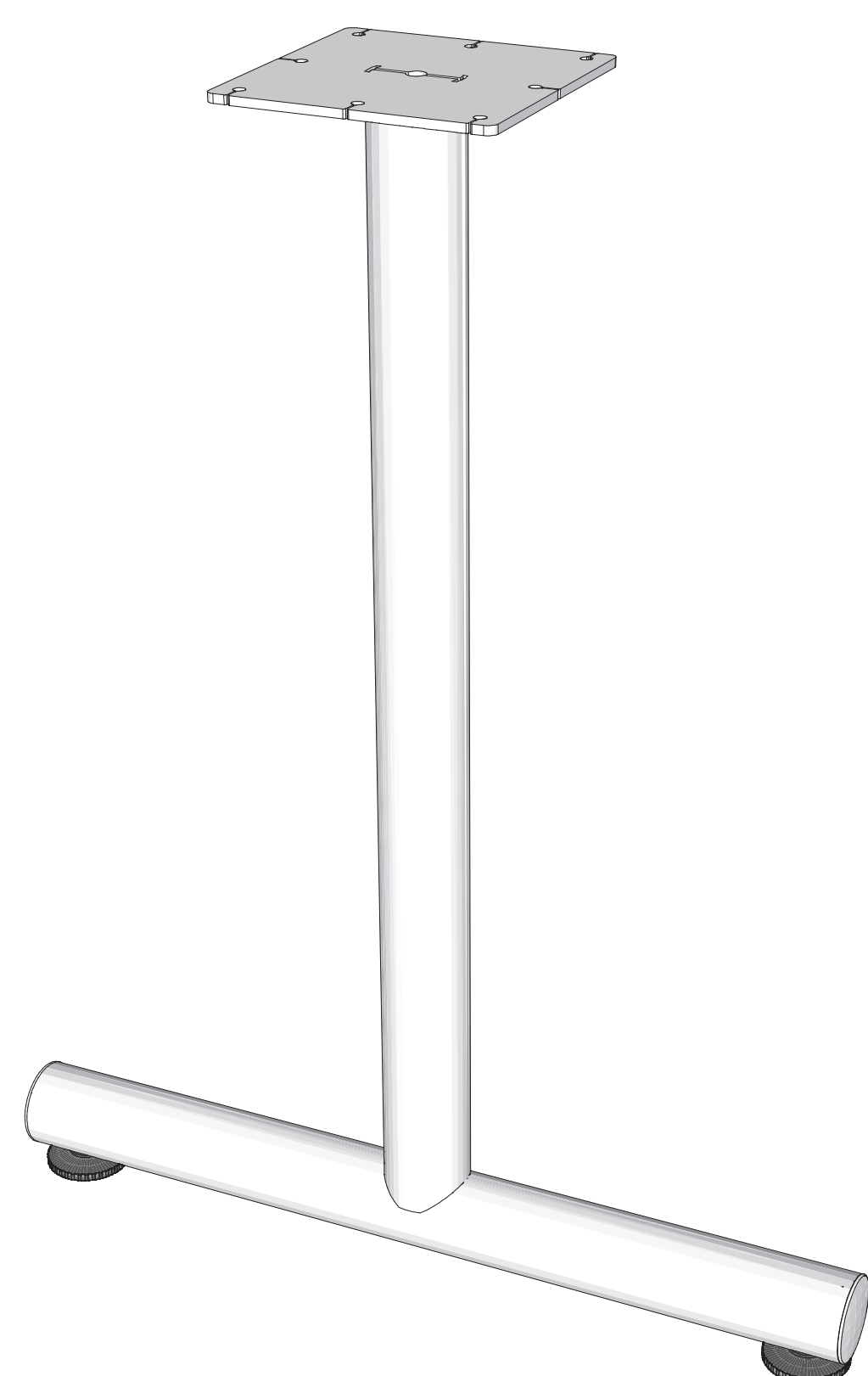
\*TOP SPECIFIED SEPARATELY

HEIGHT	DIAMETER	PART NUMBER	LIST PRICE
27.75"	2"	CRL-POST-2-C	\$248
27.75"	3"	CRL-POST-3-C	\$293
27.75"	4"	CRL-POST-4-C	\$312

- SEE CHART ON PAGE-6 FOR AVAILABLE PAINT COLORS



# CRUCIAL: T-LEG



**FEATURES:**

- FULLY WELDED CONSTRUCTION
- SUPPORTS UP TO 125LBS PER LEG
- 6" x 6" MOUNTING PLATE
- ADJUSTABLE GLIDES

**TO ORDER, SPECIFY:**

- PART NUMBER / SIZE
- PAINT COLOR

\*TOP SPECIFIED SEPARATELY

HEIGHT	WIDTH	MAX TABLE DEPTH	PART NUMBER	LIST PRICE
27.75"	18"	20"	CRL-TLEG-18-2	\$407 / PAIR
27.75"	22"	24"	CRL-TLEG-22-2	\$448 / PAIR
27.75"	26"	30"	CRL-TLEG-26-2	\$498 / PAIR
27.75"	32"	36"	CRL-TLEG-32-2	\$511 / PAIR

- SEE CHART ON PAGE-6 FOR AVAILABLE PAINT COLORS

**NOTES:**

- LEGS ARE PRICED AS A PAIR





# CRUCIAL: T-LEG W/ CASTER



**FEATURES:**

- FULLY WELDED CONSTRUCTION
- SUPPORTS UP TO 125LBS PER LEG
- 6" x 6" MOUNTING PLATE
- 2" LOCKING CASTER

**TO ORDER, SPECIFY:**

- PART NUMBER / SIZE
- PAINT COLOR

\*TOP SPECIFIED SEPARATELY

HEIGHT	WIDTH	MAX TABLE DEPTH	PART NUMBER	LIST PRICE
27.75"	22"	24"	CRL-TLEG-C-22-2	\$481 / PAIR
27.75"	26"	30"	CRL-TLEG-C-26-2	\$531 / PAIR
27.75"	32"	36"	CRL-TLEG-C-32-2	\$596 / PAIR

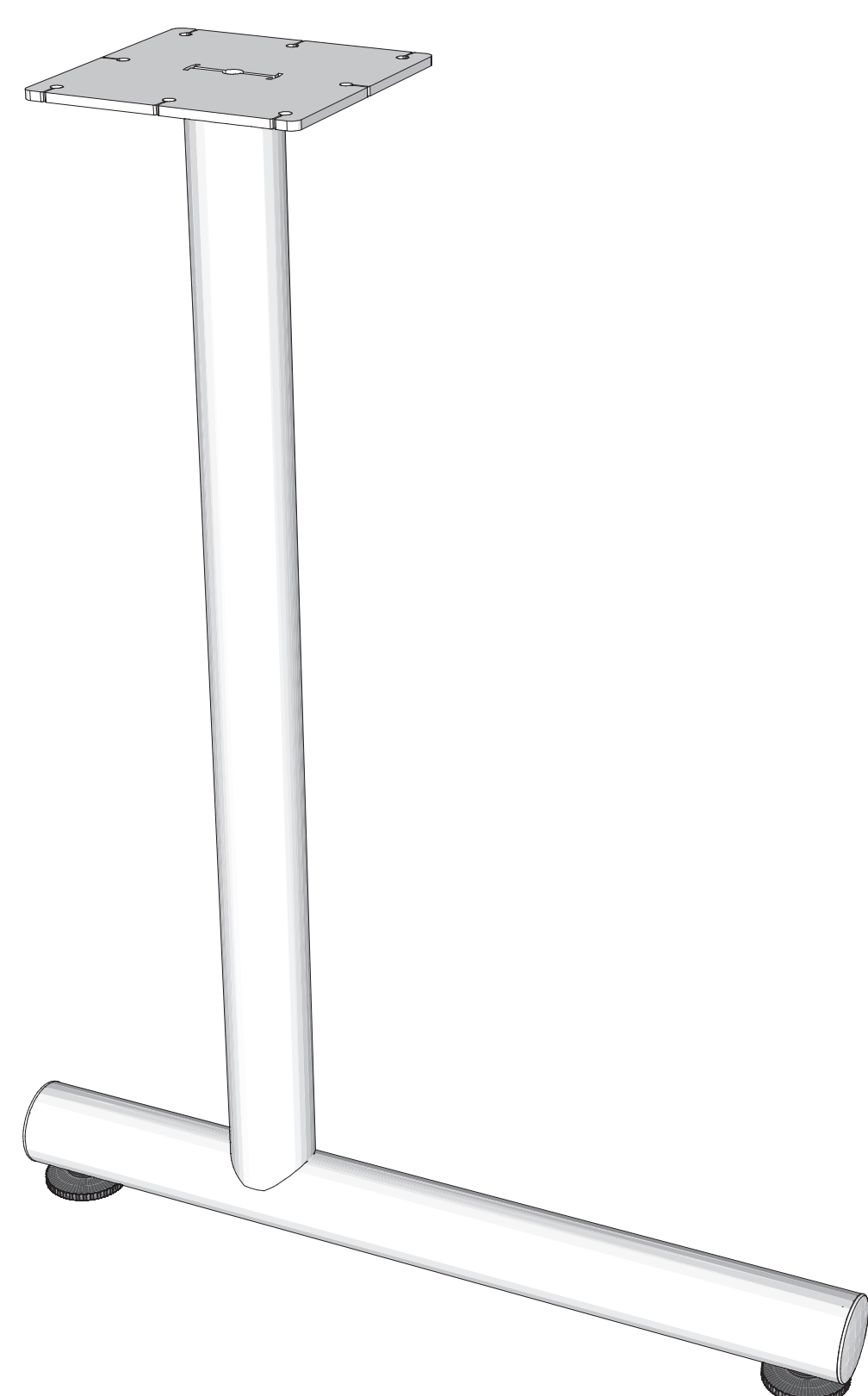
- SEE CHART ON PAGE-6 FOR AVAILABLE PAINT COLORS

**NOTES:**

- LEGS ARE PRICED AS A PAIR



# CRUCIAL: C-LEG



**FEATURES:**

- FULLY WELDED CONSTRUCTION
- SUPPORTS UP TO 125LBS PER LEG
- 6" x 6" MOUNTING PLATE
- ADJUSTABLE GLIDES

**TO ORDER, SPECIFY:**

- PART NUMBER / SIZE
- PAINT COLOR

\*TOP SPECIFIED SEPARATELY

HEIGHT	WIDTH	MAX TABLE DEPTH	PART NUMBER	LIST PRICE
27.75"	18"	20"	CRL-CLEG-18-2	\$407 / PAIR
27.75"	22"	24"	CRL-CLEG-22-2	\$448 / PAIR
27.75"	26"	30"	CRL-CLEG-26-2	\$498 / PAIR
27.75"	32"	36"	CRL-CLEG-32-2	\$511 / PAIR

- SEE CHART ON PAGE-6 FOR AVAILABLE PAINT COLORS

**NOTES:**

- LEGS ARE PRICED AS A PAIR



# CRUCIAL: C-LEG W/ CASTER



**FEATURES:**

- FULLY WELDED CONSTRUCTION
- SUPPORTS UP TO 125LBS PER LEG
- 6" x 6" MOUNTING PLATE
- 2" LOCKING CASTER

**TO ORDER, SPECIFY:**

- PART NUMBER / SIZE
- PAINT COLOR

\*TOP SPECIFIED SEPARATELY

HEIGHT	WIDTH	MAX TABLE DEPTH	PART NUMBER	LIST PRICE
27.75"	22"	24"	CRL-CLEG-C-22-2	\$481 / PAIR
27.75"	26"	30"	CRL-CLEG-C-26-2	\$531 / PAIR
27.75"	32"	36"	CRL-CLEG-C-32-2	\$596 / PAIR

- SEE CHART ON PAGE-6 FOR AVAILABLE PAINT COLORS

**NOTES:**

- LEGS ARE PRICED AS A PAIR





# CRUCIAL: DOUBLE T-LEG



**FEATURES:**

- FULLY WELDED CONSTRUCTION
- SUPPORTS UP TO 125LBS PER LEG
- 6" x 6" MOUNTING PLATE
- ADJUSTABLE GLIDES

**TO ORDER, SPECIFY:**

- PART NUMBER / SIZE
- PAINT COLOR

\*TOP SPECIFIED SEPARATELY

HEIGHT	WIDTH	MAX TABLE DEPTH	PART NUMBER	LIST PRICE
27.75"	32"	34"	CRL-DTLEG-32-42-2	\$809 / PAIR
27.75"	36"	40"	CRL-DTLEG-36-42-2	\$838 / PAIR
27.75"	42"	48"	CRL-DTLEG-42-42-2	\$897 / PAIR

- SEE CHART ON PAGE-6 FOR AVAILABLE PAINT COLORS

**NOTES:**

- LEGS ARE PRICED AS A PAIR



# CRUCIAL: DOUBLE T-LEG W/ CASTER



\*TOP SPECIFIED SEPARATELY

**FEATURES:**

- FULLY WELDED CONSTRUCTION
- SUPPORTS UP TO 125LBS PER LEG
- 6" x 6" MOUNTING PLATE
- 2" LOCKING CASTER

**TO ORDER, SPECIFY:**

- PART NUMBER / SIZE
- PAINT COLOR

HEIGHT	WIDTH	MAX TABLE DEPTH	PART NUMBER	LIST PRICE
27.75"	32"	34"	CRL-DTLEG-C-32-42-2	\$865 / PAIR
27.75"	36"	40"	CRL-DTLEG-C-36-42-2	\$888 / PAIR
27.75"	42"	48"	CRL-DTLEG-C-42-42-2	\$950/ PAIR

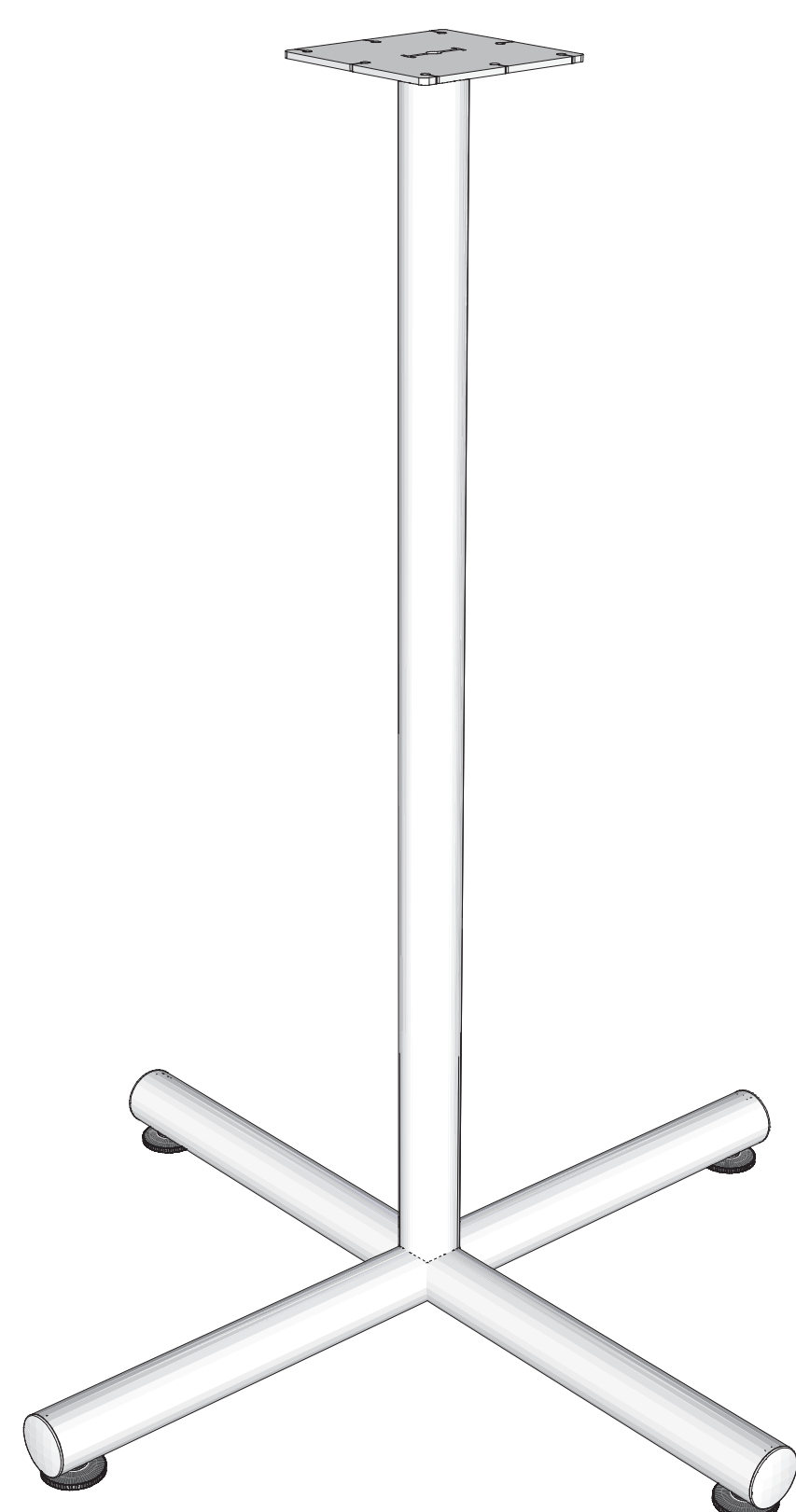
- SEE CHART ON PAGE-6 FOR AVAILABLE PAINT COLORS

**NOTES:**

- LEGS ARE PRICED AS A PAIR



# CRUCIAL: X-BASE



**FEATURES:**

- BAR HEIGHT
- SUPPORTS UP TO 125LBS
- 11" x 11" MOUNTING PLATE
- ADJUSTABLE GLIDES

**TO ORDER, SPECIFY:**

- PART NUMBER / SIZE
- PAINT COLOR

\*TOP SPECIFIED SEPARATELY

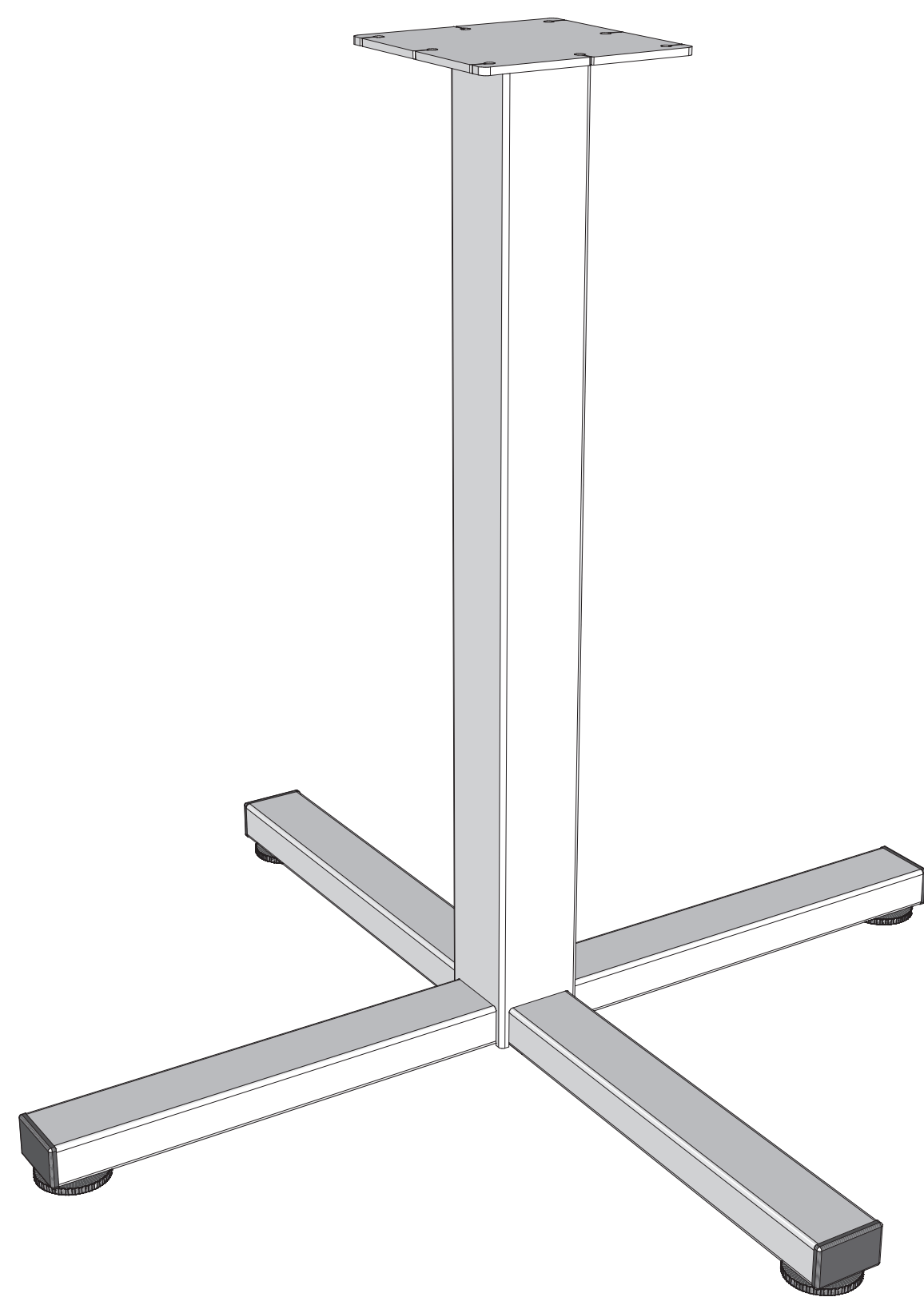
HEIGHT	WIDTH	MAX TABLE WIDTH	PART NUMBER	LIST PRICE
42"	24"	24" ROUND / SQUARE	CRL-XBASE-24-42	\$717
42"	30"	30" ROUND / SQUARE	CRL-XBASE-30-42	\$735
42"	36"	36" ROUND / SQUARE	CRL-XBASE-36-42	\$754

• SEE CHART ON PAGE-6 FOR AVAILABLE PAINT COLORS





# RIGID: X-BASE



**FEATURES:**

- 24 DIFFERENT PAINT COLOR OPTIONS
- 6" x 6" MOUNTING PLATE
- ADJUSTABLE GLIDES

**TO ORDER, SPECIFY:**

- PART NUMBER / SIZE
- PAINT COLOR

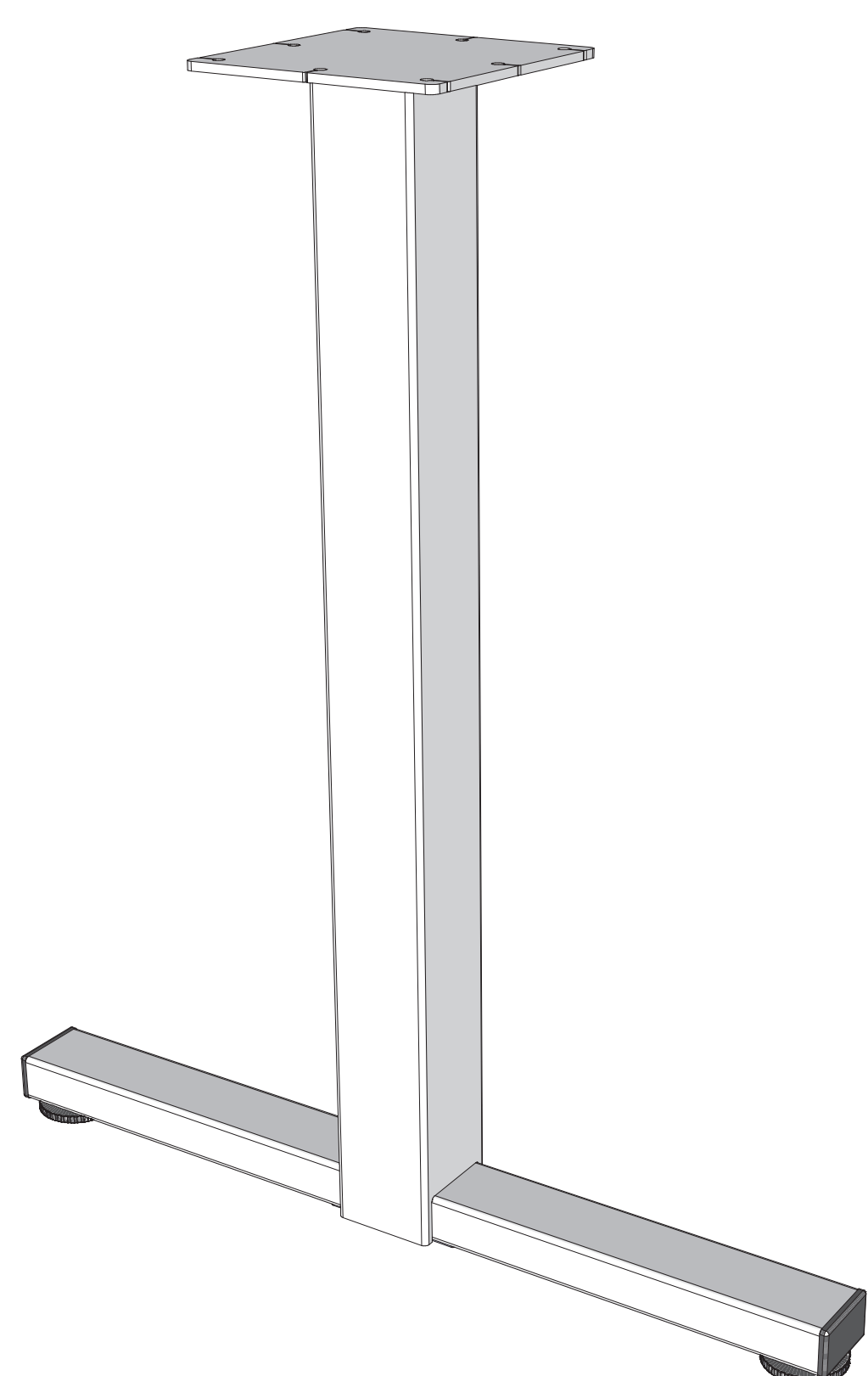
\*TOP SPECIFIED SEPARATELY

HEIGHT	WIDTH	MAX TABLE WIDTH	PART NUMBER	LIST PRICE
27.3"	23"	24" ROUND / SQUARE	RGD-XBASE-24	\$476
27.3"	29"	30" ROUND / SQUARE <b>(SHOWN ABOVE)</b>	RGD-XBASE-30	\$504

- SEE CHART ON PAGE-6 FOR AVAILABLE PAINT COLORS



# RIGID: T-LEG



**FEATURES:**

- 24 DIFFERENT PAINT COLOR OPTIONS
- 6" x 6" MOUNTING PLATE
- ADJUSTABLE GLIDES

**TO ORDER, SPECIFY:**

- PART NUMBER / SIZE
- PAINT COLOR

\*TOP SPECIFIED SEPARATELY

HEIGHT	WIDTH	MAX TABLE DEPTH	PART NUMBER	LIST PRICE
27.3"	23"	24" (SHOWN ABOVE)	RGD-TLEG-24-2	\$599 / PAIR
27.3"	29"	30"	RGD-TLEG-30-2	\$628 / PAIR

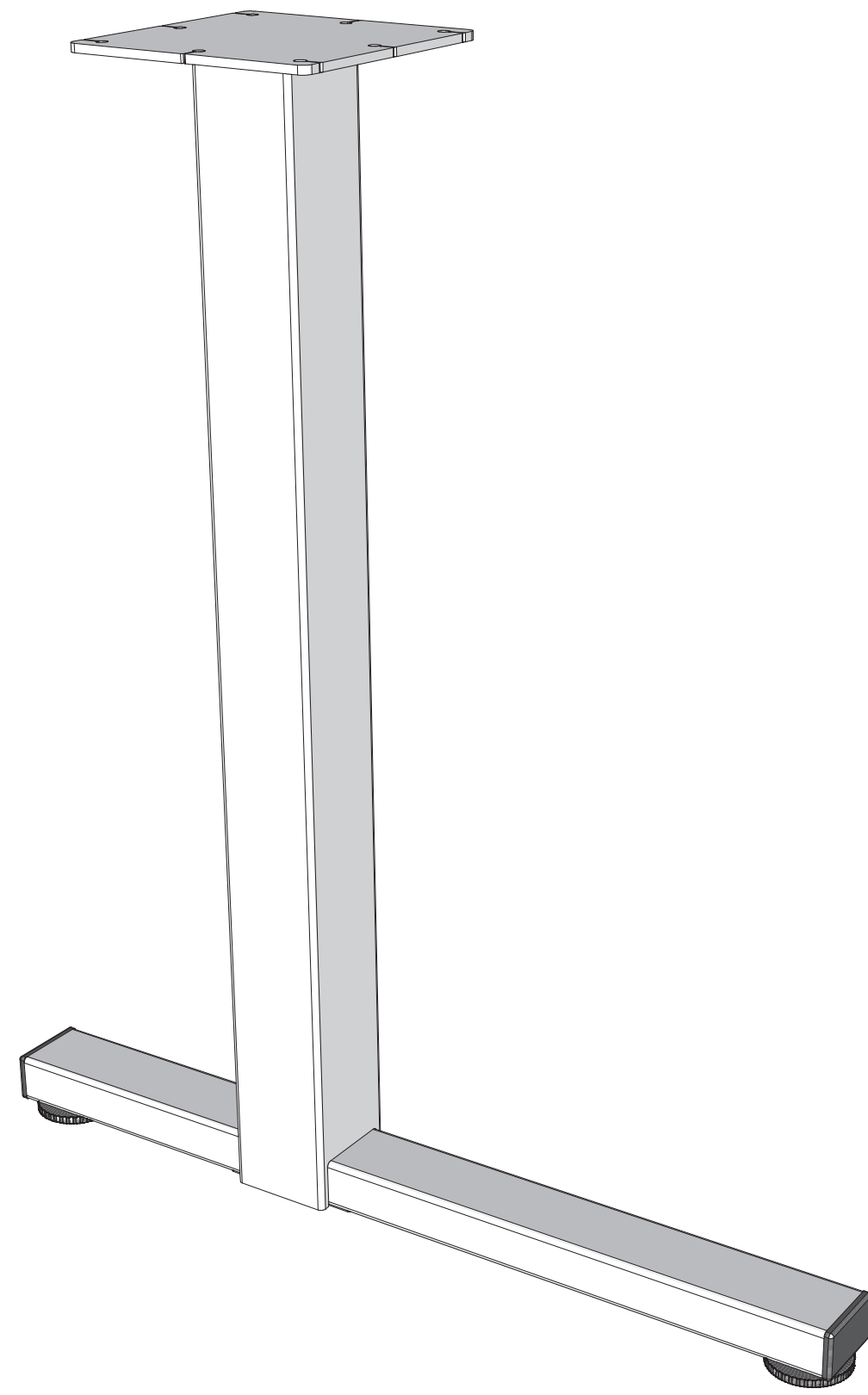
- SEE CHART ON PAGE-6 FOR AVAILABLE PAINT COLORS

**NOTES:**

- LEGS ARE PRICED AS A PAIR



# RIGID: C-LEG



**FEATURES:**

- 24 DIFFERENT PAINT COLOR OPTIONS
- 6" x 6" MOUNTING PLATE
- ADJUSTABLE GLIDES

**TO ORDER, SPECIFY:**

- PART NUMBER / SIZE
- PAINT COLOR

\*TOP SPECIFIED SEPARATELY

HEIGHT	WIDTH	MAX TABLE DEPTH	PART NUMBER	LIST PRICE
27.3"	29"	24" (SHOWN ABOVE)	RGD-CLEG-24-2	\$599 / PAIR
27.3"	29"	30"	RGD-CLEG-30-2	\$628 / PAIR

- SEE CHART ON PAGE-6 FOR AVAILABLE PAINT COLORS

**NOTES:**

- LEGS ARE PRICED AS A PAIR





# RIGID: 24" DEEP FLIP-TOP BASE



**FEATURES:**

- 24 DIFFERENT PAINT COLOR OPTIONS

**TO ORDER, SPECIFY:**

- PART NUMBER / SIZE
- PAINT COLOR

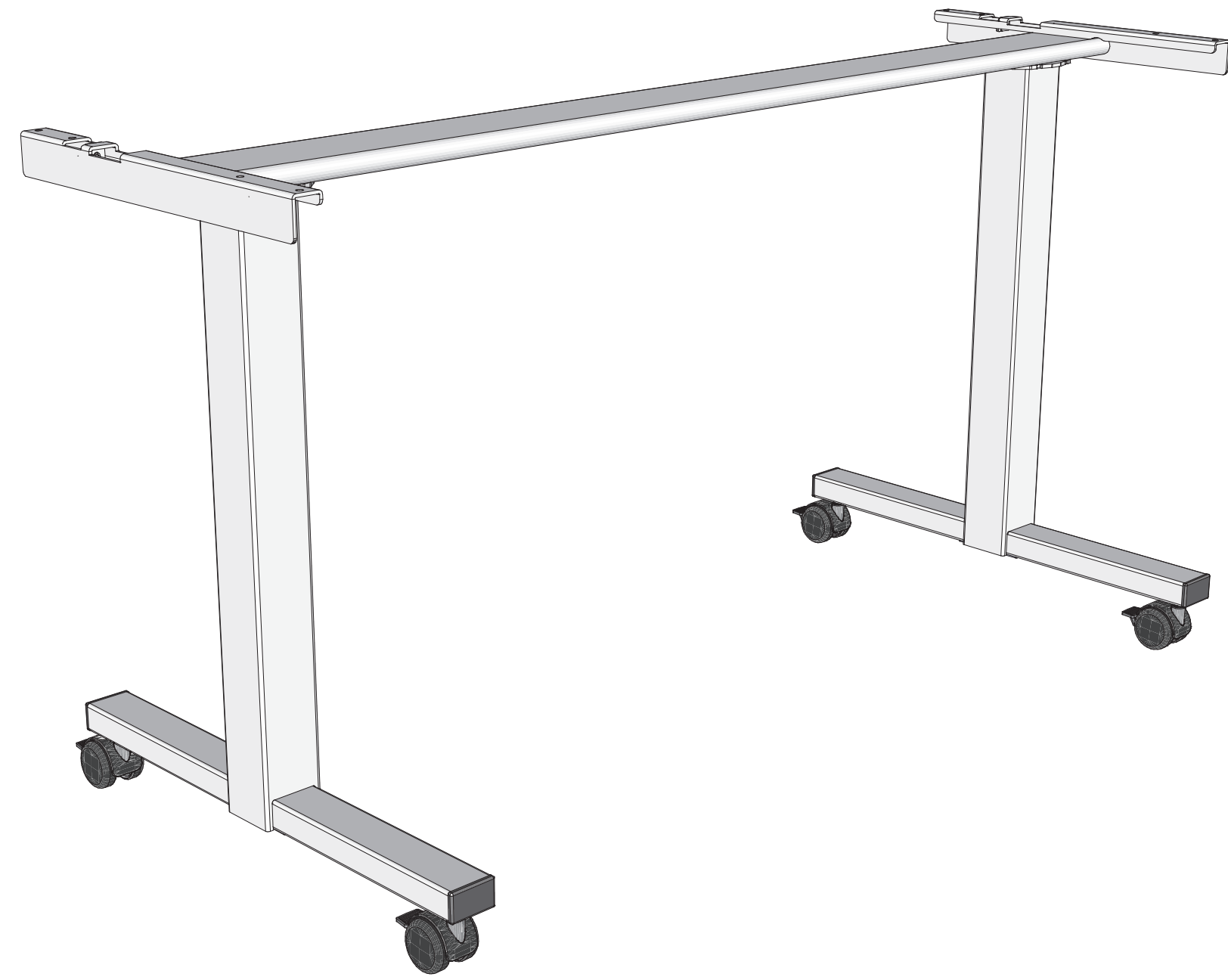
\*TOP SPECIFIED SEPARATELY

HEIGHT	SURFACE WIDTH	SURFACE DEPTH	PART NUMBER	LIST PRICE
27.3"	48"	24"	RGD-FLIP-48-24	\$1204
27.3"	60"	24" (SHOWN ABOVE)	RGD-FLIP-60-24	\$1405
27.3"	72"	24"	RGD-FLIP-72-24	\$1475

- SEE CHART ON PAGE-6 FOR AVAILABLE PAINT COLORS



# RIGID: 30" DEEP FLIP-TOP BASE



**FEATURES:**

- 24 DIFFERENT PAINT COLOR OPTIONS

**TO ORDER, SPECIFY:**

- PART NUMBER / SIZE
- PAINT COLOR

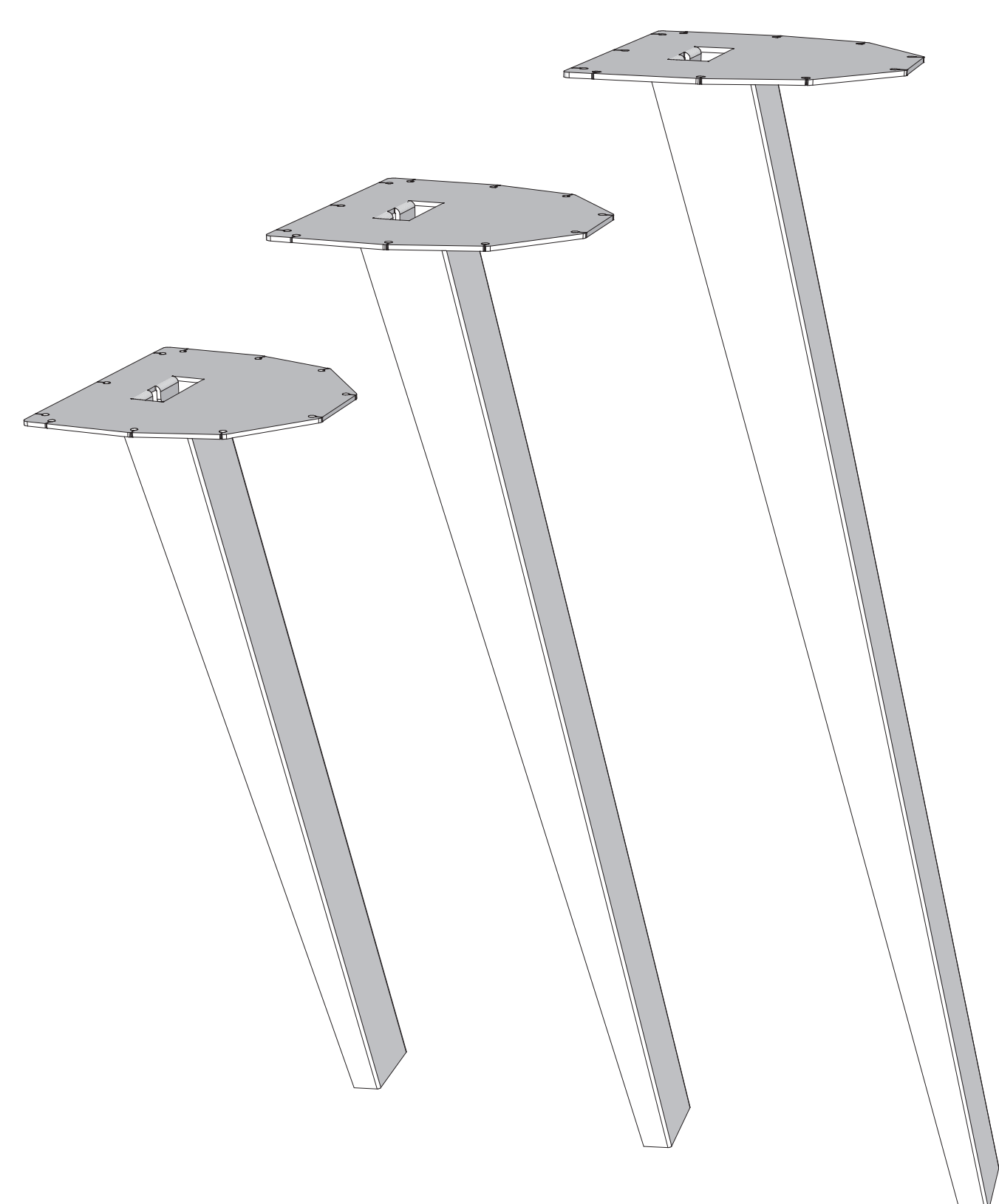
\*TOP SPECIFIED SEPARATELY

HEIGHT	SURFACE WIDTH	SURFACE DEPTH	PART NUMBER	LIST PRICE
27.3"	48"	30"	RGD-FLIP-48-30	\$1227
27.3"	60"	30" (SHOWN ABOVE)	RGD-FLIP-60-30	\$1428
27.3"	72"	30"	RGD-FLIP-72-30	\$1498

- SEE CHART ON PAGE-6 FOR AVAILABLE PAINT COLORS



# SLANT: ANGLED POST LEG



**FEATURES:**

- 24 DIFFERENT PAINT COLOR OPTIONS
- 11" x 10" MOUNTING PLATE
- HIDDEN WIRE MANAGEMENT
- WORKS WITH A VARIETY OF TOPS
- ADJUSTABLE GLIDES

**TO ORDER, SPECIFY:**

- PART NUMBER / SIZE
- PAINT COLOR

\*TOP SPECIFIED SEPARATELY

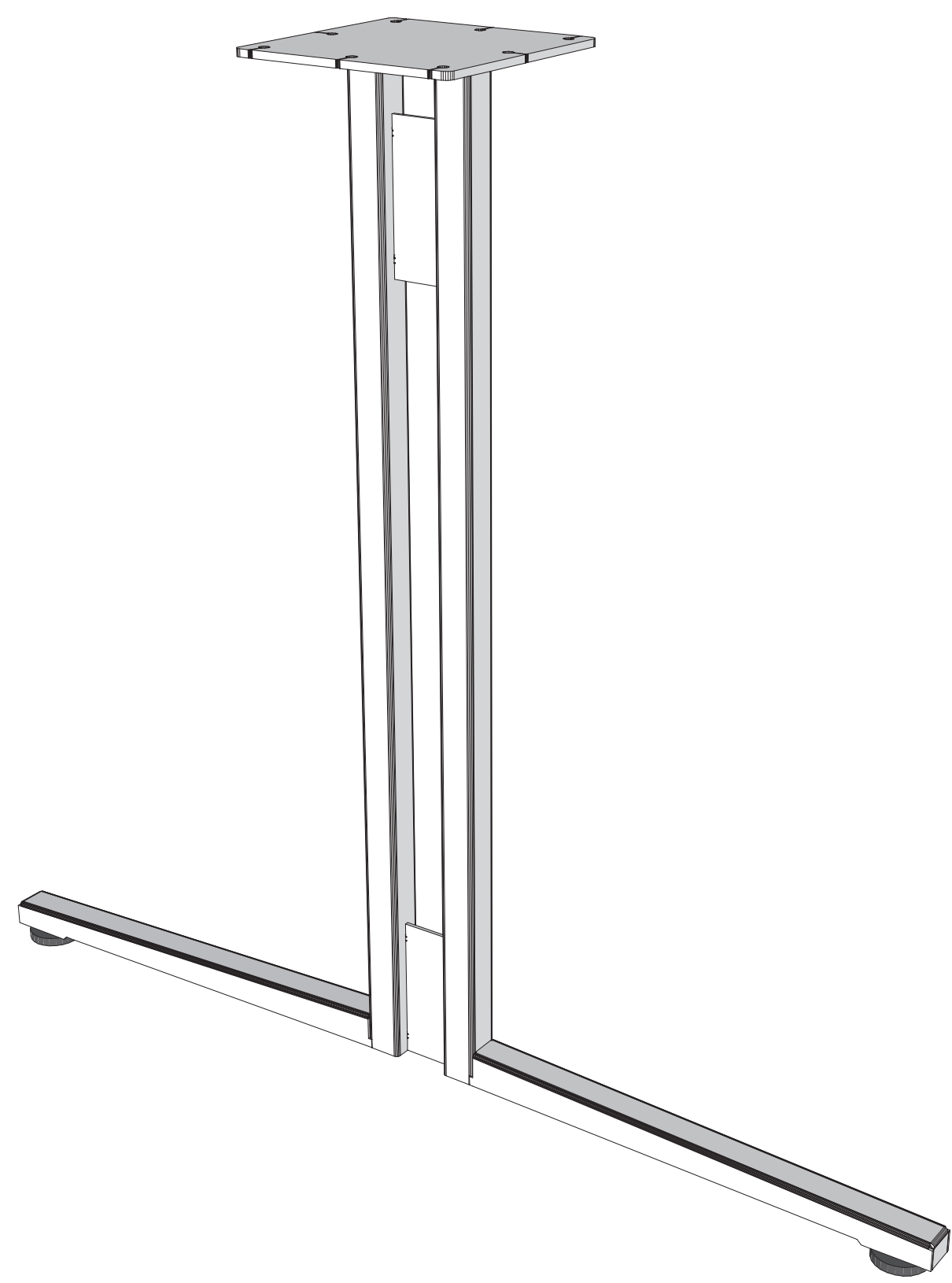
HEIGHT	PART NUMBER	LIST PRICE
29"	SLT-LEG-29	\$364
36"	SLT-LEG-36	\$394
42"	SLT-LEG-42	\$435

• SEE CHART ON PAGE-6 FOR AVAILABLE PAINT COLORS





# SCULPT: T-LEG BASE



\*TOP SPECIFIED SEPARATELY

**FEATURES:**

- 24 DIFFERENT PAINT COLOR OPTIONS
- 6" x 6" MOUNTING PLATE
- ADJUSTABLE GLIDES

**TO ORDER, SPECIFY:**

- PART NUMBER / SIZE
- PAINT COLOR

HEIGHT	LEG WIDTH	MAX TABLE DEPTH	PART NUMBER	LIST PRICE
27.3"	30"	30"	SCT-LEG-30-2	\$1016 / PAIR

- SEE CHART ON PAGE-6 FOR AVAILABLE PAINT COLORS

**NOTES:**

- LEGS ARE PRICED AS A PAIR



# OPEN SQUARE LEG

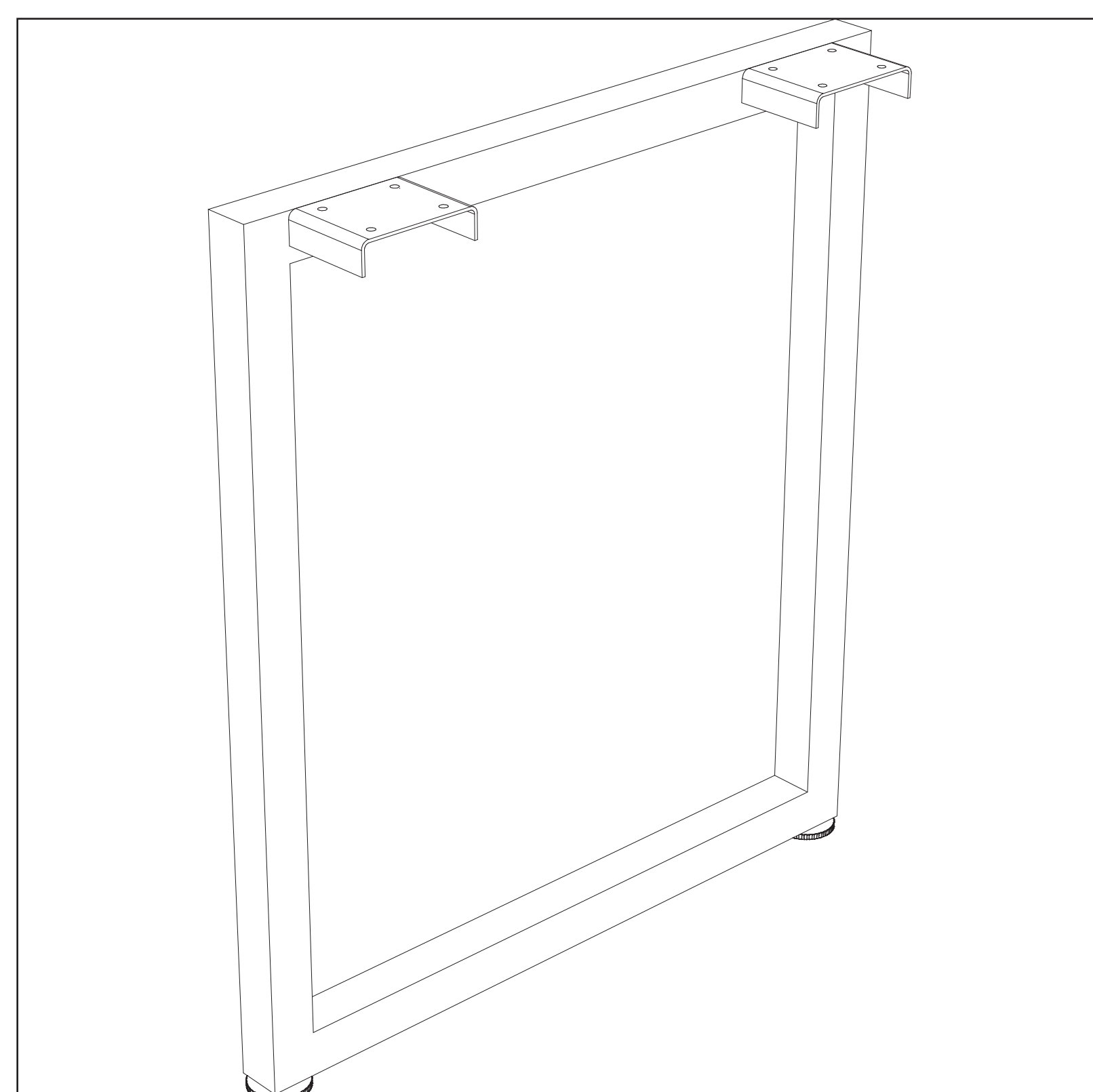


FIGURE: 1

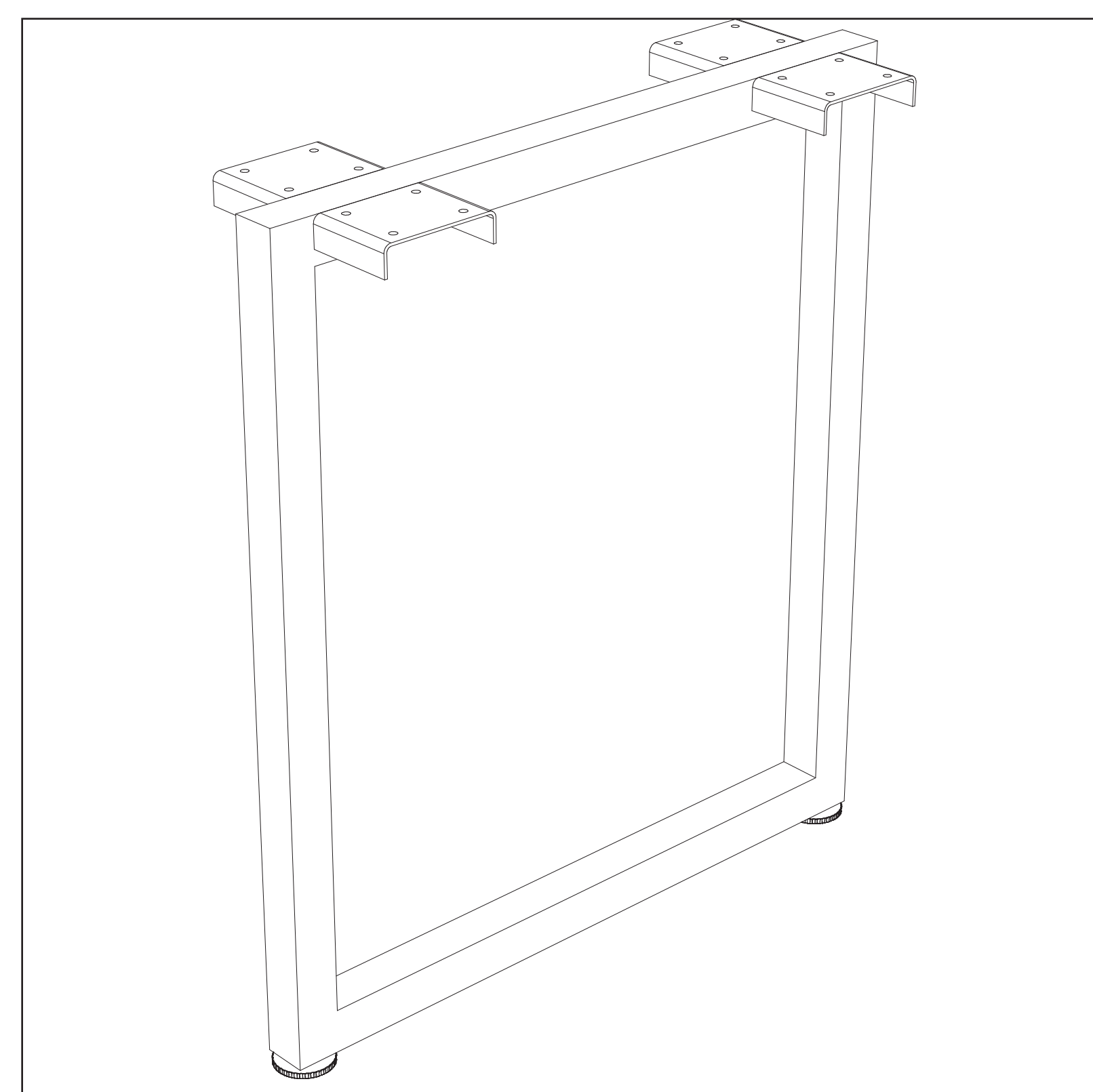


FIGURE: 2

**TO ORDER, SPECIFY:**

- PART NUMBER/SIZE
- PAINT COLOR

**FEATURES:**

- ADJUSTABLE GLIDES

WIDTH	SUPPORT	PART NUMBER	LIST PRICE
23.0625"	SIDE <b>(SEE FIGURE:1)</b>	EC-RSSB-24	\$594
29.0625"	SIDE	EC-RSSB-30	\$667
23.0625"	SHARED <b>(SEE FIGURE:2)</b>	EC-RSSB-24-SHD	\$646
29.0625"	SHARED	EC-RSSB-30-SHD	\$720

• SEE CHART ON PAGE-6 FOR AVAILABLE PAINT COLORS



# H-LEG

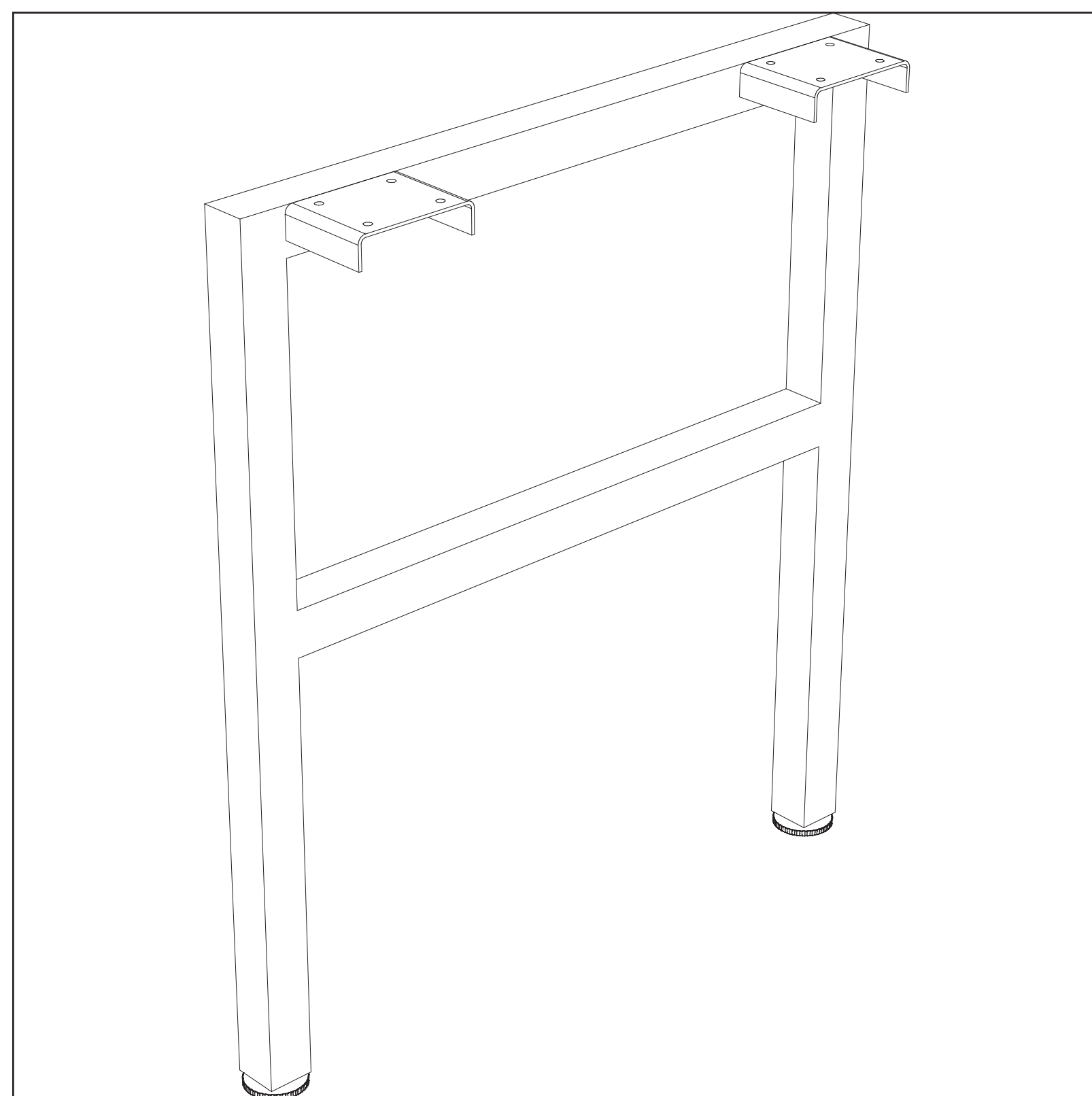


FIGURE: 1

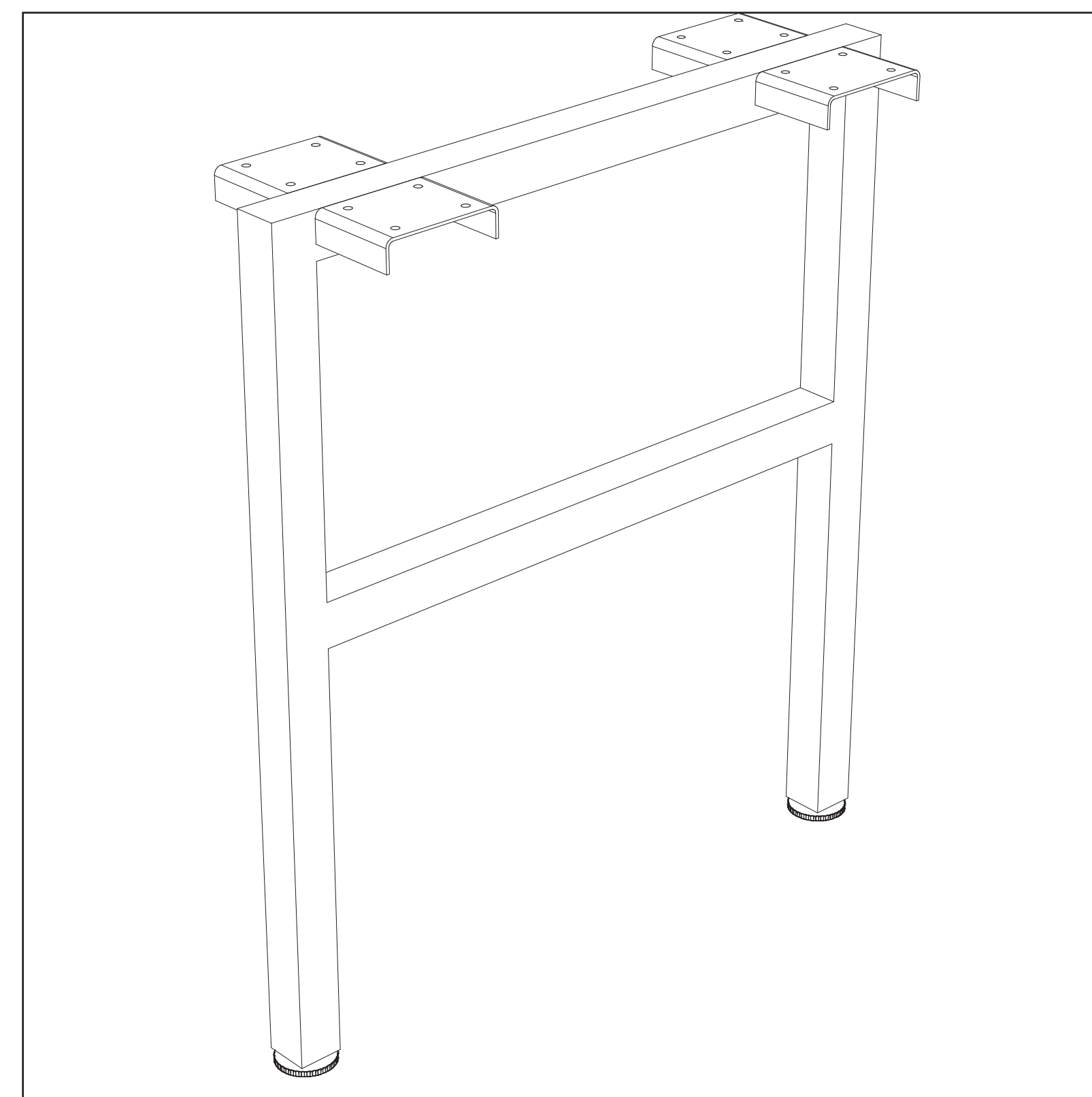


FIGURE: 2

**TO ORDER, SPECIFY:**

- PART NUMBER
- PAINT COLOR

**FEATURES:**

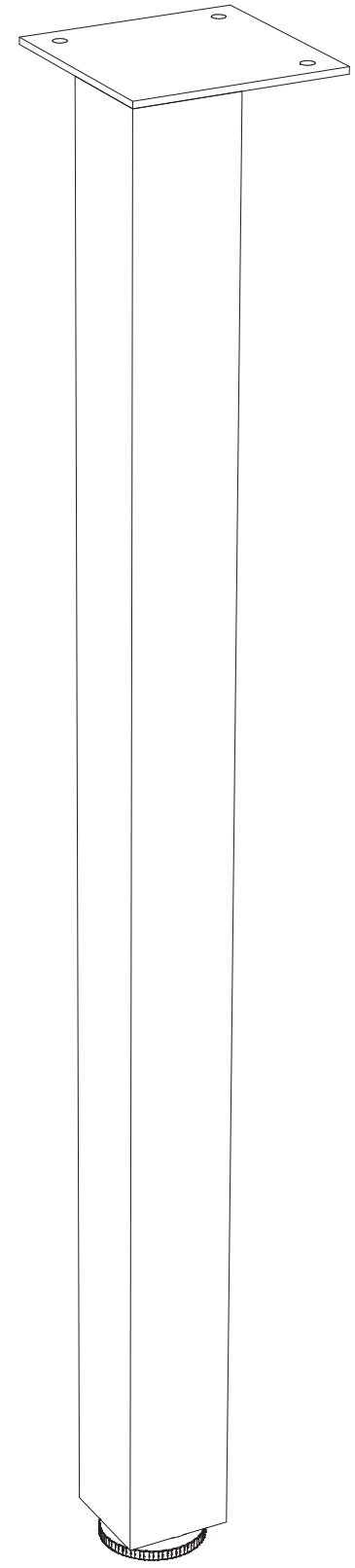
- ADJUSTABLE GLIDES

WIDTH	SUPPORT	PART NUMBER	LIST PRICE
23.0625"	SIDE <b>(SEE FIGURE:1)</b>	EC-RSHL-24	\$594
29.0625"	SIDE	EC-RSHL-30	\$667
23.0625"	SHARED <b>(SEE FIGURE:2)</b>	EC-RSHL-24-SHD	\$646
29.0625"	SHARED	EC-RSHL-30-SHD	\$720

- SEE CHART ON PAGE-6 FOR AVAILABLE PAINT COLORS



# SQUARE POST LEG



**FEATURES:**

- ADJUSTABLE GLIDES

**TO ORDER, SPECIFY:**

- PART NUMBER / SIZE
- PAINT COLOR

\*TOP SPECIFIED SEPARATELY

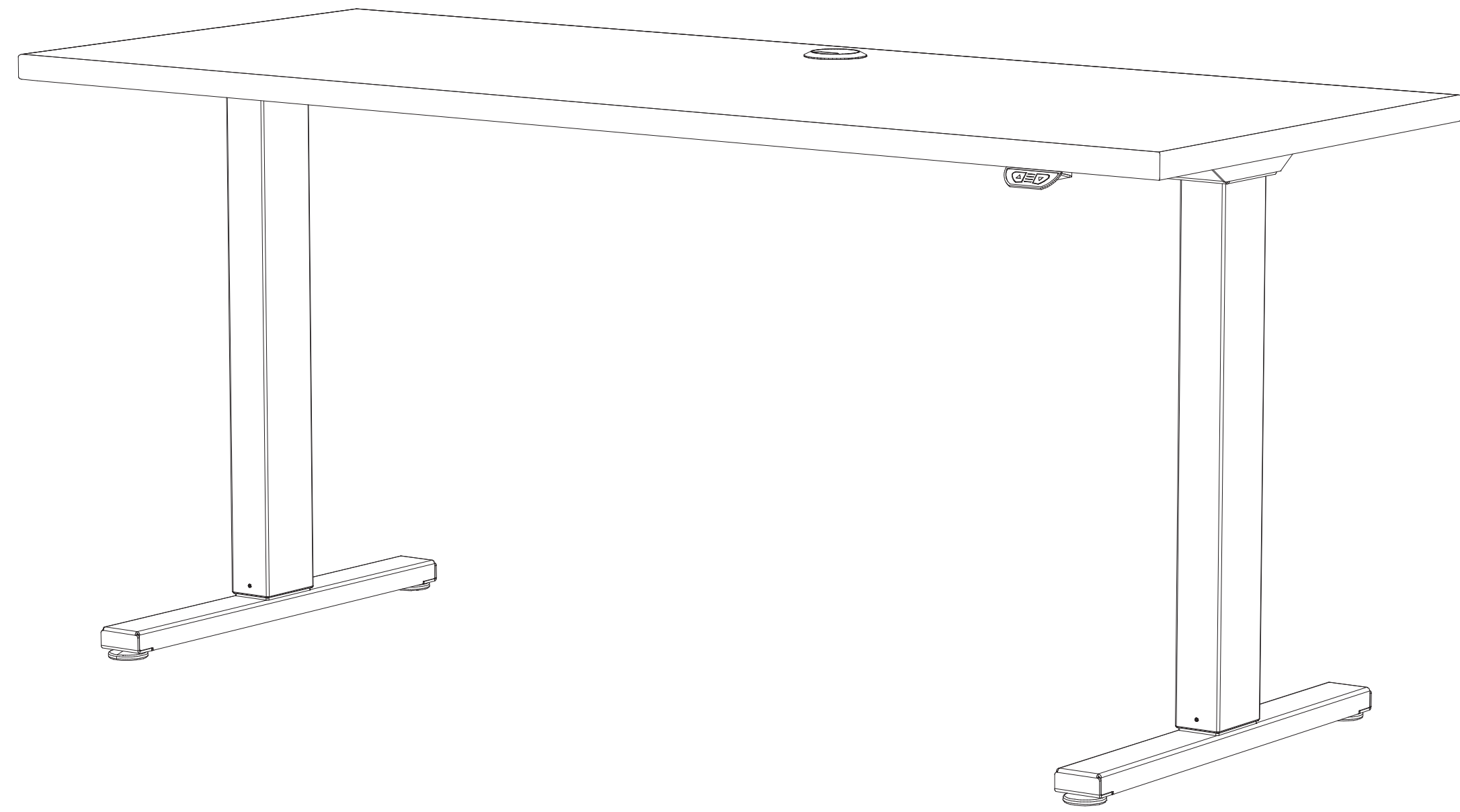
TUBE SIZE	HEIGHT	PART NUMBER	LIST PRICE
2"	27.5"	EC-SQ-RH	\$258

- SEE CHART ON PAGE-6 FOR AVAILABLE PAINT COLORS





# PIVOT HEIGHT ADJUSTABLE BASE



**FEATURES:**

- UP/DOWN HANDSWITCH
- PROGRAMABLE SIT/STAND POSITION
- DUAL MOTOR
- MADE IN U.S.

**TO ORDER, SPECIFY:**

- PART NUMBER
- PAINT COLOR

\*TOP SPECIFIED SEPARATELY

DESCRIPTION	PART NUMBER	LIST PRICE
DUAL MOTOR HEIGHT ADJUSTABLE BASE WITH PROGRAMMABLE HANDSET	TT-PIVOT	\$1250
SUPPORT BAR FOR SURFACES 60"-72"	EC-SPCLT-BAR	\$147

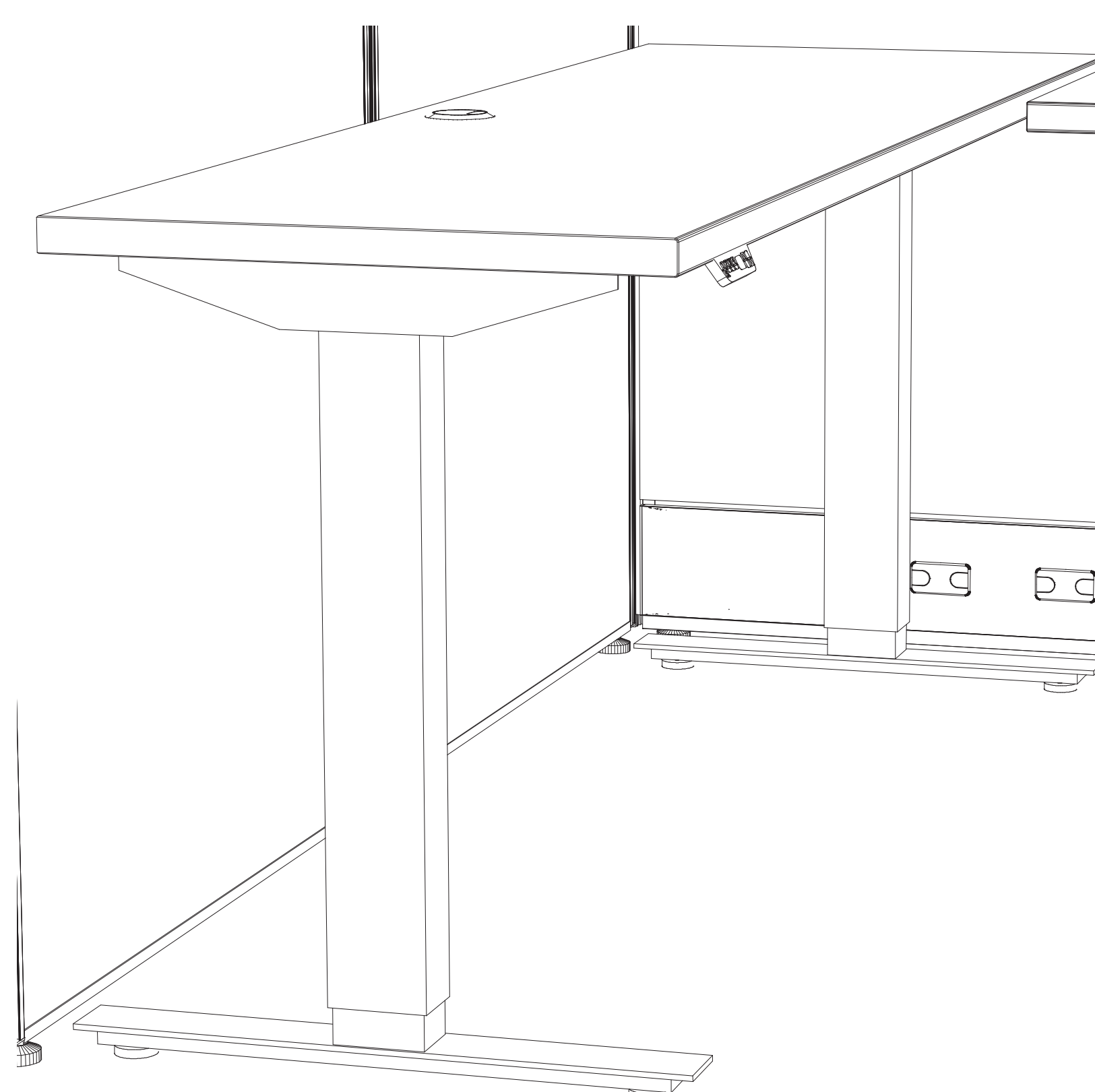
- SEE CHART ON PAGE-6 FOR AVAILABLE PAINT COLORS

**NOTES:**

- SURFACES 60"-72" REQUIRE A SUPPORT CHANNEL
- ONLY AVAILABLE IN METALLIC SILVER



# CLEVER 2-LEG HEIGHT ADJUSTABLE BASE



**FEATURES:**

- PROGRAM UP TO 4 SET HEIGHTS
- DUAL MOTOR
- MADE IN US

**TO ORDER, SPECIFY:**

- PART NUMBER
- PAINT COLOR

\*TOP SPECIFIED SEPARATELY

DESCRIPTION	PART NUMBER	LIST PRICE
DUAL MOTOR HEIGHT ADJUSTABLE BASE WITH PROGRAMMABLE HANDSET	EC-CLEVER-HAB	\$1875
SUPPORT CHANNEL USED FOR SURFACES 69"-84" WIDE	EC-CHANNEL-HAT	\$163

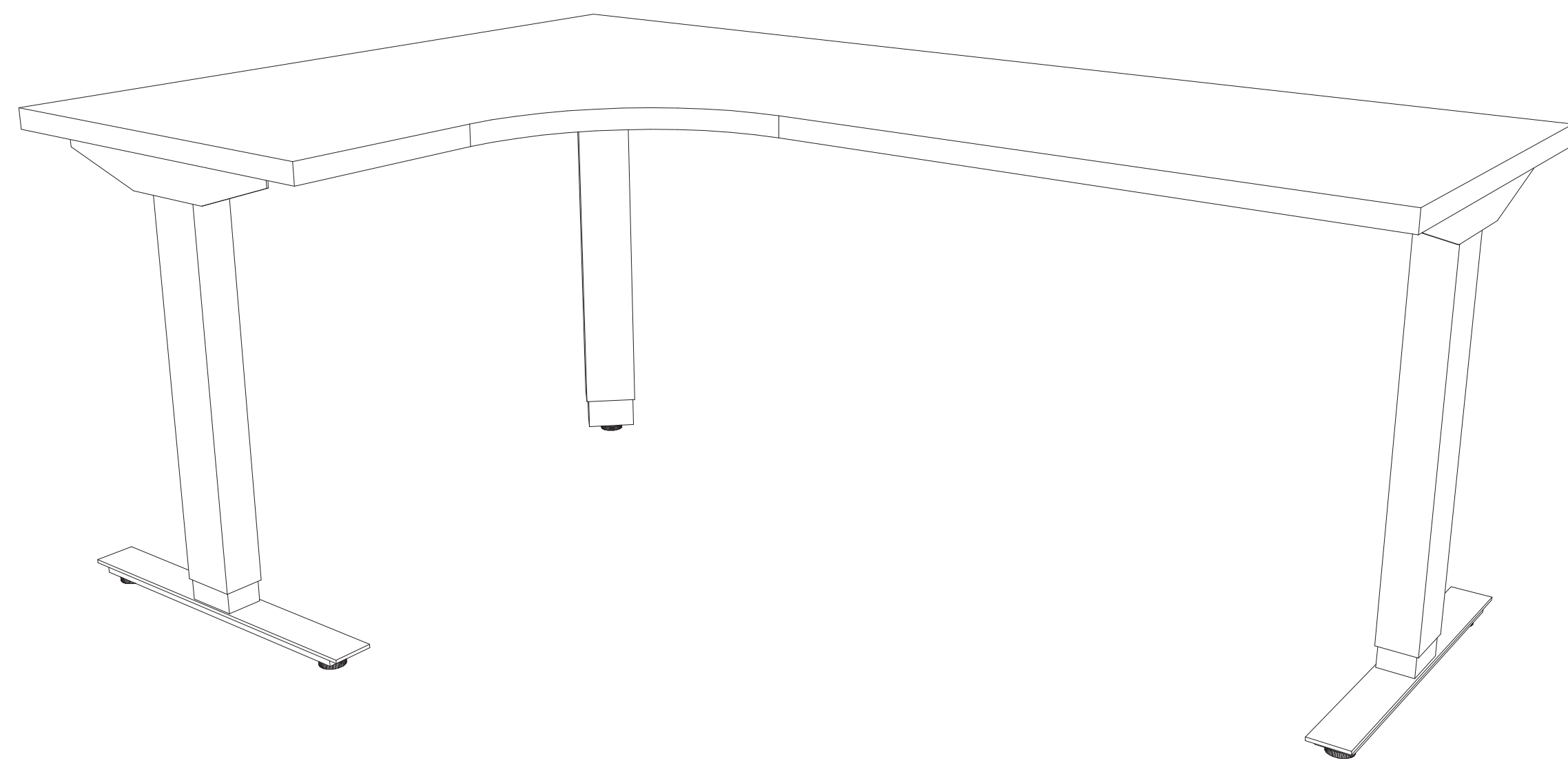
- SEE CHART ON PAGE-6 FOR AVAILABLE PAINT COLORS

**NOTES:**

- ONLY AVAILABLE IN METALLIC SILVER



# CLEVER 3-LEG HEIGHT AJUSTABLE BASE



**FEATURES:**

- PROGRAM UP TO 4 SET HEIGHTS
- AVAILABLE IN 24 DIFFERENT COLORS

**TO ORDER, SPECIFY:**

- PART NUMBER
- LAMINATE COLOR

\*TOP SPECIFIED SEPARATELY

DESCRIPTION	PART NUMBER	LIST PRICE
TRIPLE MOTOR HEIGHT ADJUSTABLE BASE WITH PROGRAMMABLE HANDSET	TT-CLEVER-3	\$2800

**NOTES:**

- UNSUPPORTED LENGTHS OF 60" OR GREATER WILL REQUIRE A SUPPORT CHANNEL (SEE PAGE-43)



# SURFACES: ROUND



**FEATURES:**

- MATCHING 3mm EDGE

**TO ORDER, SPECIFY:**

- PART NUMBER / SIZE
- LAMINATE COLOR

\*TABLE LEG NOT INCLUDED

DIAMETER	PART NUMBER	LIST PRICE
24"	TT-TPR-24-T	\$220
30" (SHOWN ABOVE)	TT-TPR-30-T	\$265
36"	TT-TPR-36-T	\$310
42"	TT-TPR-42-T	\$355
48"	TT-TPR-48-T	\$400





# SURFACES: SQUARE



**FEATURES:**

- MATCHING 3mm EDGE

**TO ORDER, SPECIFY:**

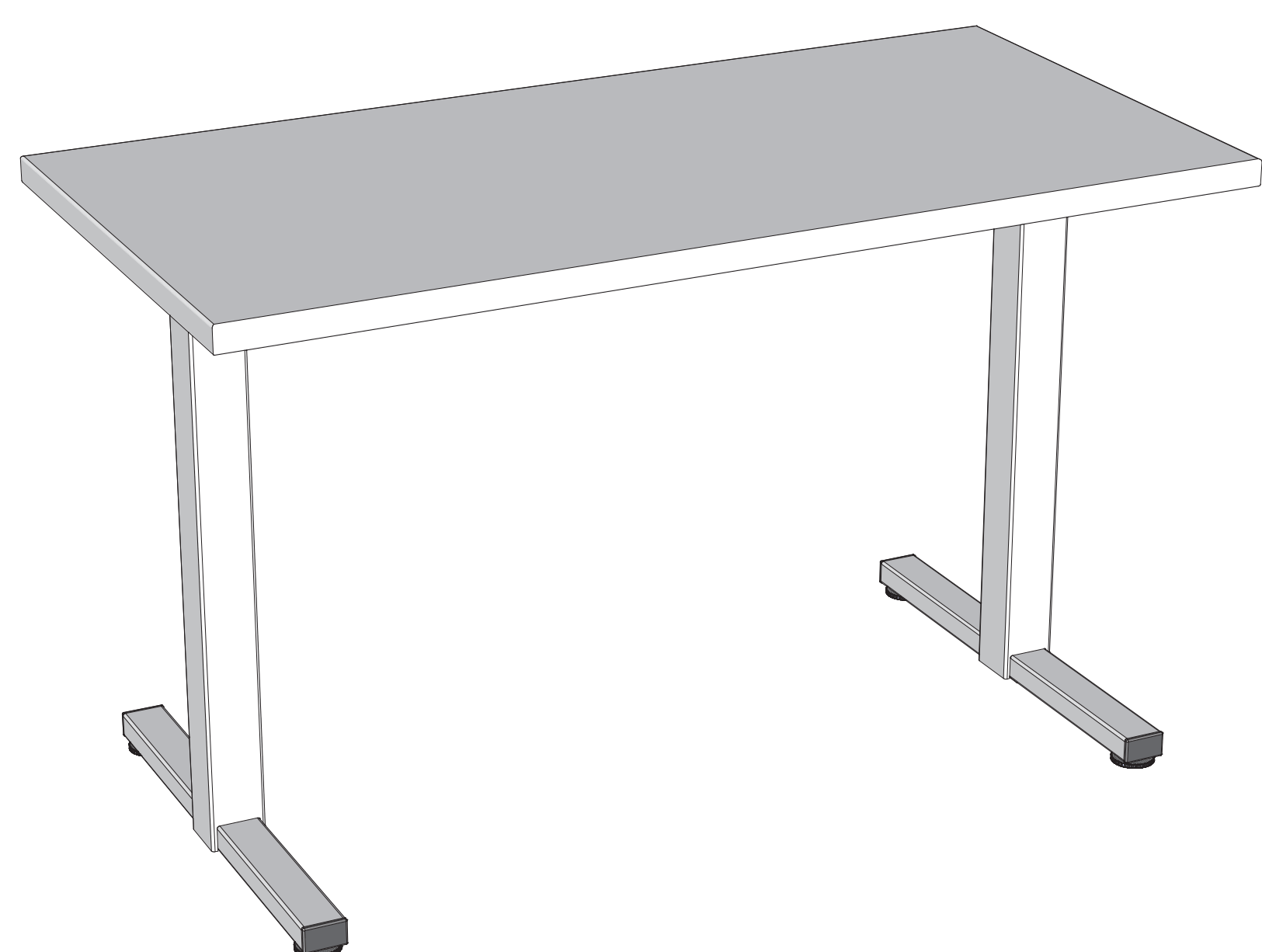
- PART NUMBER / SIZE
- LAMINATE COLOR

\*TABLE LEG NOT INCLUDED

WIDTH	PART NUMBER	LIST PRICE
24"	TT-TPS-2424-T	\$200
30" (SHOWN ABOVE)	TT-TPS-3030-T	\$245
36"	TT-TPS-3636-T	\$290
42"	TT-TPS-4242-T	\$335
48"	TT-TPS-4848-T	\$380



# SURFACES: RECTANGLE



**FEATURES:**

- MATCHING 3mm EDGE

**TO ORDER, SPECIFY:**

- PART NUMBER / SIZE
- LAMINATE COLOR

**PART: TT-WS-36-24**

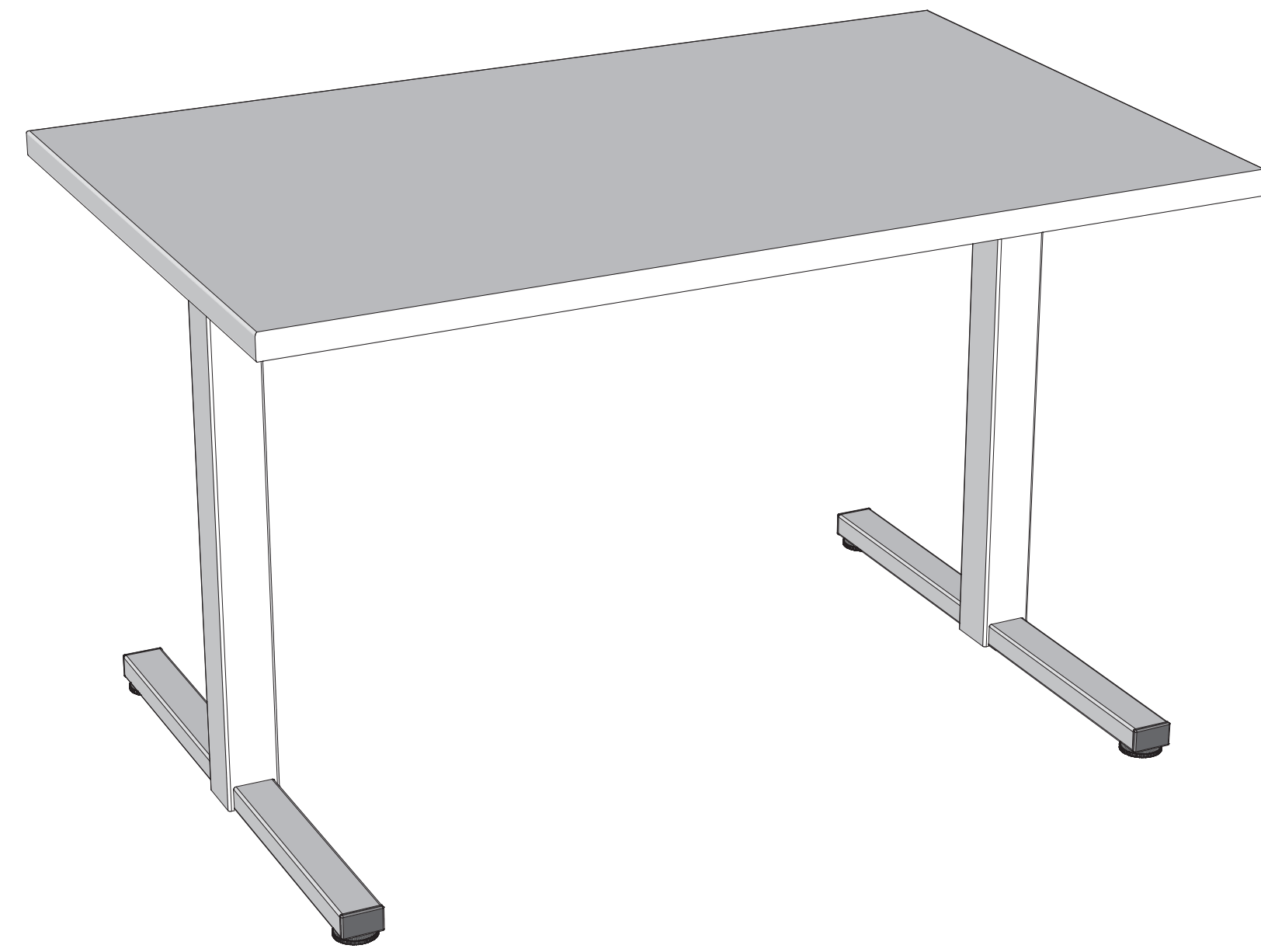


\*TABLE LEGS NOT INCLUDED

WIDTH	DEPTH	PART NUMBER	LIST PRICE
30"	24"	TT-WS-30-24	\$168
36"	24"	TT-WS-36-24	\$192
42"	24"	TT-WS-42-24	\$220
48"	24" (SHOWN ABOVE)	TT-WS-48-24	\$226
60"	24"	TT-WS-60-24	\$266
66"	24"	TT-WS-66-24	\$370
72"	24"	TT-WS-72-24	\$423
84"	24"	TT-WS-84-24	\$492
96"	24"	TT-WS-96-24	\$492



# SURFACES: RECTANGLE



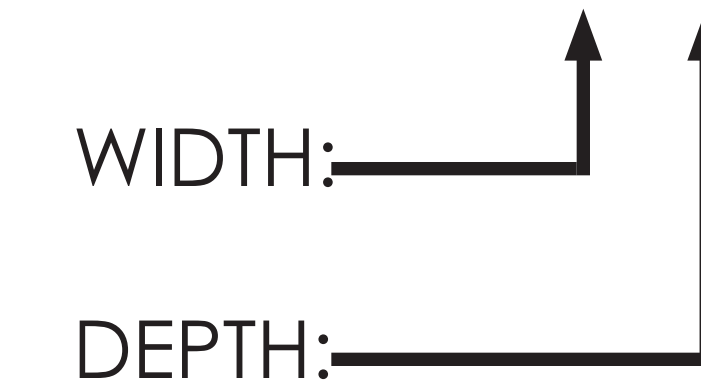
**FEATURES:**

- MATCHING 3mm EDGE

**TO ORDER, SPECIFY:**

- PART NUMBER / SIZE
- LAMINATE COLOR

**PART: TT-WS-36-30**

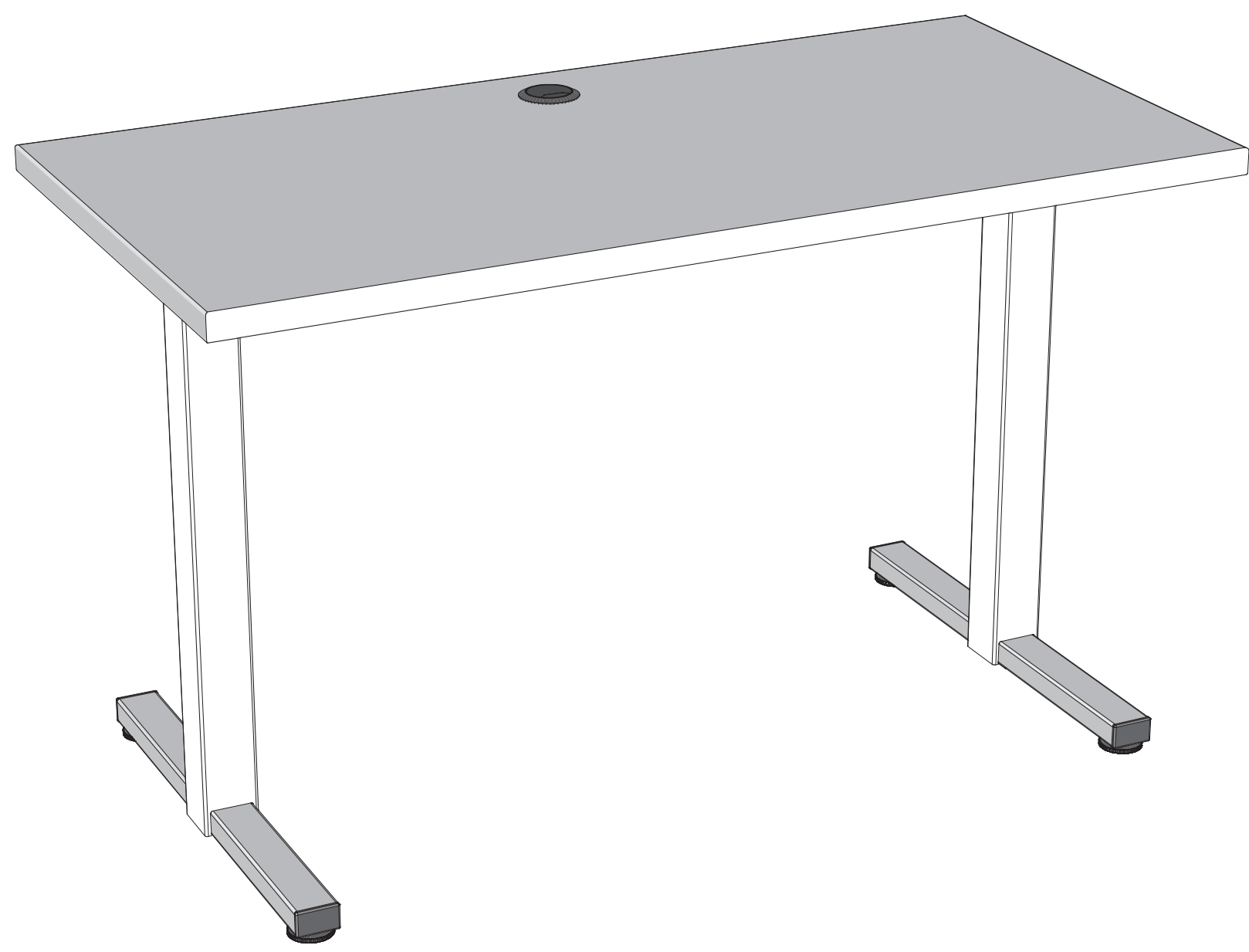


\*TABLE LEGS NOT INCLUDED

WIDTH	DEPTH	PART NUMBER	LIST PRICE
30"	30"	TT-WS-30-30	\$220
36"	30"	TT-WS-36-30	\$238
42"	30"	TT-WS-42-30	\$266
48"	30" <b>(SHOWN ABOVE)</b>	TT-WS-48-30	\$296
60"	30"	TT-WS-60-30	\$353
66"	30"	TT-WS-66-30	\$408
72"	30"	TT-WS-72-30	\$439
84"	30"	TT-WS-84-30	\$509
96"	30"	TT-WS-96-30	\$509



# 24" DEEP SURFACE W/ ROUND GROMMET



**FEATURES:**

- MATCHING 3mm EDGE

**TO ORDER, SPECIFY:**

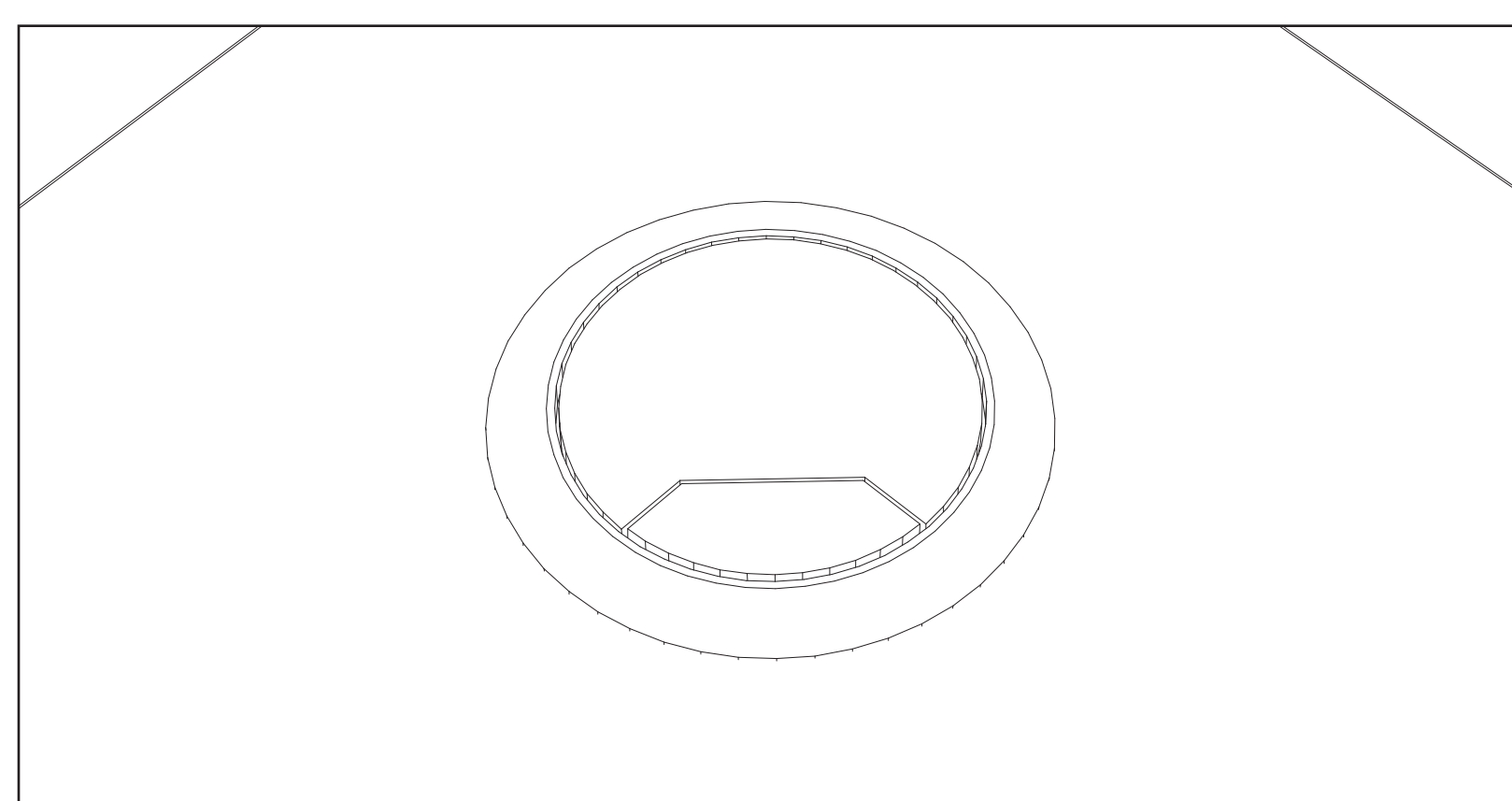
- PART NUMBER / SIZE
- LAMINATE COLOR

**PART: TT-WSG-1-36-24**



\*TABLE LEGS NOT INCLUDED

WIDTH	DEPTH	PART NUMBER	LIST PRICE
30"	24"	TT-WSG-1-30-24	\$223
36"	24"	TT-WSG-1-36-24	\$223
42"	24"	TT-WSG-1-42-24	\$251
48"	24" (SHOWN ABOVE)	TT-WSG-1-48-24	\$258
60"	24"	TT-WSG-1-60-24	\$298
66"	24"	TT-WSG-1-66-24	\$402
72"	24"	TT-WSG-1-72-24	\$454
84"	24"	TT-WSG-1-84-24	\$523
96"	24"	TT-WSG-1-96-24	\$523



**GROMMET TYPE: 1**

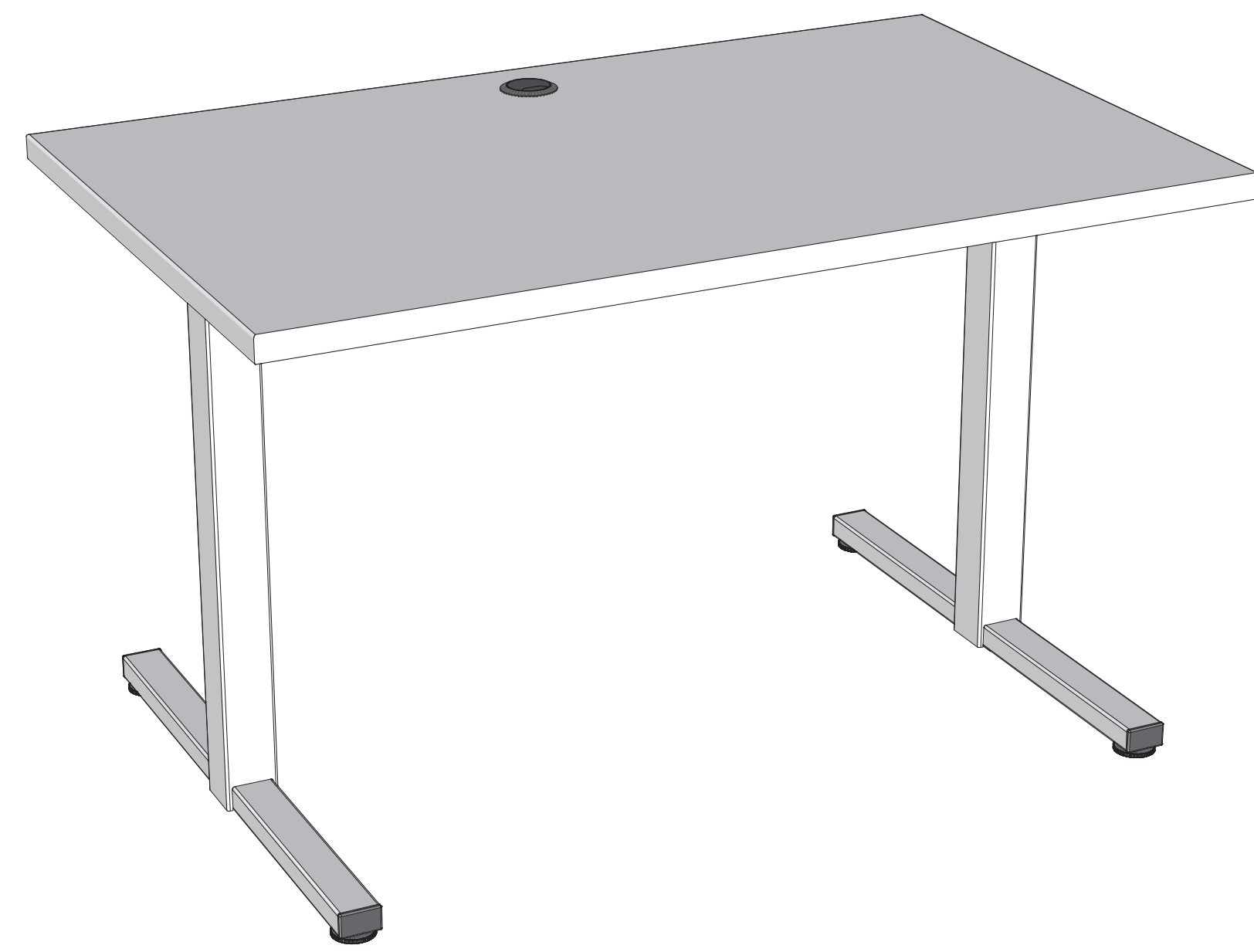
**NOTES:**

- GROMMETS ARE CENTERED ON THE BACK OF THE SURFACE





# 30" DEEP SURFACE W/ ROUND GROMMET



**FEATURES:**

- MATCHING 3mm EDGE

**TO ORDER, SPECIFY:**

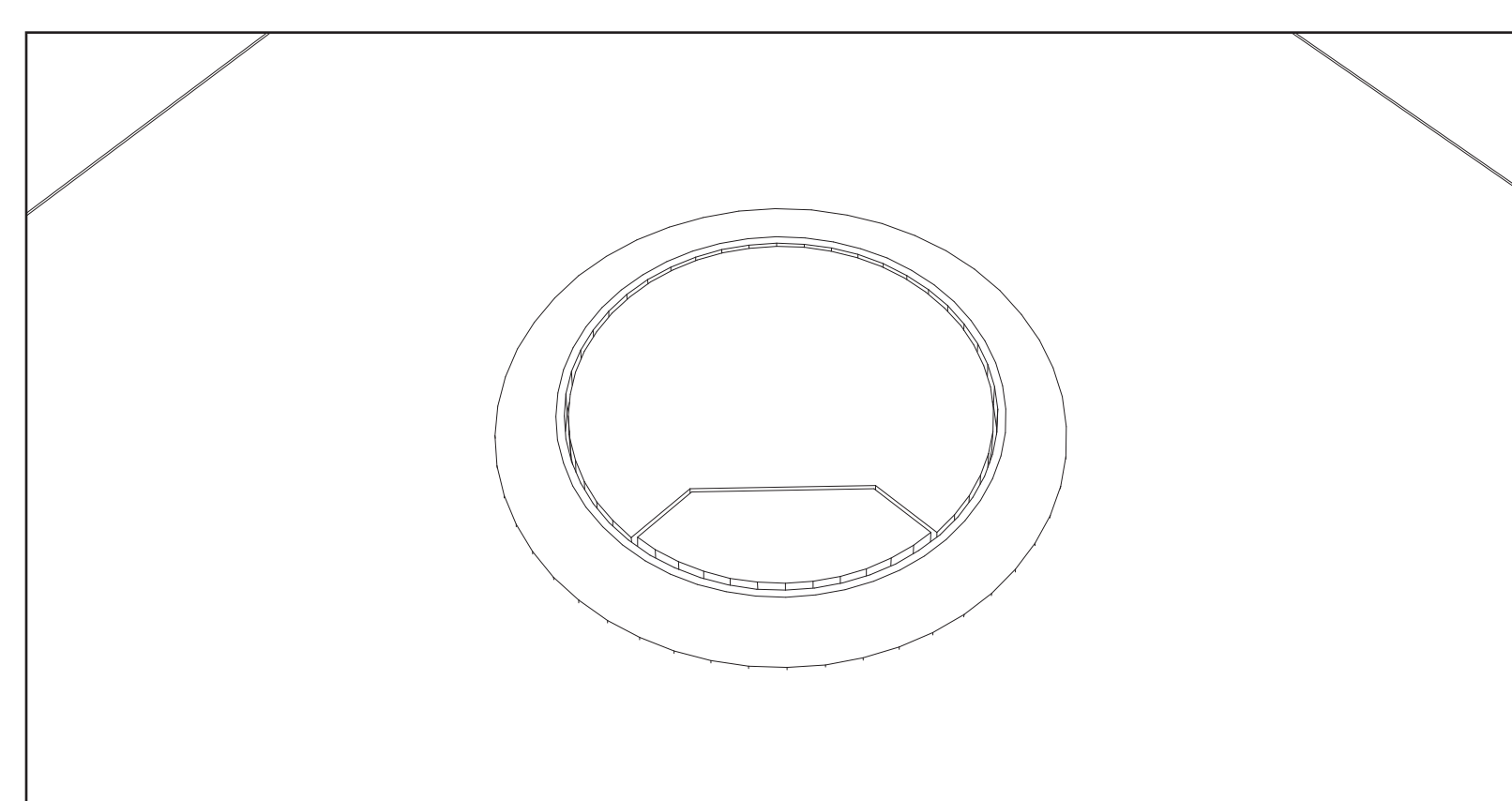
- PART NUMBER / SIZE
- LAMINATE COLOR

**PART: TT-WSG-1-36-30**



\*TABLE LEGS NOT INCLUDED

WIDTH	DEPTH	PART NUMBER	LIST PRICE
30"	30"	TT-WSG-1-30-30	\$251
36"	30"	TT-WSG-1-36-30	\$269
42"	30"	TT-WSG-1-42-30	\$298
48"	30" (SHOWN ABOVE)	TT-WSG-1-48-30	\$327
60"	30"	TT-WSG-1-60-30	\$385
66"	30"	TT-WSG-1-66-30	\$439
72"	30"	TT-WSG-1-72-30	\$471
84"	30"	TT-WSG-1-84-30	\$540
96"	30"	TT-WSG-1-96-30	\$540



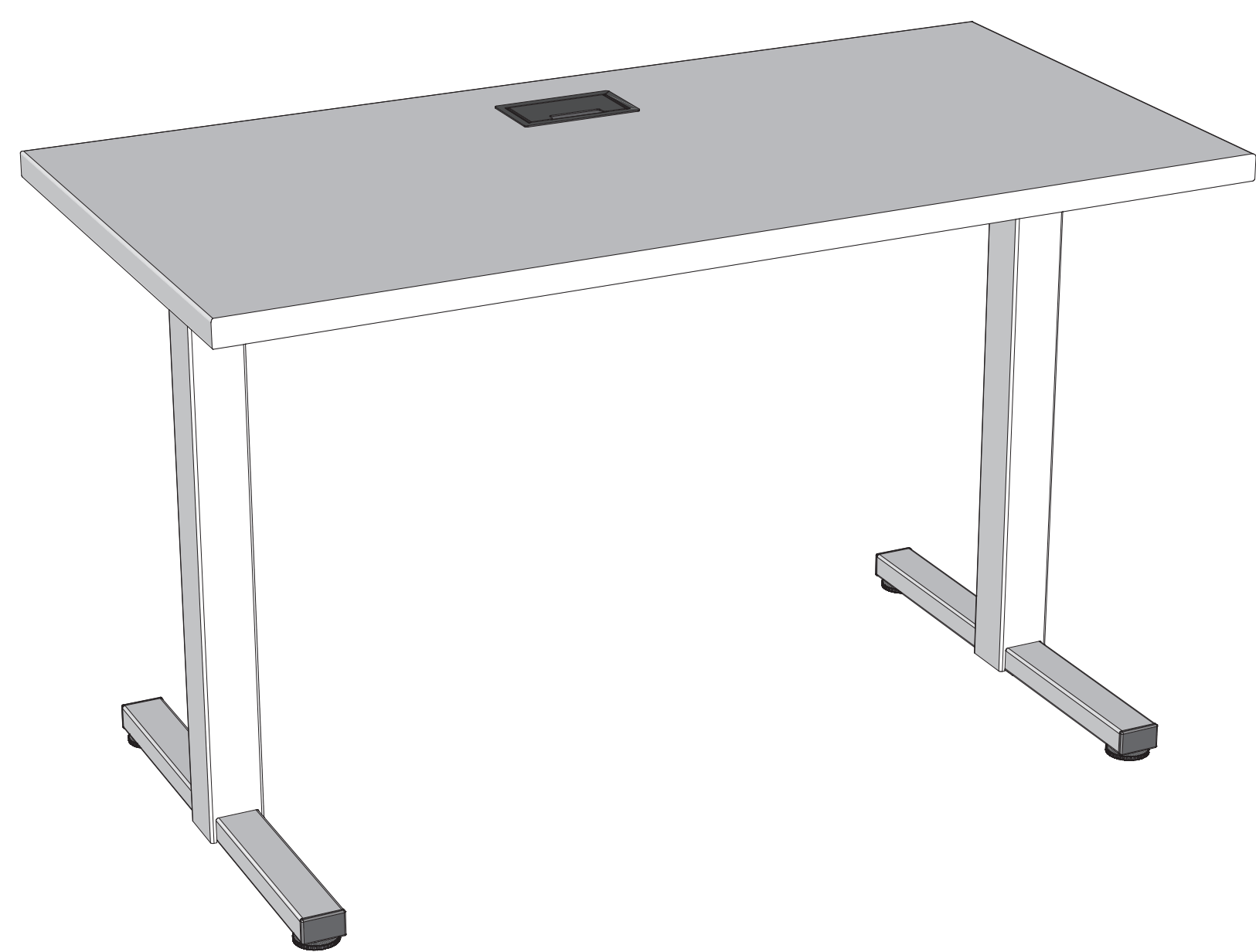
**GROMMET TYPE: 1**

**NOTES:**

- GROMMETS ARE CENTERED ON THE BACK OF THE SURFACE



# 24" DEEP SURFACE W/ RECTANGLE GROMMET



**FEATURES:**

- MATCHING 3mm EDGE
- HEAVY DUTY METAL GROMMET
- EASY ACCESS TO DESKTOP POWER

**TO ORDER, SPECIFY:**

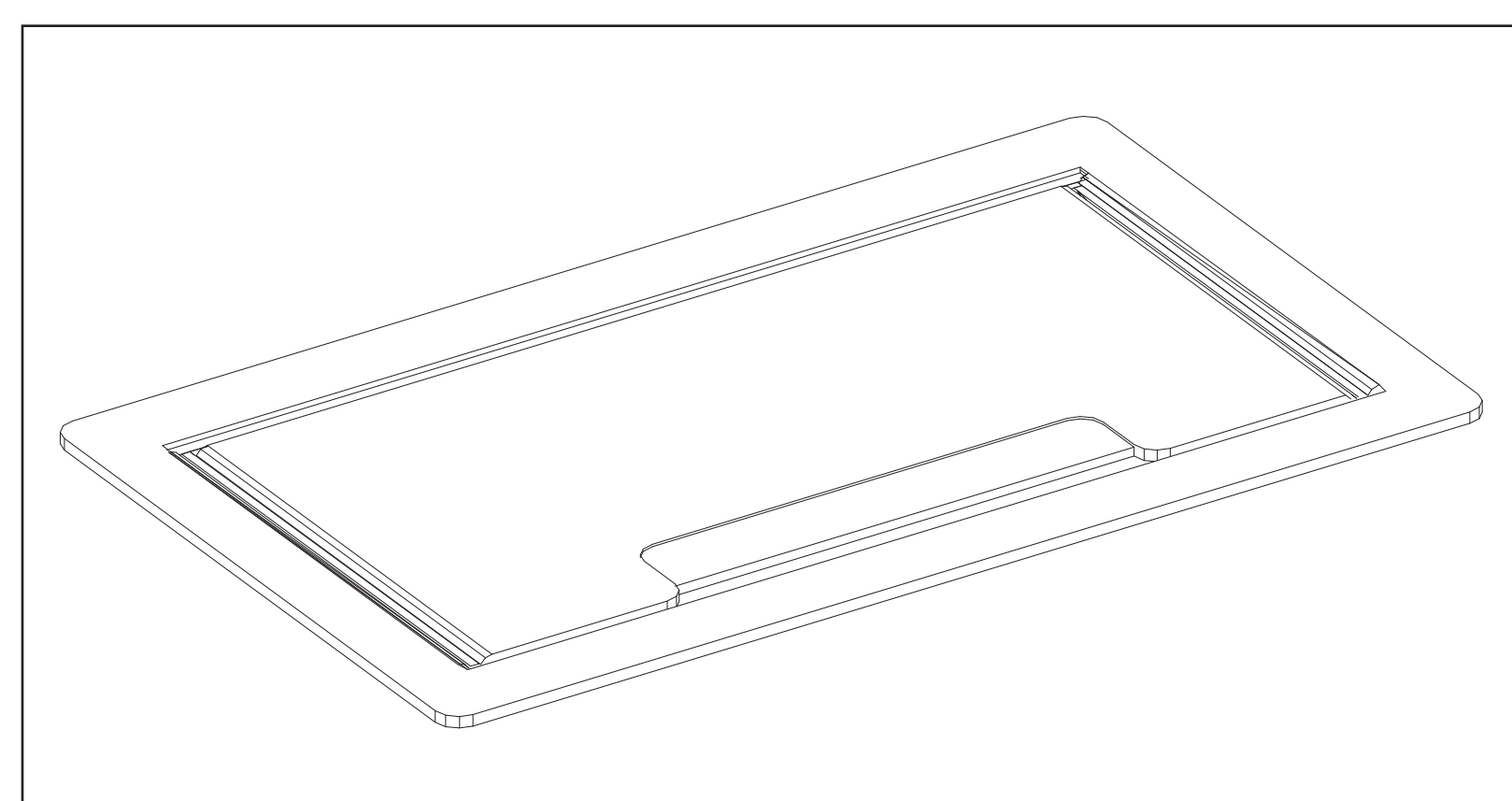
- PART NUMBER / SIZE
- LAMINATE COLOR

**PART: TT-WSG-2-36-24**



\*TABLE LEGS NOT INCLUDED

WIDTH	DEPTH	PART NUMBER	LIST PRICE
30"	24"	TT-WSG-2-30-24	\$244
36"	24"	TT-WSG-2-36-24	\$244
42"	24"	TT-WSG-2-42-24	\$272
48"	24" (SHOWN ABOVE)	TT-WSG-2-48-24	\$279
60"	24"	TT-WSG-2-60-24	\$319
66"	24"	TT-WSG-2-66-24	\$423
72"	24"	TT-WSG-2-72-24	\$475
84"	24"	TT-WSG-2-84-24	\$544
96"	24"	TT-WSG-2-96-24	\$544



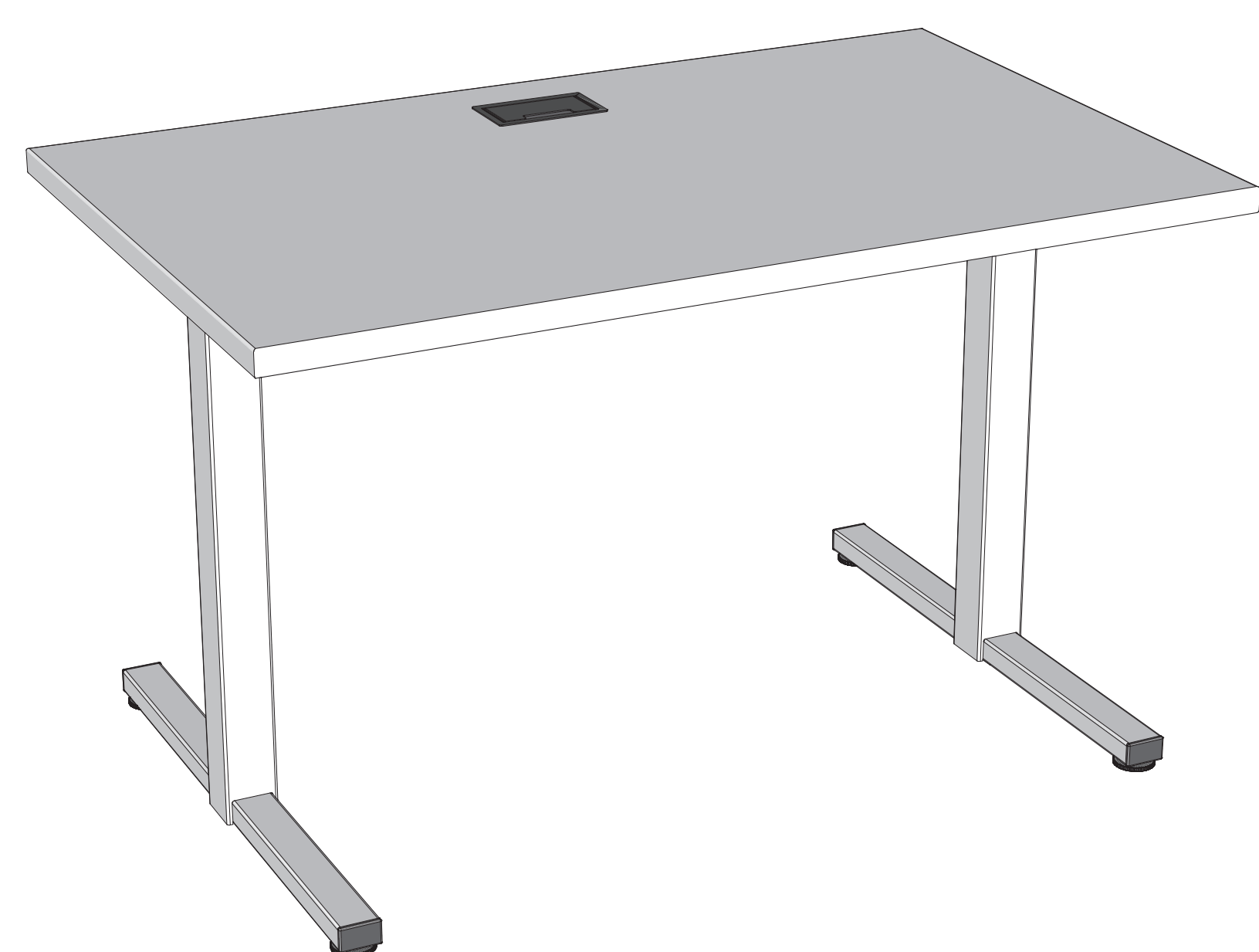
**GROMMET TYPE: 2**

**NOTES:**

- GROMMETS ARE CENTERED ON THE BACK OF THE SURFACE



# 30" DEEP SURFACE W/ RECTANGLE GROMMET



**FEATURES:**

- MATCHING 3mm EDGE
- HEAVY DUTY METAL GROMMET
- EASY ACCESS TO DESKTOP POWER

**TO ORDER, SPECIFY:**

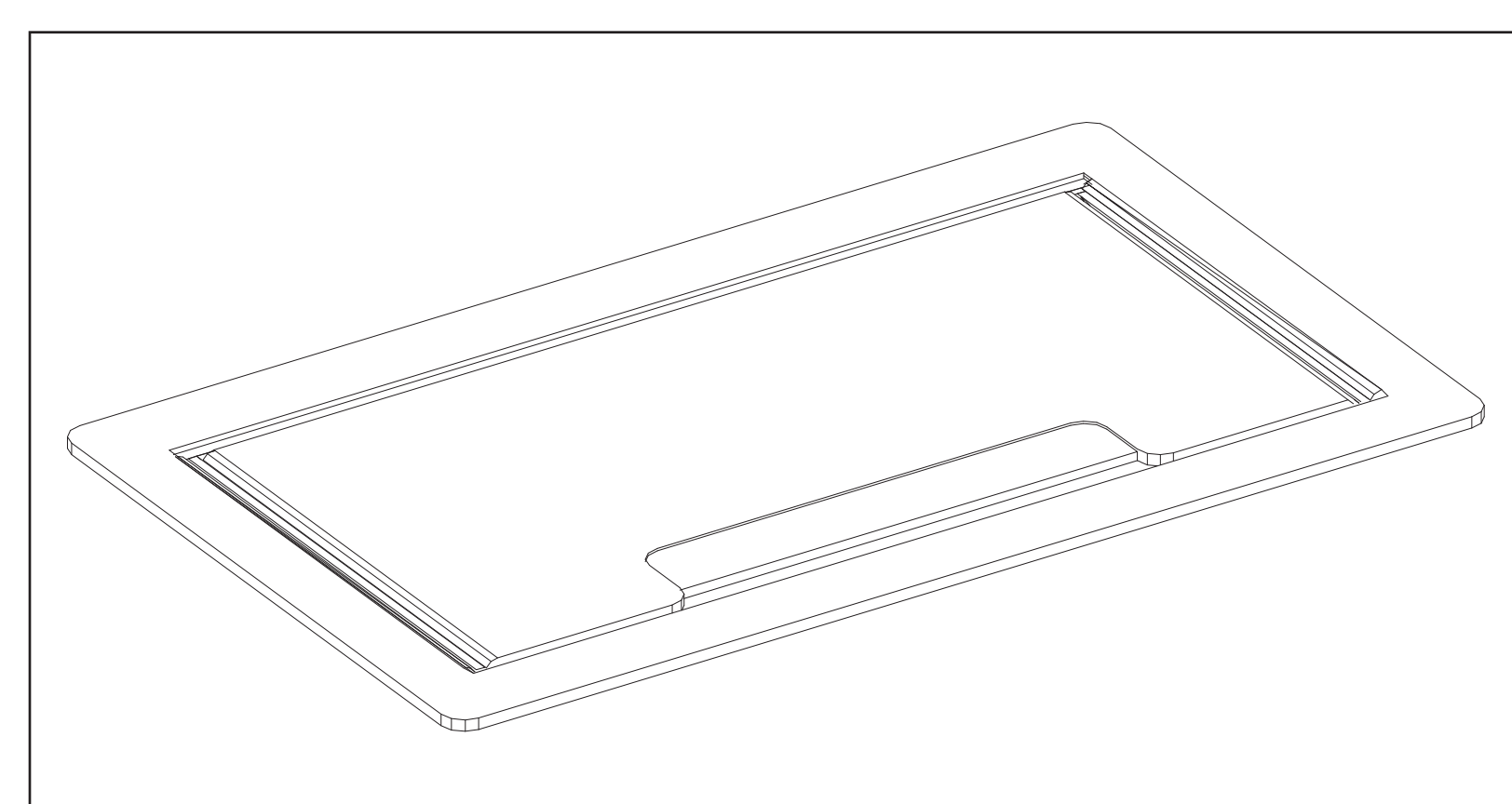
- PART NUMBER / SIZE
- LAMINATE COLOR

**PART: TT-WSG-2-36-30**



\*TABLE LEGS NOT INCLUDED

WIDTH	DEPTH	PART NUMBER	LIST PRICE
30"	30"	TT-WSG-2-30-30	\$272
36"	30"	TT-WSG-2-36-30	\$290
42"	30"	TT-WSG-2-42-30	\$319
48"	30" (SHOWN ABOVE)	TT-WSG-2-48-30	\$348
60"	30"	TT-WSG-2-60-30	\$406
66"	30"	TT-WSG-2-66-30	\$460
72"	30"	TT-WSG-2-72-30	\$492
84"	30"	TT-WSG-2-84-30	\$561
96"	30"	TT-WSG-2-96-30	\$561



**GROMMET TYPE: 2**

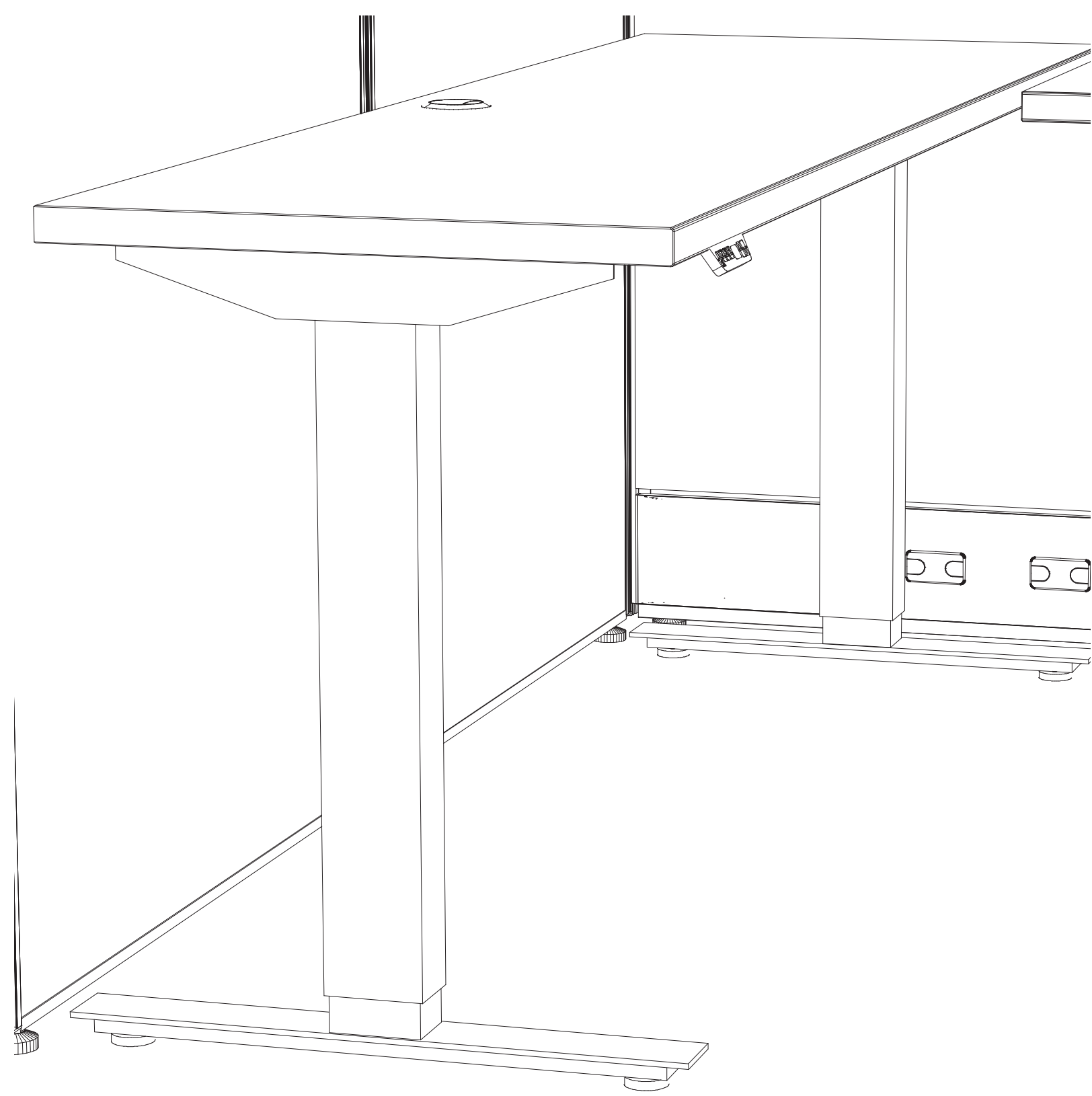
**NOTES:**

- GROMMETS ARE CENTERED ON THE BACK OF THE SURFACE





# HEIGHT ADJUSTABLE SURFACES



\*TABLE LEGS NOT INCLUDED

**FEATURES:**

- ROUND GROMMET (TYPE-1)
- CUT 1" SHORT ON ALL SIDES TO PREVENT SURFACES PINCHING ON PANELS AND SURROUNDING SURFACES

**TO ORDER, SPECIFY:**

- PART NUMBER
- LAMINATE COLOR

**PART: TT-WSG-1-36-24**

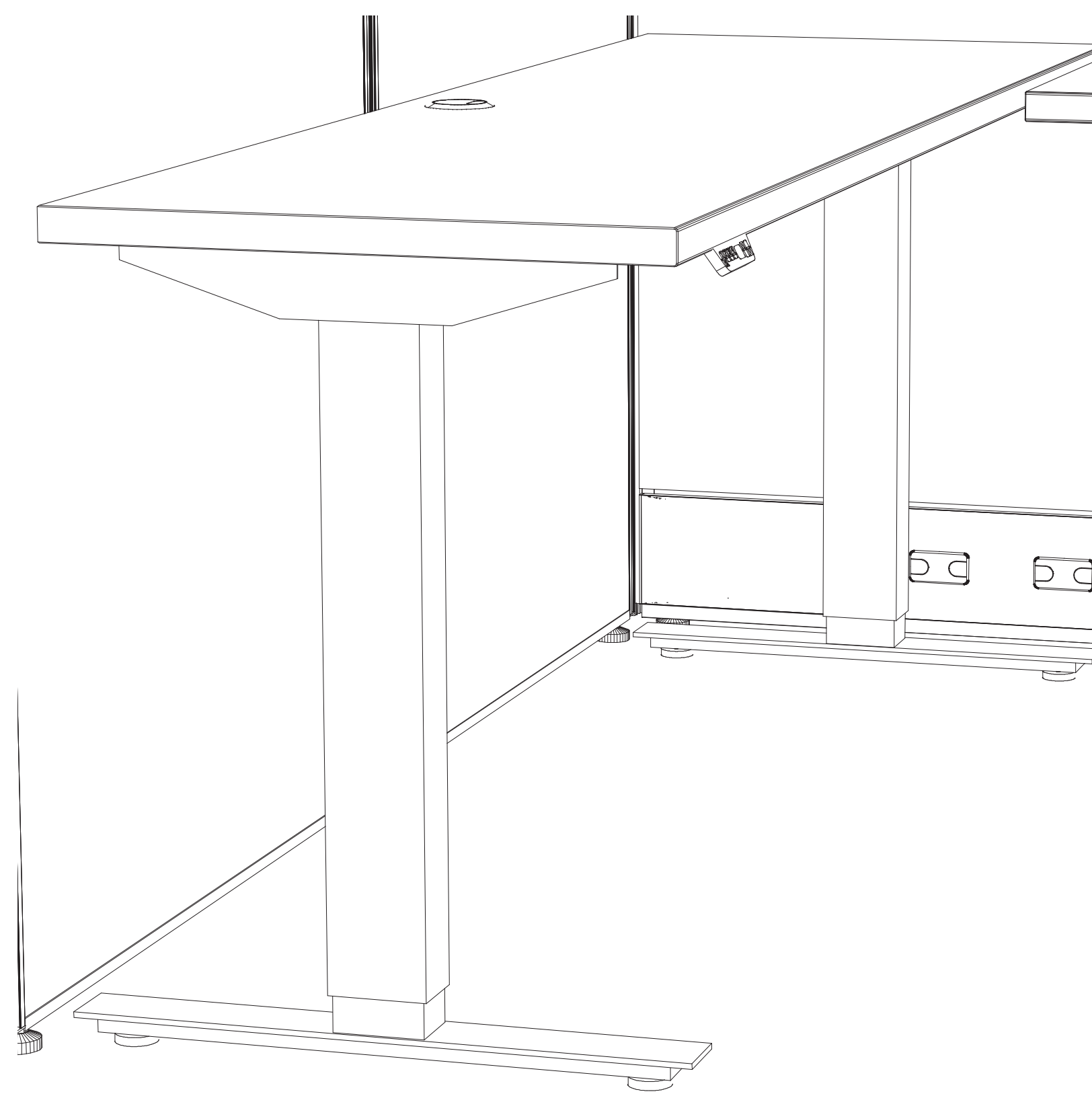


WIDTH	DEPTH	PART NUMBER	LIST PRICE
46"	22"	TT-WSG-1-46-22	\$258
58"	22"	TT-WSG-1-58-22	\$298
70"	22"	TT-WSG-1-70-22	\$454





# HEIGHT ADJUSTABLE SURFACES



\*TABLE LEGS NOT INCLUDED

**FEATURES:**

- ROUND GROMMET (TYPE-1)
- CUT 1" SHORT ON ALL SIDES TO PREVENT SURFACES PINCHING ON PANELS AND SURROUNDING SURFACES

**TO ORDER, SPECIFY:**

- PART NUMBER
- LAMINATE COLOR

**PART: TT-WSG-1-36-30**



WIDTH	DEPTH	PART NUMBER	LIST PRICE
46"	28"	TT-WSG-1-46-28	\$327
58"	28"	TT-WSG-1-58-28	\$385
70"	28"	TT-WSG-1-70-28	\$471

# SURFACES: CUSTOM



**NOTES:**

- GROMMETS SOLD SEPARATELY

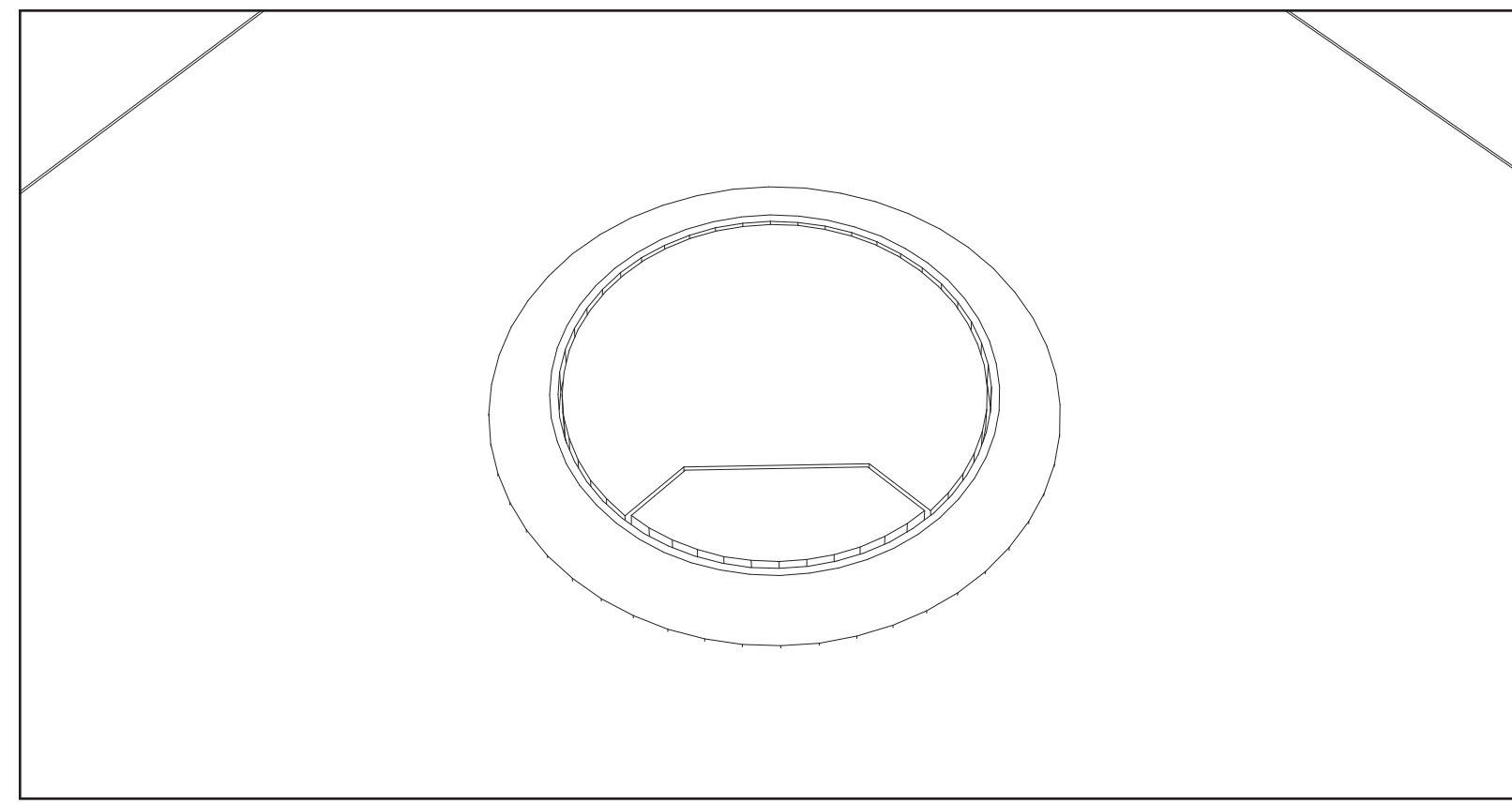
**TO ORDER, SPECIFY:**

- PART NUMBER / SIZE
- LAMINATE COLOR

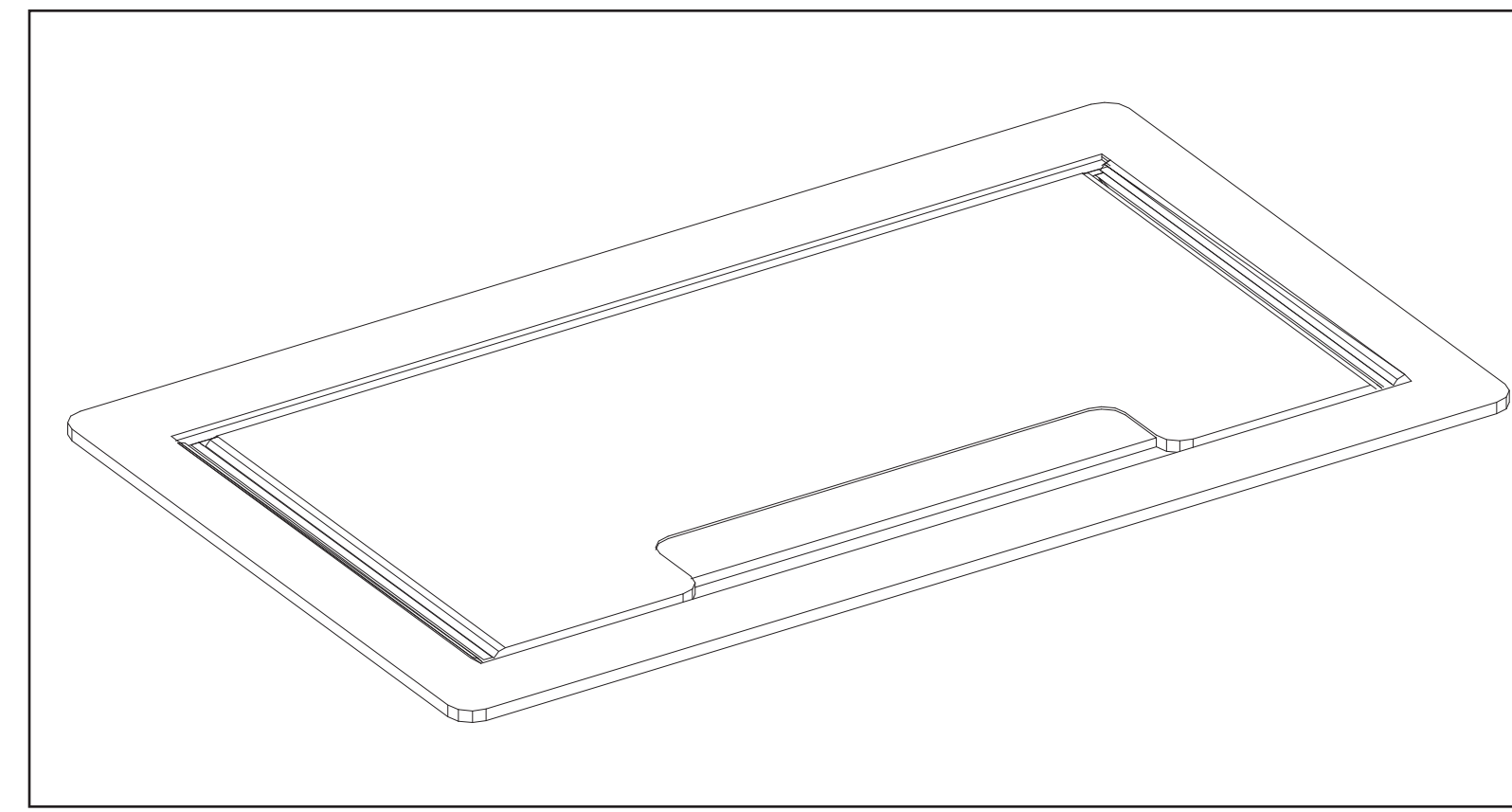
MAX WIDTH	MAX DEPTH	PART NUMBER	LIST PRICE
48"	24"	TT-WS-CUST-424	\$284
48"	30"	TT-WS-CUST-430	\$373
48"	48"	TT-WS-CUST-448	\$555
72"	24"	TT-WS-CUST-624	\$531
72"	30"	TT-WS-CUST-630	\$552
72"	48"	TT-WS-CUST-648	\$832
96"	24"	TT-WS-CUST-824	\$615
96"	30"	TT-WS-CUST-830	\$636
96"	48"	TT-WS-CUST-848	\$1109



# GROMMETS



**GROMMET TYPE: 1**



**GROMMET TYPE: 2**

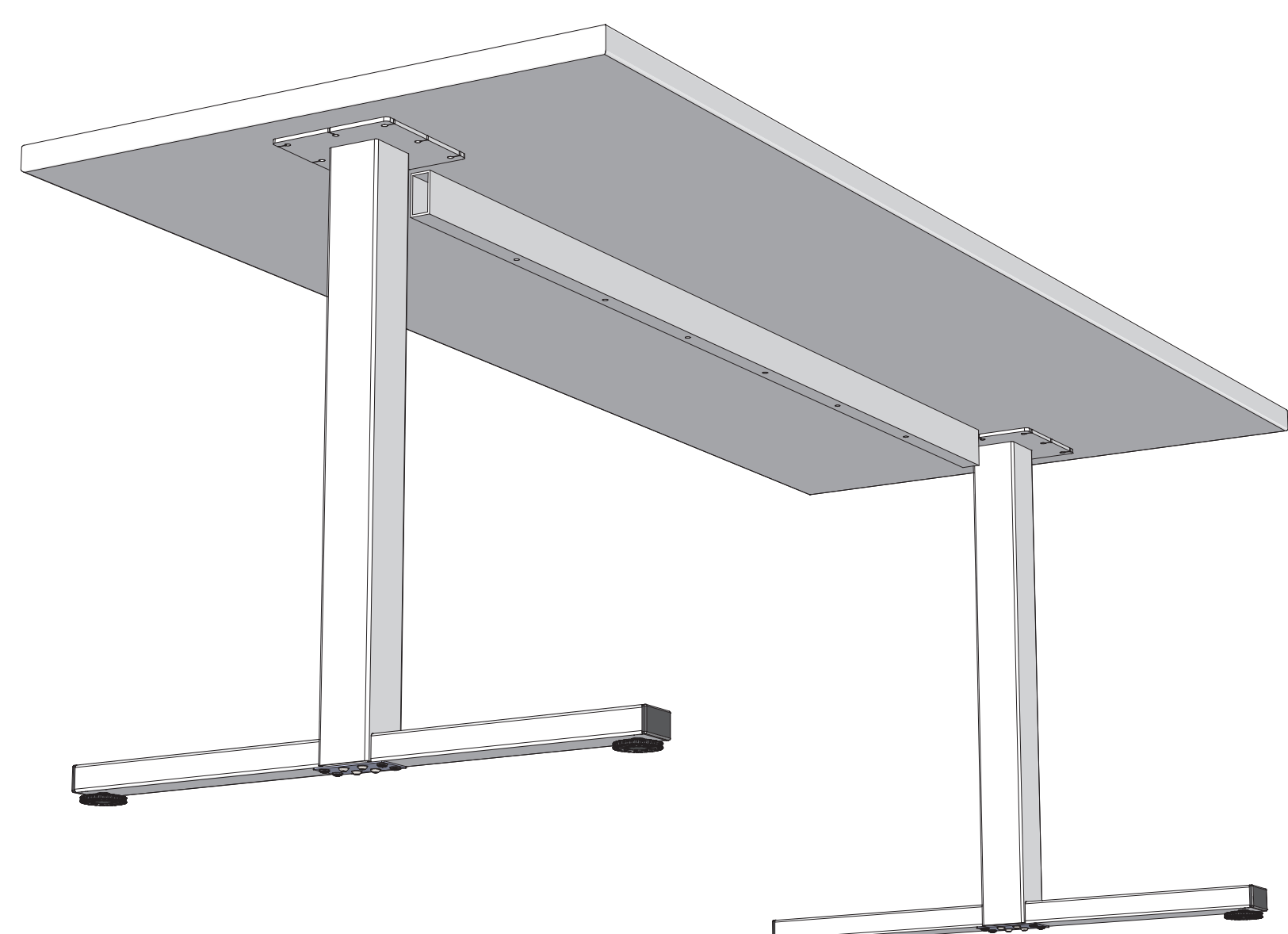
COLOR	DESCRIPTION	PART NUMBER	LIST PRICE
BLACK	ROUND PLASTIC GROMMET WITH REMOVABLE TOP <b>(GROMMET TYPE: 1)</b>	EC-WSG-1	\$37
BLACK	RECTANGLE METAL GROMMET WITH HINGED TOP <b>(GROMMET TYPE: 2)</b>	EC-VIL-GROM-B	\$58

**NOTES:**

- CONTACT RSI FOR PROPER CUT DIMENSIONS



# SUPPORT BAR



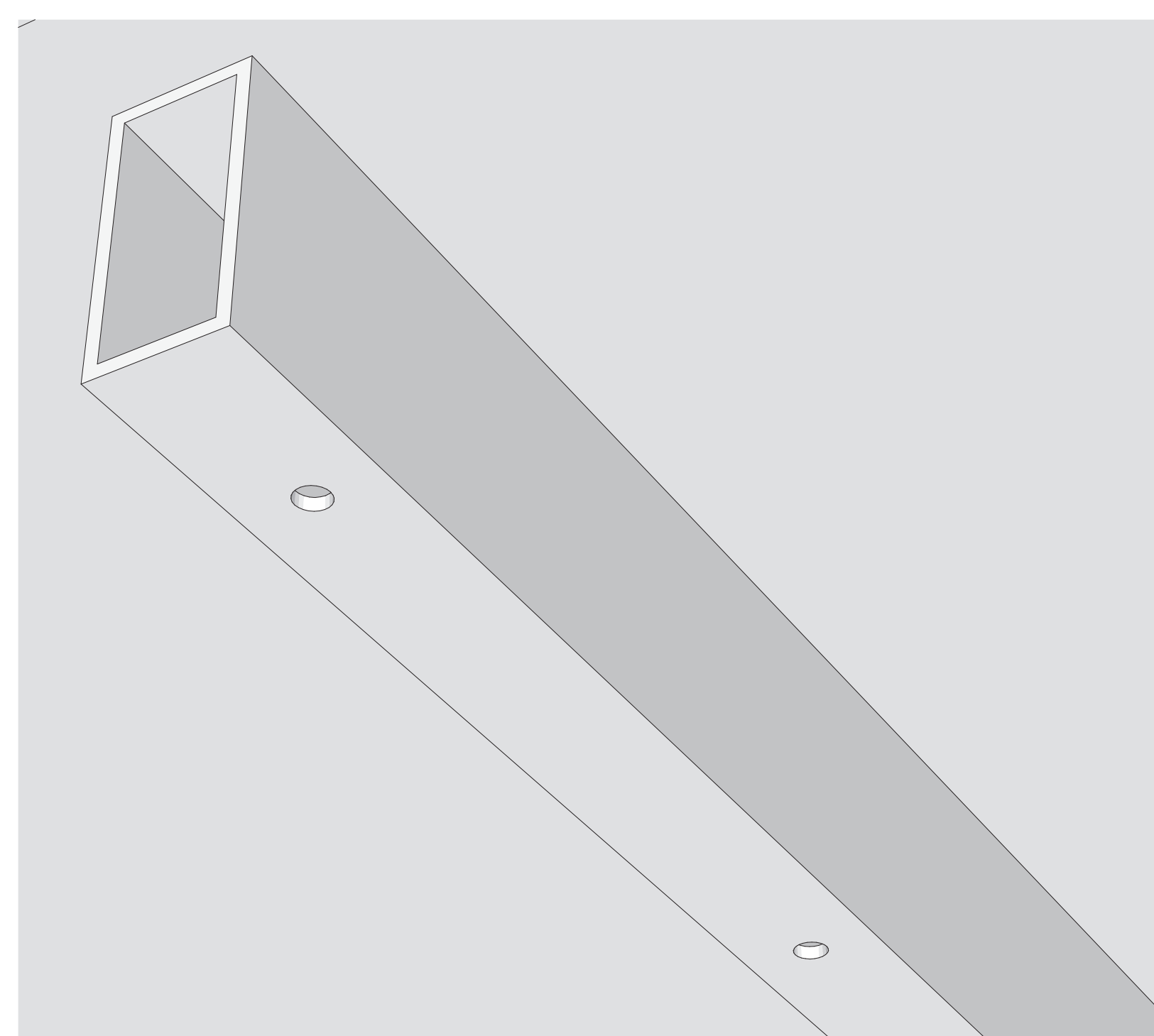
**NOTES:**

- MOUNTING HARDWARE INCLUDED
- PAINTED BLACK

**TO ORDER, SPECIFY:**

- PART NUMBER

LENGTH	DESCRIPTION	PART NUMBER	LIST PRICE
54"	54" WORKSURFACE SUPPORT BAR <b>(SHOWN ABOVE ON 6' TOP)</b>	EC-SPCLT-BAR	\$147



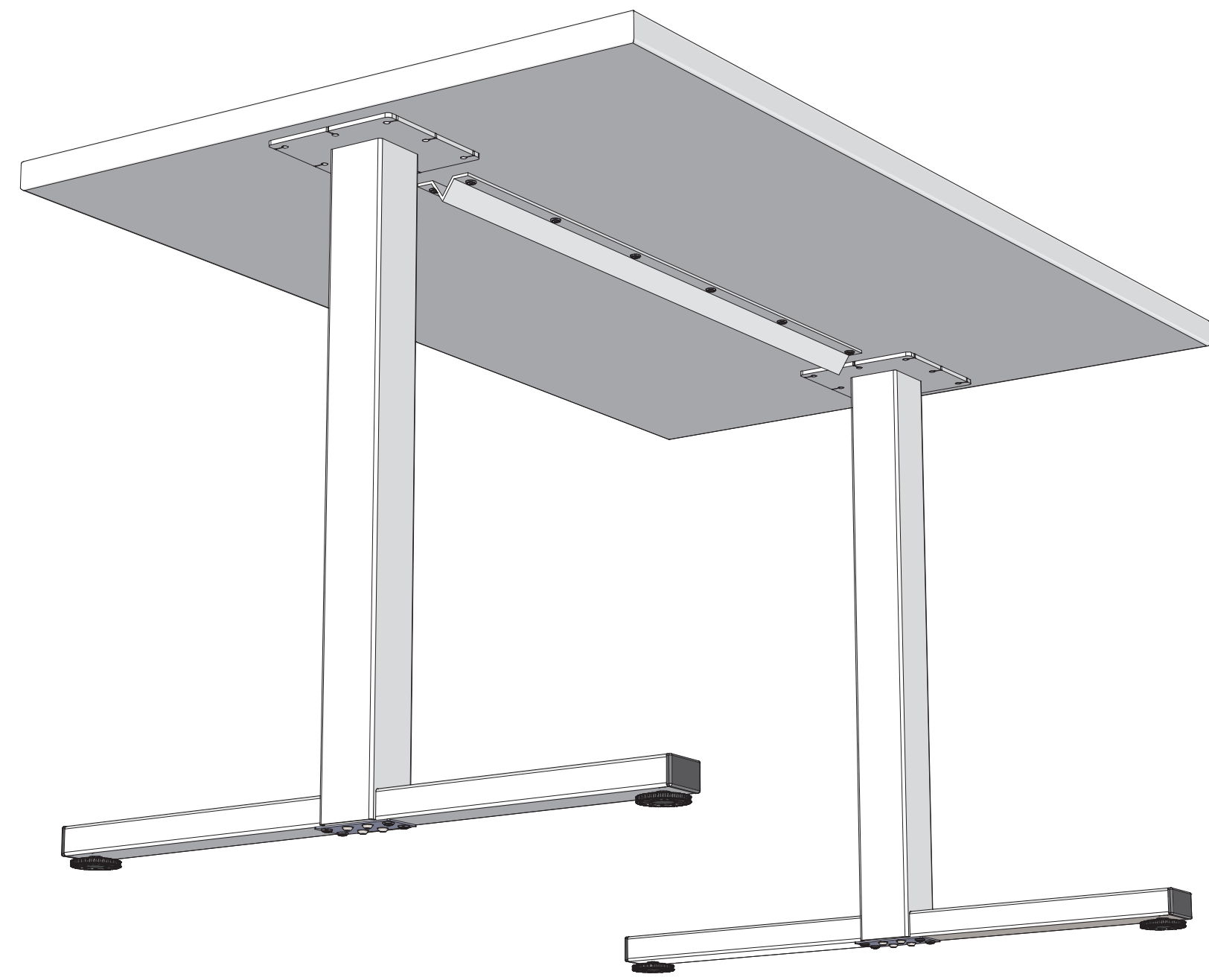
**NOTES:**

- TO DETERMINE IF THE SUPPORT BAR WILL FIT, LOCATE THE DIMENSIONS OF THE MOUNTING PLATES BEING MOUNTED TO THE SURFACE THEN DEDUCT IT FROM THE OVERALL SURFACE WIDTH TO FIGURE OUT HOW MUCH ROOM YOU HAVE LEFT.





# LOW PROFILE SUPPORT CHANNEL



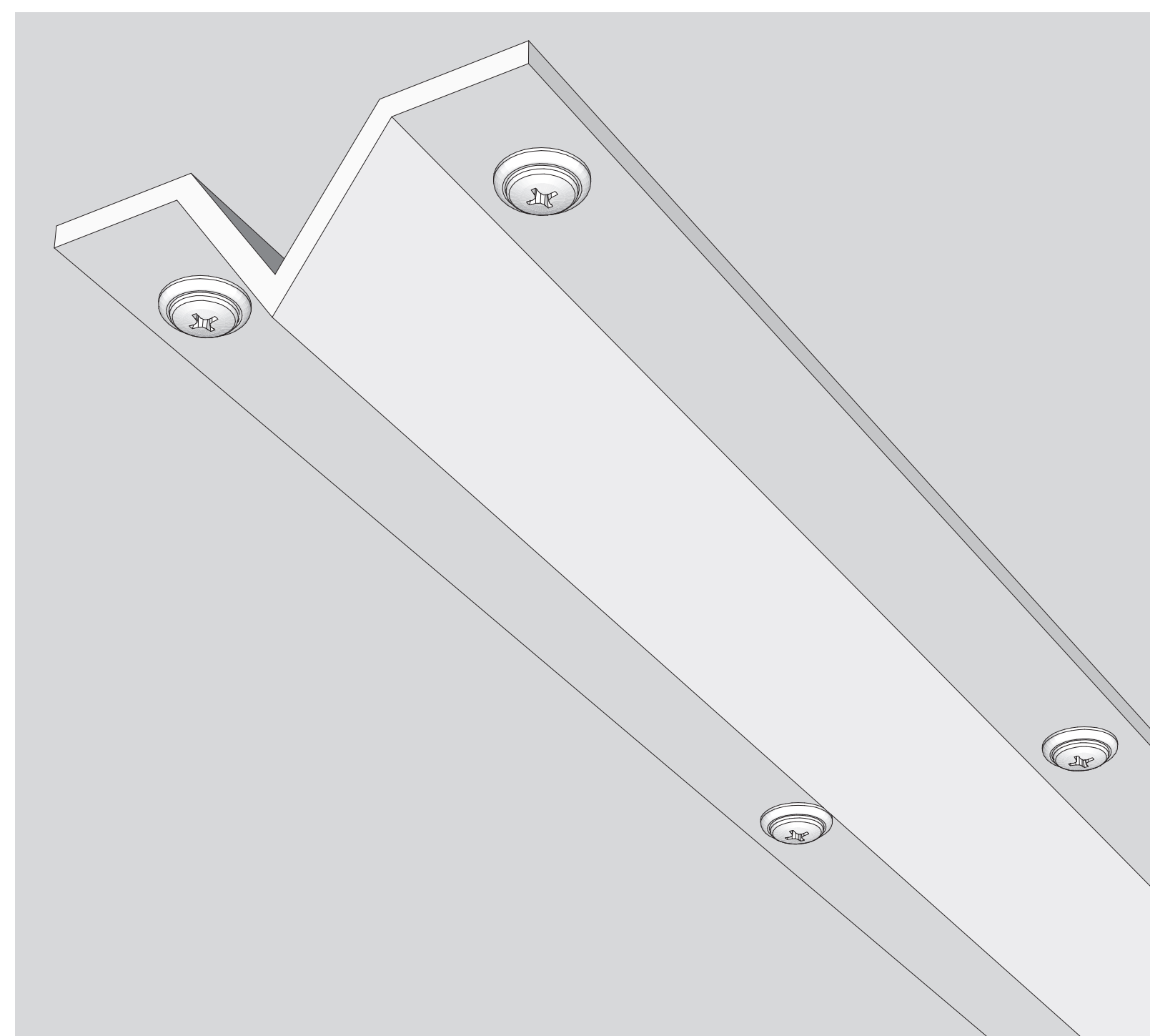
**FEATURES:**

- MOUNTING HARDWARE INCLUDED

**TO ORDER, SPECIFY:**

- PART NUMBER

LENGTH	DESCRIPTION	PART NUMBER	LIST PRICE
31"	31" WORKSURFACE SUPPORT CHANNEL (SHOWN ABOVE ON 48" TOP)	TT-SPRT-31	\$120
49"	49" WORKSURFACE SUPPORT CHANNEL	TT-SPRT-49	\$135
61"	61" WORKSURFACE SUPPORT CHANNEL	TT-SPRT-61	\$175

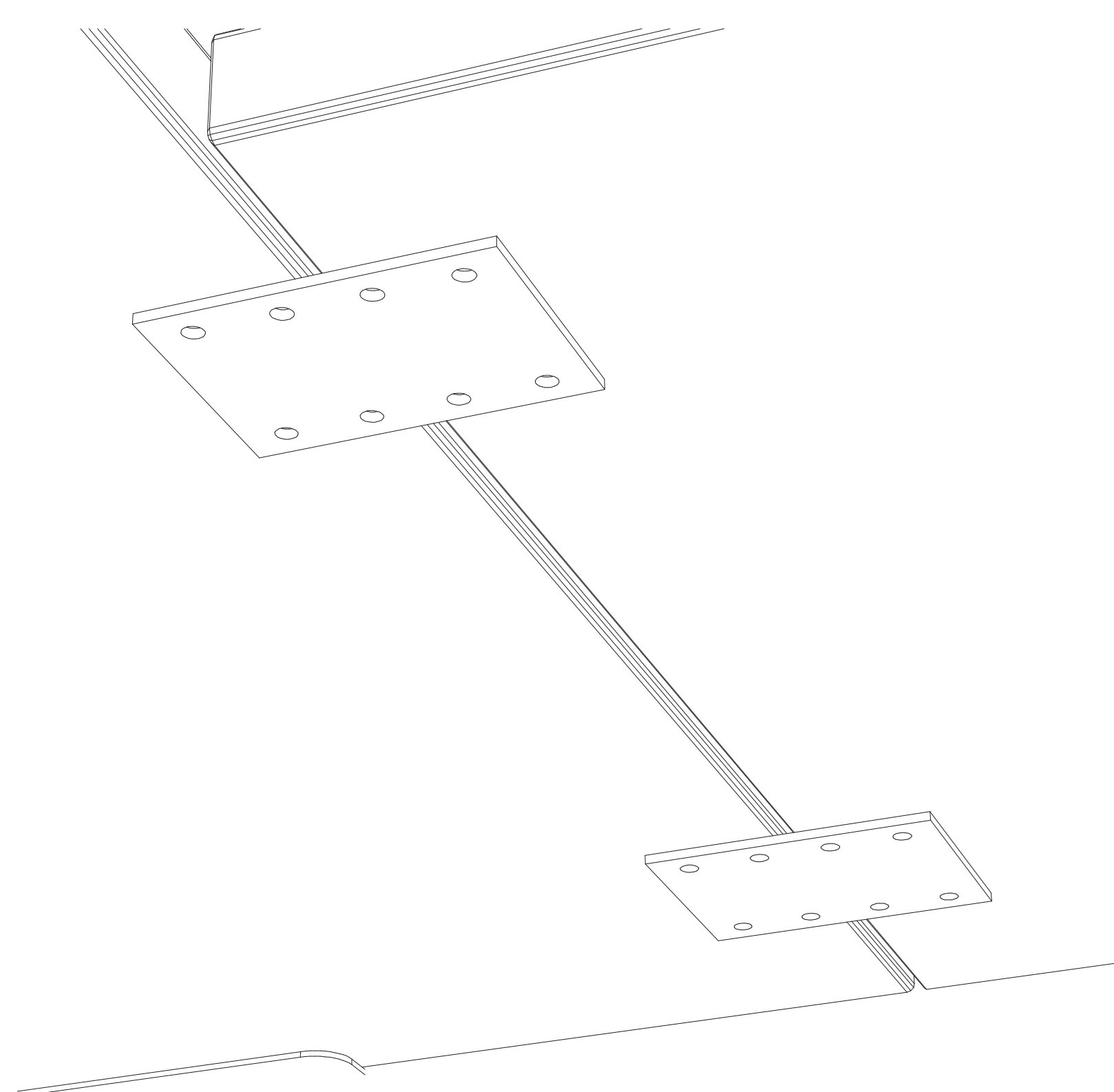


**NOTES:**

- TO DETERMINE IF THE SUPPORT BAR WILL FIT, LOCATE THE DIMENSIONS OF THE MOUNTING PLATES BEING MOUNTED TO THE SURFACE THEN DEDUCT IT FROM THE OVERALL SURFACE WIDTH TO FIGURE OUT HOW MUCH ROOM YOU HAVE LEFT.



# FLUSH MOUNT SUPPORT KIT



**FEATURES:**

- 2QTY BRACKETS INCLUDED IN KIT

**NOTES:**

- DOES NOT GET PAINTED

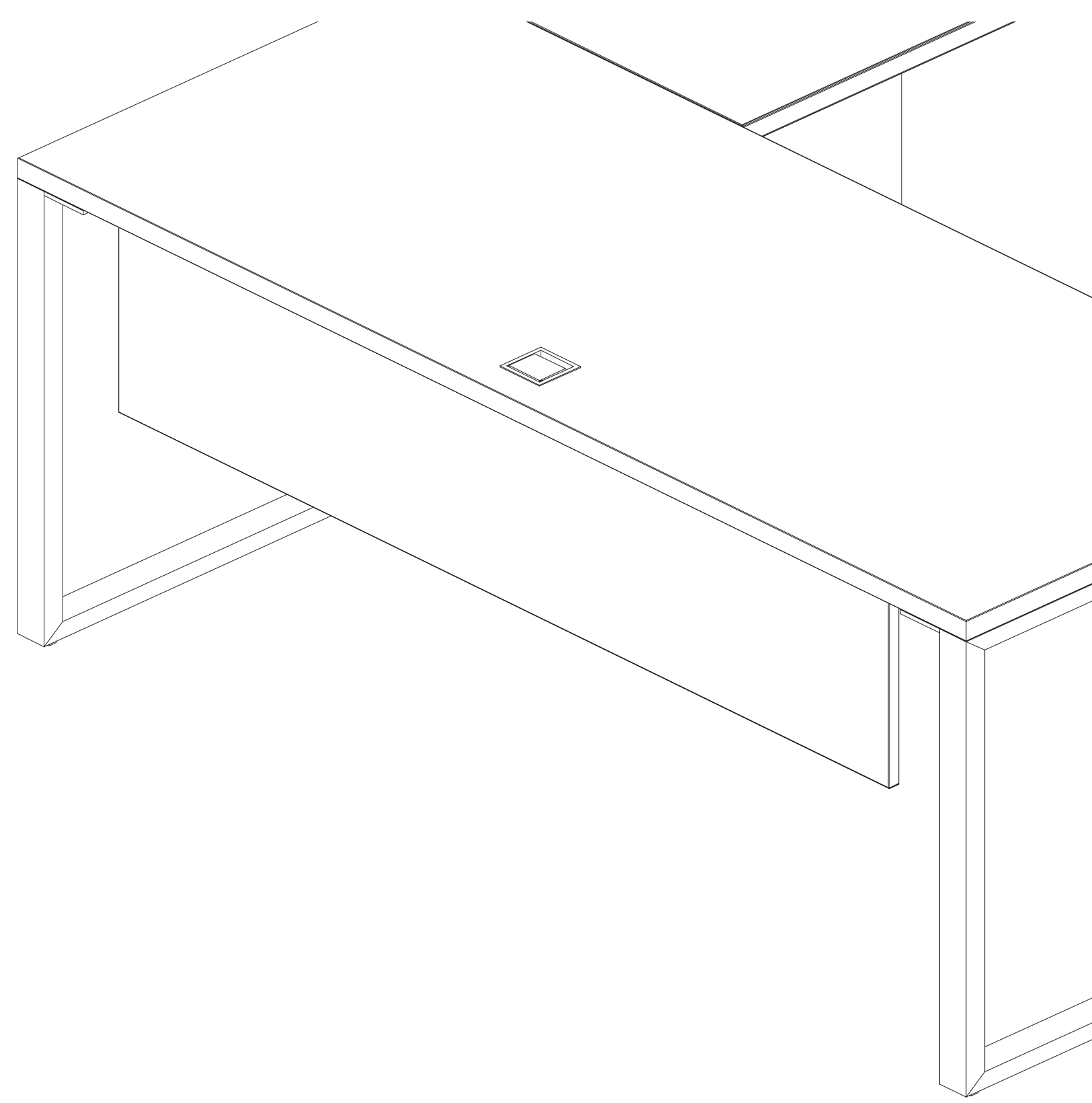
**TO ORDER, SPECIFY:**

- PART NUMBER

DESCRIPTION	PART NUMBER	LIST PRICE
STEEL PLATES TO CONNECT TWO ADJOINING SURFACES TOGETHER	EC-FMK-1	\$37



# HANGING LAMINATE MODESTY PANEL



**FEATURES:**

- 3mm EDGE
- MOUNTING BRACKETS INCLUDED

**TO ORDER, SPECIFY:**

- PART NUMBER / SIZE
- LAMINATE COLOR

WIDTH	HEIGHT	PART NUMBER	LIST PRICE
46.5"	12"	ECSQ-MP-DL-4829	\$357
58.5"	12" (SHOWN ABOVE)	ECSQ-MP-DL-6029	\$405
70.5"	12"	ECSQ-MP-DL-7229	\$457



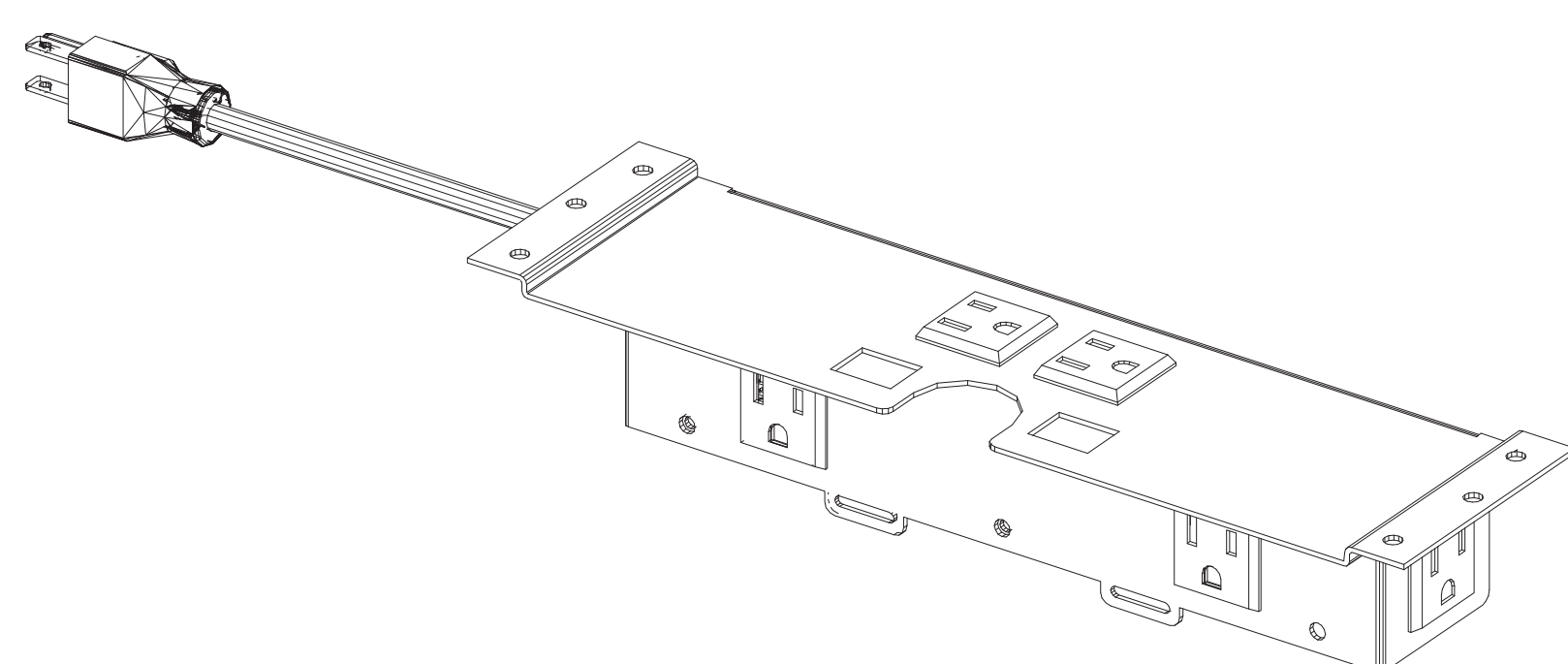
# DESKTOP POWER

**FEATURES:**

- 72" POWER CORD
- DATA KNOCKOUTS

**TO ORDER, SPECIFY:**

- PART NUMBER

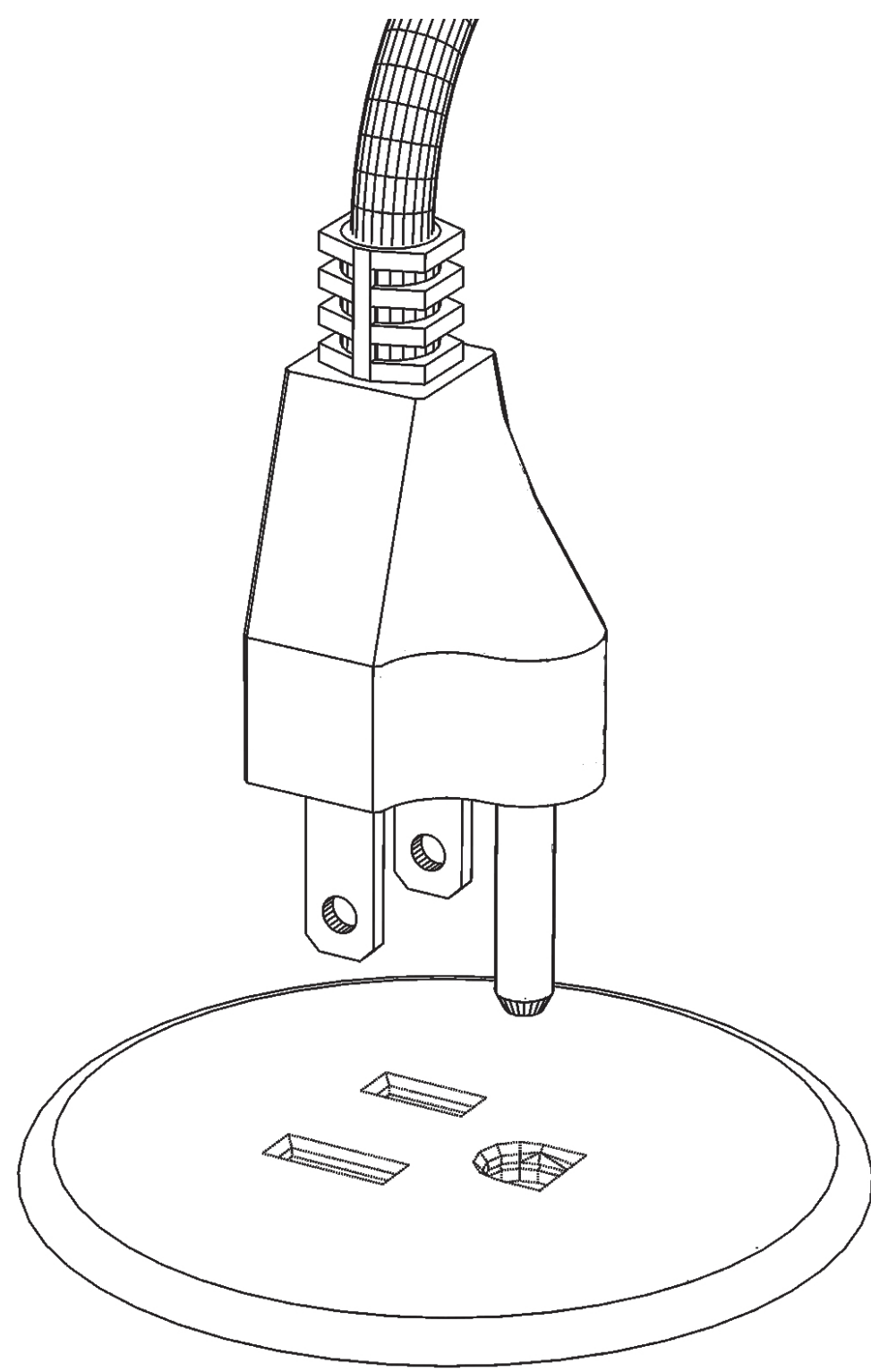


DESCRIPTION	PART NUMBER	LIST PRICE
BLACK DESKTOP POWER MODULE WITH 2QTY POWER AND 2QTY DATA KNOCKOUTS	TT-PWR-VIL-2	\$360
BLACK DESKTOP POWER MODULE WITH 5QTY POWER AND 2QTY DATA KNOCKOUTS <b>(SHOWN ABOVE)</b>	TT-PWR-VIL-5	\$460

**NOTES:**

- USE WITH WSG-2 GROMMETS ONLY. SEE 36-37 TO SEE COMPATIBLE SURFACES
- SEE PAGE-41 TO SEE GROMMET
- ONLY AVAILABLE IN BLACK





**FEATURES:**

- 72" POWER CORD
- MOUNTS FLUSH WITH THE TOP OF THE SURFACE
- FITS INTO OUR ROUND GROMMET CUTOUT
- MULTIPLE COLORS AVAILABLE. SEE LIST BELOW
- EASY INSTALL

**TO ORDER, SPECIFY:**

- PART NUMBER
- COLOR

DESCRIPTION	PART NUMBER	LIST PRICE
DESKTOP POWER MODULE WITH 1QTY POWER (SEE FIGURE:1 BELOW)	TT-PWR-WSG1-1	\$150
DESKTOP POWER MODULE WITH 2QTY USB PORTS (SEE FIGURE:2 BELOW)	TT-PWR-WSG1-2	\$335

**AVAILABLE COLORS:**

- BLACK
- WHITE
- GREY
- LIGHT BLUE
- LIGHT GREEN
- SULFUR YELLOW
- PURE ORANGE
- SIGNAL RED

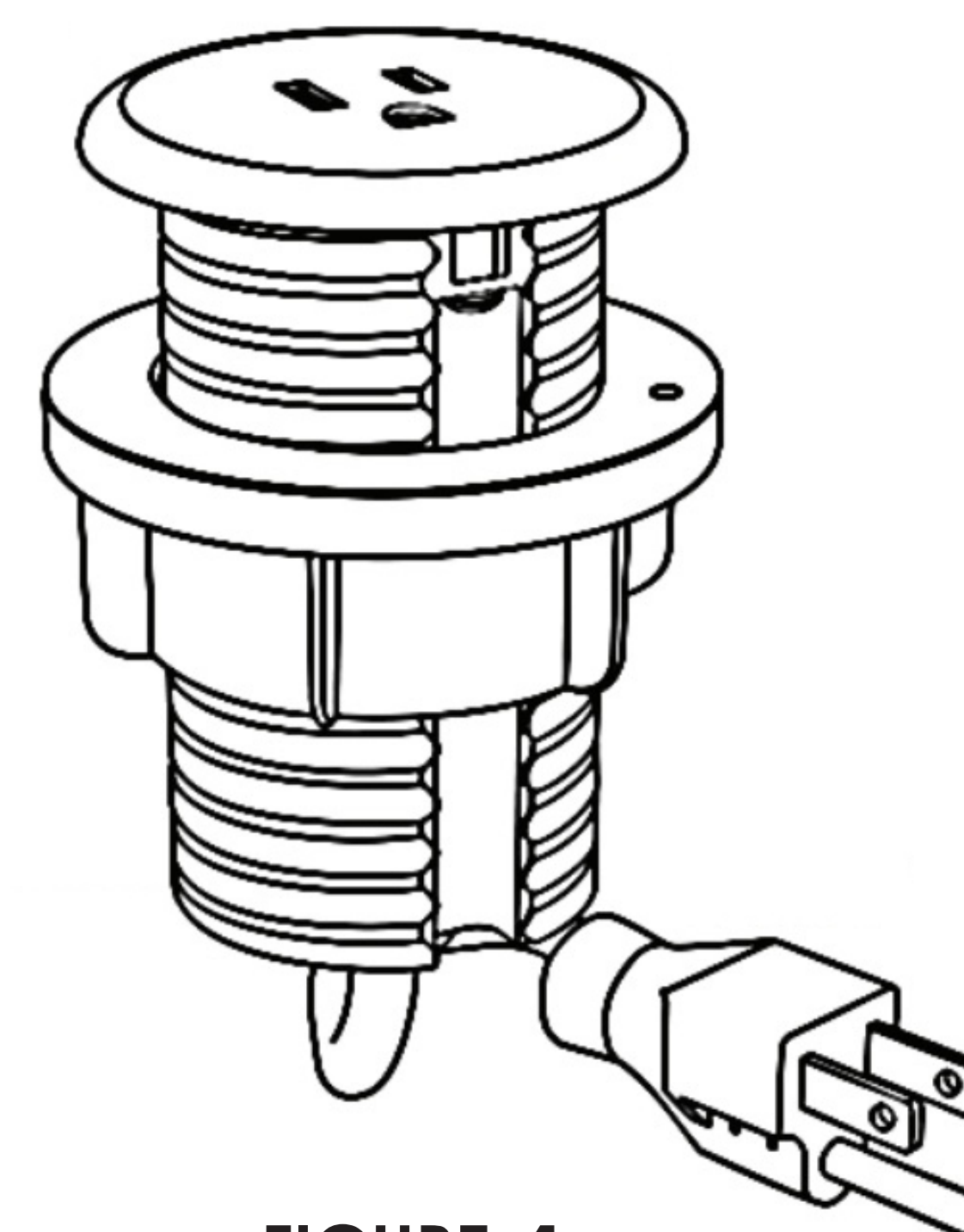


FIGURE: 1

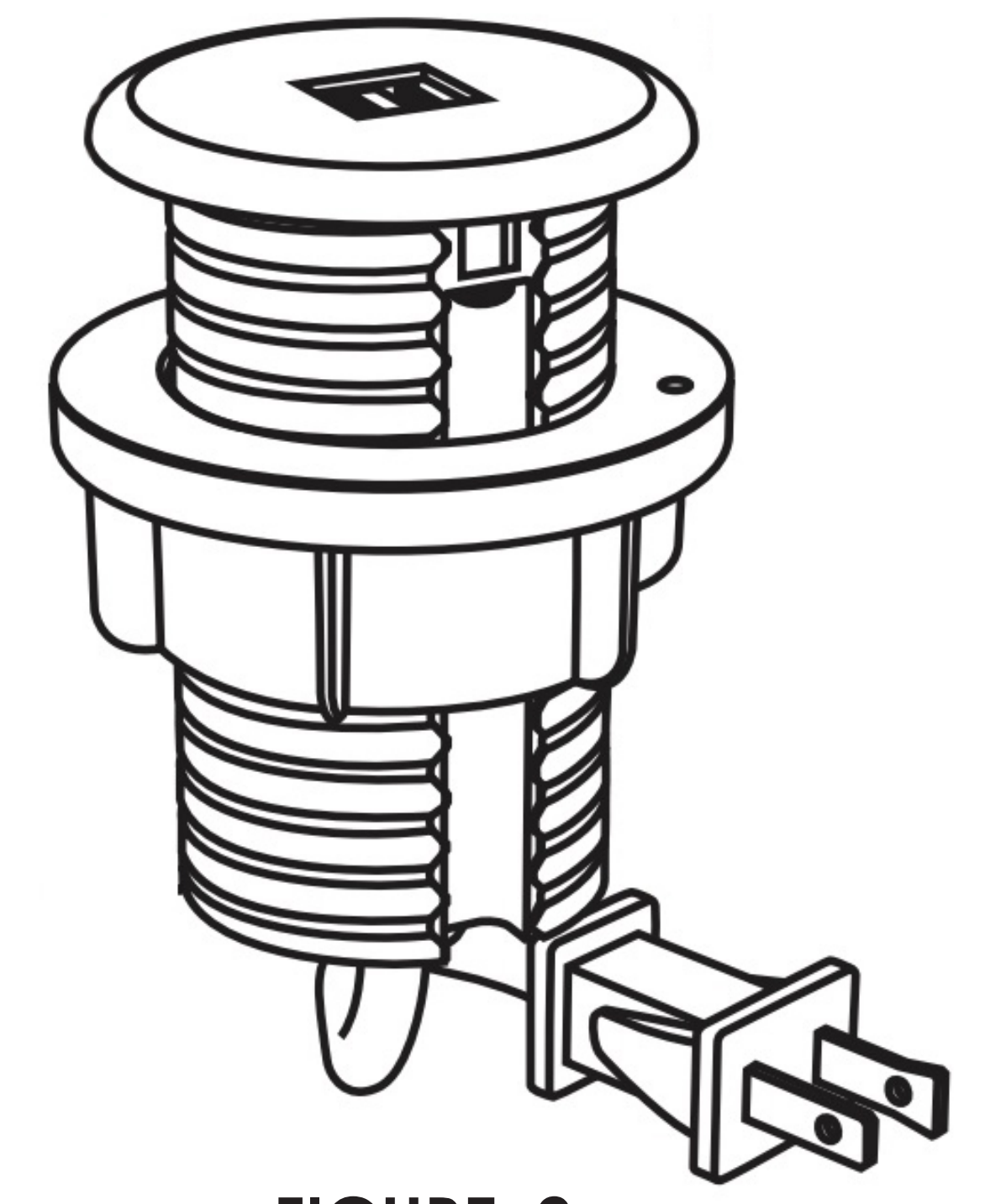


FIGURE: 2

**NOTES:**

- USE WITH WSG-1 GROMMETS ONLY. SEE 34-35 / 38-39 TO SEE COMPATIBLE SURFACES
- SEE PAGE-41 TO SEE GROMMET



# TERMS & CONDITIONS

---

**COMMON CARRIER SHIPMENT:** ALL PRODUCTS ARE SOLD FROM OUR CHANDLER, AZ LOCATION. WE WILL ARRANGE FREIGHT IF THE BUYER DOES NOT HAVE A DISCOUNT SCHEDULE WITH A PREFERRED FREIGHT COMPANY. WE WILL PREPAY THE FREIGHT AND BILL THE BUYER ACCORDING TO OUR STANDARD FREIGHT POLICY (**SEE RSI FREIGHT POLICY ON PAGE-2**).

**EXCLUSIVE SHIPPING PROCEDURES:** THE ARRIVAL TIME FOR ANY SHIPMENT SENT VIA EXCLUSIVE CARRIER WILL BE GUARANTEED TO WITHIN A ONE-HOUR WINDOW OF THE REQUESTED TIME. NEITHER RSI NOR THE CARRIER WILL BE HELD RESPONSIBLE FOR TRUCKS THAT ARE DELAYED DUE TO ACTS OF PUBLIC AUTHORITY, MECHANICAL DIFFICULTIES, ILLNESS OR INCAPACITATION, WEATHER RELATED DELAYS, TRAFFIC ACCIDENT OR ROAD CONDITIONS CAUSING EXTRAORDINARY TRAFFIC DELAYS. EXCLUSIVE TRUCKS MUST BE UNLOADED WITHIN TWO HOURS OF ARRIVAL OR FREIGHT WAITING CHARGES MAY BE ASSESSED.

**INSPECTION:** (A) BUYER IS RESPONSIBLE TO HAVE QUALIFIED PERSONNEL AVAILABLE TO RECEIVE AND INSPECT THE GOODS. (B) ANY DAMAGE IN TRANSIT MUST BE NOTED ON THE BILL OF LADING TO ENABLE FILING AND COLLECTION OF CLAIM FROM THE CARRIER. FAILURE TO NOTE SHIPPING DAMAGE WILL RESULT IN THE DENIAL OF COMPENSATION BY THE CARRIER AND WILL BE THE RESPONSIBILITY OF THE BUYER TO PAY FOR REPLACEMENT GOODS. IT IS THE BUYER'S RESPONSIBILITY TO FILE ANY AND ALL DAMAGE/SHORTAGE CLAIMS WITH THE FREIGHT CARRIER; HOWEVER RSI WILL BE HAPPY TO ASSIST THE BUYER IN THIS PROCESS. (C) SHORTAGES MUST BE REPORTED TO RSI WITHIN 48 HOURS OF RECEIPT OF SHIPMENT OR THE BUYER WILL BE RESPONSIBLE FOR PAYMENT FOR REPLACEMENT GOODS.

**ORDER CHANGES AND CANCELLATIONS:** ANY CHANGES/CANCELLATIONS PRIOR TO FINAL PRODUCTION OF ORDER MUST BE SUBMITTED FOR APPROVAL. IF APPROVED, BUYER WILL BE HELD RESPONSIBLE FOR ALL LABOR AND MATERIAL COSTS INCURRED PRIOR TO THE CHANGE AND/OR CANCELLATION. CHANGES OR CANCELLATIONS AFTER FINAL PRODUCTION OF THE ORDER BUT PRIOR TO SHIPMENT FALL UNDER THE "RETURNS" SECTION BELOW. THERE IS NO FINANCIAL PENALTY FOR ADDITIONS TO ORDERS; HOWEVER, ANY CHANGE MAY CAUSE THE ORDER TO BE RESCHEDULED AND MAY EFFECT LEAD TIME.

**TERMS:** NEW BUYERS WILL BE REQUIRED TO ACCOMPANY ORDERS WITH A 50% DEPOSIT. IN ADDITION, ALL ORDERS IN EXCESS OF \$10,000 WILL REQUIRE A 50% DEPOSIT AND ORDERS FROM EXISTING BUYERS WHICH CAUSE THAT BUYER TO EXCEED THEIR CREDIT LIMIT WILL REQUIRE A DEPOSIT EQUAL TO THE AMOUNT BY WHICH THE NEW ORDER CAUSES THE BUYER'S BALANCE TO EXCEED THEIR CREDIT LIMIT. NO MATERIAL WILL BE ORDERED OR WORK PERFORMED ON AN ORDER UNTIL A WRITTEN PURCHASE ORDER AND THE REQUIRED DEPOSIT HAVE BEEN RECEIVED. THE INVOICE AMOUNT LESS ANY DEPOSIT IS DUE 30 DAYS FROM DATE OF INVOICE UNLESS OTHERWISE SPECIFIED. SALES WILL BE INVOICED UPON COMPLETION OF PRODUCTION. DELIVERY DELAYS REQUESTED BY THE BUYER WILL NOT ALTER THE 30-DAY PAYMENT TERMS.

**PRICING:** PRICES QUOTED WILL BE VALID FOR 30 DAYS FROM THE DATE OF QUOTATION.

**FINANCING:** FINANCE CHARGES WILL BE ASSESSED ON ALL ACCOUNT BALANCES OVER THIRTY (30) DAYS PAST THE DATE OF INVOICE AT A RATE OF 1-1/2% PER MONTH (18% PER ANNUM). RSI RESERVES THE RIGHT TO PROCEED WITH LEGAL ACTION OR TURN THE ACCOUNT OVER TO AN AGENCY FOR COLLECTION ON ANY ACCOUNT BALANCE PAST 60 DAYS FROM THE DATE OF INVOICE. WE WILL GIVE THE BUYER NOTICE PRIOR TO THIS ACTION SO THE BUYER MAY AVOID PAYING ANY LEGAL, COLLECTION OR HANDLING COSTS INCURRED IN RECOVERING THE MERCHANDISE OR COLLECTION OF THE DEBT (BUYER AGREES TO PAY ALL THESE COLLECTION COSTS INCLUDING REASONABLE ATTORNEY FEES).

**RETURNS:** ALL PRODUCTS ARE CUSTOM MANUFACTURED FOR THE BUYER. THE COMPANY MAINTAINS NO FINISHED GOODS INVENTORY. RETURN SHIPMENTS ARE NOT ACCEPTED UNLESS SPECIFICALLY AUTHORIZED BY THE COMPANY ON A RETURNED GOODS AUTHORIZATION FORM. IF THE COMPANY APPROVES A PRODUCT RETURN AND BUYER RETURNS THE GOODS AT ITS EXPENSE, BUYER WILL RECEIVE A CREDIT RANGING FROM 10% - 40% OF THE ORIGINAL SALE AMOUNT DEPENDENT UPON THE ITEMS RETURNED. MERCHANDISE MUST BE RECEIVED IN NEW CONDITION. NO CREDIT WILL BE ISSUED FOR DAMAGED PRODUCTS. ALL RETURNS MUST BE MADE WITHIN 30 DAYS AFTER RETURN AUTHORIZATION IS ISSUED.

**RSI WARRANTY:** PRODUCT IS WARRANTIED FOR MATERIAL AND WORKMANSHIP FOR LIFETIME TO ORIGINAL PURCHASE FOR ANY DEFECTS IN WORKMANSHIP AND/OR MATERIALS. THE PRODUCT MUST NOT EXCEED THE SUPPORT AND LOAD LIMITS GUIDELINES AS OUTLINED BELOW. UL ELECTRICAL GUIDELINES FOR APPLICATION OF POWERED PANELS MUST BE STRICTLY ADHERED TO. WE RESERVE THE RIGHT TO INSPECT THE INSTALLATION AND PERFORM ANY OR ALL LABOR WARRANTY WORK. PRODUCT MISUSE, ABUSE, OR FAILURE TO ADHERE TO THE GUIDELINES OUTLINED WILL VOID ALL WARRANTIES IMPLIED OR EXPRESSED.

**OTHER PRODUCT WARRANTY:** ALL OTHER MANUFACTURERS' WILL BE WARRANTIED BASED ON THE MANUFACTURERS WARRANTIES.

**NOTE:**

**FURNITURE PERFORMANCE:** PROPER USE AND LOADING OF THE FURNITURE IS REQUIRED FOR MAXIMUM PERFORMANCE AND LIFESPAN. ALL STORAGE ITEMS HAVE LOAD WEIGHT CAPACITIES. LOAD CAPACITIES AND PROPER LOADING TECHNIQUES ARE PROVIDED BELOW. STANDING OR SITTING ON WORKSURFACES WILL GENERALLY EXCEED LOAD CAPACITY. DAMAGE CAUSED AS A RESULT OF SITTING OR STANDING ON THE FURNITURE WILL NOT BE COVERED UNDER WARRANTY.

**ELECTRICAL:** THE ELECTRICAL SYSTEM IS AN 8-WIRE 3-CIRCUIT SYSTEM. PROVIDED THAT THE BUILDING ELECTRICAL DISTRIBUTING 3 SEPARATE CIRCUITS TO EACH JUNCTION INTO THE PANEL SYSTEM, THE TOTAL AMPERAGE AVAILABLE PER JUNCTION WILL BE 60 AMPS (20 AMPS PER CIRCUIT). THE NATIONAL ELECTRICAL CODE (NEC) REQUIRES THAT CIRCUIT CAPACITY BE REDUCED BY 20%. THEREFORE, TREAT CIRCUITS USED FOR CONTINUOUS LOADS AS IF THEY WERE RATED AT 16 AMPS FOR ECHO SYSTEMS PRODUCT. THE MAXIMUM NUMBER OF DUPLEX RECEPTACLES PER CIRCUIT IS NOT TO EXCEED EIGHT. BALANCED AMPERAGE LOADING (INDIVIDUAL CIRCUITS MUST HAVE POWER DRAW WITHIN 15% OF THE DRAW OF THE OTHER TWO CIRCUITS) IS ESSENTIAL. APPLIANCES, SUCH AS LARGE COPIERS, COFFEE MACHINES, SPACE HEATERS, MICROWAVES, AND SOME PRINTERS REQUIRE MOST OF THE CURRENT AVAILABLE ON A 20 AMP CIRCUIT. THIS LEAVES THE CAPACITY OF THE FURNITURE CIRCUITS AVAILABLE FOR MORE DYNAMIC REQUIREMENTS OF THE OFFICE EQUIPMENT AND ELIMINATES THE POTENTIAL FOR CIRCUIT OVERLOAD AND POWER SHUT DOWN. SPECIFICATIONS FOR HARDWIRING JUNCTIONS WILL BE PROVIDED TO THE BUYER OR ELECTRICIAN UPON REQUEST. ANY ELECTRICAL CONNECTIONS NOT WITHIN THE SPECIFICATIONS CAN AFFECT THE PERFORMANCE OF THE ELECTRICAL SYSTEMS AND POSSIBLY VOID THE WARRANTY.





