

WARNING:

- FABRIC AND GLASS ADD-ON FRAMES MUST BE INSTALLED PRIOR TO CONNECTING PANELS AND POSTS TOGETHER. SEE PAGE-8

RSI Systems Furniture
235 S. 56th St.
Chandler, AZ 85226

Phone: 800-280-5000
Email: customerservice@resy.net

TOOLS	4
HARDWARE	5
PARTS DIAGRAM	6-7
ADD-ON FRAME	8
GLASS ADD-ON	9
PANEL TO POST	10
PANEL-TO-PANEL	11
END TRIM	12
WALL MOUNT	13
POWER BLOCK	14
DUPLEX	15
JUMPER	16
DATA PLATE	17
BASE FEED	18-19
TOP FEED	20-21
TILES	22
TOP CAPS	23
SUPPORT BRACKETS	24
SUPPORTING PEDESTALS	24
SUPPORT LEG	25
FRAMELESS GLASS	26
LOW SHELF	27
FULL-HEIGHT SHELF	28
FULL-HEIGHT SHELF W/ FLIPPER DOOR	29
PLASTIC TILE TRIM	30
WIRE CHANNEL	31

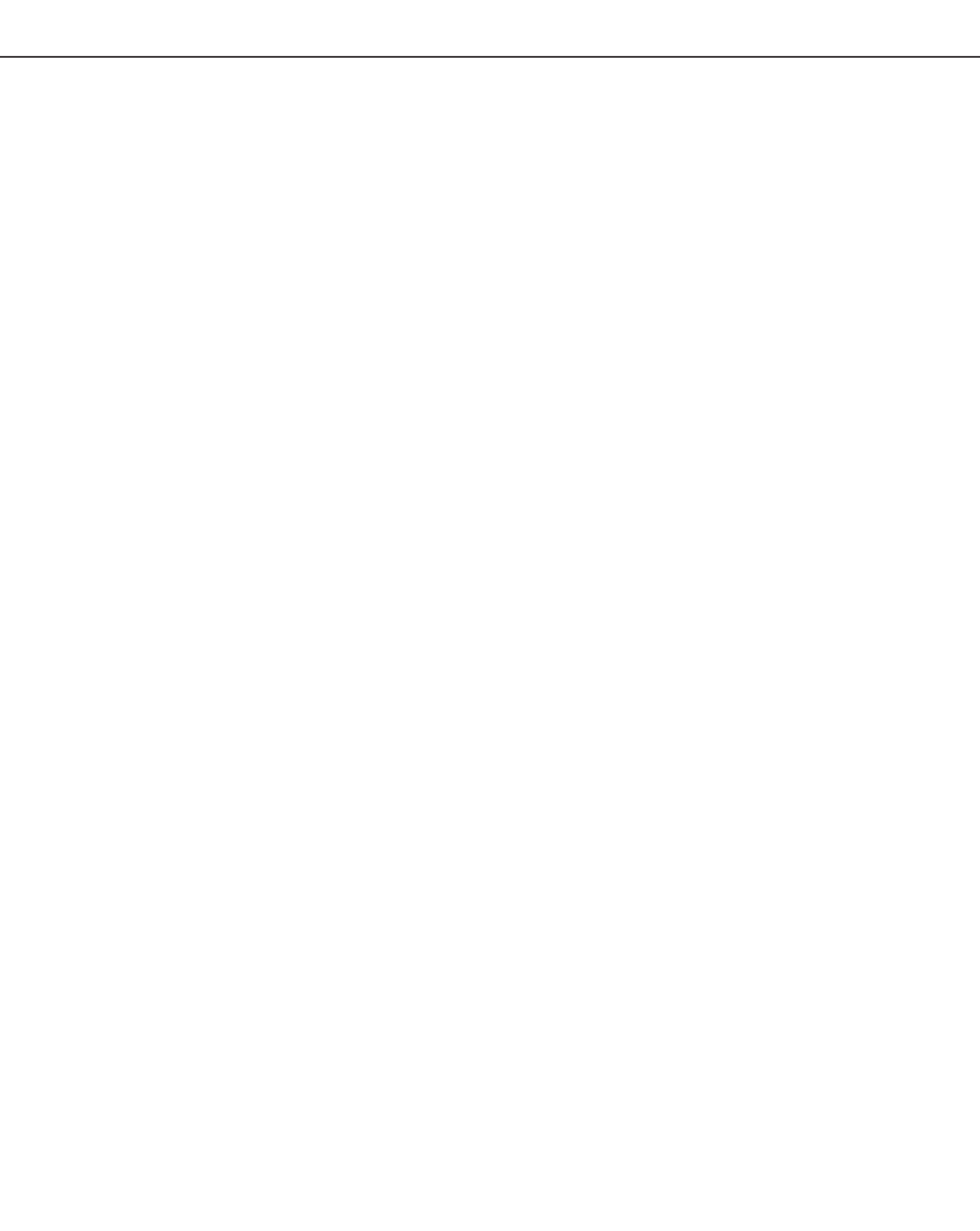
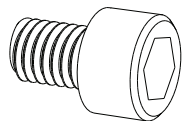
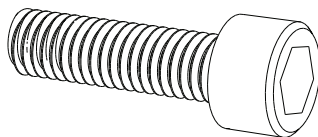


FIG: 5.01



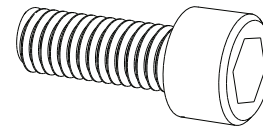
PART: PX3-SCREW-M6-S-6
 SIZE: M6 x 6mm SOCKET SCREW
 DESC: X3 ADD-ON FRAME SCREW

FIG: 5.02



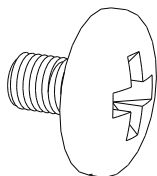
PART: PX3-SCREW-M8-S-30
 SIZE: M8 x 30mm SOCKET SCREW
 DESC: X3 PANEL-TO-PANEL SCREW

FIG: 5.03



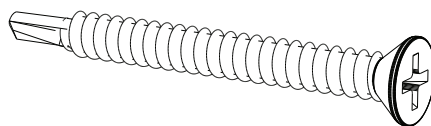
PART: PX31-SCREW-M8-S-20
 SIZE: M8 x 20mm SOCKET SCREW
 DESC: X3 / X31 POST SCREW

FIG: 5.04



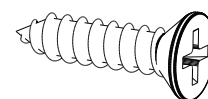
PART: PX3-SCREW-M8-P-12
 SIZE: M8 x 12mm LARGE PHILLIPS SCREW
 DESC: X3 END TRIM SCREW

FIG: 5.05



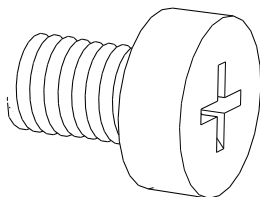
PART: PX-SCREW-10-P-2-SELFTAP
 SIZE: #10 x 2" SELF-TAPPING PHILLIPS
 DESC: FRAMELESS GLASS BRACKET SCREW

FIG: 5.06



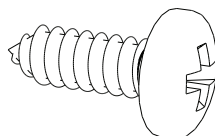
PART: PHW-SCREW-8-P-3/4
 SIZE: #8 x .75" PHILLIPS SCREW
 DESC: MOUNTING BRACKET SCREW

FIG: 5.07



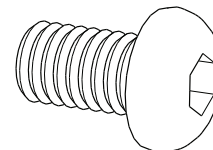
PART: PHW-SE-SCREW
 SIZE: PHILLIPS HEAD SPECIALTY SCREW
 DESC: X3 FULL HEIGHT SHELF END SCREW

FIG: 5.08



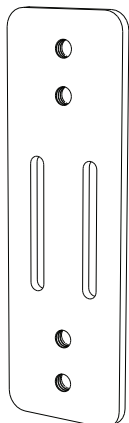
PART: PHW-FD-SCREW
 SIZE: #8 x .625" PHILLIPS SCREW
 DESC: X3 FLIPPER DOOR MOUNTING SCREW

FIG: 5.09



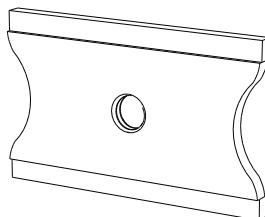
PART: PX3-SCREW-M6-S-12
 SIZE: M6 x 12mm SOCKET SCREW
 DESC: X3 LOW SHELF END SCREW

FIG: 5.10



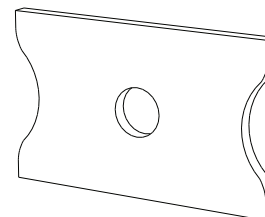
PART: PX3-AO-BRKT
 DESC: ADD-ON FRAME CONNECTING BRACKETS
 SCREW: SEE (FIG: 5.01)

FIG: 5.11

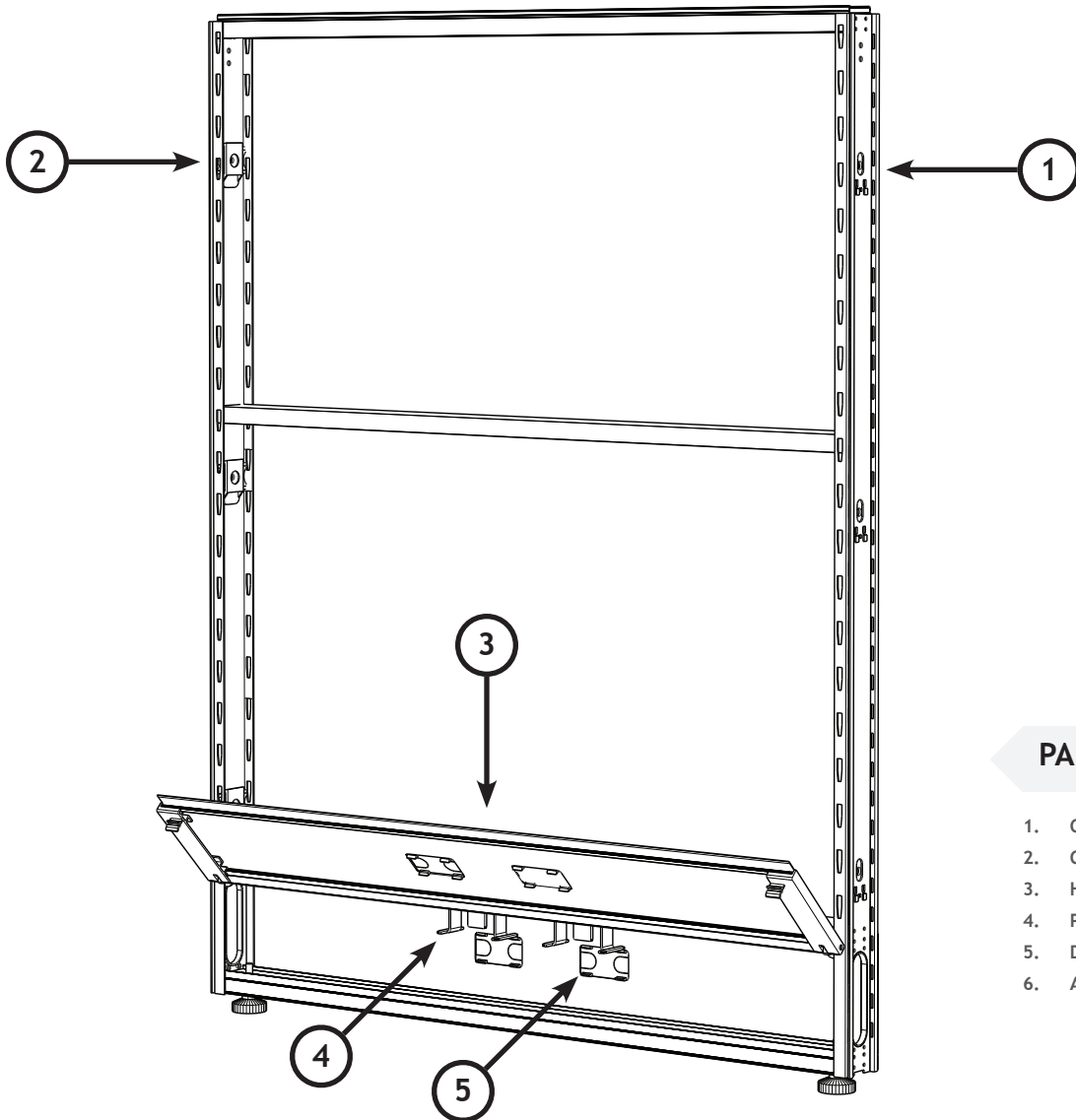
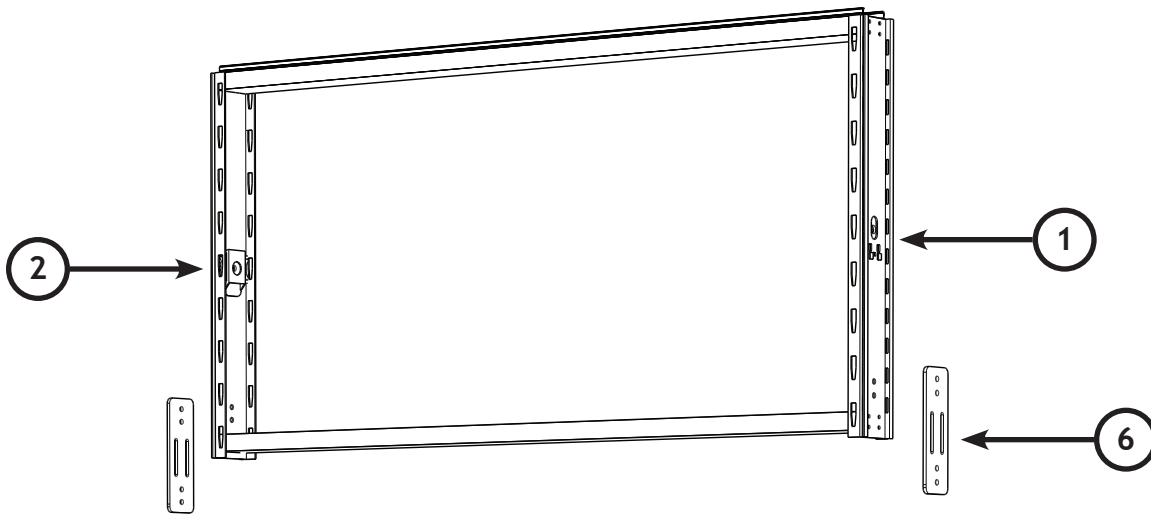


PART: PX3-CON-A
 DESC: CON-A PANEL BRACKET (THREADED)

FIG: 5.12

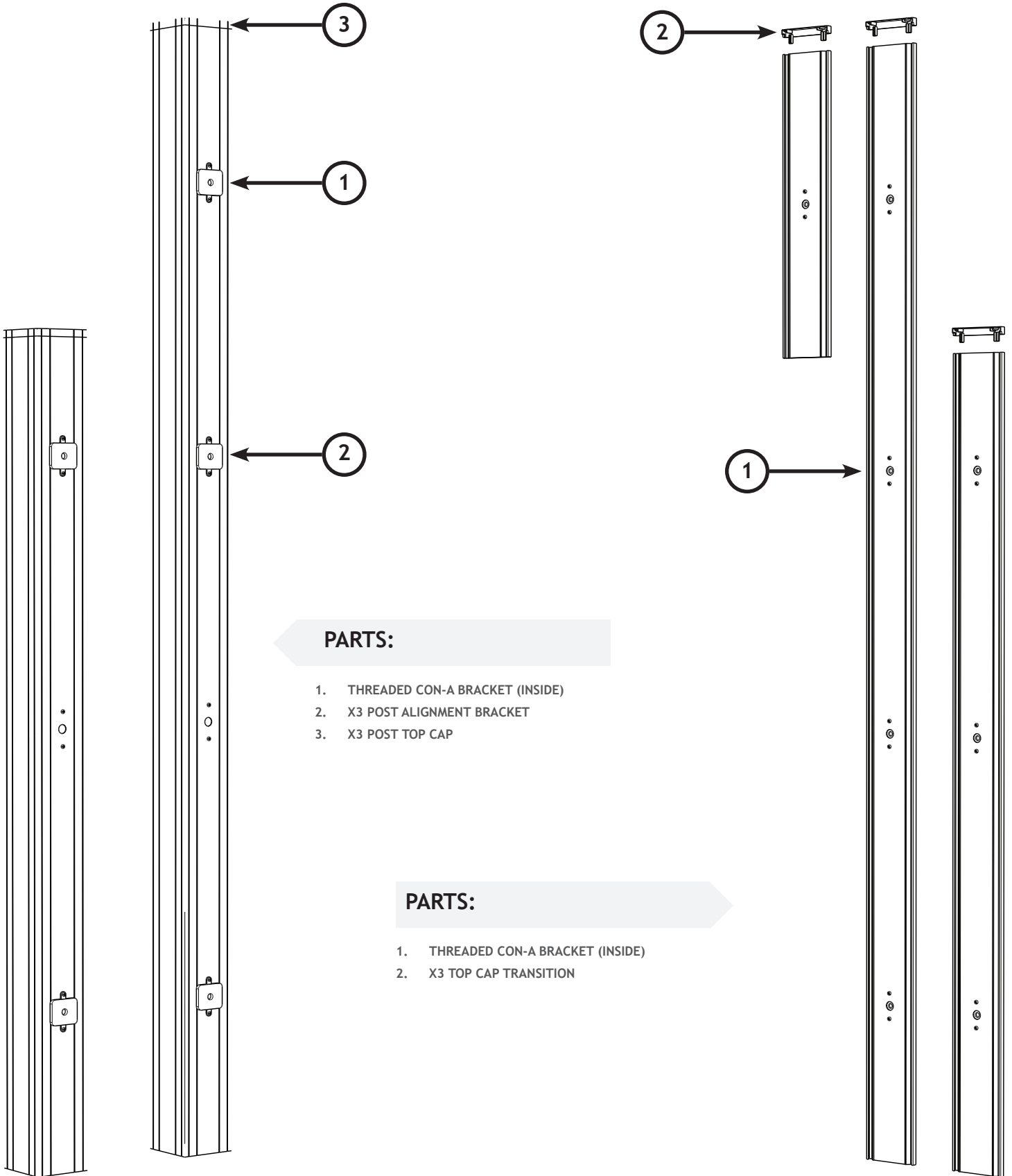


PART: PX3-CON-B
 DESC: CON-B PANEL BRACKET (NON-THREADED)



PARTS:

1. CON-A BRACKET (THREADED)
2. CON-B BRACKET (NON-THREADED)
3. HINGED BASEPLATE
4. POWER BLOCK MOUNTING CLIPS
5. DUPLEX COVERS
6. ADD-ON FRAME BRACKET

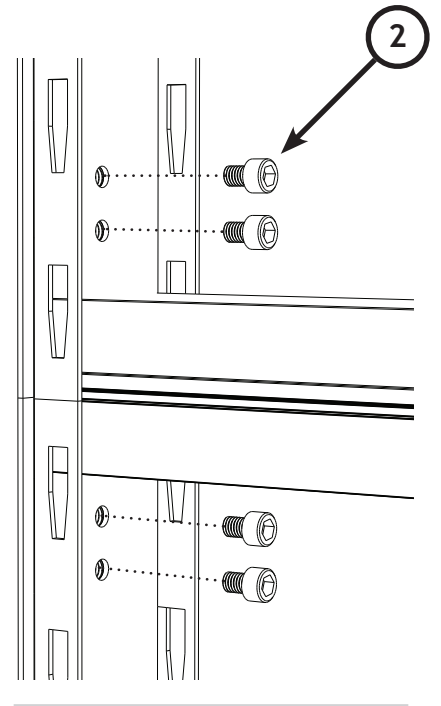
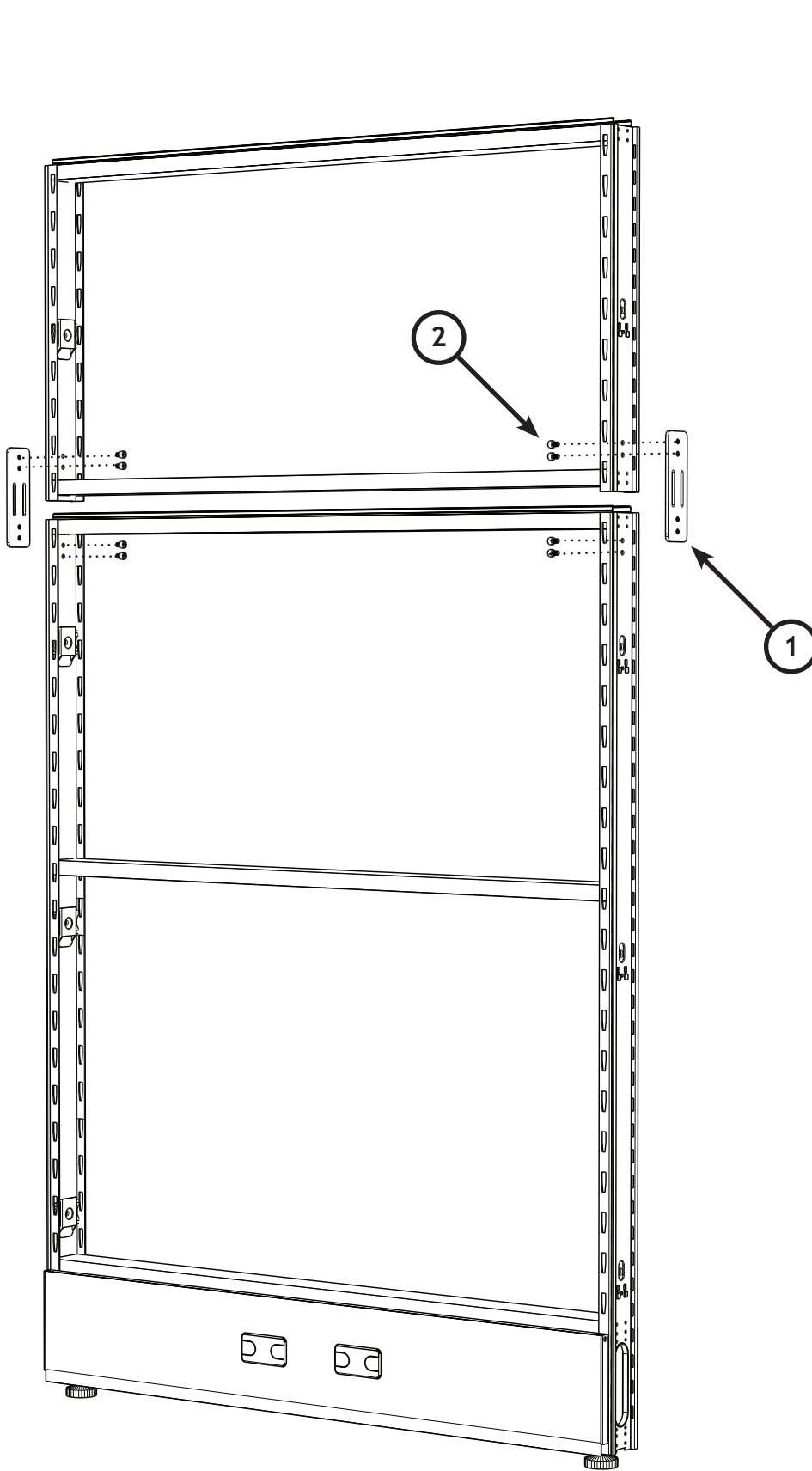


PARTS:

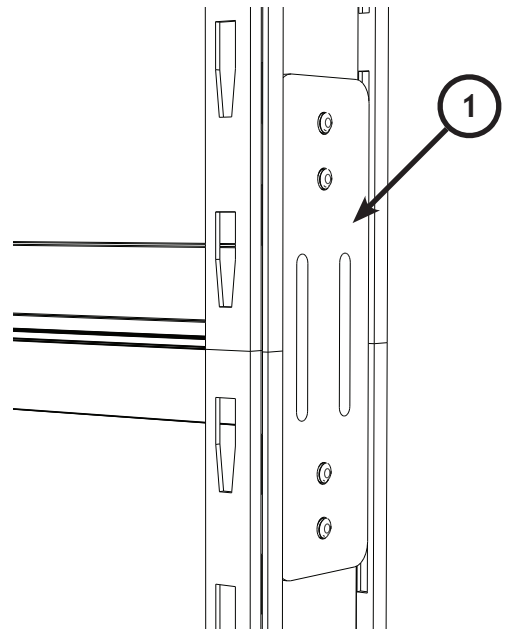
- 1. THREADED CON-A BRACKET (INSIDE)
- 2. X3 POST ALIGNMENT BRACKET
- 3. X3 POST TOP CAP

PARTS:

- 1. THREADED CON-A BRACKET (INSIDE)
- 2. X3 TOP CAP TRANSITION



INSIDE VIEW



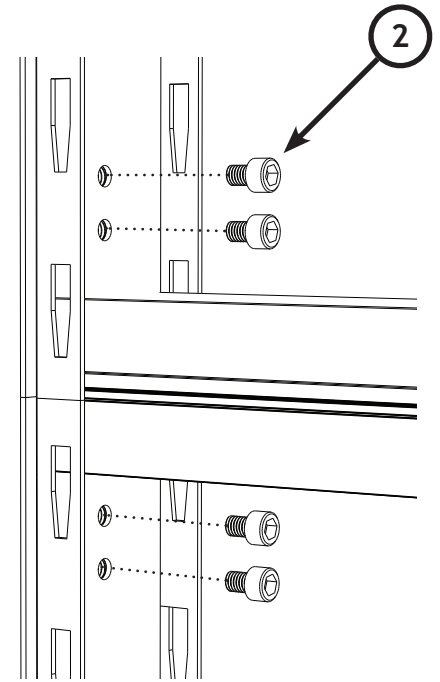
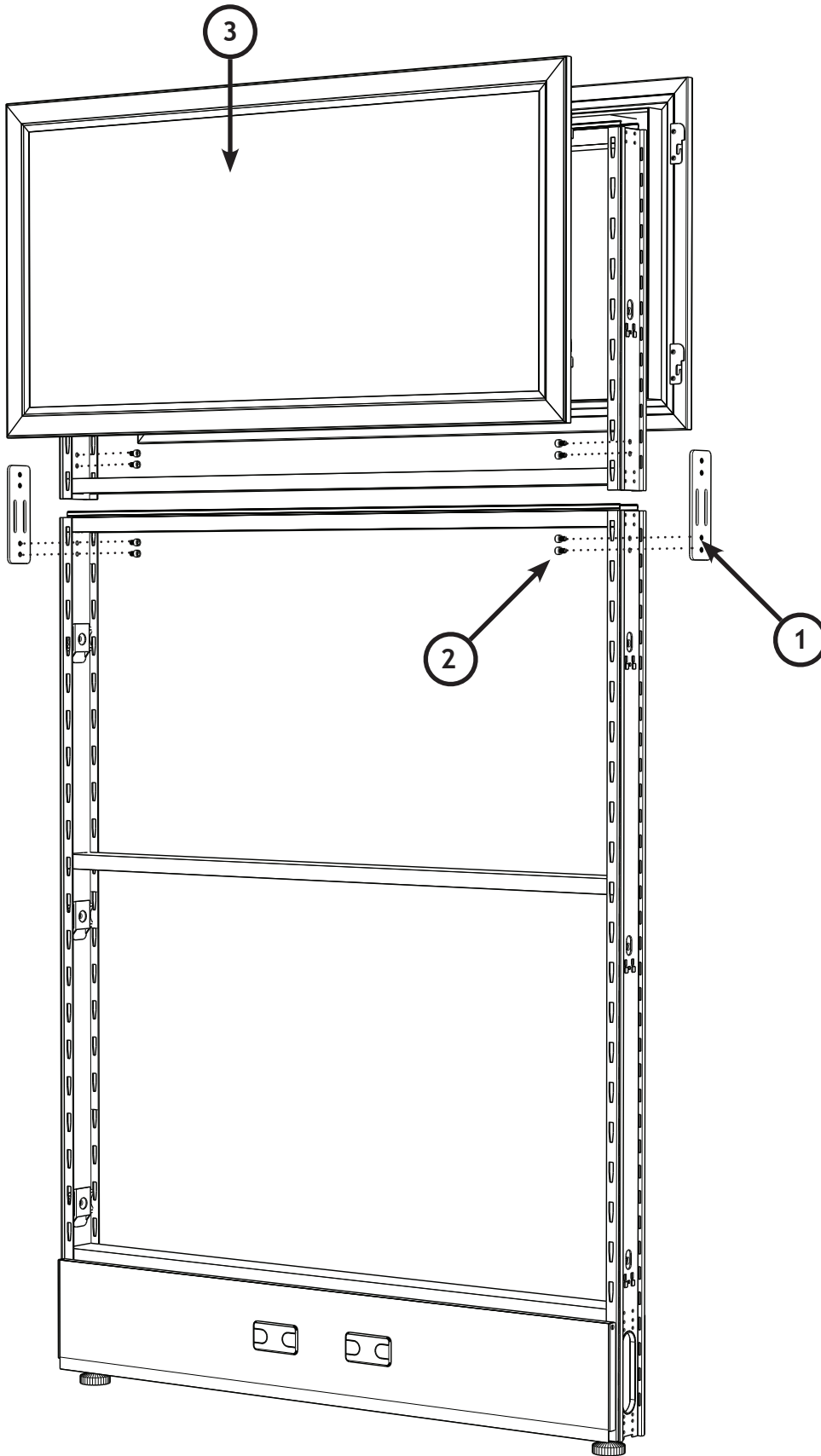
OUTSIDE VIEW

PARTS:

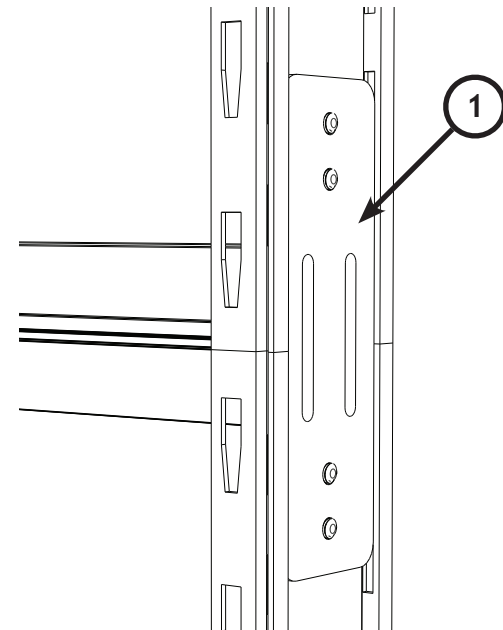
1. X3 ADD-ON BRACKET (FIG: 5.10)
2. M6 x 6mm SOCKET SCREW (FIG: 5.01)

WARNING:

- ADD-ON FRAMES MUST BE INSTALLED PRIOR TO CONNECTING THE PANELS TO ANY OTHER COMPONENTS



INSIDE VIEW



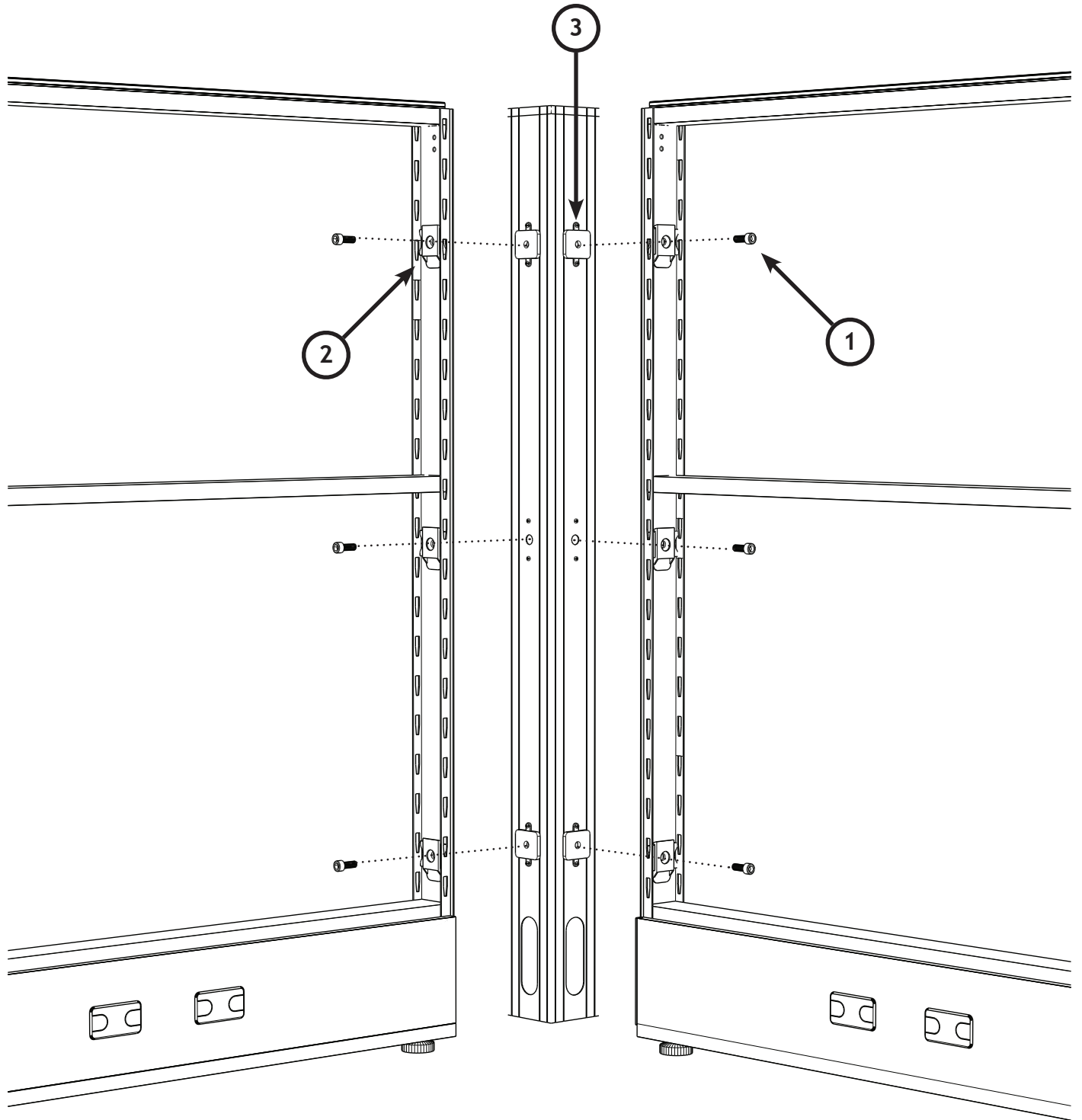
OUTSIDE VIEW

PARTS:

1. X3 ADD-ON BRACKET (FIG: 5.10)
2. M6 x 6mm SOCKET SCREW (FIG: 5.01)

WARNING:

- ADD-ON FRAMES MUST BE INSTALLED PRIOR TO CONNECTING THE PANELS TO ANY OTHER COMPONENTS
- DO NOT INSTALL GLAO TILE UNTIL AFTER THE BOTTOM TILE IS INSTALLED

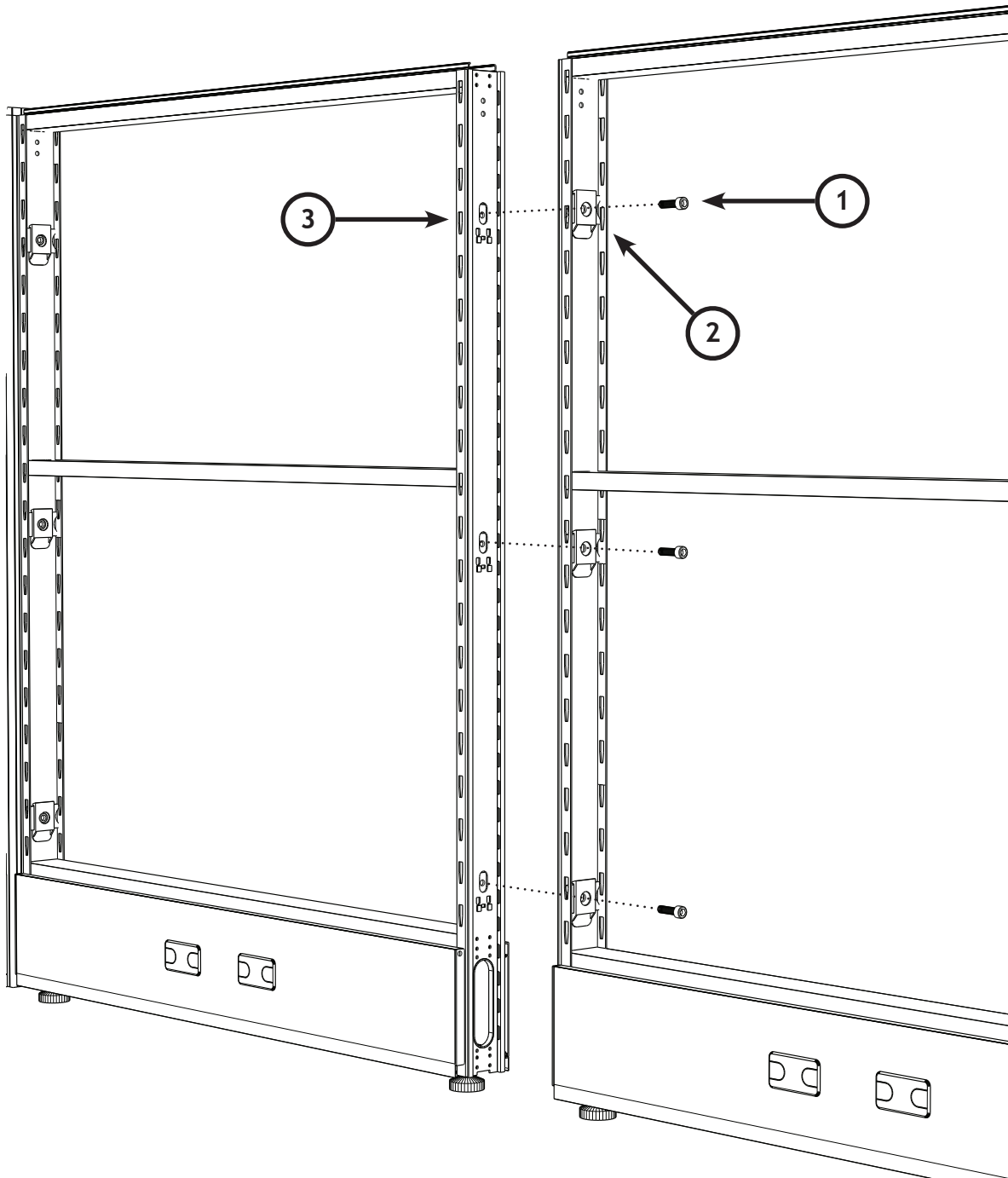


PARTS:

1. M8 x 20mm SOCKET SCREW (FIG: 5.02)
2. CON-B (NON-THREADED) (FIG: 5.11)
3. PRE-MOUNTED CON-A (FIG: 5.12)

WARNING:

- IF YOU HAVE ADD-ON FRAMES, THEY MUST BE INSTALLED PRIOR TO INSTALLING THE PANEL TO THE POSTS
- IF YOU NEED EXTRA CON-B BRACKETS, THEY ARE LOCATED IN THE HARDWARE PACK

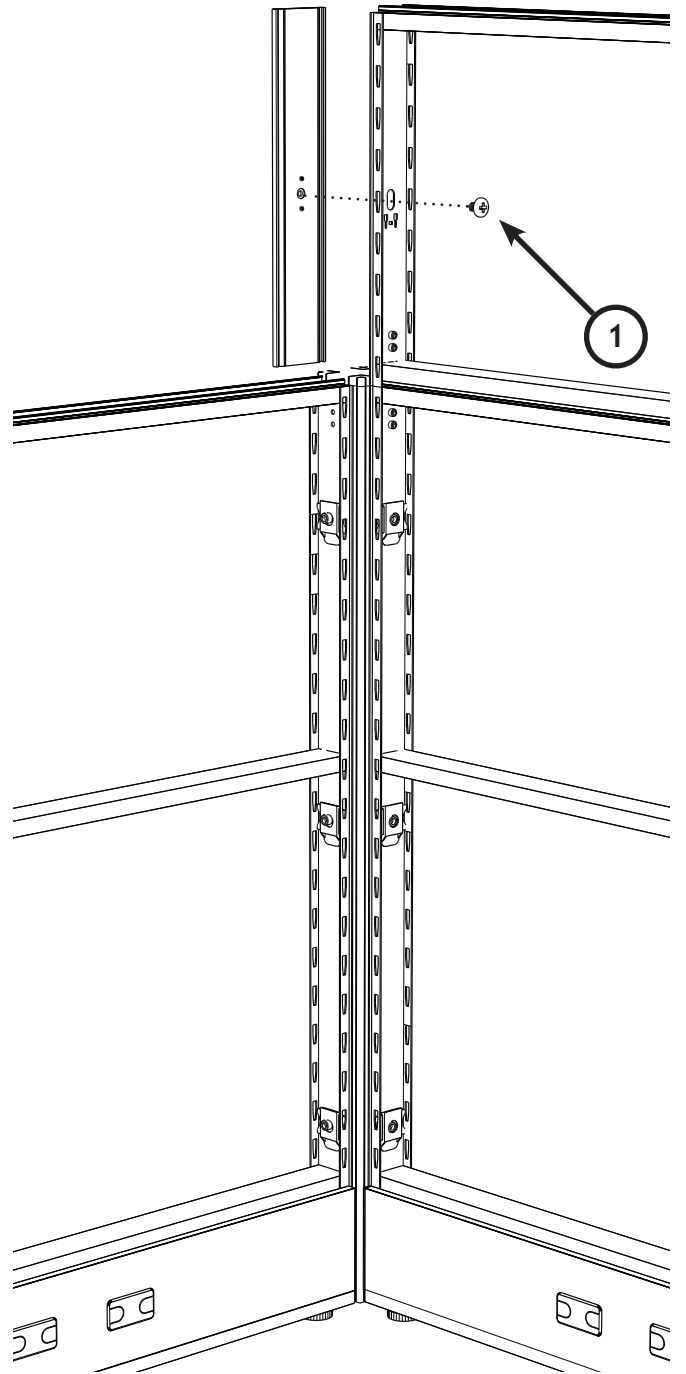
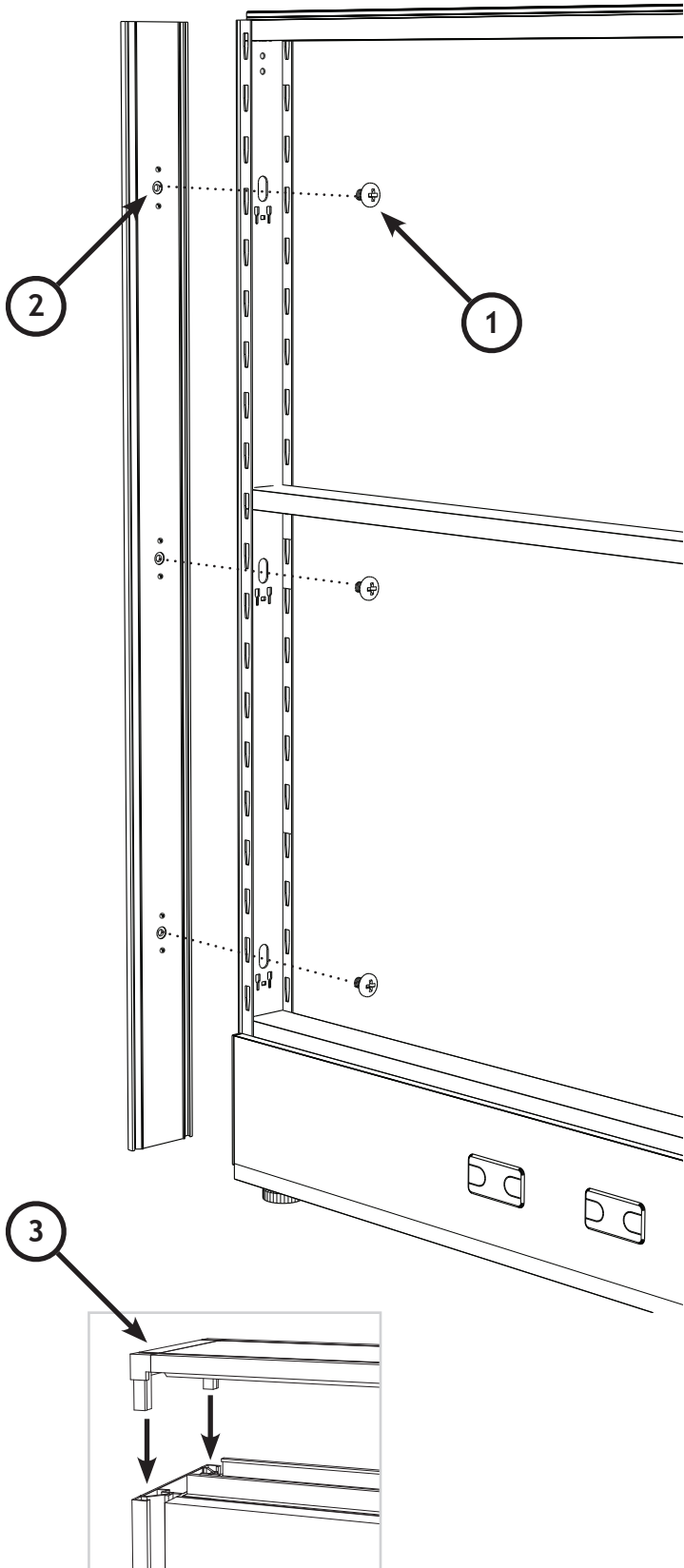


PARTS:

1. M8 x 30mm SOCKET SCREW (FIG: 5.03)
2. CON-B (NON-THREADED) (FIG: 5.11)
3. CON-A (THREADED) (FIG: 5.12)

WARNING:

- ADD-ON FRAMES MUST BE INSTALLED PRIOR TO CONNECTING THE PANELS TO ANY OTHER COMPONENTS
- IF YOU NEED EXTRA CON-B BRACKETS, THEY ARE LOCATED IN THE HARDWARE PACK

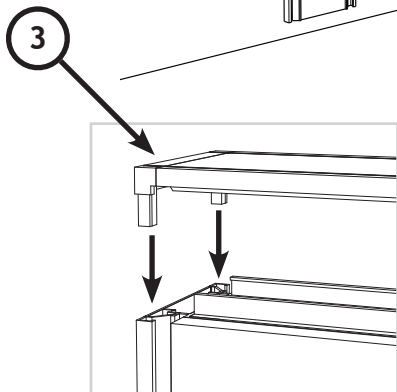
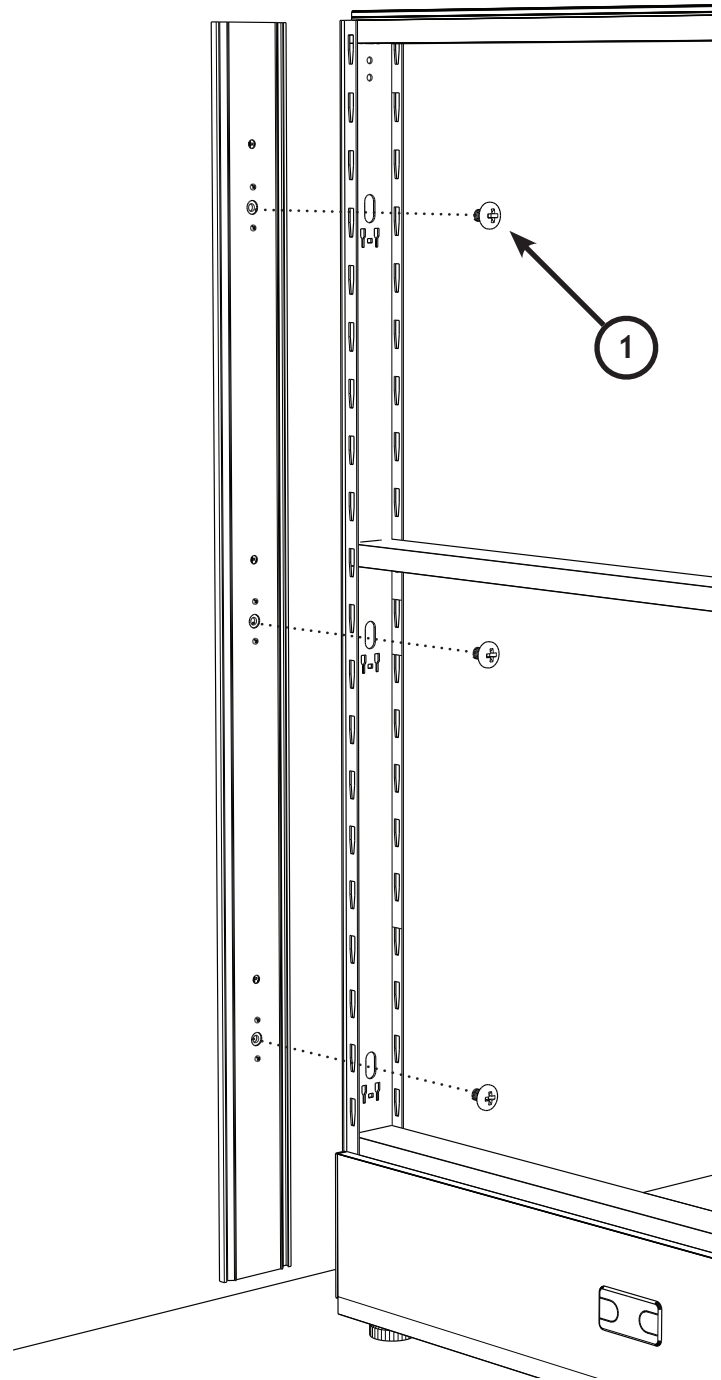
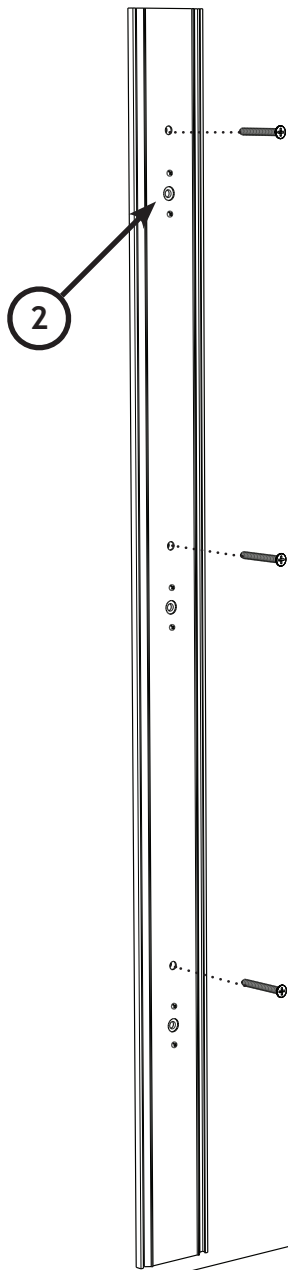


PARTS:

1. M8 x 12mm PHILLIPS SCREW (FIG: 5.04)
2. PRE-MOUNTED CON-A (FIG: 5.11)
3. X3 END TRIM TOP CAP TRANSITION

WARNING:

- END TRIM TRANSITION PIECE SHOULD BE INSTALLED WHILE CONNECTING THE TOP CAP TO THE PANEL

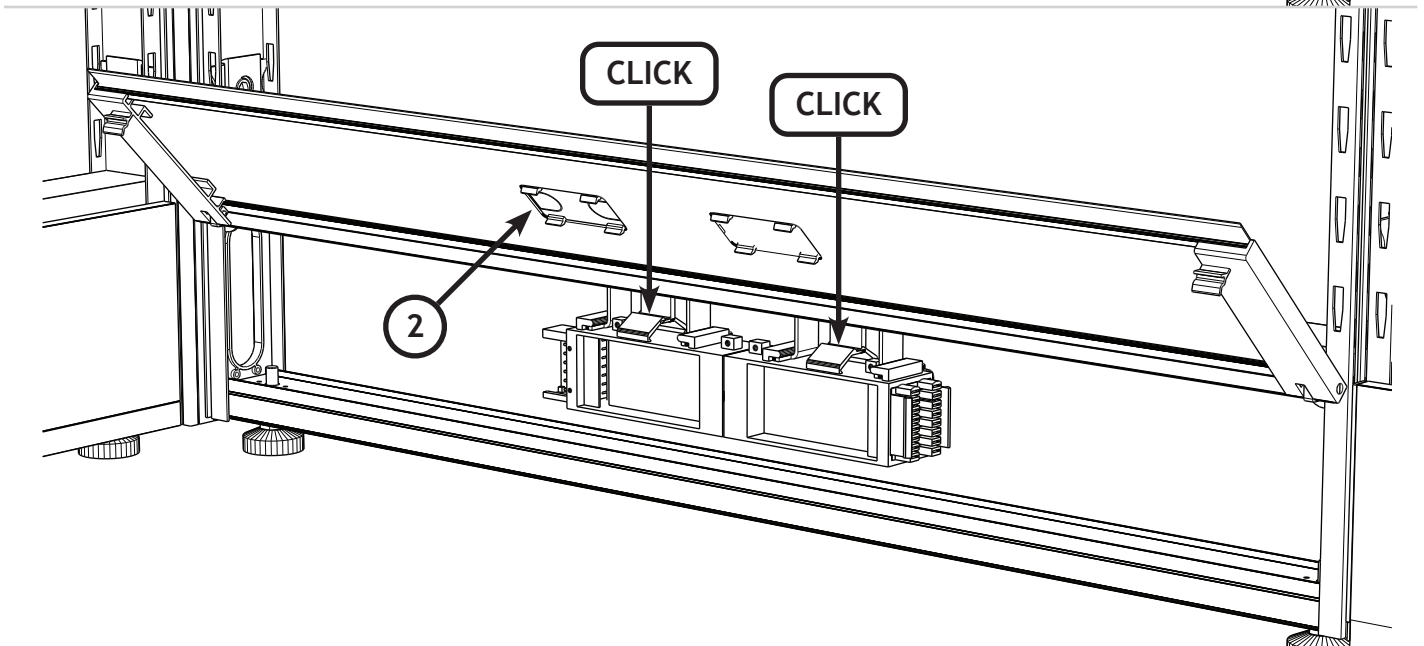
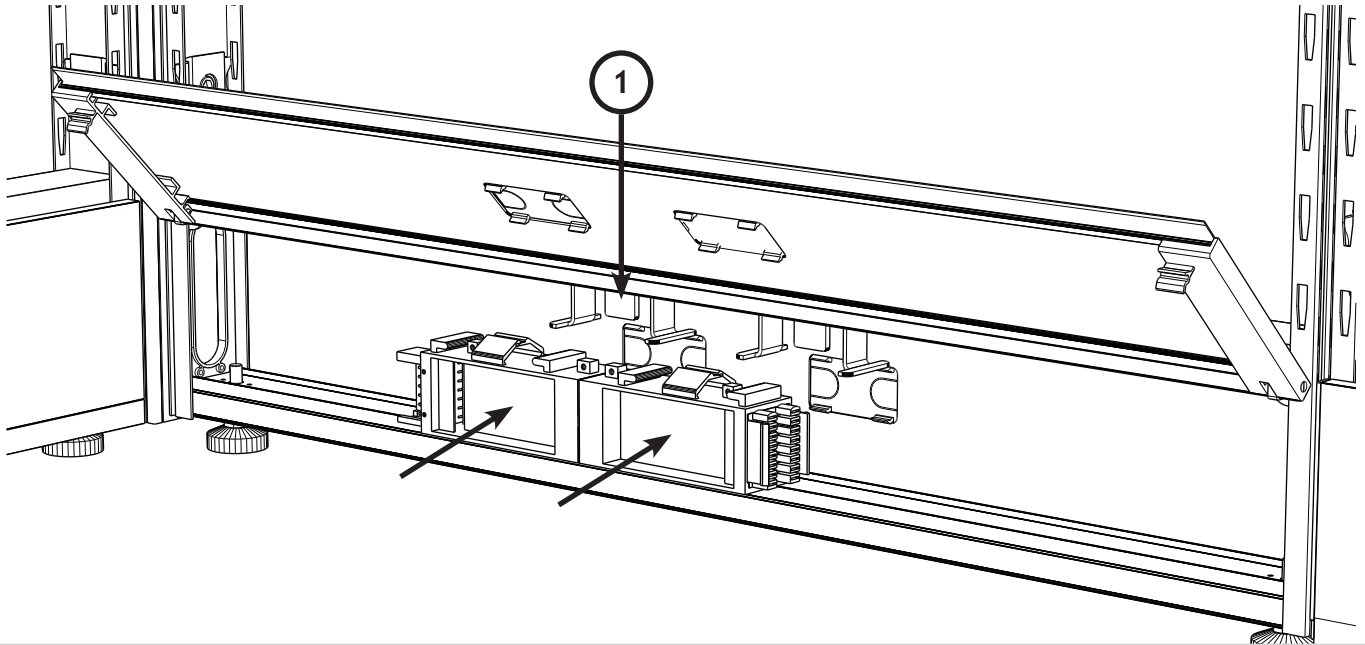


PARTS:

- 1. M8 x 12mm PHILLIPS SCREW (FIG: 5.04)
- 2. PRE-MOUNTED CON-A (FIG: 5.11)
- 3. X3 WALL-MOUNT TOP CAP TRANSITION

WARNING:

- WALL MOUNTING HARDWARE NOT INCLUDED
- WALL-MOUNT TRANSITION PIECE SHOULD BE INSTALLED WHILE CONNECTING THE TOP CAP TO THE PANEL

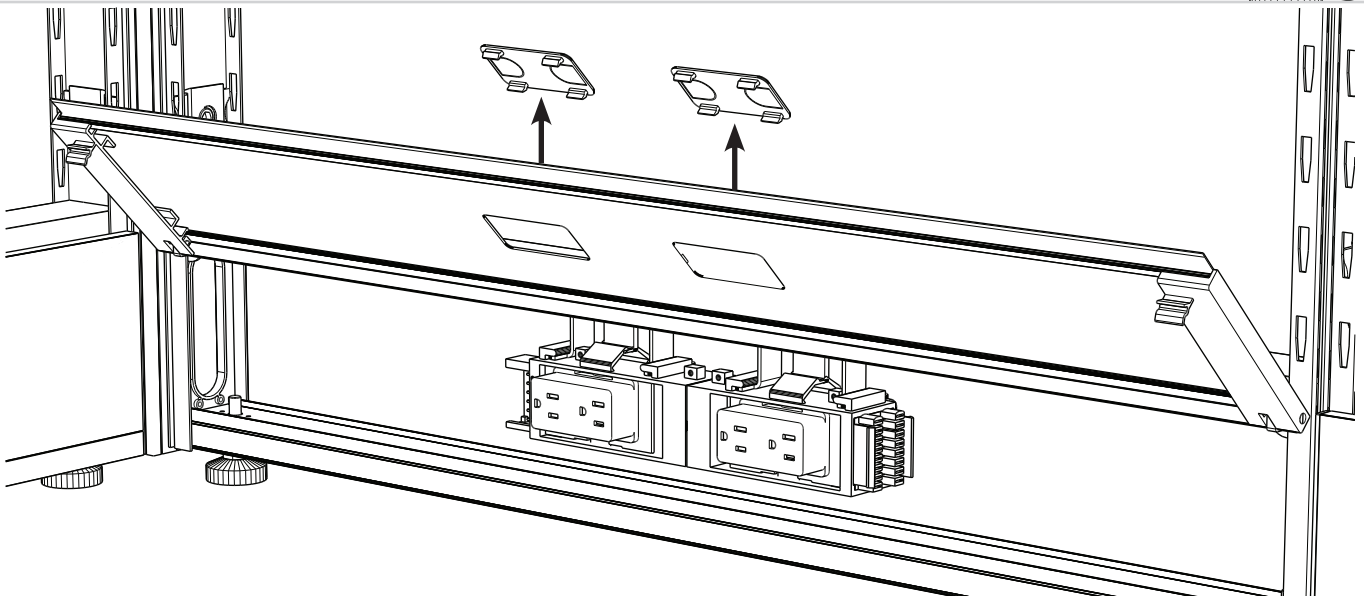
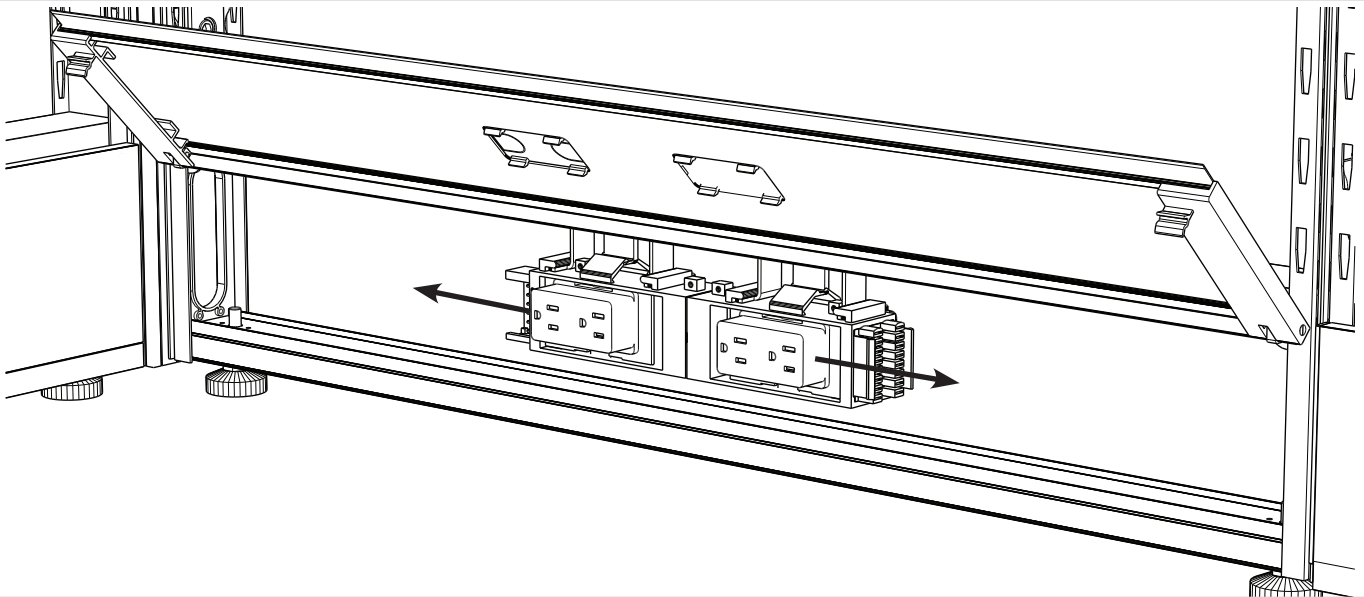
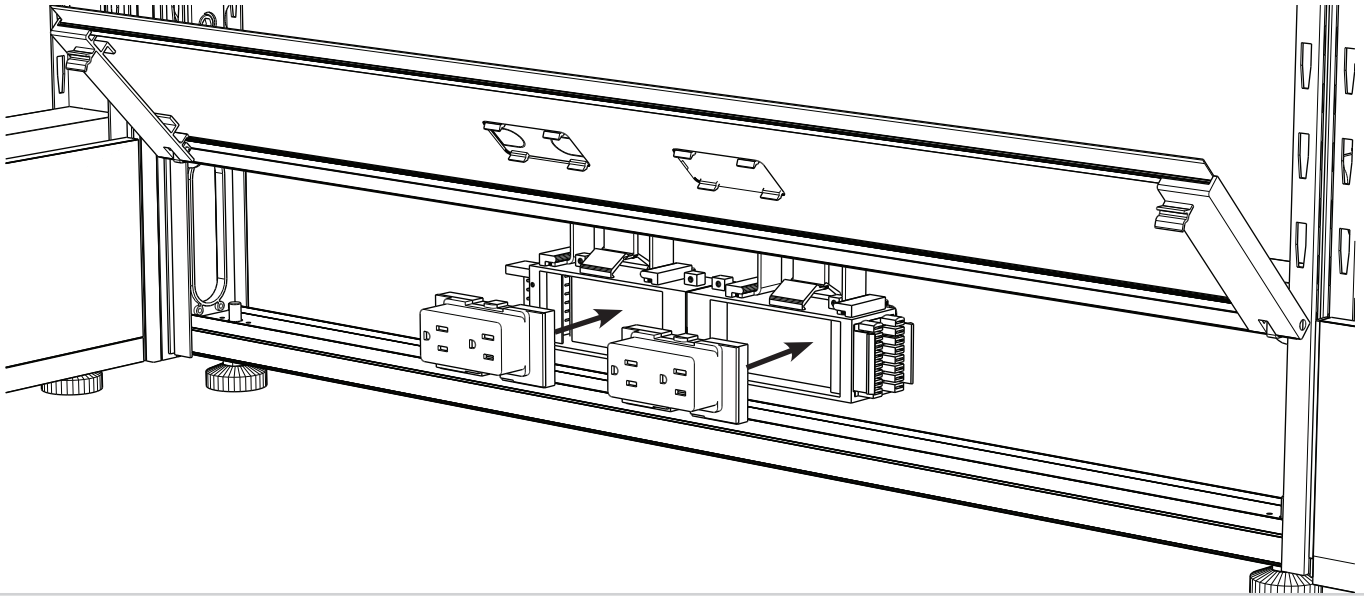


PARTS:

- 1. POWER BLOCK MOUNTING CLIP
- 2. DUPLEX COVER

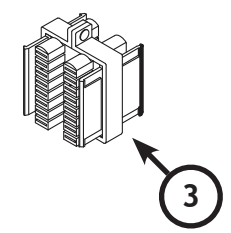
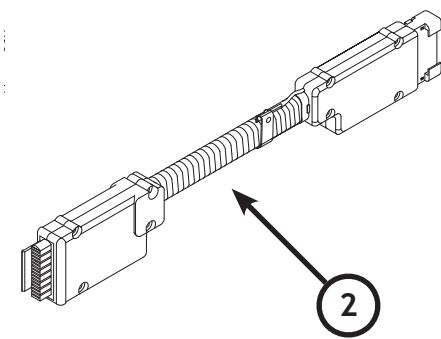
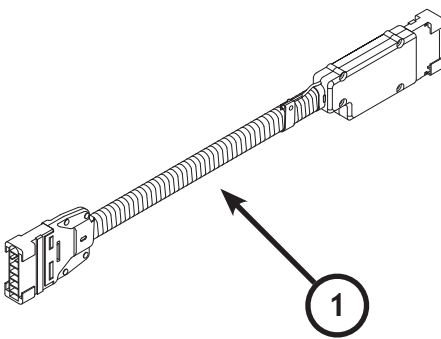
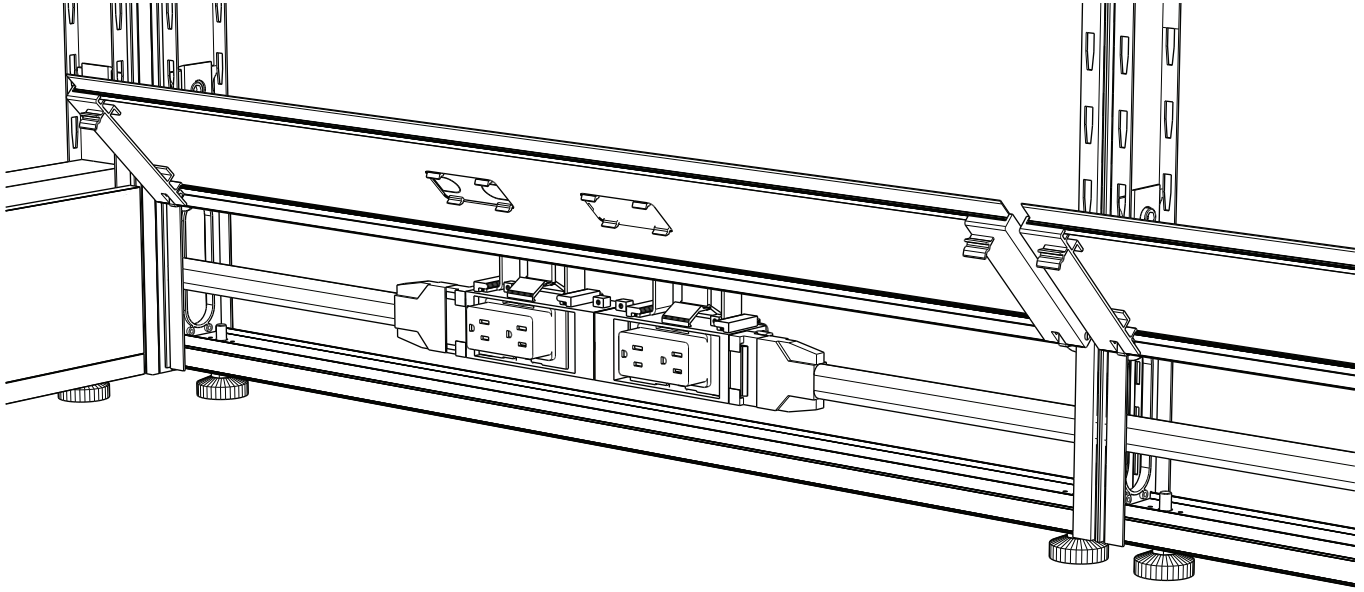
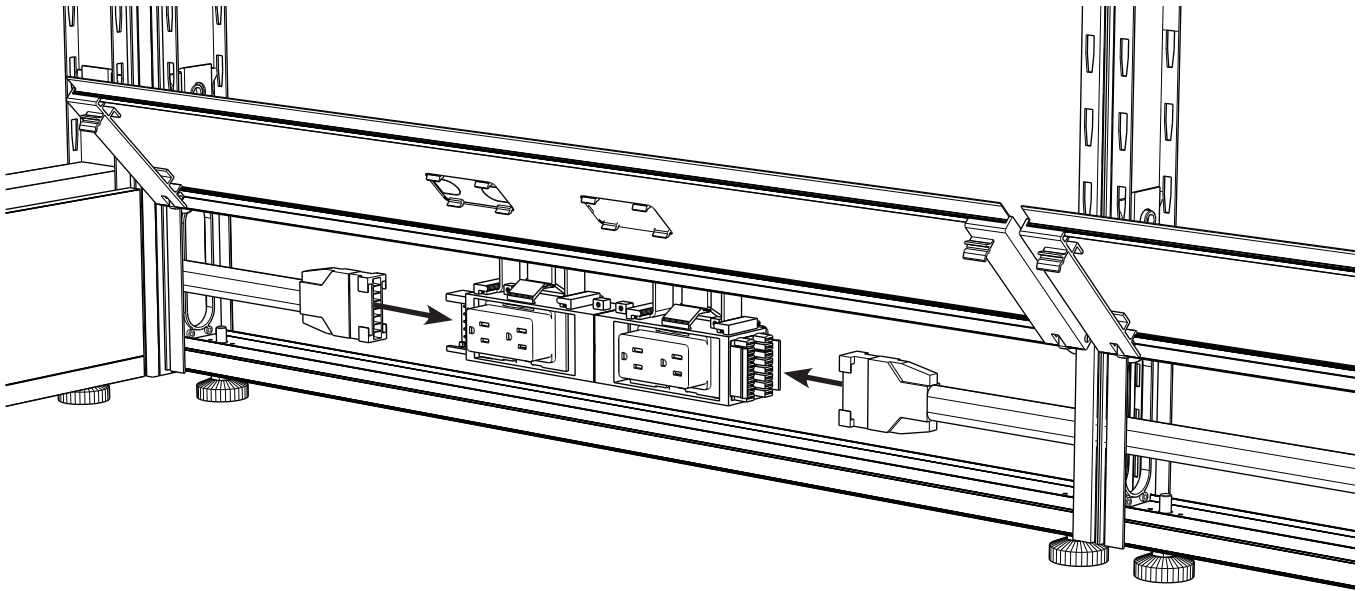
TIP:

- SOMETIMES IT IS EASIER TO INSTALL THE JUMPERS AND INFEDS PRIOR TO SLIDING THE POWER BLOCK ONTO THE MOUNTING CLIPS



TIP:

- THE CIRCUIT IS SPECIFIED ON THE FRONT OF THE DUPLEX

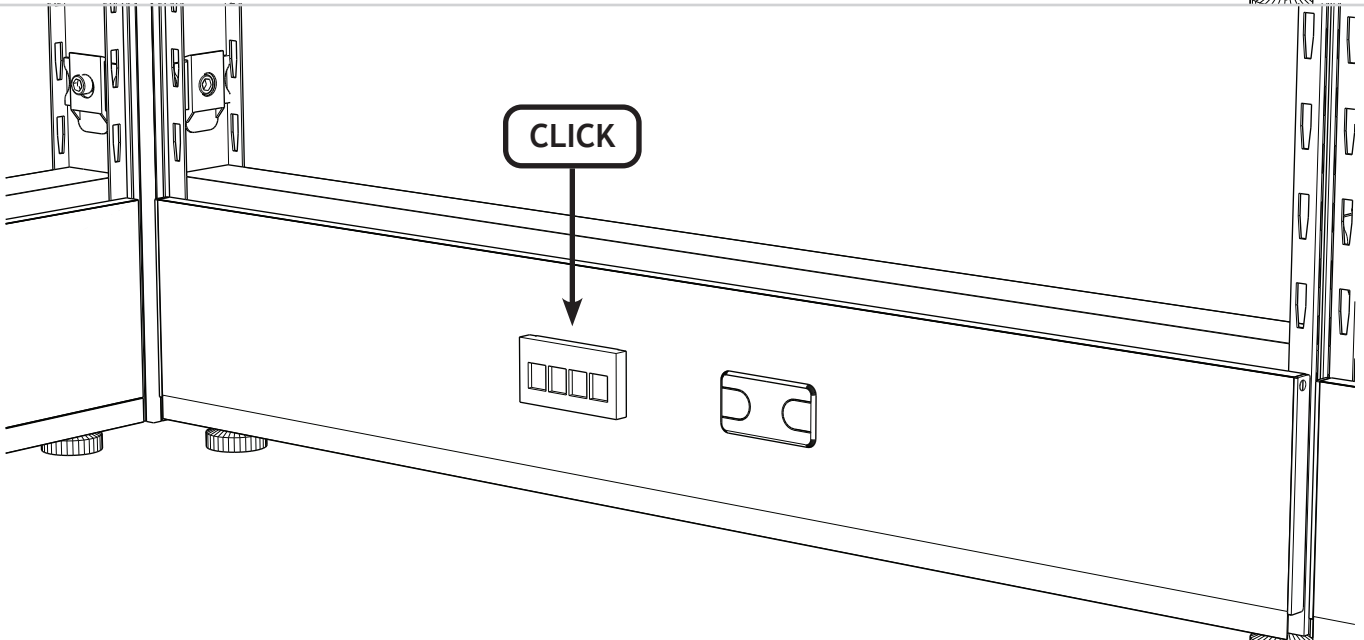
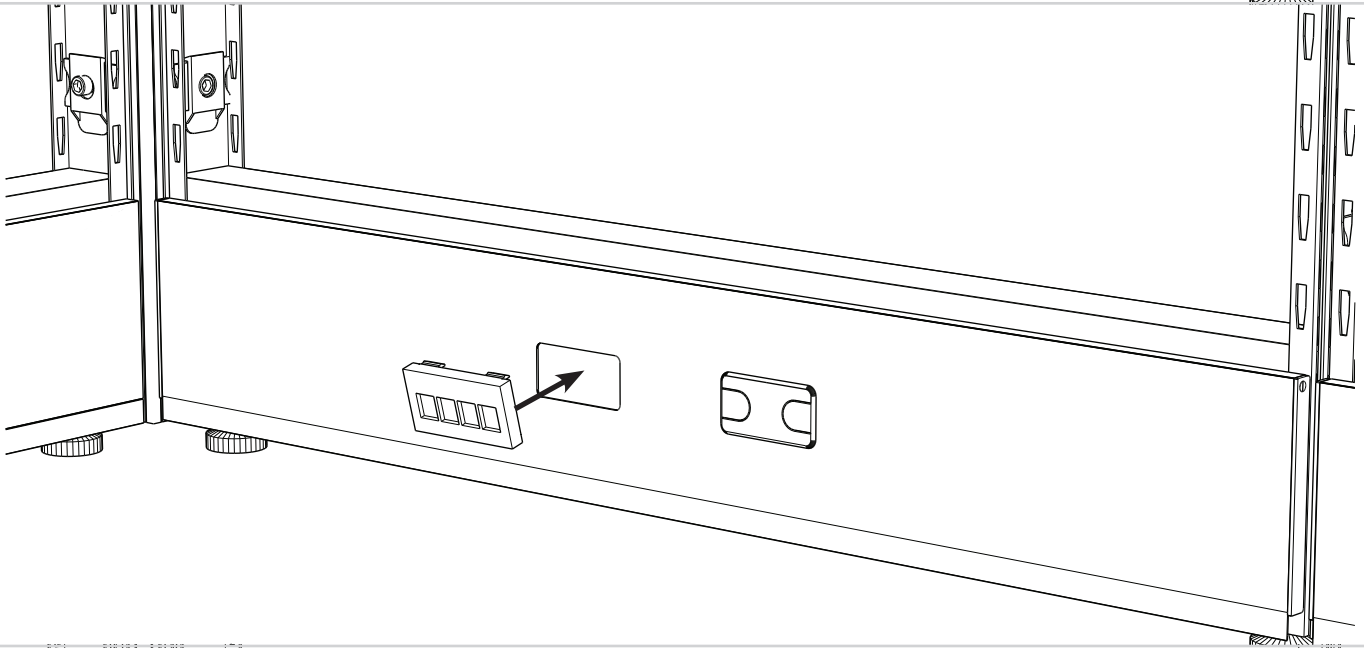
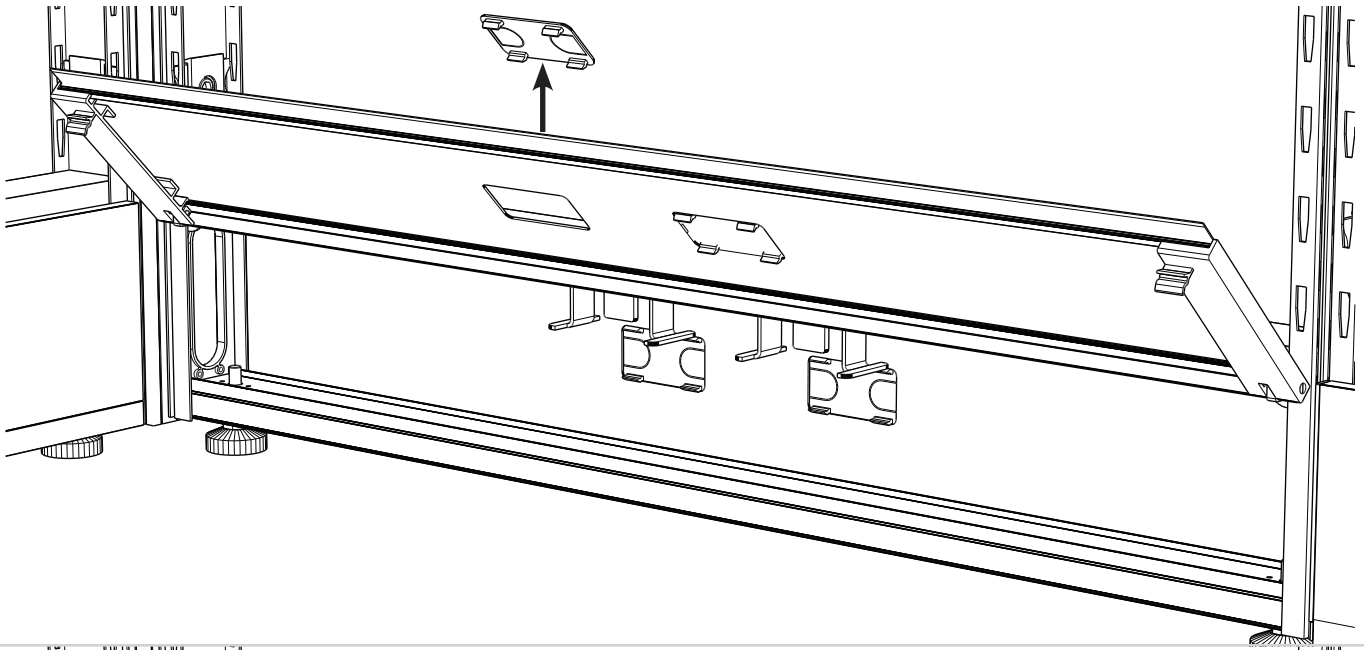


PARTS:

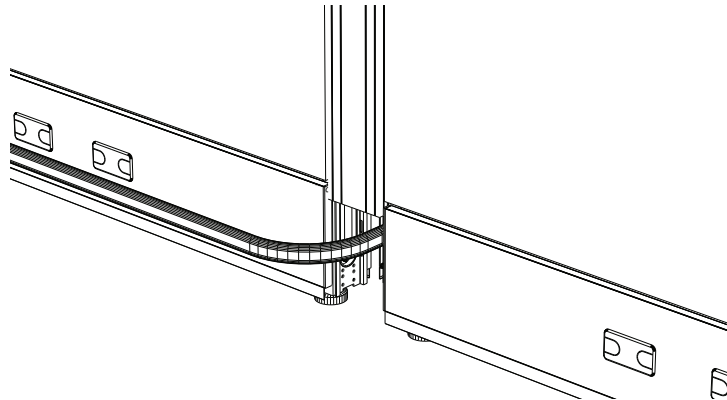
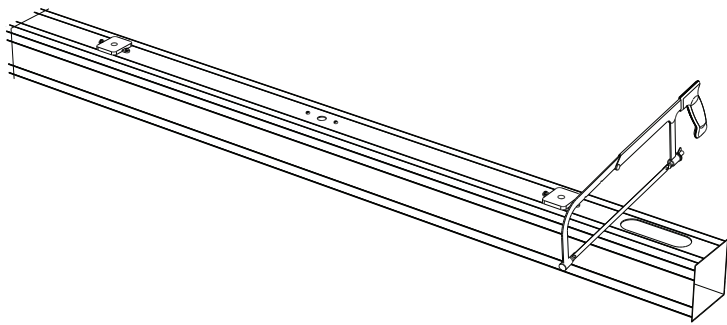
- 1. MALE-MALE POWER BLOCK JUMPER
- 2. FEMALE-MALE JUMPER EXTENDER
- 3. MALE-MALE JUMPER CONNECTOR

TIP:

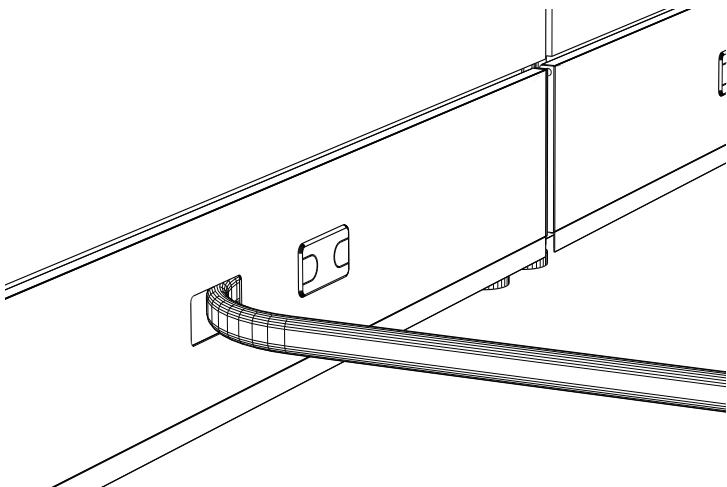
- JUMPERS CAN STRETCH UP TO 3 1/2" TO HELP TURN CORNERS AND JUMP 3-WAY / 4-WAY CONNECTIONS
- SOMETIMES IT IS EASIER TO INSTALL THE JUMPERS AND INFEDS PRIOR TO SLIDING THE POWER BLOCK ONTO THE MOUNTING CLIPS



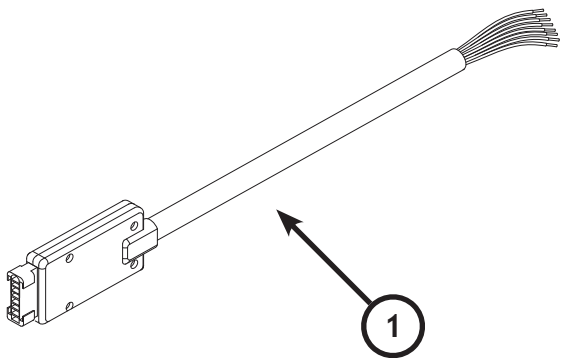
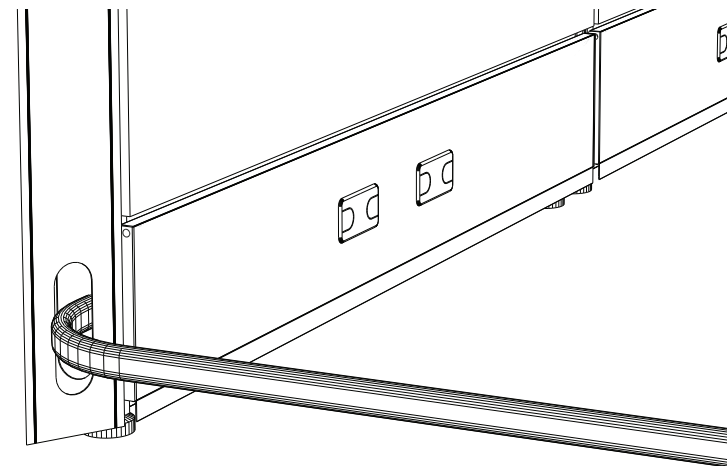
OPTION-1: CUT DOWN POST



OPTION-2: DUPLEX CUTOUT



OPTION-3: 120-DEG END OF RUN POST

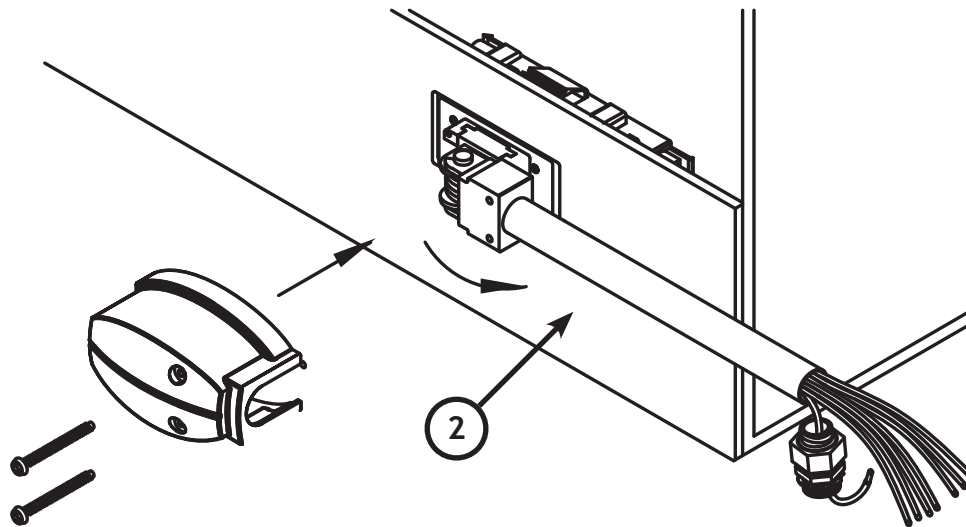
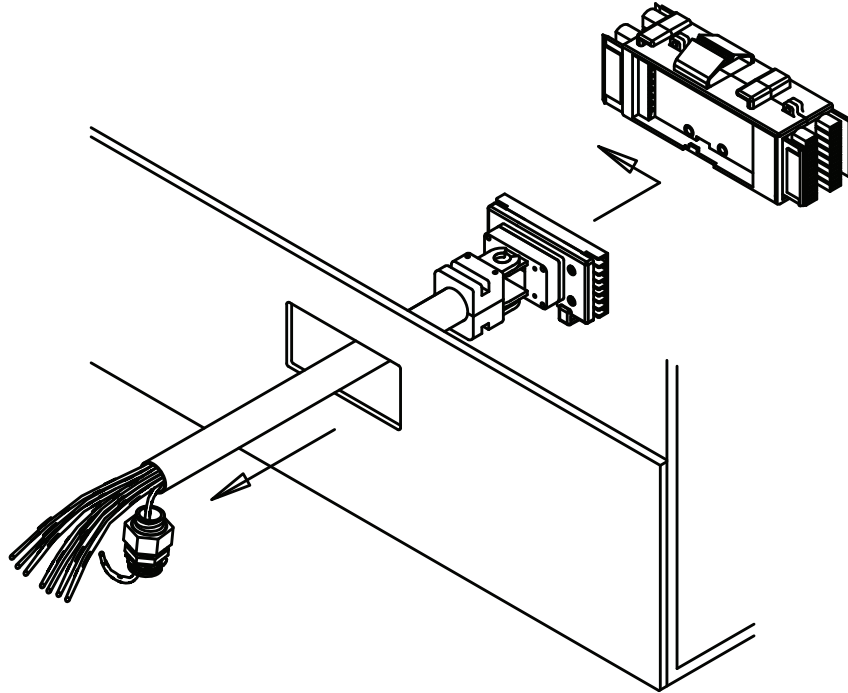


PARTS:

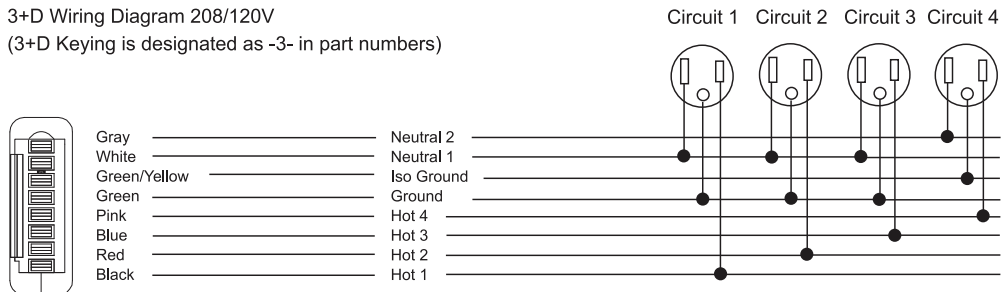
- 1. XE-BFM-60 or 96 (INSIDE CONNECTION)
- 2. XE-BFM-SE-60 (SIDE CONNECTION)

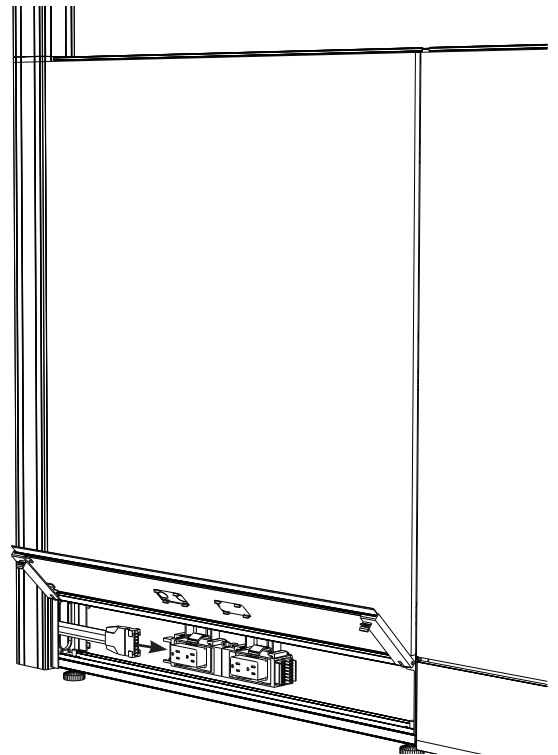
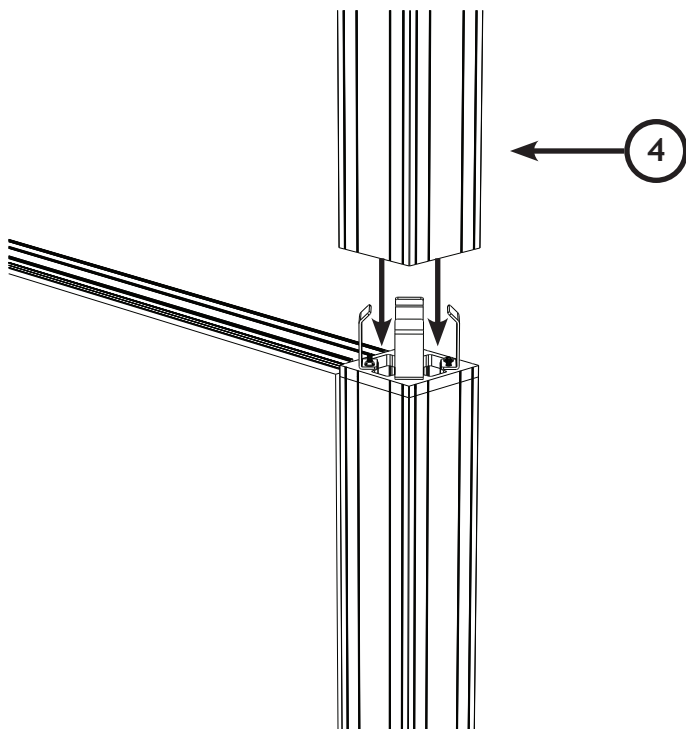
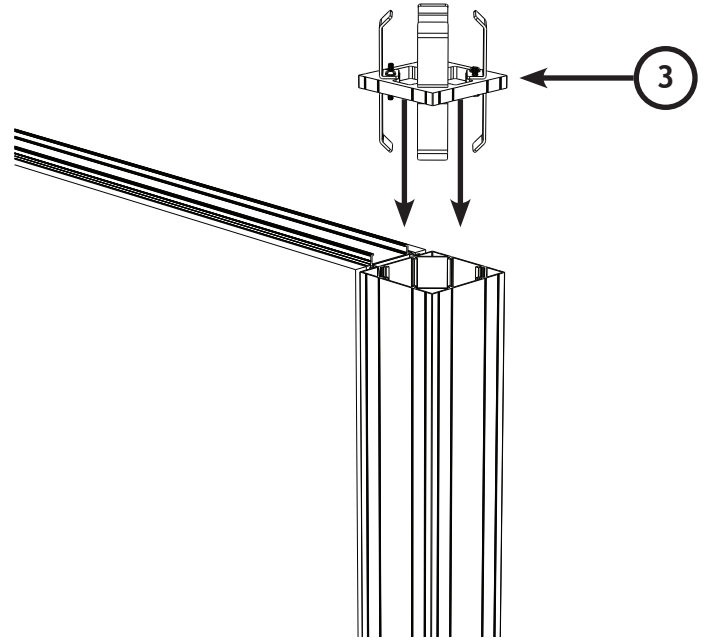
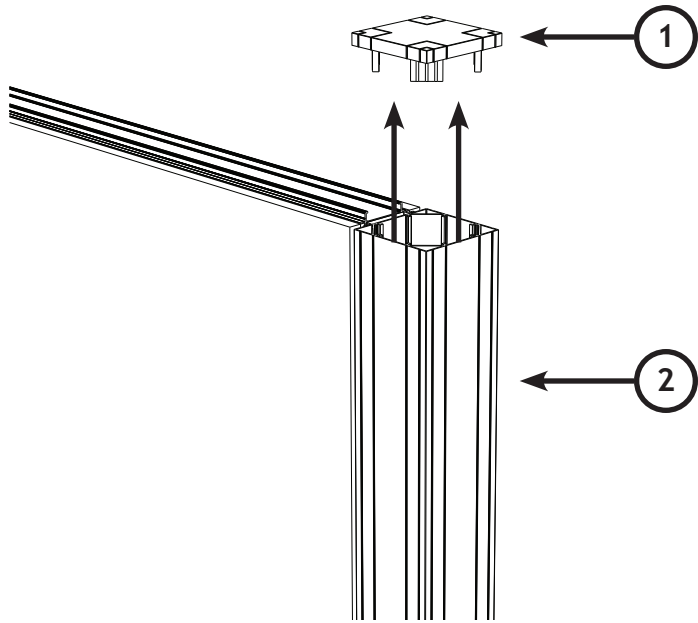
TIP:

- SOMETIMES IT IS EASIER TO INSTALL THE JUMPERS AND INFEDS PRIOR TO SLIDING THE POWER BLOCK ONTO THE MOUNTING CLIPS



3+D Wiring Diagram 208/120V
(3+D Keying is designated as -3- in part numbers)





XE-TFM-EOR-47-10-144	
CONNECTING POST LENGTH:	47"
TOP POST LENGTH:	73"
INFEED LENGTH:	144"

PART NUMBER EXAMPLE

TIP:

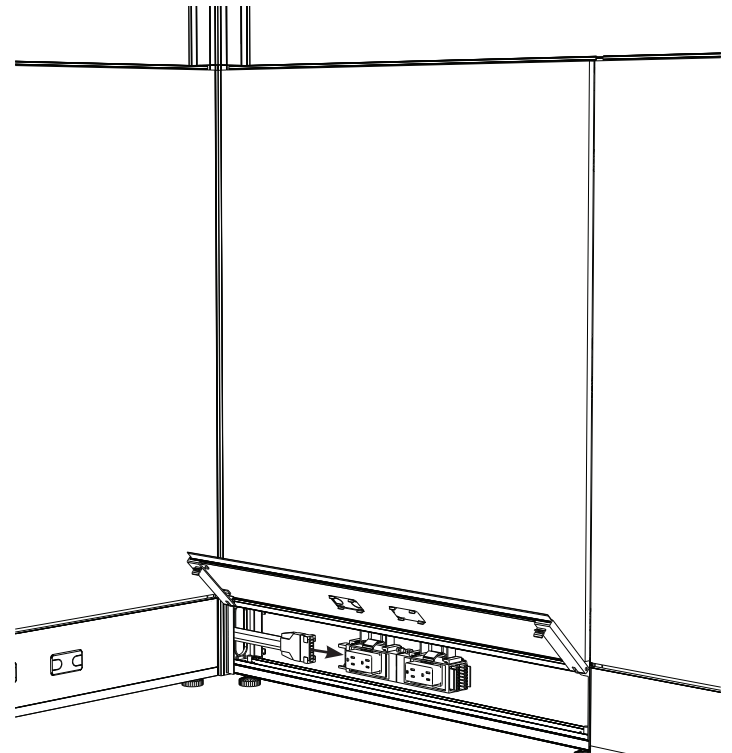
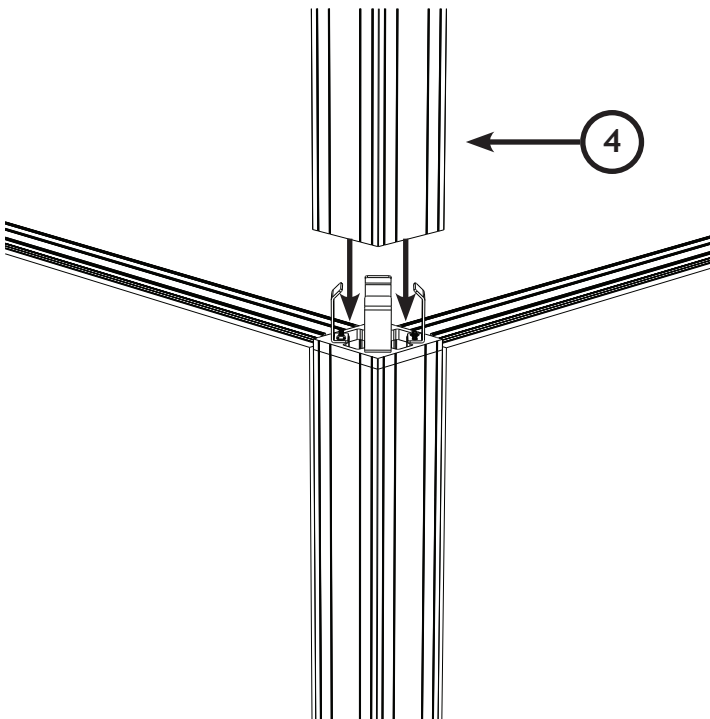
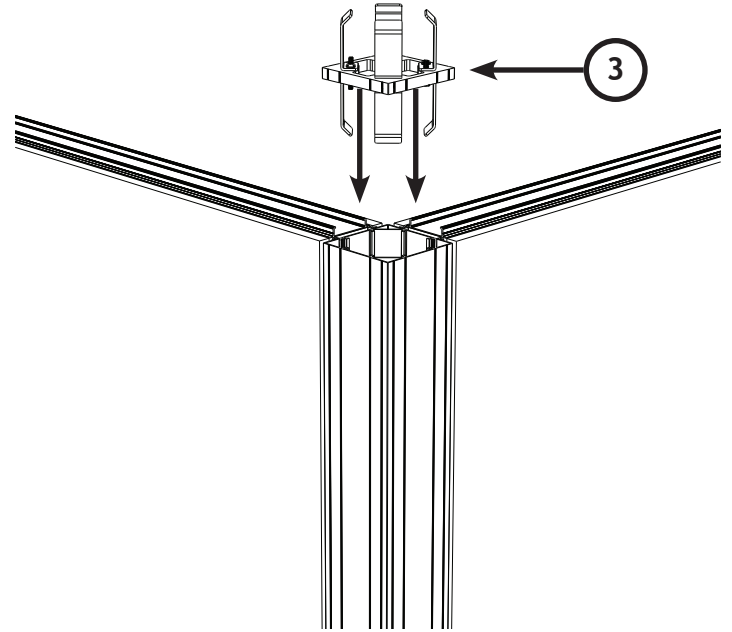
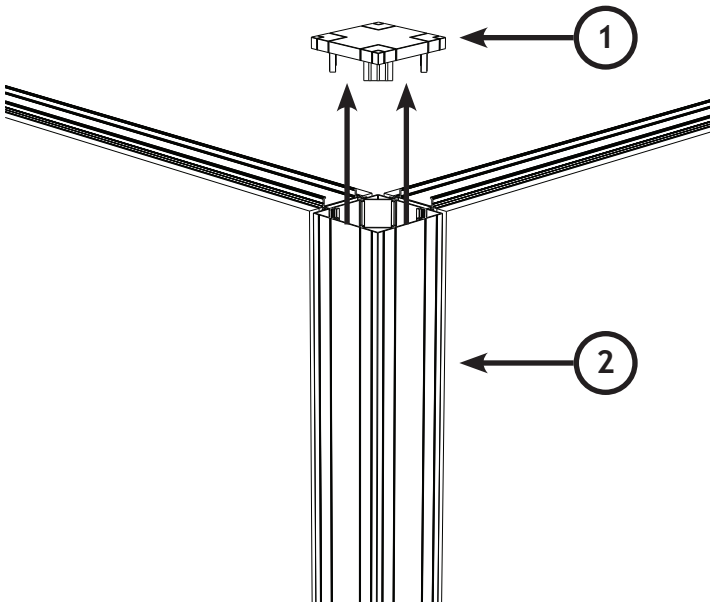
- REFER TO PAGE-19 FOR THE INFEED WIRING DIAGRAM

PARTS:

1. X3 POST TOP CAP
2. END-OF-RUN POST
3. TFM POST CONNECTOR
4. TFM TOP SLEEVE

WARNING:

- YOU MIGHT BE REQUIRED TO JUMP A PANEL PRIOR TO PLUGGING THE INFEED INTO THE POWER BLOCK IF YOU HAVE 180" TOP-FEED WHIPS
- TOP SLEEVE LENGTH DEPENDS ON THE POST HEIGHT IT IS CONNECTING TO



X3-TFM-65-10-180	
CONNECTING POST LENGTH:	65"
TOP POST LENGTH:	55"
INFEEED LENGTH:	180"

PART NUMBER EXAMPLE

TIP:

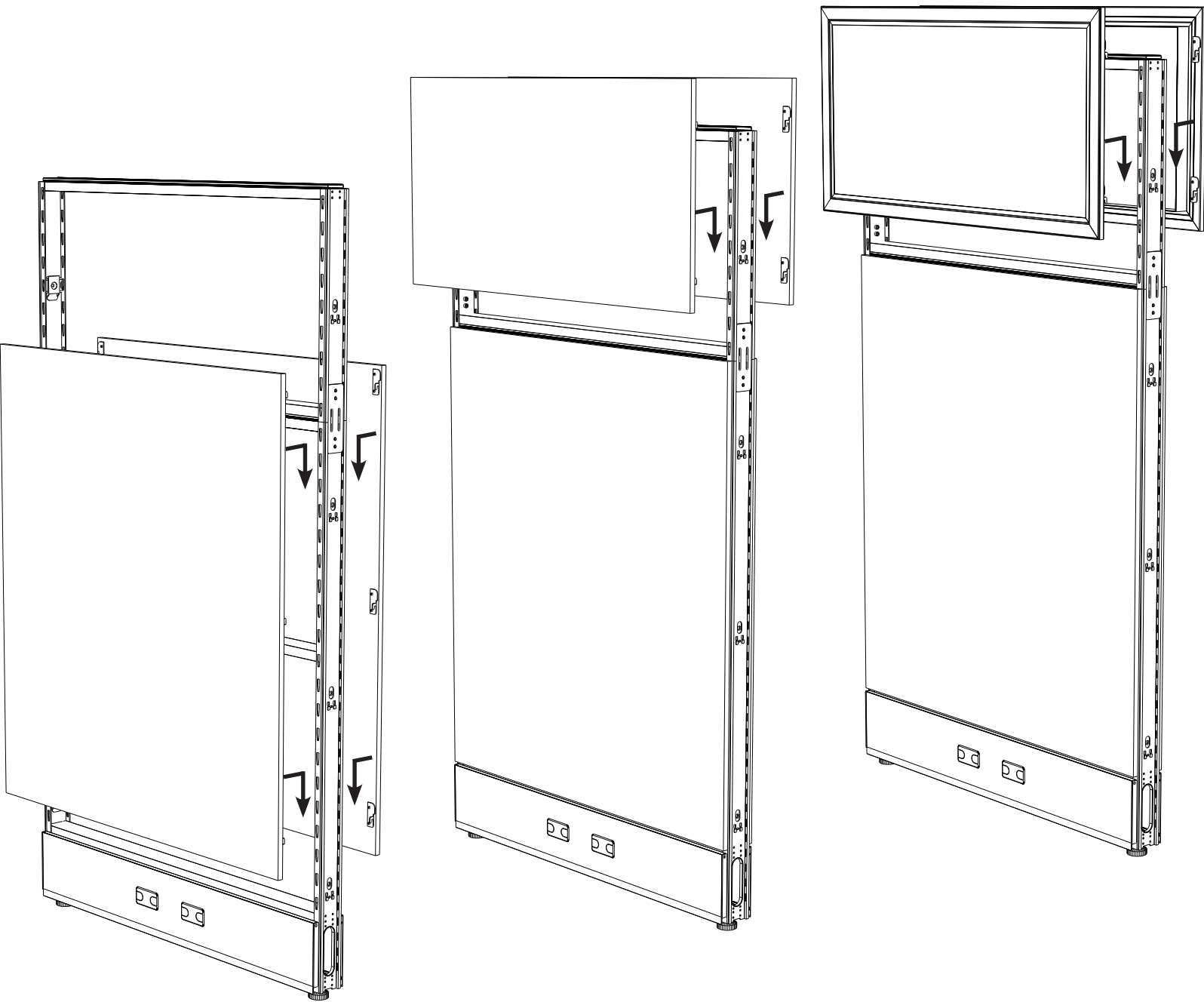
- REFER TO PAGE-19 FOR THE INFEEED WIRING DIAGRAM

PARTS:

1. X3 POST TOP CAP
2. 2-WAY / 3-WAY / 4-WAY POST
3. TFM POST CONNECTOR
4. TFM TOP SLEEVE

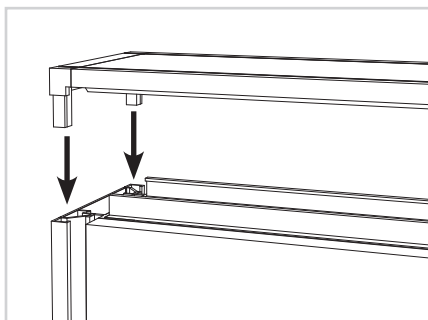
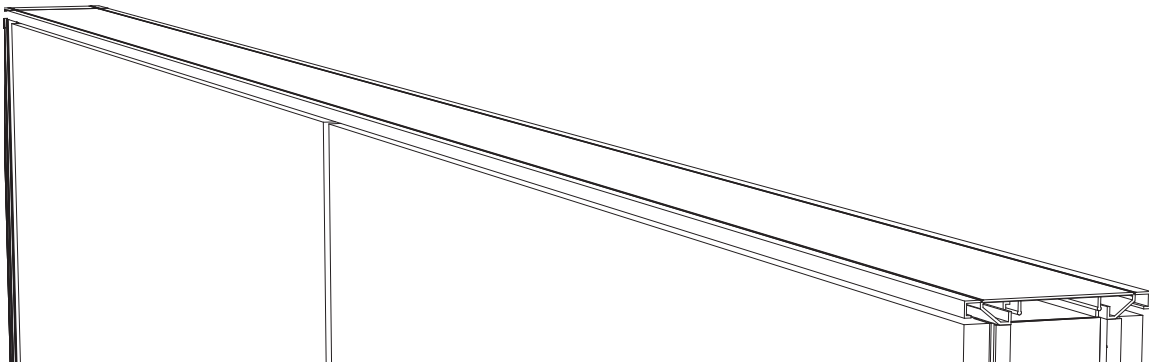
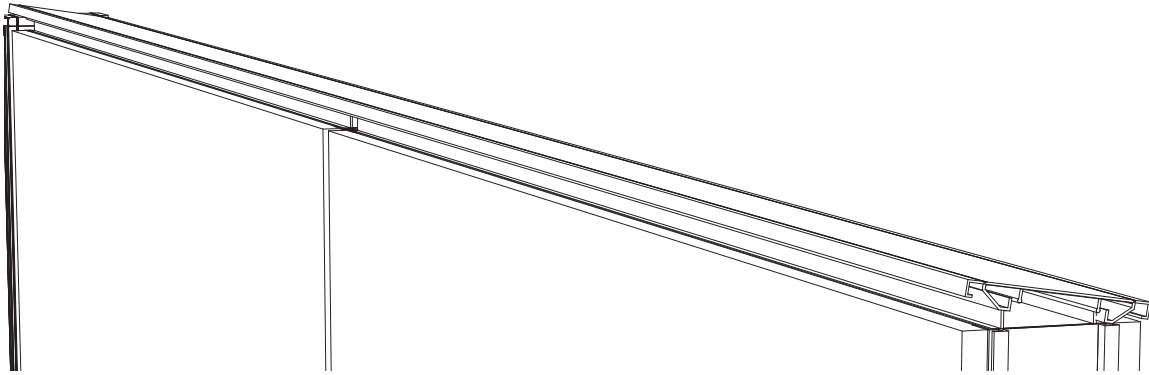
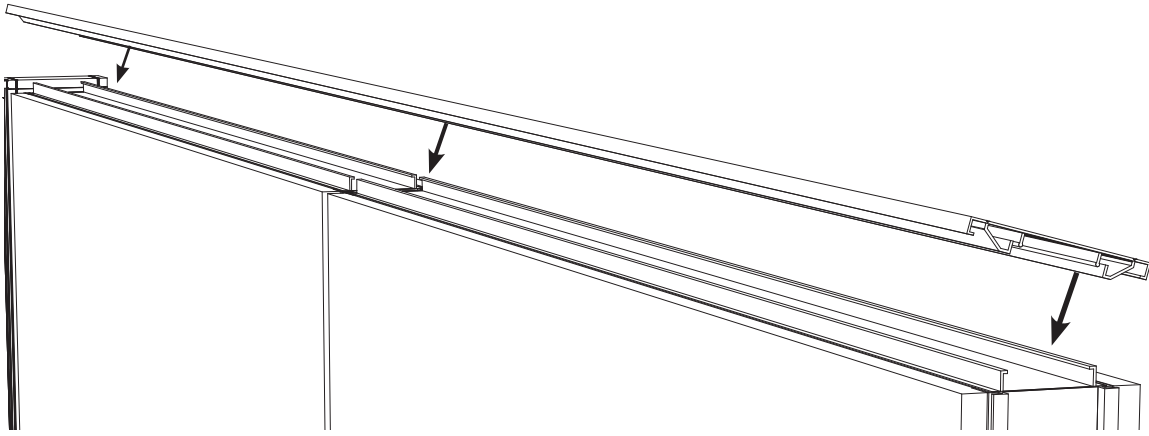
WARNING:

- YOU MIGHT BE REQUIRED TO JUMP A PANEL PRIOR TO PLUGGING THE INFEEED INTO THE POWER BLOCK IF YOU HAVE 180" TOP-FEED WHIPS
- TOP SLEEVE LENGTH DEPENDS ON THE POST HEIGHT IT IS CONNECTING TO



WARNING:

- TILES SHOULD ALWAYS BE INSTALLED STARTING AT THE BOTTOM OF THE PANEL THEN MOVING UP

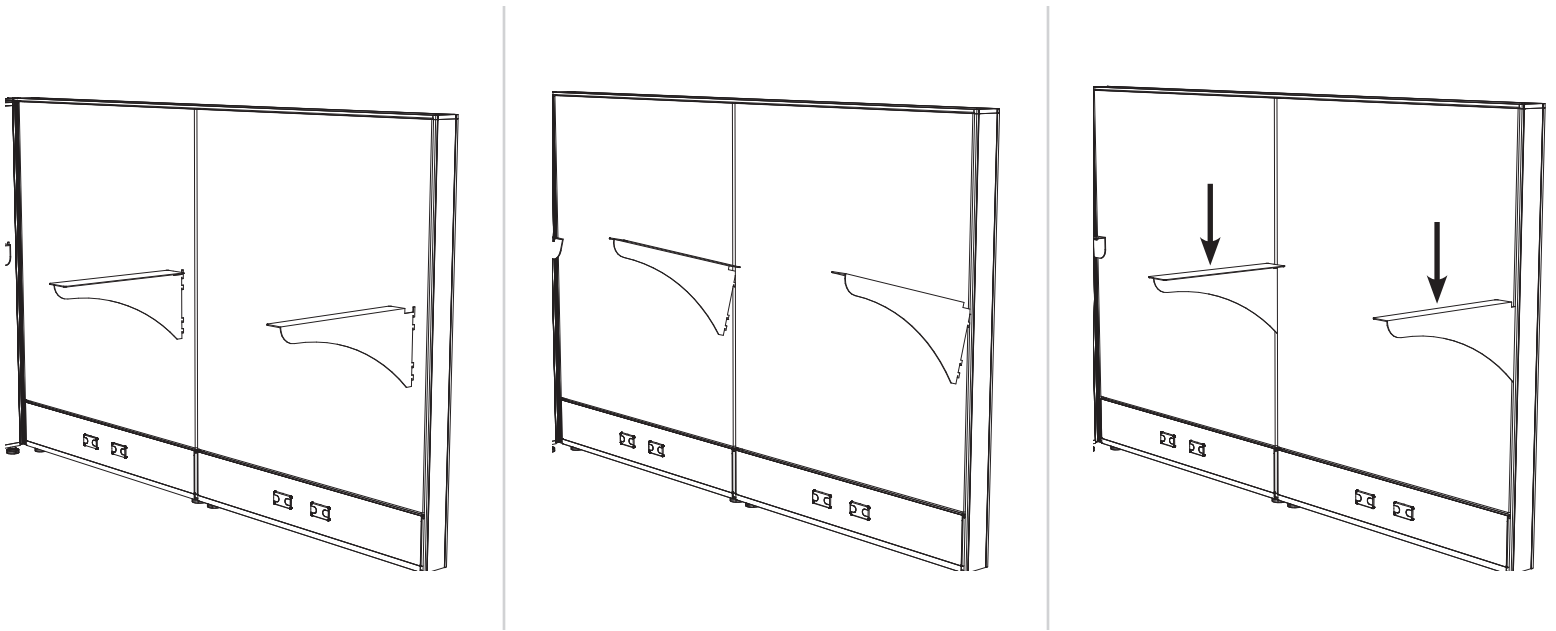


TOP CAP END TRIM TRANSITION

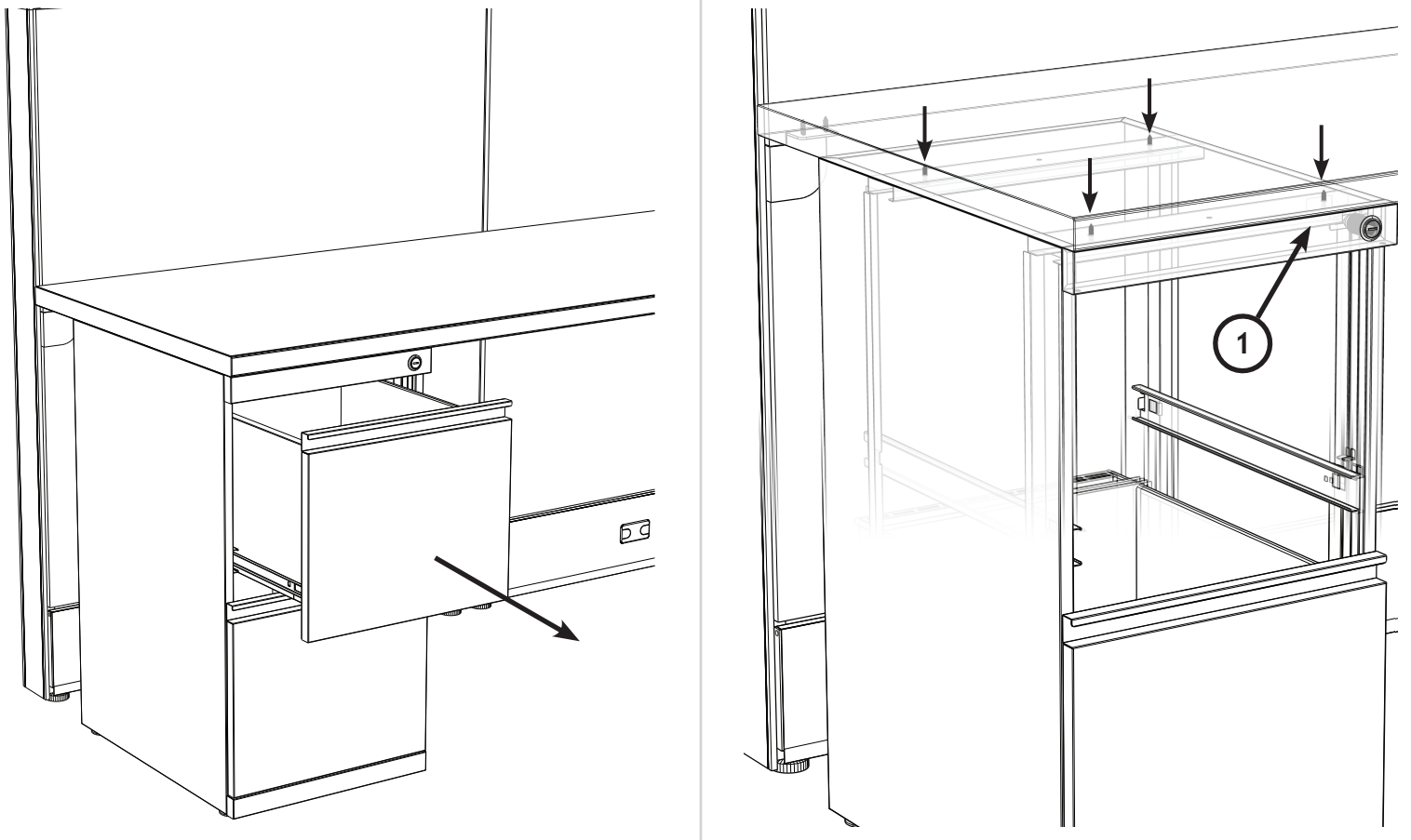
WARNING:

- TILES SHOULD ALWAYS BE INSTALLED BEFORE THE TOP CAPS
- DO NOT USE A MALLET OR HAMMER ON TOP CAPS

SUPPORT BRACKETS

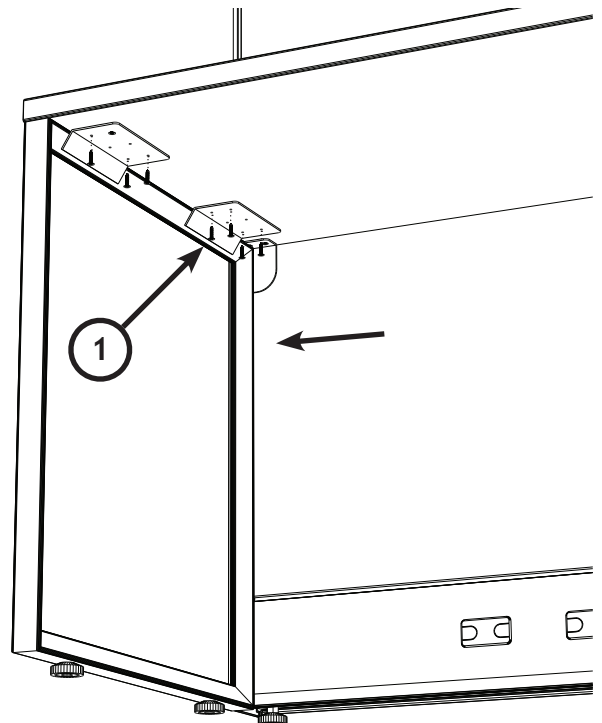
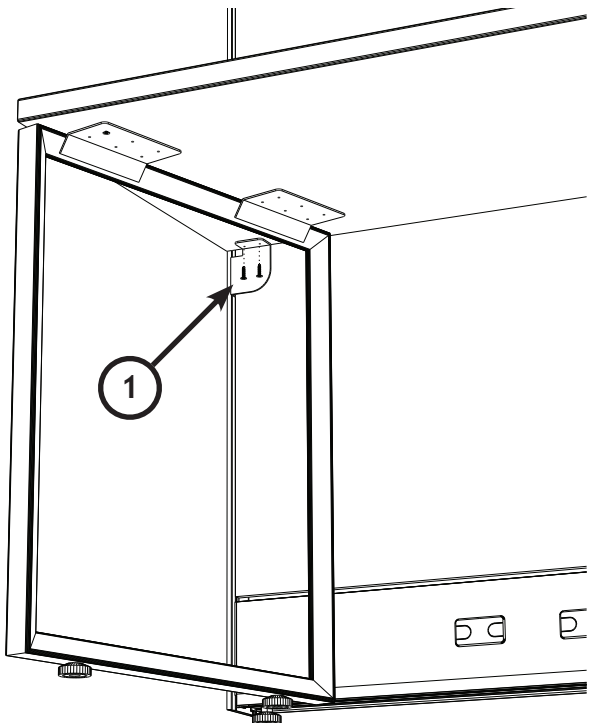
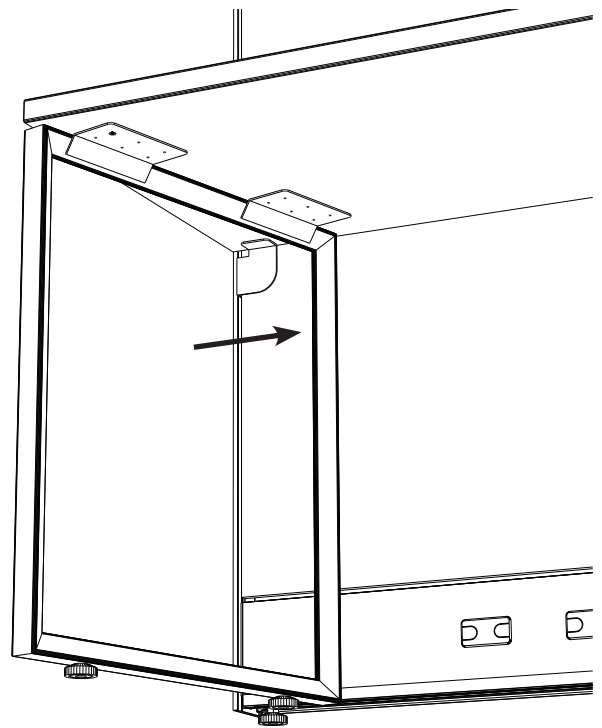
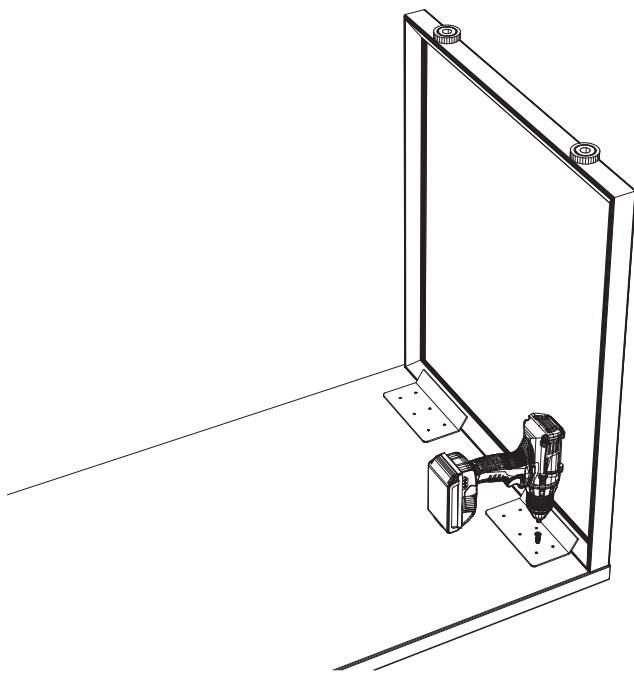


SUPPORTING PEDESTALS

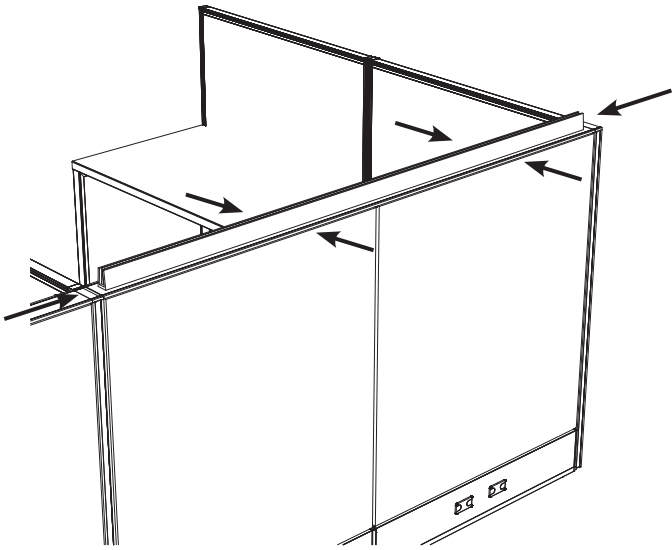


PARTS:

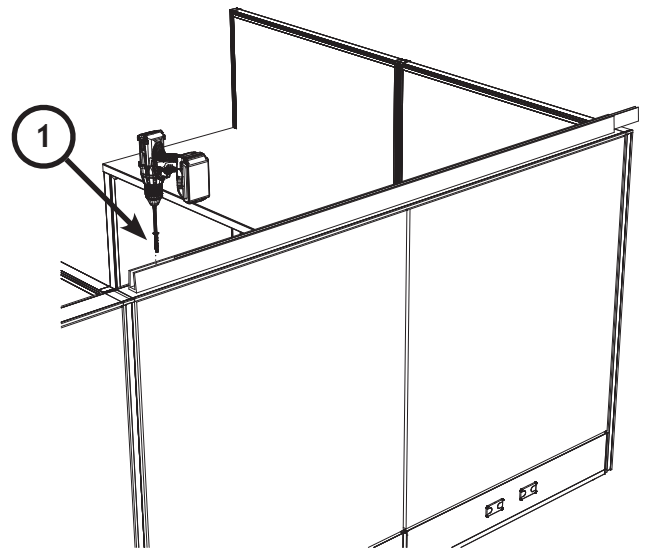
1. #8 x .75" Phillips Screw (Fig: 5.06)

**PARTS:**

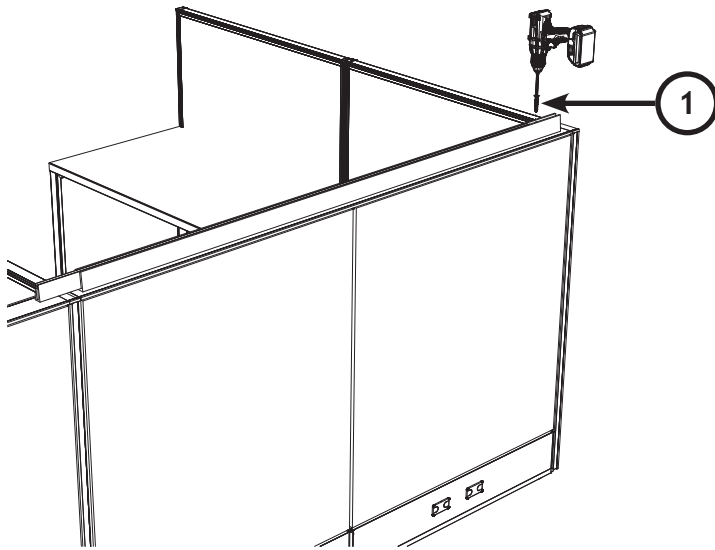
1. #8 x .75" Phillips Screw (Fig: 5.06)



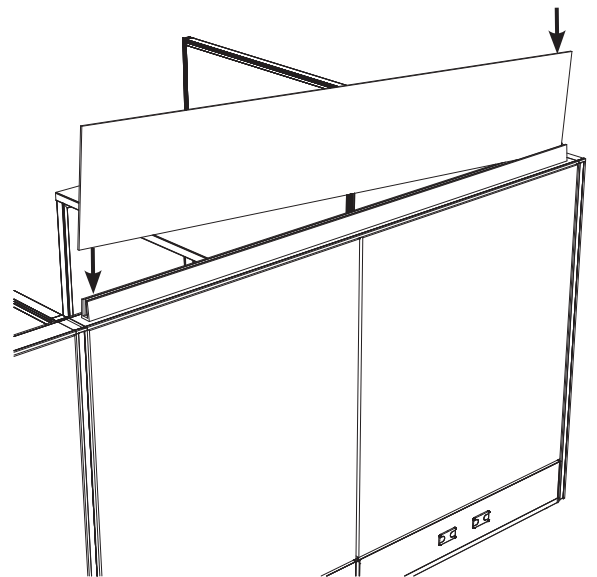
- CENTER BRACKET ON TOP CAP



- SLIDE INTERIOR SLEEVE TO ONE SIDE TO ACCESS COUNTERSUNK HOLE



- SLIDE INTERIOR SLEEVE TO OTHER SIDE TO ACCESS OPPOSITE HOLE



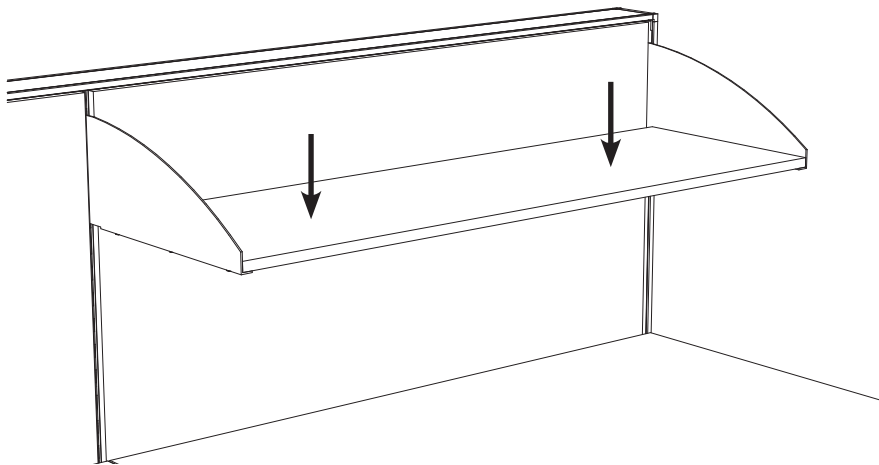
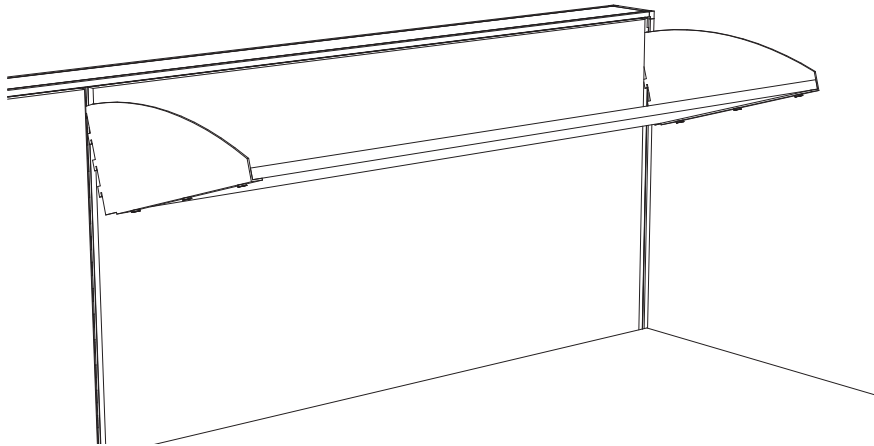
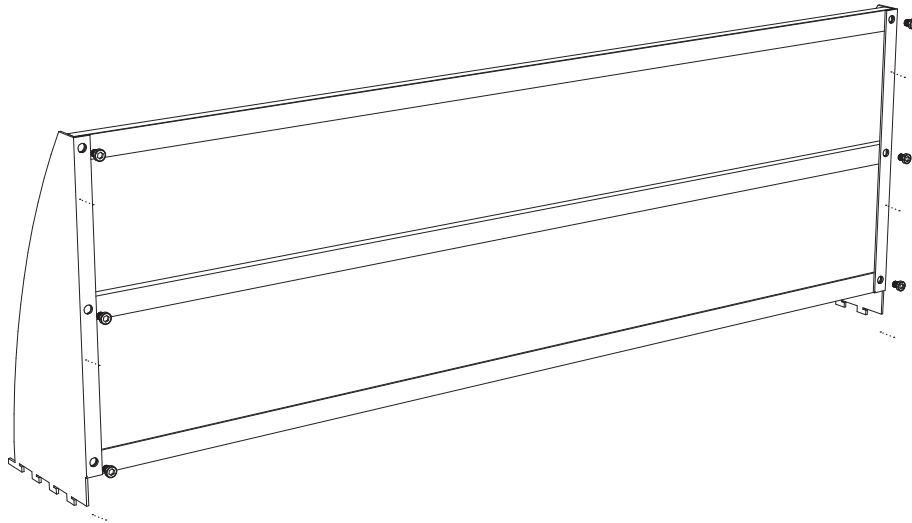
- CAREFULLY SLIDE GLASS IN STARTING AT ONE END

PARTS:

1. #10 x 2" Self-Tap Phillips Screw (Fig: 5.05)

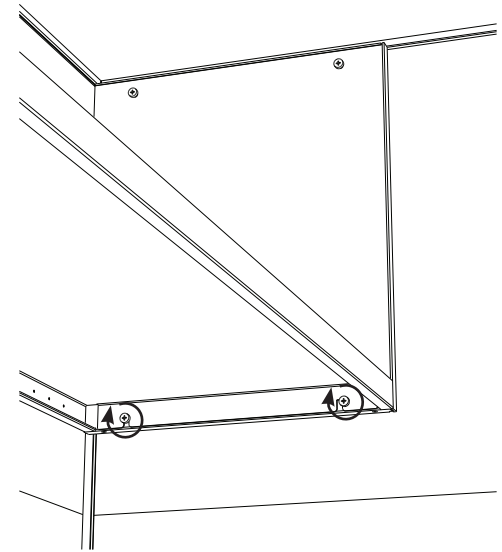
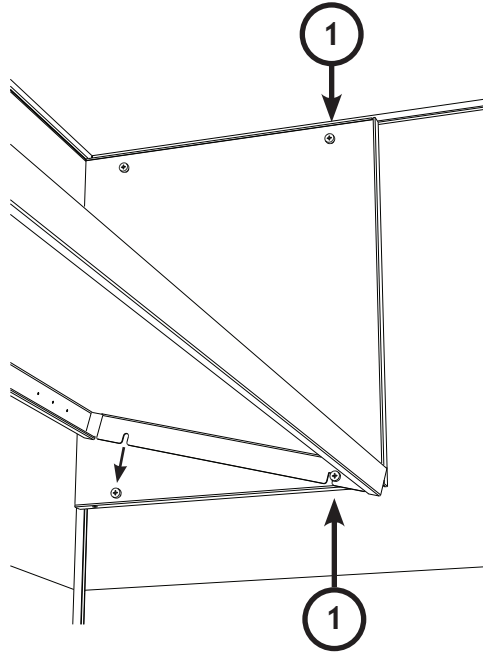
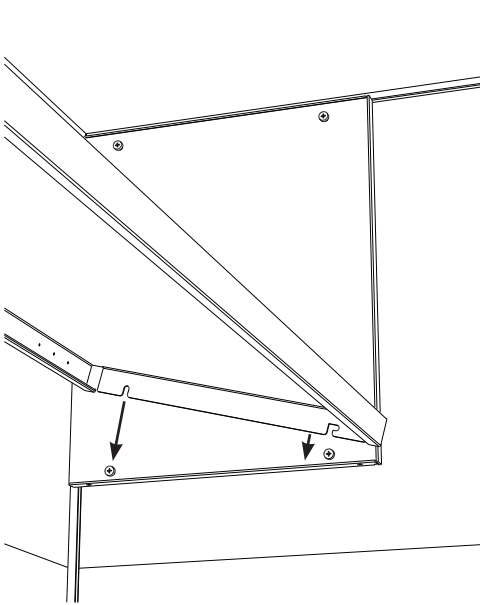
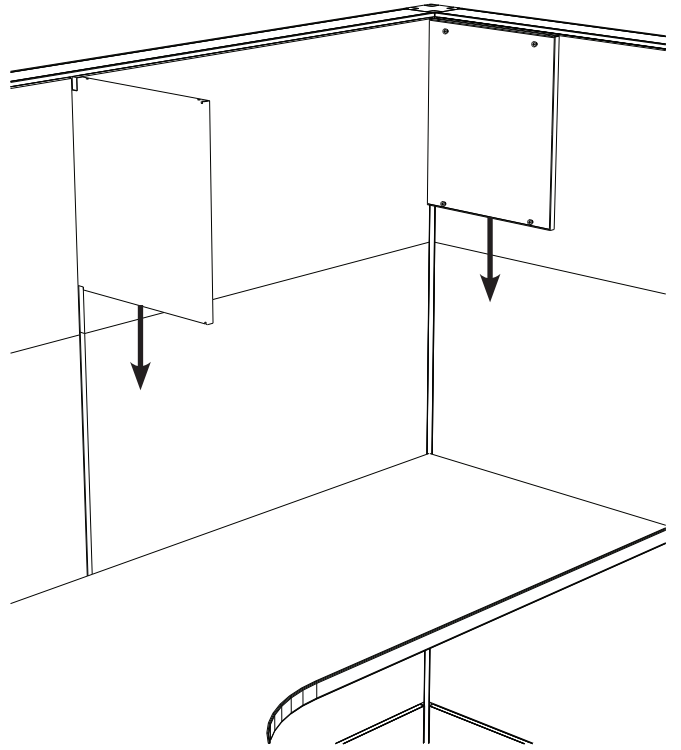
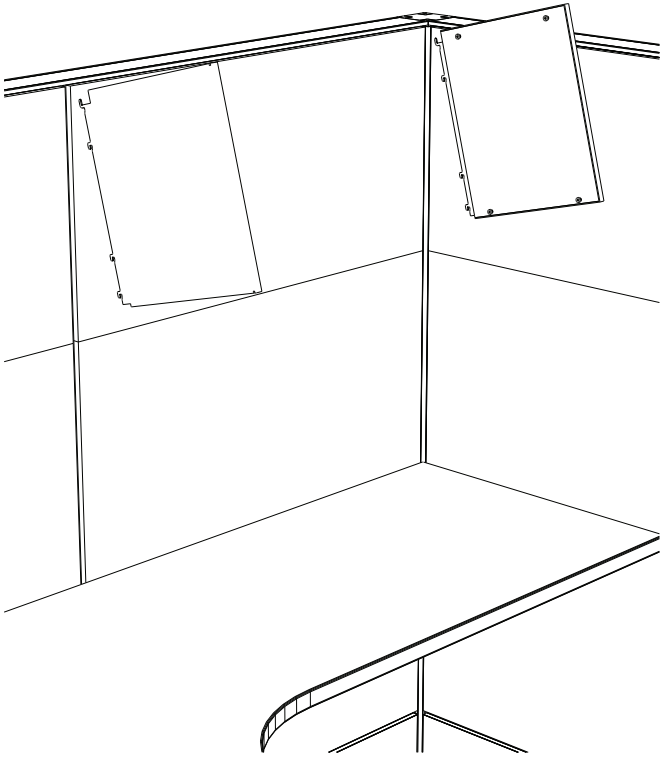
TIPS:

- PROTECT THE CORNERS OF THE GLASS AT ALL TIMES TO PREVENT CHIPPING
- USE EXTRA LONG DRILL BIT TO FIT BETWEEN FRAMELESS GLASS BRACKET



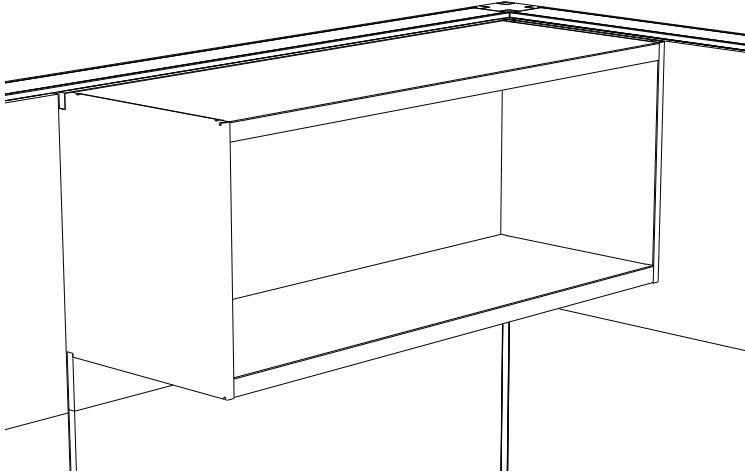
PARTS:

1. M6 x 12mm Socket Screw (Fig: 5.09)



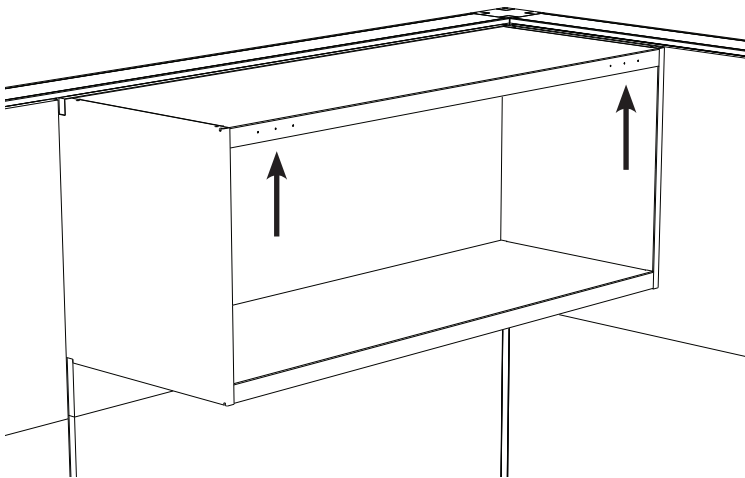
PARTS:

- 1. Pre-Mounted Phillips-Head Shelf End Screw

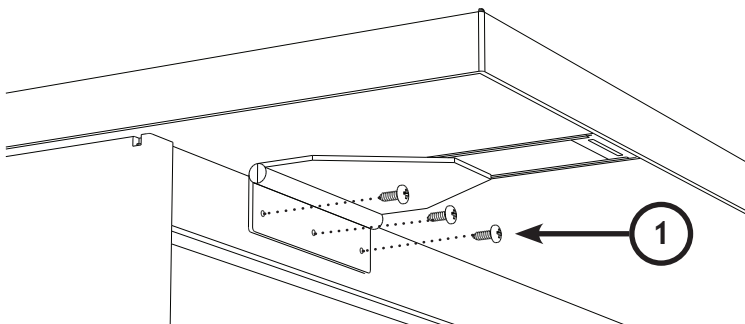
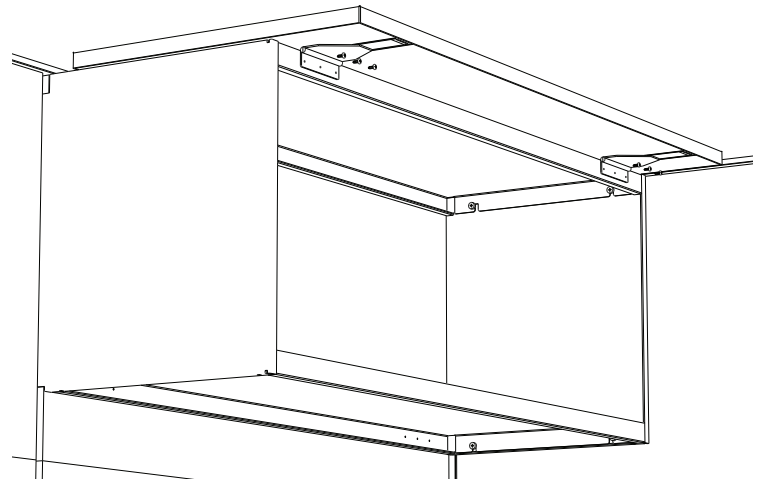


- HOLES ON SHELF PANS SHOULD BE AGAINST THE PANEL

FULL-HEIGHT SHELF W/ FLIPPER DOOR



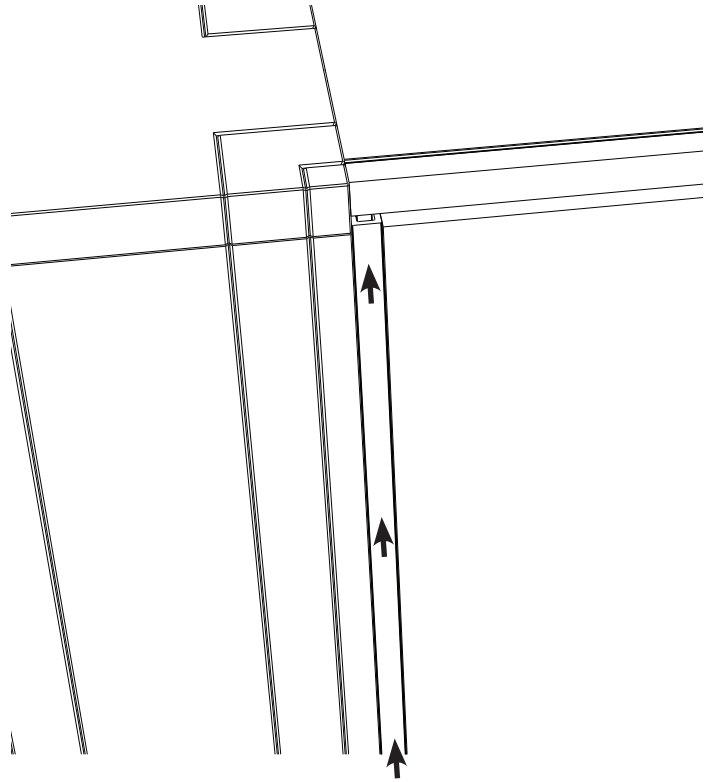
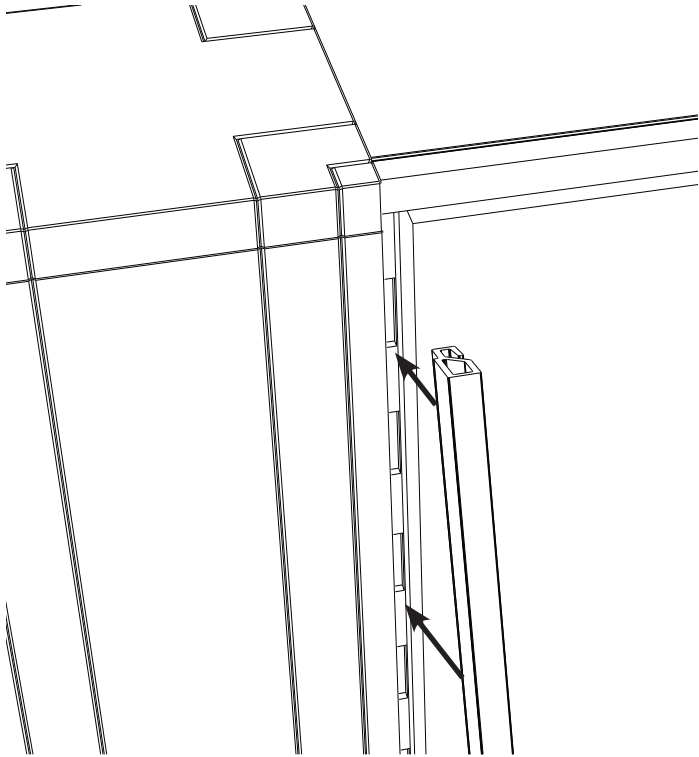
- HOLES ON SHELF PAN SHOULD BE ON THE OUTSIDE ON THE TOP ONLY



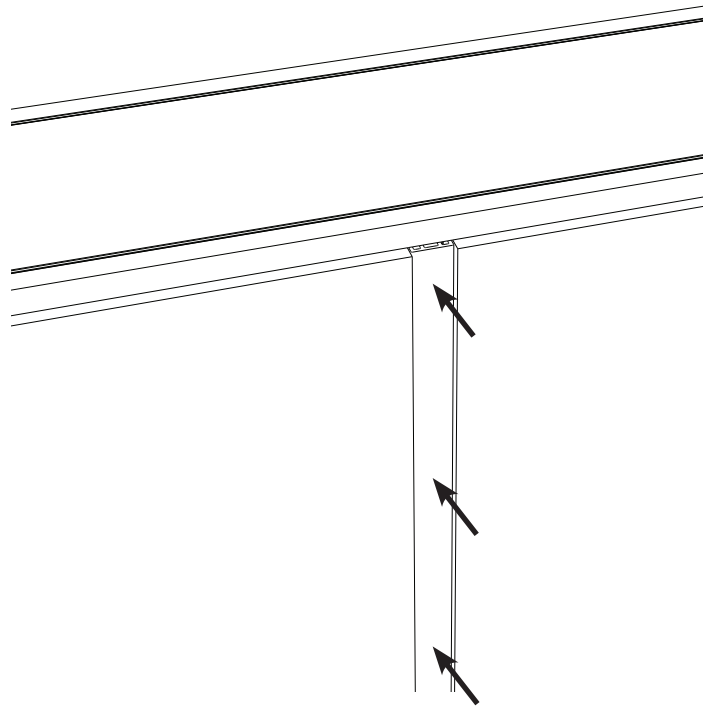
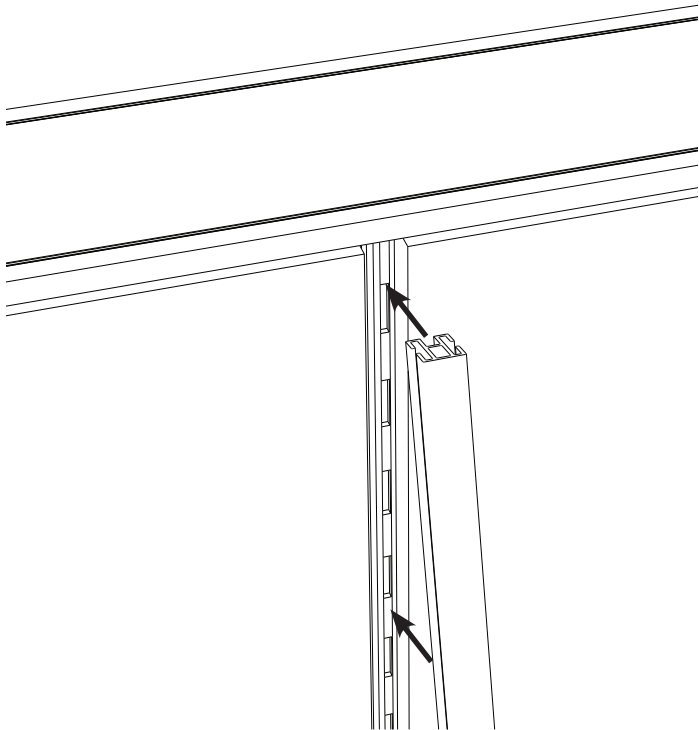
PARTS:

1. #8 x .625" PHILLIPS SCREW (Fig: 5.08)

SIDE TILE-TRIM



SHARED TILE-TRIM



WARNING:

- PLASTIC TILE TRIM WILL NEED TO BE CUT DOWN TO FIT ABOVE AND BELOW THE SURFACE

