



EZ **cube**

PRICE BOOK

	PAGE
FREIGHT POLICY	2
FINISH CODES	3
PANEL	4-6
CONNECTION POSTS	7-9
END TRIM	10-11
FRAMELESS GLASS	12-15
WORKSURFACES	16-31
WORKSURFACE SUPPORTS	32-37
STORAGE	38-39
ELECTRICAL	40-49
HEIGHT ADJUSTABLE	50
INDEX	52-54
TERMS & CONDITIONS	56

FOR HELP WITH DESIGN CONTACT:
DESIGN@RESY.NET

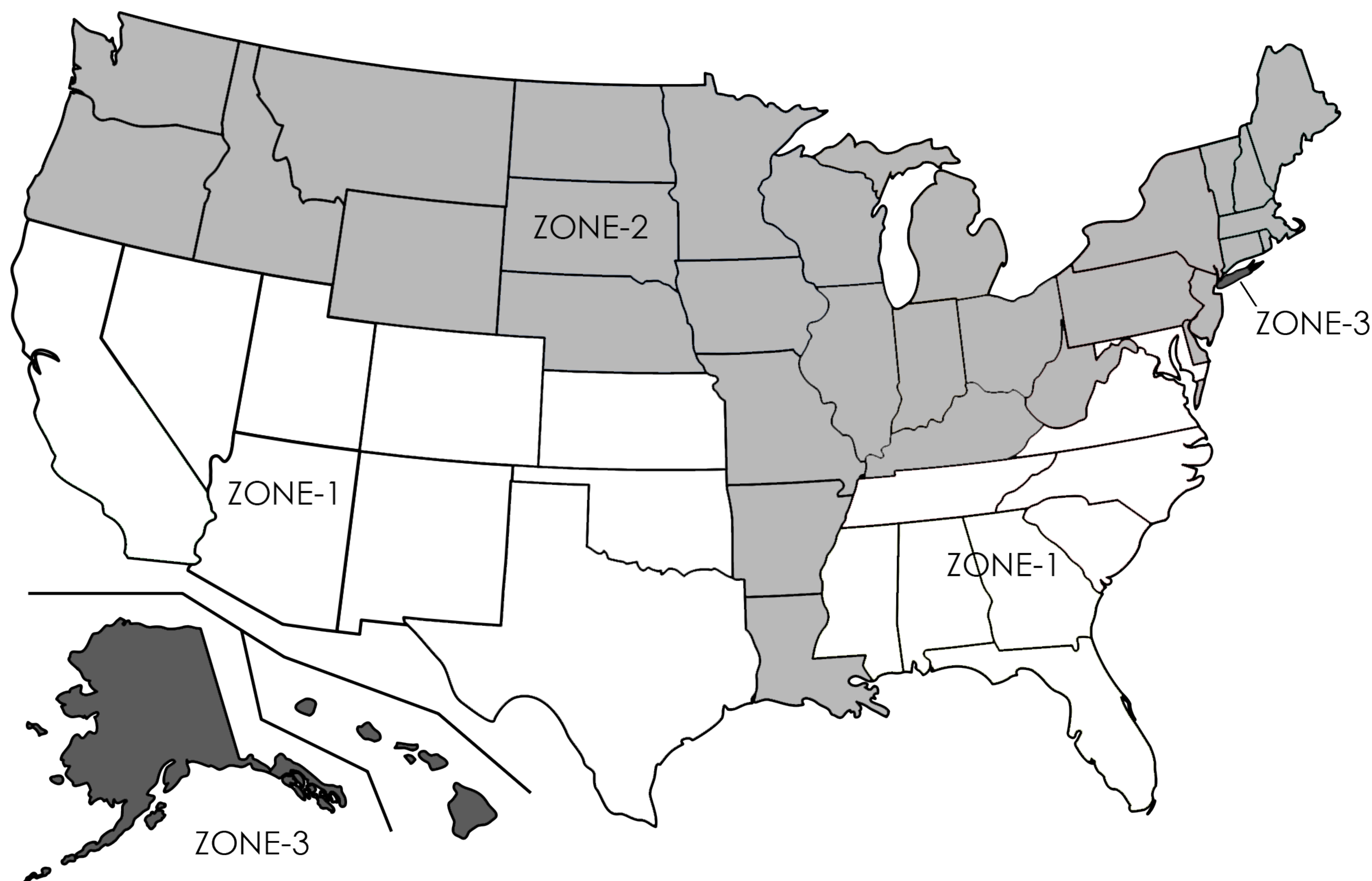
FOR HELP WITH ORDER ENTRY CONTACT:
CUSTOMERSERVICE@RESY.NET

RSI
235 S. 56TH ST.
CHANDLER, AZ 85226
800-280-5000

RSISYSTEMSFURNITURE.COM



FREIGHT POLICY



ZONE-1

TOTAL LIST PRICE	FREIGHT COST
\$0 - \$10,000	\$200
\$10,001 - \$25,000	10% OF ORDER (NET OF DISCOUNT)
\$25,001 - \$50,000	5% OF ORDER (NET OF DISCOUNT)
\$50,001 +	FREE FREIGHT

ZONE-2

TOTAL LIST PRICE	FREIGHT COST
\$0 - \$10,000	\$200
\$10,001 - \$25,000	15% OF ORDER (NET OF DISCOUNT)
\$25,001 - \$50,000	10% OF ORDER (NET OF DISCOUNT)
\$50,001 - \$100,000	5% OF ORDER (NET OF DISCOUNT)
\$100,001 +	FREE FREIGHT

ZONE-3

REQUEST QUOTE	CANADA, HAWAII, ALASKA, NEW YORK CITY, NY
---------------	---



FINISHES

PAINT

CODE	COLOR
SV	SILVER

FABRIC

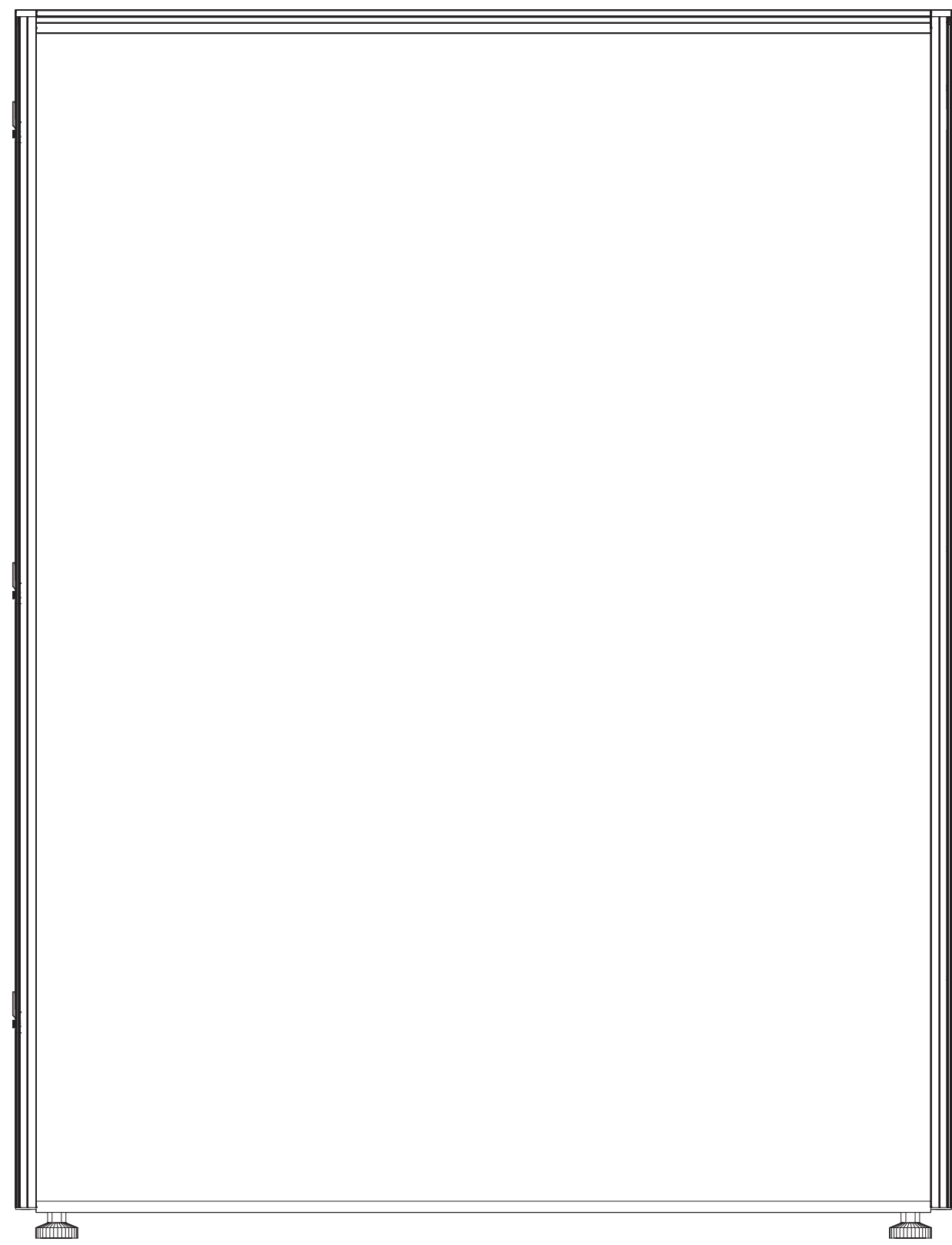
CODE	COLOR
01	NICKEL

LAMINATE

EDGE	COLOR
CWH	WHITE
MW	MODERN WALNUT
GC	GREY CYPRESS



X1 PANELS



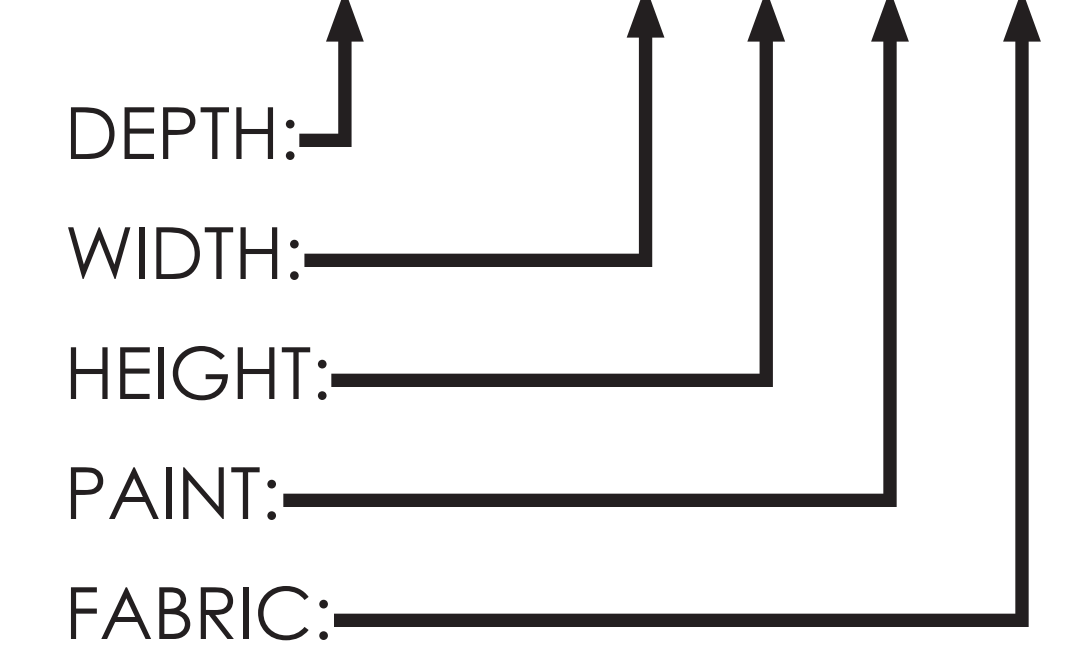
FEATURES:

- QUICK CONNECT INSTALLATION
- FULLY ASSEMBLED WHEN SHIPPED

TO ORDER, SPECIFY:

- PART NUMBER / SIZE
- PAINT COLOR
- FABRIC

PART: X1-PNL-24-47-SV-01



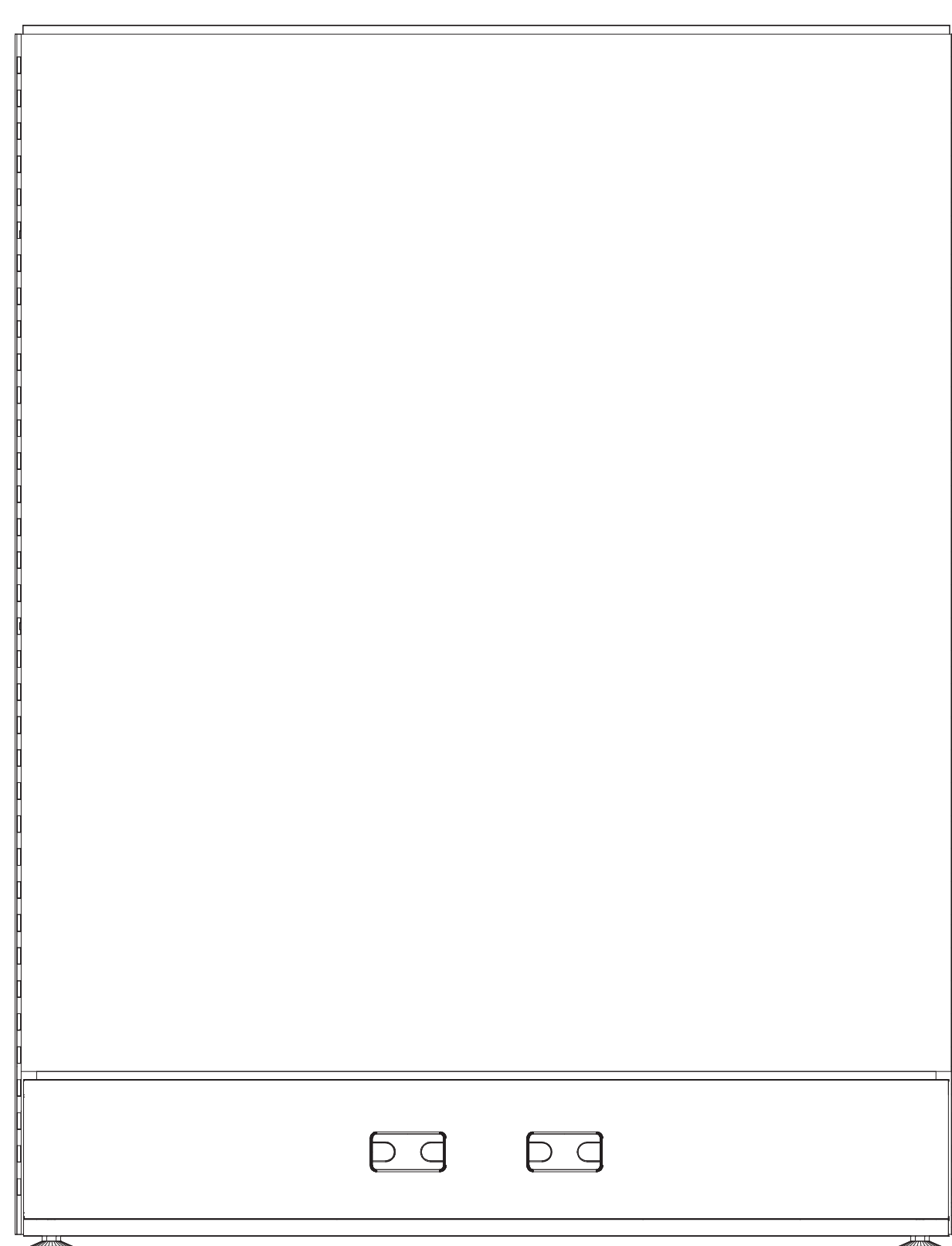
HEIGHT	WIDTH	DEPTH	PART NUMBER	LIST PRICE
47.25"	24"	1.25"	X1-PNL-24-47-?-?	\$235
47.25"	30"	1.25"	X1-PNL-30-47-?-?	\$275
47.25"	36"	1.25"	X1-PNL-36-47-?-?	\$315

NOTES:

- END TRIM SPECIFIED SEPARATELY. **SEE PAGE-10**
- **PANELS DO NOT CARRY POWER / DATA**



X3 PANELS



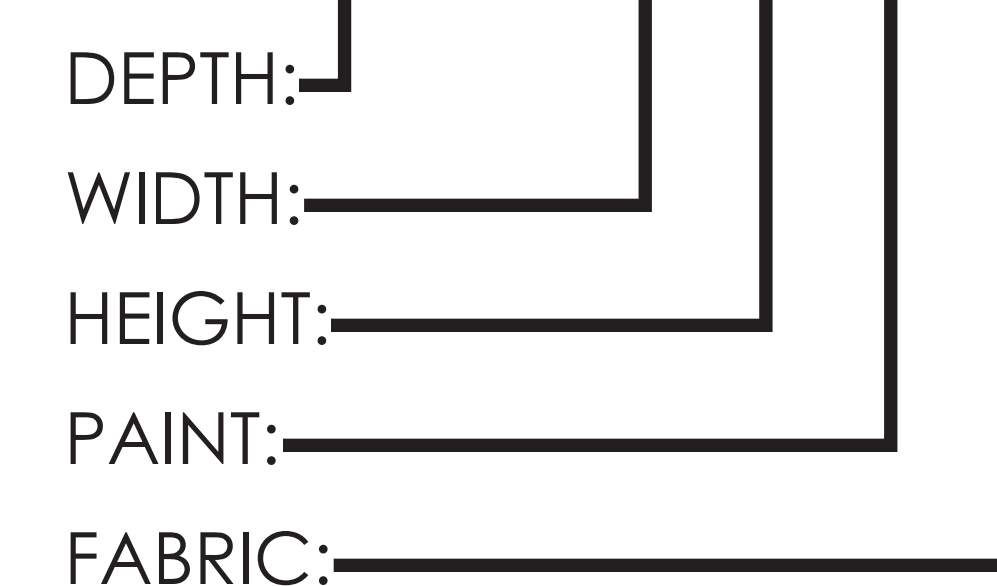
FEATURES:

- RECEPTACLE CAPS W/ DATA KNOCKOUTS
- ALUMINUM BASEPLATE
- PRE-MOUNTED HOOKS FOR POWER BLOCKS

TO ORDER, SPECIFY:

- PART NUMBER / SIZE
- PAINT COLOR
- FABRIC

PART: X3-PNL-24-47-SV-01



HEIGHT	WIDTH	DEPTH	PART NUMBER	LIST PRICE
47.25"	24"	3.25"	X3-PNL-24-47-?-?	\$465
47.25"	30"	3.25"	X3-PNL-30-47-?-?	\$550
47.25"	36"	3.25"	X3-PNL-36-47-?-?	\$635

NOTES:

- TOP CAPS SPECIFIED SEPARATELY. **SEE PAGE-6**
- POWER SPECIFIED SEPARATELY. **SEE PAGE-40**
- END TRIM SPECIFIED SEPARATELY. **SEE PAGE-10**



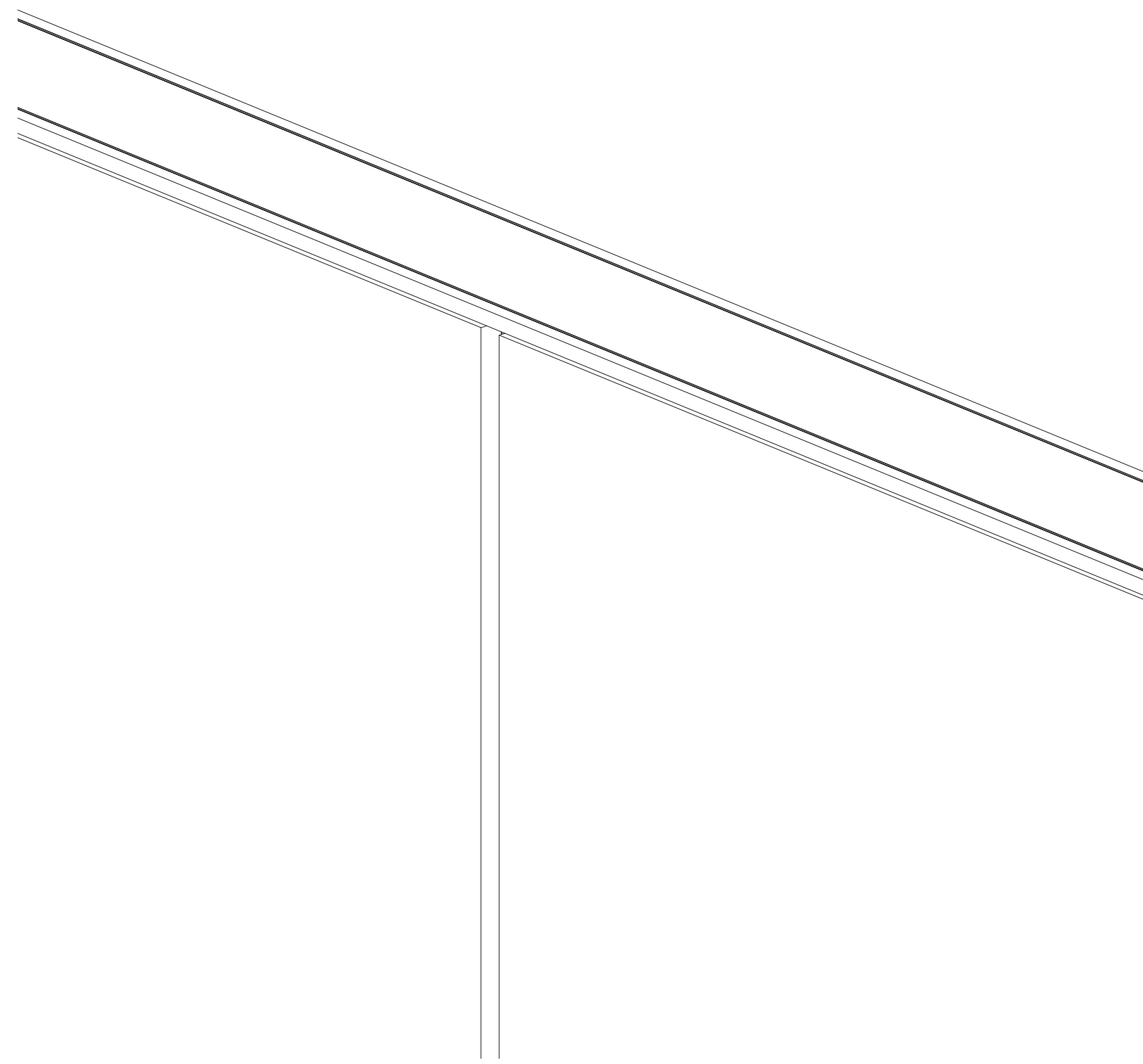
X3 TOP CAPS

FEATURES:

- ABILITY TO SPAN MULTIPLE PANELS

TO ORDER, SPECIFY:

- PART NUMBER
- LENGTH
- COLOR



PART: X3-TC-24-SV

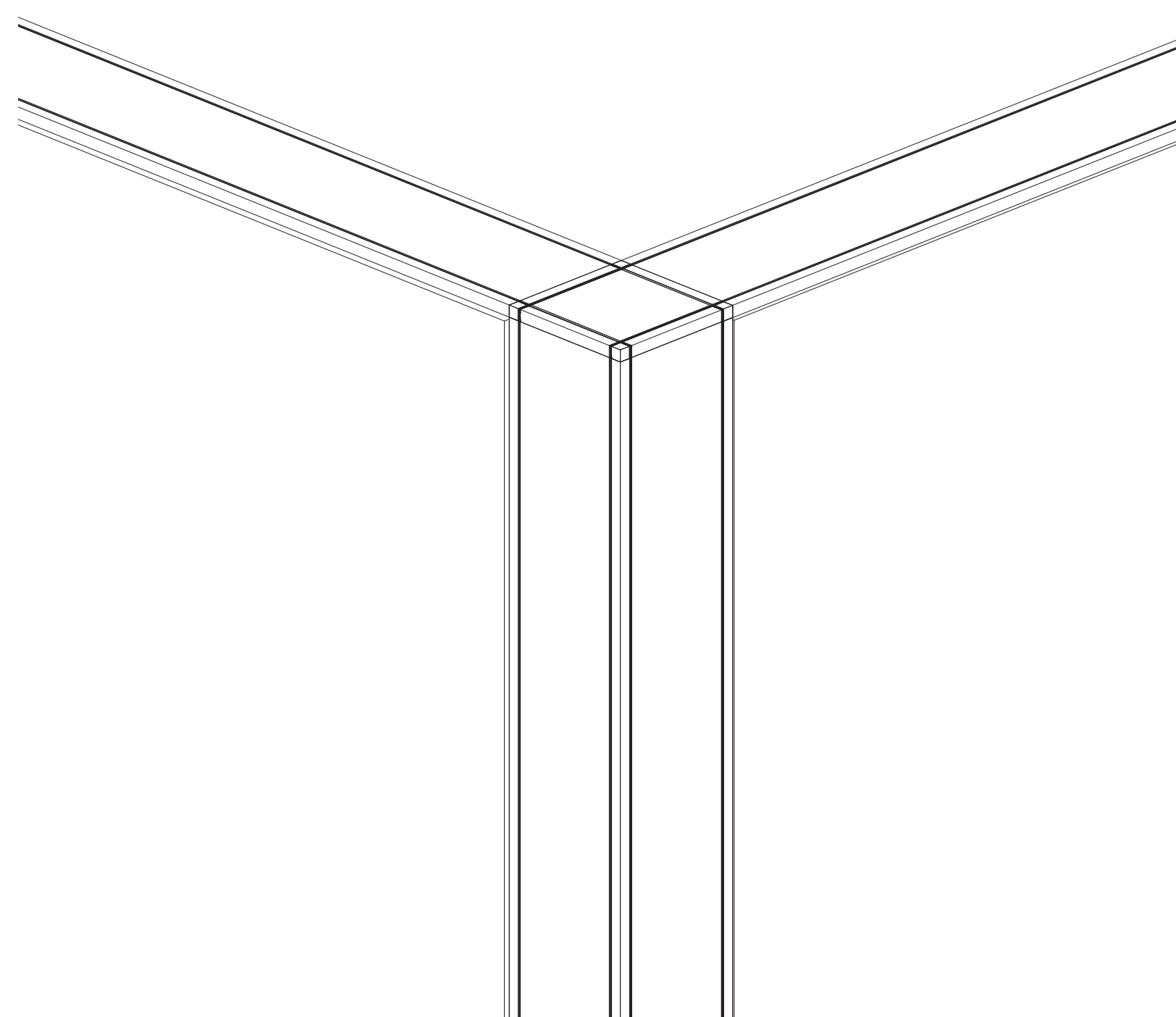
LENGTH: 

COLOR: 

LENGTH	PART NUMBER	LIST PRICE
24"	X3-TC-24-?	\$30
30"	X3-TC-30-?	\$30
36"	X3-TC-36-?	\$30
42"	X3-TC-42-?	\$30
48"	X3-TC-48-?	\$30
54"	X3-TC-54-?	\$60
60"	X3-TC-60-?	\$60
66"	X3-TC-66-?	\$60
72"	X3-TC-72-?	\$40
78"	X3-TC-78-?	\$60
84"	X3-TC-84-?	\$60
90"	X3-TC-90-?	\$60
96"	X3-TC-96-?	\$60



X3 CONNECTION POSTS



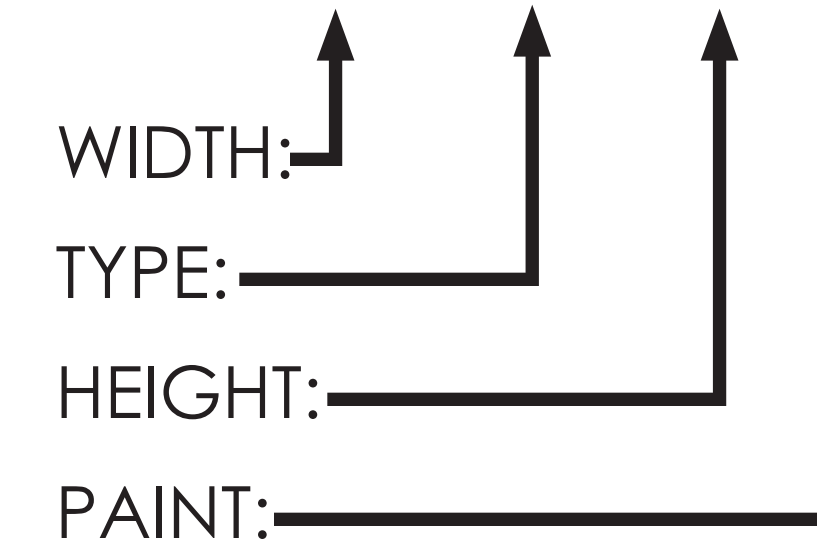
FEATURES:

- MOUNTING HARDWARE INCLUDED
- SIDE TILE STRIPS INCLUDED

TO ORDER, SPECIFY:

- TYPE
- HEIGHT
- PAINT COLOR

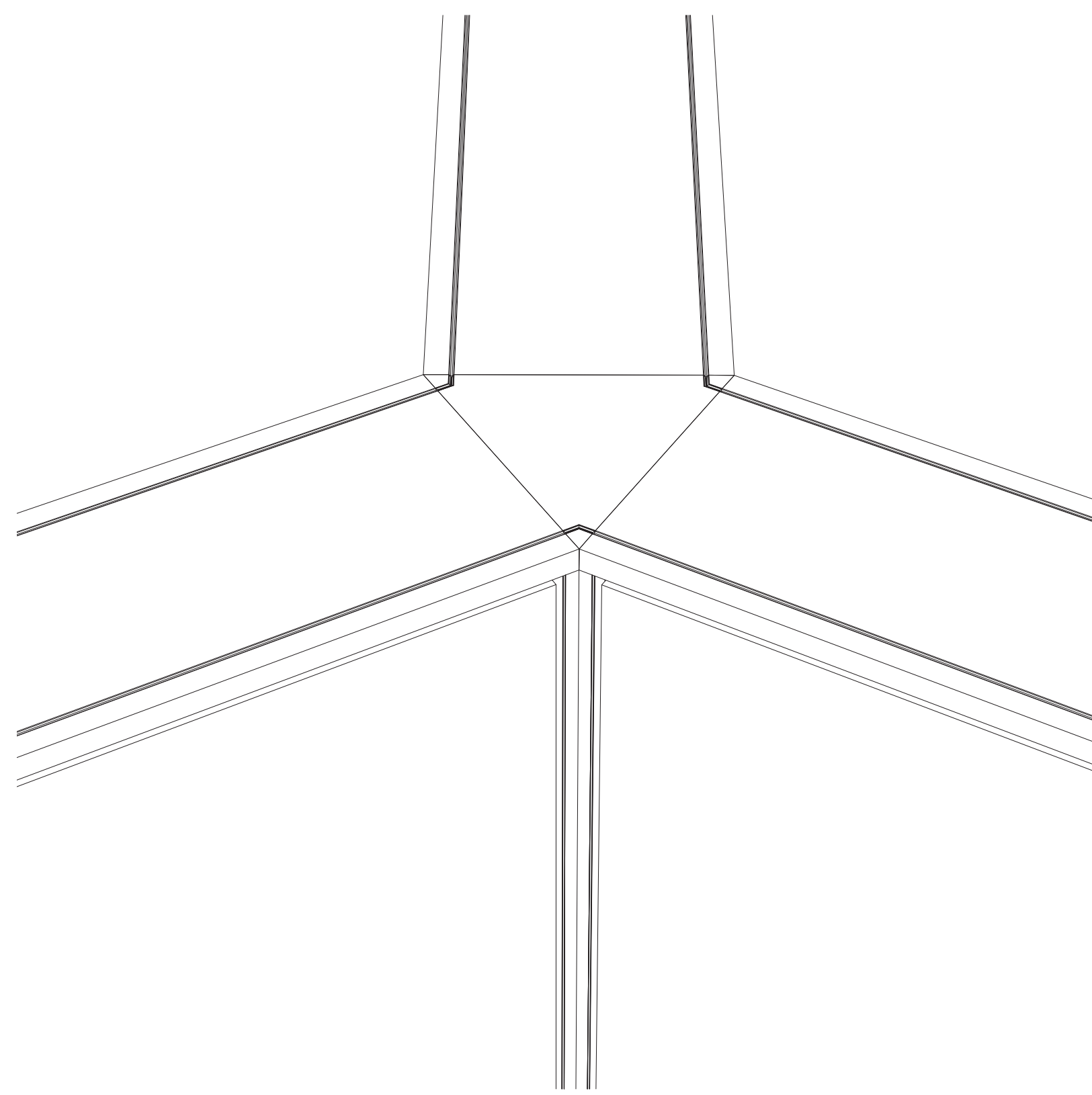
PART: X3-2WAY-47-SV



TYPE	HEIGHT	WIDTH	PART NUMBER	LIST PRICE
2-WAY	47.25"	3.25" (SHOWN ABOVE)	X3-2WAY-47-?	\$135
3-WAY	47.25"	3.25"	X3-3WAY-47-?	\$140
4-WAY	47.25"	3.25"	X3-4WAY-47-?	\$145



X3 120 DEGREE CONNECTION POST



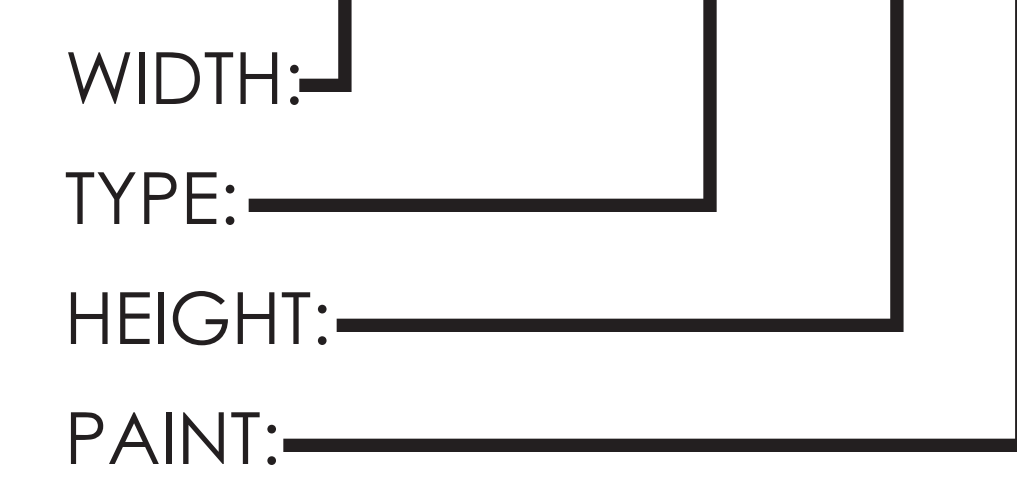
FEATURES:

- MOUNTING HARDWARE INCLUDED
- SIDE TILE STRIPS INCLUDED

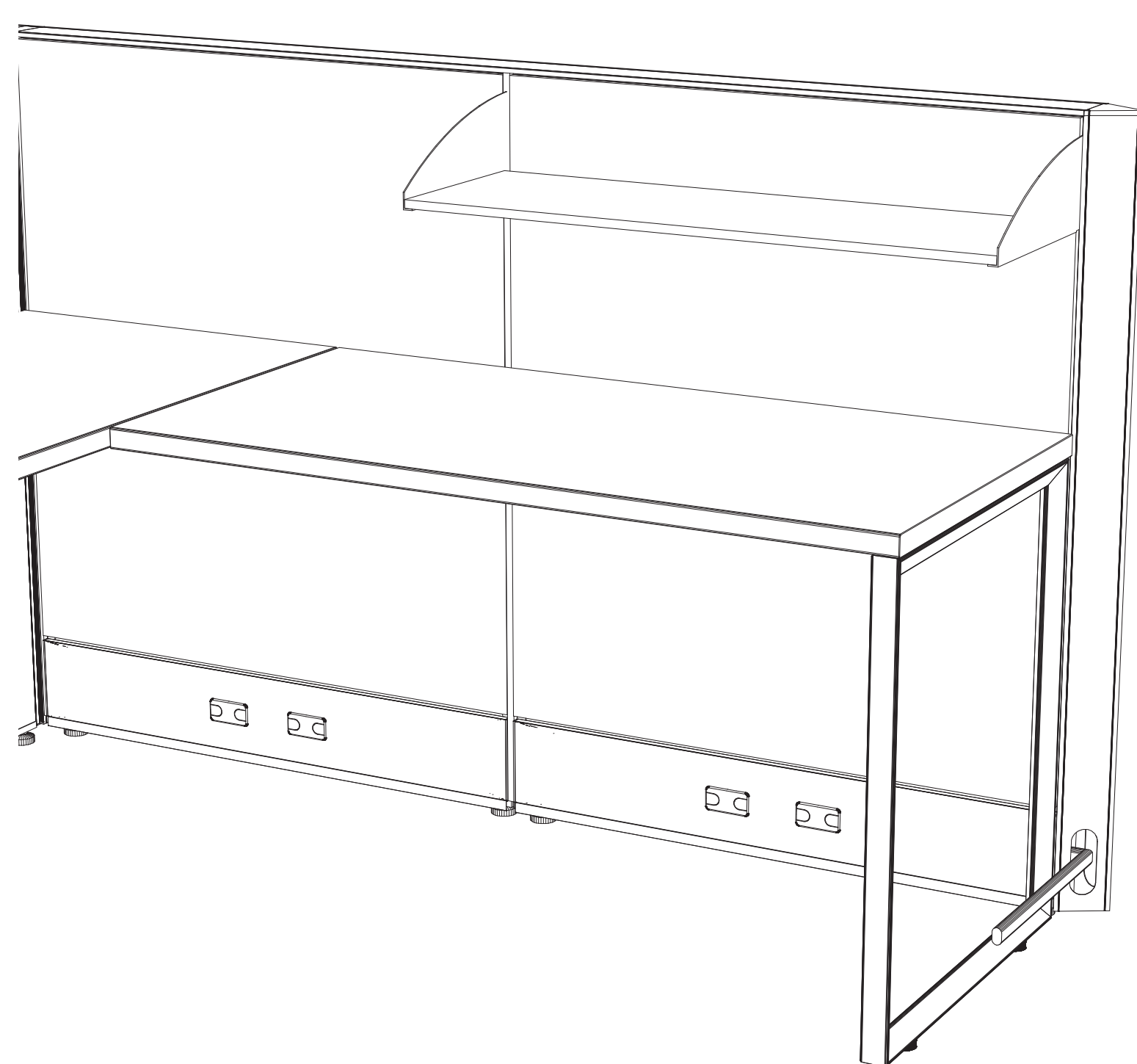
TO ORDER, SPECIFY:

- TYPE
- HEIGHT
- PAINT COLOR

PART: X3-120-2WAY-47-SV



TYPE	HEIGHT	WIDTH	PART NUMBER	LIST PRICE
2-WAY	47.25"	3.25"	X3-120-2WAY-47-?	\$90
3-WAY	47.25"	3.25" (SHOWN ABOVE)	X3-120-3WAY-47-?	\$95
1-WAY	47.25"	3.25" (SHOWN BELOW)	X3-120-EOR-47-?	\$85

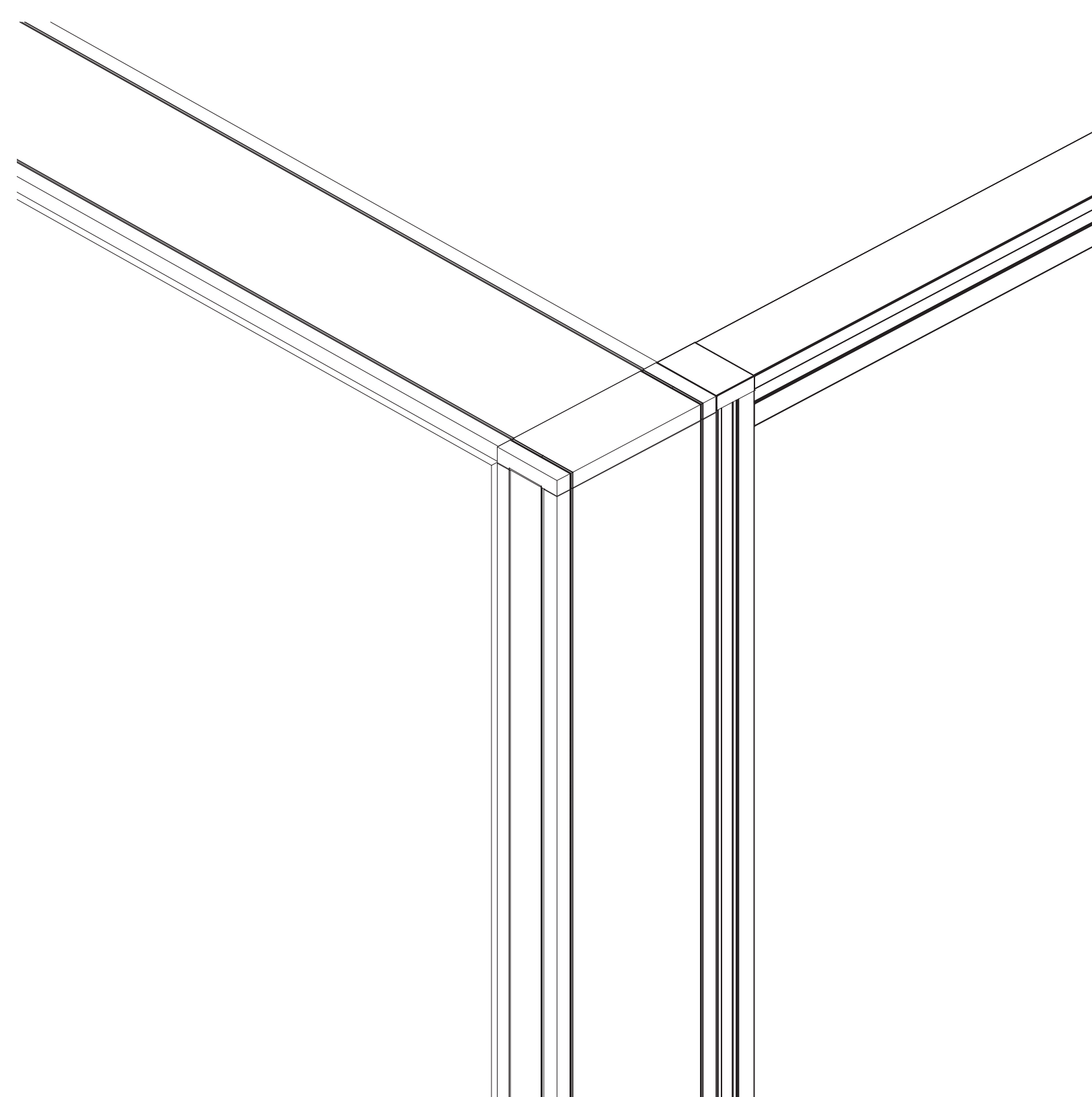


NOTES:

- 1-WAY 120 DEGREE POLE IS USED AT THE END OF A RUN TO BRING POWER IN OFF OF A WALL.



X31 CONNECTION POST



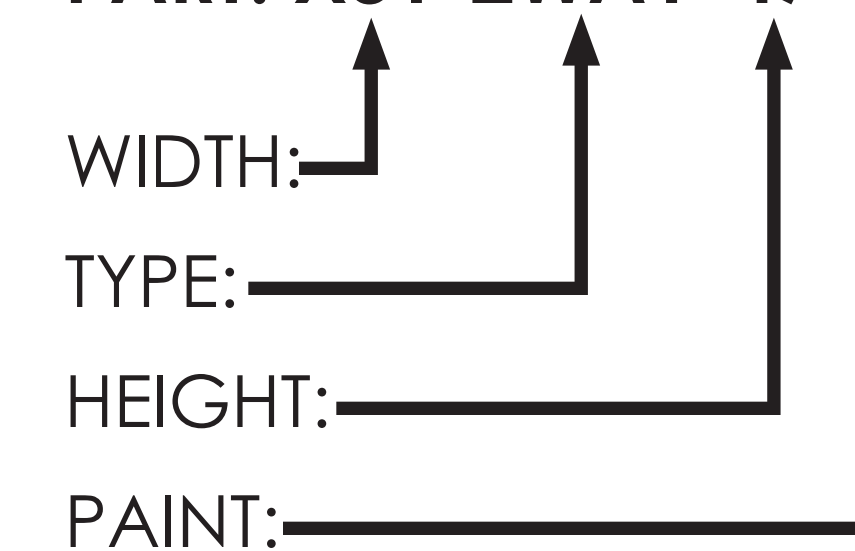
FEATURES:

- MOUNTING HARDWARE INCLUDED
- CONNECTS X1 AND X3 PANELS TOGETHER

TO ORDER, SPECIFY:

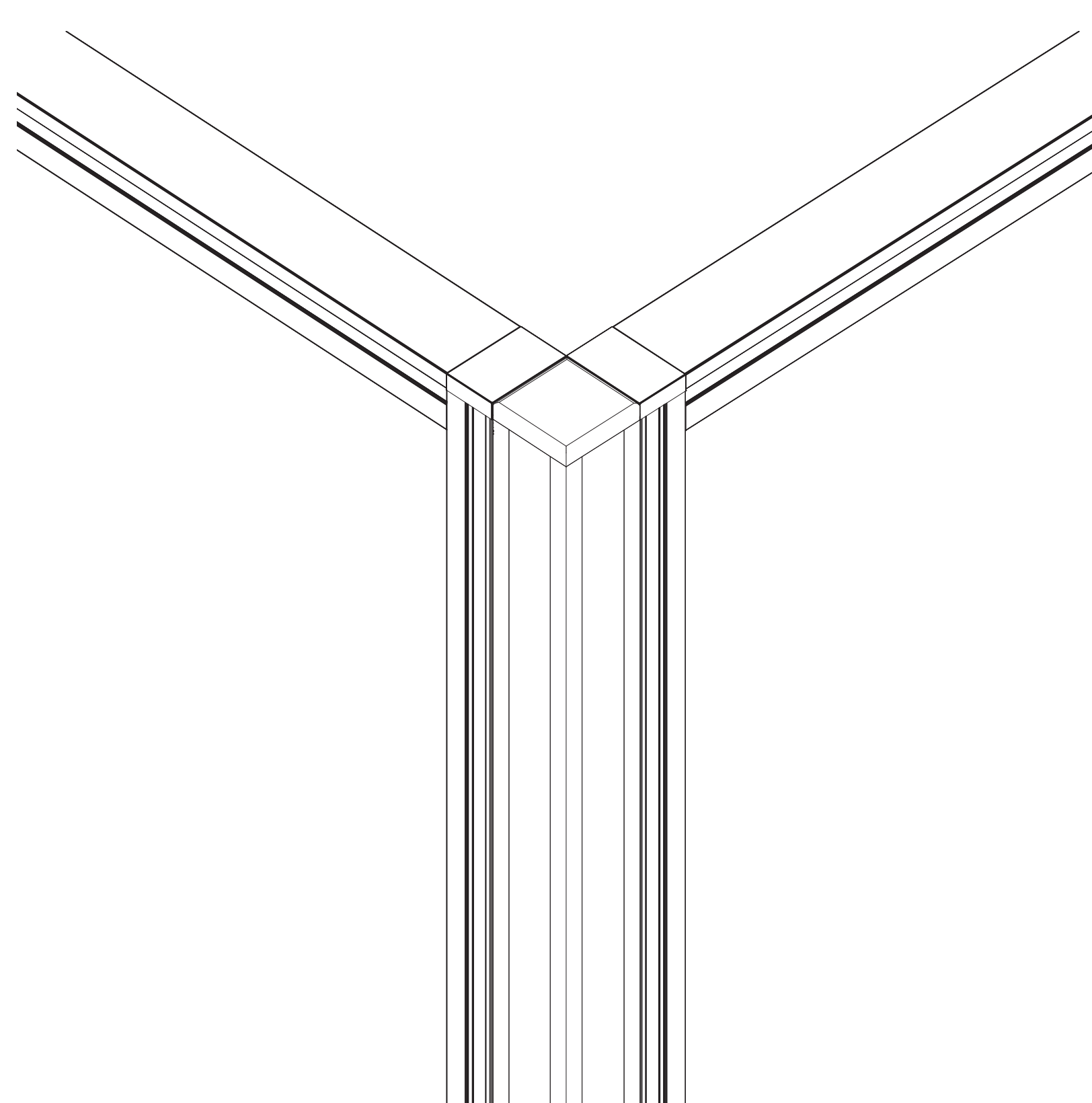
- DEPTH
- TYPE
- HEIGHT
- PAINT COLOR

PART: X31-2WAY-47-SV



TYPE	HEIGHT	WIDTH	PART NUMBER	LIST PRICE
2-WAY	47.25"	3.25" / 1.25" (SHOWN ABOVE)	X31-2WAY-47-?	\$95
3-WAY	47.25"	3.25" / 1.25"	X31-3WAY-47-?	\$95
3-WAY W/ END TRIM	47.25"	3.25" / 1.25"	X31-3WAY-ET-47-?	\$95
4-WAY	47.25"	3.25" / 1.25"	X31-4WAY-47-?	\$95

X1 CONNECTION POST



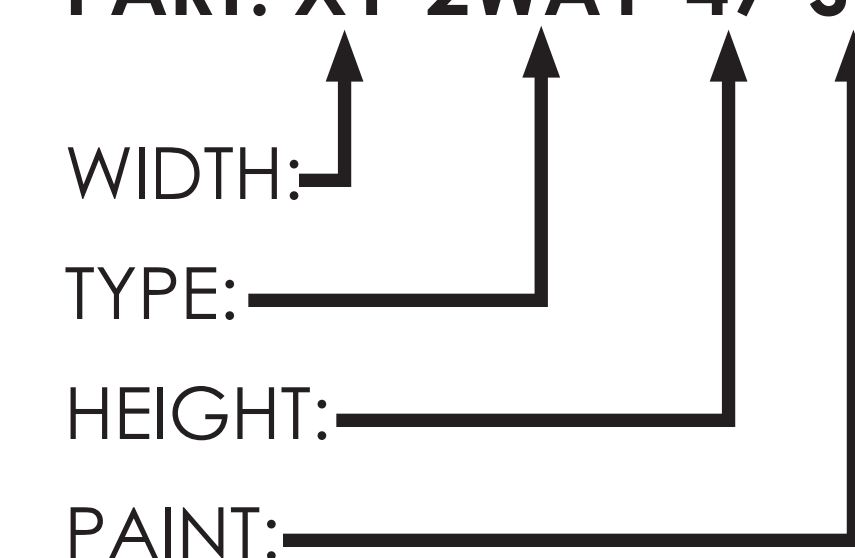
FEATURES:

- MOUNTING HARDWARE INCLUDED
- EXTRA LOCKING BRACKET(S) INCLUDED

TO ORDER, SPECIFY:

- TYPE
- HEIGHT
- PAINT COLOR

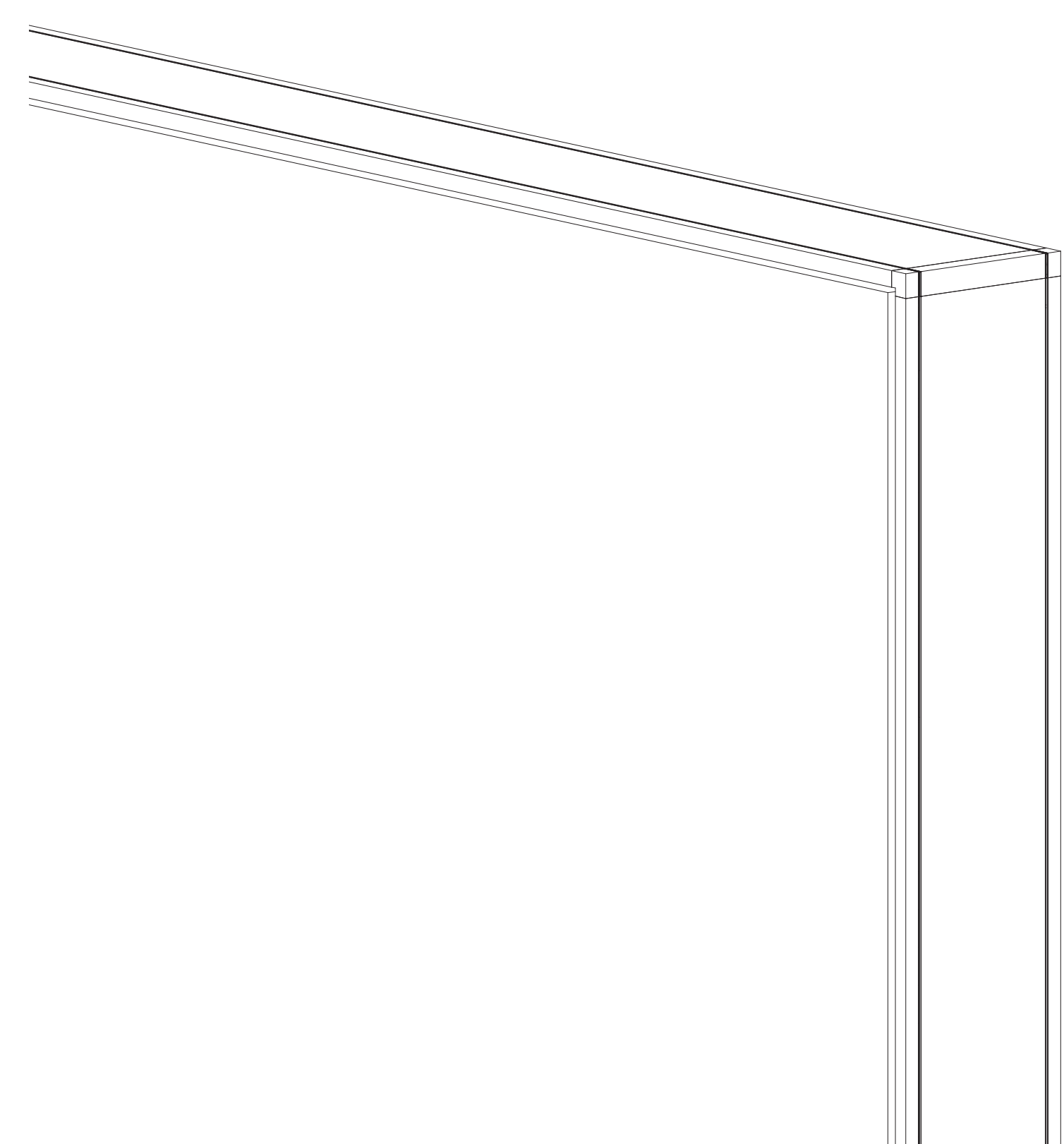
PART: X1-2WAY-47-SV



TYPE	HEIGHT	WIDTH	PART NUMBER	LIST PRICE
2-WAY	47.25"	1.25"	X1-2WAY-47-?	\$70
3-WAY	47.25"	1.25"	X1-3WAY-47-?	\$80
4-WAY	47.25"	1.25"	X1-4WAY-47-?	\$90



X3 PANEL END TRIM



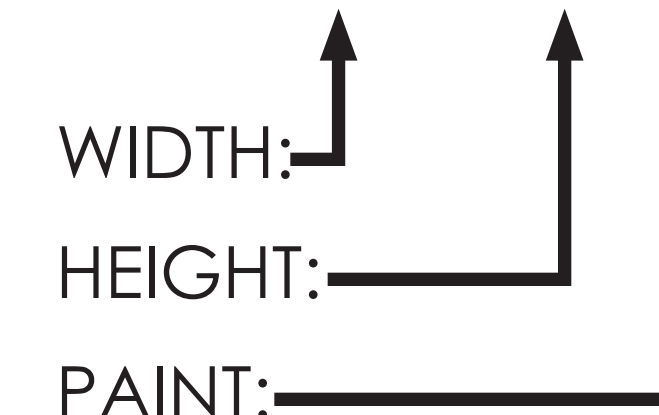
FEATURES:

- MOUNTING HARDWARE INCLUDED

TO ORDER, SPECIFY:

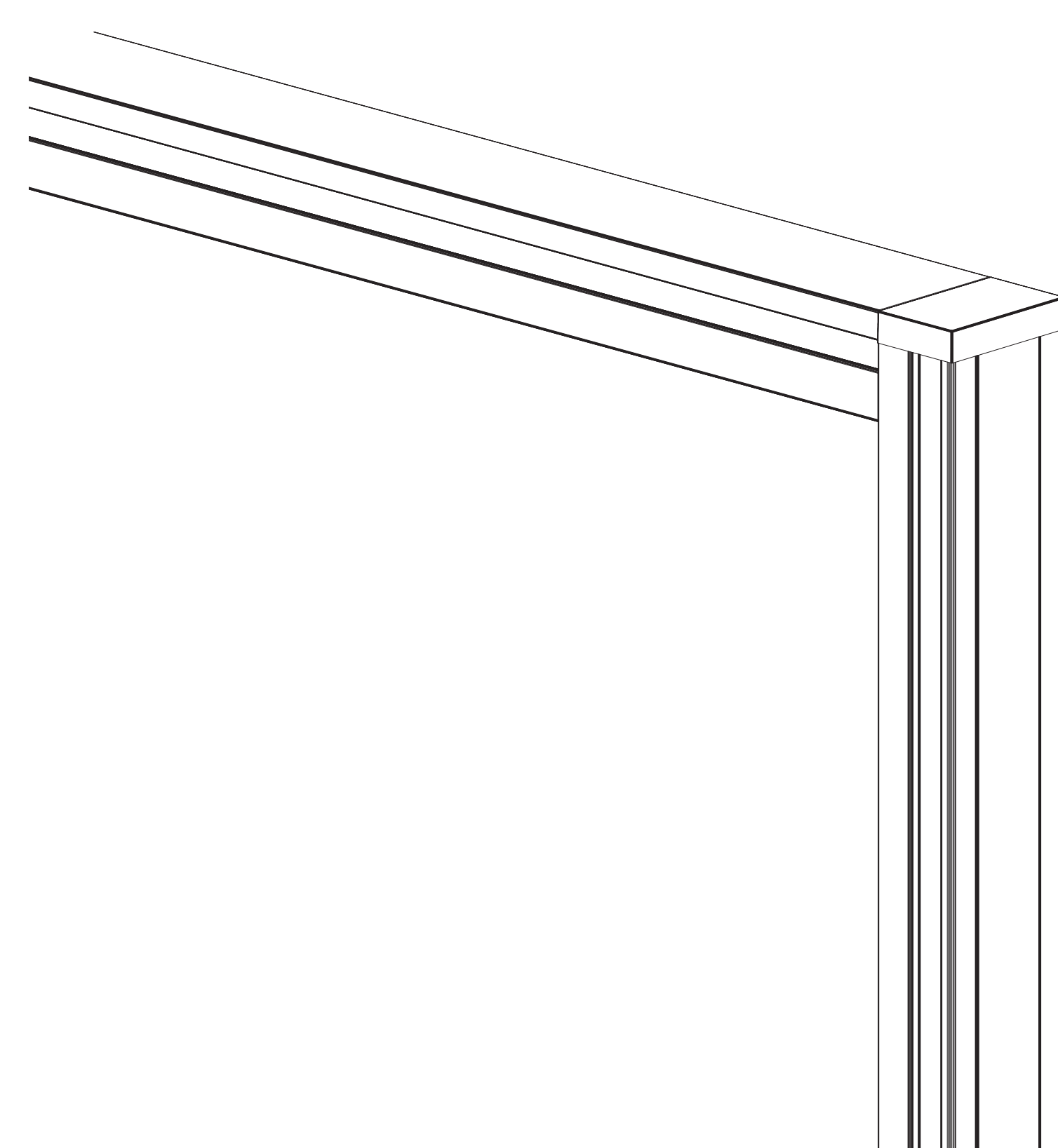
- DEPTH
- HEIGHT
- PAINT COLOR

PART: X3-ET-47-SV



HEIGHT	WIDTH	PART NUMBER	LIST PRICE
47.25"	3.25"	X3-ET-47-?	\$40

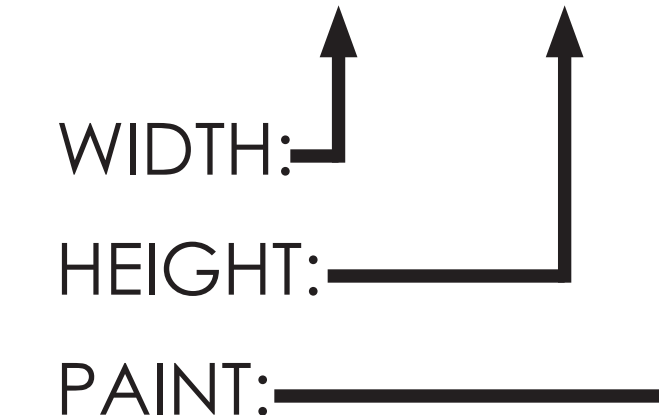
X1 PANEL END TRIM



TO ORDER, SPECIFY:

- PART NUMBER / SIZE
- PAINT COLOR

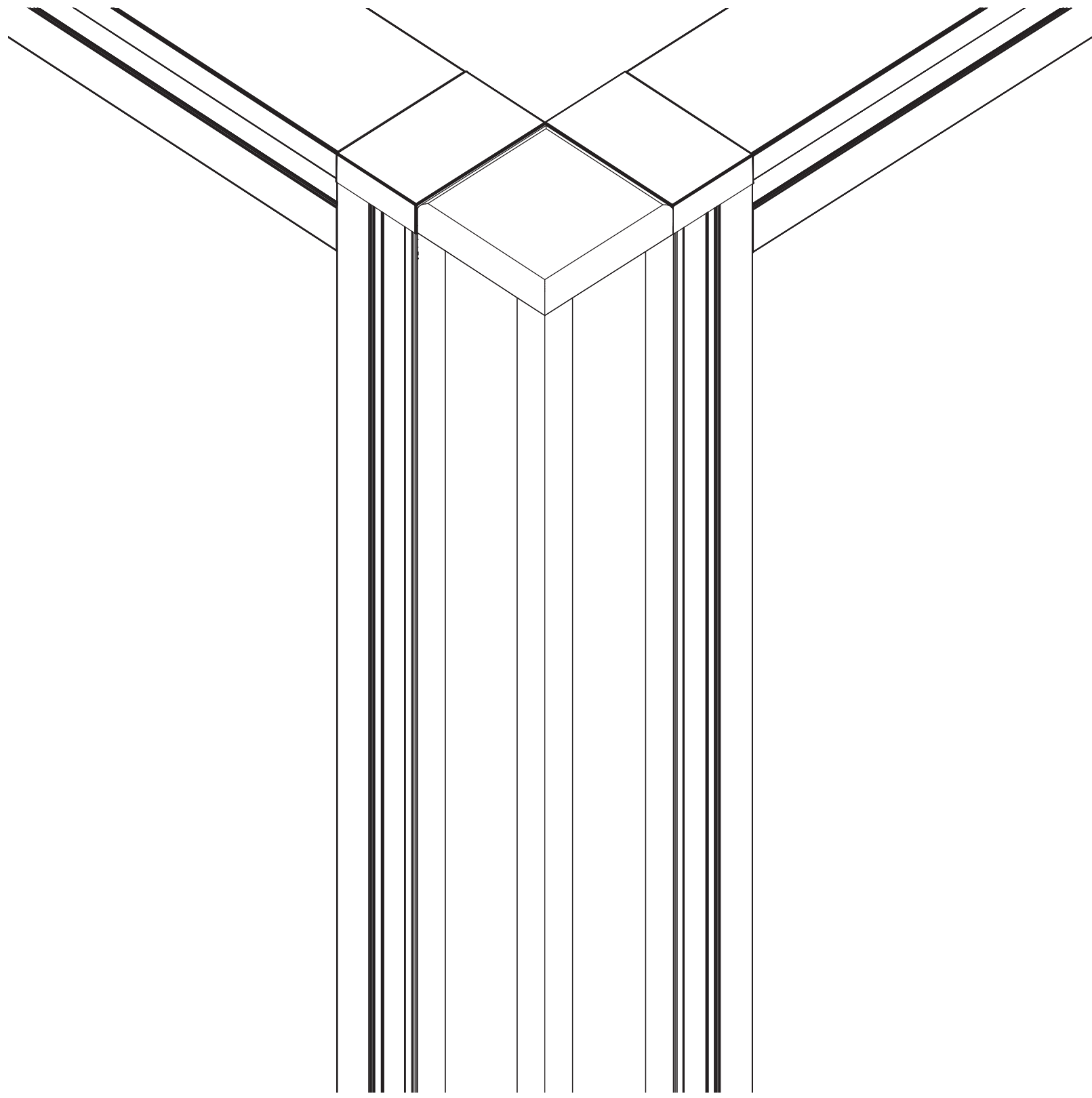
PART: X1-ET-47-SV



HEIGHT	WIDTH	PART NUMBER	LIST PRICE
47.25"	1.25"	X1-ET-47-?	\$5



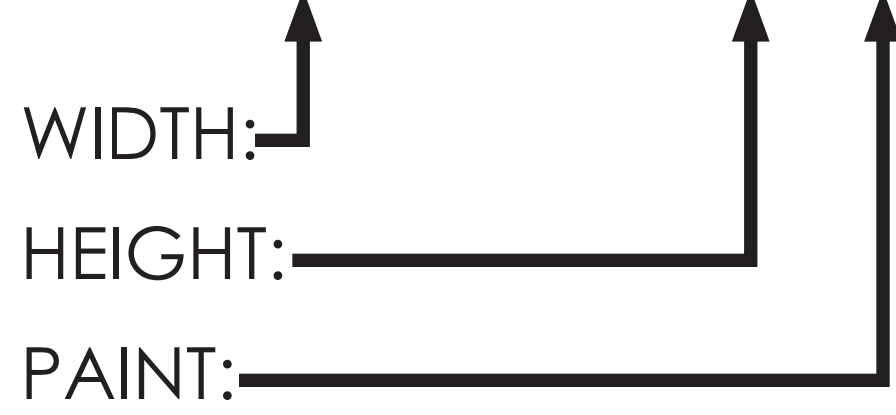
X1 POST END TRIM



TO ORDER, SPECIFY:

- DEPTH
- HEIGHT
- PAINT COLOR

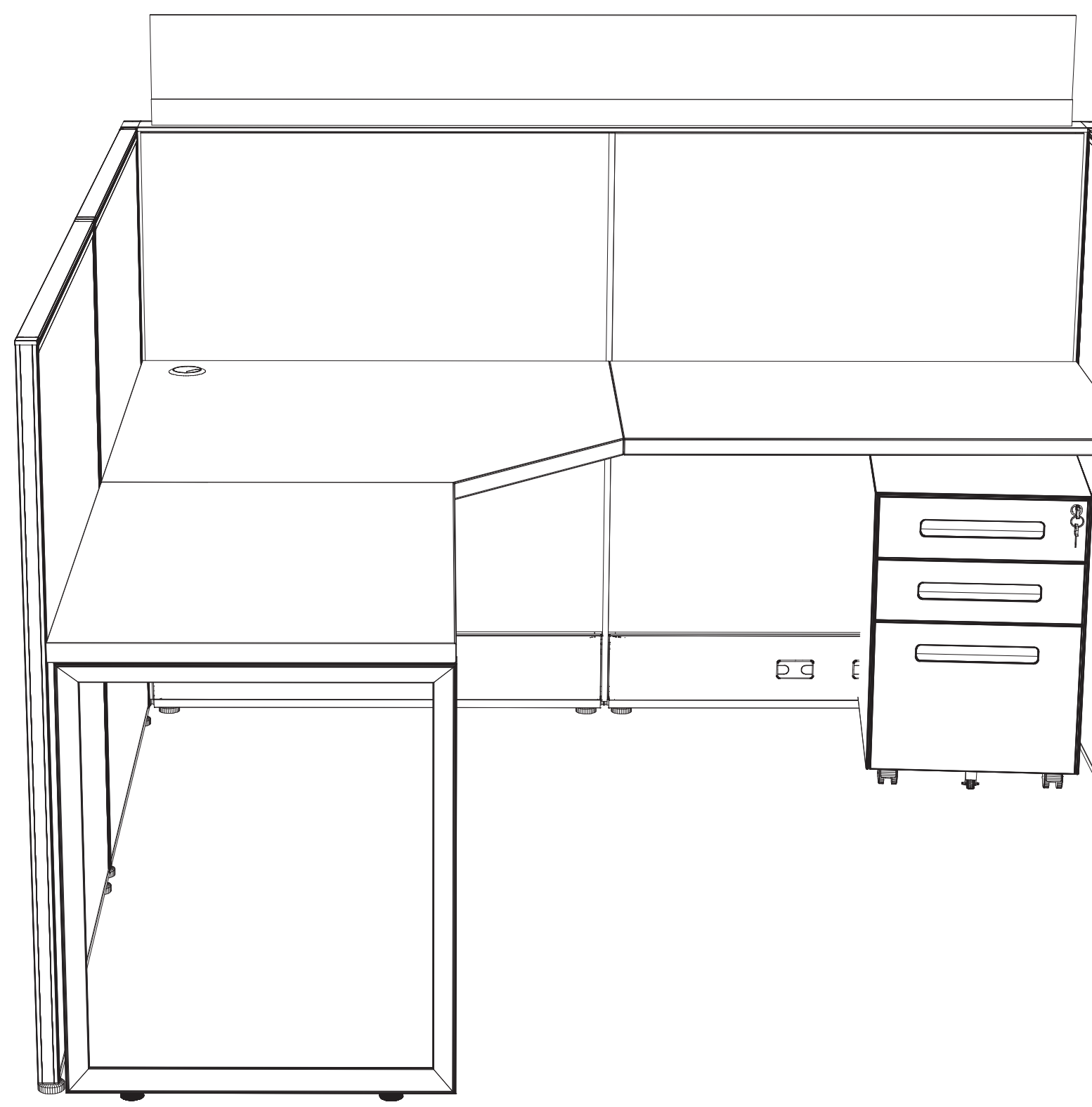
PART: X1-POST-ET-47-SV



HEIGHT	WIDTH	PART NUMBER	LIST PRICE
47.25"	1.25"	X1-POST-ET-47-?	\$5



8" CLEAR FRAMELESS GLASS



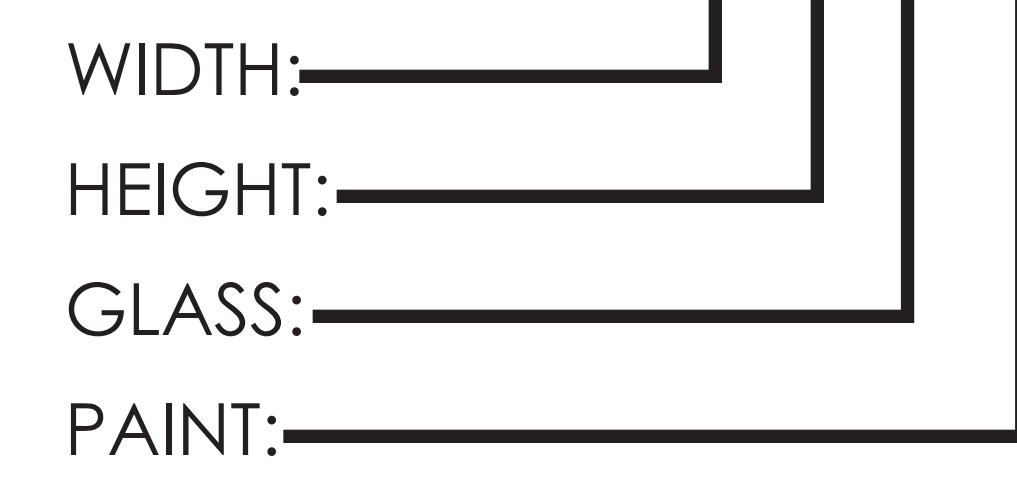
FEATURES:

- MOUNTING HARDWARE INCLUDED

TO ORDER, SPECIFY:

- WIDTH
- HEIGHT
- GLASS

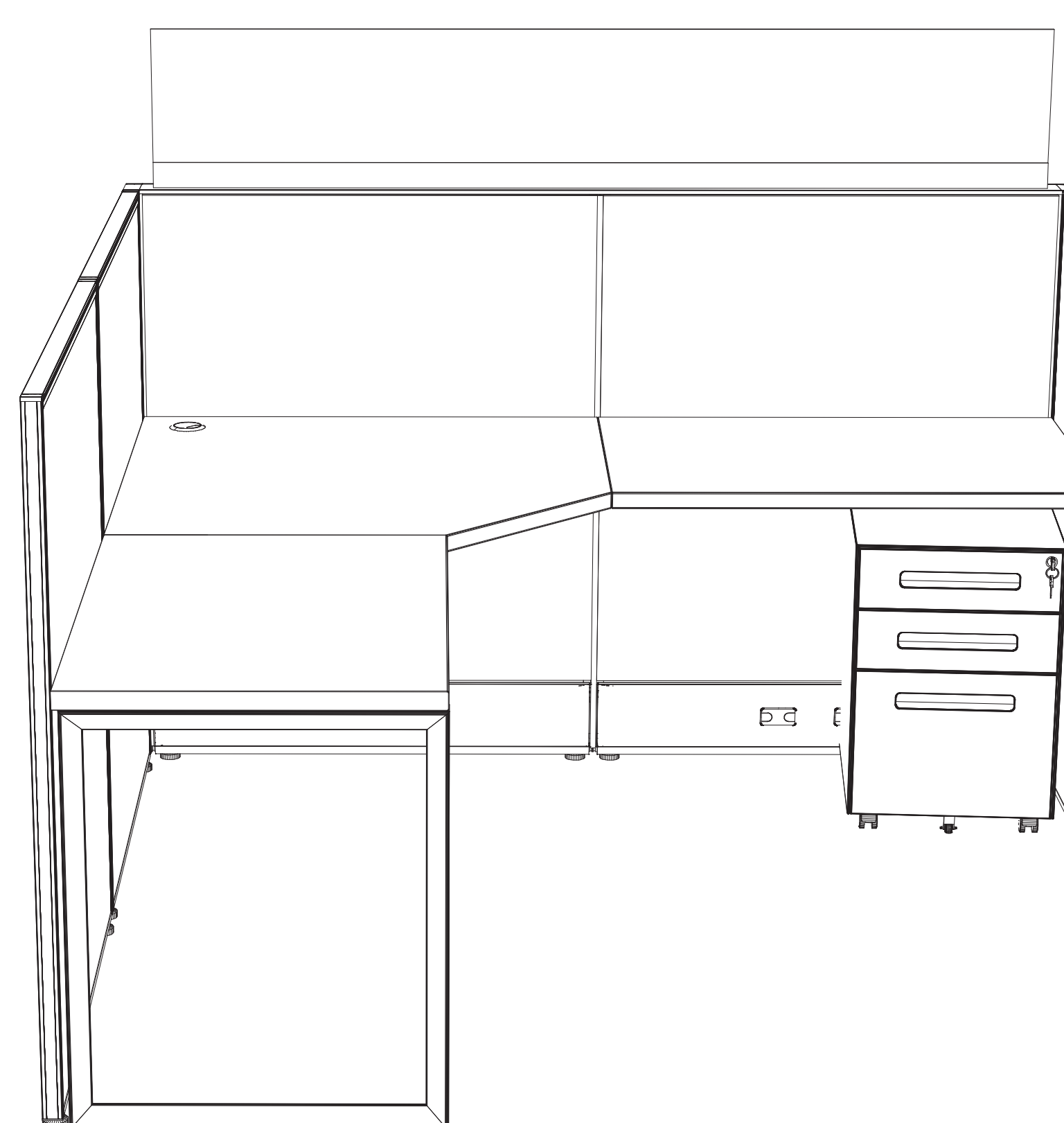
PART: X-FRMGL-24-8-C-SV



WIDTH	HEIGHT	GLASS	PART NUMBER	LIST PRICE
22"	8"	CLEAR	X-FRMGL-24-8-C-?	\$285
28"	8"	CLEAR	X-FRMGL-30-8-C-?	\$290
34"	8"	CLEAR	X-FRMGL-36-8-C-?	\$300
40"	8"	CLEAR	X-FRMGL-42-8-C-?	\$300
46"	8"	CLEAR	X-FRMGL-48-8-C-?	\$305
58"	8"	CLEAR	X-FRMGL-60-8-C-?	370
70"	8"	CLEAR	X-FRMGL-72-8-C-?	\$440



12" CLEAR FRAMELESS GLASS



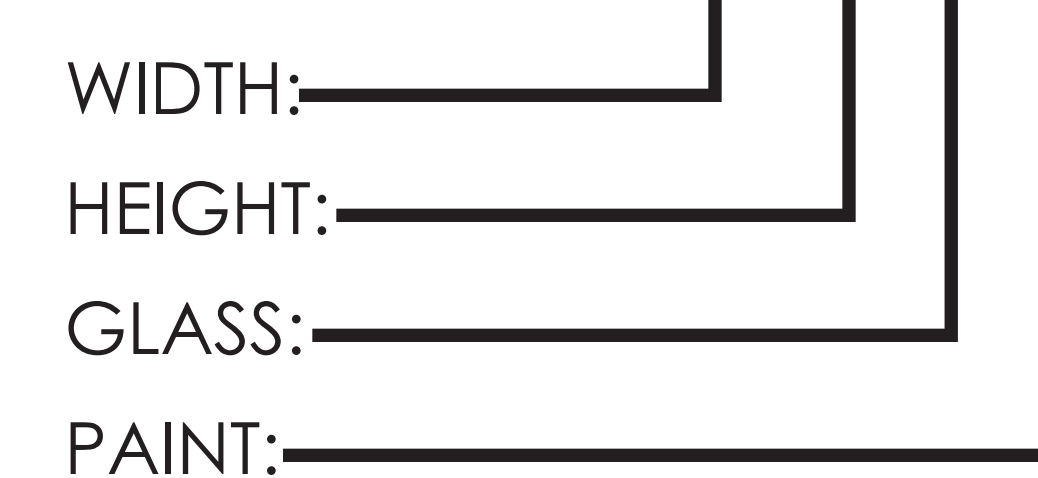
FEATURES:

- MOUNTING HARDWARE INCLUDED

TO ORDER, SPECIFY:

- WIDTH
- HEIGHT
- GLASS

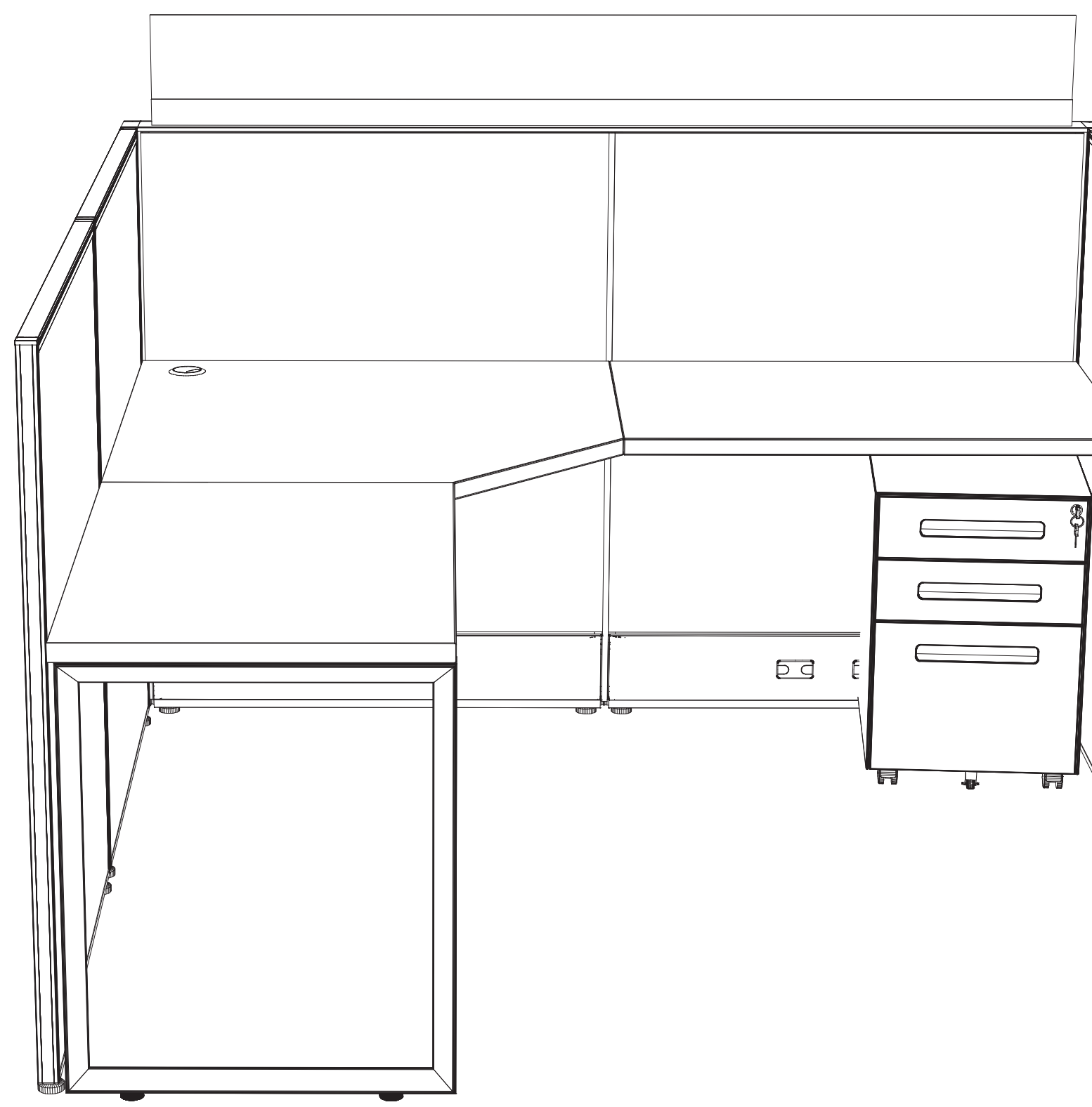
PART: X-FRMGL-24-12-C-SV



WIDTH	HEIGHT	GLASS	PART NUMBER	LIST PRICE
22"	12"	CLEAR	X-FRMGL-24-12-C-?	\$290
28"	12"	CLEAR	X-FRMGL-30-12-C-?	\$295
34"	12"	CLEAR	X-FRMGL-36-12-C-?	\$300
40"	12"	CLEAR	X-FRMGL-42-12-C-?	\$305
46"	12"	CLEAR	X-FRMGL-48-12-C-?	\$310
58"	12"	CLEAR	X-FRMGL-60-12-C-?	\$375
70"	12"	CLEAR	X-FRMGL-72-12-C-?	\$455



8" FROSTED FRAMELESS GLASS



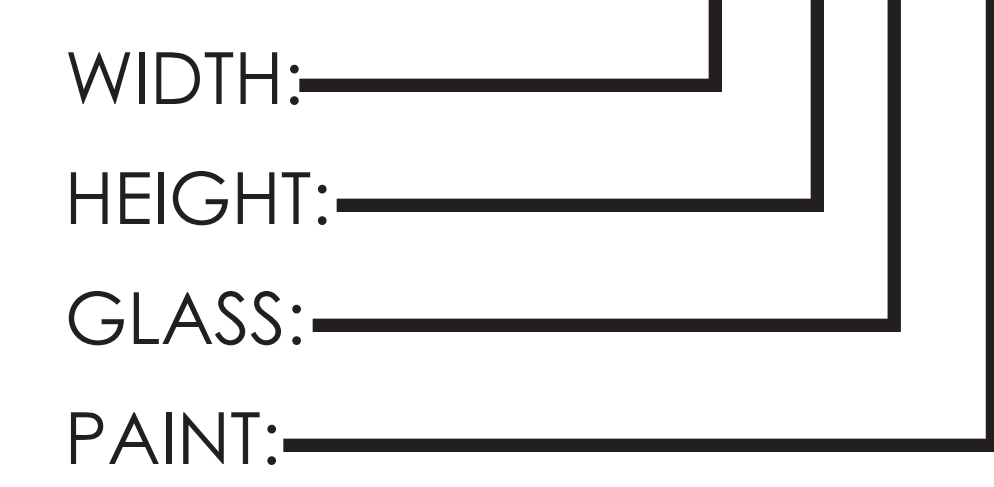
FEATURES:

- MOUNTING HARDWARE INCLUDED

TO ORDER, SPECIFY:

- WIDTH
- HEIGHT
- GLASS

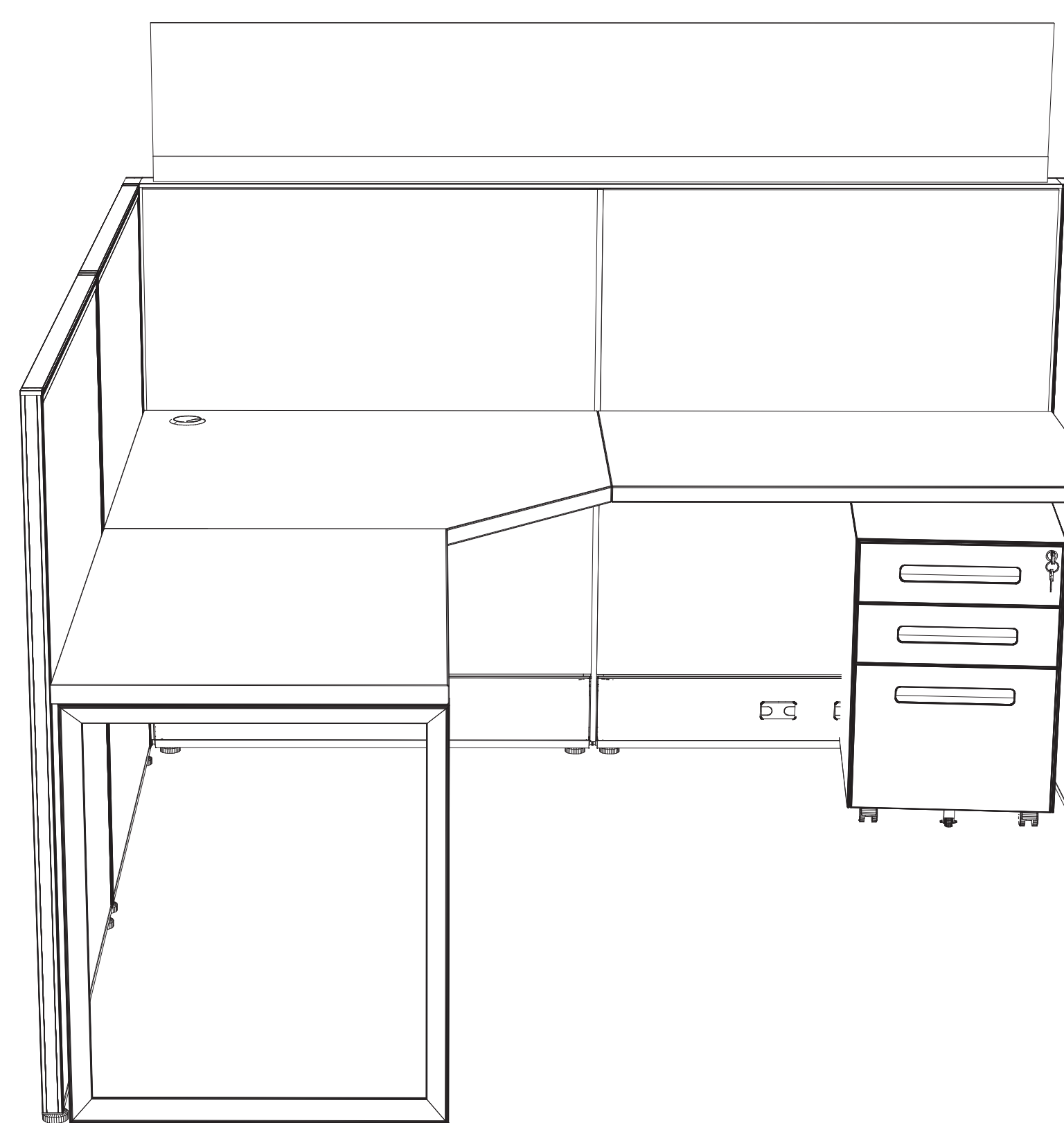
PART: X-FRMGL-24-8-F-SV



WIDTH	HEIGHT	GLASS	PART NUMBER	LIST PRICE
22"	8"	FROSTED	X-FRMGL-24-8-F	\$365
28"	8"	FROSTED	X-FRMGL-30-8-F	\$375
34"	8"	FROSTED	X-FRMGL-36-8-F	\$385
40"	8"	FROSTED	X-FRMGL-42-8-F	\$395
46"	8"	FROSTED	X-FRMGL-48-8-F	\$415
58"	8"	FROSTED	X-FRMGL-60-8-F	\$495
70"	8"	FROSTED	X-FRMGL-72-8-F	\$600



12" FROSTED FRAMELESS GLASS



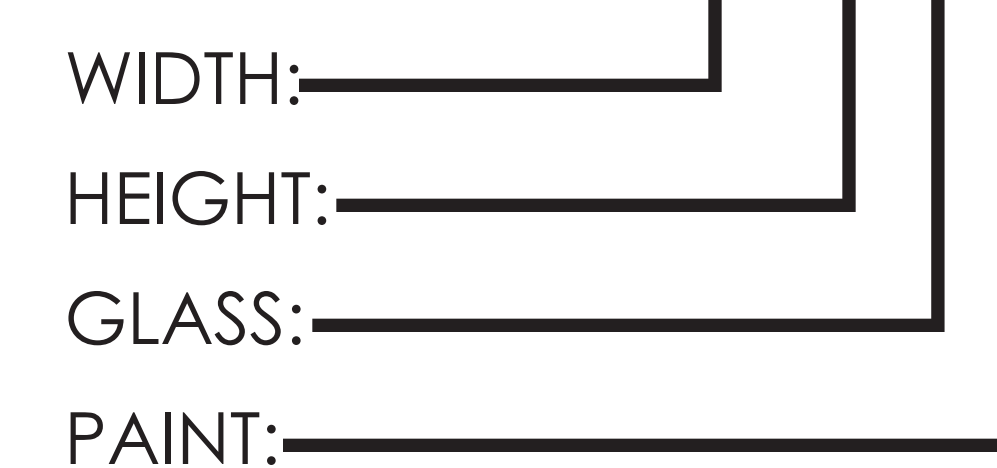
FEATURES:

- MOUNTING HARDWARE INCLUDED

TO ORDER, SPECIFY:

- WIDTH
- HEIGHT
- GLASS

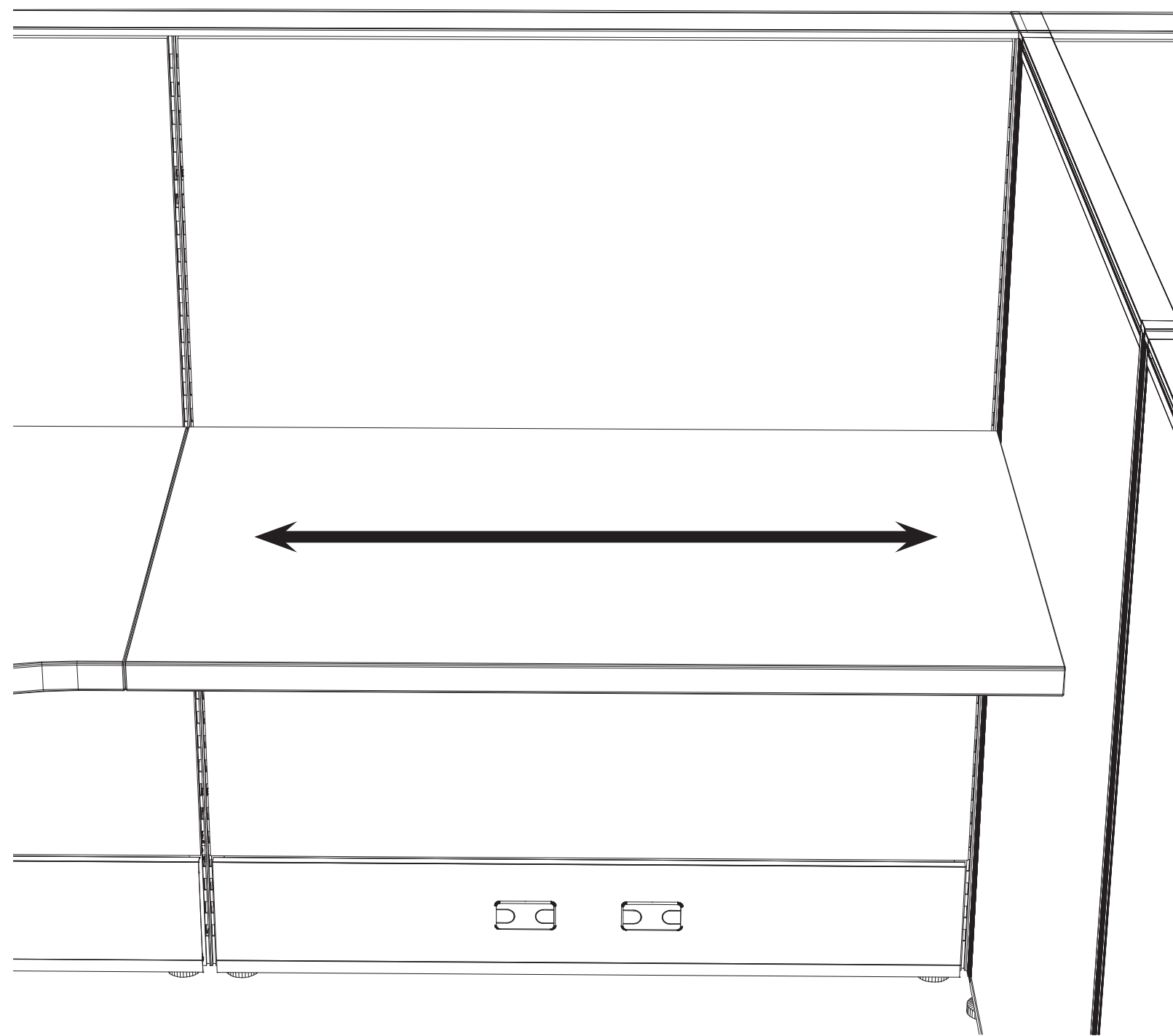
PART: X-FRMGL-24-12-F-SV



WIDTH	HEIGHT	GLASS	PART NUMBER	LIST PRICE
22"	12"	FROSTED	X-FRMGL-24-12-F	\$370
28"	12"	FROSTED	X-FRMGL-30-12-F	\$390
34"	12"	FROSTED	X-FRMGL-36-12-F	\$425
40"	12"	FROSTED	X-FRMGL-42-12-F	\$455
46"	12"	FROSTED	X-FRMGL-48-12-F	\$490
58"	12"	FROSTED	X-FRMGL-60-12-F	\$595
70"	12"	FROSTED	X-FRMGL-72-12-F	\$725



SURFACES: STRAIGHT



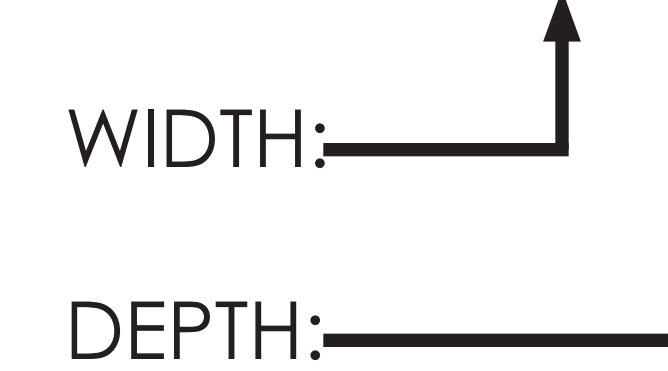
FEATURES:

- MATCHING 3MM EDGE
- ROUND GROMMETS

TO ORDER, SPECIFY:

- PART NUMBER
- WIDTH
- DEPTH
- LAMINATE

PART: X-WS-36-24



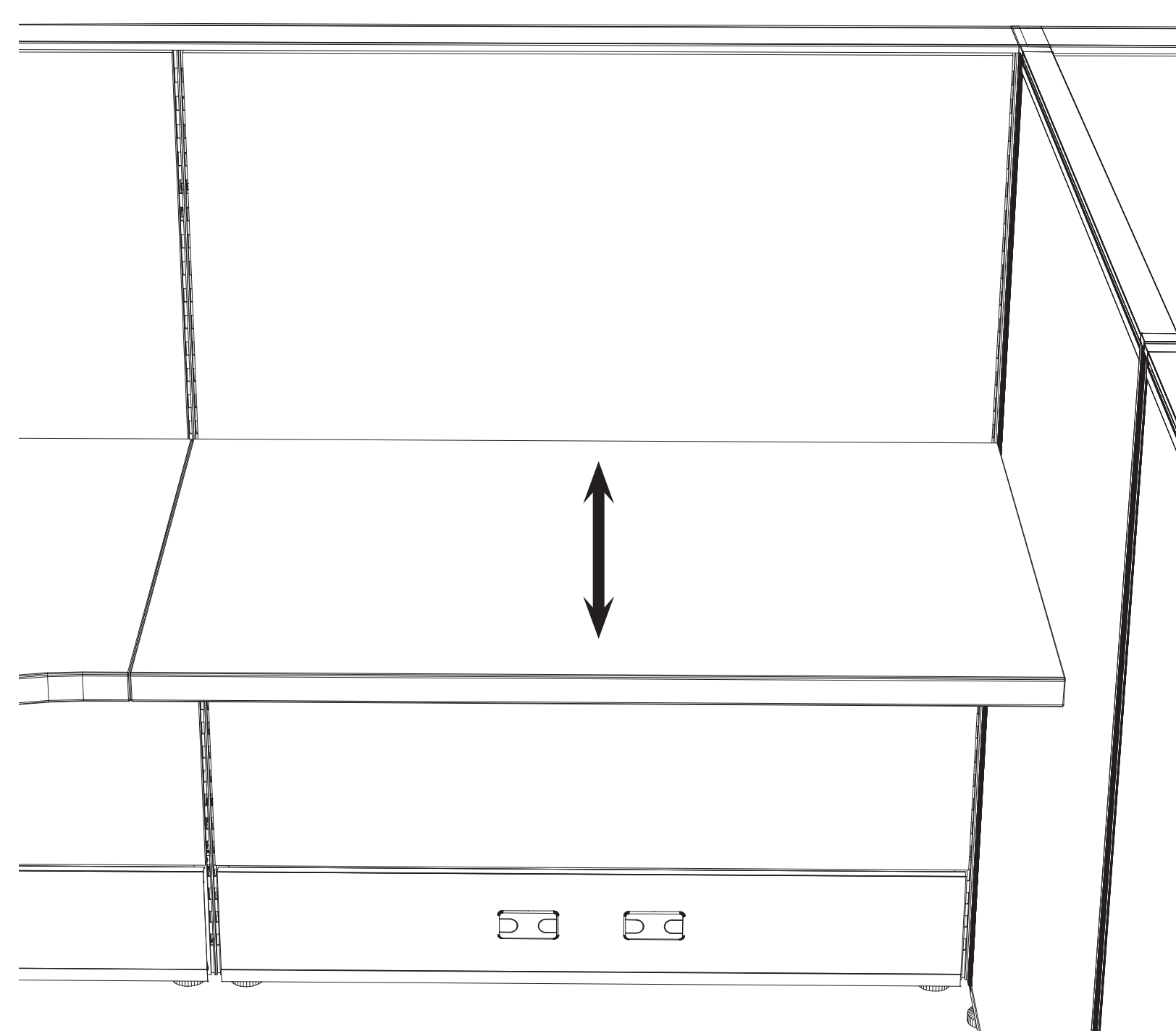
WIDTH	DEPTH	LAMINATE DIRECTION	PART NUMBER	LIST PRICE
24"	24"	LEFT TO RIGHT (SHOWN ABOVE)	X-WS-24-24	\$138
30"	24"	LEFT TO RIGHT (SHOWN ABOVE)	X-WS-30-24	\$160
36"	24"	LEFT TO RIGHT (SHOWN ABOVE)	X-WS-36-24	\$182
42"	24"	LEFT TO RIGHT (SHOWN ABOVE)	X-WS-42-24	\$209
48"	24"	LEFT TO RIGHT (SHOWN ABOVE)	X-WS-48-24	\$215
54"	24"	LEFT TO RIGHT (SHOWN ABOVE)	X-WS-54-24	\$253
60"	24"	LEFT TO RIGHT (SHOWN ABOVE)	X-WS-60-24	\$253
66"	24"	LEFT TO RIGHT (SHOWN ABOVE)	X-WS-66-24	\$352
72"	24"	LEFT TO RIGHT (SHOWN ABOVE)	X-WS-72-24	\$402
78"	24"	LEFT TO RIGHT (SHOWN ABOVE)	X-WS-78-24	\$468
84"	24"	LEFT TO RIGHT (SHOWN ABOVE)	X-WS-84-24	\$468
90"	24"	LEFT TO RIGHT (SHOWN ABOVE)	X-WS-90-24	\$468
96"	24"	LEFT TO RIGHT (SHOWN ABOVE)	X-WS-96-24	\$468

NOTES:

- EDGE WILL BE THE SAME AS THE LAMINATE UNLESS SPECIFIED DIFFERENTLY



SURFACES: STRAIGHT RETURN



FEATURES:

- MATCHING 3MM EDGE
- ROUND GROMMETS

TO ORDER, SPECIFY:

- PART NUMBER
- WIDTH
- DEPTH
- LAMINATE

PART: X-WSR-36-24

WIDTH: 

DEPTH: 

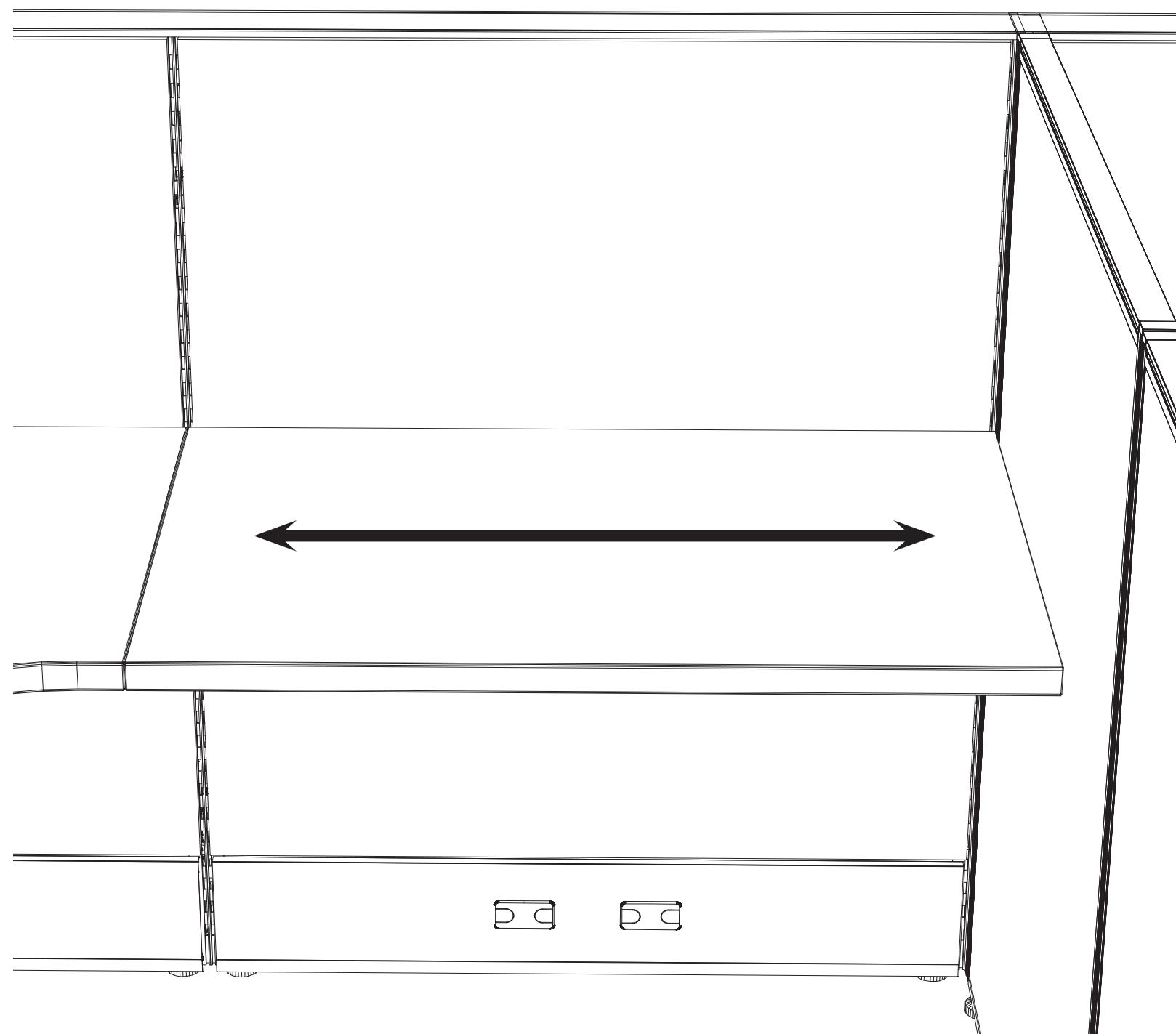
WIDTH	DEPTH	LAMINATE DIRECTION	PART NUMBER	LIST PRICE
24"	24"	FRONT TO BACK (SHOWN ABOVE)	X-WSR-24-24	\$138
30"	24"	FRONT TO BACK (SHOWN ABOVE)	X-WSR-30-24	\$160
36"	24"	FRONT TO BACK (SHOWN ABOVE)	X-WSR-36-24	\$182
42"	24"	FRONT TO BACK (SHOWN ABOVE)	X-WSR-42-24	\$209
48"	24"	FRONT TO BACK (SHOWN ABOVE)	X-WSR-48-24	\$215

NOTES:

- EDGE WILL BE THE SAME AS THE LAMINATE UNLESS SPECIFIED DIFFERENTLY



SURFACES: STRAIGHT



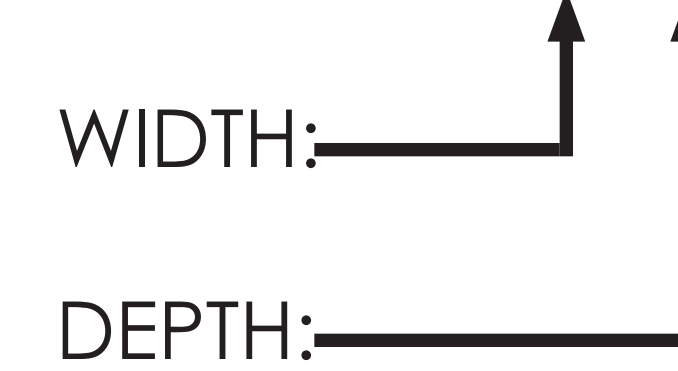
FEATURES:

- MATCHING 3MM EDGE
- ROUND GROMMETS

TO ORDER, SPECIFY:

- PART NUMBER
- WIDTH
- DEPTH
- LAMINATE

PART: X-WS-36-30



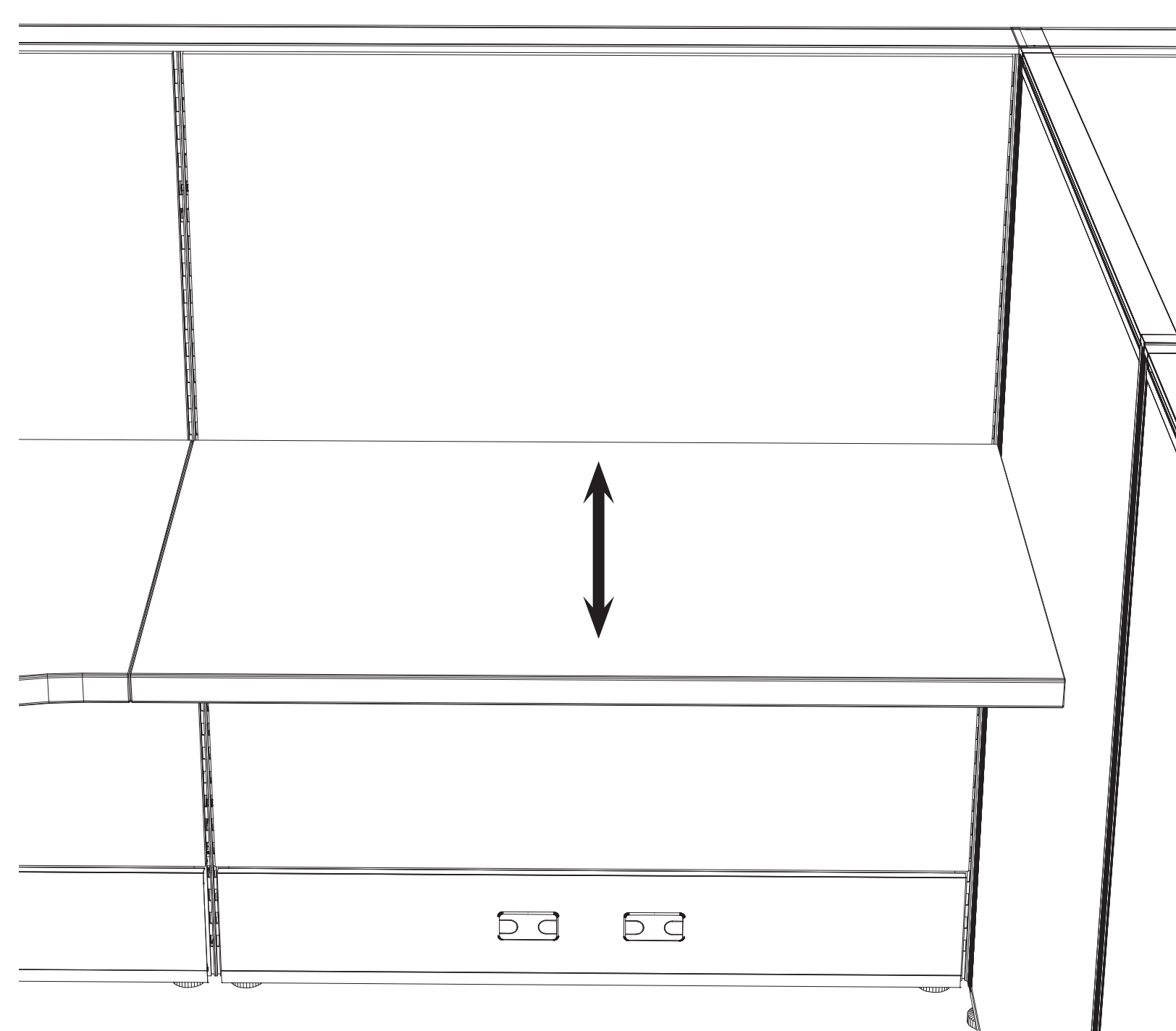
WIDTH	DEPTH	LAMINATE DIRECTION	PART NUMBER	LIST PRICE
24"	30"	LEFT TO RIGHT (SHOWN ABOVE)	X-WS-24-30	\$193
30"	30"	LEFT TO RIGHT (SHOWN ABOVE)	X-WS-30-30	\$209
36"	30"	LEFT TO RIGHT (SHOWN ABOVE)	X-WS-36-30	\$226
42"	30"	LEFT TO RIGHT (SHOWN ABOVE)	X-WS-42-30	\$253
48"	30"	LEFT TO RIGHT (SHOWN ABOVE)	X-WS-48-30	\$281
54"	30"	LEFT TO RIGHT (SHOWN ABOVE)	X-WS-54-30	\$336
60"	30"	LEFT TO RIGHT (SHOWN ABOVE)	X-WS-60-30	\$336
66"	30"	LEFT TO RIGHT (SHOWN ABOVE)	X-WS-66-30	\$388
72"	30"	LEFT TO RIGHT (SHOWN ABOVE)	X-WS-72-30	\$418
78"	30"	LEFT TO RIGHT (SHOWN ABOVE)	X-WS-78-30	\$484
84"	30"	LEFT TO RIGHT (SHOWN ABOVE)	X-WS-84-30	\$484
90"	30"	LEFT TO RIGHT (SHOWN ABOVE)	X-WS-90-30	\$484
96"	30"	LEFT TO RIGHT (SHOWN ABOVE)	X-WS-96-30	\$484

NOTES:

- EDGE WILL BE THE SAME AS THE LAMINATE UNLESS SPECIFIED DIFFERENTLY



SURFACES: STRAIGHT RETURN



FEATURES:

- MATCHING 3MM EDGE
- ROUND GROMMETS

TO ORDER, SPECIFY:

- PART NUMBER
- WIDTH
- DEPTH
- LAMINATE

PART: X-WSR-36-30

WIDTH: 

DEPTH: 

WIDTH	DEPTH	LAMINATE DIRECTION	PART NUMBER	LIST PRICE
24"	30"	FRONT TO BACK (SHOWN ABOVE)	X-WSR-24-30	\$193
30"	30"	FRONT TO BACK (SHOWN ABOVE)	X-WSR-30-30	\$209
36"	30"	FRONT TO BACK (SHOWN ABOVE)	X-WSR-36-30	\$226
42"	30"	FRONT TO BACK (SHOWN ABOVE)	X-WSR-42-30	\$253
48"	30"	FRONT TO BACK (SHOWN ABOVE)	X-WSR-48-30	\$281

NOTES:

- EDGE WILL BE THE SAME AS THE LAMINATE UNLESS SPECIFIED DIFFERENTLY



SURFACES: STRAIGHT W/ GROMMET



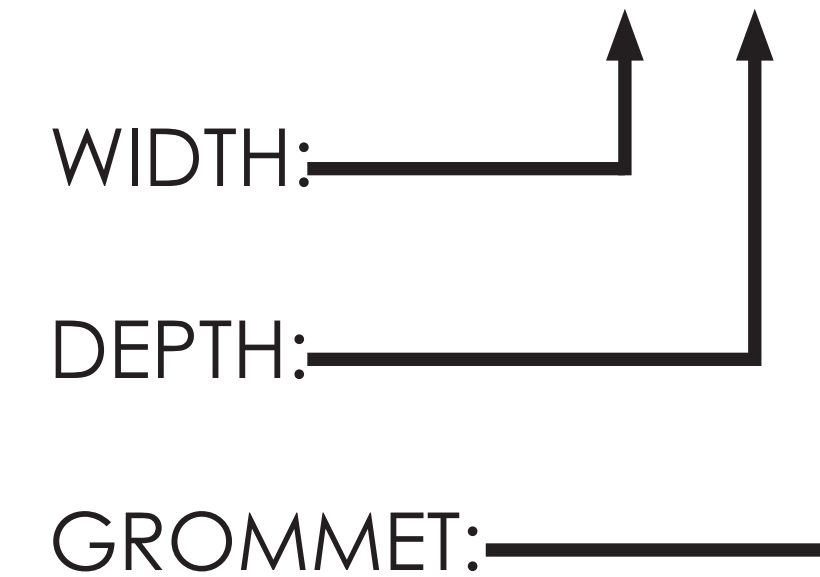
FEATURES:

- MATCHING 3MM EDGE
- ROUND GROMMETS

TO ORDER, SPECIFY:

- PART NUMBER
- WIDTH
- DEPTH
- GROMMET LOCATION
- LAMINATE

PART: X-WSG-36-24-R



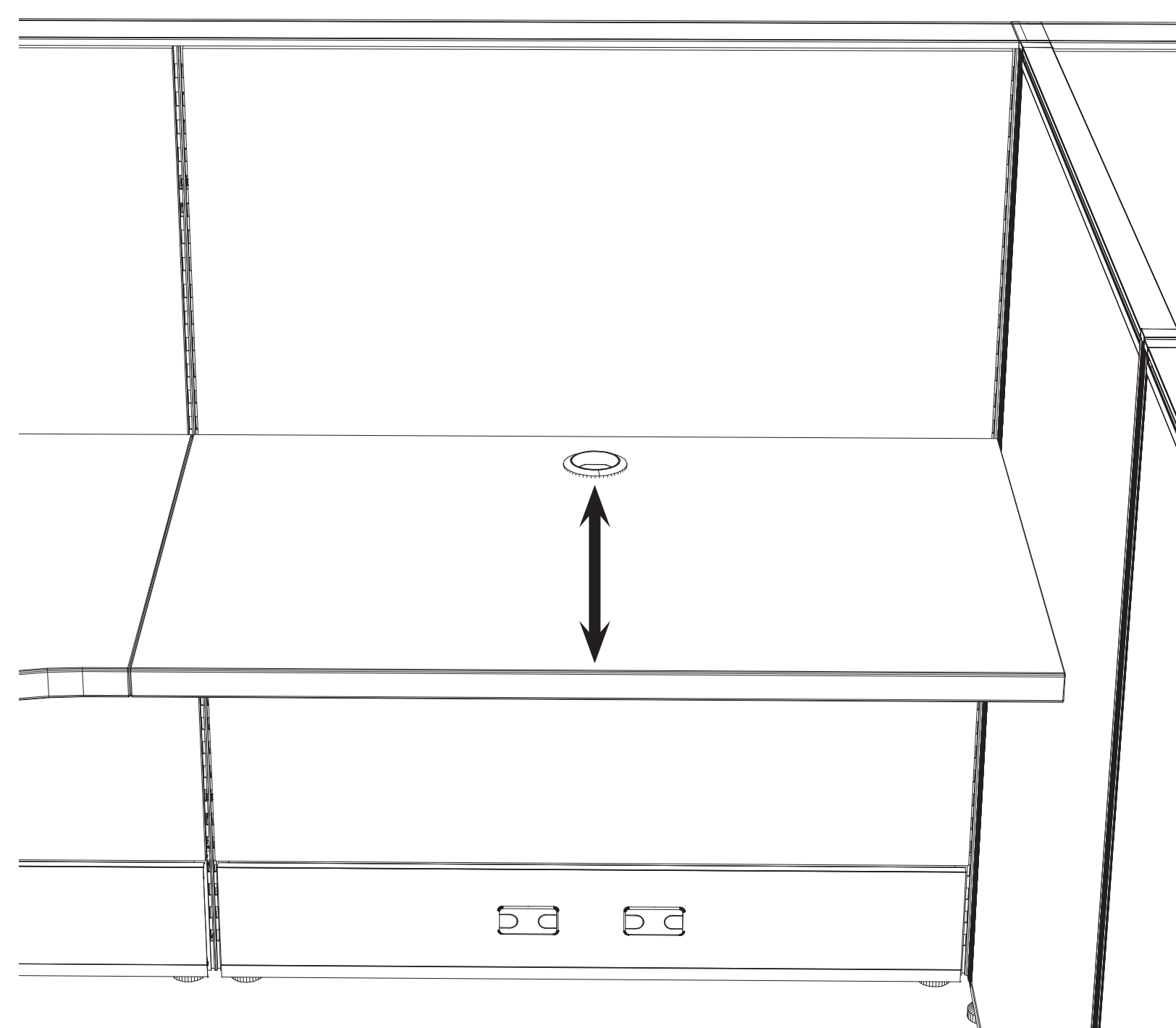
WIDTH	DEPTH	GROMMET LOCATION	LAMINATE DIRECTION	PART NUMBER	LIST PRICE
24"	24"	RIGHT (R) LEFT (L) CENTER (C)	LEFT TO RIGHT (SHOWN ABOVE)	X-WSG-24-24-?	\$212
30"	24"	RIGHT (R) LEFT (L) CENTER (C)	LEFT TO RIGHT (SHOWN ABOVE)	X-WSG-30-24-?	\$212
36"	24"	RIGHT (R) LEFT (L) CENTER (C)	LEFT TO RIGHT (SHOWN ABOVE)	X-WSG-36-24-?	\$212
42"	24"	RIGHT (R) LEFT (L) CENTER (C)	LEFT TO RIGHT (SHOWN ABOVE)	X-WSG-42-24-?	\$239
48"	24"	RIGHT (R) LEFT (L) CENTER (C)	LEFT TO RIGHT (SHOWN ABOVE)	X-WSG-48-24-?	\$245
54"	24"	RIGHT (R) LEFT (L) CENTER (C)	LEFT TO RIGHT (SHOWN ABOVE)	X-WSG-54-24-?	\$283
60"	24"	RIGHT (R) LEFT (L) CENTER (C)	LEFT TO RIGHT (SHOWN ABOVE)	X-WSG-60-24-?	\$283
66"	24"	RIGHT (R) LEFT (L) CENTER (C)	LEFT TO RIGHT (SHOWN ABOVE)	X-WSG-66-24-?	\$382
72"	24"	RIGHT (R) LEFT (L) CENTER (C)	LEFT TO RIGHT (SHOWN ABOVE)	X-WSG-72-24-?	\$432
78"	24"	RIGHT (R) LEFT (L) CENTER (C)	LEFT TO RIGHT (SHOWN ABOVE)	X-WSG-78-24-?	\$498
84"	24"	RIGHT (R) LEFT (L) CENTER (C)	LEFT TO RIGHT (SHOWN ABOVE)	X-WSG-84-24-?	\$498
90"	24"	RIGHT (R) LEFT (L) CENTER (C)	LEFT TO RIGHT (SHOWN ABOVE)	X-WSG-90-24-?	\$498
96"	24"	RIGHT (R) LEFT (L) CENTER (C)	LEFT TO RIGHT (SHOWN ABOVE)	X-WSG-96-24-?	\$498

NOTES:

- EDGE WILL BE THE SAME AS THE LAMINATE UNLESS SPECIFIED DIFFERENTLY



SURFACES: STRAIGHT RETURN W/ GROMMET



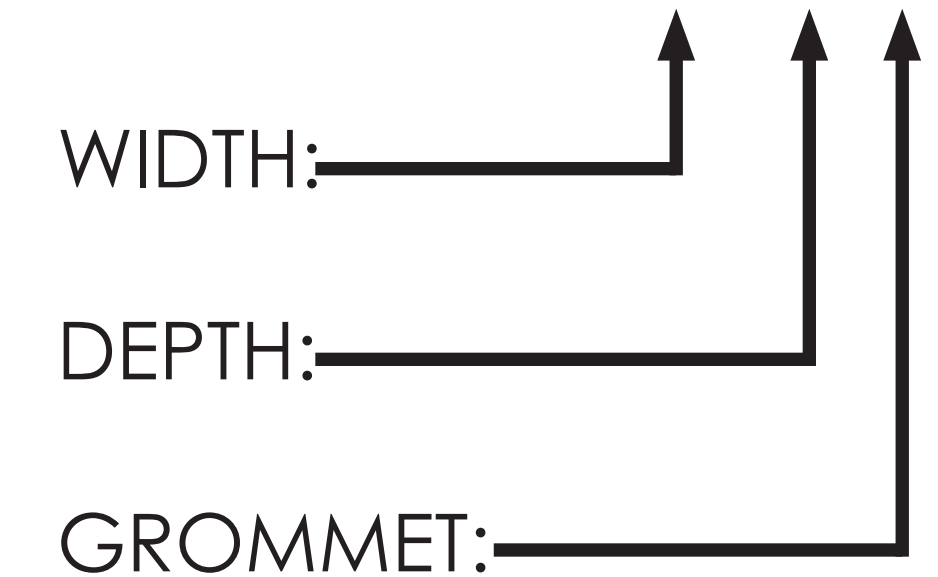
FEATURES:

- MATCHING 3MM EDGE
- ROUND GROMMETS

TO ORDER, SPECIFY:

- PART NUMBER
- WIDTH
- DEPTH
- GROMMET LOCATION
- LAMINATE

PART: X-WSGR-36-24-R



WIDTH	DEPTH	GROMMET LOCATION	LAMINATE DIRECTION	PART NUMBER	LIST PRICE
24"	24"	RIGHT (R) LEFT (L) CENTER (C)	FRONT TO BACK (SHOWN ABOVE)	X-WSGR-24-24-?	\$212
30"	24"	RIGHT (R) LEFT (L) CENTER (C)	FRONT TO BACK (SHOWN ABOVE)	X-WSGR-30-24-?	\$212
36"	24"	RIGHT (R) LEFT (L) CENTER (C)	FRONT TO BACK (SHOWN ABOVE)	X-WSGR-36-24-?	\$212
42"	24"	RIGHT (R) LEFT (L) CENTER (C)	FRONT TO BACK (SHOWN ABOVE)	X-WSGR-42-24-?	\$239
48"	24"	RIGHT (R) LEFT (L) CENTER (C)	FRONT TO BACK (SHOWN ABOVE)	X-WSGR-48-24-?	\$245

NOTES:

- EDGE WILL BE THE SAME AS THE LAMINATE UNLESS SPECIFIED DIFFERENTLY



SURFACES: STRAIGHT W/ GROMMET



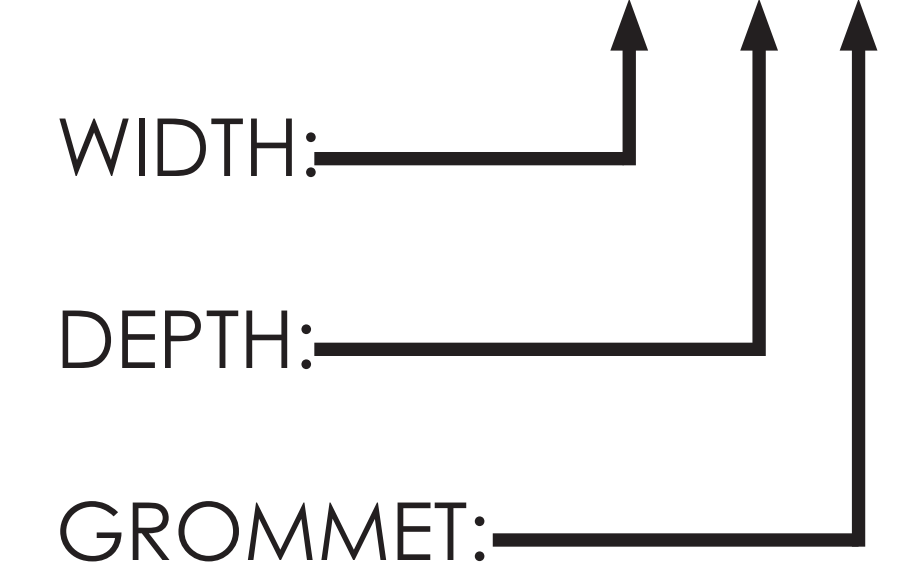
FEATURES:

- MATCHING 3MM EDGE
- ROUND GROMMETS

TO ORDER, SPECIFY:

- PART NUMBER
- WIDTH
- DEPTH
- GROMMET LOCATION
- LAMINATE

PART: X-WSG-36-30-R



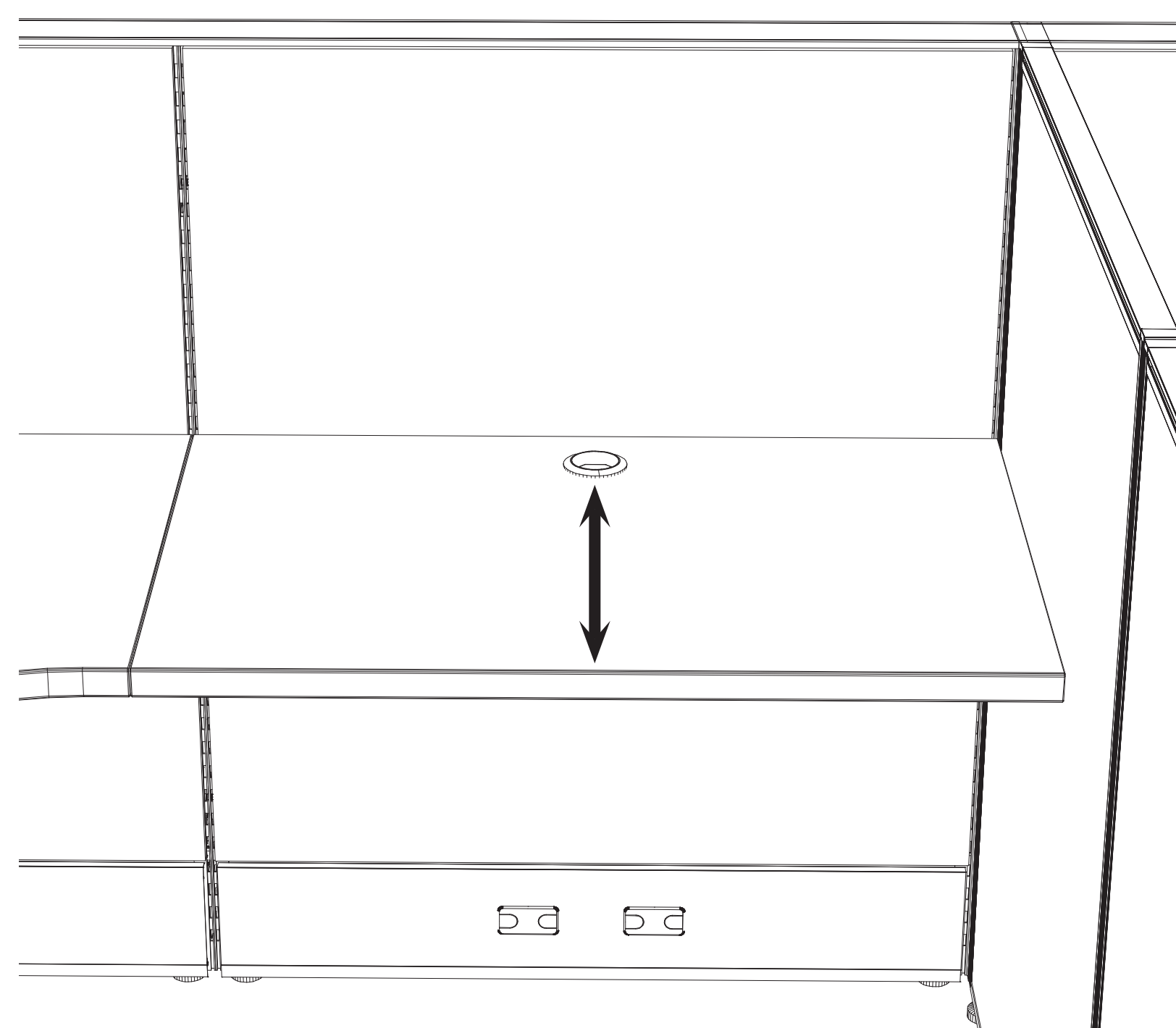
WIDTH	DEPTH	GROMMET LOCATION	LAMINATE DIRECTION	PART NUMBER	LIST PRICE
24"	30"	RIGHT (R) LEFT (L) CENTER (C)	LEFT TO RIGHT (SHOWN ABOVE)	X-WSG-24-30-?	\$239
30"	30"	RIGHT (R) LEFT (L) CENTER (C)	LEFT TO RIGHT (SHOWN ABOVE)	X-WSG-30-30-?	\$239
36"	30"	RIGHT (R) LEFT (L) CENTER (C)	LEFT TO RIGHT (SHOWN ABOVE)	X-WSG-36-30-?	\$256
42"	30"	RIGHT (R) LEFT (L) CENTER (C)	LEFT TO RIGHT (SHOWN ABOVE)	X-WSG-42-30-?	\$283
48"	30"	RIGHT (R) LEFT (L) CENTER (C)	LEFT TO RIGHT (SHOWN ABOVE)	X-WSG-48-30-?	\$311
54"	30"	RIGHT (R) LEFT (L) CENTER (C)	LEFT TO RIGHT (SHOWN ABOVE)	X-WSG-54-30-?	\$366
60"	30"	RIGHT (R) LEFT (L) CENTER (C)	LEFT TO RIGHT (SHOWN ABOVE)	X-WSG-60-30-?	\$366
66"	30"	RIGHT (R) LEFT (L) CENTER (C)	LEFT TO RIGHT (SHOWN ABOVE)	X-WSG-66-30-?	\$448
72"	30"	RIGHT (R) LEFT (L) CENTER (C)	LEFT TO RIGHT (SHOWN ABOVE)	X-WSG-72-30-?	\$448
78"	30"	RIGHT (R) LEFT (L) CENTER (C)	LEFT TO RIGHT (SHOWN ABOVE)	X-WSG-78-30-?	\$514
84"	30"	RIGHT (R) LEFT (L) CENTER (C)	LEFT TO RIGHT (SHOWN ABOVE)	X-WSG-84-30-?	\$514
90"	30"	RIGHT (R) LEFT (L) CENTER (C)	LEFT TO RIGHT (SHOWN ABOVE)	X-WSG-90-30-?	\$514
96"	30"	RIGHT (R) LEFT (L) CENTER (C)	LEFT TO RIGHT (SHOWN ABOVE)	X-WSG-96-30-?	\$514

NOTES:

- EDGE WILL BE THE SAME AS THE LAMINATE UNLESS SPECIFIED DIFFERENTLY



SURFACES: STRAIGHT RETURN W/ GROMMET



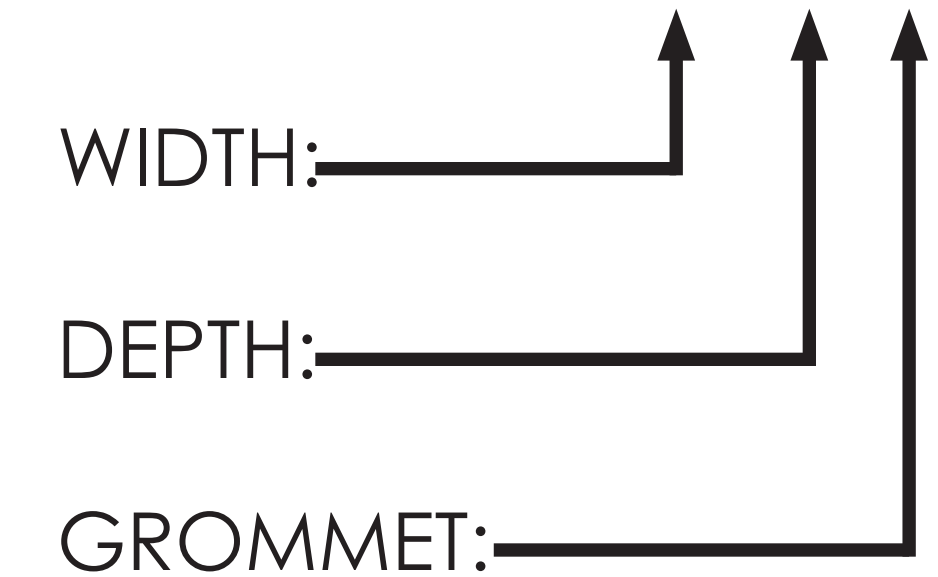
FEATURES:

- MATCHING 3MM EDGE
- ROUND GROMMETS

TO ORDER, SPECIFY:

- PART NUMBER
- WIDTH
- DEPTH
- GROMMET LOCATION
- LAMINATE

PART: X-WSGR-36-30-R



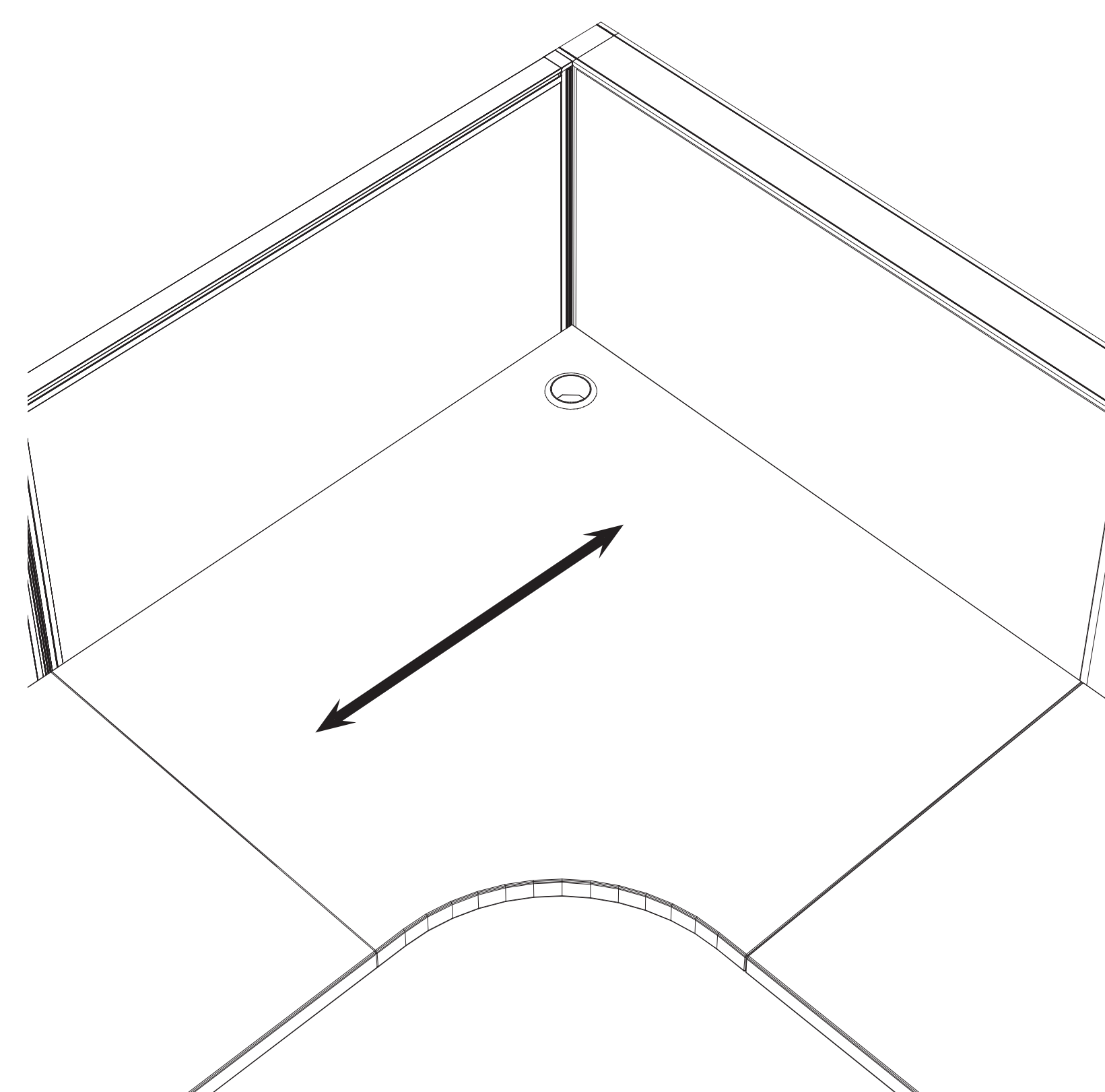
WIDTH	DEPTH	GROMMET LOCATION	LAMINATE DIRECTION	PART NUMBER	LIST PRICE
24"	30"	RIGHT (R) LEFT (L) CENTER (C)	FRONT TO BACK (SHOWN ABOVE)	X-WSGR-24-30-?	\$239
30"	30"	RIGHT (R) LEFT (L) CENTER (C)	FRONT TO BACK (SHOWN ABOVE)	X-WSGR-30-30-?	\$239
36"	30"	RIGHT (R) LEFT (L) CENTER (C)	FRONT TO BACK (SHOWN ABOVE)	X-WSGR-36-30-?	\$256
42"	30"	RIGHT (R) LEFT (L) CENTER (C)	FRONT TO BACK (SHOWN ABOVE)	X-WSGR-42-30-?	\$283
48"	30"	RIGHT (R) LEFT (L) CENTER (C)	FRONT TO BACK (SHOWN ABOVE)	X-WSGR-48-30-?	\$311

NOTES:

- EDGE WILL BE THE SAME AS THE LAMINATE UNLESS SPECIFIED DIFFERENTLY



SURFACES: CURVED CORNER



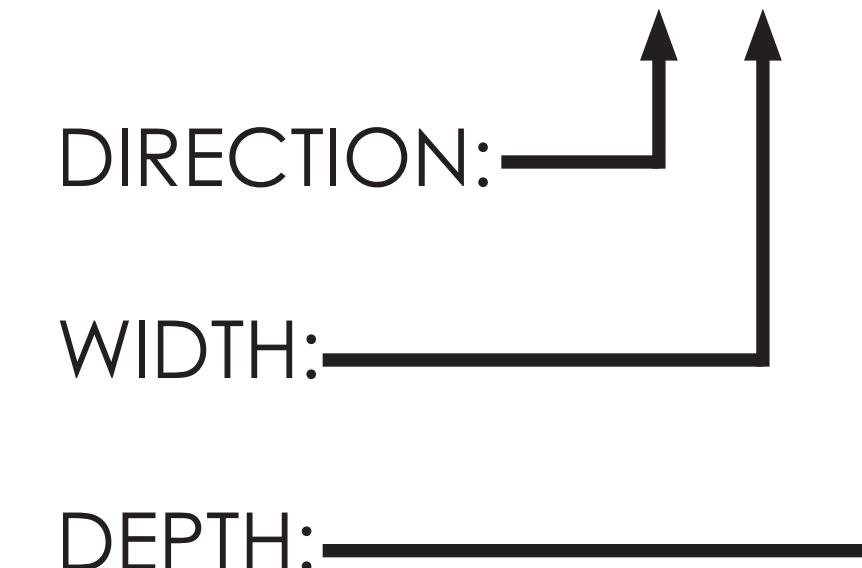
FEATURES:

- MATCHING 3MM EDGE
- ROUND GROMMETS

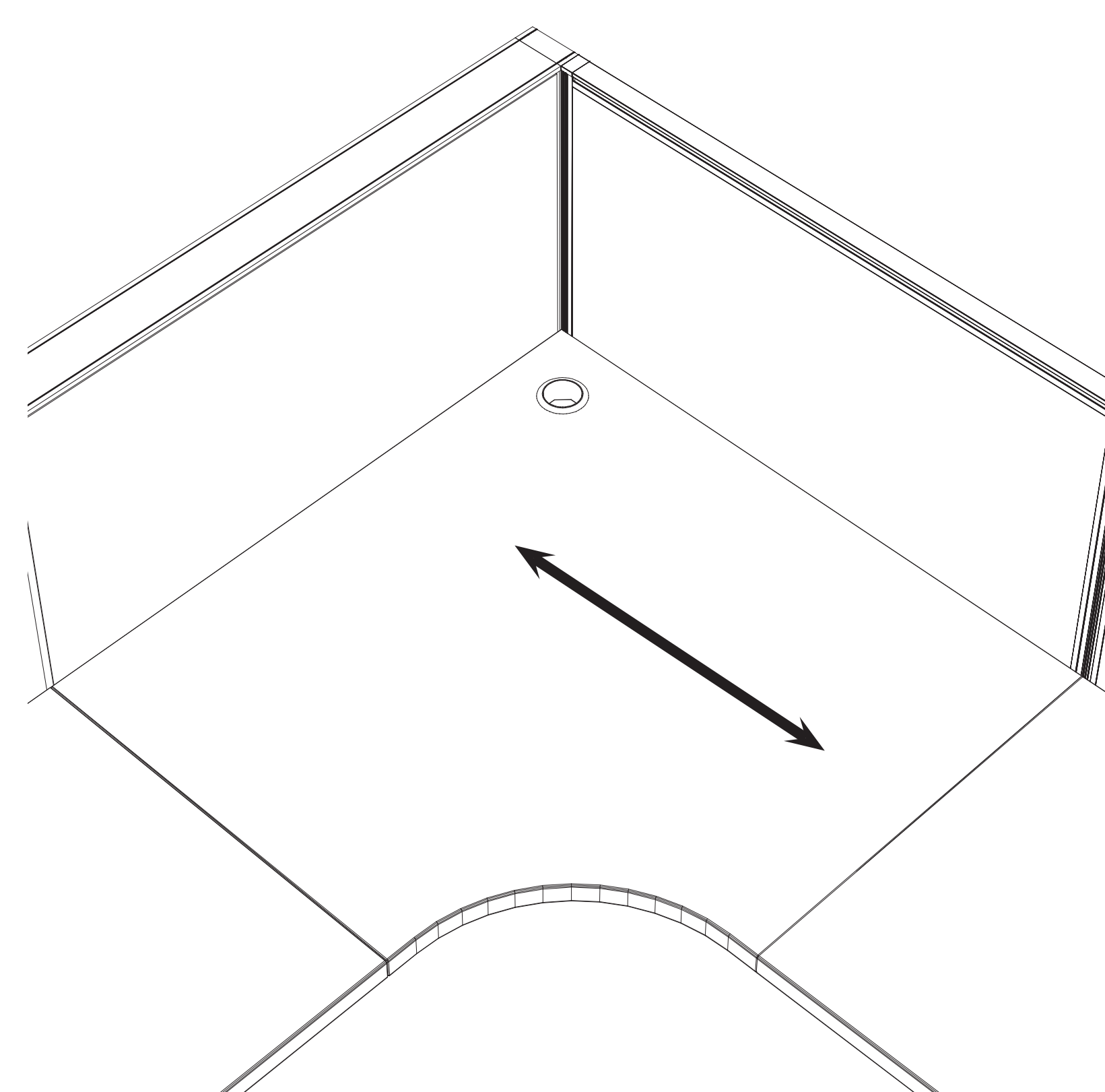
TO ORDER, SPECIFY:

- PART NUMBER
- DIRECTION
- WIDTH
- DEPTH
- LAMINATE

PART: X-WS-CCL-36-24



WIDTH	DEPTH	LAMINATE DIRECTION	PART NUMBER	LIST PRICE
36"	24"	(SHOWN ABOVE)	X-WS-CCL-36-24	\$275



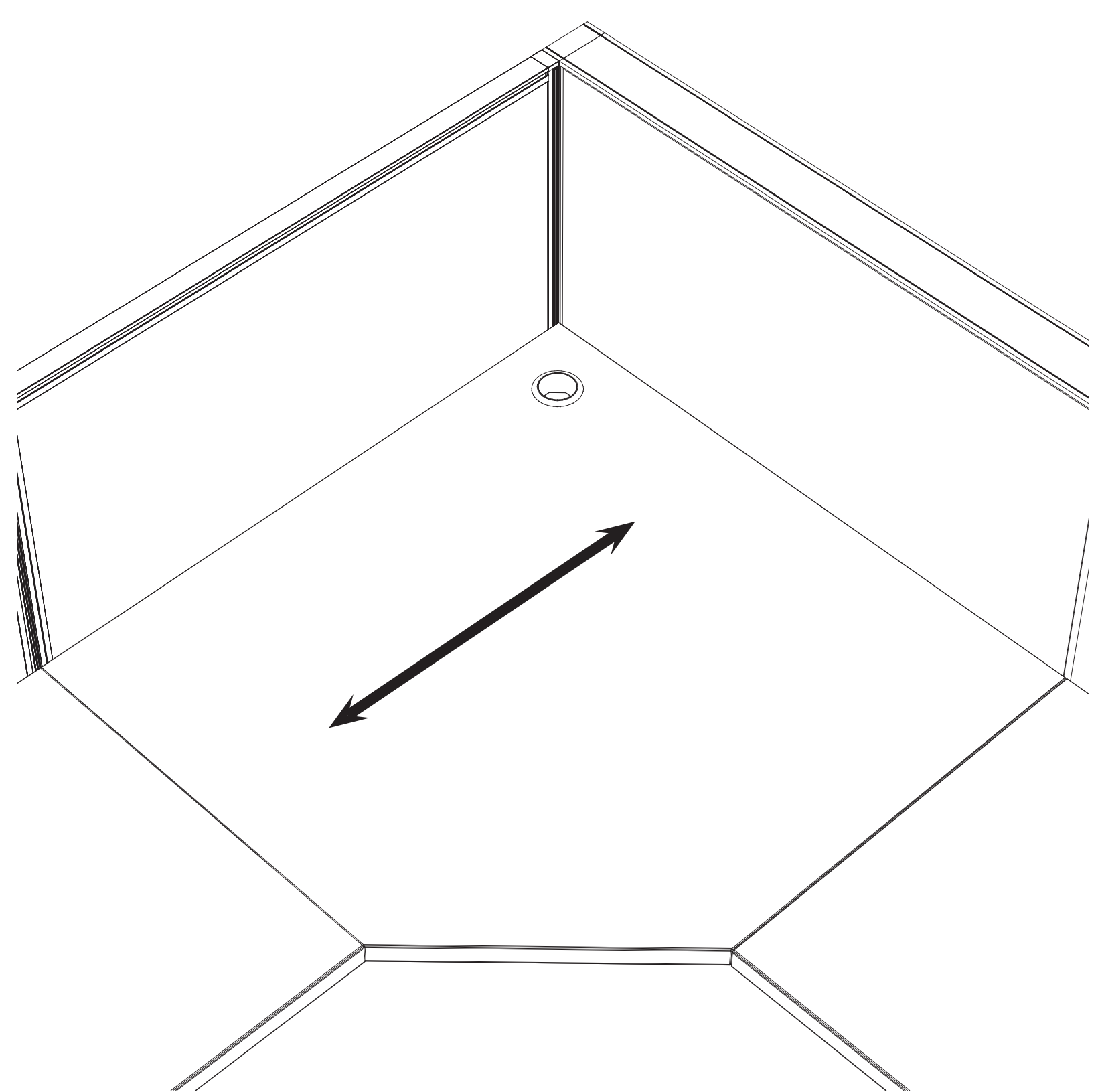
WIDTH	DEPTH	LAMINATE DIRECTION	PART NUMBER	LIST PRICE
36"	24"	(SHOWN ABOVE)	X-WS-CCR-36-24	\$275

NOTES:

- EDGE WILL BE THE SAME AS THE LAMINATE UNLESS SPECIFIED DIFFERENTLY



SURFACES: STRAIGHT CORNER



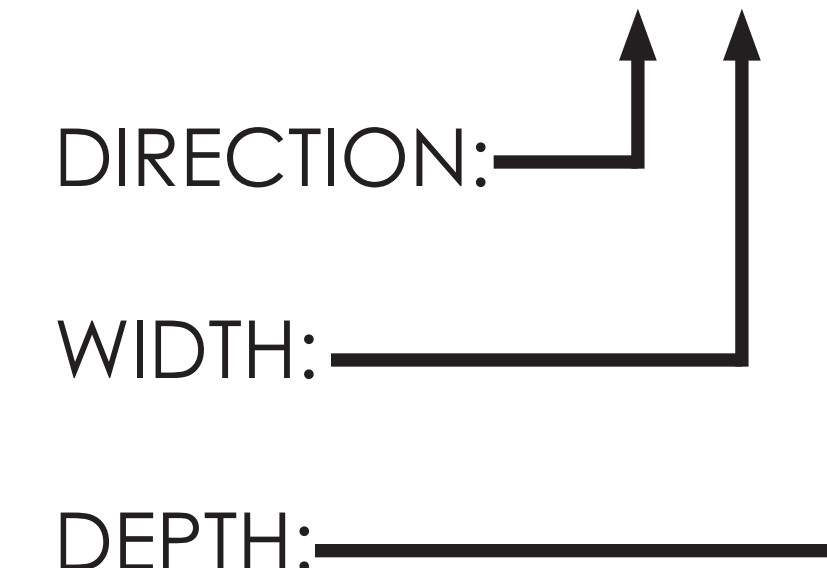
FEATURES:

- MATCHING 3MM EDGE
- ROUND GROMMETS

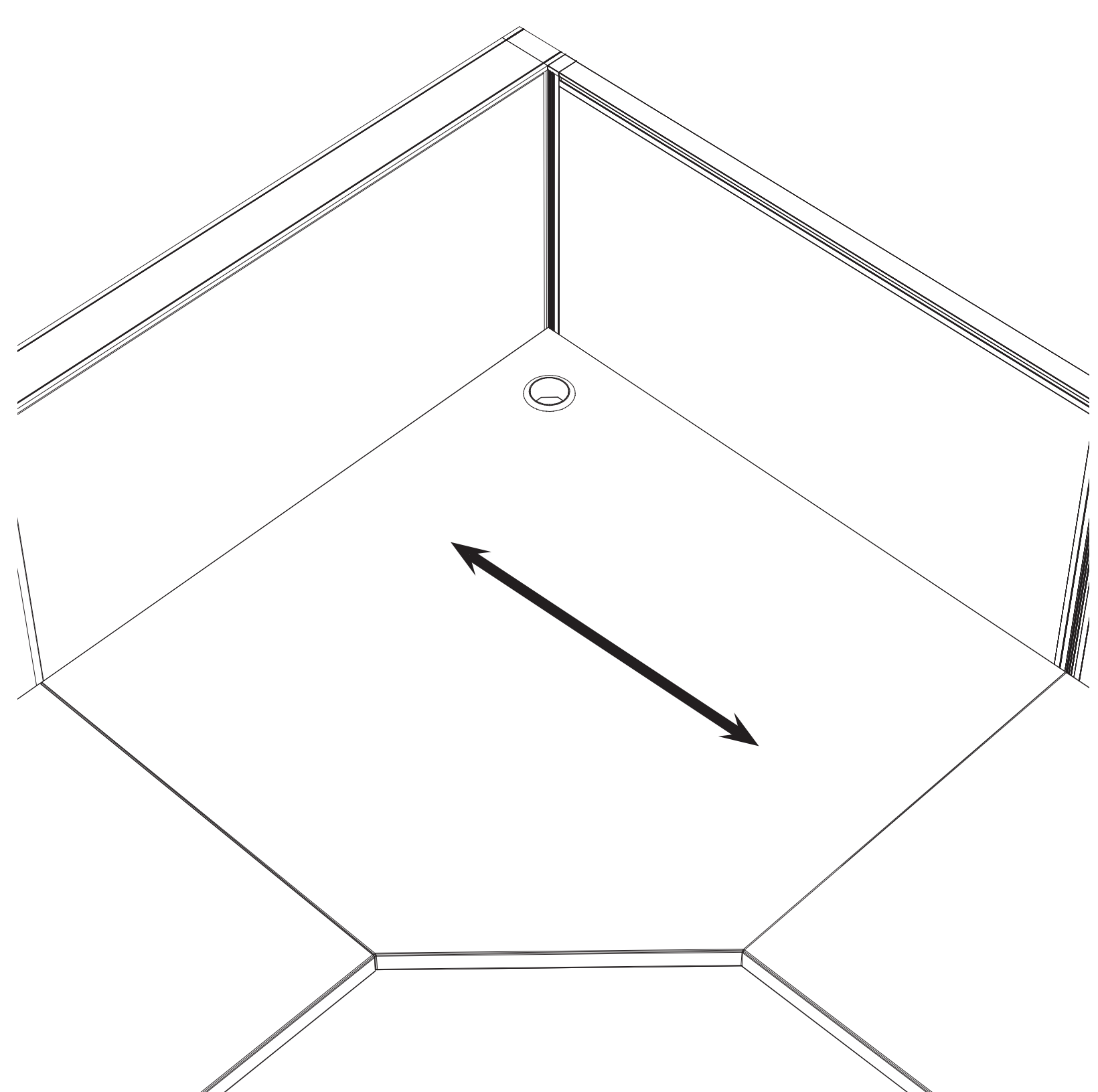
TO ORDER, SPECIFY:

- PART NUMBER
- DIRECTION
- WIDTH
- DEPTH
- LAMINATE

PART: X-WS-SCL-36-24



WIDTH	DEPTH	LAMINATE DIRECTION	PART NUMBER	LIST PRICE
36"	24"	(SHOWN ABOVE)	X-WS-SCL-36-24	\$275



WIDTH	DEPTH	LAMINATE DIRECTION	PART NUMBER	LIST PRICE
36"	24"	(SHOWN ABOVE)	X-WS-SCR-36-24	\$275

NOTES:

- EDGE WILL BE THE SAME AS THE LAMINATE UNLESS SPECIFIED DIFFERENTLY



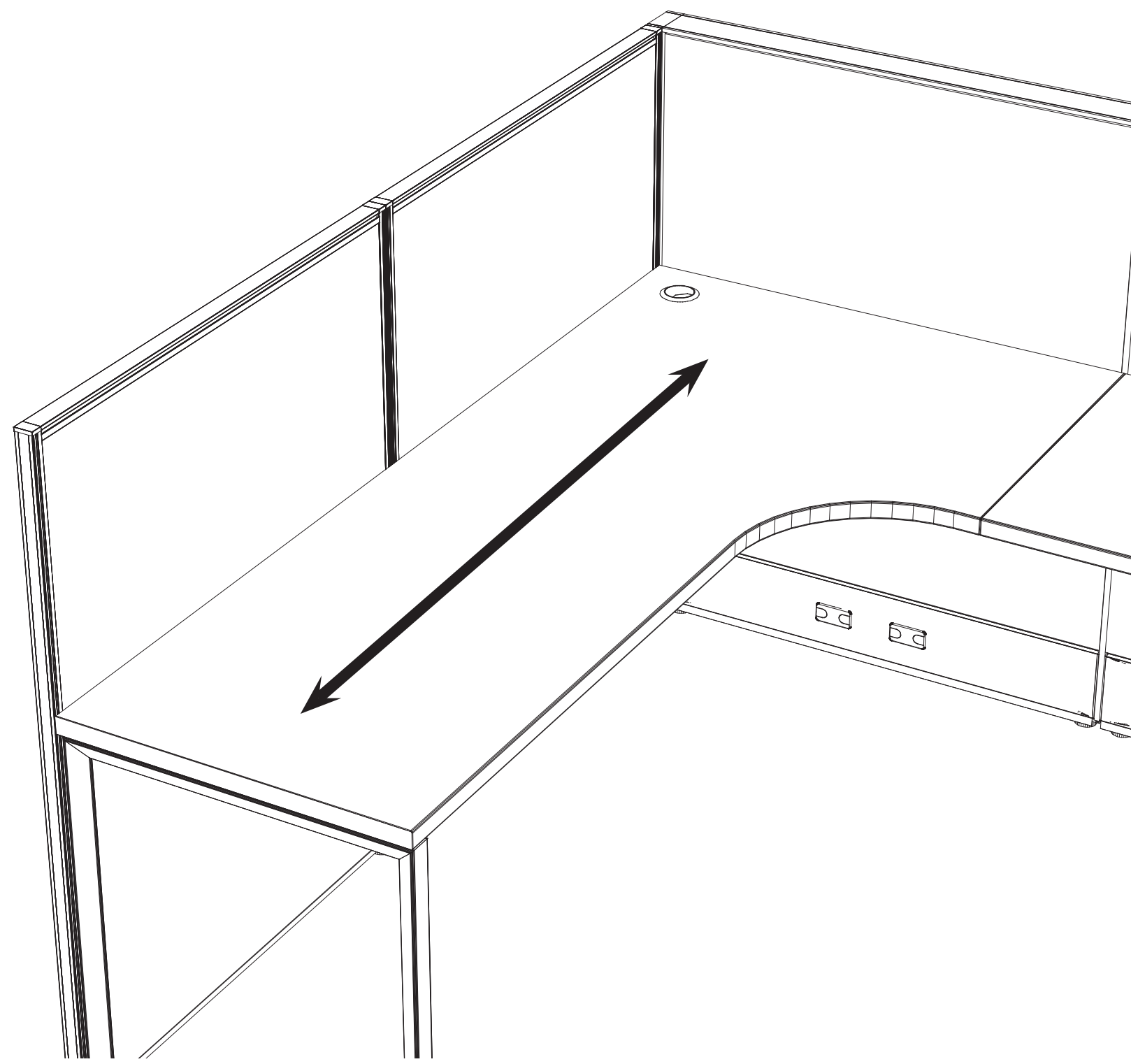
SURFACES: EXTENDED CURVED CORNER

FEATURES:

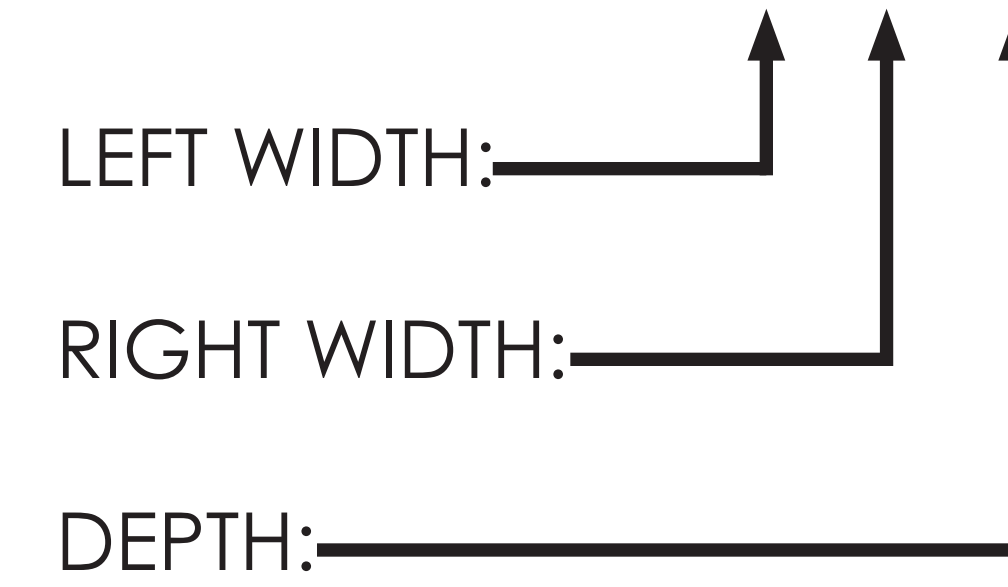
- MATCHING 3MM EDGE
- ROUND GROMMETS

TO ORDER, SPECIFY:

- PART NUMBER
- LEFT WIDTH
- RIGHT WIDTH
- DEPTH
- LAMINATE



PART: X-WS-ECC-36-48-24



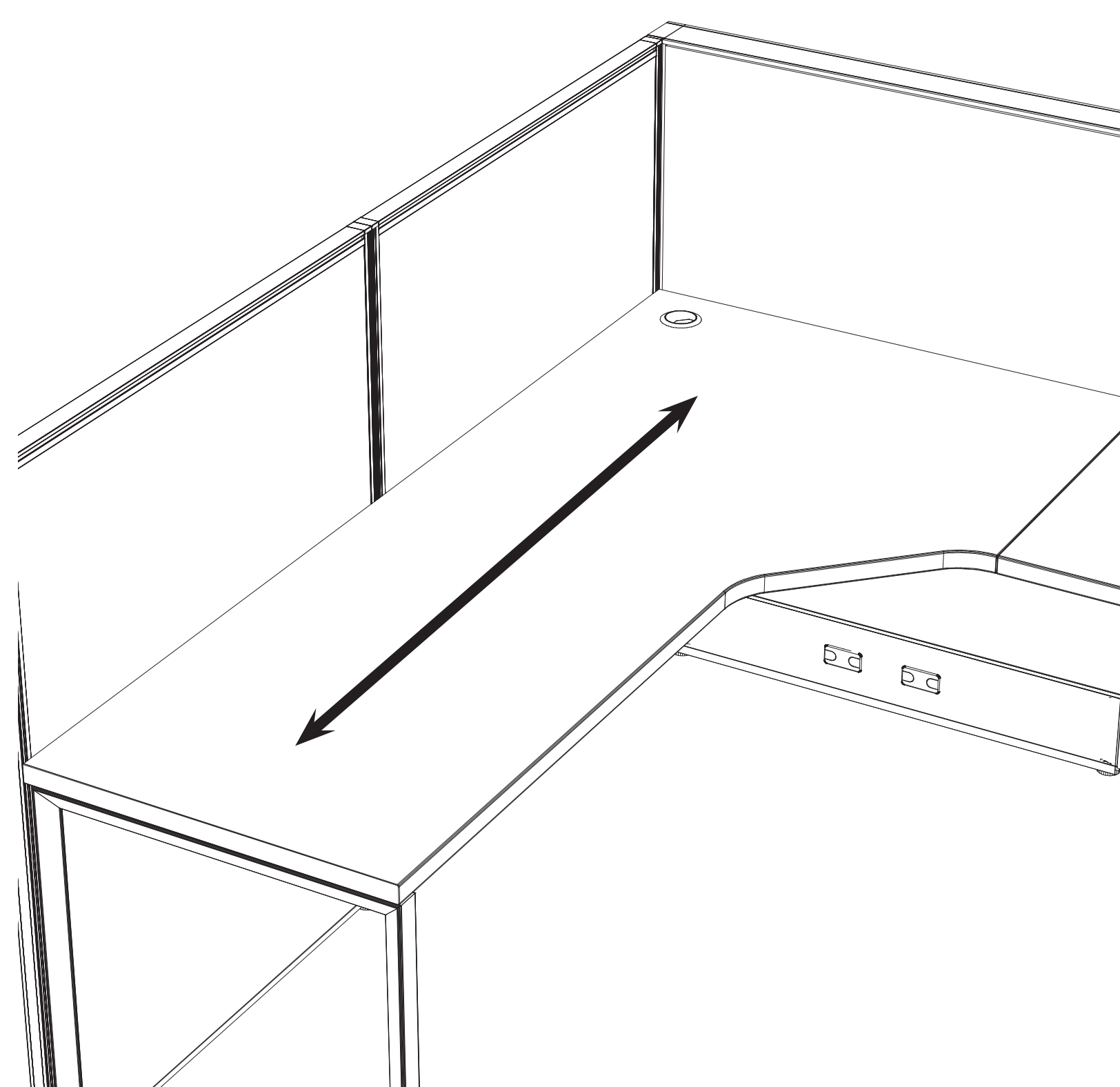
LEFT WIDTH	RIGHT WIDTH	DEPTH	LAMINATE DIRECTION	PART NUMBER	LIST PRICE
36"	48"	24"	LONG SIDE (SHOWN ABOVE)	X-WS-ECC-36-48-24	\$347
36"	60"	24"	LONG SIDE (SHOWN ABOVE)	X-WS-ECC-36-60-24	\$413
36"	72"	24"	LONG SIDE (SHOWN ABOVE)	X-WS-ECC-36-72-24	\$457
48"	36"	24"	LONG SIDE (SHOWN ABOVE)	X-WS-ECC-48-36-24	\$347
48"	60"	24"	LONG SIDE (SHOWN ABOVE)	X-WS-ECC-48-60-24	\$429
48"	72"	24"	LONG SIDE (SHOWN ABOVE)	X-WS-ECC-48-72-24	\$495
60"	36"	24"	LONG SIDE (SHOWN ABOVE)	X-WS-ECC-60-36-24	\$413
60"	48"	24"	LONG SIDE (SHOWN ABOVE)	X-WS-ECC-60-48-24	\$429
72"	36"	24"	LONG SIDE (SHOWN ABOVE)	X-WS-ECC-72-36-24	\$457
72"	48"	24"	LONG SIDE (SHOWN ABOVE)	X-WS-ECC-72-48-24	\$495

NOTES:

- EDGE WILL BE THE SAME AS THE LAMINATE UNLESS SPECIFIED DIFFERENTLY



SURFACES: EXTENDED STRAIGHT CORNER



FEATURES:

- MATCHING 3MM EDGE
- ROUND GROMMETS

TO ORDER, SPECIFY:

- PART NUMBER
- LEFT WIDTH
- RIGHT WIDTH
- DEPTH
- LAMINATE

PART: X-WS-ESC-36-48-24

LEFT WIDTH: _____

RIGHT WIDTH: _____

DEPTH: _____

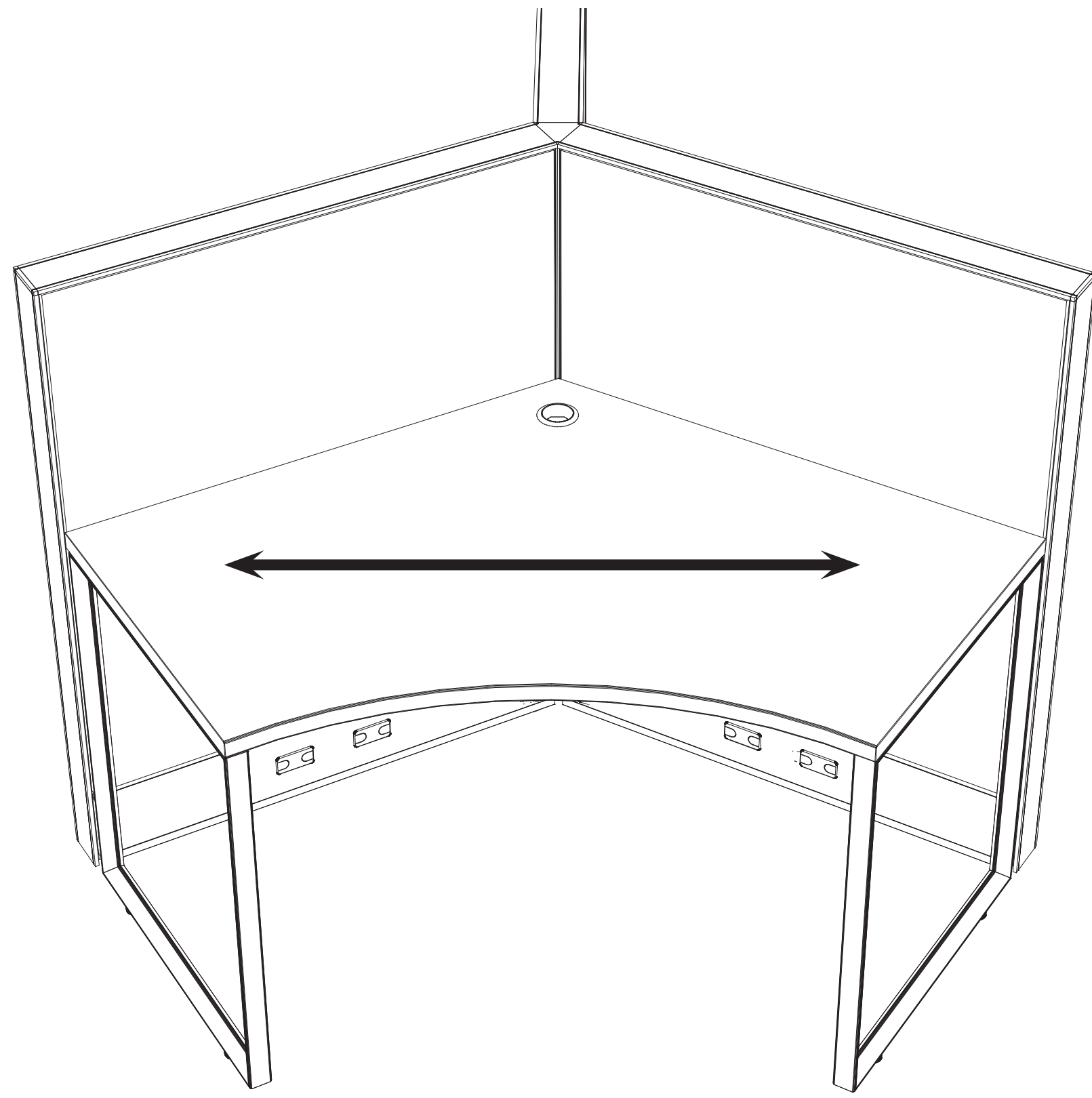
LEFT WIDTH	RIGHT WIDTH	DEPTH	LAMINATE DIRECTION	PART NUMBER	LIST PRICE
36"	48"	24"	LONG SIDE (SHOWN ABOVE)	X-WS-ESC-36-48-24	\$347
36"	60"	24"	LONG SIDE (SHOWN ABOVE)	X-WS-ESC-36-60-24	\$413
36"	72"	24"	LONG SIDE (SHOWN ABOVE)	X-WS-ESC-36-72-24	\$457
48"	36"	24"	LONG SIDE (SHOWN ABOVE)	X-WS-ESC-48-36-24	\$347
48"	60"	24"	LONG SIDE (SHOWN ABOVE)	X-WS-ESC-48-60-24	\$429
48"	72"	24"	LONG SIDE (SHOWN ABOVE)	X-WS-ESC-48-72-24	\$495
60"	36"	24"	LONG SIDE (SHOWN ABOVE)	X-WS-ESC-60-36-24	\$413
60"	48"	24"	LONG SIDE (SHOWN ABOVE)	X-WS-ESC-60-48-24	\$429
72"	36"	24"	LONG SIDE (SHOWN ABOVE)	X-WS-ESC-72-36-24	\$457
72"	48"	24"	LONG SIDE (SHOWN ABOVE)	X-WS-ESC-72-48-24	\$495

NOTES:

- EDGE WILL BE THE SAME AS THE LAMINATE UNLESS SPECIFIED DIFFERENTLY



SURFACES: 120 DEGREE CORNER



FEATURES:

- MATCHING 3MM EDGE
- ROUND GROMMETS

TO ORDER, SPECIFY:

- PART NUMBER
- WIDTH
- DEPTH
- LAMINATE

PART: X-120CC-WS-36-24

WIDTH: _____

DEPTH: _____

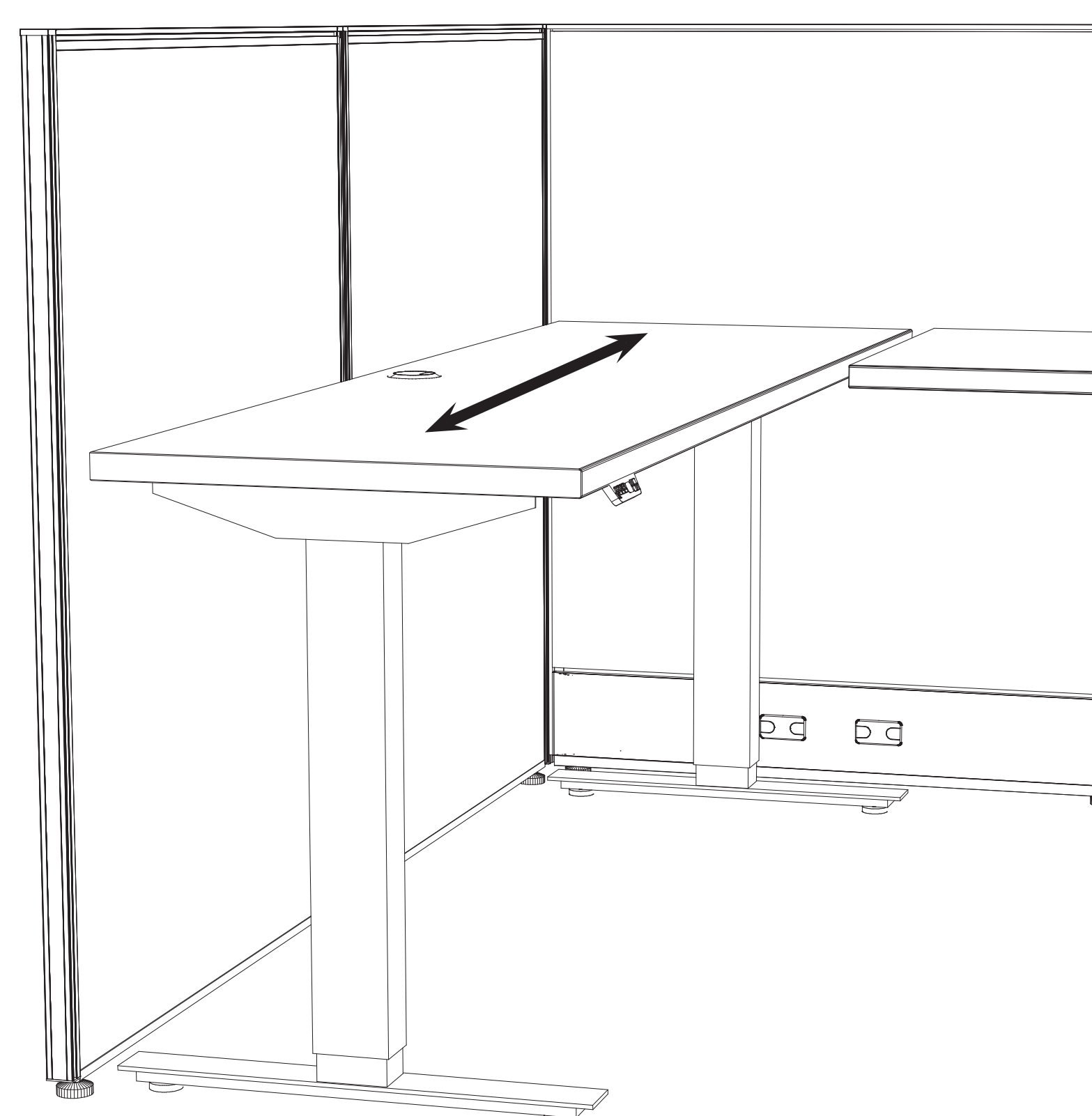
LEFT WIDTH	RIGHT WIDTH	DEPTH	LAMINATE DIRECTION	PART NUMBER	LIST PRICE
36"	36"	24"	(SHOWN ABOVE)	X-120CC-WS-36-24	\$451
48"	48"	24"	(SHOWN ABOVE)	X-120CC-WS-48-24	\$605

NOTES:

- EDGE WILL BE THE SAME AS THE LAMINATE UNLESS SPECIFIED DIFFERENTLY



SURFACES: HEIGHT ADJUSTABLE W/ GROMMET



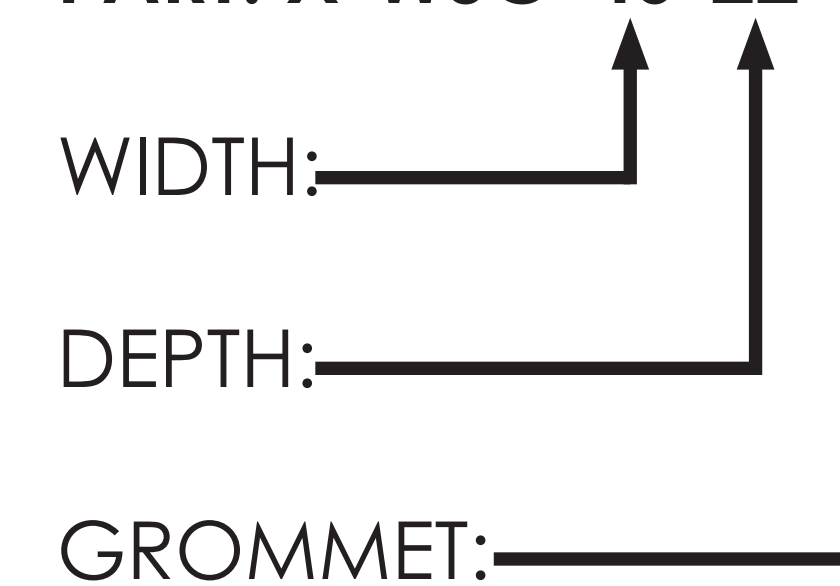
FEATURES:

- MATCHING 3MM EDGE
- ROUND GROMMETS

TO ORDER, SPECIFY:

- PART NUMBER
- WIDTH
- DEPTH
- GROMMET LOCATION
- LAMINATE

PART: X-WSG-46-22-C



WIDTH	DEPTH	GROMMET LOCATION	LAMINATE DIRECTION	PART NUMBER	LIST PRICE
46"	22"	CENTER	LONG SIDE (SHOWN ABOVE)	X-WSG-46-22-C	\$245
58"	22"	CENTER	LONG SIDE (SHOWN ABOVE)	X-WSG-58-22-C	\$283
70"	22"	CENTER	LONG SIDE (SHOWN ABOVE)	X-WSG-70-22-C	\$432
46"	28"	CENTER	LONG SIDE (SHOWN ABOVE)	X-WSG-46-28-C	\$311
58"	28"	CENTER	LONG SIDE (SHOWN ABOVE)	X-WSG-58-28-C	\$366
70"	28"	CENTER	LONG SIDE (SHOWN ABOVE)	X-WSG-70-28-C	\$448

NOTES:

- EDGE WILL BE THE SAME AS THE LAMINATE UNLESS SPECIFIED DIFFERENTLY
- DIMENSIONS REDUCED BY 1" IN EVERY DIRECTION TO ELIMINATE PINCH POINTS



SURFACES: CUSTOM

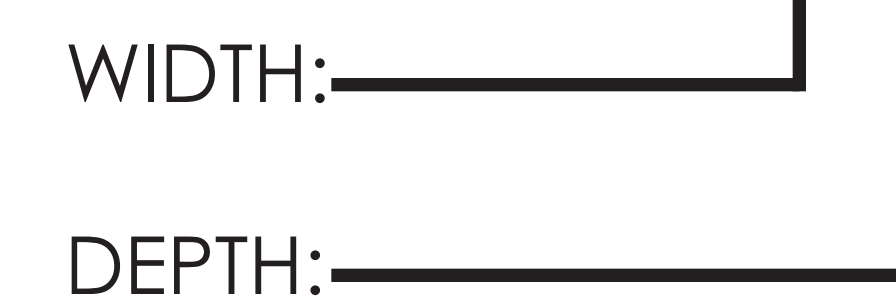
FEATURES:

- MATCHING 3MM EDGE

TO ORDER, SPECIFY:

- PART NUMBER
- WIDTH
- DEPTH
- LAMINATE
- DIMENSIONED DRAWING
- GRAIN DIRECTION

PART: X-CUST-WS-48-24



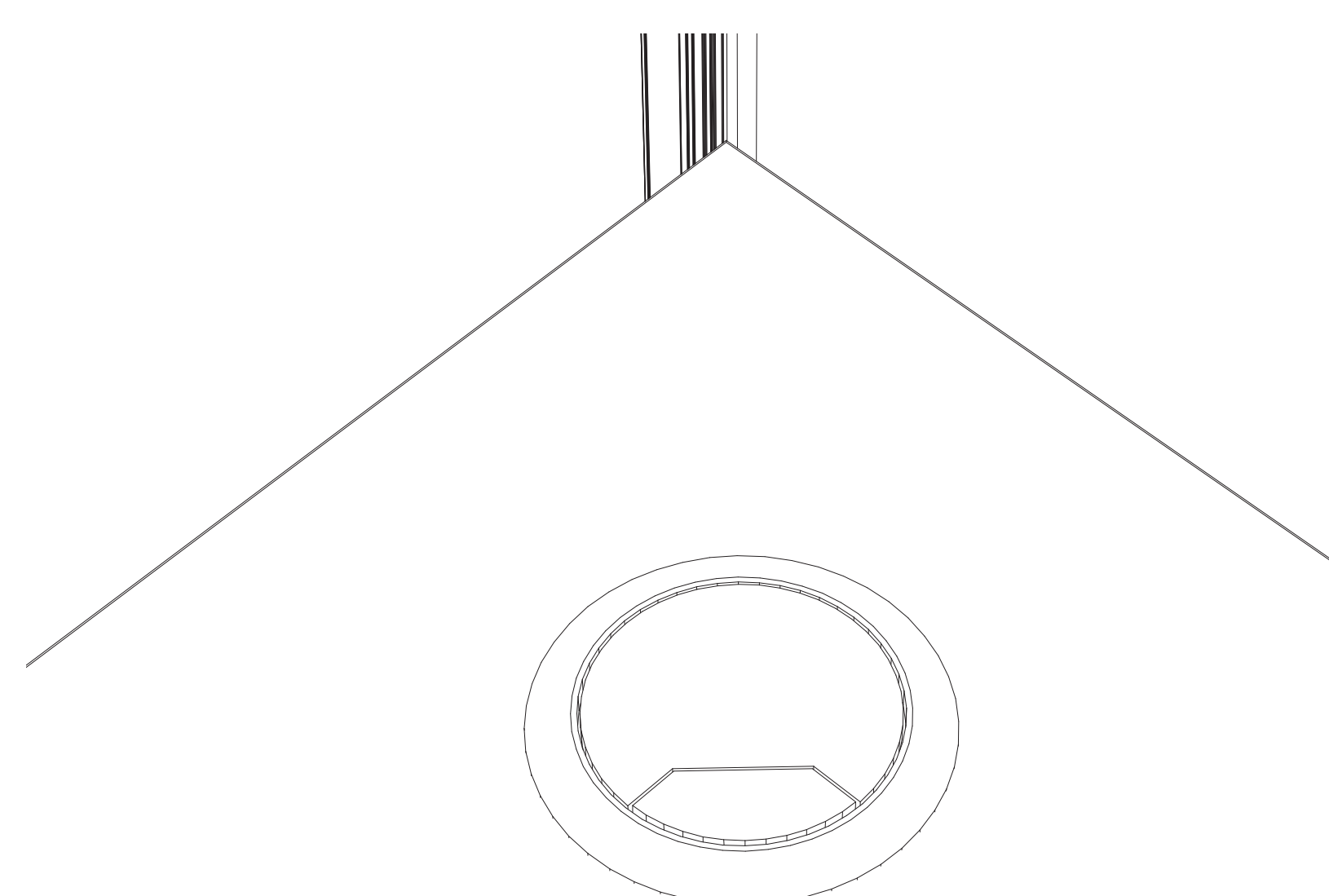
WIDTH	DEPTH	PART NUMBER	LIST PRICE
48"	24"	X-CUST-WS-48-24	\$270
48"	30"	X-CUST-WS-48-30	\$355
48"	48"	X-CUST-WS-48-48	\$528
72"	24"	X-CUST-WS-72-24	\$505
72"	30"	X-CUST-WS-72-30	\$525
72"	48"	X-CUST-WS-72-48	\$792
96"	24"	X-CUST-WS-96-24	\$585
96"	30"	X-CUST-WS-96-30	\$605
96"	48"	X-CUST-WS-96-48	\$1056

NOTES:

- DIMENSIONED DRAWINGS MUST BE PROVIDED FOR ALL CUSTOM SURFACE ORDERS
- GROMMETS MUST BE SPECIFIED/PURCHASED SEPERATELY. **SEE PAGE-27**



WORK SURFACE GROMMET



FEATURES:

- REMOVABLE TOP FOR LARGE CORDS

TO ORDER, SPECIFY:

- PART NUMBER

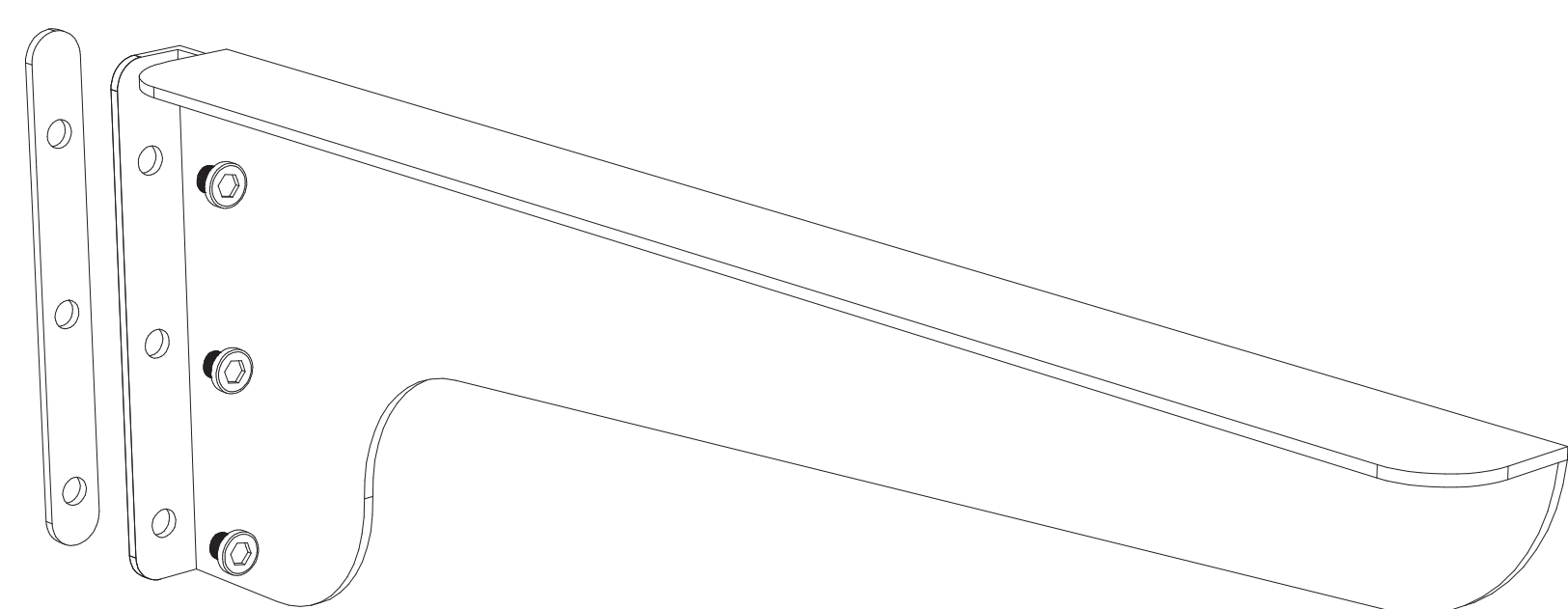
TOP DIAMETER	COLOR	PART NUMBER	LIST PRICE
2.75"	BLACK	X-WS-GRMT	\$50

NOTES:

- ONLY AVAILABLE IN BLACK
- 2 3/8" HOLE DIAMETER
- BOTTOM OF THE GROMMET MAY BE WRAPPED IN MASKING TAPE TO ENSURE A SNUG FIT



X1 CANTILEVERS



TO ORDER, SPECIFY:

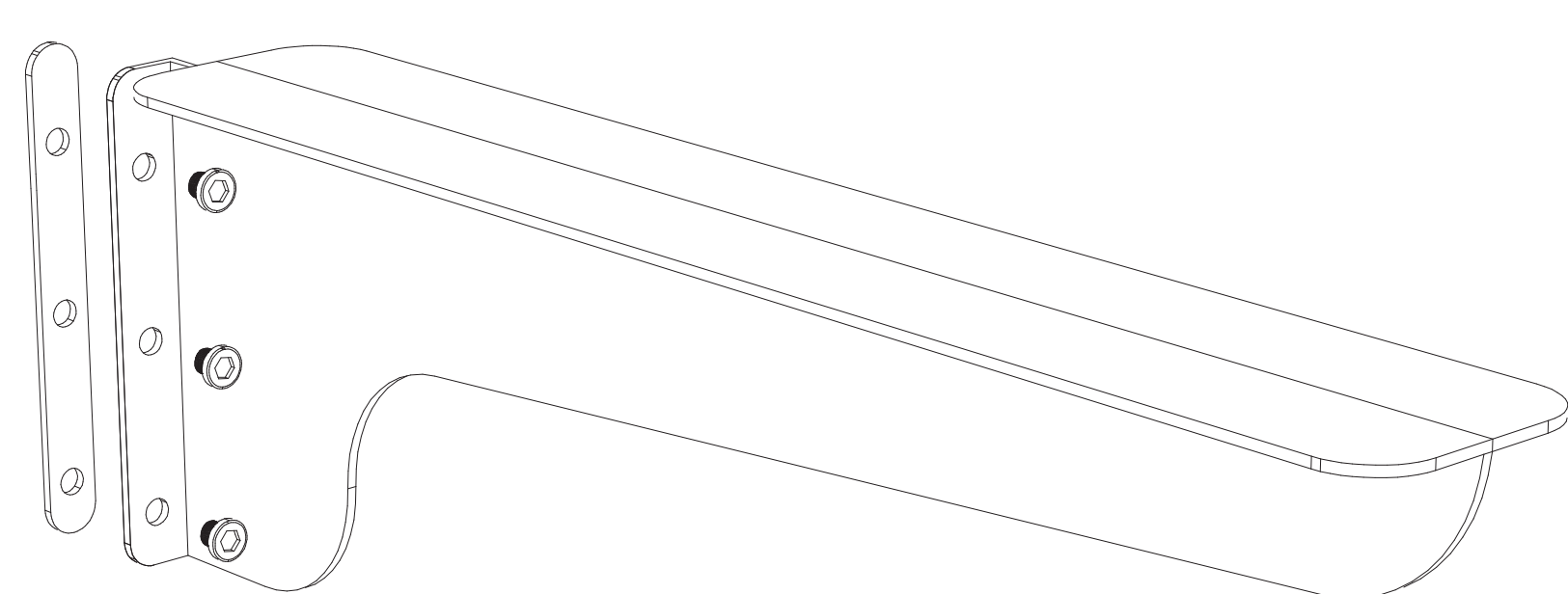
- PART NUMBER
- DIRECTION
- COLOR

PART: X1-CANT-L-SV



TYPE	DIRECTION		PART NUMBER	LIST PRICE
X1	LEFT		X1-CANT-L-?	\$20
X1	RIGHT	(SHOWN ABOVE)	X1-CANT-R-?	\$20

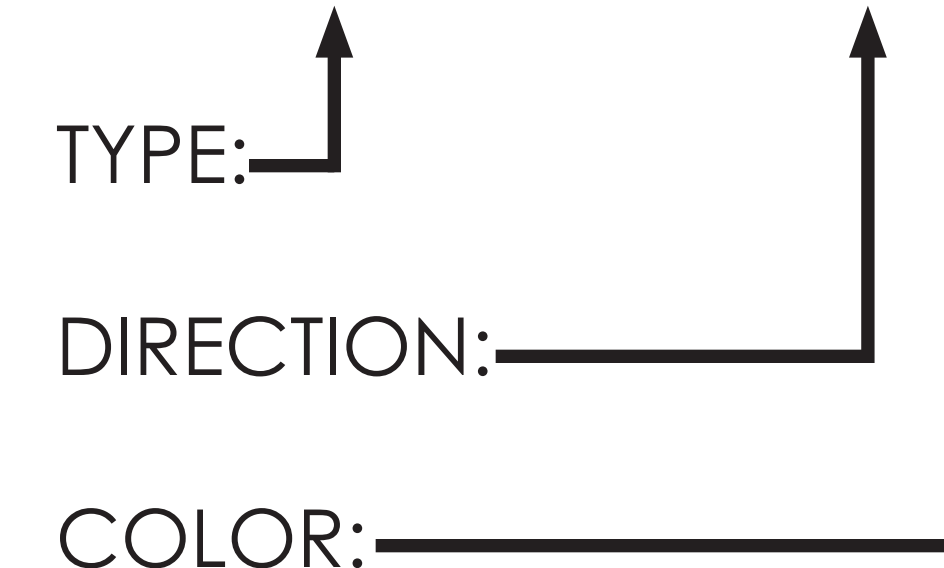
X1 SHARED CANTILEVERS



TO ORDER, SPECIFY:

- PART NUMBER
- DIRECTION
- COLOR

PART: X1-CANT-SHD-L-SV



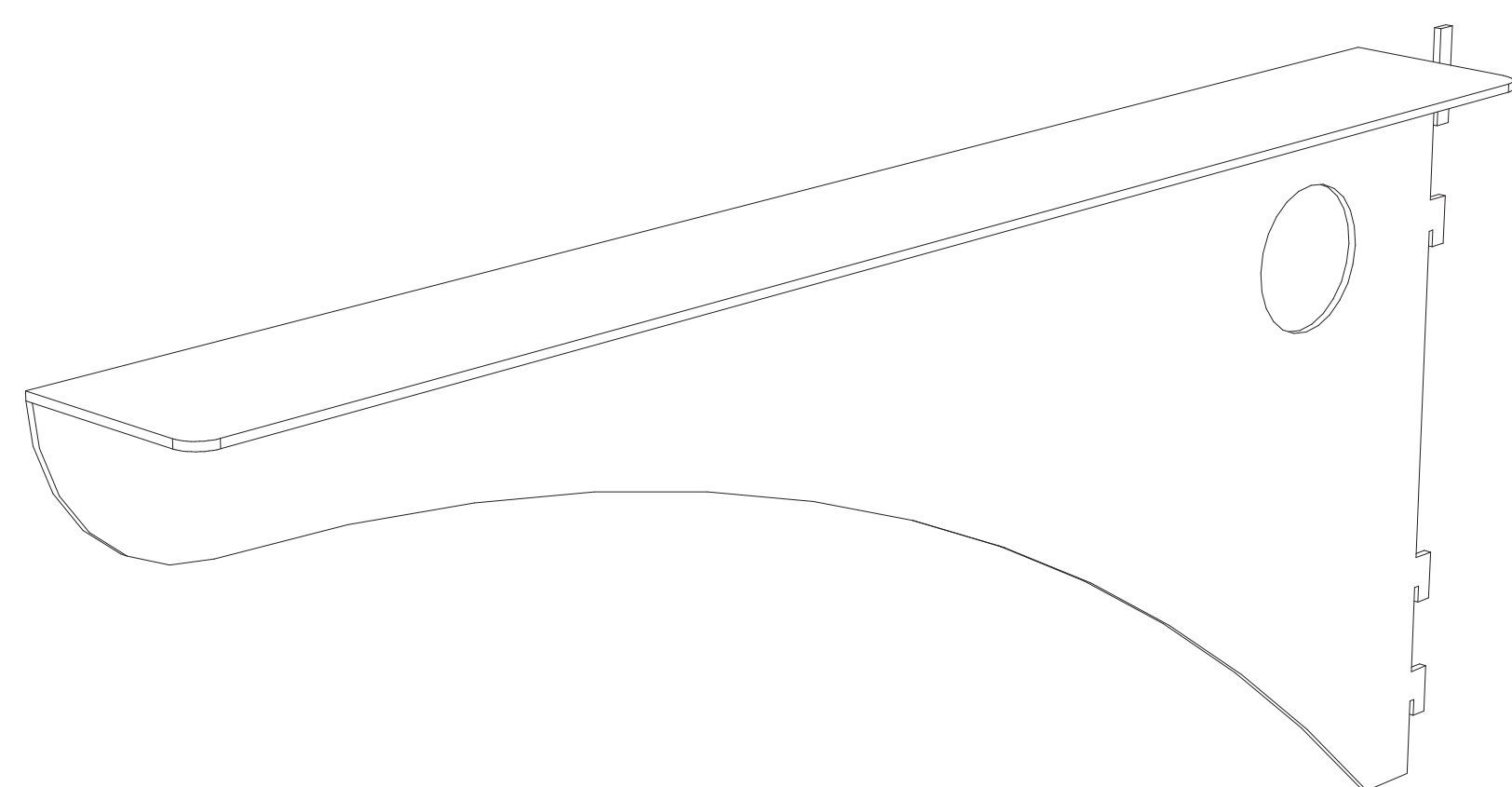
TYPE	DIRECTION		PART NUMBER	LIST PRICE
X1	LEFT		X1-CANT-SHD-L-?	\$20
X1	RIGHT	(SHOWN ABOVE)	X1-CANT-SHD-R-?	\$20

NOTES:

- X1 CANTILEVERS SHOULD BE USED ON X1 PANELS ONLY.



X3 CANTILEVERS



TO ORDER, SPECIFY:

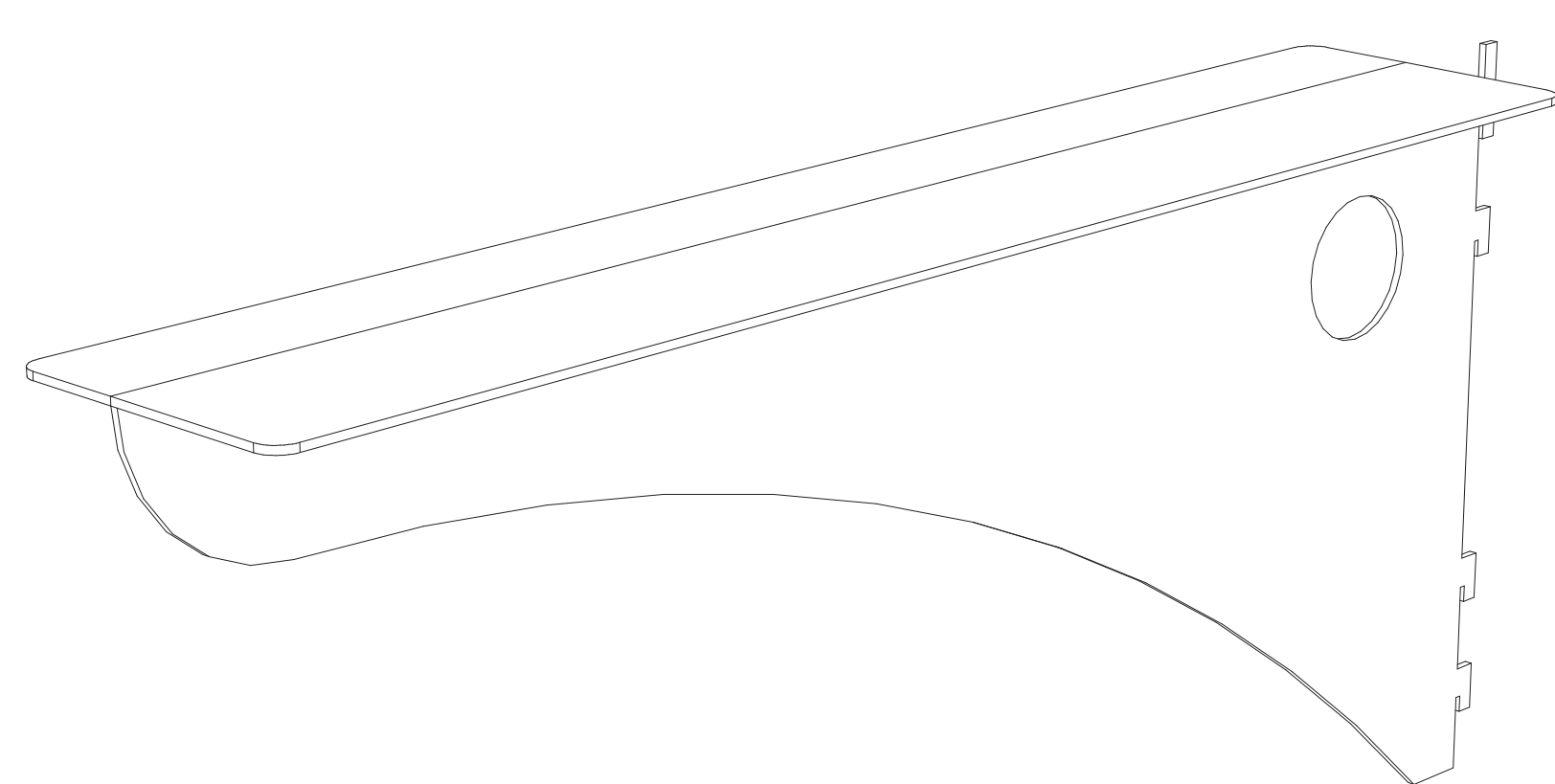
- PART NUMBER
- DIRECTION
- COLOR

PART: X3-CANT-L-SV



TYPE	DIRECTION		PART NUMBER	LIST PRICE
X3	LEFT	(SHOWN ABOVE)	X3-CANT-L-?	\$25
X3	RIGHT		X3-CANT-R-?	\$25

X3 SHARED CANTILEVERS



TO ORDER, SPECIFY:

- PART NUMBER
- DIRECTION
- COLOR

PART: X3-CANT-SHD-L-SV



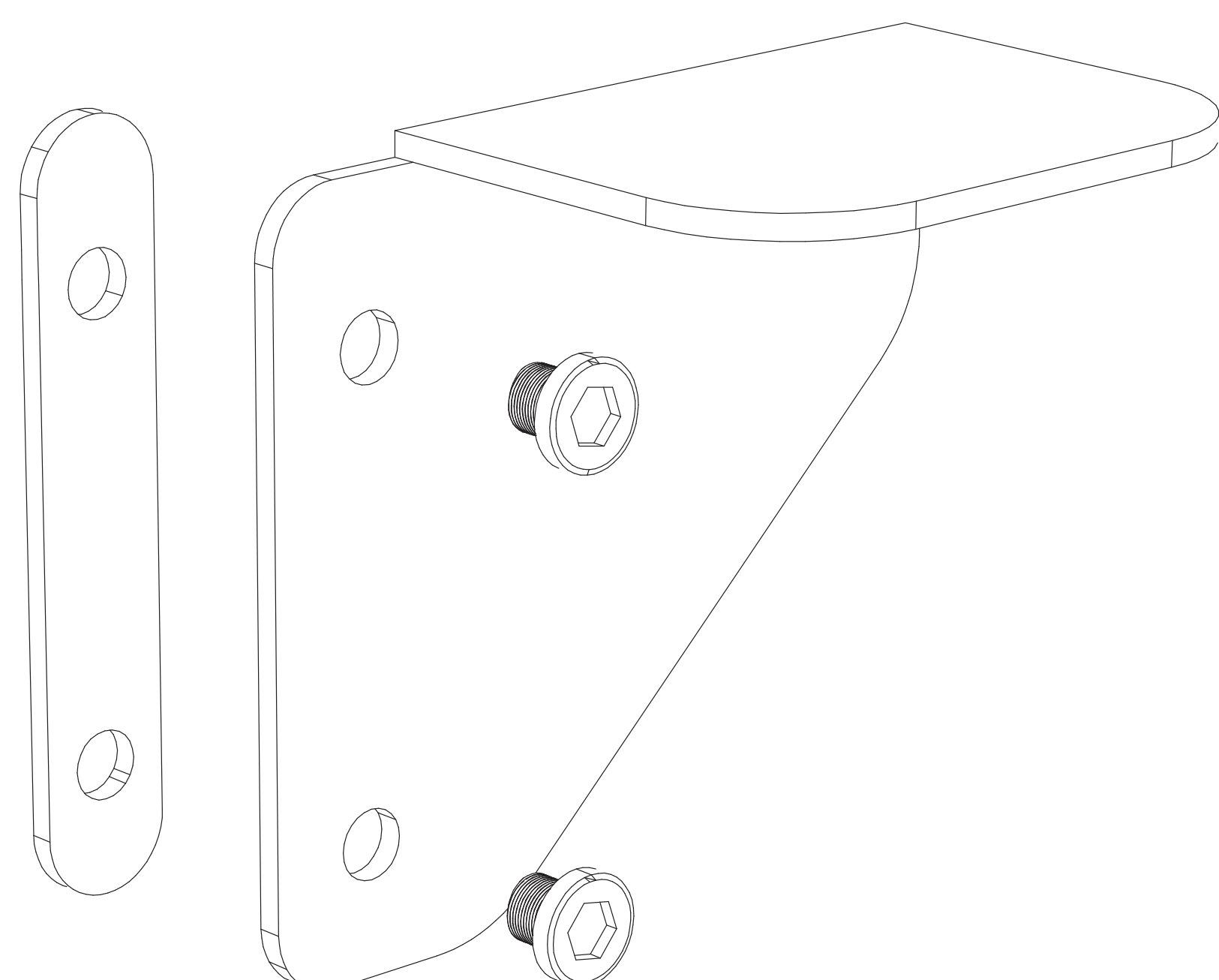
TYPE	DIRECTION		PART NUMBER	LIST PRICE
X3	LEFT	(SHOWN ABOVE)	X3-CANT-SHD-L-?	\$35
X3	RIGHT		X3-CANT-SHD-R-?	\$35

NOTES:

- X3 CANTILEVERS SHOULD BE USED ON X3 PANELS ONLY.



X1 CORNER BRACKET



NOTES:

- X1 CORNER BRACKET SHOULD BE USED ON X1 PANELS ONLY

TO ORDER, SPECIFY:

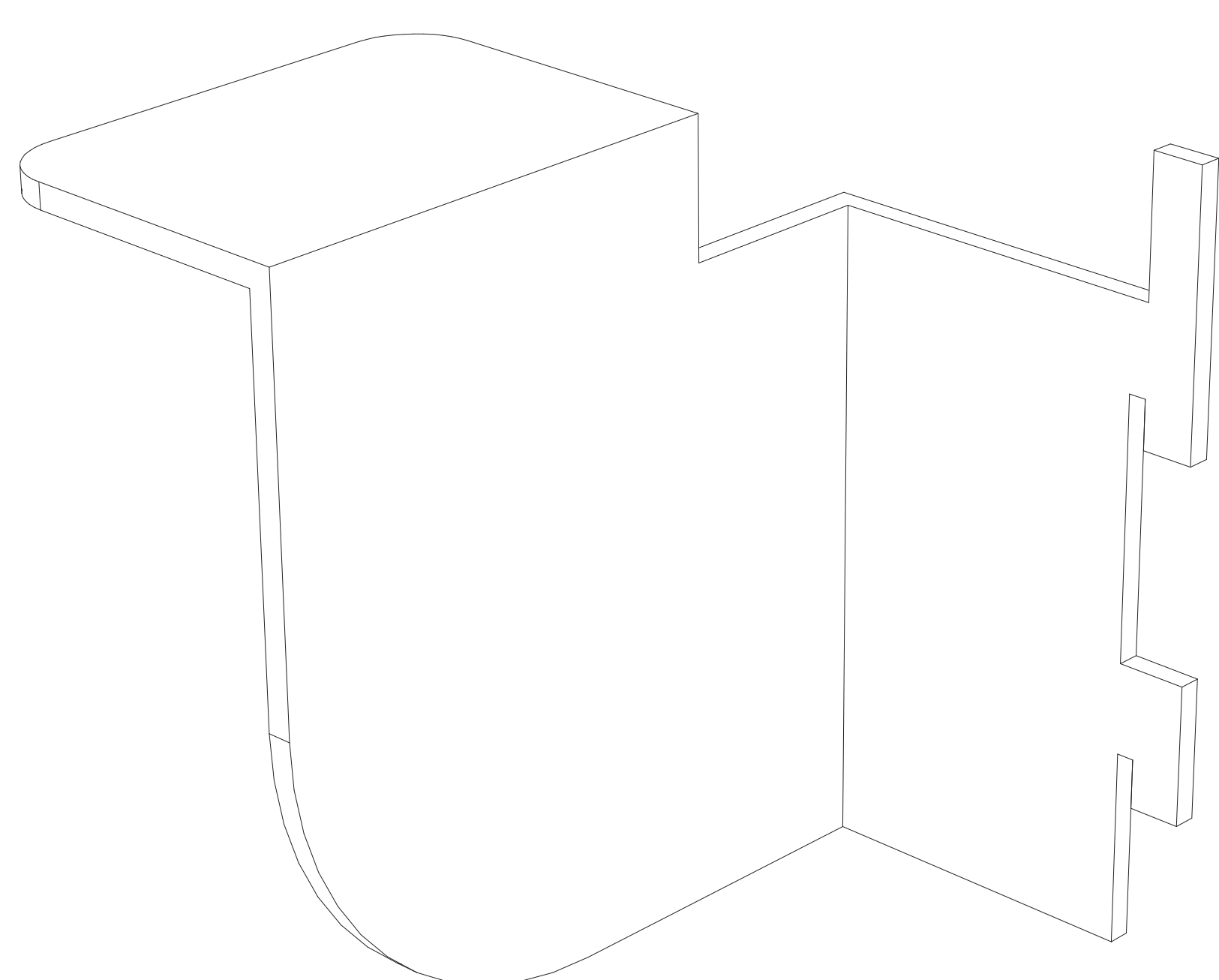
- PART NUMBER
- DIRECTION
- COLOR

PART: X1-CB-L-SV



TYPE	DIRECTION		PART NUMBER	LIST PRICE
X1	LEFT	(SHOWN ABOVE)	X1-CB-L-?	\$5
X1	RIGHT		X1-CB-R-?	\$5

X3 CORNER BRACKET



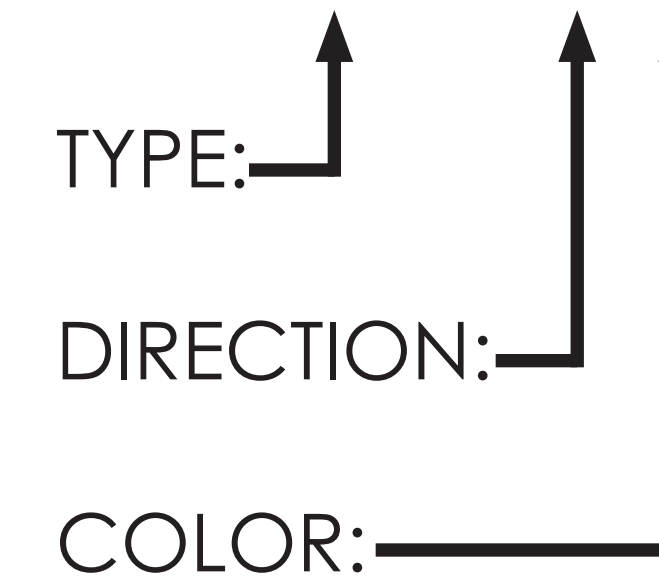
NOTES:

- X3 CORNER BRACKET SHOULD BE USED ON X3 PANELS ONLY

TO ORDER, SPECIFY:

- PART NUMBER
- DIRECTION
- COLOR

PART: X3-CB-L-SV



TYPE	DIRECTION		PART NUMBER	LIST PRICE
X3	LEFT	(SHOWN ABOVE)	X3-CB-L-?	\$5
X3	RIGHT		X3-CB-R-?	\$5



SUPPORT LEGS



FEATURES:

- LARGE MOUNTING PLATE
- BLACK ADJUSTMENT GLIDES

TO ORDER, SPECIFY:

- PART NUMBER
- WIDTH
- COLOR

PART: X-LEG-O-24-SV

WIDTH: _____

COLOR: _____

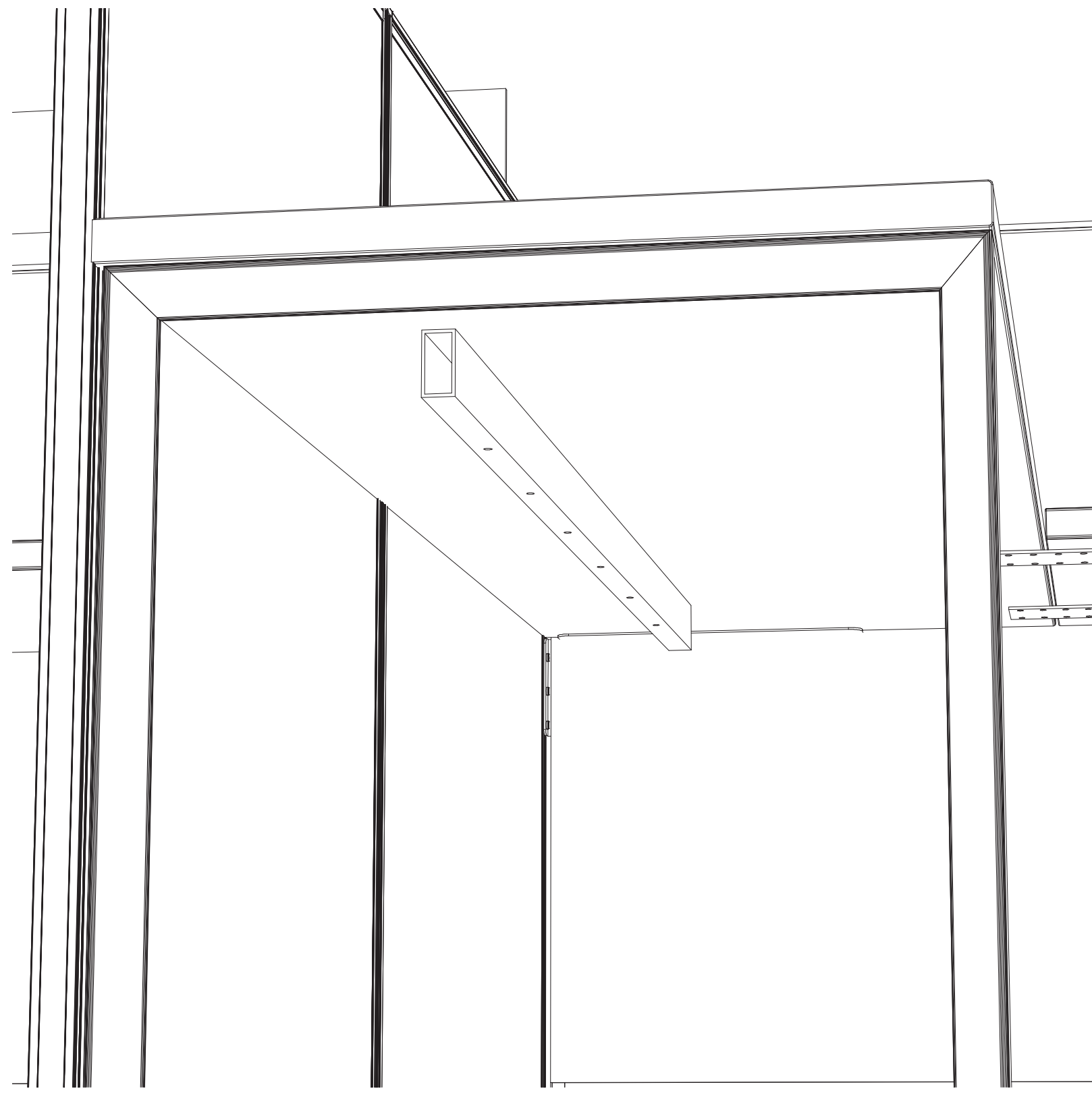
WIDTH	PART NUMBER	LIST PRICE
23.625"	X-LEG-O-24-?	\$250

NOTES:

- MUST USE A CORNER BRACKET BEHIND THE LEG TO TIE IT TO THE PANEL. **SEE PAGE-34**
- IF SPECIFIED NEXT TO A GROMMET, IT WILL COVER UP A PORTION OF THE HOLE.



SUPPORT BAR



NOTES:

- MOUNTING HARDWARE INCLUDED

TO ORDER, SPECIFY:

- PART NUMBER

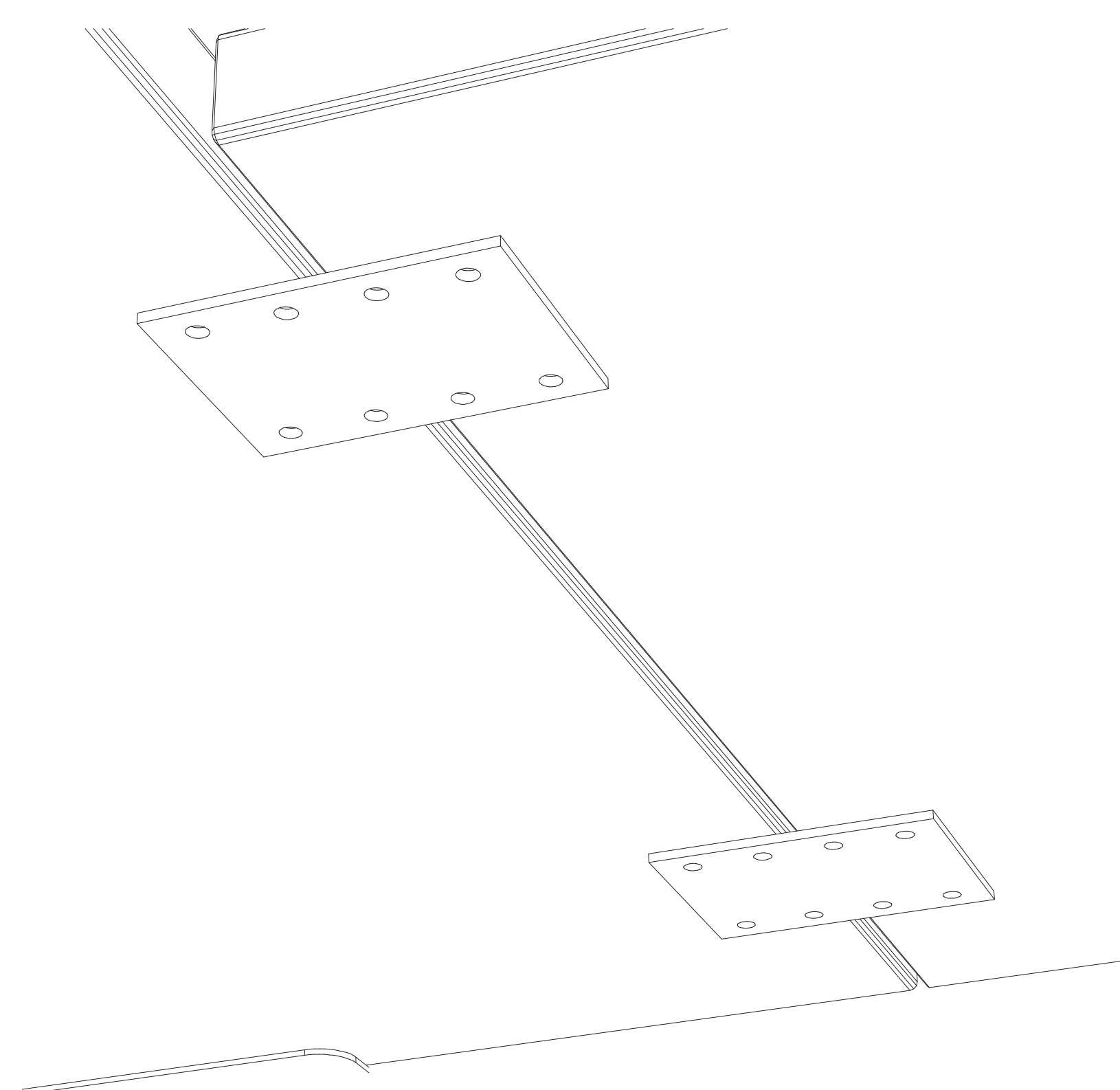
LENGTH	PART NUMBER	LIST PRICE
54"	X-SPRT-54	\$140

NOTES:

- MUST BE USED ON 60" WORKSURFACES WITHOUT A CENTER SUPPORT



FLUSH MOUNT SUPPORT KIT



FEATURES:

- 2QTY BRACKETS INCLUDED IN KIT

TO ORDER, SPECIFY:

- PART NUMBER

LENGTH	WIDTH	PART NUMBER	LIST PRICE
23.625"		X-FMK-2	\$35



MOBILE PEDESTAL



FEATURES:

- TWO KEYS INCLUDED WITH EVERY LOCK
- 5TH WHEEL DESIGN TO PREVENT TIPPING
- LOCKING FRONT WHEELS
- PENCIL TRAY INCLUDED

TO ORDER, SPECIFY:

- PART NUMBER
- COLOR
- SEAT CUSHION FABRIC

PART: X-6612-MPED-SV

COLOR: _____ ↑

WIDTH	HEIGHT	DEPTH	PART NUMBER	LIST PRICE
15.75"	23.25"	19"	X-6612-MPED-?	\$500

MOBILE PEDESTAL WITH SEAT CUSHION



FEATURES:

- TWO KEYS INCLUDED WITH EVERY LOCK
- 5TH WHEEL DESIGN TO PREVENT TIPPING
- LOCKING FRONT WHEELS
- PENCIL TRAY INCLUDED

TO ORDER, SPECIFY:

- PART NUMBER
- COLOR
- SEAT CUSHION FABRIC

PART: X-6612-MPED-C-SV

COLOR: _____ ↑

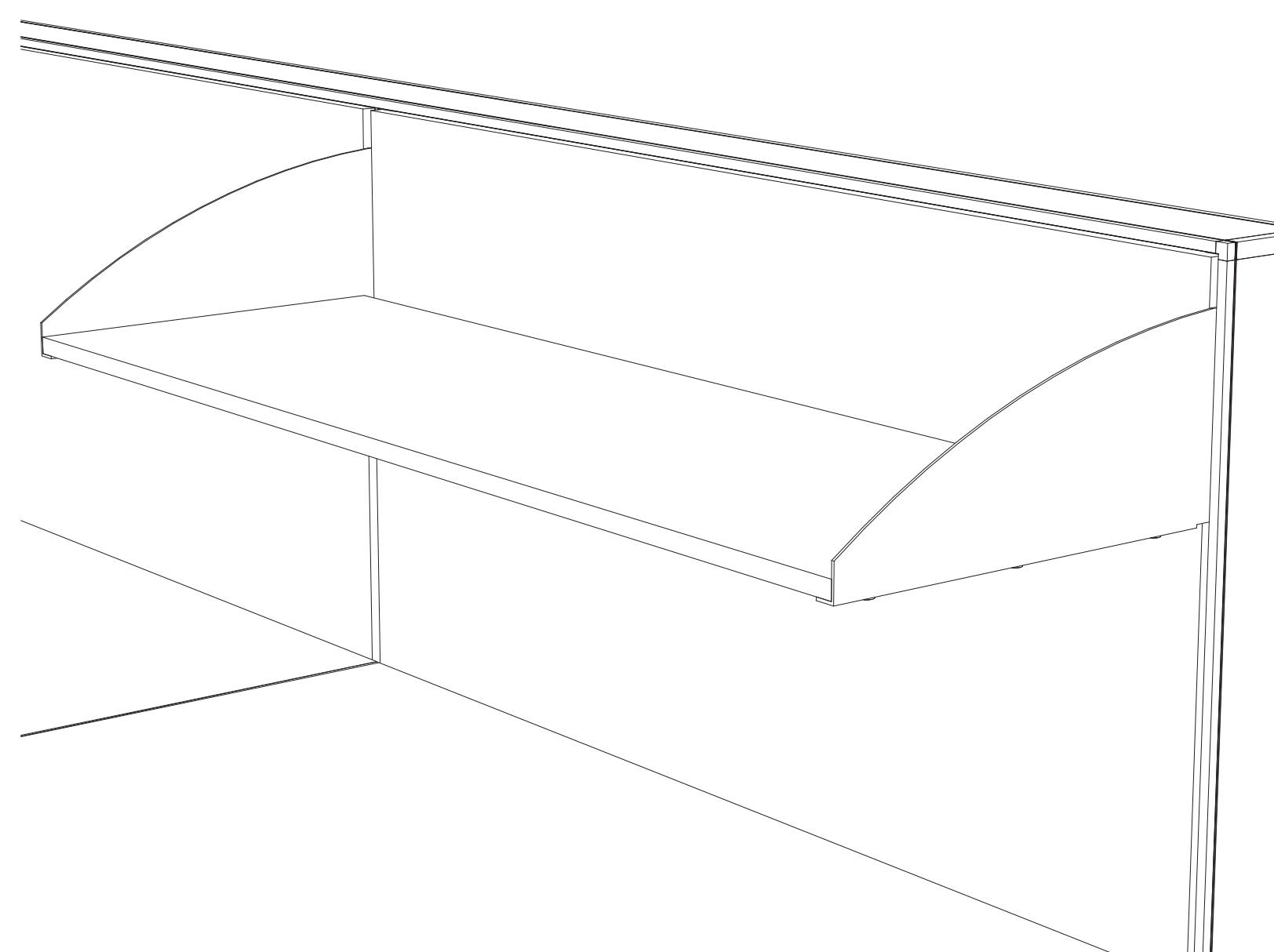
WIDTH	HEIGHT	DEPTH	PART NUMBER	LIST PRICE
15.75"	25.5" (INCLUDING CUSHION)	19"	X-6612-MPED-C-?	\$800

NOTES:

- PEDESTAL SEAT CUSHIONS AVAILABLE IN MULTIPLE COLORS. SEE ECHO GRADE-A FABRICS
- KEYS WILL NOT WORK WITH R-SERIES LOCKS



LOW SHELF



NOTES:

- SHELF WILL NOT WORK ON X1 PANELS
- MUST INSTALL AT THE TOP OF THE PANEL

TO ORDER, SPECIFY:

- PART NUMBER
- COLOR

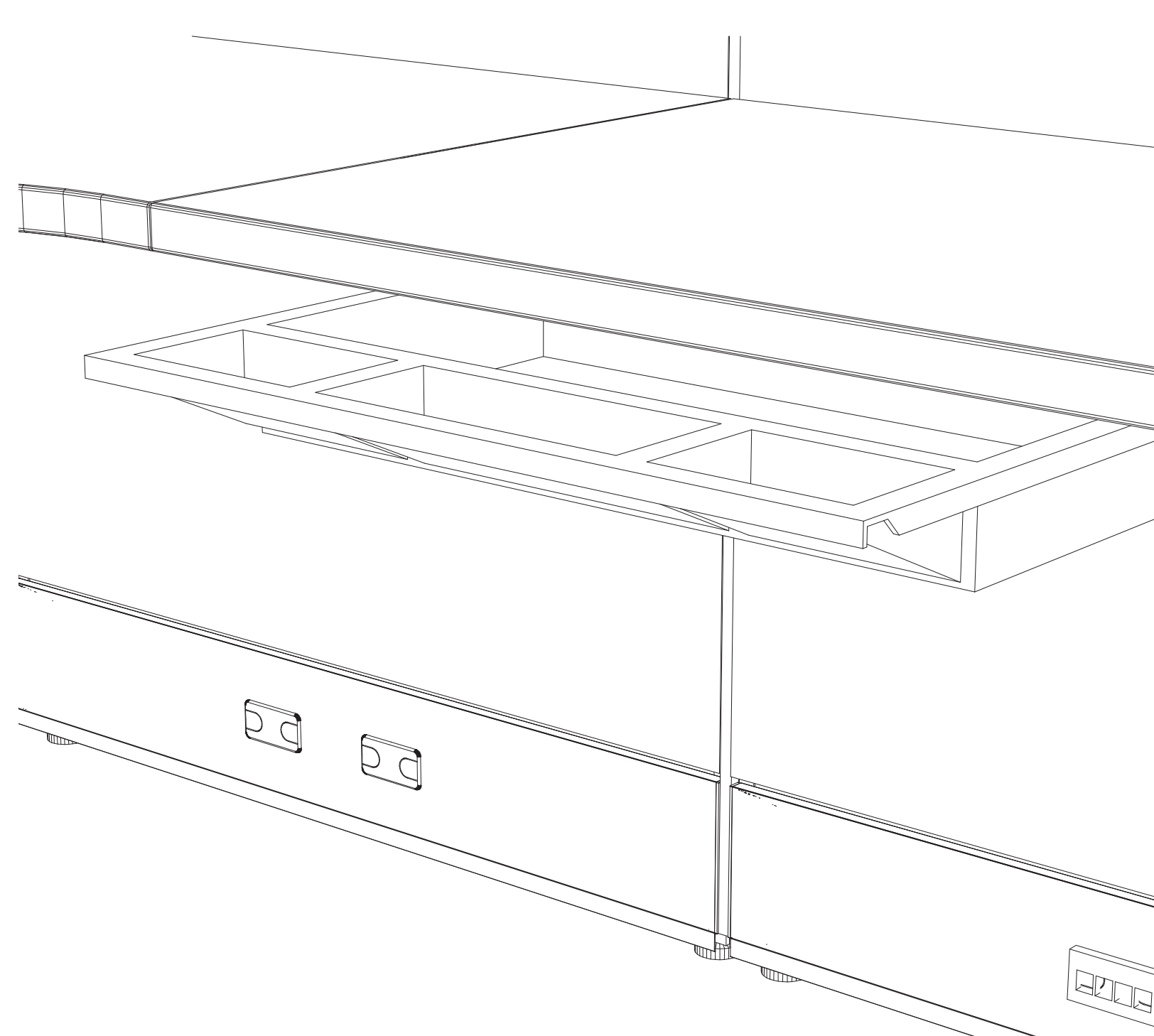
PART: X3-SLF-L-36-SV

WIDTH: _____

COLOR: _____

WIDTH	HEIGHT	DEPTH	PART NUMBER	LIST PRICE
36"	5"	11.5"	X3-SLF-L-36-X	\$155

PENCIL DRAWER



NOTES:

- PENCIL DRAWER ONLY AVAILABLE IN GRAPHITE

TO ORDER, SPECIFY:

- PART NUMBER

WIDTH	HEIGHT	DEPTH	COLOR	PART NUMBER	LIST PRICE
20.5"	3"	15"	GRAPHITE	X-PD-GR	\$65



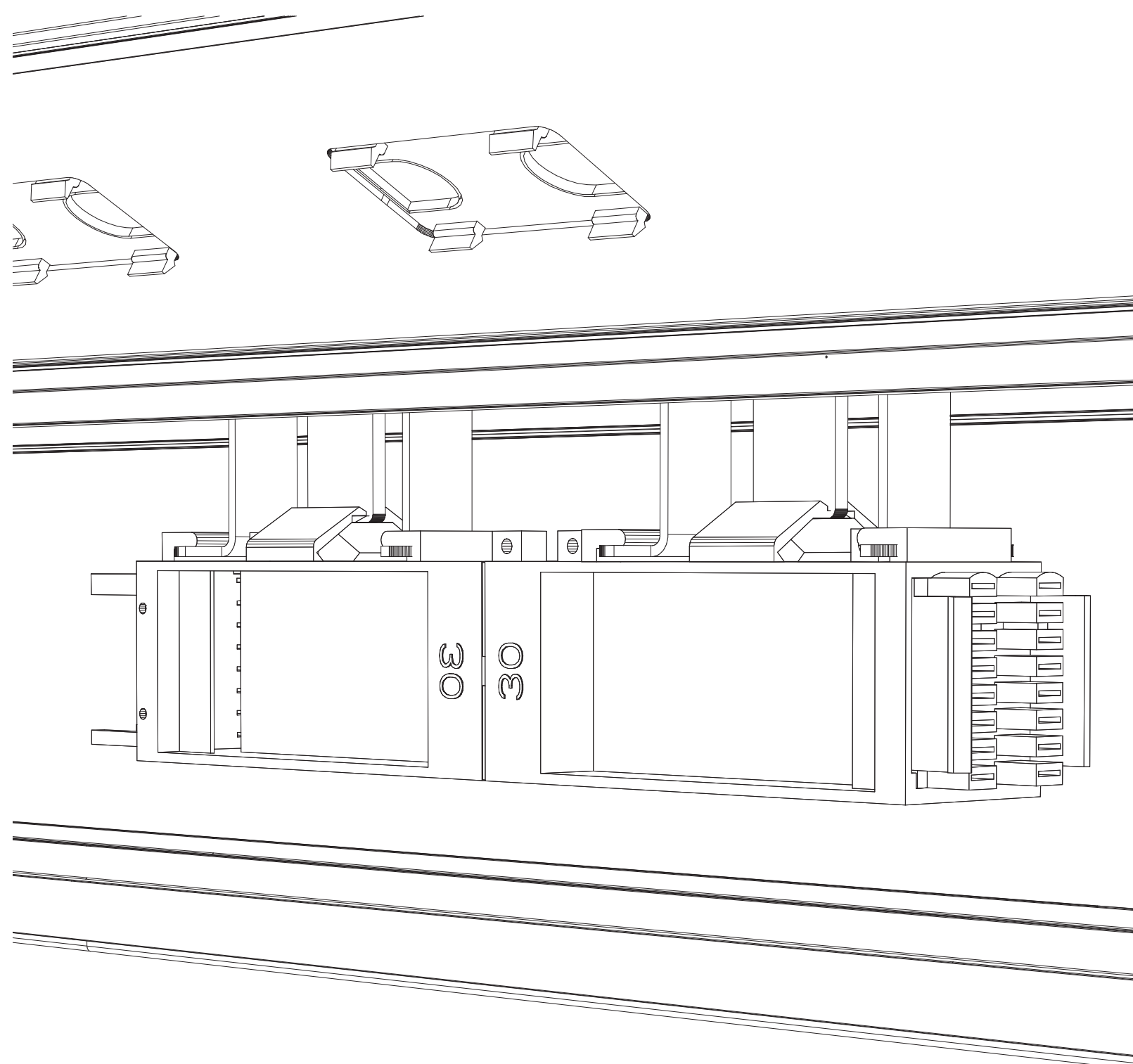
X3 DOUBLE POWER BLOCK

FEATURES:

- ATTACHMENT HOOKS ARE PRE-MOUNTED
- EASY SLIDE AND SNAP INSTALL
- INSTALL UP TO 4 DUPLEX RECEPTACLES

TO ORDER, SPECIFY:

- PART NUMBER



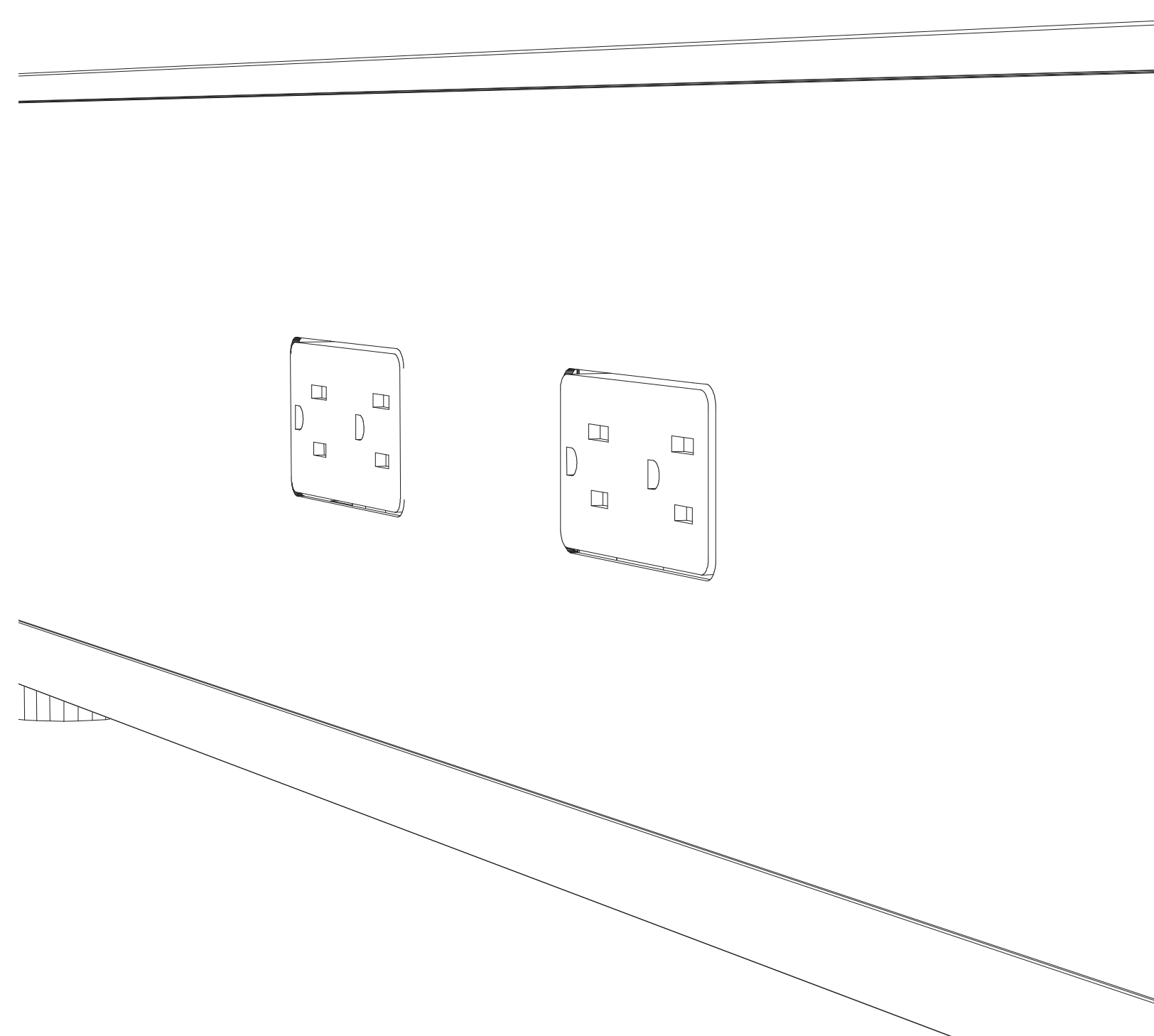
WIDTH	HEIGHT	DUPLEX OPENINGS	PART NUMBER	LIST PRICE
6"	2.5"	2	XE-BLK-DBL-1	\$145
10"	2.5"	4 (SHOWN ABOVE)	XE-BLK-DBL-2	\$200

NOTES:

- DUPLEX RECEPTACLES SPECIFIED SEPARATELY **SEE PAGE-35**



X3 DUPLEX RECEPTACLES



FEATURES:

- EASY SLIDE AND SNAP INSTALL
- RECEPTACLES FIT IN EXISTING CUTOUTS

TO ORDER, SPECIFY:

- PART NUMBER
- COLOR

PART: XE-DPX-1-SV

CIRCUIT: 

COLOR: 

WIDTH	HEIGHT	CIRCUIT	PART NUMBER	LIST PRICE
2.6"	1.26"	CIRCUIT-1	XE-DPX-1-?	\$50
2.6"	1.26"	CIRCUIT-2	XE-DPX-2-?	\$50
2.6"	1.26"	CIRCUIT-3	XE-DPX-3-?	\$50
2.6"	1.26"	ISOLATED GROUND	XE-DPX-IG-?	\$50

NOTES:

- CIRCUIT NUMBER IS CALLED OUT ON THE DUPLEX



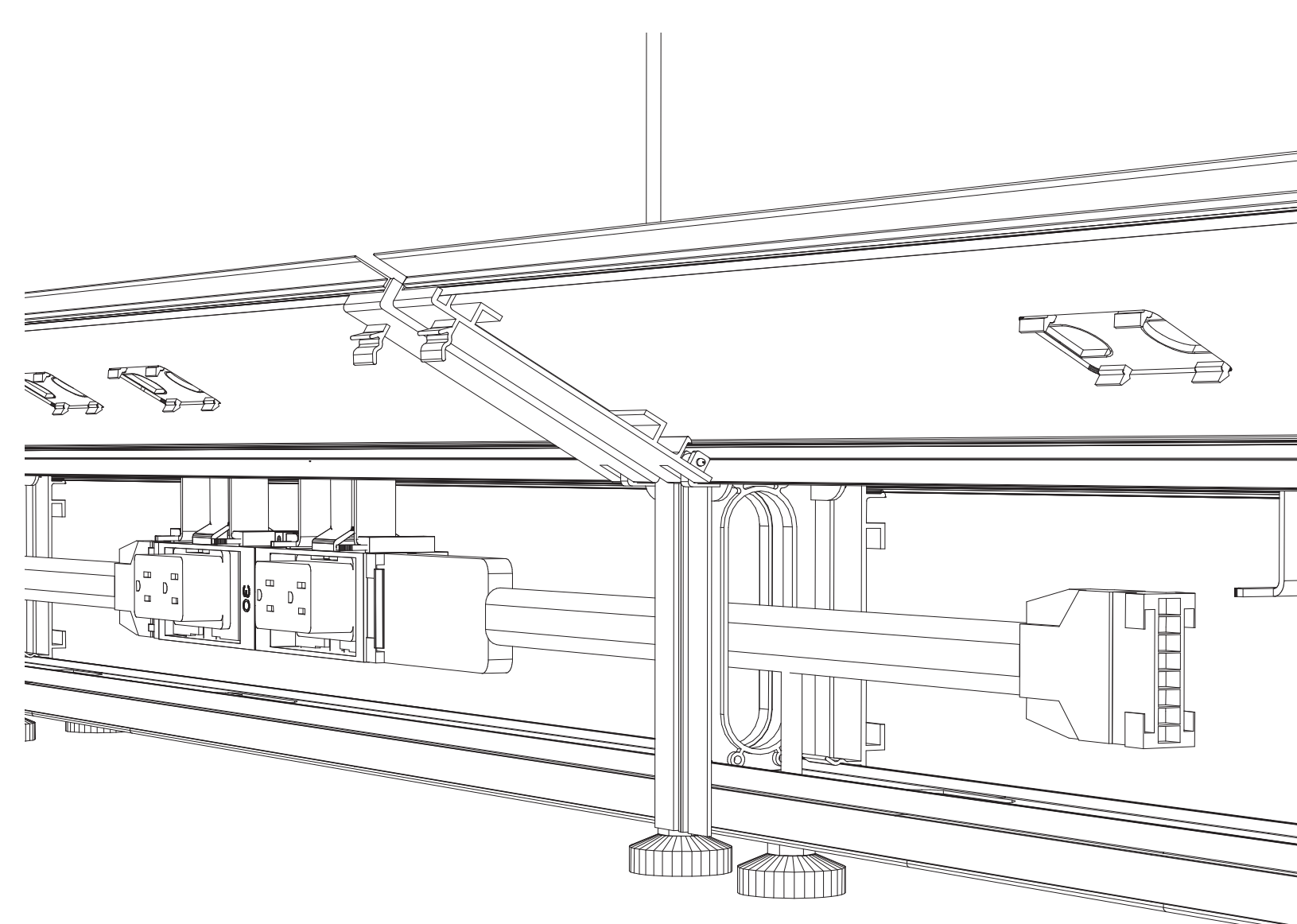
X3 MALE-MALE JUMPER

FEATURES:

- WRAPPED IN FLEXIBLE METAL CONDUIT
- ADJUSTABLE BY UP TO 3"

TO ORDER, SPECIFY:

- PART NUMBER
- LENGTH



PART: XE-JMP-MM-24

LENGTH: _____ ↑

LENGTH	PART NUMBER	LIST PRICE
16"	XE-JMP-MM-16	\$180
22"	XE-JMP-MM-22	\$195
28"	XE-JMP-MM-28	\$210
34"	XE-JMP-MM-34	\$220
40"	XE-JMP-MM-40	\$235
46"	XE-JMP-MM-46	\$245
52"	XE-JMP-MM-52	\$275
58"	XE-JMP-MM-58	\$275
64"	XE-JMP-MM-64	\$305
70"	XE-JMP-MM-70	\$320
76"	XE-JMP-MM-76	\$335
82"	XE-JMP-MM-82	\$350
88"	XE-JMP-MM-88	\$365
94"	XE-JMP-MM-94	\$375
100"	XE-JMP-MM-100	\$395
106"	XE-JMP-MM-106	\$410
112"	XE-JMP-MM-112	\$425



LENGTH	PART NUMBER	LIST PRICE
118"	XE-JMP-MM-118	\$435
124"	XE-JMP-MM-124	\$455
130"	XE-JMP-MM-130	\$470
136"	XE-JMP-MM-136	\$480
142"	XE-JMP-MM-142	\$495
148"	XE-JMP-MM-148	\$510
154"	XE-JMP-MM-154	\$525
160"	XE-JMP-MM-160	\$535

X3 MALE-MALE JUMPER CONNECTOR / SPLITTER

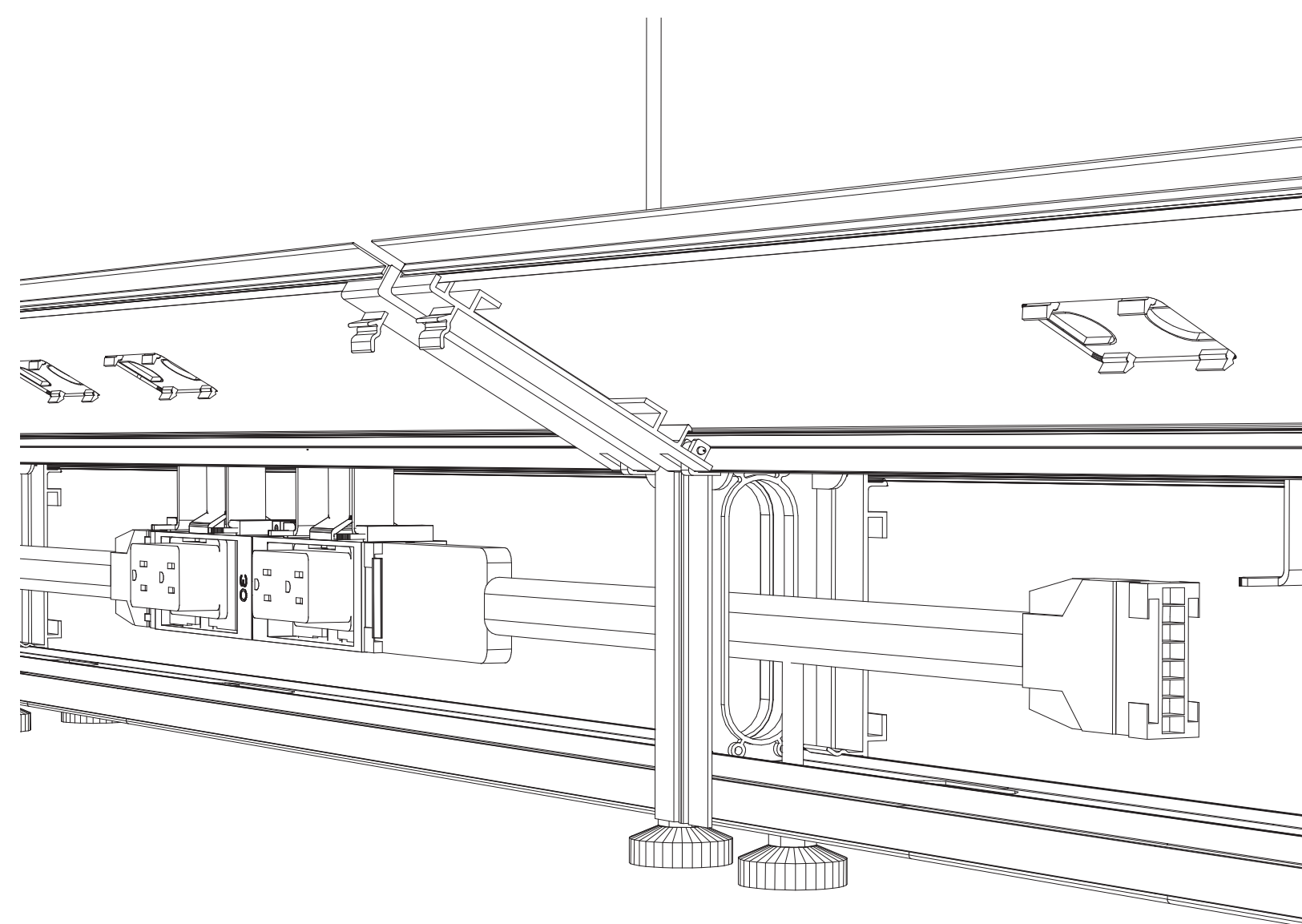
TO ORDER, SPECIFY:

- PART NUMBER

DESCRIPTION	PART NUMBER	LIST PRICE
CONNECTOR USED TO CONNECT MALE-MALE POWER JUMPERS OR SPLIT THEM OFF IN TWO DIRECTIONS	XE-MM-CNTR	\$65



X3 FEMALE-MALE JUMPER EXTENSION



FEATURES:

- WRAPPED IN FLEXIBLE METAL CONDUIT
- ADJUSTABLE BY UP TO 3"

TO ORDER, SPECIFY:

- PART NUMBER
- LENGTH

PART: XE-JMP-FM-24

LENGTH:

LENGTH	PART NUMBER	LIST PRICE
12"	XE-JMP-FM-12	\$175
18"	XE-JMP-FM-18	\$185
24"	XE-JMP-FM-24	\$200
30"	XE-JMP-FM-30	\$215
36"	XE-JMP-FM-36	\$225
42"	XE-JMP-FM-42	\$240
48"	XE-JMP-FM-48	\$250
54"	XE-JMP-FM-54	\$280
60"	XE-JMP-FM-60	\$280
66"	XE-JMP-FM-66	\$310
72"	XE-JMP-FM-72	\$325
78"	XE-JMP-FM-78	\$340
84"	XE-JMP-FM-84	\$355
90"	XE-JMP-FM-90	\$370
96"	XE-JMP-FM-96	\$380



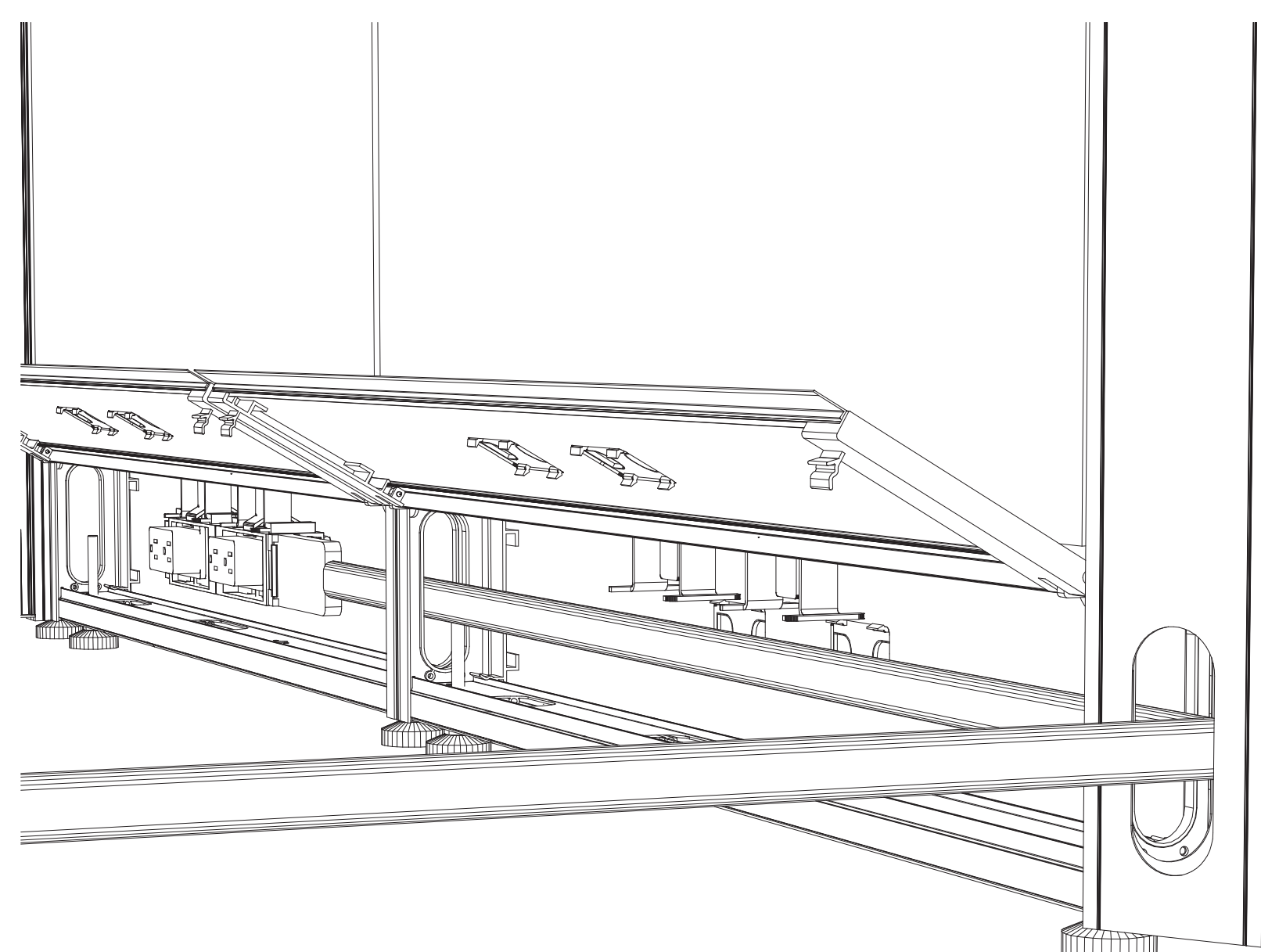
X3 BASE INFEED

FEATURES:

- WRAPPED IN LIQUID TIGHT CONDUIT

TO ORDER, SPECIFY:

- PART NUMBER
- LENGTH



PART: XE-BFM-96

LENGTH: 

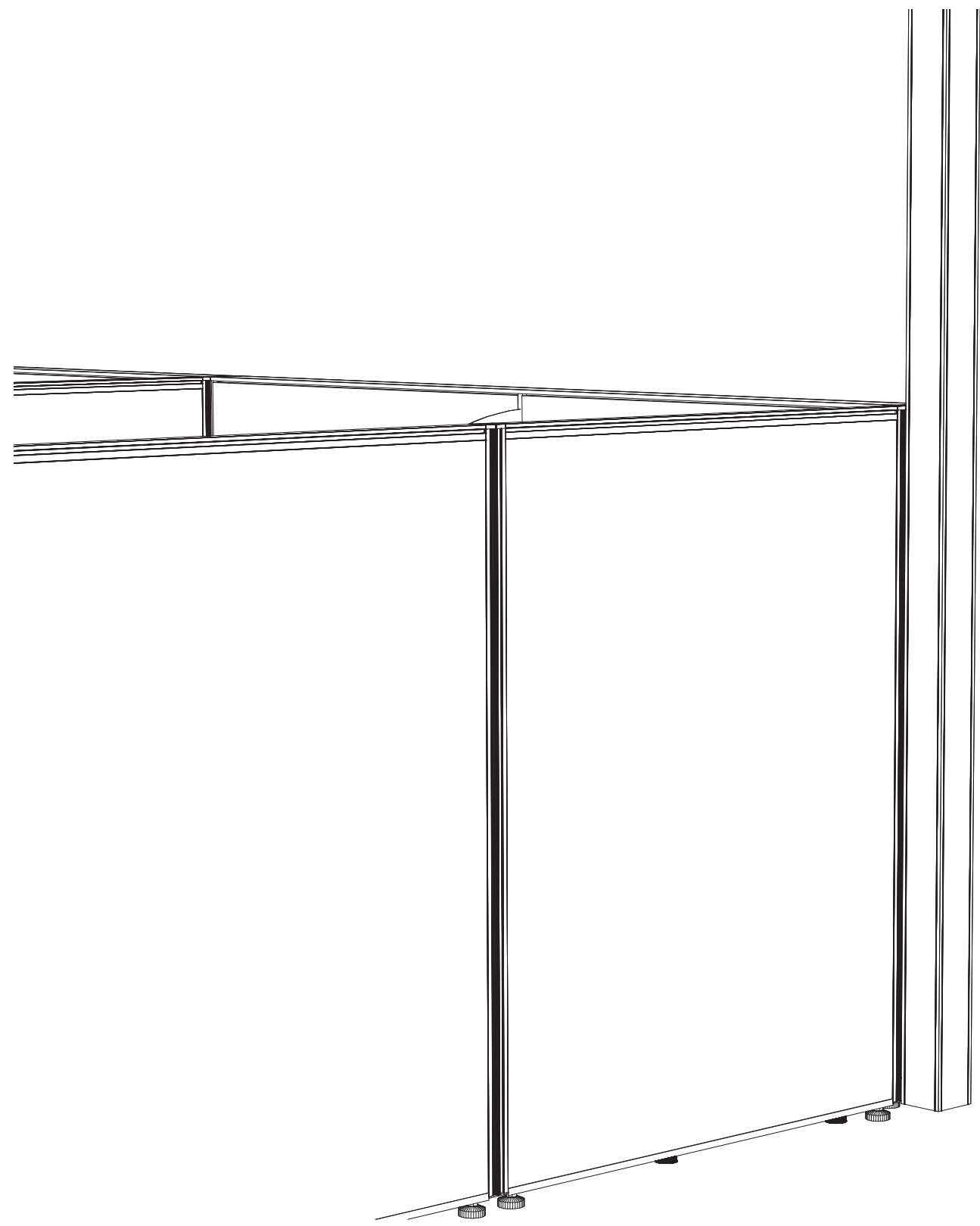
LENGTH		PART NUMBER	LIST PRICE
60"		XE-BFM-60	\$345
96"	(SHOWN ABOVE)	XE-BFM-96	\$460

NOTES:

- 60" BASEFEED USED TO INSTALL INTO PANEL WITH MOUNTED POWER BLOCK
- 96" BASEFEED USED TO JUMP A SINGLE PANEL THEN INSTALL INTO PANEL WITH MOUNTED POWER BLOCK **(SHOWN ABOVE)**



X3 2-WAY TOP FEED



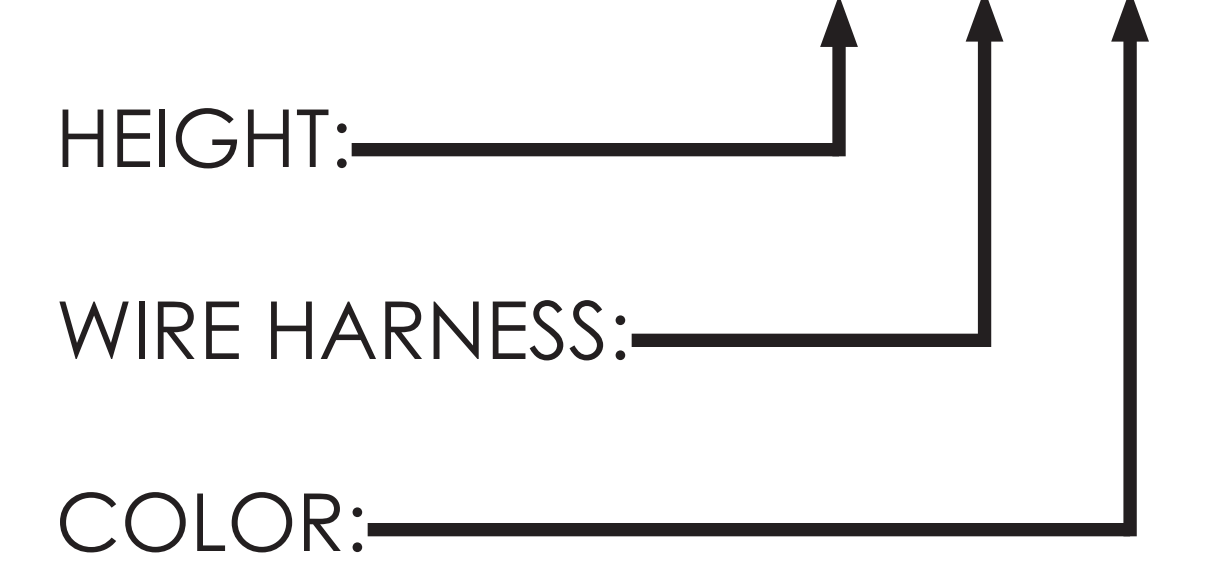
FEATURES:

- INCLUDES 47" 2-WAY X31 POST
- MULTIPLE INFED LENGTHS TO JUMP PANEL

TO ORDER, SPECIFY:

- PART NUMBER
- HEIGHT
- WIRE HARNESS LENGTH
- COLOR

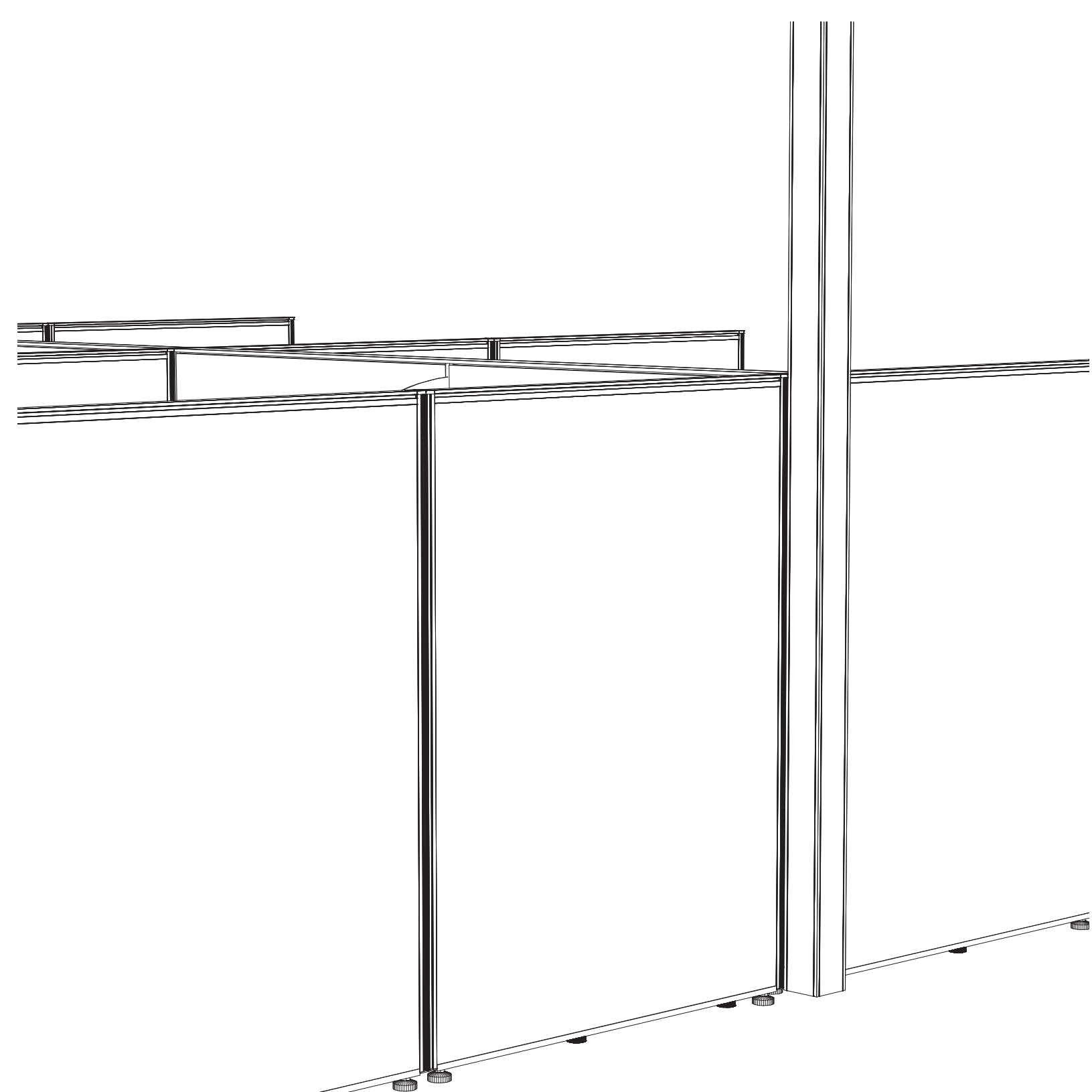
PART: XE-TFM-2-47-10-144-SV



HEIGHT	CONNECTION	WIRE HARNESS LENGTH	PART NUMBER	LIST PRICE
10'	2-WAY	144"	XE-TFM-2-47-10-144-?	\$1555
10'	2-WAY	180"	XE-TFM-2-47-10-180-?	\$1650
12'	2-WAY	144"	XE-TFM-2-47-12-144-?	\$1625
12'	2-WAY	180"	XE-TFM-2-47-12-180-?	\$1720
14'	2-WAY	180"	XE-TFM-2-47-14-180-?	\$1815



X3 3-WAY TOP FEED



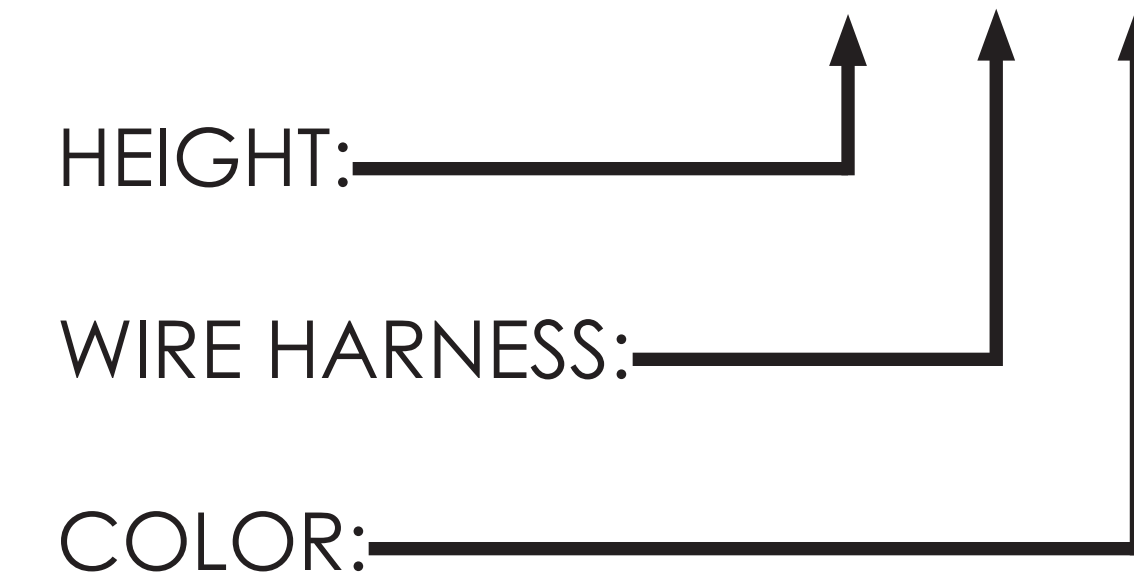
FEATURES:

- INCLUDES 47" 3-WAY X31 POST
- MULTIPLE INFEEED LENGTHS TO JUMP PANEL

TO ORDER, SPECIFY:

- PART NUMBER
- HEIGHT
- WIRE HARNESS LENGTH
- COLOR

PART: XE-TFM-3-47-10-144-SV



HEIGHT	CONNECTION	WIRE HARNESS LENGTH	PART NUMBER	LIST PRICE
10'	3-WAY	144"	XE-TFM-3-47-10-144-?	\$1555
10'	3-WAY	180"	XE-TFM-3-47-10-180-?	\$1650
12'	3-WAY	144"	XE-TFM-3-47-12-144-?	\$1625
12'	3-WAY	180"	XE-TFM-3-47-12-180-?	\$1720
14'	3-WAY	180"	XE-TFM-3-47-14-180-?	\$1815



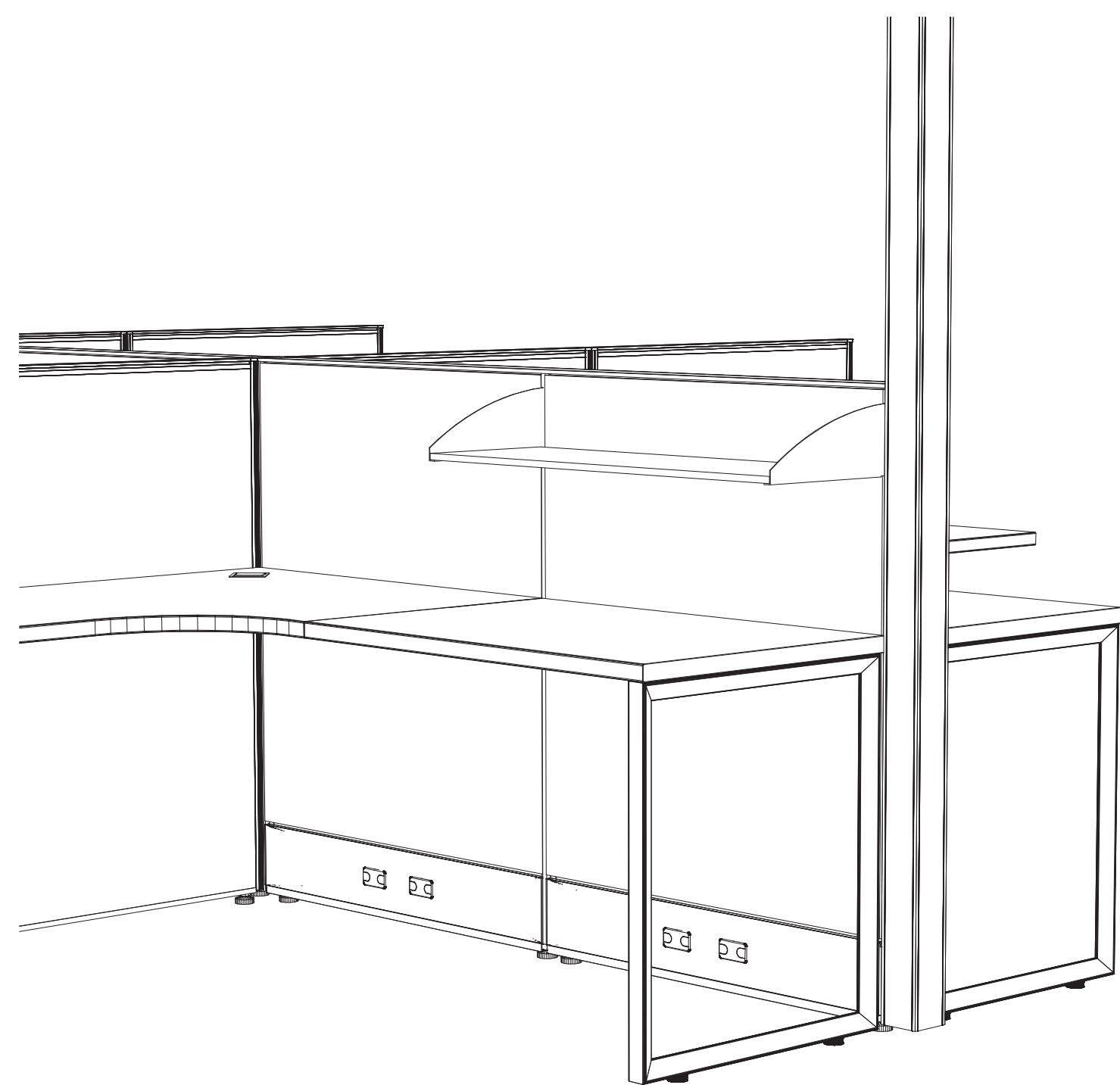
X3 END-OF-RUN TOP FEED

FEATURES:

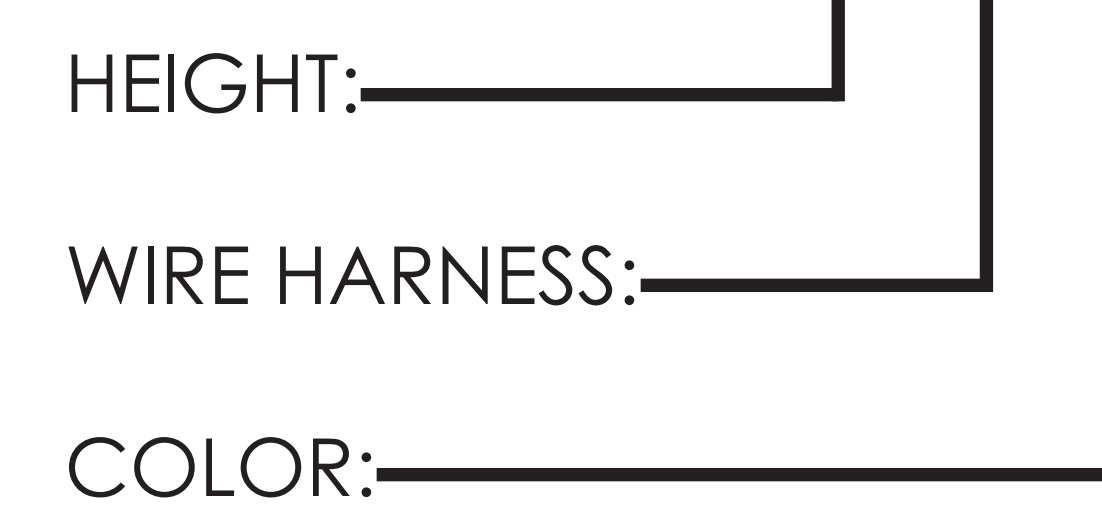
- MULTIPLE INFEEED LENGTHS TO JUMP PANEL

TO ORDER, SPECIFY:

- PART NUMBER
- HEIGHT
- WIRE HARNESS LENGTH
- COLOR



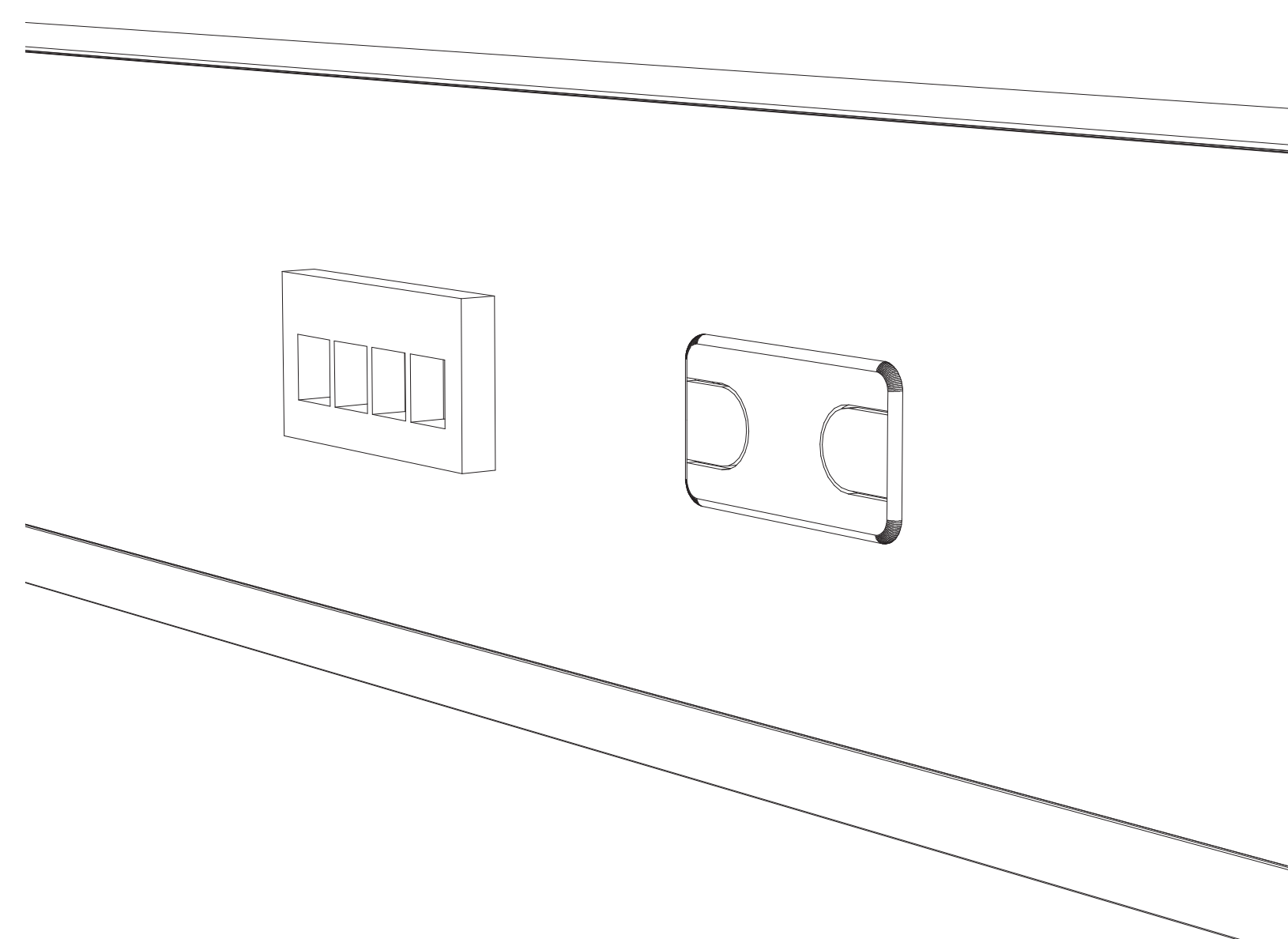
PART: XE-TFM-EOR-10-144-SV



HEIGHT	CONNECTION	WIRE HARNESS LENGTH	PART NUMBER	LIST PRICE
10'	END-OF-RUN	144"	XE-TFM-EOR-10-144-?	\$1360
10'	END-OF-RUN	180"	XE-TFM-EOR-10-180-?	\$1455
12'	END-OF-RUN	144"	XE-TFM-EOR-12-144-?	\$1430
12'	END-OF-RUN	180"	XE-TFM-EOR-12-180-?	\$1525
14'	END-OF-RUN	180"	XE-TFM-EOR-14-180-?	\$1620



DATA PLATE



FEATURES:

- GREY COLOR TO MATCH THE PANELS
- SNAPS INTO THE EXISTING KNOCKOUT ON THE X3 BASEPLATE

TO ORDER, SPECIFY:

- PART NUMBER
- COLOR

PART: XE-DATA-PLATE-SV

COLOR: _____ ↑

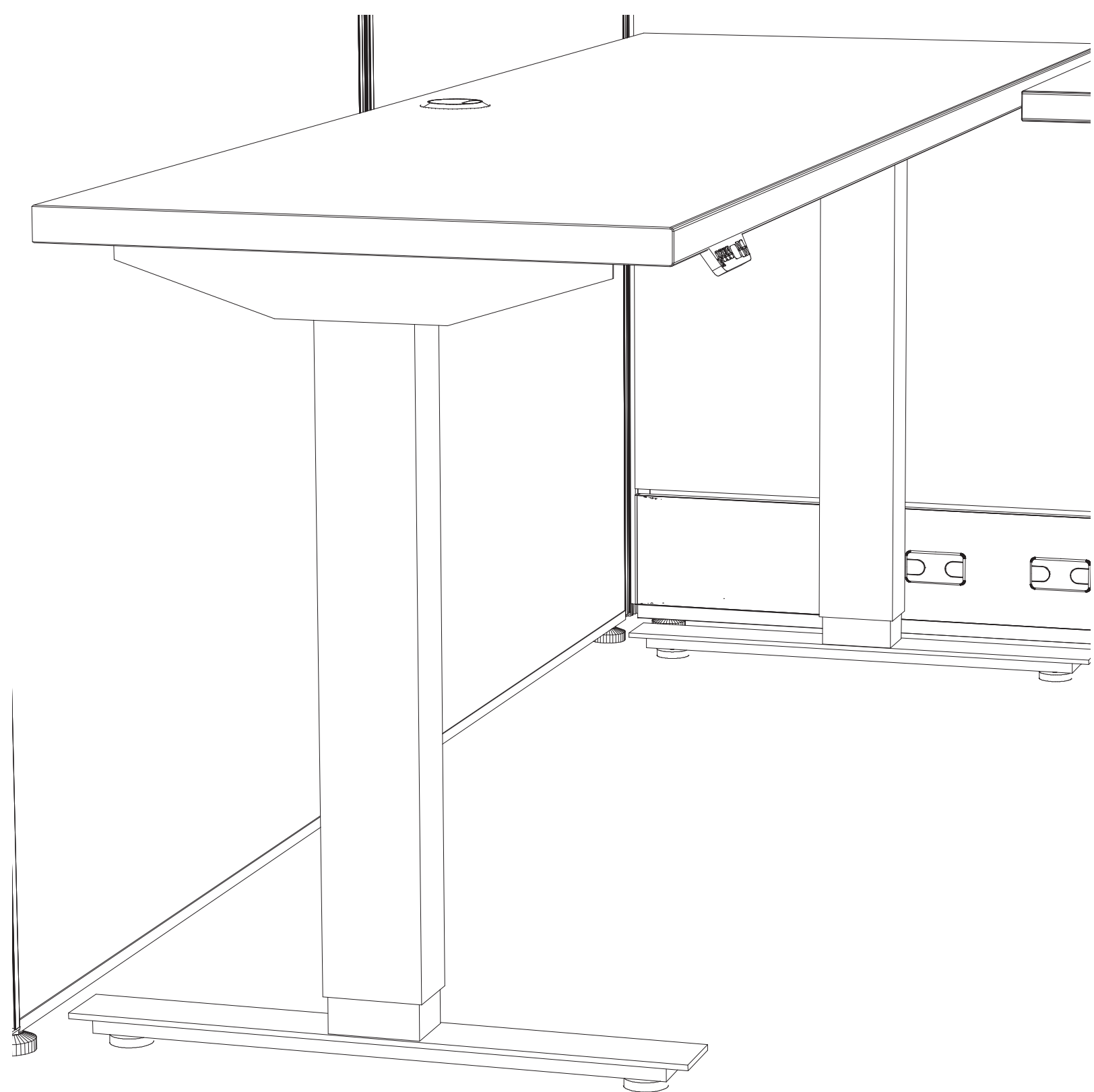
DESCRIPTION	PART NUMBER	LIST PRICE
EMPTY LEVITON DATA PLATE WITH FOUR OPEN SLOTS	XE-DATA-PLATE-?	\$25

NOTES:

- DATA PLATE ONLY AVAILABLE IN SILVER



HEIGHT ADJUSTABLE BASE



FEATURES:

- PROGRAM UP TO FOUR SET HEIGHTS
- DUAL MOTOR
- MADE IN U.S.

TO ORDER, SPECIFY:

- PART NUMBER
- COLOR

DESCRIPTION	PART NUMBER	LIST PRICE
DUAL MOTOR HEIGHT ADJUSTABLE BASE WITH PROGRAMMABLE HANDSET	X-HAB-PRGM	\$1625
SUPPORT CHANNEL USED FOR SURFACES 69"-84" WIDE	X-HAB-CHANNEL	\$155

NOTES:

- SURFACES 69"-84" REQUIRE A SUPPORT CHANNEL
- SURFACE NOT INCLUDED
- ADJUSTABLE BASE ONLY AVAILABLE IN SILVER

PART NUMBER	LIST PRICE	PAGE
X-120CC-WS-36-24	\$451	28
X-120CC-WS-48-24	\$605	28
X-6612-MPED	\$500	38
X-6612-MPED-C	\$800	38
X-CUST-WS-48-24	\$270	30
X-CUST-WS-48-30	\$355	30
X-CUST-WS-48-48	\$528	30
X-CUST-WS-72-24	\$505	30
X-CUST-WS-72-30	\$525	30
X-CUST-WS-72-48	\$792	30
X-CUST-WS-96-24	\$585	30
X-CUST-WS-96-30	\$605	30
X-CUST-WS-96-48	\$1056	30
X-FMK-2	\$35	37
X-FRMGL-24-8-C	\$285	12
X-FRMGL-24-8-F	\$365	14
X-FRMGL-24-12-C	\$290	13
X-FRMGL-24-12-F	\$370	15
X-FRMGL-30-8-C	\$290	12
X-FRMGL-30-8-F	\$375	14
X-FRMGL-30-12-C	\$295	13
X-FRMGL-30-12-F	\$390	15
X-FRMGL-36-8-C	\$300	12
X-FRMGL-36-8-F	\$385	14
X-FRMGL-36-12-C	\$300	13
X-FRMGL-36-12-F	\$425	15
X-FRMGL-42-8-C	\$300	12
X-FRMGL-42-8-F	\$395	14
X-FRMGL-42-12-C	\$305	13
X-FRMGL-42-12-F	\$455	15
X-FRMGL-48-8-C	\$305	12
X-FRMGL-48-8-F	\$415	14
X-FRMGL-48-12-C	\$310	13
X-FRMGL-48-12-F	\$490	15
X-FRMGL-60-8-C	\$370	12
X-FRMGL-60-8-F	\$495	14
X-FRMGL-60-12-C	\$375	13
X-FRMGL-60-12-F	\$595	15
X-FRMGL-72-8-C	\$440	12
X-FRMGL-72-8-F	\$600	14
X-FRMGL-72-12-C	\$455	13
X-FRMGL-72-12-F	\$725	15
X-HAB-PRGM	\$1625	50
X-HAB-CHANNEL	\$155	50
X-LEG-O-24	\$250	35
X-PD-GR	\$65	39
X-SPRT-54	\$140	36
X-WS-24-24	\$138	16
X-WS-24-30	\$193	18
X-WS-30-24	\$160	16
X-WS-30-30	\$209	18
X-WS-36-24	\$182	16
X-WS-36-30	\$226	18
X-WS-42-24	\$209	16
X-WS-42-30	\$253	18
X-WS-48-24	\$215	16

PART NUMBER	LIST PRICE	PAGE
X-WS-48-30	\$281	18
X-WS-54-24	\$253	16
X-WS-54-30	\$336	18
X-WS-60-24	\$253	16
X-WS-60-30	\$336	18
X-WS-66-24	\$352	16
X-WS-66-30	\$388	18
X-WS-72-24	\$402	16
X-WS-72-30	\$418	18
X-WS-78-24	\$468	16
X-WS-78-30	\$484	18
X-WS-84-24	\$468	16
X-WS-84-30	\$484	18
X-WS-90-24	\$468	16
X-WS-90-30	\$484	18
X-WS-96-24	\$468	16
X-WS-96-30	\$484	18
X-WS-CCL-36-24	\$275	24
X-WS-CCR-36-24	\$275	24
X-WS-ECC-36-48-24	\$347	26
X-WS-ECC-36-60-24	\$413	26
X-WS-ECC-36-72-24	\$457	26
X-WS-ECC-48-36-24	\$347	26
X-WS-ECC-48-60-24	\$429	26
X-WS-ECC-48-72-24	\$495	26
X-WS-ECC-60-36-24	\$413	26
X-WS-ECC-60-48-24	\$429	26
X-WS-ECC-72-36-24	\$457	26
X-WS-ECC-72-48-24	\$495	26
X-WS-ESC-36-48-24	\$347	27
X-WS-ESC-36-60-24	\$413	27
X-WS-ESC-36-72-24	\$457	27
X-WS-ESC-48-36-24	\$347	27
X-WS-ESC-48-60-24	\$429	27
X-WS-ESC-48-72-24	\$495	27
X-WS-ESC-60-36-24	\$413	27
X-WS-ESC-60-48-24	\$429	27
X-WS-ESC-72-36-24	\$457	27
X-WS-ESC-72-48-24	\$495	27
X-WS-GRMT	\$50	31
X-WS-SCL-36-24	\$275	25
X-WS-SCR-36-24	\$275	25
X-WSG-24-24-C	\$212	20
X-WSG-24-24-L	\$212	20
X-WSG-24-24-R	\$212	20
X-WSG-24-30-C	\$239	22
X-WSG-24-30-L	\$239	22
X-WSG-24-30-R	\$239	22
X-WSG-30-24-C	\$212	20
X-WSG-30-24-L	\$212	20
X-WSG-30-24-R	\$212	20
X-WSG-30-30-C	\$239	22
X-WSG-30-30-L	\$239	22
X-WSG-30-30-R	\$239	22
X-WSG-36-24-C	\$212	20
X-WSG-36-24-L	\$212	20

PART NUMBER	LIST PRICE	PAGE
X-WSG-36-24-R	\$212	20
X-WSG-36-30-C	\$256	22
X-WSG-36-30-L	\$256	22
X-WSG-36-30-R	\$256	22
X-WSG-42-24-C	\$239	20
X-WSG-42-24-L	\$239	20
X-WSG-42-24-R	\$239	20
X-WSG-42-30-C	\$283	22
X-WSG-42-30-L	\$283	22
X-WSG-42-30-R	\$283	22
X-WSG-46-22-C	\$245	29
X-WSG-46-28-C	\$311	29
X-WSG-48-24-C	\$245	20
X-WSG-48-24-L	\$245	20
X-WSG-48-24-R	\$245	20
X-WSG-48-30-C	\$311	22
X-WSG-48-30-L	\$311	22
X-WSG-48-30-R	\$311	22
X-WSG-54-24-C	\$283	20
X-WSG-54-24-L	\$283	20
X-WSG-54-24-R	\$283	20
X-WSG-54-30-C	\$366	22
X-WSG-54-30-L	\$366	22
X-WSG-54-30-R	\$366	22
X-WSG-58-22-C	\$283	29
X-WSG-58-28-C	\$366	29
X-WSG-60-24-C	\$283	20
X-WSG-60-24-L	\$283	20
X-WSG-60-24-R	\$283	20
X-WSG-60-30-C	\$366	22
X-WSG-60-30-L	\$366	22
X-WSG-60-30-R	\$366	22
X-WSG-66-24-C	\$382	20
X-WSG-66-24-L	\$382	20
X-WSG-66-24-R	\$382	20
X-WSG-66-30-C	\$448	22
X-WSG-66-30-L	\$448	22
X-WSG-66-30-R	\$448	22
X-WSG-70-22-C	\$432	29
X-WSG-70-28-C	\$448	29
X-WSG-72-24-C	\$432	20
X-WSG-72-24-L	\$432	20
X-WSG-72-24-R	\$432	20
X-WSG-72-30-C	\$448	22
X-WSG-72-30-L	\$448	22
X-WSG-72-30-R	\$448	22
X-WSG-78-24-C	\$498	20
X-WSG-78-24-L	\$498	20
X-WSG-78-24-R	\$498	20
X-WSG-78-30-C	\$514	22
X-WSG-78-30-L	\$514	22
X-WSG-78-30-R	\$514	22
X-WSG-84-24-C	\$498	20
X-WSG-84-24-L	\$498	20
X-WSG-84-24-R	\$498	20
X-WSG-84-30-C	\$514	22

PART NUMBER	LIST PRICE	PAGE
X-WSG-84-30-L	\$514	22
X-WSG-84-30-R	\$514	22
X-WSG-90-24-C	\$498	20
X-WSG-90-24-L	\$498	20
X-WSG-90-24-R	\$498	20
X-WSG-90-30-C	\$514	22
X-WSG-90-30-L	\$514	22
X-WSG-90-30-R	\$514	22
X-WSG-96-24-C	\$498	20
X-WSG-96-24-L	\$498	20
X-WSG-96-24-R	\$498	20
X-WSG-96-30-C	\$514	22
X-WSG-96-30-L	\$514	22
X-WSG-96-30-R	\$514	22
X-WSGR-24-24-C	\$212	21
X-WSGR-24-24-L	\$212	21
X-WSGR-24-24-R	\$212	21
X-WSGR-24-30-C	\$239	23
X-WSGR-24-30-L	\$239	23
X-WSGR-24-30-R	\$239	23
X-WSGR-30-24-C	\$212	21
X-WSGR-30-24-L	\$212	21
X-WSGR-30-24-R	\$212	21
X-WSGR-30-30-C	\$239	23
X-WSGR-30-30-L	\$239	23
X-WSGR-30-30-R	\$239	23
X-WSGR-36-24-C	\$212	21
X-WSGR-36-24-L	\$212	21
X-WSGR-36-24-R	\$212	21
X-WSGR-36-30-C	\$256	23
X-WSGR-36-30-L	\$256	23
X-WSGR-36-30-R	\$256	23
X-WSGR-42-24-C	\$239	21
X-WSGR-42-24-L	\$239	21
X-WSGR-42-24-R	\$239	21
X-WSGR-42-30-C	\$283	23
X-WSGR-42-30-L	\$283	23
X-WSGR-42-30-R	\$283	23
X-WSGR-48-24-C	\$245	21
X-WSGR-48-24-L	\$245	21
X-WSGR-48-24-R	\$245	21
X-WSGR-48-30-C	\$311	23
X-WSGR-48-30-L	\$311	23
X-WSGR-48-30-R	\$311	23
X-WSR-24-24	\$138	17
X-WSR-24-30	\$193	19
X-WSR-30-24	\$160	17
X-WSR-30-30	\$209	19
X-WSR-36-24	\$182	17
X-WSR-36-30	\$226	19
X-WSR-42-24	\$209	17
X-WSR-42-30	\$253	19
X-WSR-48-24	\$215	17
X-WSR-48-30	\$281	19
X1-2WAY-47	\$70	9
X1-3WAY-47	\$80	9

PART NUMBER	LIST PRICE	PAGE
X1-4WAY-47	\$90	9
X1-CANT-L	\$20	32
X1-CANT-R	\$20	32
X1-CANT-SHD-L	\$20	32
X1-CANT-R-SHD	\$20	32
X1-CB-L	\$5	34
X1-CB-R	\$5	34
X1-ET-47	\$5	10
X1-PNL-24-47	\$235	4
X1-PNL-30-47	\$275	4
X1-PNL-30-47	\$315	4
X1-POST-ET-47	\$5	11
X3-120-2WAY-47	\$90	8
X3-120-3WAY-47	\$95	8
X3-120-EOR-47	\$85	8
X3-2WAY-47	\$135	7
X3-3WAY-47	\$140	7
X3-4WAY-47	\$145	7
X3-CANT-L	\$25	33
X3-CANT-R	\$25	33
X3-CANT-SHD-L	\$35	33
X3-CANT-SHD-R	\$35	33
X3-CB-L	\$5	34
X3-CB-R	\$5	34
X3-ET-47	\$40	10
X3-PNL-24-47	\$465	5
X3-PNL-30-47	\$550	5
X3-PNL-36-47	\$635	5
X3-SLF-L-36	\$155	39
X3-TC-24	\$30	6
X3-TC-30	\$30	6
X3-TC-36	\$30	6
X3-TC-42	\$30	6
X3-TC-48	\$30	6
X3-TC-54	\$60	6
X3-TC-60	\$60	6
X3-TC-66	\$60	6
X3-TC-72	\$40	6
X3-TC-78	\$60	6
X3-TC-84	\$60	6
X3-TC-90	\$60	6
X3-TC-96	\$60	6
X31-2WAY-47	\$95	9
X31-3WAY-47	\$95	9
X31-3WAY-ET-47	\$95	9
X31-4WAY-47	\$95	9
XE-BFM-60	\$345	45
XE-BFM-96	\$460	45
XE-BLK-DBL-1	\$145	40
XE-BLK-DBL-2	\$200	40
XE-DATA-PLATE	\$25	49
XE-DPX-1	\$50	41
XE-DPX-2	\$50	41
XE-DPX-3	\$50	41
XE-DPX-IG	\$50	41
XE-JMP-FM-12	\$175	44

PART NUMBER	LIST PRICE	PAGE
XE-JMP-FM-18	\$185	44
XE-JMP-FM-24	\$200	44
XE-JMP-FM-30	\$215	44
XE-JMP-FM-36	\$225	44
XE-JMP-FM-42	\$240	44
XE-JMP-FM-48	\$250	44
XE-JMP-FM-54	\$280	44
XE-JMP-FM-60	\$280	44
XE-JMP-FM-66	\$310	44
XE-JMP-FM-72	\$325	44
XE-JMP-FM-78	\$340	44
XE-JMP-FM-84	\$355	44
XE-JMP-FM-90	\$370	44
XE-JMP-FM-96	\$380	44
XE-JMP-MM-16	\$180	42
XE-JMP-MM-22	\$195	42
XE-JMP-MM-28	\$210	42
XE-JMP-MM-34	\$220	42
XE-JMP-MM-40	\$235	42
XE-JMP-MM-46	\$245	42
XE-JMP-MM-52	\$275	42
XE-JMP-MM-58	\$275	42
XE-JMP-MM-64	\$305	42
XE-JMP-MM-70	\$320	42
XE-JMP-MM-76	\$335	42
XE-JMP-MM-82	\$350	42
XE-JMP-MM-88	\$365	42
XE-JMP-MM-94	\$375	42
XE-JMP-MM-100	\$395	42
XE-JMP-MM-106	\$410	42
XE-JMP-MM-112	\$425	42
XE-JMP-MM-118	\$435	44
XE-JMP-MM-124	\$455	44
XE-JMP-MM-130	\$470	44
XE-JMP-MM-136	\$480	44
XE-JMP-MM-142	\$495	44
XE-JMP-MM-148	\$510	44
XE-JMP-MM-154	\$525	44
XE-JMP-MM-160	\$535	44
XE-MM-CNTR	\$65	43
XE-TFM-2-47-10-144	\$1555	46
XE-TFM-2-47-10-180	\$1650	46
XE-TFM-2-47-12-144	\$1625	46
XE-TFM-2-47-12-180	\$1720	46
XE-TFM-2-47-14-180	\$1815	46
XE-TFM-3-47-10-144	\$1555	47
XE-TFM-3-47-10-180	\$1650	47
XE-TFM-3-47-12-144	\$1625	47
XE-TFM-3-47-12-180	\$1720	47
XE-TFM-3-47-14-180	\$1815	47
XE-TFM-EOR-10-144	\$1360	48
XE-TFM-EOR-10-180	\$1455	48
XE-TFM-EOR-12-144	\$1430	48
XE-TFM-EOR-12-180	\$1525	48
XE-TFM-EOR-14-180	\$1620	48



TERMS & CONDITIONS

COMMON CARRIER SHIPMENT: ALL PRODUCTS ARE SOLD FROM OUR CHANDLER, AZ LOCATION. WE WILL ARRANGE FREIGHT IF THE BUYER DOES NOT HAVE A DISCOUNT SCHEDULE WITH A PREFERRED FREIGHT COMPANY. WE WILL PREPAY THE FREIGHT AND BILL THE BUYER ACCORDING TO OUR STANDARD FREIGHT POLICY (**SEE RSI FREIGHT POLICY ON PAGE-2**).

EXCLUSIVE SHIPPING PROCEDURES: THE ARRIVAL TIME FOR ANY SHIPMENT SENT VIA EXCLUSIVE CARRIER WILL BE GUARANTEED TO WITHIN A ONE-HOUR WINDOW OF THE REQUESTED TIME. NEITHER RSI NOR THE CARRIER WILL BE HELD RESPONSIBLE FOR TRUCKS THAT ARE DELAYED DUE TO ACTS OF PUBLIC AUTHORITY, MECHANICAL DIFFICULTIES, ILLNESS OR INCAPACITATION, WEATHER RELATED DELAYS, TRAFFIC ACCIDENT OR ROAD CONDITIONS CAUSING EXTRAORDINARY TRAFFIC DELAYS. EXCLUSIVE TRUCKS MUST BE UNLOADED WITHIN TWO HOURS OF ARRIVAL OR FREIGHT WAITING CHARGES MAY BE ASSESSED.

INSPECTION: (A) BUYER IS RESPONSIBLE TO HAVE QUALIFIED PERSONNEL AVAILABLE TO RECEIVE AND INSPECT THE GOODS. (B) ANY DAMAGE IN TRANSIT MUST BE NOTED ON THE BILL OF LADING TO ENABLE FILING AND COLLECTION OF CLAIM FROM THE CARRIER. FAILURE TO NOTE SHIPPING DAMAGE WILL RESULT IN THE DENIAL OF COMPENSATION BY THE CARRIER AND WILL BE THE RESPONSIBILITY OF THE BUYER TO PAY FOR REPLACEMENT GOODS. IT IS THE BUYER'S RESPONSIBILITY TO FILE ANY AND ALL DAMAGE/SHORTAGE CLAIMS WITH THE FREIGHT CARRIER; HOWEVER RSI WILL BE HAPPY TO ASSIST THE BUYER IN THIS PROCESS. (C) SHORTAGES MUST BE REPORTED TO RSI WITHIN 48 HOURS OF RECEIPT OF SHIPMENT OR THE BUYER WILL BE RESPONSIBLE FOR PAYMENT FOR REPLACEMENT GOODS.

ORDER CHANGES AND CANCELLATIONS: ANY CHANGES/CANCELLATIONS PRIOR TO FINAL PRODUCTION OF ORDER MUST BE SUBMITTED FOR APPROVAL. IF APPROVED, BUYER WILL BE HELD RESPONSIBLE FOR ALL LABOR AND MATERIAL COSTS INCURRED PRIOR TO THE CHANGE AND/OR CANCELLATION. CHANGES OR CANCELLATIONS AFTER FINAL PRODUCTION OF THE ORDER BUT PRIOR TO SHIPMENT FALL UNDER THE "RETURNS" SECTION BELOW. THERE IS NO FINANCIAL PENALTY FOR ADDITIONS TO ORDERS; HOWEVER, ANY CHANGE MAY CAUSE THE ORDER TO BE RESCHEDULED AND MAY EFFECT LEAD TIME.

TERMS: NEW BUYERS WILL BE REQUIRED TO ACCOMPANY ORDERS WITH A 50% DEPOSIT. IN ADDITION, ALL ORDERS IN EXCESS OF \$10,000 WILL REQUIRE A 50% DEPOSIT AND ORDERS FROM EXISTING BUYERS WHICH CAUSE THAT BUYER TO EXCEED THEIR CREDIT LIMIT WILL REQUIRE A DEPOSIT EQUAL TO THE AMOUNT BY WHICH THE NEW ORDER CAUSES THE BUYER'S BALANCE TO EXCEED THEIR CREDIT LIMIT. NO MATERIAL WILL BE ORDERED OR WORK PERFORMED ON AN ORDER UNTIL A WRITTEN PURCHASE ORDER AND THE REQUIRED DEPOSIT HAVE BEEN RECEIVED. THE INVOICE AMOUNT LESS ANY DEPOSIT IS DUE 30 DAYS FROM DATE OF INVOICE UNLESS OTHERWISE SPECIFIED. SALES WILL BE INVOICED UPON COMPLETION OF PRODUCTION. DELIVERY DELAYS REQUESTED BY THE BUYER WILL NOT ALTER THE 30-DAY PAYMENT TERMS.

PRICING: PRICES QUOTED WILL BE VALID FOR 30 DAYS FROM THE DATE OF QUOTATION.

FINANCING: FINANCE CHARGES WILL BE ASSESSED ON ALL ACCOUNT BALANCES OVER THIRTY (30) DAYS PAST THE DATE OF INVOICE AT A RATE OF 1-1/2% PER MONTH (18% PER ANNUM). RSI RESERVES THE RIGHT TO PROCEED WITH LEGAL ACTION OR TURN THE ACCOUNT OVER TO AN AGENCY FOR COLLECTION ON ANY ACCOUNT BALANCE PAST 60 DAYS FROM THE DATE OF INVOICE. WE WILL GIVE THE BUYER NOTICE PRIOR TO THIS ACTION SO THE BUYER MAY AVOID PAYING ANY LEGAL, COLLECTION OR HANDLING COSTS INCURRED IN RECOVERING THE MERCHANDISE OR COLLECTION OF THE DEBT (BUYER AGREES TO PAY ALL THESE COLLECTION COSTS INCLUDING REASONABLE ATTORNEY FEES).

RETURNS: ALL PRODUCTS ARE CUSTOM MANUFACTURED FOR THE BUYER. THE COMPANY MAINTAINS NO FINISHED GOODS INVENTORY. RETURN SHIPMENTS ARE NOT ACCEPTED UNLESS SPECIFICALLY AUTHORIZED BY THE COMPANY ON A RETURNED GOODS AUTHORIZATION FORM. IF THE COMPANY APPROVES A PRODUCT RETURN AND BUYER RETURNS THE GOODS AT ITS EXPENSE, BUYER WILL RECEIVE A CREDIT RANGING FROM 10% - 40% OF THE ORIGINAL SALE AMOUNT DEPENDENT UPON THE ITEMS RETURNED. MERCHANDISE MUST BE RECEIVED IN NEW CONDITION. NO CREDIT WILL BE ISSUED FOR DAMAGED PRODUCTS. ALL RETURNS MUST BE MADE WITHIN 30 DAYS AFTER RETURN AUTHORIZATION IS ISSUED.

EZcube WARRANTY: EZcube IS WARRANTED FOR MATERIAL AND WORKMANSHIP FOR LIFETIME TO ORIGINAL PURCHASER FOR ANY DEFECTS IN WORKMANSHIP AND/OR MATERIALS. UL ELECTRICAL GUIDELINES FOR APPLICATION OF POWERED PANELS MUST BE STRICTLY ADHERED TO. WE RESERVE THE RIGHT TO INSPECT THE INSTALLATION AND PERFORM ANY OR ALL LABOR ON WARRANTY WORK. PRODUCT MISUSE, ABUSE, OR FAILURE TO ADHERE TO THE GUIDELINES OUTLINED WILL VOID ALL WARRANTIES IMPLIED OR EXPRESSED.

OTHER PRODUCT WARRANTY: ALL OTHER MANUFACTURERS' WILL BE WARRANTED BASED ON THE MANUFACTURER'S WARRANTIES.

FURNITURE PERFORMANCE: PROPER USE AND LOADING OF THE FURNITURE IS REQUIRED FOR MAXIMUM PERFORMANCE AND LIFESPAN. STANDING OR SITTING ON WORKSURFACES WILL GENERALLY EXCEED LOAD CAPACITY, AND DAMAGE CAUSED AS A RESULT OF SITTING OR STANDING ON THE FURNITURE WILL NOT BE COVERED UNDER WARRANTY.

ELECTRICAL:

EZcube ELECTRICAL SYSTEM IS UL RECOGNIZED AS AN OFFICE FURNISHING ACCESSORY (UL 1286), AND IS UL LISTED AS A MANUFACTURED WIRING SYSTEM (UL 183) IN FULL COMPLIANCE WITH ELECTRICAL SPECIFICATIONS FOUND IN THE NATIONAL ELECTRICAL CODE (NEC). IT ALSO COMPLIES WITH MUNICIPAL STANDARDS SUCH AS NEW YORK, LOS ANGELES & SAN FRANCISCO.

THE EZcube ELECTRICAL SYSTEM IS RATED FOR 20 AMPS ALLOWING THE USE OF 4 CIRCUITS WITH 4 LINE CONDUCTORS, 2 NEUTRALS AND 2 GROUNDS. UNDER NEC REQUIREMENTS, UP TO 13 DUPLEX RECEPTACLES MAY BE USED PER CIRCUIT, WITH A TOTAL OF 52 AVAILABLE RECEPTACLES IF ALL CIRCUITS ARE USED, PER SINGLE POWER ENTRY. THE LINE CONDUCTORS ARE 12 AWG, AND SHARE A 12 AWG GROUND AND A 10AWG NEUTRAL. THE FOURTH CIRCUIT IS ISOLATED AND DEDICATED, AND IS SERVICED BY ITS OWN LINE CONDUCTOR, NEUTRAL AND ISOLATED GROUND.

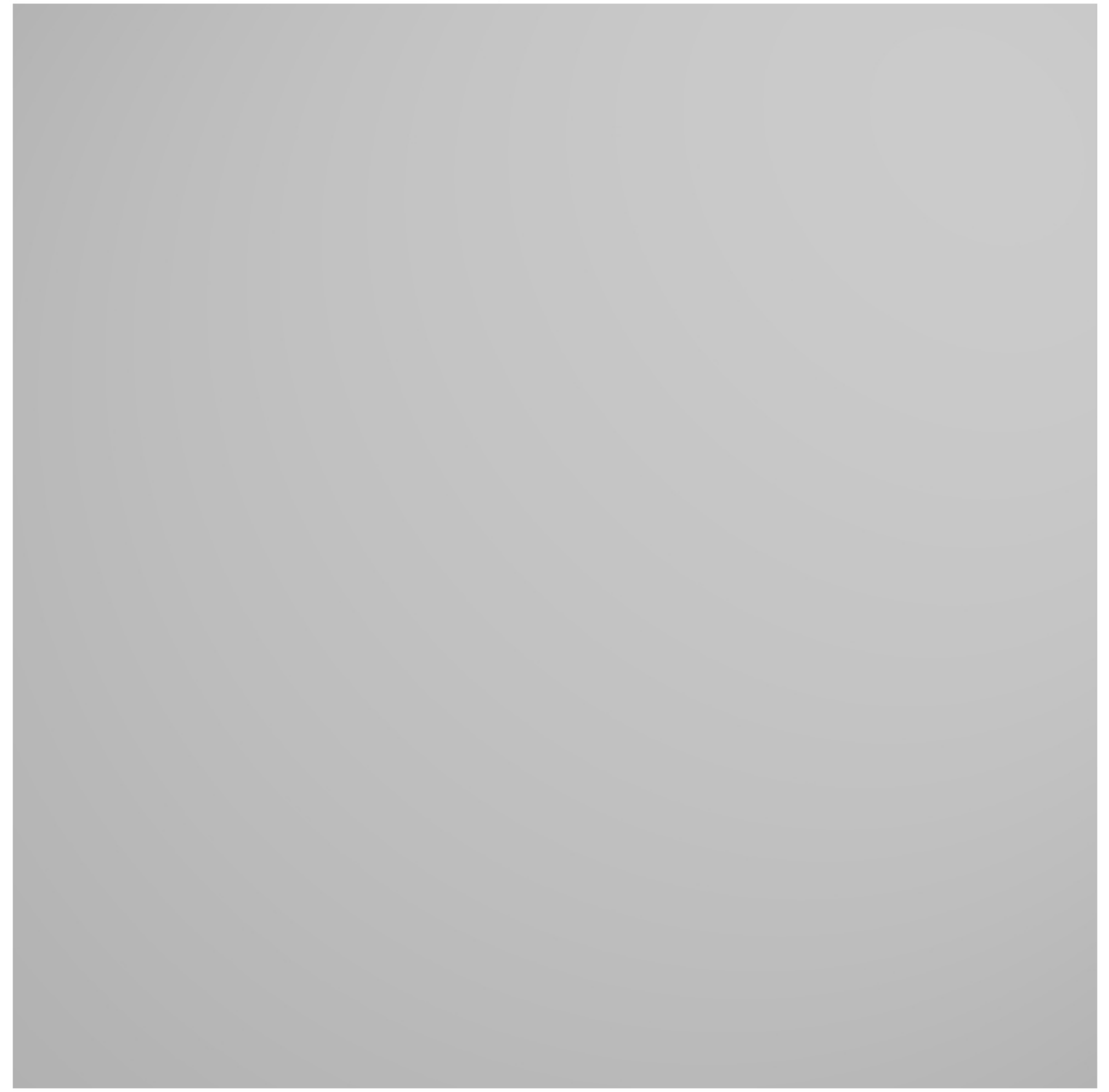
APPLIANCES, SUCH AS LARGE COPIERS, COFFEE MACHINES, SPACE HEATERS, MICROWAVES, AND SOME PRINTERS REQUIRE MOST OF THE CURRENT AVAILABLE ON A 20 AMP CIRCUIT. THESE SUCH DEVICES MUST BE SUPPLIED WITH THEIR OWN RECEPTACLE DIRECTLY FROM THE BUILDING. THIS LEAVES THE CAPACITY OF THE FURNITURE CIRCUITS AVAILABLE FOR MORE DYNAMIC REQUIREMENTS OF THE OFFICE EQUIPMENT AND ELIMINATES THE POTENTIAL FOR CIRCUIT OVERLOAD AND POWER SHUT DOWN. SPECIFICATIONS FOR HARDWIRING JUNCTIONS WILL BE PROVIDED TO BUYER OR ELECTRICIAN UPON REQUEST. ANY ELECTRICAL CONNECTIONS NOT WITHIN THE SPECIFICATIONS CAN AFFECT THE PERFORMANCE OF THE ELECTRICAL SYSTEMS AND POSSIBLY VOID THE WARRANTY.

Fabric



Nickel

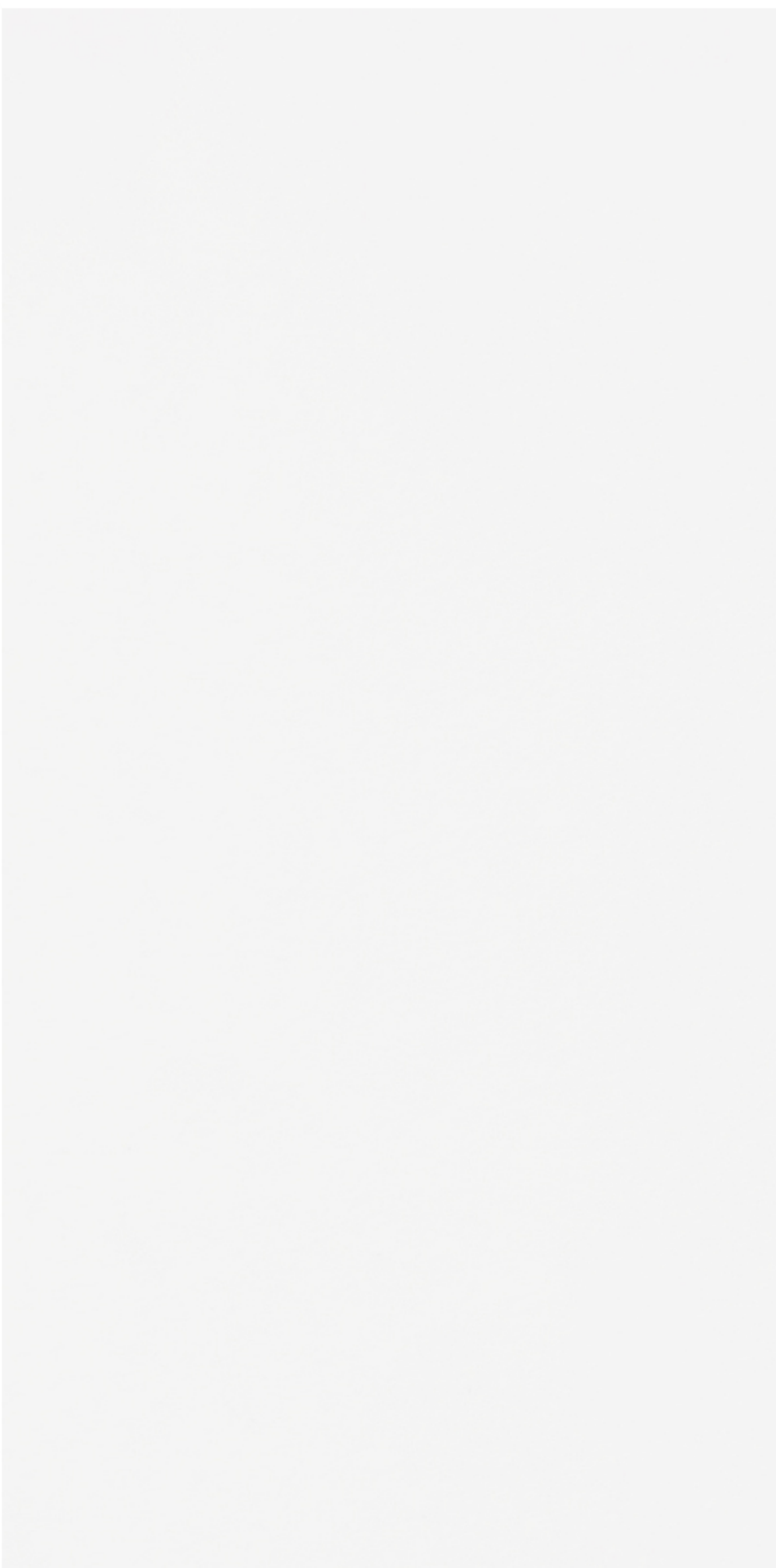
Paint



Silver

Laminate

Matching 3mm T-mold and Edgeband



White



Modern Walnut



Grey Cypress