



ECHO²

PRICE BOOK

	PAGE
FREIGHT POLICY	2
FINISH CODES	3-5
PANEL	6-35
DOORS	36-37
FRAMED ADD-ONS	38-58
FRAMELESS GLASS	59-67
MOUNTING KITS	68-70
FINISH POSTS	71-72
MARKERBOARDS	73
PANEL TRIM	74
POWER / DATA	75-79
WORKSURFACES	80-103
LAMINATE SUPPORTS	104-107
SUPPORT LEGS	108-111
SUPPORT BRACKETS	112-115
WORKSURFACE ACCESSORIES	116-117
KEYS / LOCK CORES	118
HEIGHT ADJUSTABLE	119
UPPER STORAGE	120-124
WORKSURFACE DIVIDERS	125-126
TACKBOARDS	127-130
LOWER STORAGE	131-135
INDEX	136-143
TERMS & CONDITIONS	144

FOR HELP WITH DESIGN CONTACT:
DESIGN@RESY.NET

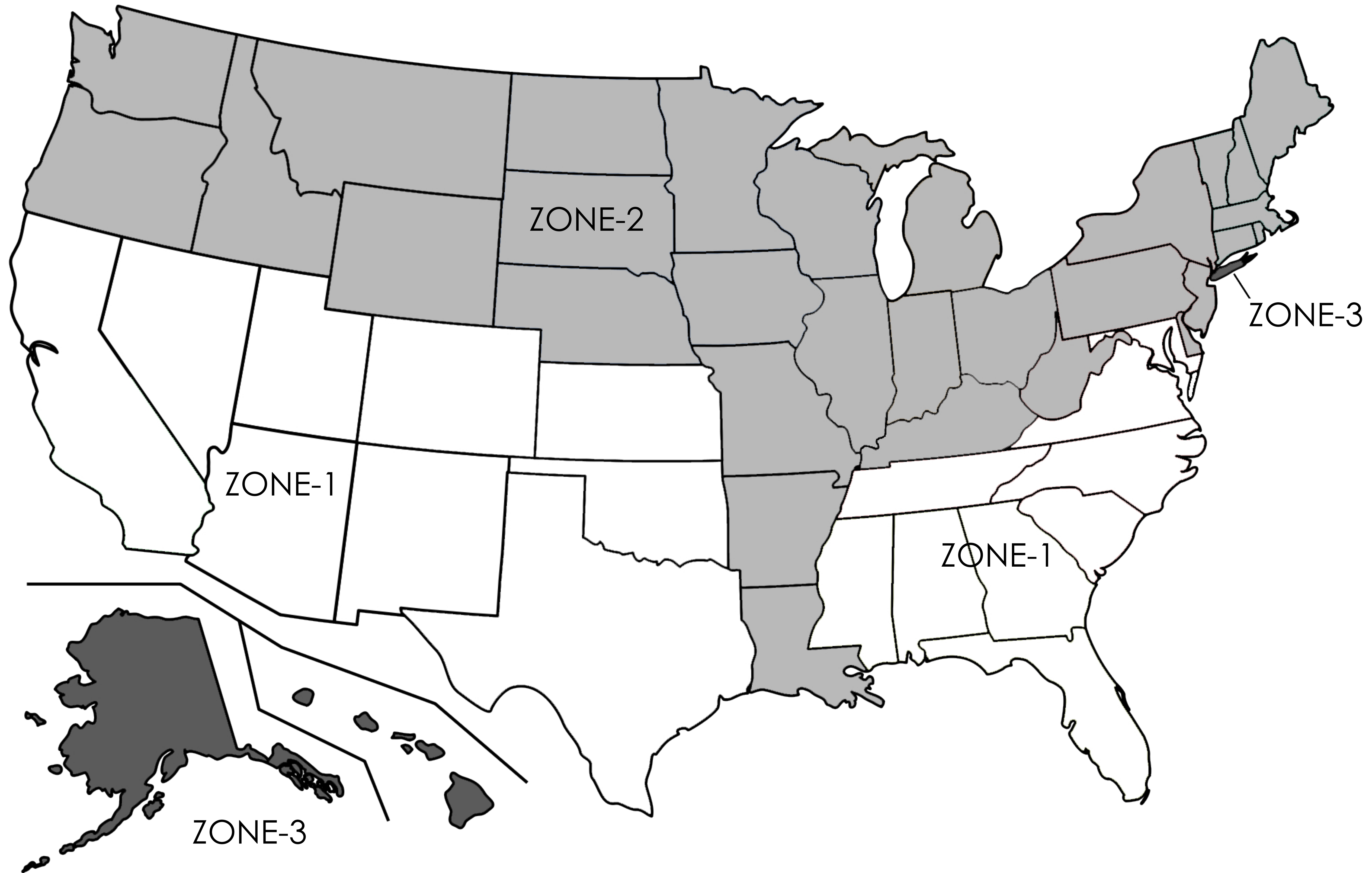
FOR HELP WITH ORDER ENTRY CONTACT:
CUSTOMERSERVICE@RESY.NET

RSI
235 S. 56TH ST.
CHANDLER, AZ 85226
800-280-5000

RSISYSTEMSFURNITURE.COM



FREIGHT POLICY



ZONE-1

TOTAL LIST PRICE	FREIGHT COST
\$0 - \$10,000	\$200
\$10,001 - \$25,000	10% OF ORDER (NET OF DISCOUNT)
\$25,001 - \$50,000	5% OF ORDER (NET OF DISCOUNT)
\$50,001 +	FREE FREIGHT

ZONE-2

TOTAL LIST PRICE	FREIGHT COST
\$0 - \$10,000	\$200
\$10,001 - \$25,000	15% OF ORDER (NET OF DISCOUNT)
\$25,001 - \$50,000	10% OF ORDER (NET OF DISCOUNT)
\$50,001 - \$100,000	5% OF ORDER (NET OF DISCOUNT)
\$100,001 +	FREE FREIGHT

ZONE-3

REQUEST QUOTE	CANADA, HAWAII, ALASKA, NEW YORK CITY, NY
---------------	---



GRADE-A FINISHES

GRADE-A PAINT

CODE	COLOR
CH	CHARCOAL
GR	GRAPHITE
MS	METALLIC SILVER
WH	WHITE
SD	SAND

GRADE-A LAMINATE

EDGE	COLOR
CWH	WHITE
MW	MODERN WALNUT
GC	GREY CYPRESS
ST	STUDIO TEAK
CB	COCOBALA
FM	FUSION MAPLE
WC	WILD CHERRY
KB	KHAKI BROWN
DG	DOVE GREY

*GRADE-A LAMINATES COME WITH 3mm
MATCHING EDGE

GRADE-A FABRIC

SERIES	COLOR
ALLIANCE	STARDUST
ALLIANCE	STERLING
ALLIANCE	MICA

GRADE-A FABRIC

SERIES	COLOR
CENTURY	ASPEN
CENTURY	ATLANTIC
CENTURY	FOSSIL

GRADE-A FABRIC

SERIES	COLOR
TRACTION	CHROME
TRACTION	GREYSTONE
TRACTION	EARTH

GRADE-A FABRIC

SERIES	COLOR
PRIMETIME	CHINO
PRIMETIME	CINDER
PRIMETIME	JET BLACK
PRIMETIME	SPRING
PRIMETIME	CHAMBRAY
PRIMETIME	PAPRIKA
PRIMETIME	ALOE
PRIMETIME	MARINA
PRIMETIME	SCARLET



GRADE-B FABRIC

GRADE-B FABRIC

SERIES	COLOR
PRIMETIME	TANGERINE
PRIMETIME	KEY LIME
PRIMETIME	TROPIC
PRIMETIME	AZURE
PRIMETIME	STERLING
PRIMETIME	ELEPHANT
PRIMETIME	SHALE
PRIMETIME	PARCHMENT
PRIMETIME	MINK
PRIMETIME	BROWNIE
PRIMETIME	FUSCHIA
PRIMETIME	SHIRAZ
PRIMETIME	VIOLET
PRIMETIME	PEACOCK
PRIMETIME	SPRUCE
PRIMETIME	ADMIRAL

GRADE-B FABRIC

SERIES	COLOR
COLLABORATE	SLATE
COLLABORATE	OYSTER
COLLABORATE	LATTE
COLLABORATE	MOON ROCK
COLLABORATE	LINEN
COLLABORATE	FAWN

GRADE-B FABRIC

SERIES	COLOR
COALITION	HEIRLOOM
COALITION	ICED
COALITION	PEWTER
COALITION	SHIMMER
COALITION	SOFT BRONZE
COALITION	TINSEL

GRADE-B FABRIC

SERIES	COLOR
CHAIN LINK	CANVAS
CHAIN LINK	CHARCOAL
CHAIN LINK	COCOA
CHAIN LINK	COLONIAL
CHAIN LINK	NATURAL
CHAIN LINK	STEEL

GRADE-B FABRIC

SERIES	COLOR
UNISON	ECRU
UNISON	FLINT
UNISON	HALO
UNISON	HAZE
UNISON	PUTTY
UNISON	SUEDE

GRADE-B FABRIC

SERIES	COLOR
COLLECTIVE	ALUMINUM
COLLECTIVE	JUTE
COLLECTIVE	DRIFTWOOD
COLLECTIVE	PEARL
COLLECTIVE	SAND DOLLAR
COLLECTIVE	STORM

GRADE-B FABRIC

SERIES	COLOR
CENTURY	AMBER
CENTURY	DEW
CENTURY	DRIFTWOOD
CENTURY	LIMESTONE
CENTURY	ORO

GRADE-B FABRIC

SERIES	COLOR
ALLIANCE	ALLOY
ALLIANCE	CHAMPAGNE
ALLIANCE	TAUPE

GRADE-B FABRIC

SERIES	COLOR
TRACTION	JUTE
TRACTION	PLATINUM
TRACTION	WHEAT

NOTES:

- GRADE-B FABRIC AVAILABLE AT A 10% UPCHARGE ON FABRIC ITEMS



GRADE-C FABRIC

GRADE-C FABRIC

SERIES	COLOR
AXIS	CHAMBRAY
AXIS	BLUESTONE
AXIS	DUNE
AXIS	FOSSIL
AXIS	SEPIA
AXIS	SILVER

GRADE-C FABRIC

SERIES	COLOR
CUSP	CONCRETE
CUSP	FAWN
CUSP	MERCURY
CUSP	OASIS
CUSP	PUTTY
CUSP	QUARRY

GRADE-C FABRIC

SERIES	COLOR
HINGE	EARL GREY
HINGE	AZURE
HINGE	ECRU
HINGE	PEARL
HINGE	SHALE
HINGE	MINK

GRADE-C FABRIC

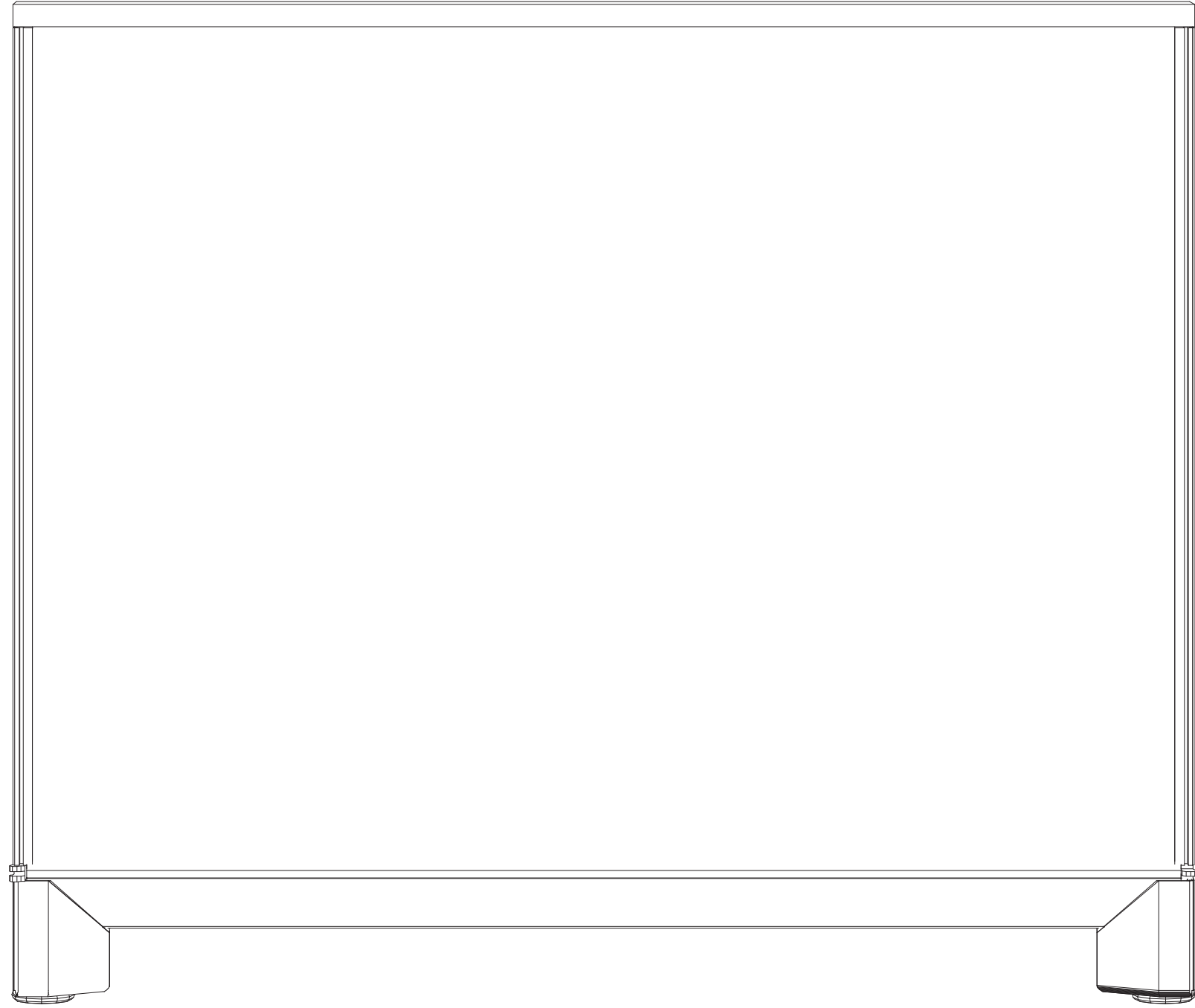
SERIES	COLOR
TIER	CHAMPAGNE
TIER	CHINO
TIER	STONE
TIER	RAIN
TIER	STERLING
TIER	ECRU

NOTES:

- GRADE-C FABRIC AVAILABLE AT A 20% UPCHARGE ON FABRIC ITEMS



30" NON-POWERED PANEL / OPEN BASEPLATE



FEATURES:

- CONNECTING HINGES INCLUDED

TO ORDER, SPECIFY:

- PART NUMBER / SIZE
- PAINT COLOR
- FABRIC

PART: ECSQ-EFN-4230



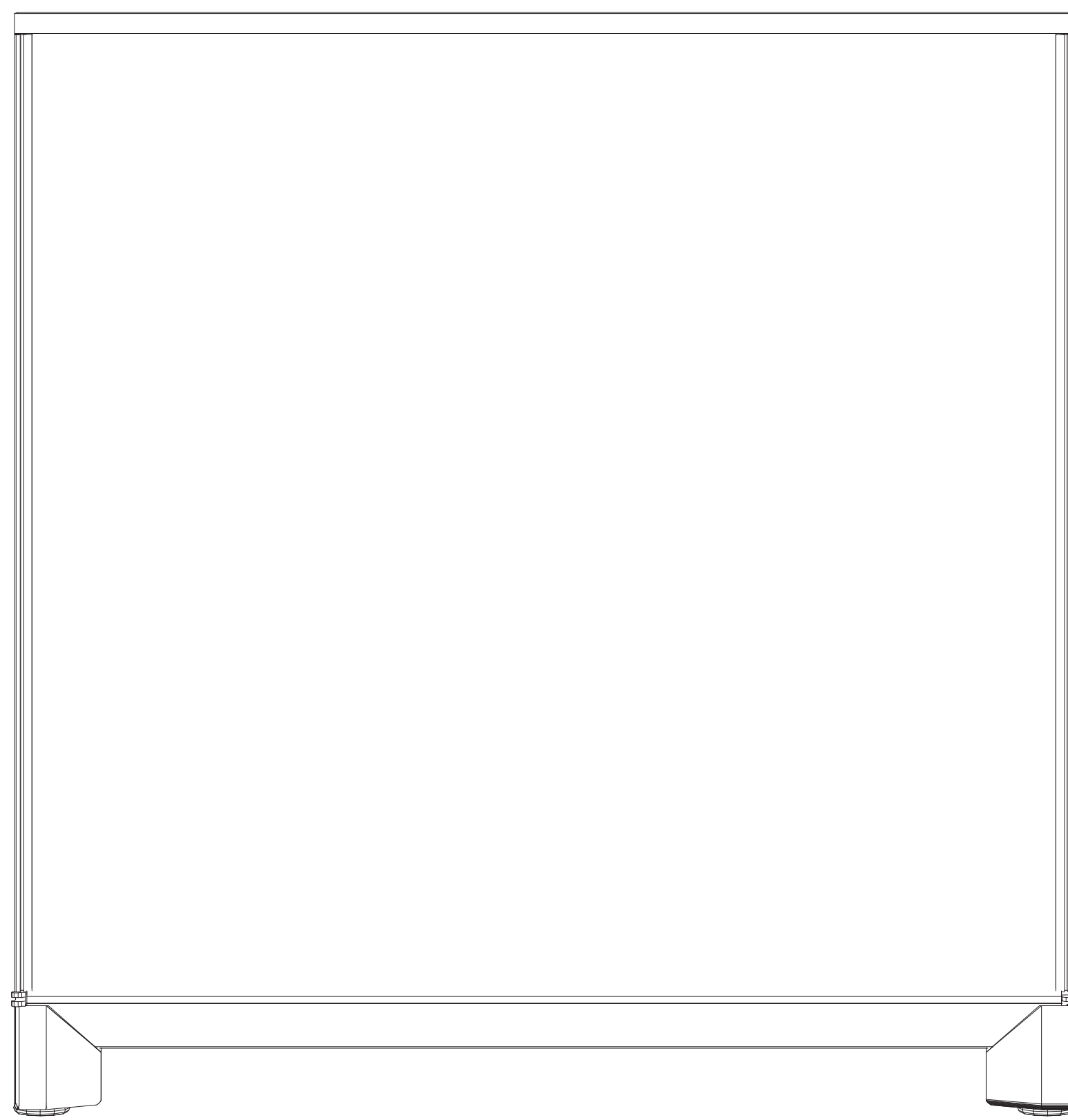
HEIGHT	WIDTH	DEPTH	PART NUMBER	LIST PRICE
30"	12"	2"	ECSQ-EFN-130	\$414
30"	18"	2"	ECSQ-EFN-1830	\$414
30"	24"	2"	ECSQ-EFN-230	\$414
30"	30"	2"	ECSQ-EFN-3030	\$497
30"	36"	2"	ECSQ-EFN-330	\$635
30"	42"	2"	ECSQ-EFN-4230	\$662
30"	48"	2"	ECSQ-EFN-430	\$635
30"	60"	2"	ECSQ-EFN-530	\$635

NOTES:

- PANELS DO NOT CARRY DATA



37" NON-POWERED PANEL / OPEN BASEPLATE



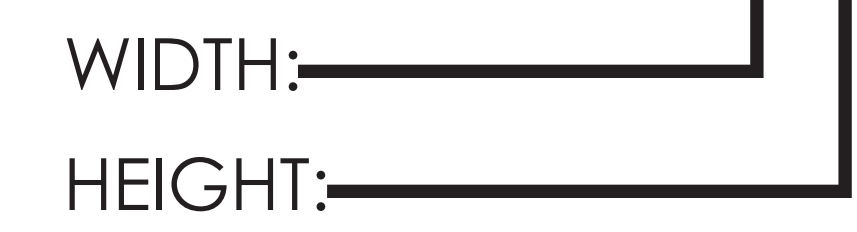
FEATURES:

- CONNECTING HINGES INCLUDED

TO ORDER, SPECIFY:

- PART NUMBER / SIZE
- PAINT COLOR
- FABRIC

PART: ECSQ-EFN-4237



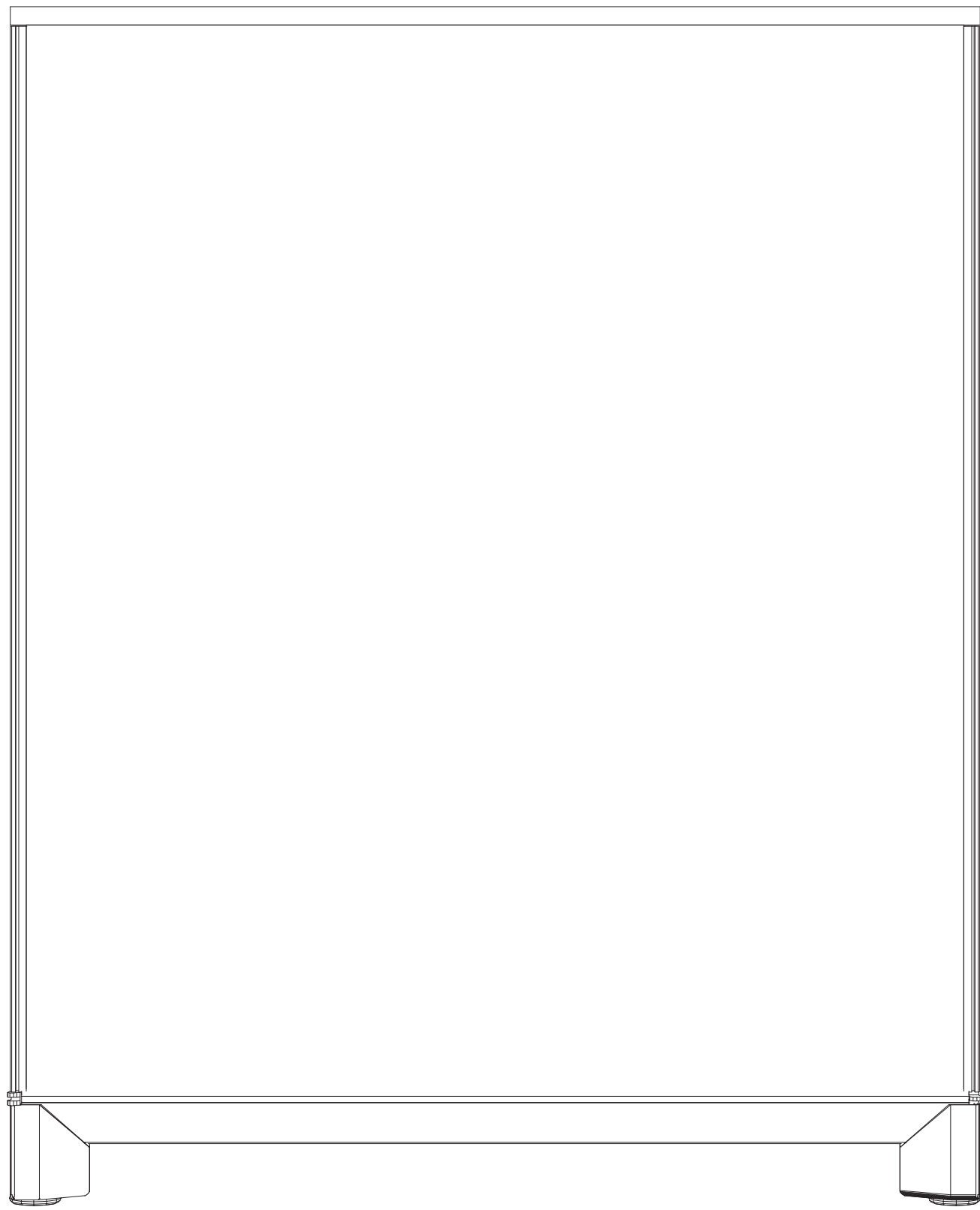
HEIGHT	WIDTH	DEPTH	PART NUMBER	LIST PRICE
37"	12"	2"	ECSQ-EFN-137	\$414
37"	18"	2"	ECSQ-EFN-1837	\$414
37"	24"	2"	ECSQ-EFN-237	\$414
37"	30"	2"	ECSQ-EFN-3037	\$497
37"	36"	2"	ECSQ-EFN-337	\$635
37"	42"	2"	ECSQ-EFN-4237	\$662
37"	48"	2"	ECSQ-EFN-437	\$635
37"	60"	2"	ECSQ-EFN-537	\$635

NOTES:

- PANELS DO NOT CARRY DATA



44" NON-POWERED PANEL / OPEN BASEPLATE



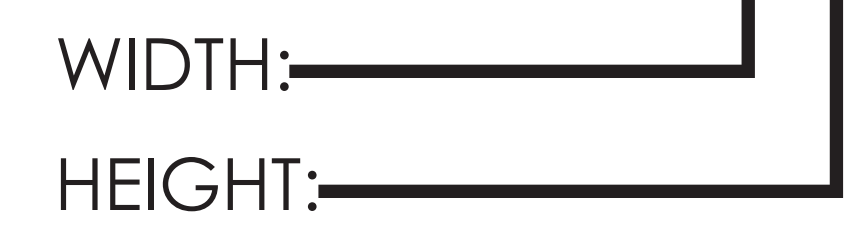
FEATURES:

- CONNECTING HINGES INCLUDED

TO ORDER, SPECIFY:

- PART NUMBER / SIZE
- PAINT COLOR
- FABRIC

PART: ECSQ-EFN-4244



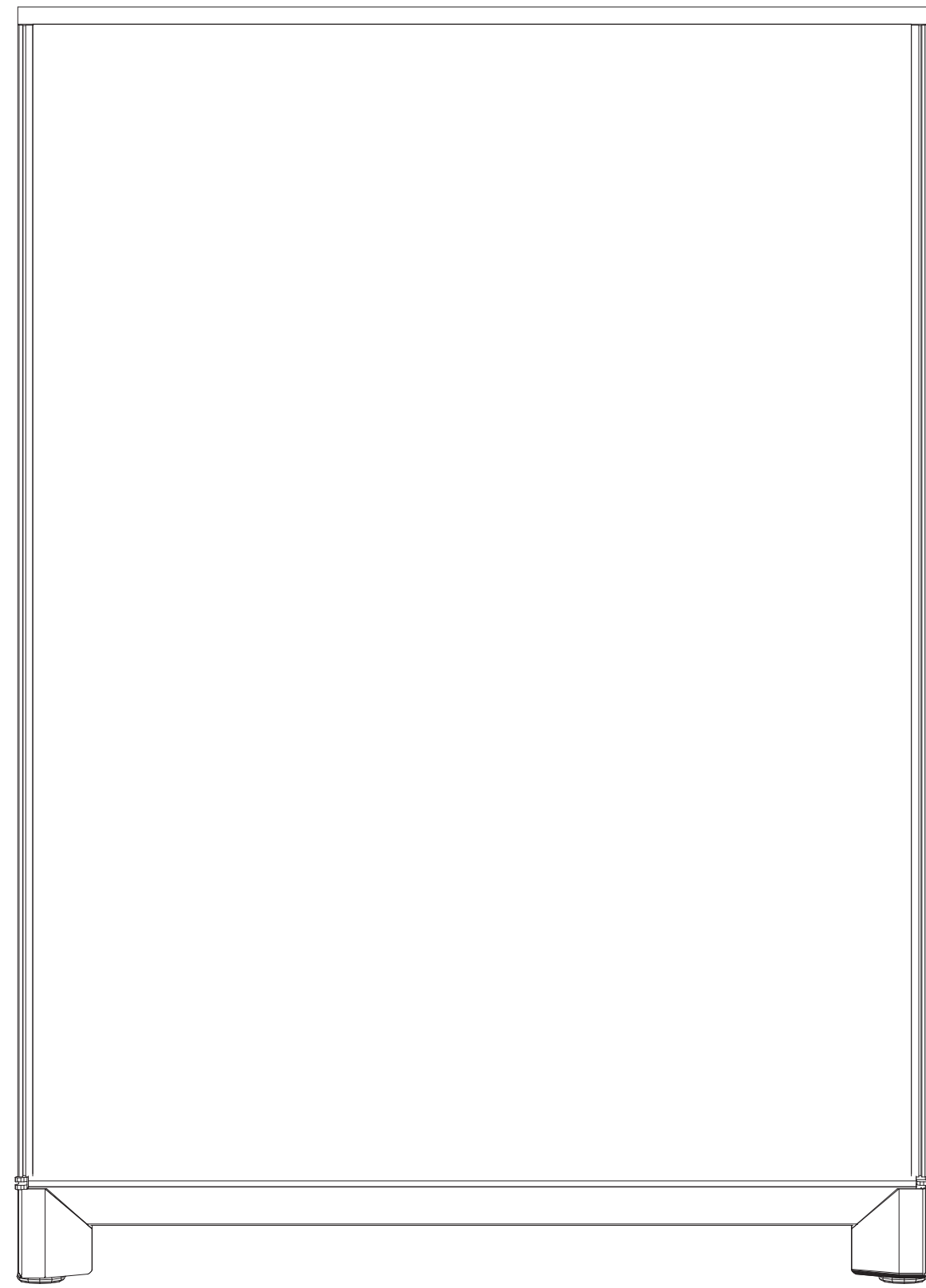
HEIGHT	WIDTH	DEPTH	PART NUMBER	LIST PRICE
44"	12"	2"	ECSQ-EFN-144	\$331
44"	18"	2"	ECSQ-EFN-1844	\$331
44"	24"	2"	ECSQ-EFN-244	\$331
44"	30"	2"	ECSQ-EFN-3044	\$441
44"	36"	2"	ECSQ-EFN-344	\$580
44"	42"	2"	ECSQ-EFN-4244	\$635
44"	48"	2"	ECSQ-EFN-444	\$580
44"	60"	2"	ECSQ-EFN-544	\$580

NOTES:

- PANELS DO NOT CARRY DATA



50" NON-POWERED PANEL / OPEN BASEPLATE



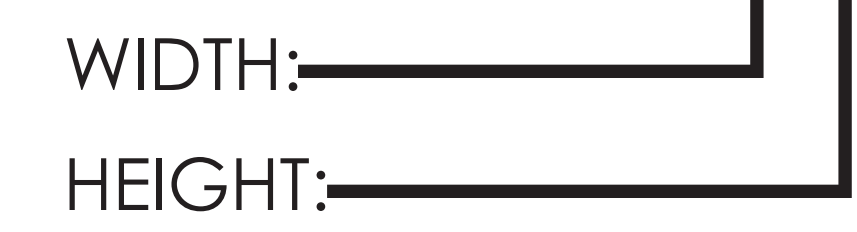
FEATURES:

- CONNECTING HINGES INCLUDED

TO ORDER, SPECIFY:

- PART NUMBER / SIZE
- PAINT COLOR
- FABRIC

PART: ECSQ-EFN-4250



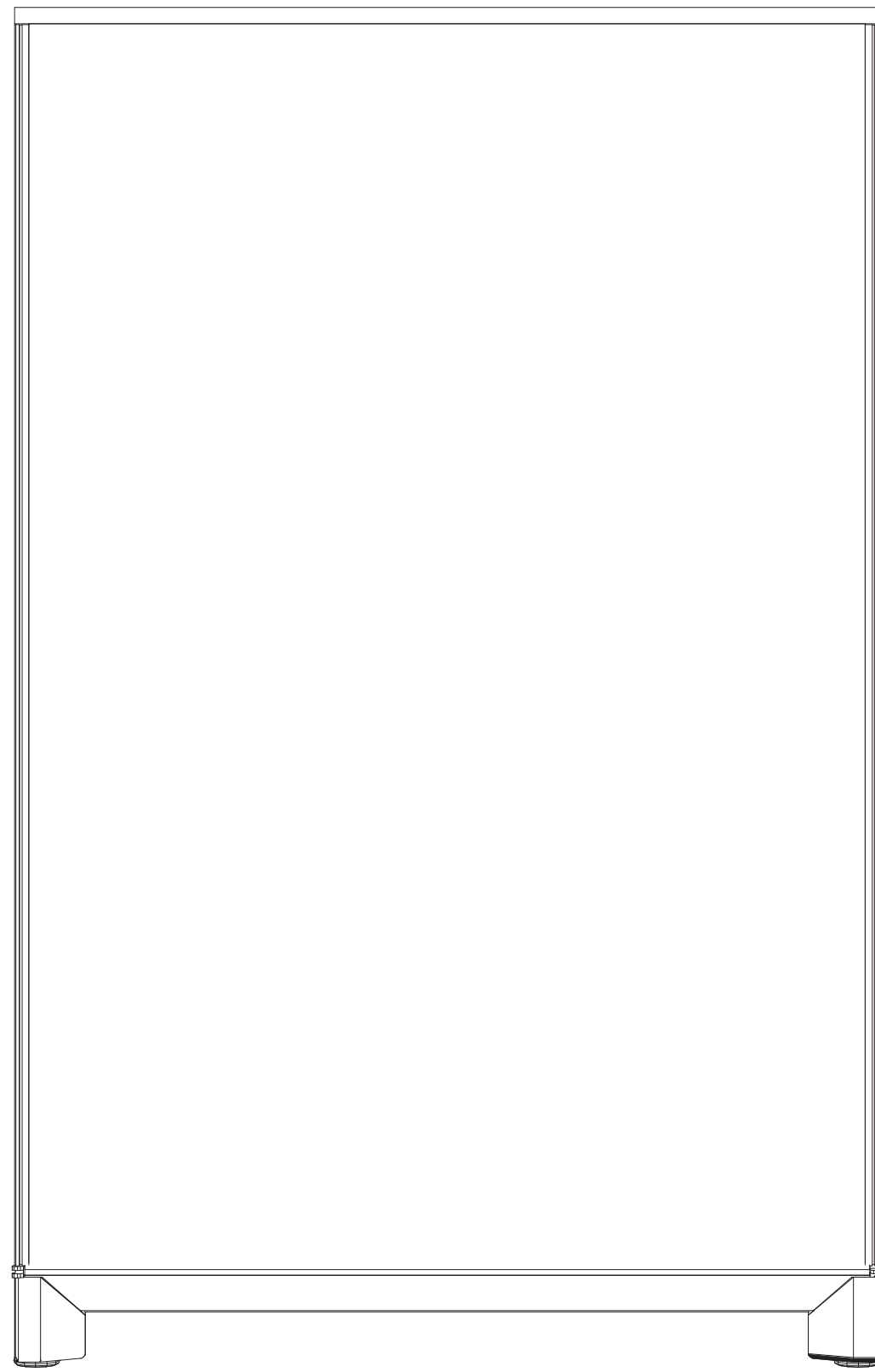
HEIGHT	WIDTH	DEPTH	PART NUMBER	LIST PRICE
50"	12"	2"	ECSQ-EFN-150	\$387
50"	18"	2"	ECSQ-EFN-1850	\$387
50"	24"	2"	ECSQ-EFN-250	\$387
50"	30"	2"	ECSQ-EFN-3050	\$497
50"	36"	2"	ECSQ-EFN-350	\$635
50"	42"	2"	ECSQ-EFN-4250	\$690
50"	48"	2"	ECSQ-EFN-450	\$635
50"	60"	2"	ECSQ-EFN-550	\$635

NOTES:

- PANELS DO NOT CARRY DATA



56" NON-POWERED PANEL / OPEN BASEPLATE



FEATURES:

- CONNECTING HINGES INCLUDED

TO ORDER, SPECIFY:

- PART NUMBER / SIZE
- PAINT COLOR
- FABRIC

PART: ECSQ-EFN-4244



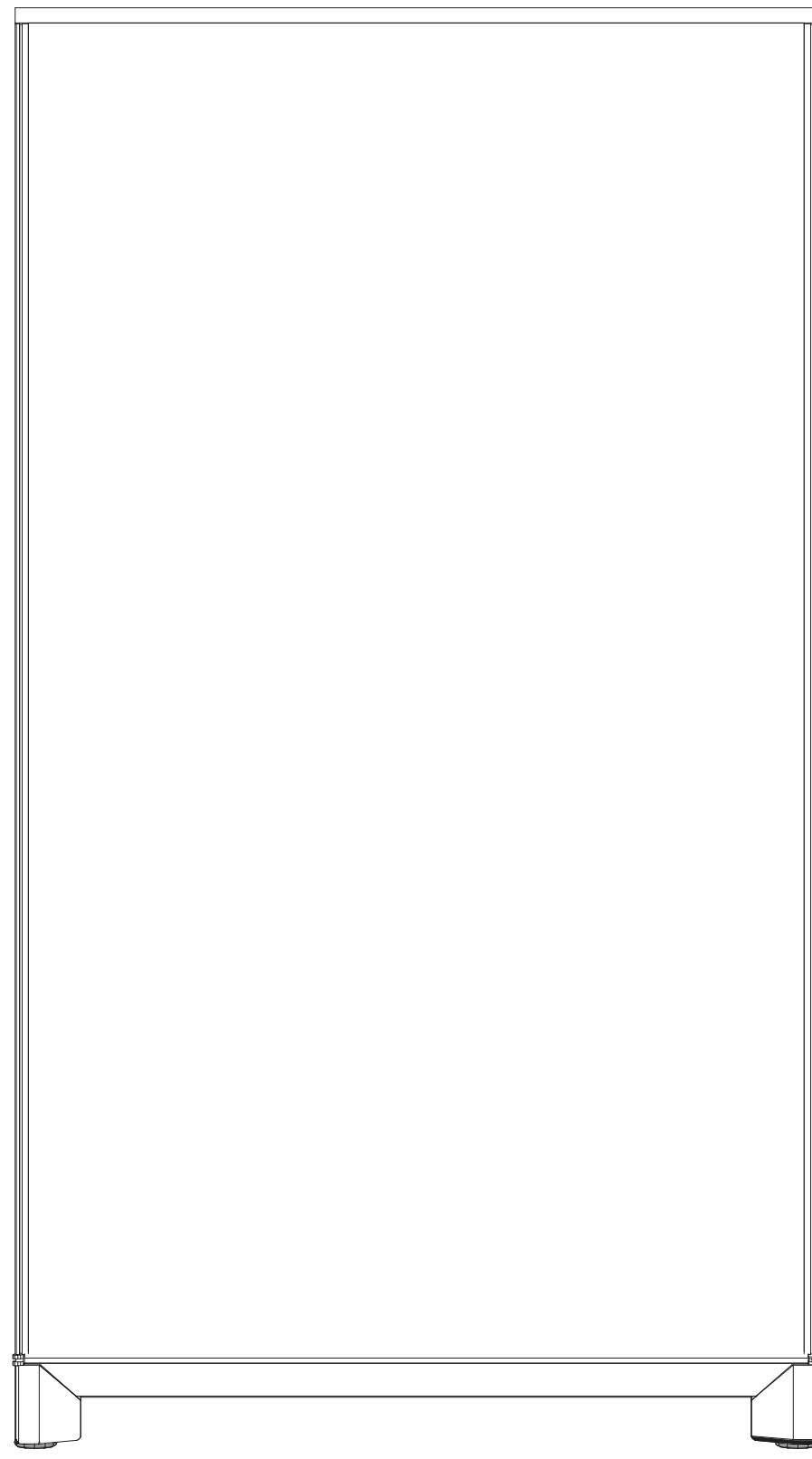
HEIGHT	WIDTH	DEPTH	PART NUMBER	LIST PRICE
56"	12"	2"	ECSQ-EFN-156	\$441
56"	18"	2"	ECSQ-EFN-1856	\$441
56"	24"	2"	ECSQ-EFN-256	\$441
56"	30"	2"	ECSQ-EFN-3056	\$552
56"	36"	2"	ECSQ-EFN-356	\$690
56"	42"	2"	ECSQ-EFN-4256	\$718
56"	48"	2"	ECSQ-EFN-456	\$690
56"	60"	2"	ECSQ-EFN-556	\$690

NOTES:

- PANELS DO NOT CARRY DATA



64" NON-POWERED PANEL / OPEN BASEPLATE



FEATURES:

- CONNECTING HINGES INCLUDED

TO ORDER, SPECIFY:

- PART NUMBER / SIZE
- PAINT COLOR
- FABRIC

PART: ECSQ-EFN-4250

WIDTH: _____
HEIGHT: _____

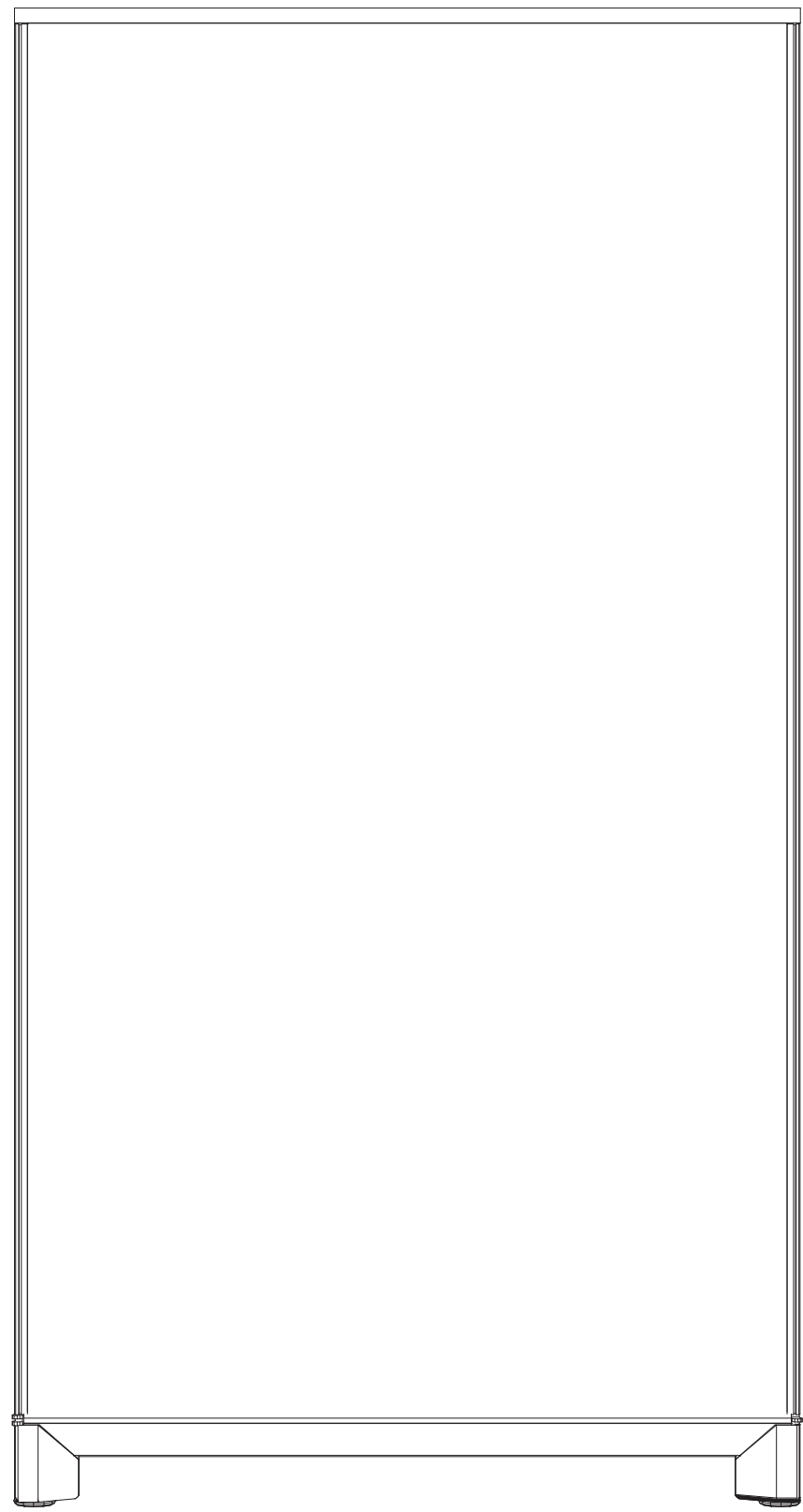
HEIGHT	WIDTH	DEPTH	PART NUMBER	LIST PRICE
64"	12"	2"	ECSQ-EFN-164	\$360
64"	18"	2"	ECSQ-EFN-1864	\$360
64"	24"	2"	ECSQ-EFN-264	\$360
64"	30"	2"	ECSQ-EFN-3064	\$470
64"	36"	2"	ECSQ-EFN-364	\$607
64"	42"	2"	ECSQ-EFN-4264	\$690
64"	48"	2"	ECSQ-EFN-464	\$607
64"	60"	2"	ECSQ-EFN-564	\$607

NOTES:

- PANELS DO NOT CARRY DATA



68" NON-POWERED PANEL / OPEN BASEPLATE



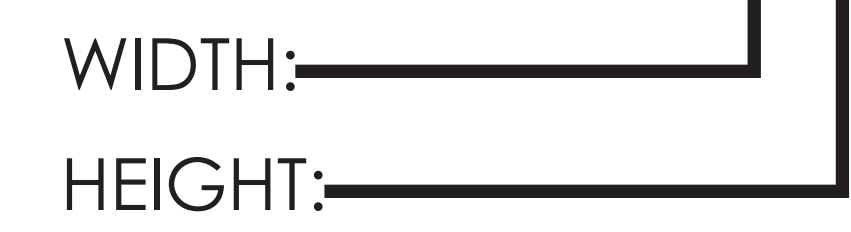
FEATURES:

- CONNECTING HINGES INCLUDED

TO ORDER, SPECIFY:

- PART NUMBER / SIZE
- PAINT COLOR
- FABRIC

PART: ECSQ-EFN-4244



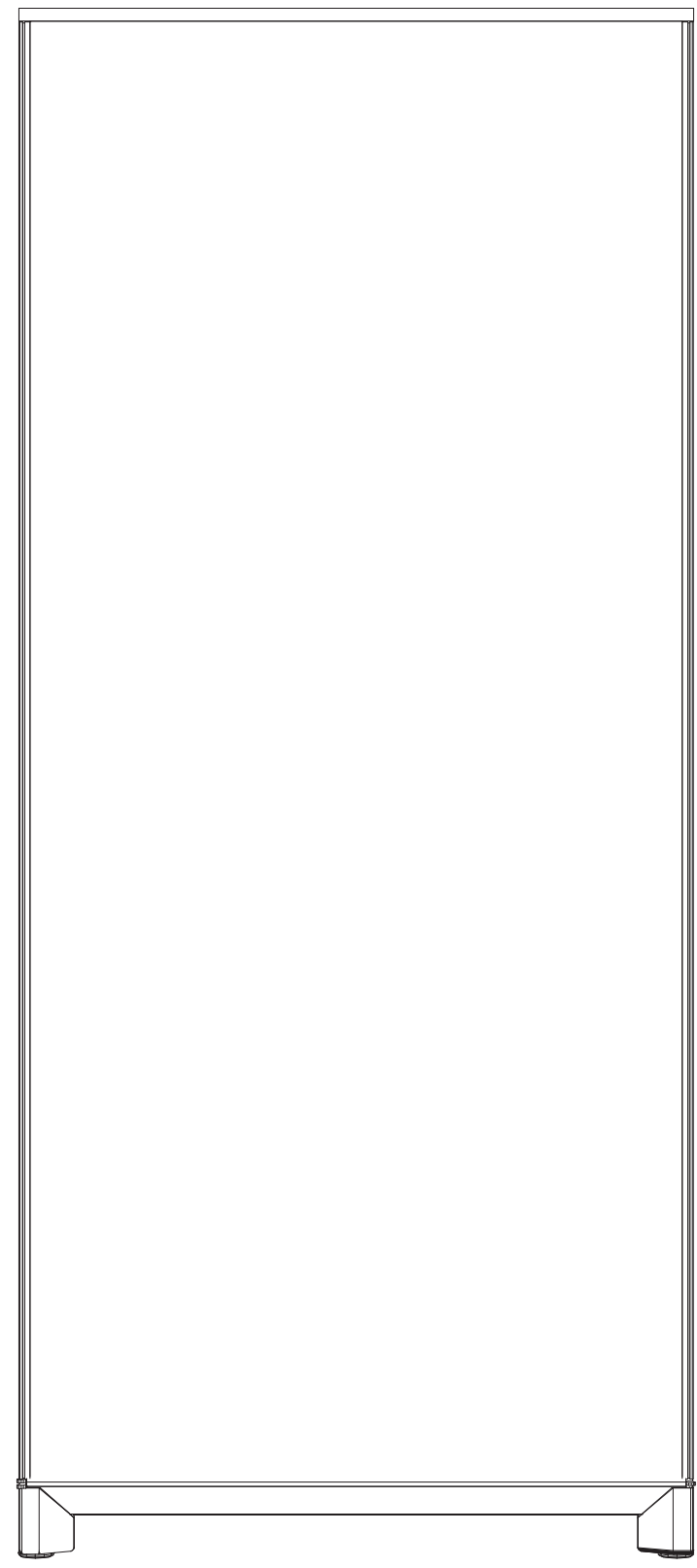
HEIGHT	WIDTH	DEPTH	PART NUMBER	LIST PRICE
68"	12"	2"	ECSQ-EFN-168	\$360
68"	18"	2"	ECSQ-EFN-1868	\$360
68"	24"	2"	ECSQ-EFN-268	\$360
68"	30"	2"	ECSQ-EFN-3068	\$552
68"	36"	2"	ECSQ-EFN-368	\$690
68"	42"	2"	ECSQ-EFN-4268	\$745
68"	48"	2"	ECSQ-EFN-468	\$690
68"	60"	2"	ECSQ-EFN-568	\$690

NOTES:

- PANELS DO NOT CARRY DATA



82" NON-POWERED PANEL / OPEN BASEPLATE



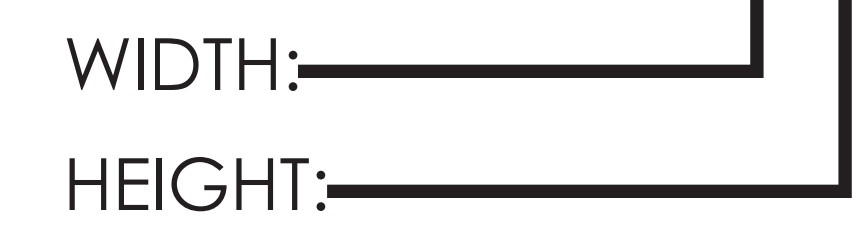
FEATURES:

- CONNECTING HINGES INCLUDED

TO ORDER, SPECIFY:

- PART NUMBER / SIZE
- PAINT COLOR
- FABRIC

PART: ECSQ-EFN-4250



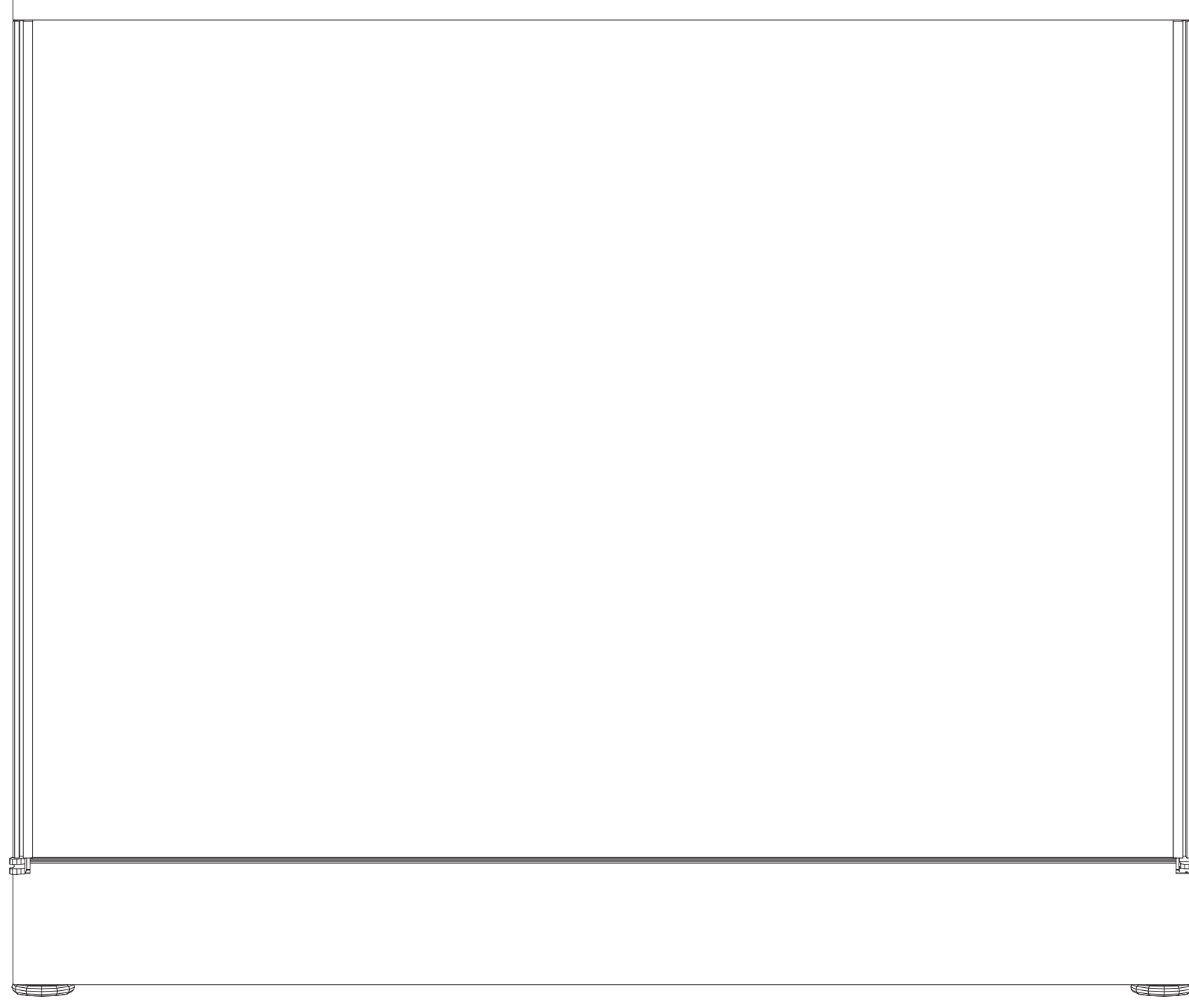
HEIGHT	WIDTH	DEPTH	PART NUMBER	LIST PRICE
82"	12"	2"	ECSQ-EFN-182	\$552
82"	18"	2"	ECSQ-EFN-1882	\$662
82"	24"	2"	ECSQ-EFN-282	\$690
82"	30"	2"	ECSQ-EFN-3082	\$801
82"	36"	2"	ECSQ-EFN-382	\$882
82"	42"	2"	ECSQ-EFN-4282	\$938
82"	48"	2"	ECSQ-EFN-482	\$965
82"	60"	2"	ECSQ-EFN-582	\$1103

NOTES:

- PANELS DO NOT CARRY DATA



30" NON-POWERED PANEL / FULL BASEPLATE



FEATURES:

- CONNECTING HINGES INCLUDED

TO ORDER, SPECIFY:

- PART NUMBER / SIZE
- PAINT COLOR
- FABRIC

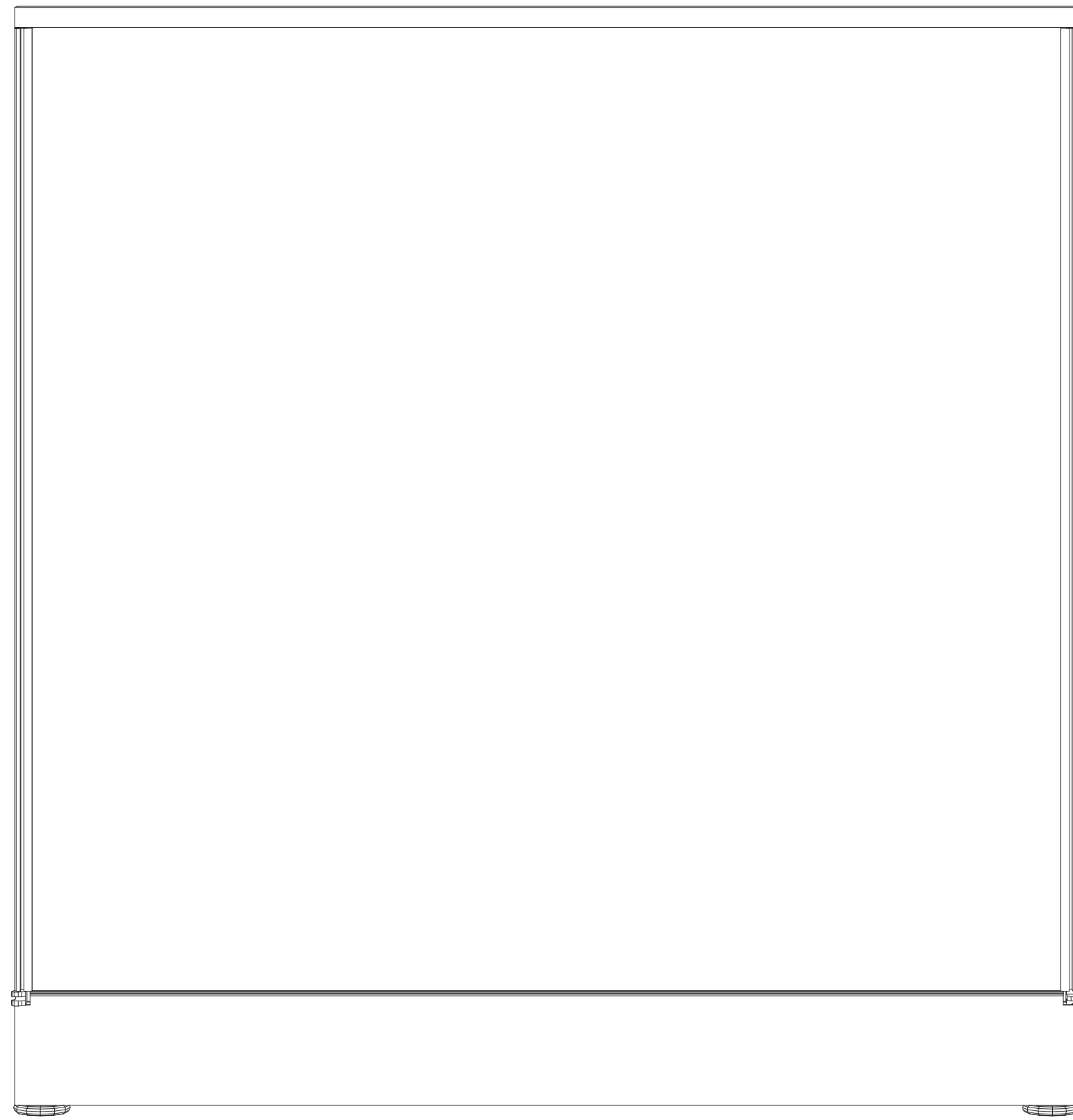
PART: ECSQ-EFN-4230-OSB



HEIGHT	WIDTH	DEPTH	PART NUMBER	LIST PRICE
30"	12"	2"	ECSQ-EFN-130-OSB	\$435
30"	18"	2"	ECSQ-EFN-1830-OSB	\$435
30"	24"	2"	ECSQ-EFN-230-OSB	\$435
30"	30"	2"	ECSQ-EFN-3030-OSB	\$522
30"	36"	2"	ECSQ-EFN-330-OSB	\$667
30"	42"	2"	ECSQ-EFN-4230-OSB	\$696
30"	48"	2"	ECSQ-EFN-430-OSB	\$667
30"	60"	2"	ECSQ-EFN-530-OSB	\$667



37" NON-POWERED PANEL / FULL BASEPLATE



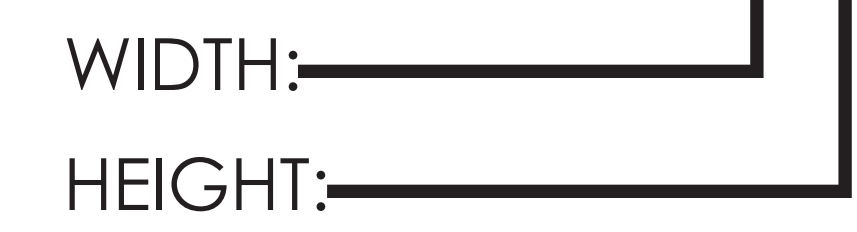
FEATURES:

- CONNECTING HINGES INCLUDED

TO ORDER, SPECIFY:

- PART NUMBER / SIZE
- PAINT COLOR
- FABRIC

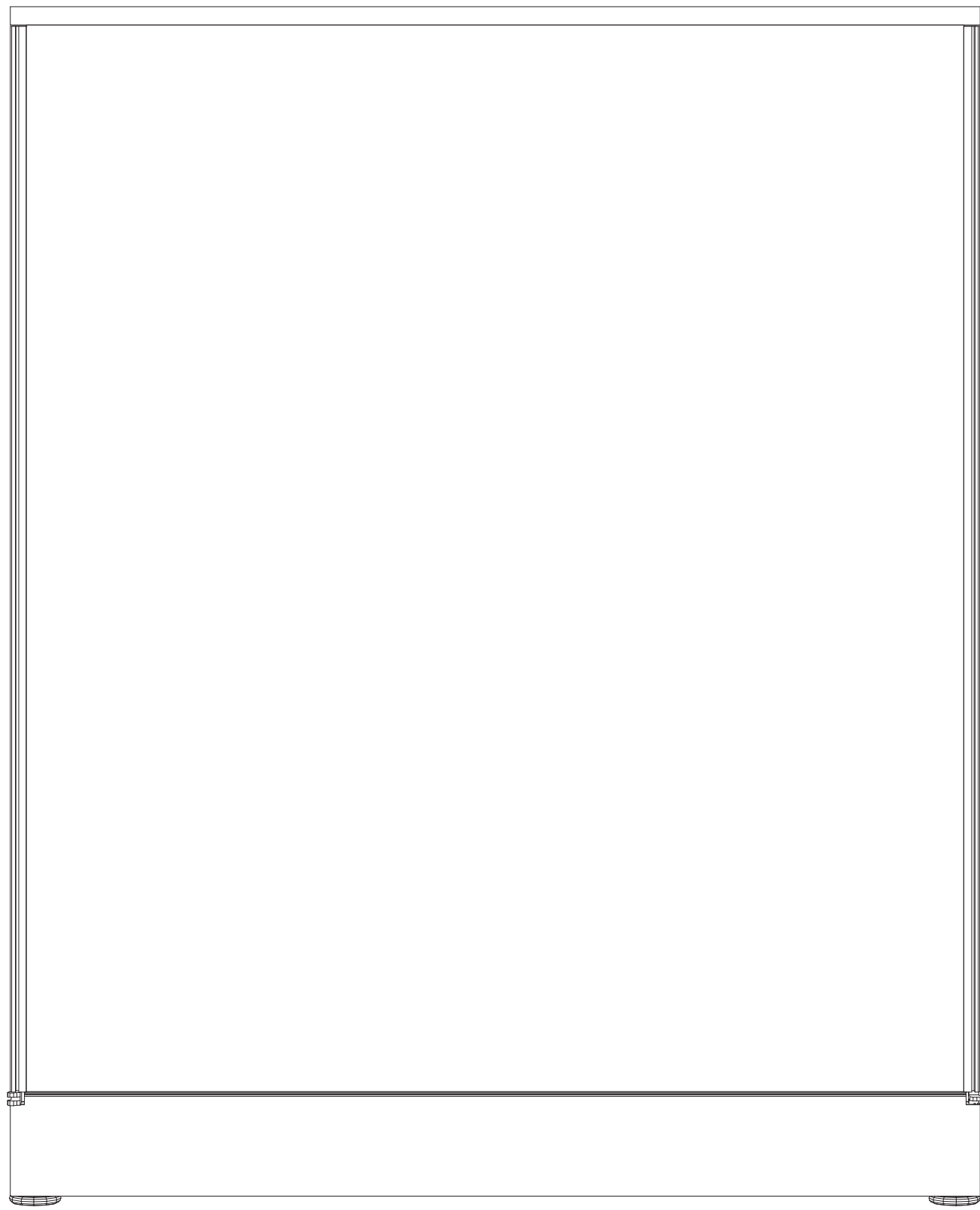
PART: ECSQ-EFN-4237-OSB



HEIGHT	WIDTH	DEPTH	PART NUMBER	LIST PRICE
37"	12"	2"	ECSQ-EFN-137-OSB	\$435
37"	18"	2"	ECSQ-EFN-1837-OSB	\$435
37"	24"	2"	ECSQ-EFN-237-OSB	\$435
37"	30"	2"	ECSQ-EFN-3037-OSB	\$522
37"	36"	2"	ECSQ-EFN-337-OSB	\$667
37"	42"	2"	ECSQ-EFN-4237-OSB	\$696
37"	48"	2"	ECSQ-EFN-437-OSB	\$667
37"	60"	2"	ECSQ-EFN-537-OSB	\$667



44" NON-POWERED PANEL / FULL BASEPLATE



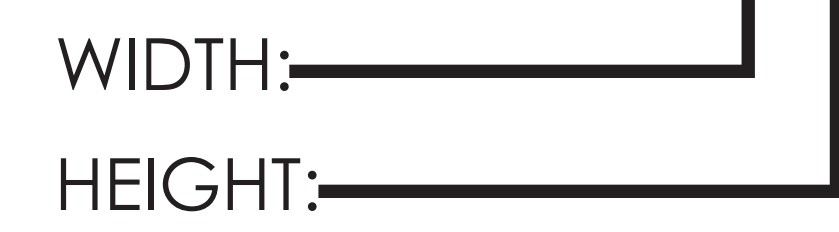
FEATURES:

- CONNECTING HINGES INCLUDED

TO ORDER, SPECIFY:

- PART NUMBER / SIZE
- PAINT COLOR
- FABRIC

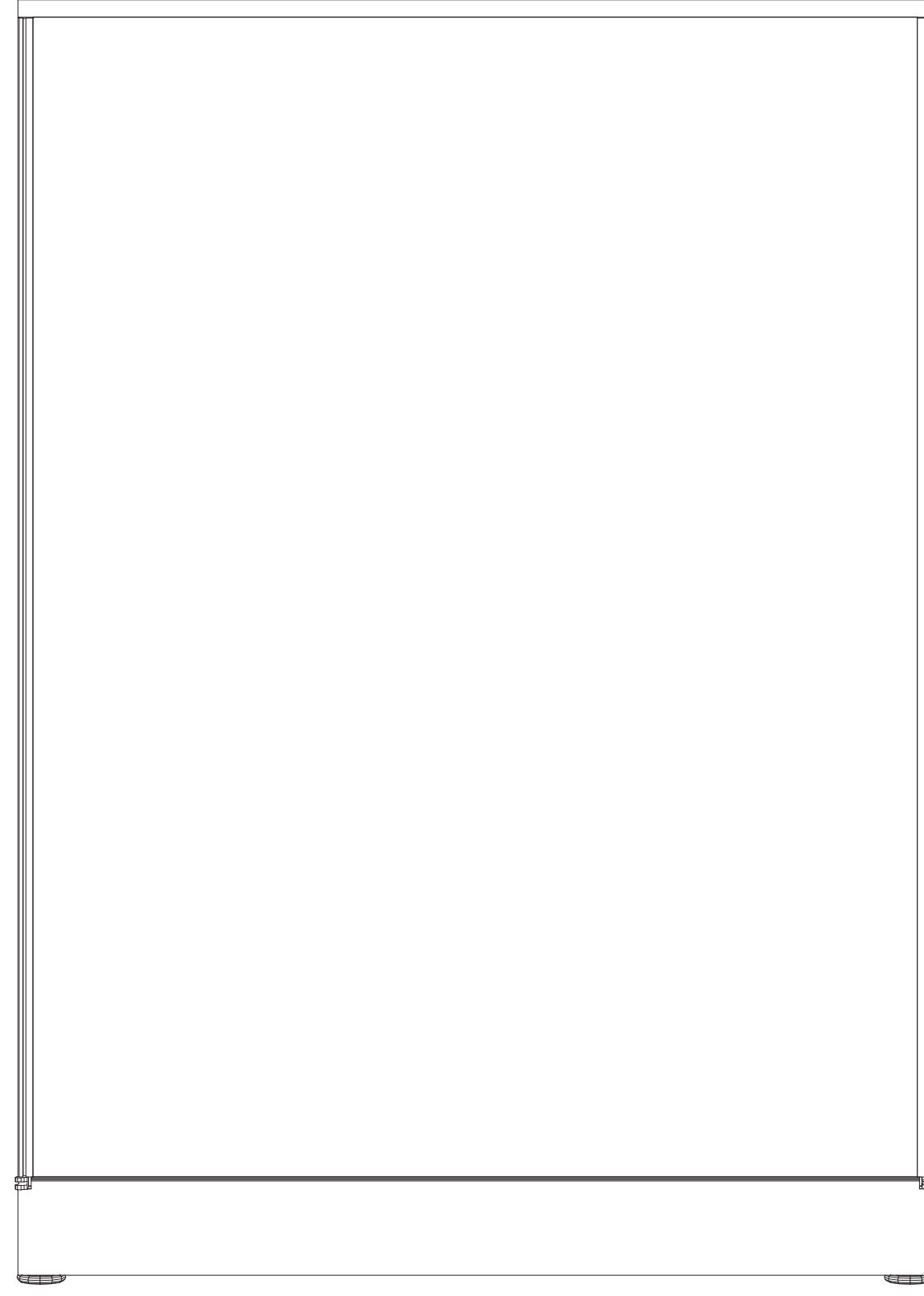
PART: ECSQ-EFN-4244-OSB



HEIGHT	WIDTH	DEPTH	PART NUMBER	LIST PRICE
44"	12"	2"	ECSQ-EFN-144-OSB	\$348
44"	18"	2"	ECSQ-EFN-1844-OSB	\$348
44"	24"	2"	ECSQ-EFN-244-OSB	\$348
44"	30"	2"	ECSQ-EFN-3044-OSB	\$464
44"	36"	2"	ECSQ-EFN-344-OSB	\$609
44"	42"	2"	ECSQ-EFN-4244-OSB	\$667
44"	48"	2"	ECSQ-EFN-444-OSB	\$609
44"	60"	2"	ECSQ-EFN-544-OSB	\$609



50" NON-POWERED PANEL / FULL BASEPLATE



FEATURES:

- CONNECTING HINGES INCLUDED

TO ORDER, SPECIFY:

- PART NUMBER / SIZE
- PAINT COLOR
- FABRIC

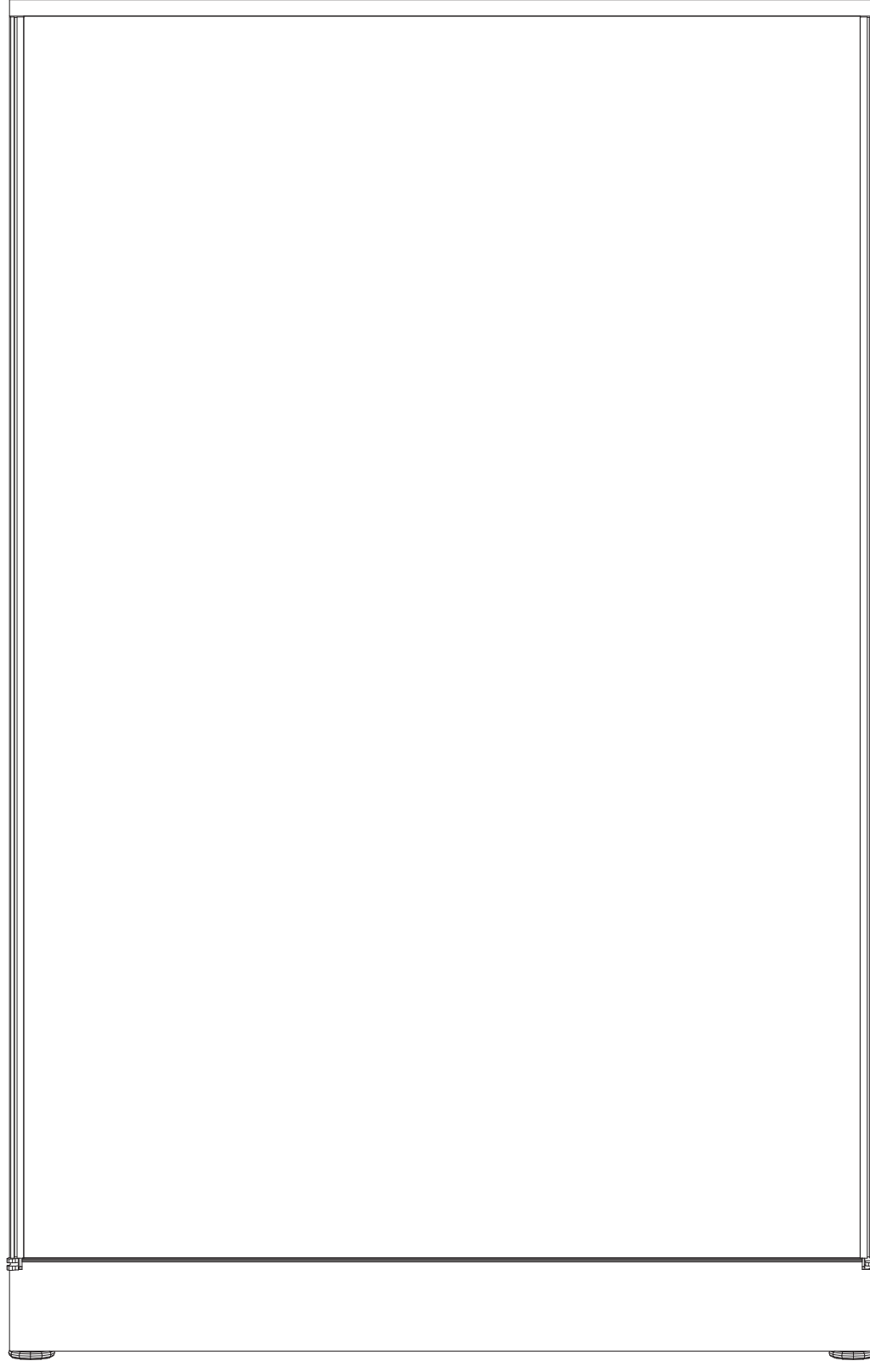
PART: ECSQ-EFN-4250-OSB

WIDTH: _____
 HEIGHT: _____

HEIGHT	WIDTH	DEPTH	PART NUMBER	LIST PRICE
50"	12"	2"	ECSQ-EFN-150-OSB	\$407
50"	18"	2"	ECSQ-EFN-1850-OSB	\$407
50"	24"	2"	ECSQ-EFN-250-OSB	\$407
50"	30"	2"	ECSQ-EFN-3050-OSB	\$522
50"	36"	2"	ECSQ-EFN-350-OSB	\$667
50"	42"	2"	ECSQ-EFN-4250-OSB	\$725
50"	48"	2"	ECSQ-EFN-450-OSB	\$667
50"	60"	2"	ECSQ-EFN-550-OSB	\$667



56" NON-POWERED PANEL / FULL BASEPLATE



FEATURES:

- CONNECTING HINGES INCLUDED

TO ORDER, SPECIFY:

- PART NUMBER / SIZE
- PAINT COLOR
- FABRIC

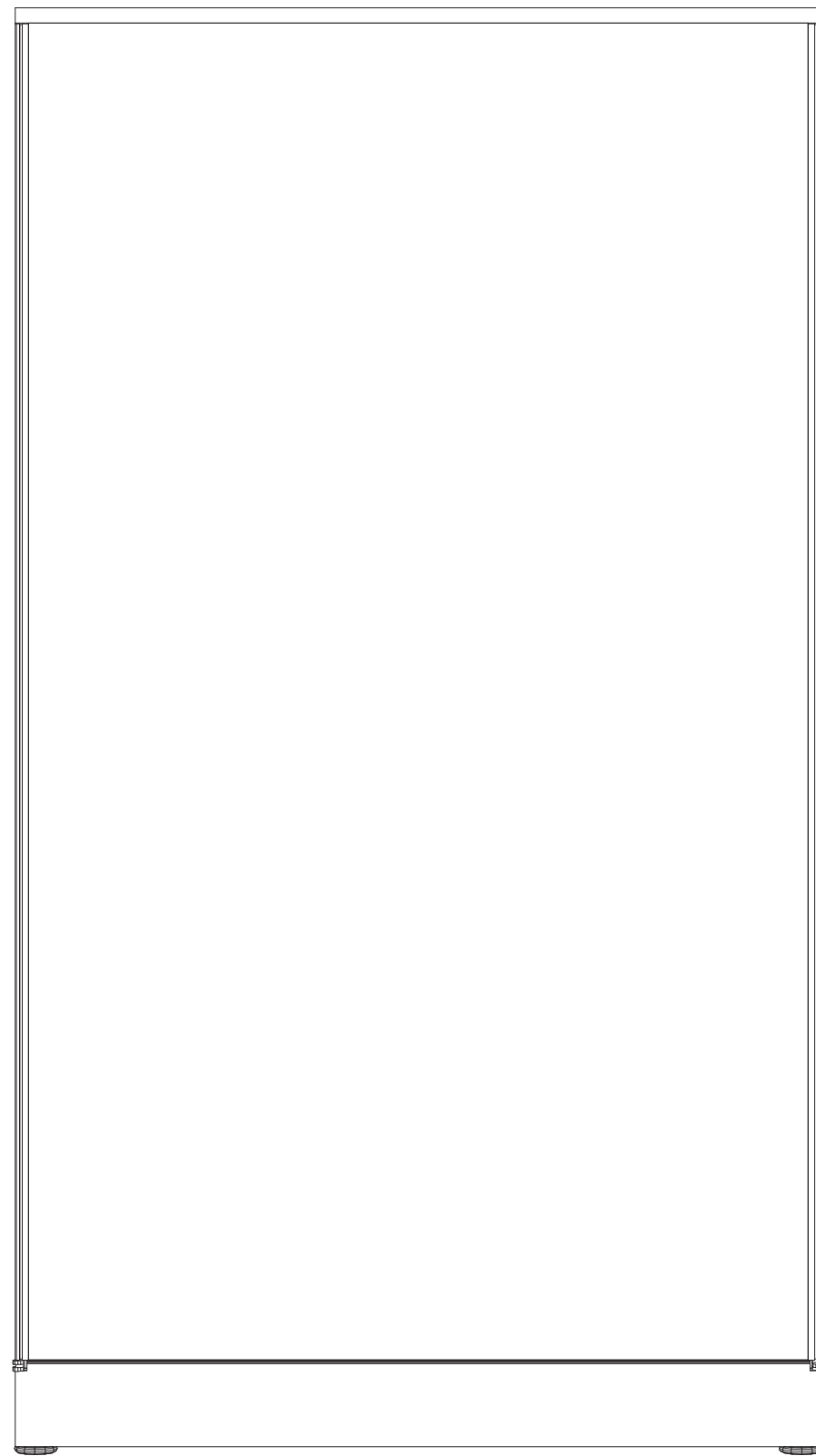
PART: ECSQ-EFN-4244-OSB



HEIGHT	WIDTH	DEPTH	PART NUMBER	LIST PRICE
56"	12"	2"	ECSQ-EFN-156-OSB	\$464
56"	18"	2"	ECSQ-EFN-1856-OSB	\$464
56"	24"	2"	ECSQ-EFN-256-OSB	\$464
56"	30"	2"	ECSQ-EFN-3056-OSB	\$580
56"	36"	2"	ECSQ-EFN-356-OSB	\$725
56"	42"	2"	ECSQ-EFN-4256-OSB	\$754
56"	48"	2"	ECSQ-EFN-456-OSB	\$725
56"	60"	2"	ECSQ-EFN-556-OSB	\$725



64" NON-POWERED PANEL / FULL BASEPLATE



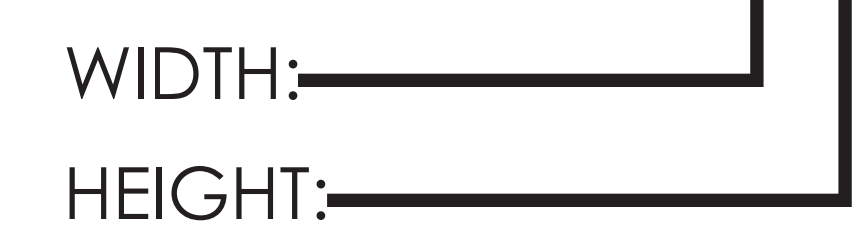
FEATURES:

- CONNECTING HINGES INCLUDED

TO ORDER, SPECIFY:

- PART NUMBER / SIZE
- PAINT COLOR
- FABRIC

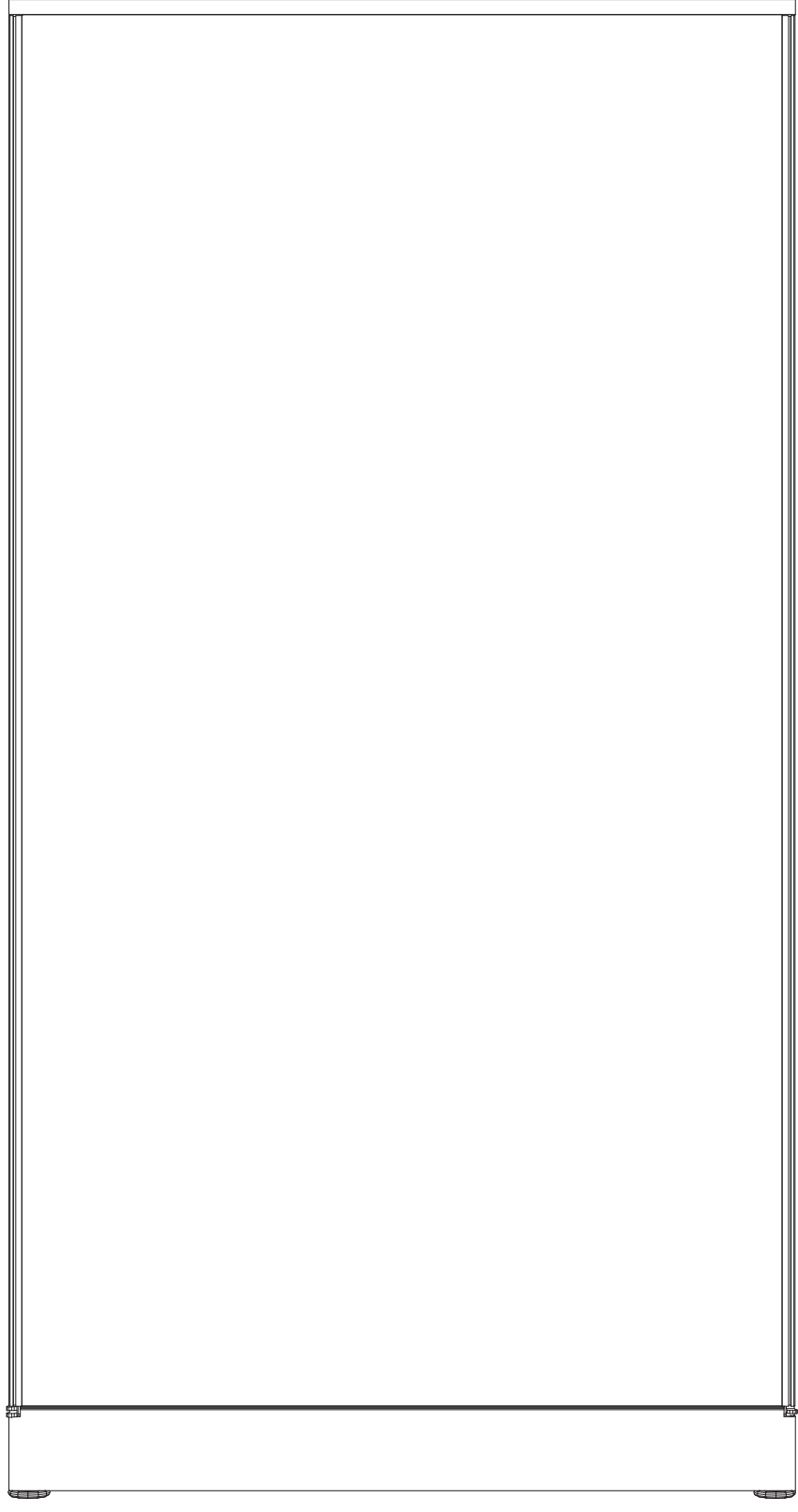
PART: ECSQ-EFN-4250-OSB



HEIGHT	WIDTH	DEPTH	PART NUMBER	LIST PRICE
64"	12"	2"	ECSQ-EFN-164-OSB	\$378
64"	18"	2"	ECSQ-EFN-1864-OSB	\$378
64"	24"	2"	ECSQ-EFN-264-OSB	\$378
64"	30"	2"	ECSQ-EFN-3064-OSB	\$494
64"	36"	2"	ECSQ-EFN-364-OSB	\$638
64"	42"	2"	ECSQ-EFN-4264-OSB	\$725
64"	48"	2"	ECSQ-EFN-464-OSB	\$638
64"	60"	2"	ECSQ-EFN-564-OSB	\$638



68" NON-POWERED PANEL / FULL BASEPLATE



FEATURES:

- CONNECTING HINGES INCLUDED

TO ORDER, SPECIFY:

- PART NUMBER / SIZE
- PAINT COLOR
- FABRIC

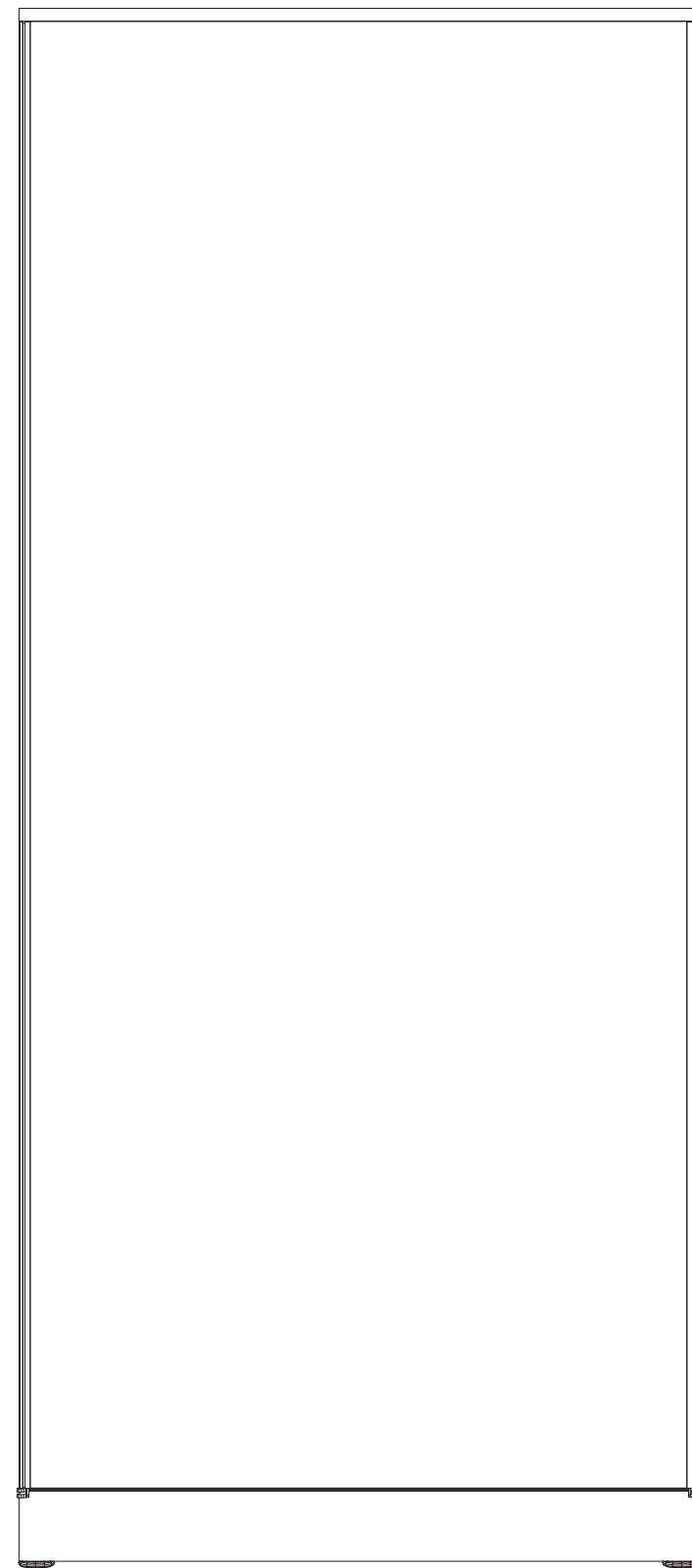
PART: ECSQ-EFN-4244-OSB



HEIGHT	WIDTH	DEPTH	PART NUMBER	LIST PRICE
68"	12"	2"	ECSQ-EFN-168-OSB	\$378
68"	18"	2"	ECSQ-EFN-1868-OSB	\$378
68"	24"	2"	ECSQ-EFN-268-OSB	\$378
68"	30"	2"	ECSQ-EFN-3068-OSB	\$580
68"	36"	2"	ECSQ-EFN-368-OSB	\$725
68"	42"	2"	ECSQ-EFN-4268-OSB	\$783
68"	48"	2"	ECSQ-EFN-468-OSB	\$725
68"	60"	2"	ECSQ-EFN-568-OSB	\$725



82" NON-POWERED PANEL / FULL BASEPLATE



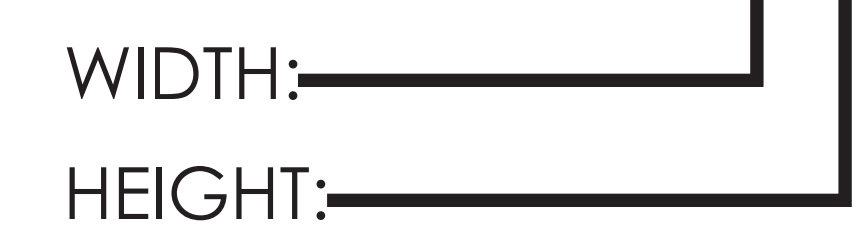
FEATURES:

- CONNECTING HINGES INCLUDED

TO ORDER, SPECIFY:

- PART NUMBER / SIZE
- PAINT COLOR
- FABRIC

PART: ECSQ-EFN-4250-OSB



HEIGHT	WIDTH	DEPTH	PART NUMBER	LIST PRICE
82"	12"	2"	ECSQ-EFN-182-OSB	\$580
82"	18"	2"	ECSQ-EFN-1882-OSB	\$696
82"	24"	2"	ECSQ-EFN-282-OSB	\$725
82"	30"	2"	ECSQ-EFN-3082-OSB	\$842
82"	36"	2"	ECSQ-EFN-382-OSB	\$927
82"	42"	2"	ECSQ-EFN-4282-OSB	\$985
82"	48"	2"	ECSQ-EFN-482-OSB	\$1014
82"	60"	2"	ECSQ-EFN-582-OSB	\$1159



30" POWERED PANEL / FULL BASEPLATE



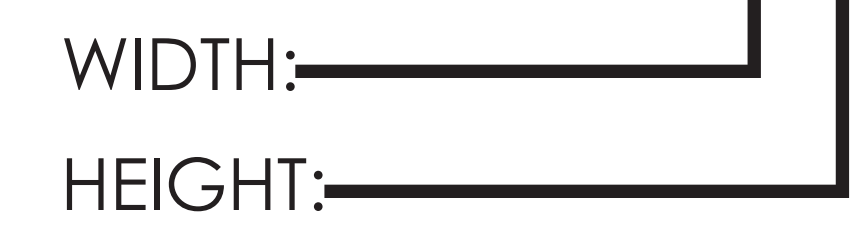
FEATURES:

- CONNECTING HINGES INCLUDED

TO ORDER, SPECIFY:

- PART NUMBER / SIZE
- PAINT COLOR
- FABRIC

PART: ECSQ-EFP-4230



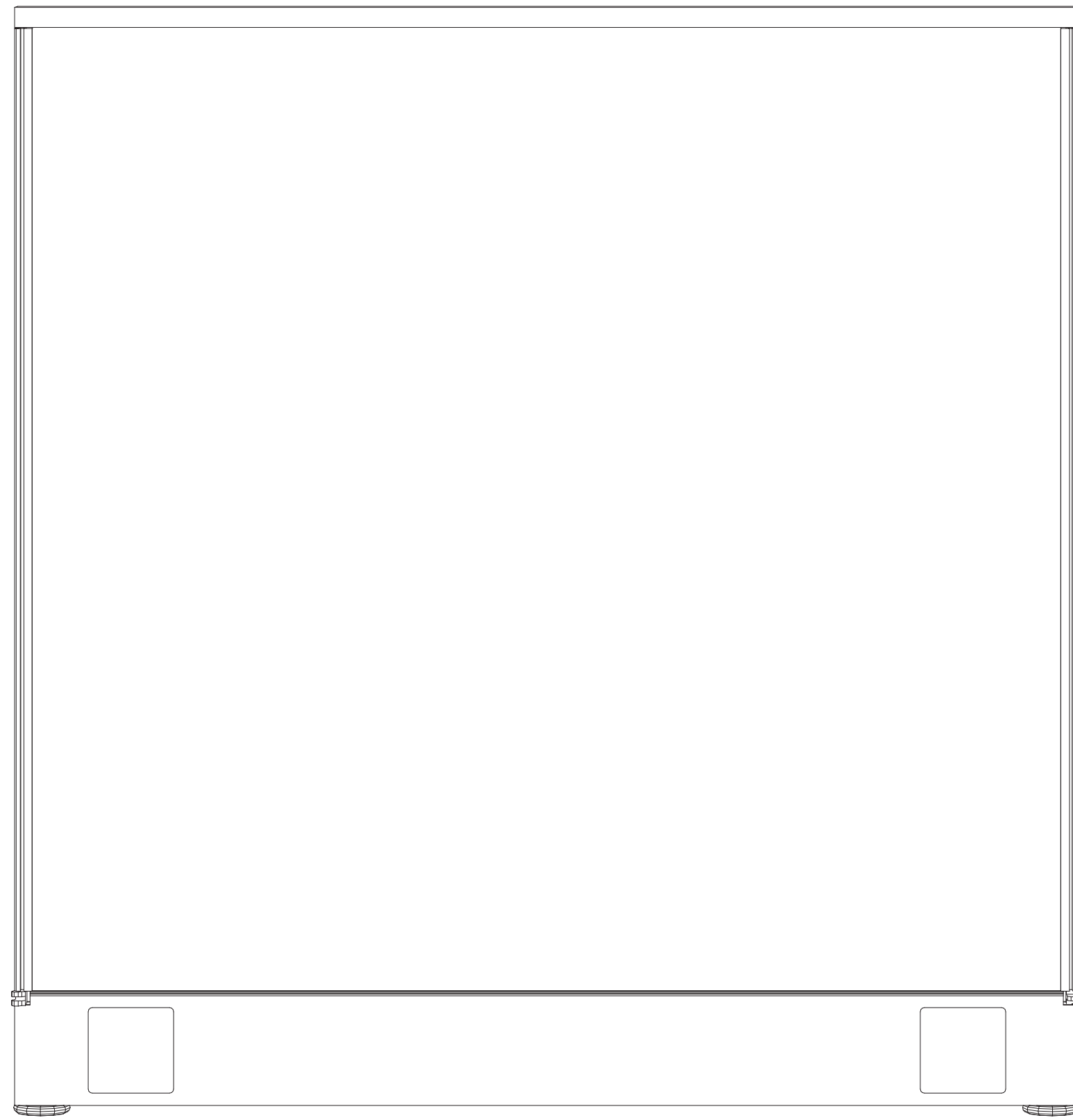
HEIGHT	WIDTH	DEPTH	PART NUMBER	LIST PRICE
30"	12"	2"	ECSQ-EFP-130	\$524
30"	18"	2"	ECSQ-EFP-1830	\$524
30"	24"	2"	ECSQ-EFP-230	\$470
30"	30"	2"	ECSQ-EFP-3030	\$552
30"	36"	2"	ECSQ-EFP-330	\$745
30"	42"	2"	ECSQ-EFP-4230	\$772
30"	48"	2"	ECSQ-EFP-430	\$745
30"	60"	2"	ECSQ-EFP-530	\$745

NOTES:

- DUPLEXES SPECIFIED SEPARATELY



37" POWERED PANEL / FULL BASEPLATE



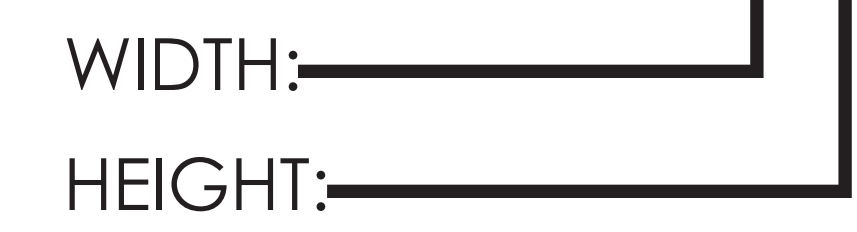
FEATURES:

- CONNECTING HINGES INCLUDED

TO ORDER, SPECIFY:

- PART NUMBER / SIZE
- PAINT COLOR
- FABRIC

PART: ECSQ-EFP-4237



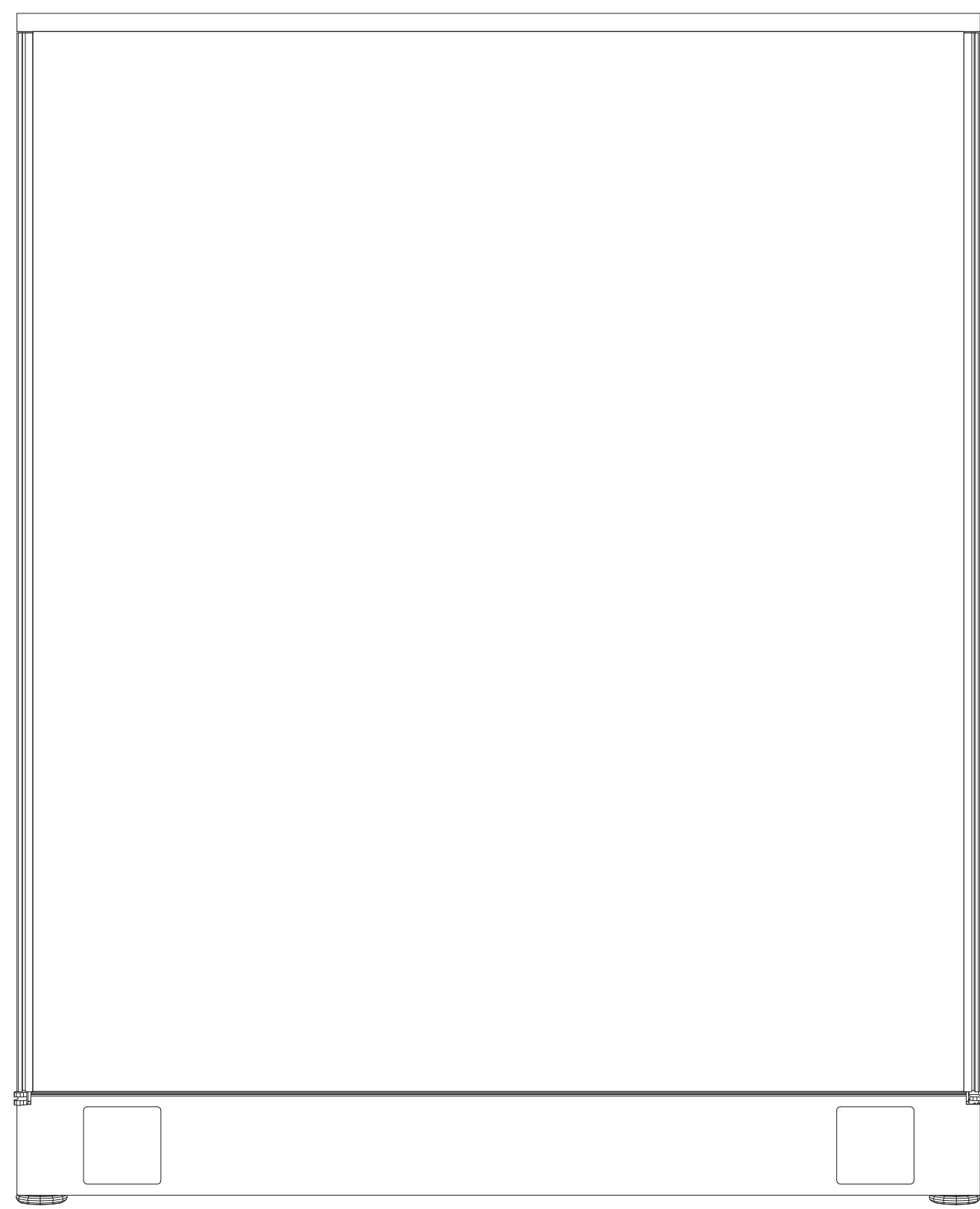
HEIGHT	WIDTH	DEPTH	PART NUMBER	LIST PRICE
37"	12"	2"	ECSQ-EFP-137	\$524
37"	18"	2"	ECSQ-EFP-1837	\$524
37"	24"	2"	ECSQ-EFP-237	\$470
37"	30"	2"	ECSQ-EFP-3037	\$552
37"	36"	2"	ECSQ-EFP-337	\$745
37"	42"	2"	ECSQ-EFP-4237	\$772
37"	48"	2"	ECSQ-EFP-437	\$745
37"	60"	2"	ECSQ-EFP-537	\$745

NOTES:

- DUPLEXES SPECIFIED SEPARATELY



44" POWERED PANEL / FULL BASEPLATE



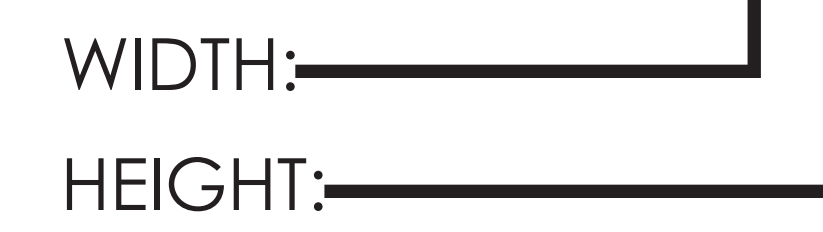
FEATURES:

- CONNECTING HINGES INCLUDED

TO ORDER, SPECIFY:

- PART NUMBER / SIZE
- PAINT COLOR
- FABRIC

PART: ECSQ-EFP-4244



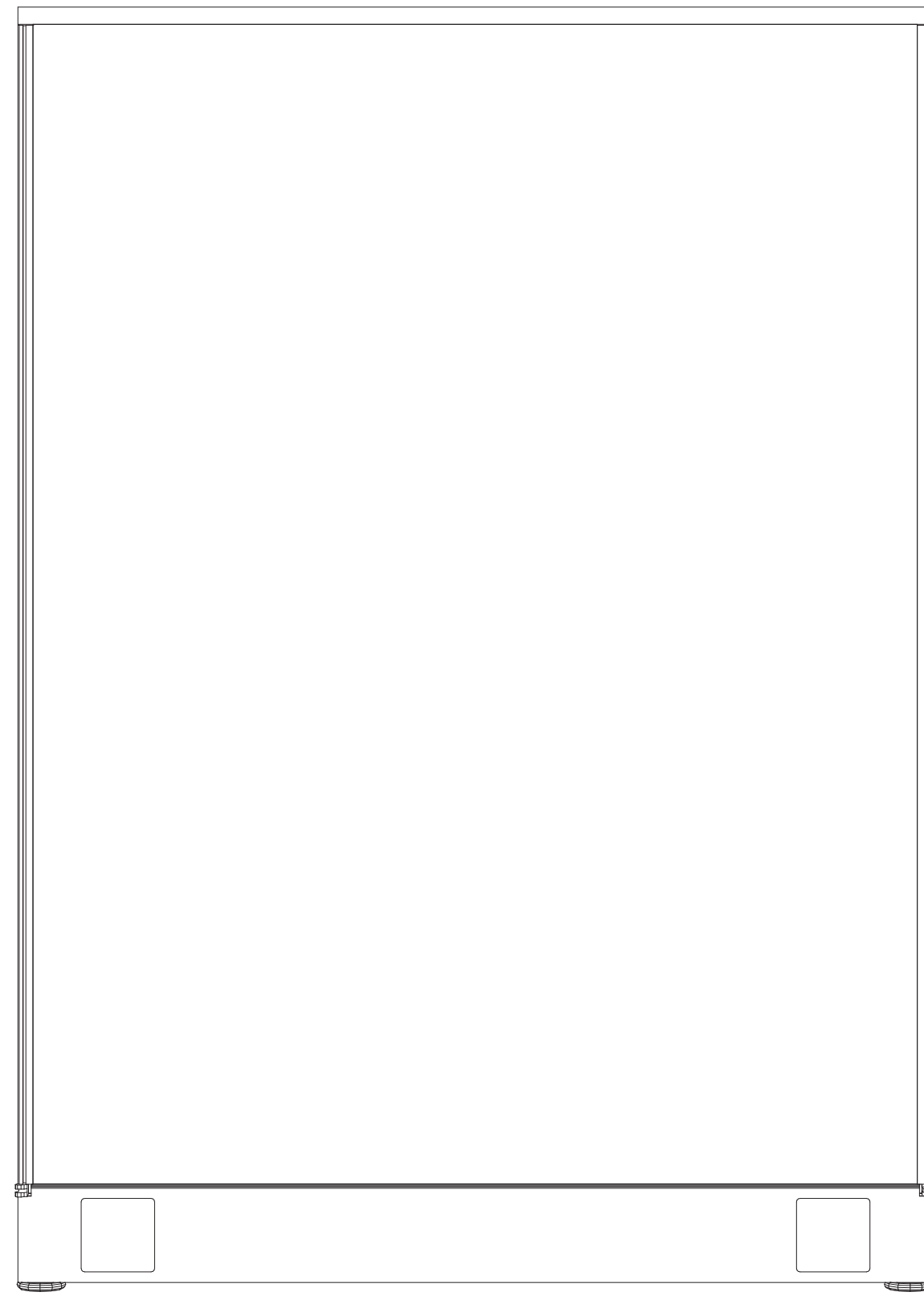
HEIGHT	WIDTH	DEPTH	PART NUMBER	LIST PRICE
44"	12"	2"	ECSQ-EFP-144	\$441
44"	18"	2"	ECSQ-EFP-1844	\$441
44"	24"	2"	ECSQ-EFP-244	\$387
44"	30"	2"	ECSQ-EFP-3044	\$497
44"	36"	2"	ECSQ-EFP-344	\$690
44"	42"	2"	ECSQ-EFP-4244	\$745
44"	48"	2"	ECSQ-EFP-444	\$690
44"	60"	2"	ECSQ-EFP-544	\$690

NOTES:

- DUPLEXES SPECIFIED SEPARATELY



50" POWERED PANEL / FULL BASEPLATE



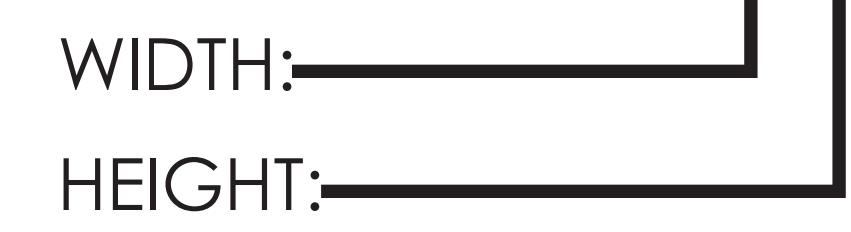
FEATURES:

- CONNECTING HINGES INCLUDED

TO ORDER, SPECIFY:

- PART NUMBER / SIZE
- PAINT COLOR
- FABRIC

PART: ECSQ-EFP-4250



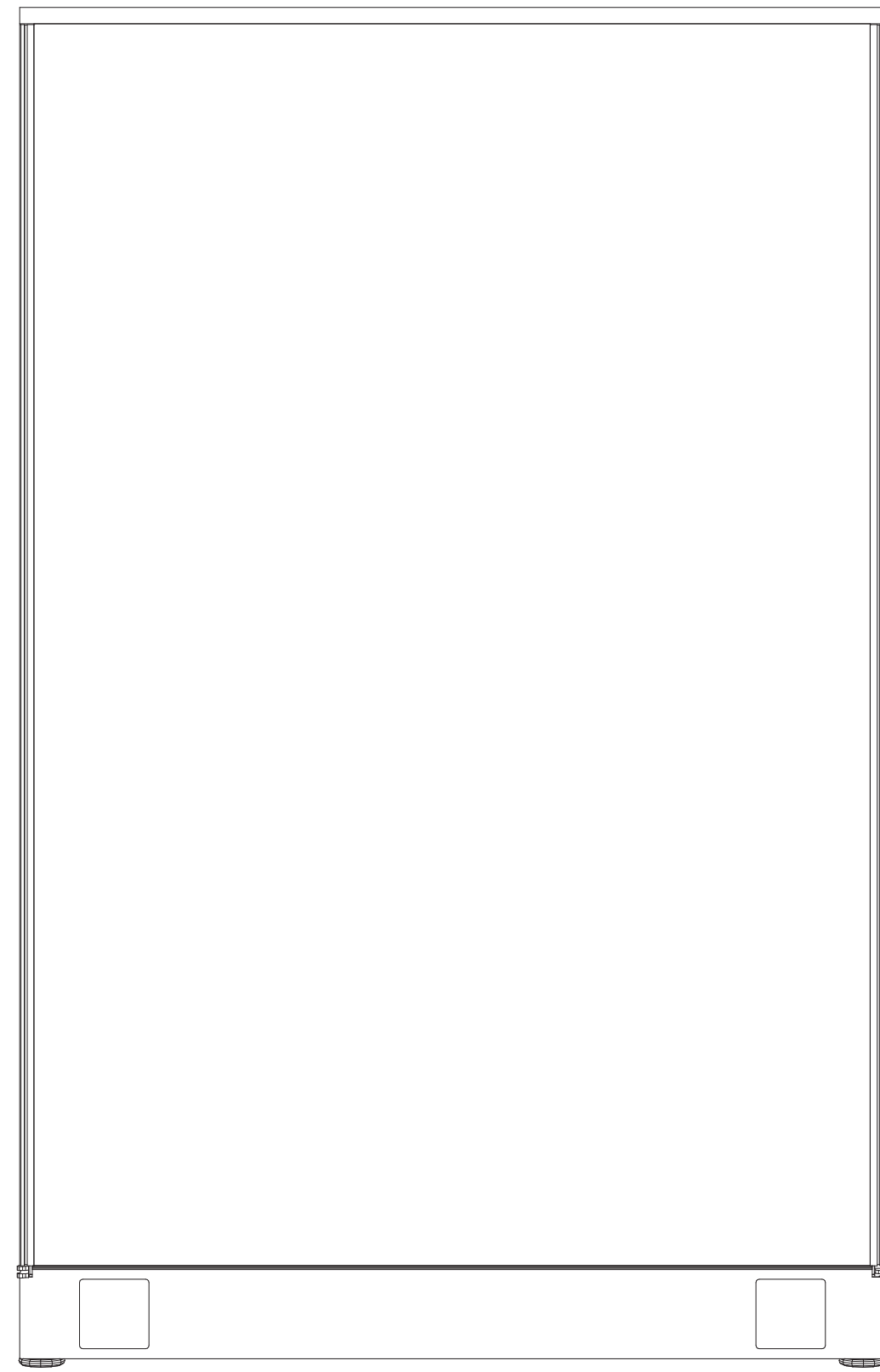
HEIGHT	WIDTH	DEPTH	PART NUMBER	LIST PRICE
50"	12"	2"	ECSQ-EFP-150	\$497
50"	18"	2"	ECSQ-EFP-1850	\$497
50"	24"	2"	ECSQ-EFP-250	\$441
50"	30"	2"	ECSQ-EFP-3050	\$552
50"	36"	2"	ECSQ-EFP-350	\$745
50"	42"	2"	ECSQ-EFP-4250	\$801
50"	48"	2"	ECSQ-EFP-450	\$745
50"	60"	2"	ECSQ-EFP-550	\$745

NOTES:

- DUPLEXES SPECIFIED SEPARATELY



56" POWERED PANEL / FULL BASEPLATE



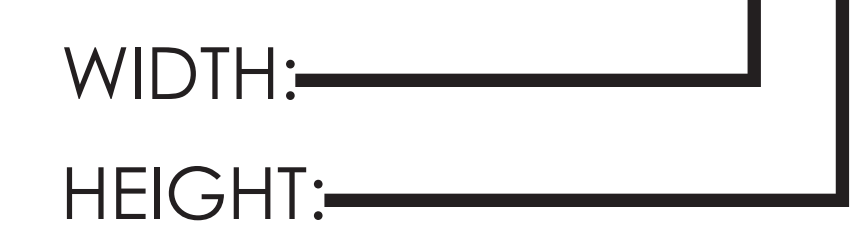
FEATURES:

- CONNECTING HINGES INCLUDED

TO ORDER, SPECIFY:

- PART NUMBER / SIZE
- PAINT COLOR
- FABRIC

PART: ECSQ-EFP-4256



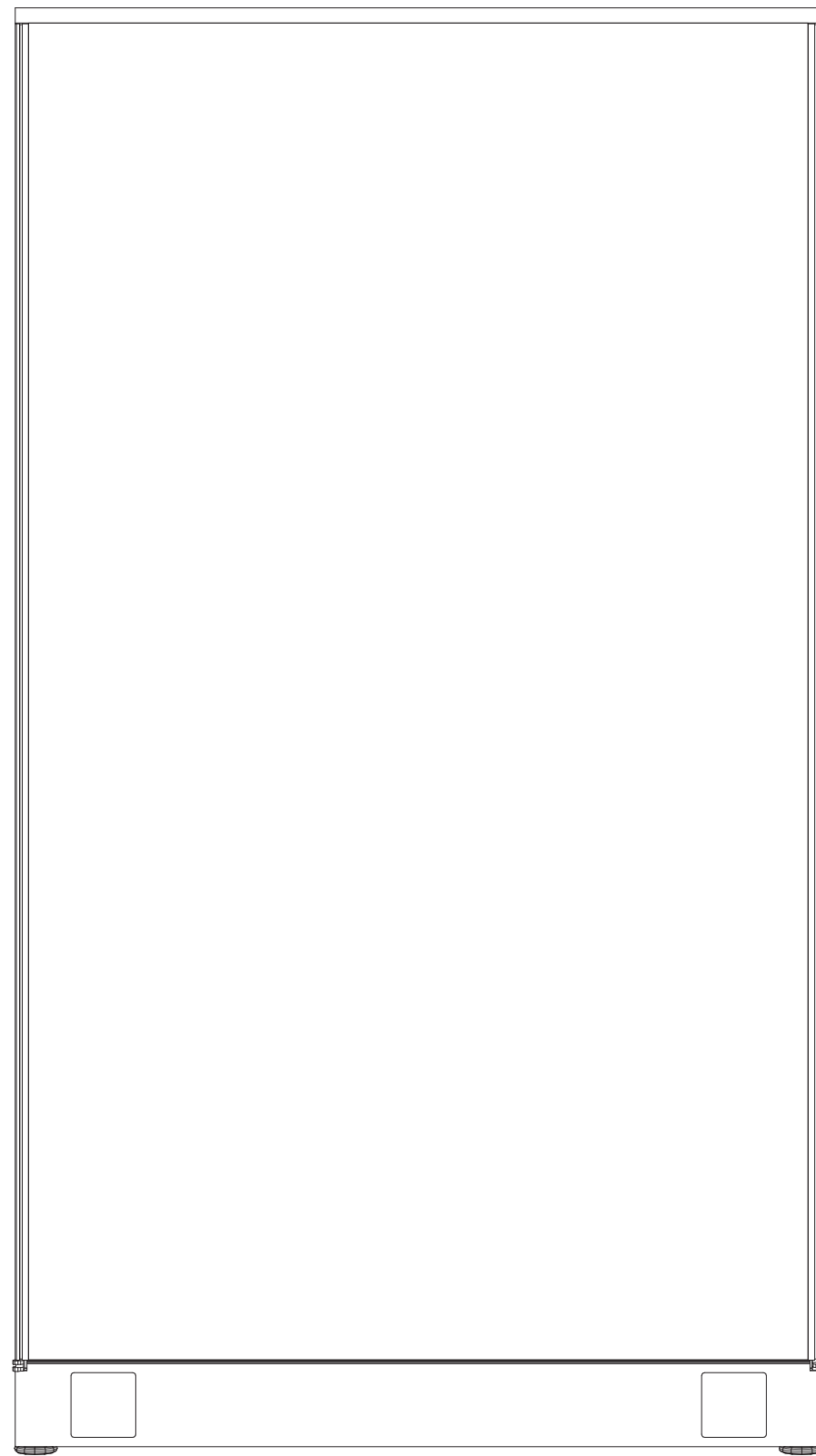
HEIGHT	WIDTH	DEPTH	PART NUMBER	LIST PRICE
56"	12"	2"	ECSQ-EFP-156	\$552
56"	18"	2"	ECSQ-EFP-1856	\$552
56"	24"	2"	ECSQ-EFP-256	\$497
56"	30"	2"	ECSQ-EFP-3056	\$607
56"	36"	2"	ECSQ-EFP-356	\$801
56"	42"	2"	ECSQ-EFP-4256	\$828
56"	48"	2"	ECSQ-EFP-456	\$801
56"	60"	2"	ECSQ-EFP-556	\$801

NOTES:

- DUPLEXES SPECIFIED SEPARATELY



64" POWERED PANEL / FULL BASEPLATE



FEATURES:

- CONNECTING HINGES INCLUDED

TO ORDER, SPECIFY:

- PART NUMBER / SIZE
- PAINT COLOR
- FABRIC

PART: ECSQ-EFP-4264

WIDTH: _____
HEIGHT: _____

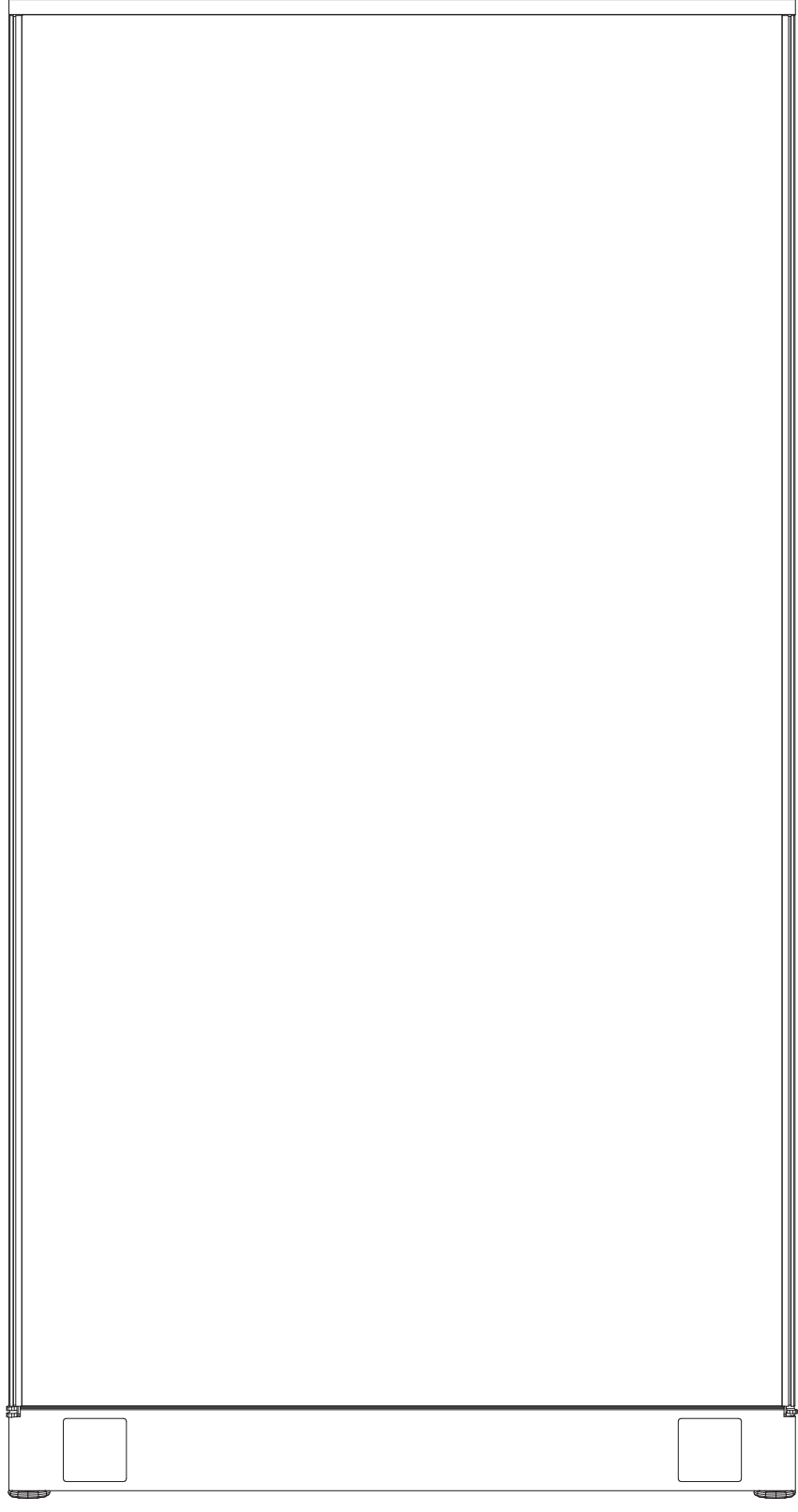
HEIGHT	WIDTH	DEPTH	PART NUMBER	LIST PRICE
64"	12"	2"	ECSQ-EFP-164	\$470
64"	18"	2"	ECSQ-EFP-1864	\$470
64"	24"	2"	ECSQ-EFP-264	\$414
64"	30"	2"	ECSQ-EFP-3064	\$524
64"	36"	2"	ECSQ-EFP-364	\$718
64"	42"	2"	ECSQ-EFP-4264	\$801
64"	48"	2"	ECSQ-EFP-464	\$718
64"	60"	2"	ECSQ-EFP-564	\$718

NOTES:

- DUPLEXES SPECIFIED SEPARATELY



68" POWERED PANEL / FULL BASEPLATE



FEATURES:

- CONNECTING HINGES INCLUDED

TO ORDER, SPECIFY:

- PART NUMBER / SIZE
- PAINT COLOR
- FABRIC

PART: ECSQ-EFP-4268



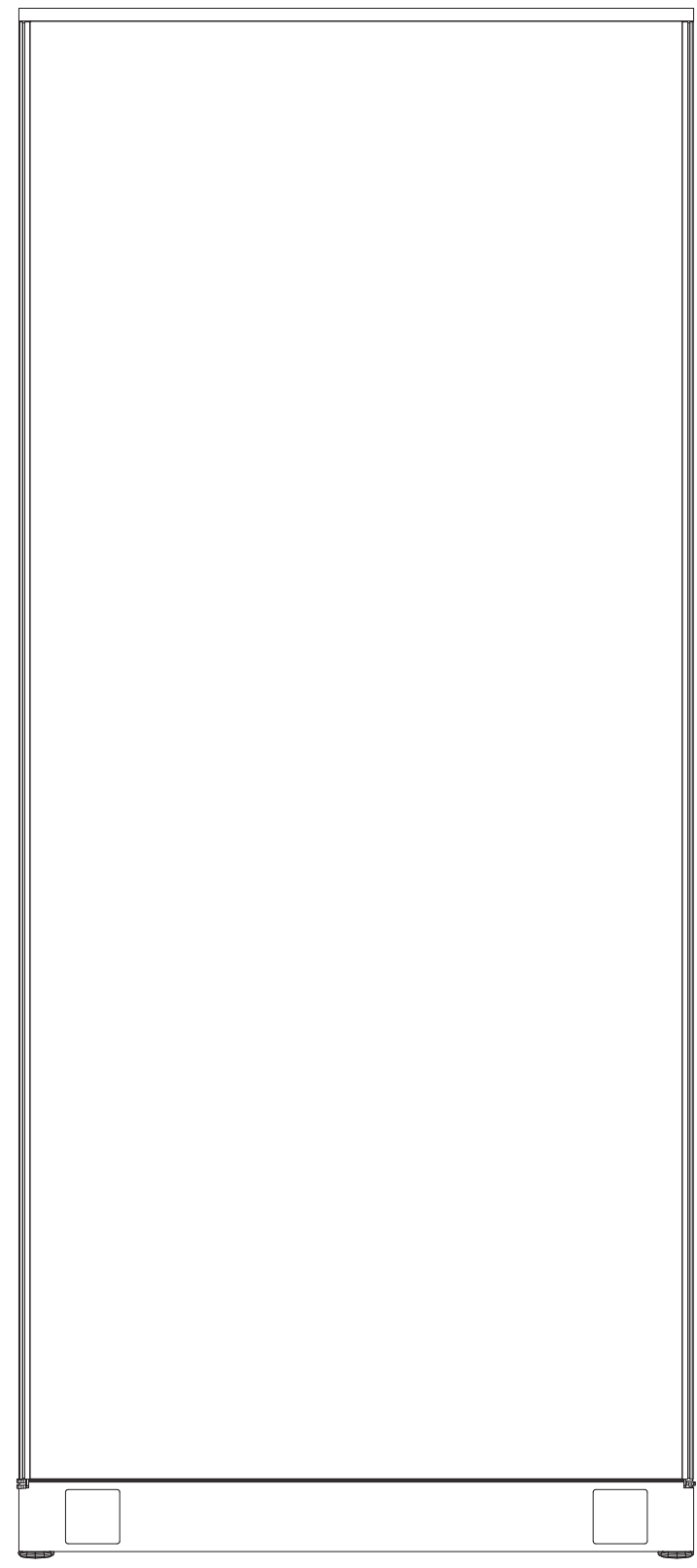
HEIGHT	WIDTH	DEPTH	PART NUMBER	LIST PRICE
68"	12"	2"	ECSQ-EFP-168	\$470
68"	18"	2"	ECSQ-EFP-1868	\$470
68"	24"	2"	ECSQ-EFP-268	\$414
68"	30"	2"	ECSQ-EFP-3068	\$607
68"	36"	2"	ECSQ-EFP-368	\$801
68"	42"	2"	ECSQ-EFP-4268	\$855
68"	48"	2"	ECSQ-EFP-468	\$801
68"	60"	2"	ECSQ-EFP-568	\$801

NOTES:

- DUPLEXES SPECIFIED SEPARATELY



82" POWERED PANEL / FULL BASEPLATE



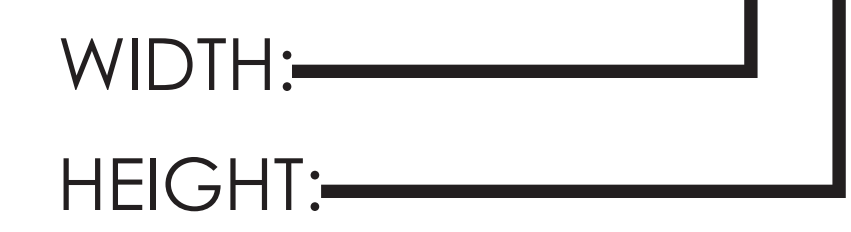
FEATURES:

- CONNECTING HINGES INCLUDED

TO ORDER, SPECIFY:

- PART NUMBER / SIZE
- PAINT COLOR
- FABRIC

PART: ECSQ-EFP-4282

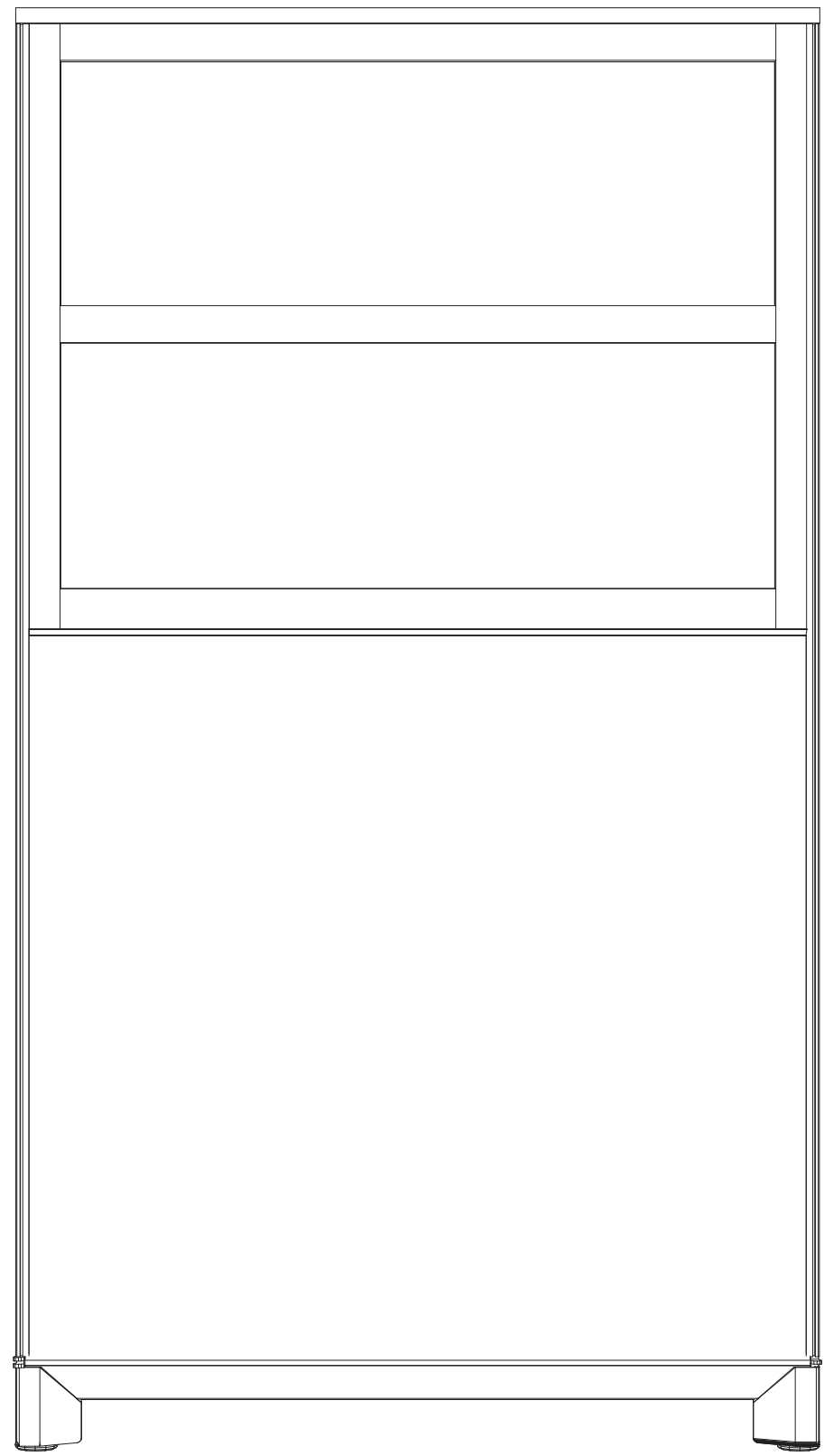


HEIGHT	WIDTH	DEPTH	PART NUMBER	LIST PRICE
82"	12"	2"	ECSQ-EFP-182	\$662
82"	18"	2"	ECSQ-EFP-1882	\$772
82"	24"	2"	ECSQ-EFP-282	\$745
82"	30"	2"	ECSQ-EFP-3082	\$855
82"	36"	2"	ECSQ-EFP-382	\$993
82"	42"	2"	ECSQ-EFP-4282	\$1048
82"	48"	2"	ECSQ-EFP-482	\$1076
82"	60"	2"	ECSQ-EFP-582	\$1213

NOTES:

- DUPLEXES SPECIFIED SEPARATELY

64" NON-POWERED GLAO PANEL / OPEN BASEPLATE



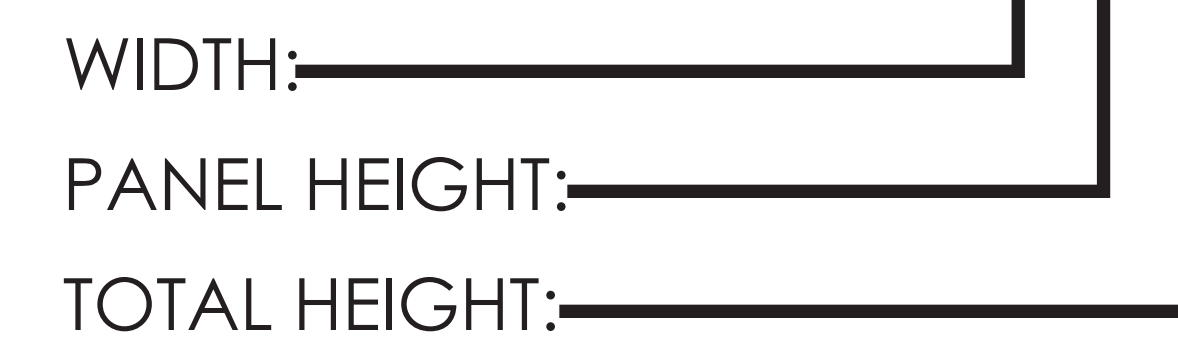
FEATURES:

- CONNECTING HINGES INCLUDED
- AVAILABLE WITH CLEAR OR FROSTED PLEXI

TO ORDER, SPECIFY:

- PART NUMBER / SIZE
- PAINT COLOR
- FABRIC
- PLEXI COLOR

PART: ECSQ-EFN-GLAO-423764



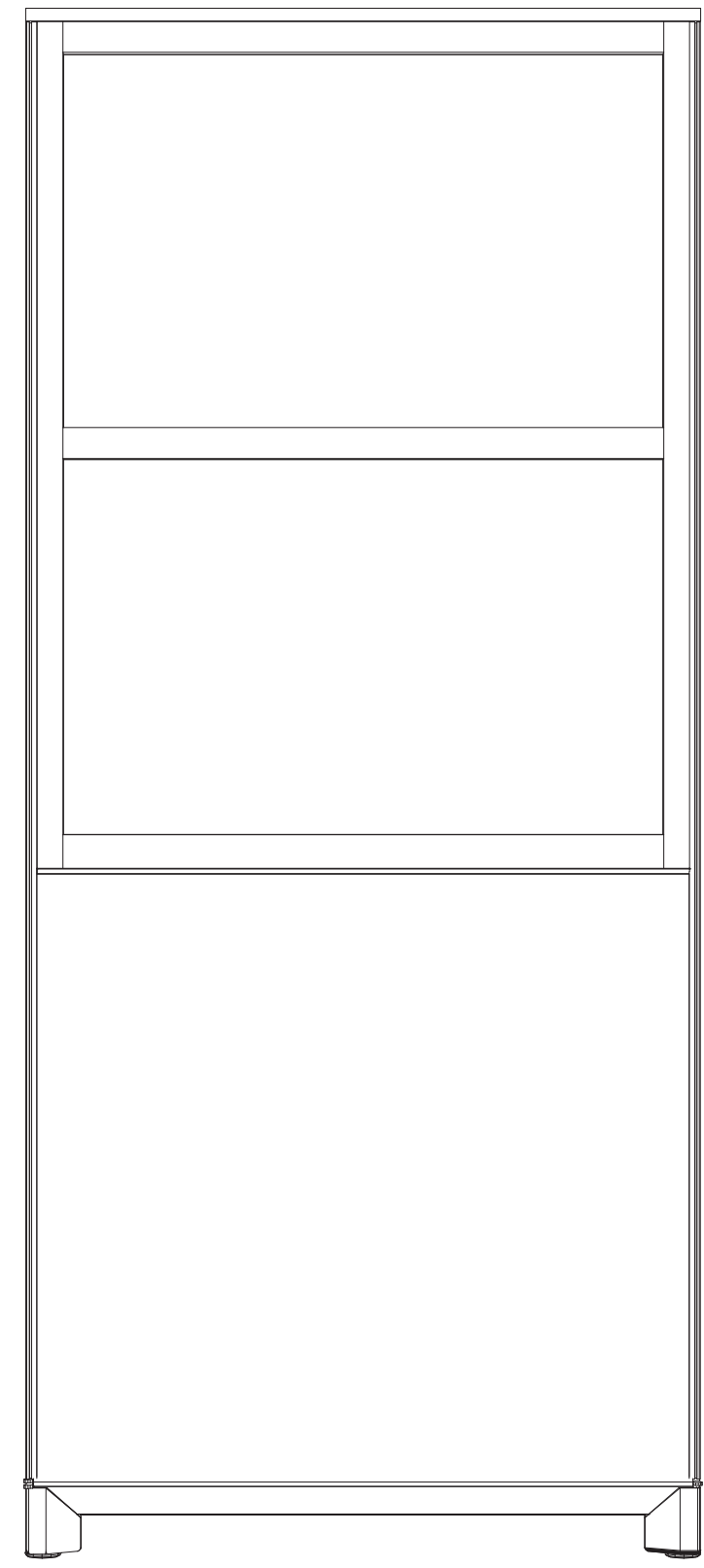
TOTAL HEIGHT	PANEL HEIGHT	GLAO HEIGHT	WIDTH	DEPTH	PART NUMBER	LIST PRICE
64"	37"	27"	12"	2"	ECSQ-EFN-GLAO-13764	\$1698
64"	37"	27"	18"	2"	ECSQ-EFN-GLAO-183764	\$1698
64"	37"	27"	24"	2"	ECSQ-EFN-GLAO-23764	\$1698
64"	37"	27"	30"	2"	ECSQ-EFN-GLAO-303764	\$1759
64"	37"	27"	36"	2"	ECSQ-EFN-GLAO-33764	\$1875
64"	37"	27"	42"	2"	ECSQ-EFN-GLAO-423764	\$2019
64"	37"	27"	48"	2"	ECSQ-EFN-GLAO-43764	\$2057
64"	37"	27"	60"	2"	ECSQ-EFN-GLAO-53764	\$2504

NOTES:

- FROSTED PLEXI AVAILABLE AT A 20% UPCHARGE



82" NON-POWERED GLAO PANEL / OPEN BASEPLATE



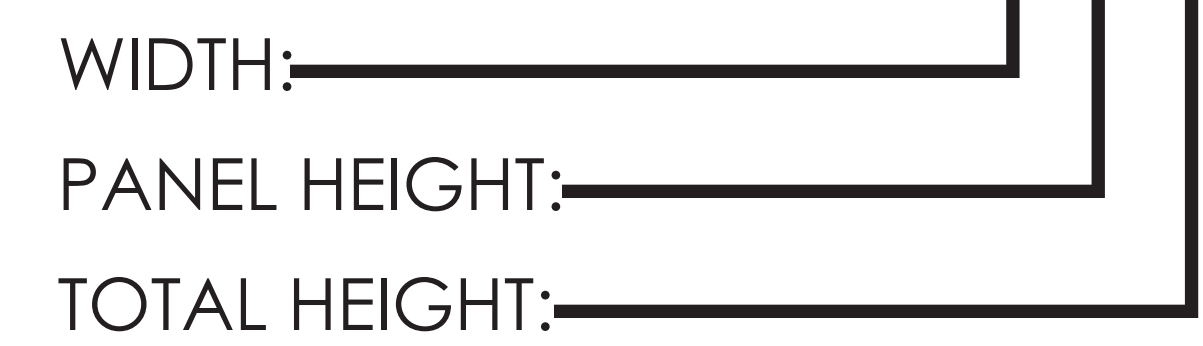
FEATURES:

- CONNECTING HINGES INCLUDED
- AVAILABLE WITH CLEAR OR FROSTED PLEXI

TO ORDER, SPECIFY:

- PART NUMBER / SIZE
- PAINT COLOR
- FABRIC
- PLEXI COLOR

PART: ECSQ-EFN-GLAO-423782

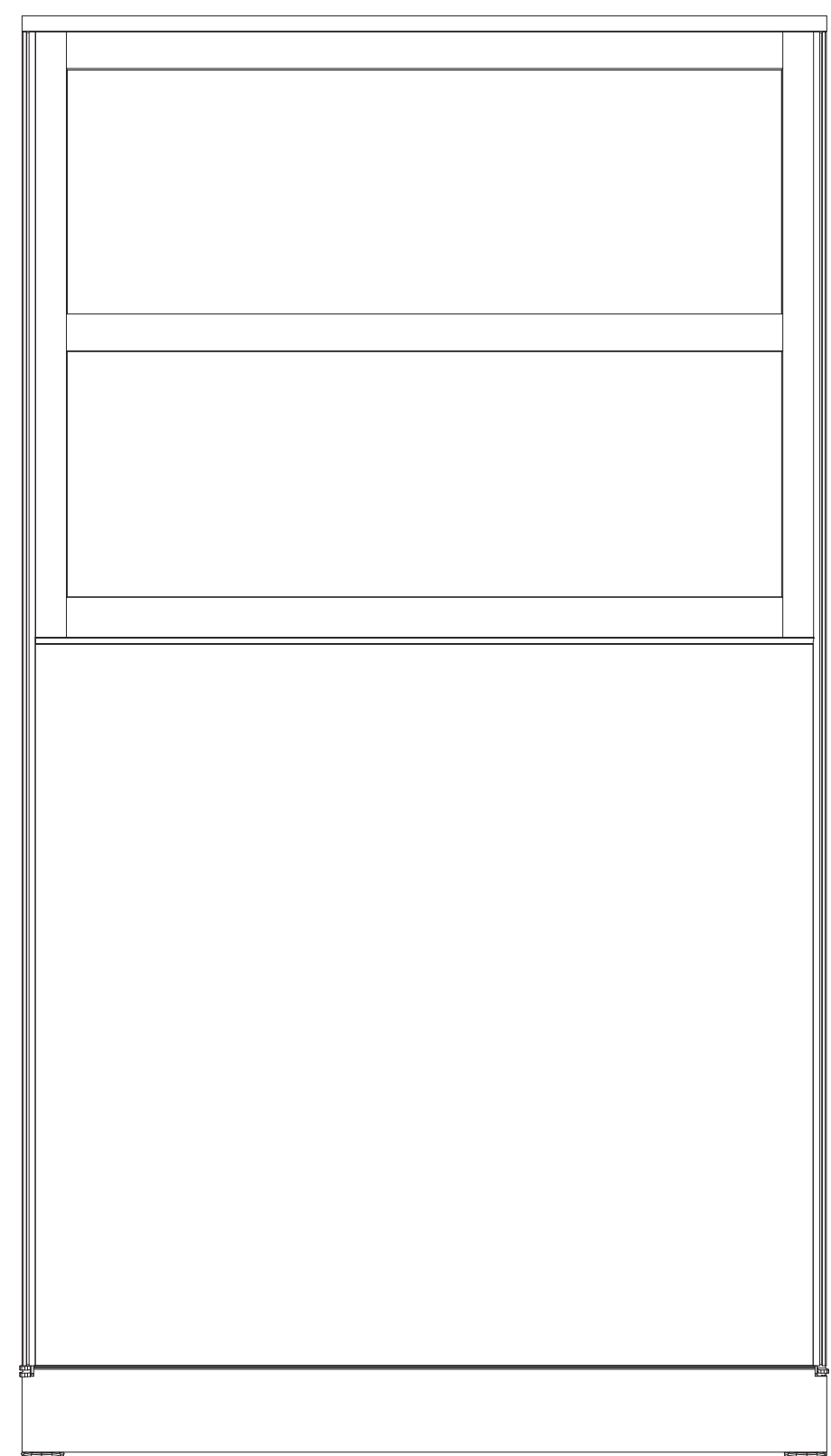


TOTAL HEIGHT	PANEL HEIGHT	GLAO HEIGHT	WIDTH	DEPTH	PART NUMBER	LIST PRICE
82"	37"	45"	12"	2"	ECSQ-EFN-GLAO-13782	\$1727
82"	37"	45"	18"	2"	ECSQ-EFN-GLAO-183782	\$1727
82"	37"	45"	24"	2"	ECSQ-EFN-GLAO-23782	\$1727
82"	37"	45"	30"	2"	ECSQ-EFN-GLAO-303782	\$1881
82"	37"	45"	36"	2"	ECSQ-EFN-GLAO-33782	\$1875
82"	37"	45"	42"	2"	ECSQ-EFN-GLAO-423782	\$2256
82"	37"	45"	48"	2"	ECSQ-EFN-GLAO-43782	\$2410
82"	37"	45"	60"	2"	ECSQ-EFN-GLAO-53782	\$2658

NOTES:

- FROSTED PLEXI AVAILABLE AT A 20% UPCHARGE

64" NON-POWERED GLAO PANEL / FULL BASEPLATE



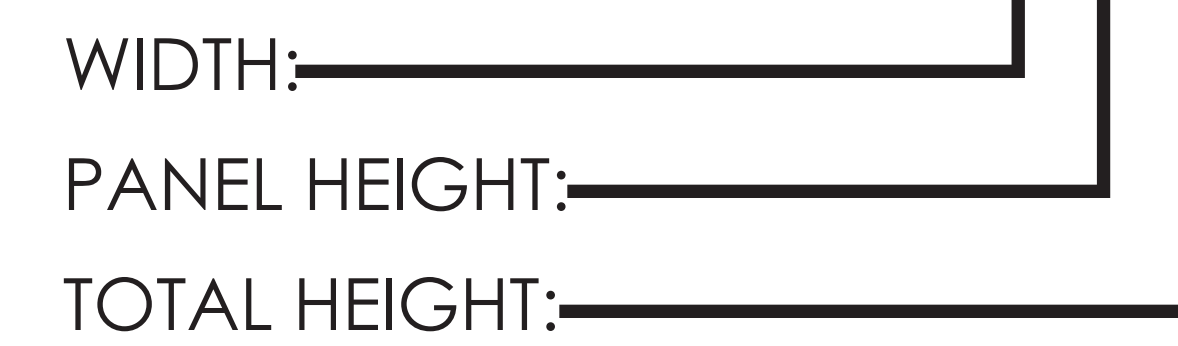
FEATURES:

- CONNECTING HINGES INCLUDED
- AVAILABLE WITH CLEAR OR FROSTED PLEXI

TO ORDER, SPECIFY:

- PART NUMBER / SIZE
- PAINT COLOR
- FABRIC
- PLEXI COLOR

PART: ECSQ-EFN-GLAO-423764



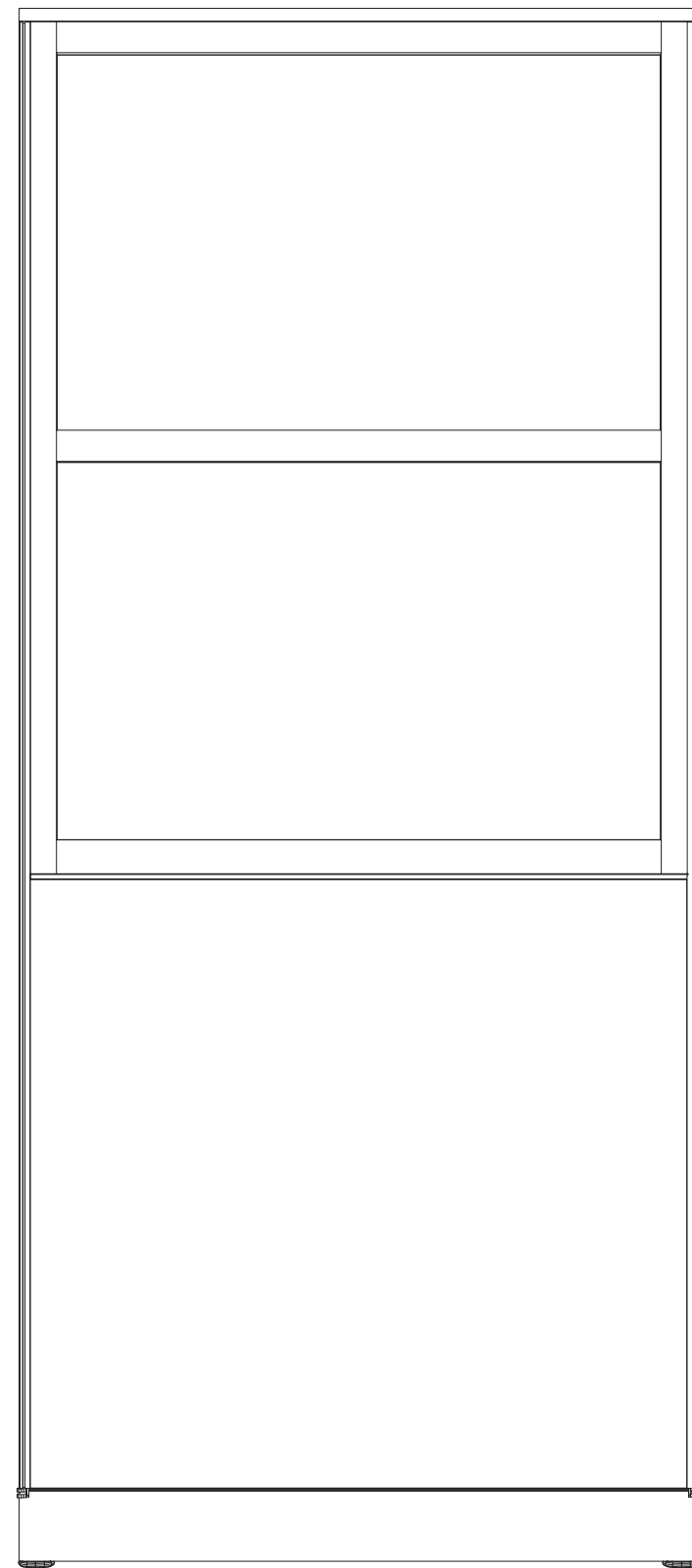
TOTAL HEIGHT	PANEL HEIGHT	GLAO HEIGHT	WIDTH	DEPTH	PART NUMBER	LIST PRICE
64"	37"	27"	12"	2"	ECSQ-EFN-GLAO-13764-OSB	\$1698
64"	37"	27"	18"	2"	ECSQ-EFN-GLAO-183764-OSB	\$1698
64"	37"	27"	24"	2"	ECSQ-EFN-GLAO-23764-OSB	\$1698
64"	37"	27"	30"	2"	ECSQ-EFN-GLAO-303764-OSB	\$1759
64"	37"	27"	36"	2"	ECSQ-EFN-GLAO-33764-OSB	\$1875
64"	37"	27"	42"	2"	ECSQ-EFN-GLAO-423764-OSB	\$2019
64"	37"	27"	48"	2"	ECSQ-EFN-GLAO-43764-OSB	\$2057
64"	37"	27"	60"	2"	ECSQ-EFN-GLAO-53764-OSB	\$2504

NOTES:

- FROSTED PLEXI AVAILABLE AT A 20% UPCHARGE



82" NON-POWERED GLAO PANEL / FULL BASEPLATE



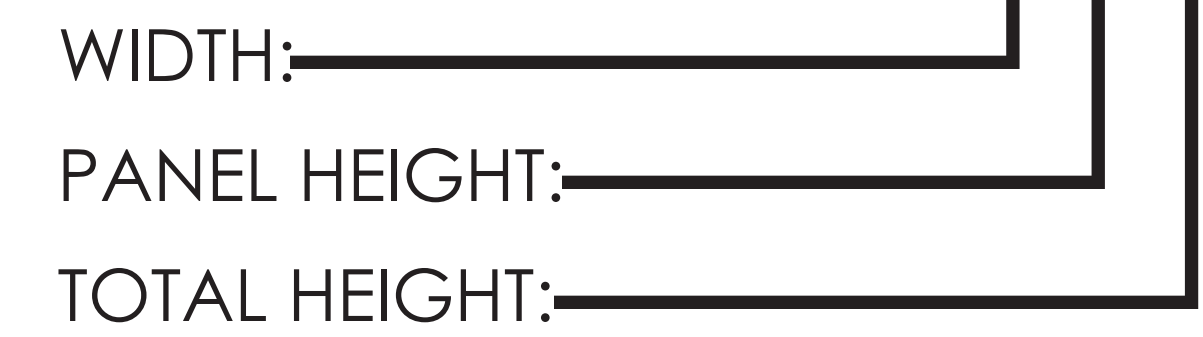
FEATURES:

- CONNECTING HINGES INCLUDED
- AVAILABLE WITH CLEAR OR FROSTED PLEXI

TO ORDER, SPECIFY:

- PART NUMBER / SIZE
- PAINT COLOR
- FABRIC
- PLEXI COLOR

PART: ECSQ-EFN-GLAO-423782



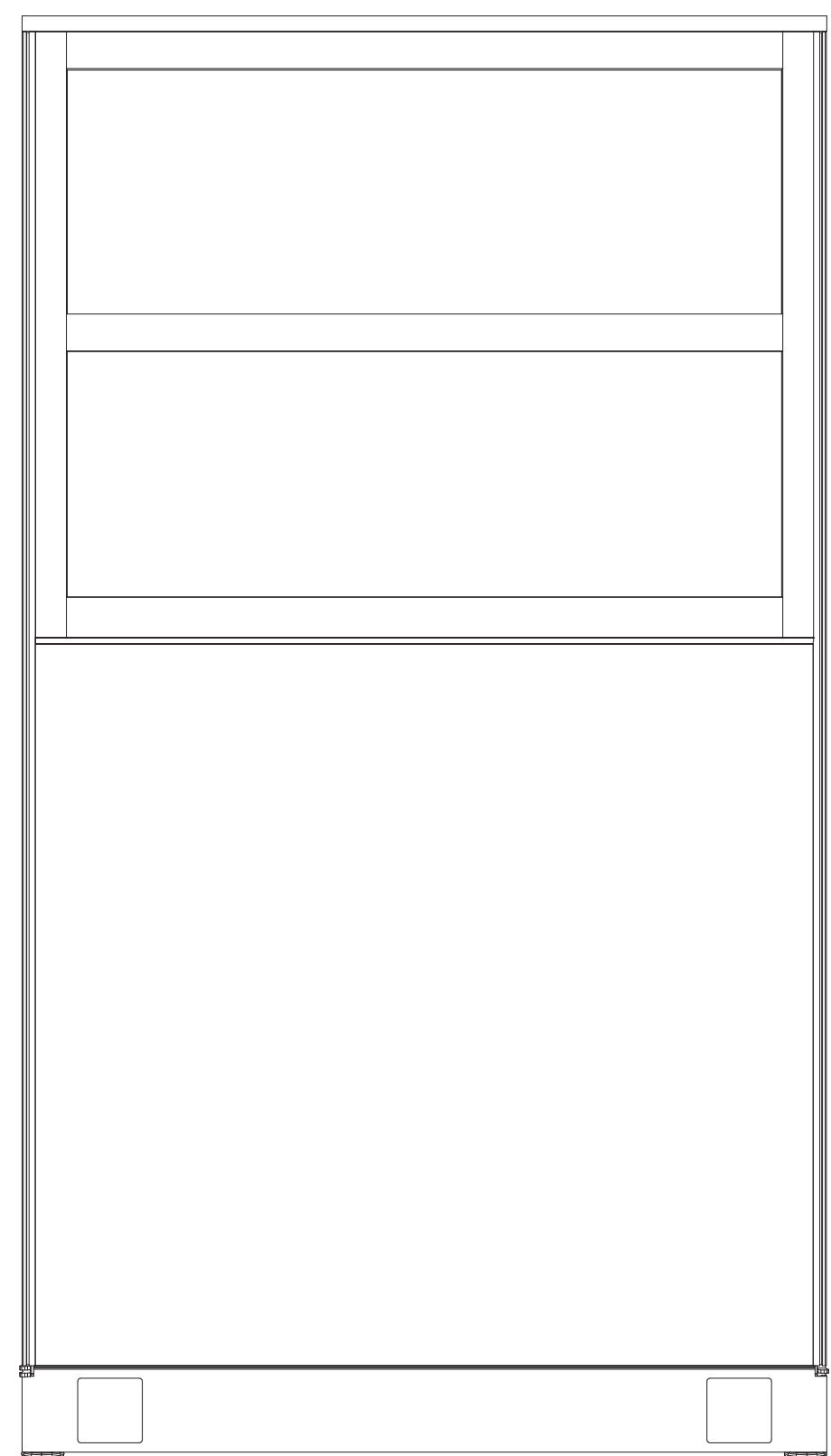
TOTAL HEIGHT	PANEL HEIGHT	GLAO HEIGHT	WIDTH	DEPTH	PART NUMBER	LIST PRICE
82"	37"	45"	12"	2"	ECSQ-EFN-GLAO-13782-OSB	\$1727
82"	37"	45"	18"	2"	ECSQ-EFN-GLAO-183782-OSB	\$1727
82"	37"	45"	24"	2"	ECSQ-EFN-GLAO-23782-OSB	\$1727
82"	37"	45"	30"	2"	ECSQ-EFN-GLAO-303782-OSB	\$1881
82"	37"	45"	36"	2"	ECSQ-EFN-GLAO-33782-OSB	\$1875
82"	37"	45"	42"	2"	ECSQ-EFN-GLAO-423782-OSB	\$2256
82"	37"	45"	48"	2"	ECSQ-EFN-GLAO-43782-OSB	\$2410
82"	37"	45"	60"	2"	ECSQ-EFN-GLAO-53782-OSB	\$2658

NOTES:

- FROSTED PLEXI AVAILABLE AT A 20% UPCHARGE



64" POWERED GLAO PANEL / FULL BASEPLATE



FEATURES:

- CONNECTING HINGES INCLUDED
- AVAILABLE WITH CLEAR OR FROSTED PLEXI

TO ORDER, SPECIFY:

- PART NUMBER / SIZE
- PAINT COLOR
- FABRIC
- PLEXI COLOR

PART: ECSQ-EFP-GLAO-423764



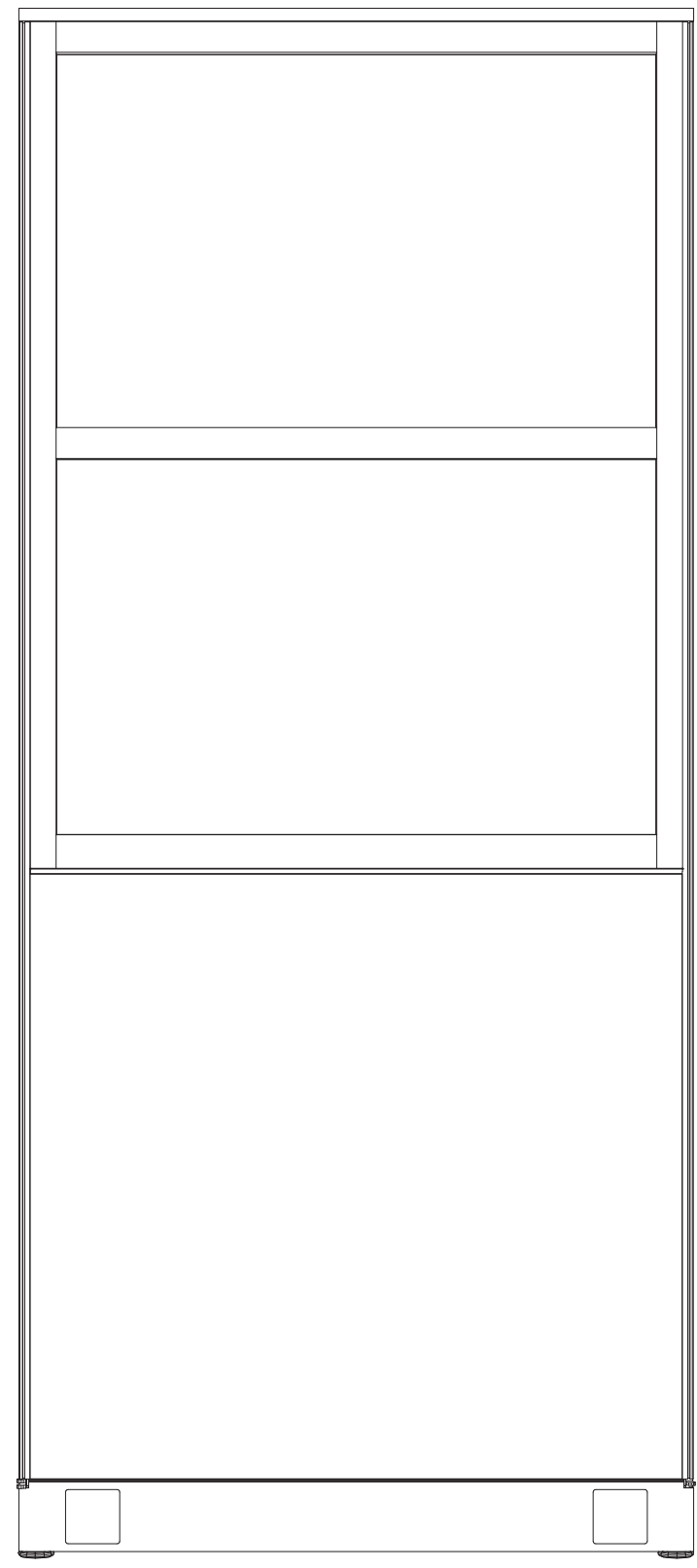
TOTAL HEIGHT	PANEL HEIGHT	GLAO HEIGHT	WIDTH	DEPTH	PART NUMBER	LIST PRICE
64"	37"	27"	12"	2"	ECSQ-EFP-GLAO-13764	\$1787
64"	37"	27"	18"	2"	ECSQ-EFP-GLAO-183764	\$1787
64"	37"	27"	24"	2"	ECSQ-EFP-GLAO-23764	\$1787
64"	37"	27"	30"	2"	ECSQ-EFP-GLAO-303764	\$1847
64"	37"	27"	36"	2"	ECSQ-EFP-GLAO-33764	\$2024
64"	37"	27"	42"	2"	ECSQ-EFP-GLAO-423764	\$2173
64"	37"	27"	48"	2"	ECSQ-EFP-GLAO-43764	\$2256
64"	37"	27"	60"	2"	ECSQ-EFP-GLAO-53764	\$2646

NOTES:

- DUPLEXES SPECIFIED SEPARATELY
- FROSTED PLEXI AVAILABLE AT A 20% UPCHARGE



82" POWERED GLAO PANEL / FULL BASEPLATE



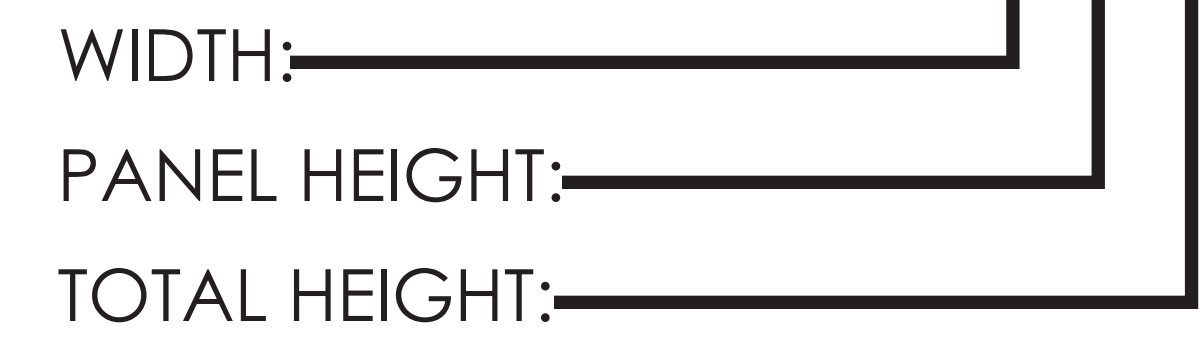
FEATURES:

- CONNECTING HINGES INCLUDED
- AVAILABLE WITH CLEAR OR FROSTED PLEXI

TO ORDER, SPECIFY:

- PART NUMBER / SIZE
- PAINT COLOR
- FABRIC
- PLEXI COLOR

PART: ECSQ-EFP-GLAO-423782



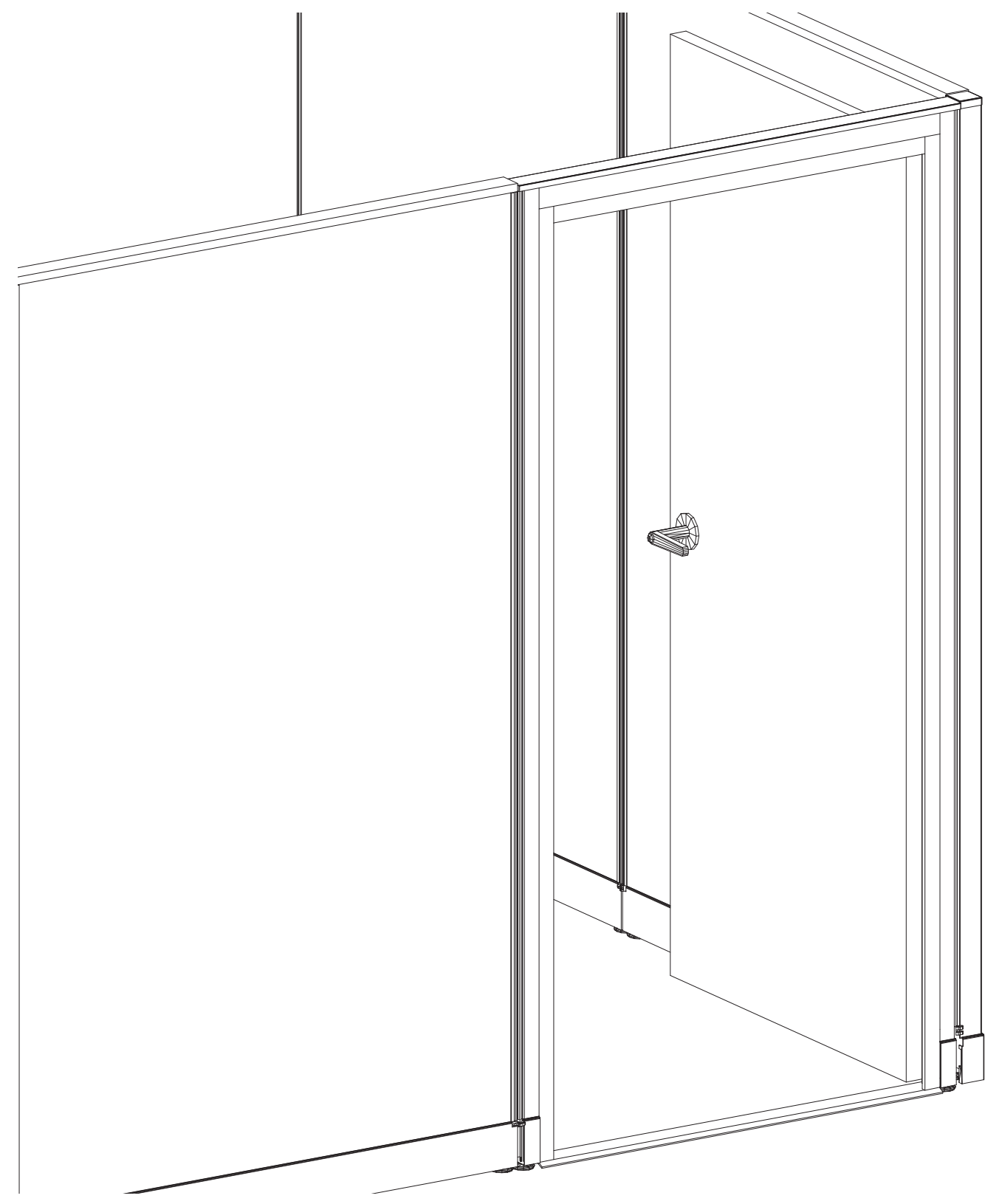
TOTAL HEIGHT	PANEL HEIGHT	GLAO HEIGHT	WIDTH	DEPTH	PART NUMBER	LIST PRICE
82"	37"	45"	12"	2"	ECSQ-EFP-GLAO-13782	\$1941
82"	37"	45"	18"	2"	ECSQ-EFP-GLAO-183782	\$1941
82"	37"	45"	24"	2"	ECSQ-EFP-GLAO-23782	\$1941
82"	37"	45"	30"	2"	ECSQ-EFP-GLAO-303782	\$2112
82"	37"	45"	36"	2"	ECSQ-EFP-GLAO-33782	\$2272
82"	37"	45"	42"	2"	ECSQ-EFP-GLAO-423782	\$2504
82"	37"	45"	48"	2"	ECSQ-EFP-GLAO-43782	\$2675
82"	37"	45"	60"	2"	ECSQ-EFP-GLAO-53782	\$2999

NOTES:

- DUPLEXES SPECIFIED SEPARATELY
- FROSTED PLEXI AVAILABLE AT A 20% UPCHARGE



SWINGING DOORS



FEATURES:

- CONNECTING HINGES INCLUDED

TO ORDER, SPECIFY:

- PART NUMBER / SIZE
- PAINT COLOR
- DOOR LAMINATE

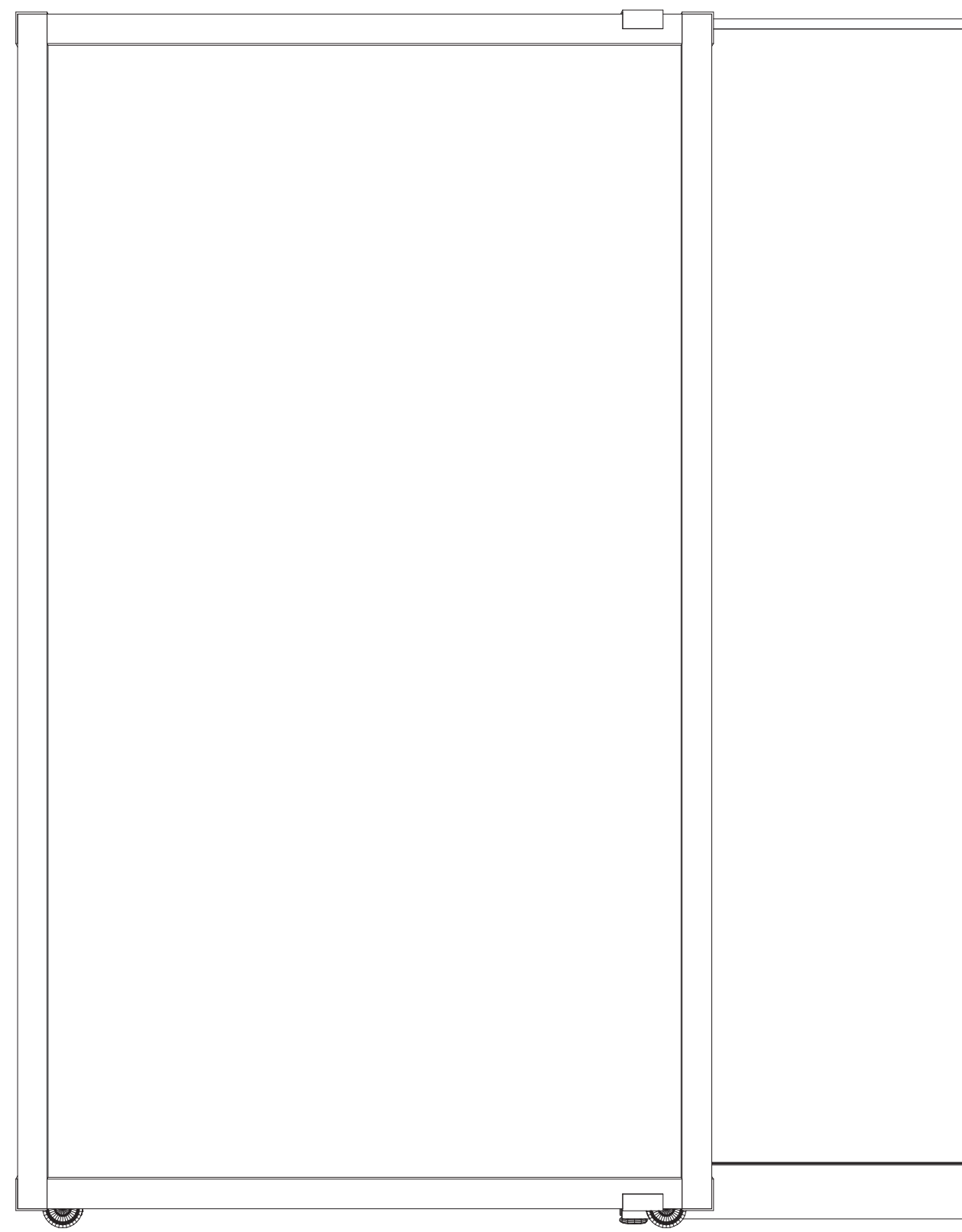
PART: ECSQ-EDS-4282-BKL



HEIGHT	FRAME WIDTH	DOOR WIDTH	DOOR SWING	PART NUMBER	LIST PRICE
82"	36"	32"	LEFT	ECSQ-EDS-382-BKL	\$1610
82"	36"	32"	RIGHT	ECSQ-EDS-382-BKR	\$1610
82"	42"	38"	LEFT	ECSQ-EDS-4282-BKL	\$1710
82"	42"	38"	RIGHT (SHOWN ABOVE)	ECSQ-EDS-4282-BKR	\$1710



SLIDING DOORS



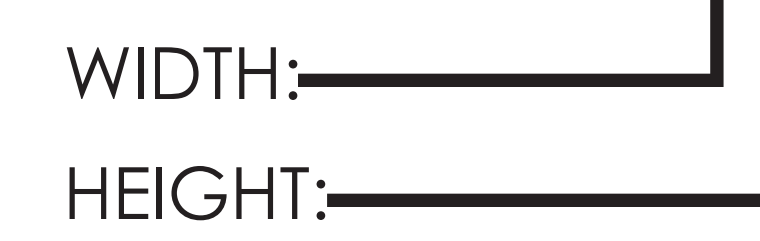
FEATURES:

- CONNECTING HARDWARE INCLUDED
- ASSEMBLED WITH FROSTED PLEXIGLAS

TO ORDER, SPECIFY:

- PART NUMBER / SIZE
- PAINT COLOR

PART: EC-GLAO-464-DOOR



HEIGHT	WIDTH	DEPTH	PART NUMBER	LIST PRICE
64"	48"	2"	EC-GLAO-464-DOOR	\$1654
68"	48"	2"	EC-GLAO-468-DOOR	\$1696
82"	48"	2"	EC-GLAO-482-DOOR	\$1927

NOTES:

- 48" DOOR FITS A 36" OPENING
- DOOR NEEDS 48" OF CLEAR SPACE TO OPEN



12" FRAMED PLEXIGLAS ADD-ON



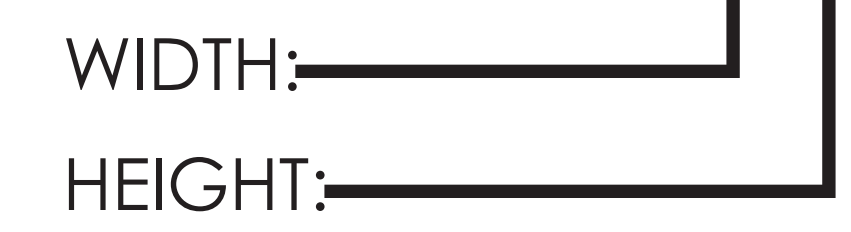
FEATURES:

- EASY INSTALLATION
- AVAILABLE WITH CLEAR OR FROSTED PLEXI

TO ORDER, SPECIFY:

- PART NUMBER / SIZE
- PAINT COLOR
- PLEXIGLAS COLOR

PART: EC-GLAO-3012



HEIGHT	WIDTH	PART NUMBER	LIST PRICE
12"	24"	EC-GLAO-212	\$326
12"	30"	EC-GLAO-3012	\$352
12"	36"	EC-GLAO-312	\$410
12"	42"	EC-GLAO-4212	\$473
12"	48"	EC-GLAO-412	\$536
12"	60"	EC-GLAO-512	\$552

NOTES:

- FROSTED PLEXI AVAILABLE AT A 20% UPCHARGE
- TOP CAPS SPECIFIED SEPARATELY



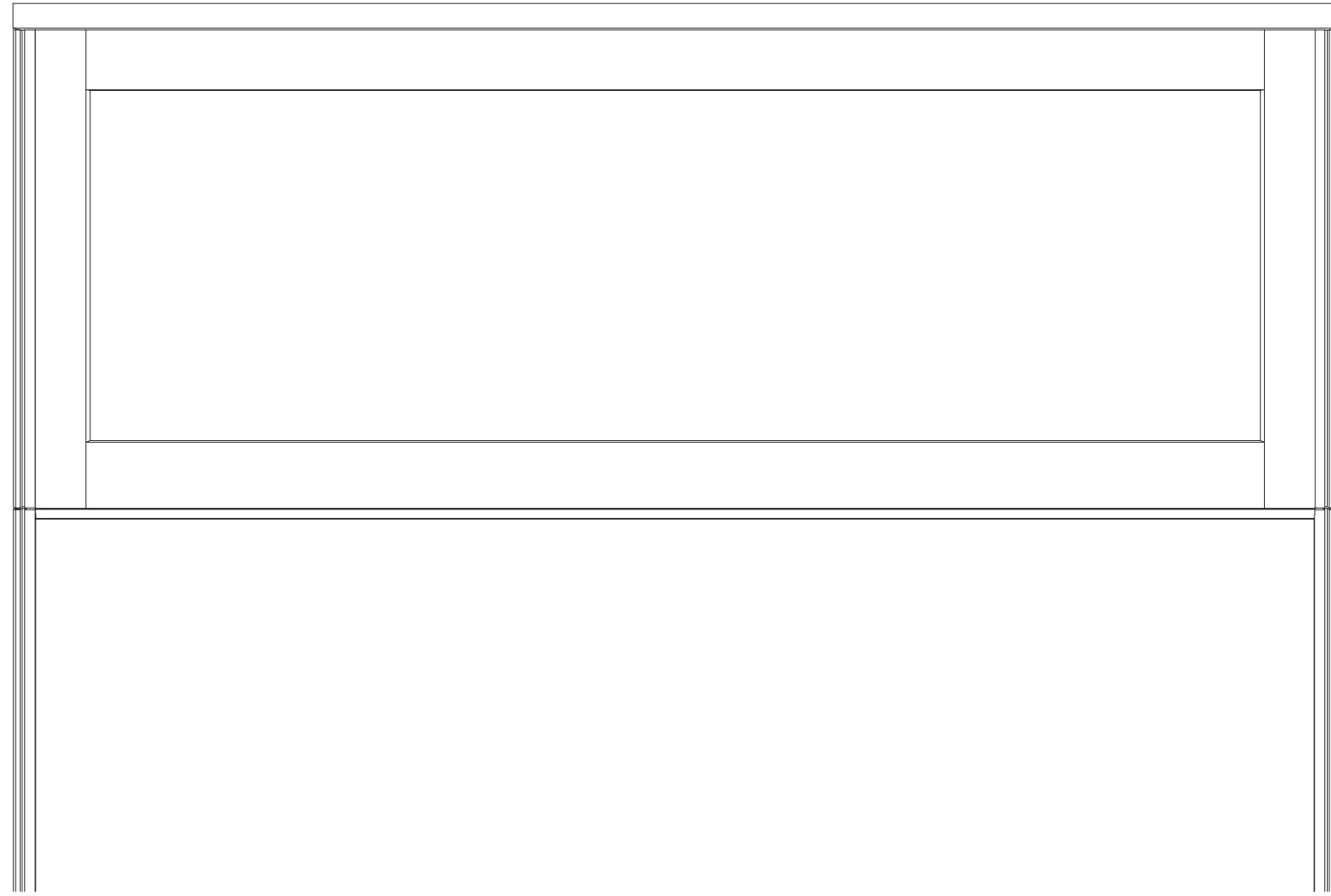
13" FRAMED PLEXIGLAS ADD-ON

FEATURES:

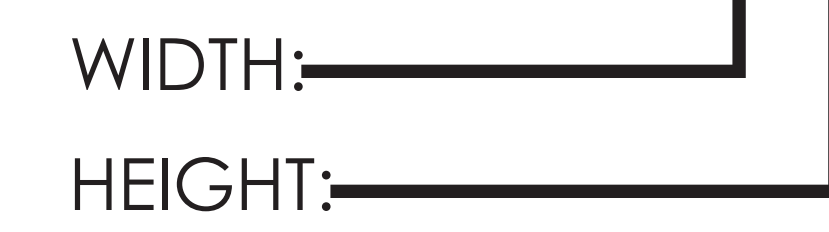
- EASY INSTALLATION
- AVAILABLE WITH CLEAR OR FROSTED PLEXI

TO ORDER, SPECIFY:

- PART NUMBER / SIZE
- PAINT COLOR
- PLEXIGLAS COLOR



PART: EC-GLAO-3013



HEIGHT	WIDTH	PART NUMBER	LIST PRICE
13"	24"	EC-GLAO-213	\$352
13"	30"	EC-GLAO-3013	\$384
13"	36"	EC-GLAO-313	\$441
13"	42"	EC-GLAO-4213	\$499
13"	48"	EC-GLAO-413	\$567
13"	60"	EC-GLAO-513	\$604

NOTES:

- FROSTED PLEXI AVAILABLE AT A 20% UPCHARGE
- TOP CAPS SPECIFIED SEPARATELY



14" FRAMED PLEXIGLAS ADD-ON



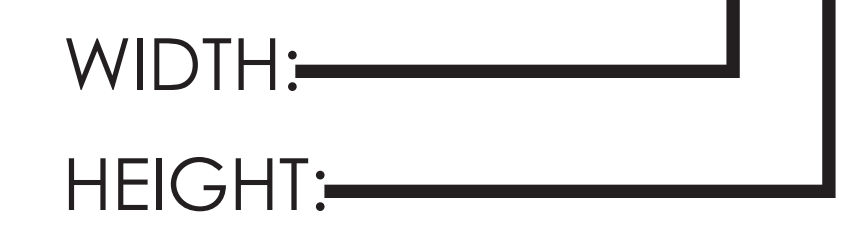
FEATURES:

- EASY INSTALLATION
- AVAILABLE WITH CLEAR OR FROSTED PLEXI

TO ORDER, SPECIFY:

- PART NUMBER / SIZE
- PAINT COLOR
- PLEXIGLAS COLOR

PART: EC-GLAO-3014



HEIGHT	WIDTH	PART NUMBER	LIST PRICE
14"	24"	EC-GLAO-214	\$352
14"	30"	EC-GLAO-3014	\$384
14"	36"	EC-GLAO-314	\$441
14"	42"	EC-GLAO-4214	\$499
14"	48"	EC-GLAO-414	\$567
14"	60"	EC-GLAO-514	\$604

NOTES:

- FROSTED PLEXI AVAILABLE AT A 20% UPCHARGE
- TOP CAPS SPECIFIED SEPARATELY



18" FRAMED PLEXIGLAS ADD-ON



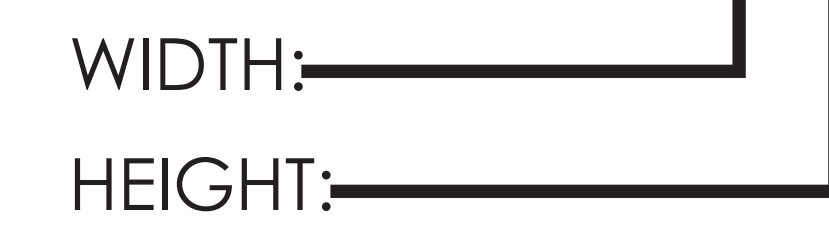
FEATURES:

- EASY INSTALLATION
- AVAILABLE WITH CLEAR OR FROSTED PLEXI

TO ORDER, SPECIFY:

- PART NUMBER / SIZE
- PAINT COLOR
- PLEXIGLAS COLOR

PART: EC-GLAO-3018



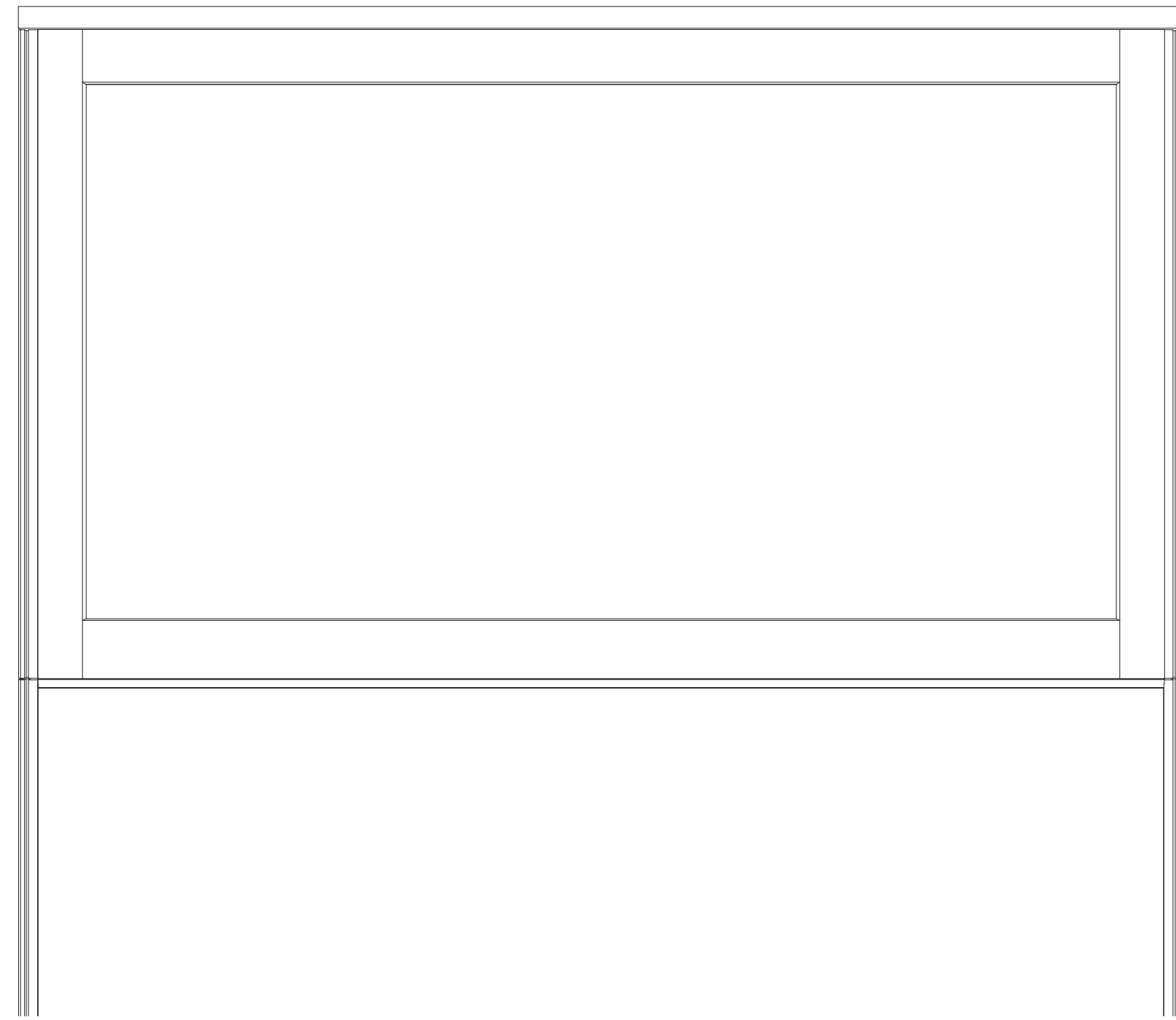
HEIGHT	WIDTH	PART NUMBER	LIST PRICE
18"	24"	EC-GLAO-218	\$373
18"	30"	EC-GLAO-3018	\$410
18"	36"	EC-GLAO-318	\$473
18"	42"	EC-GLAO-4218	\$531
18"	48"	EC-GLAO-418	\$604
18"	60"	EC-GLAO-518	\$615

NOTES:

- FROSTED PLEXI AVAILABLE AT A 20% UPCHARGE
- TOP CAPS SPECIFIED SEPARATELY



20" FRAMED PLEXIGLAS ADD-ON



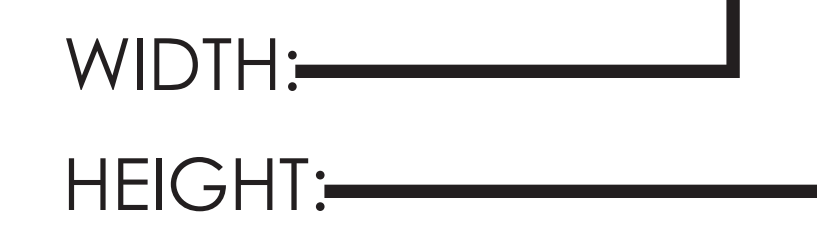
FEATURES:

- EASY INSTALLATION
- AVAILABLE WITH CLEAR OR FROSTED PLEXI

TO ORDER, SPECIFY:

- PART NUMBER / SIZE
- PAINT COLOR
- PLEXIGLAS COLOR

PART: EC-GLAO-3020



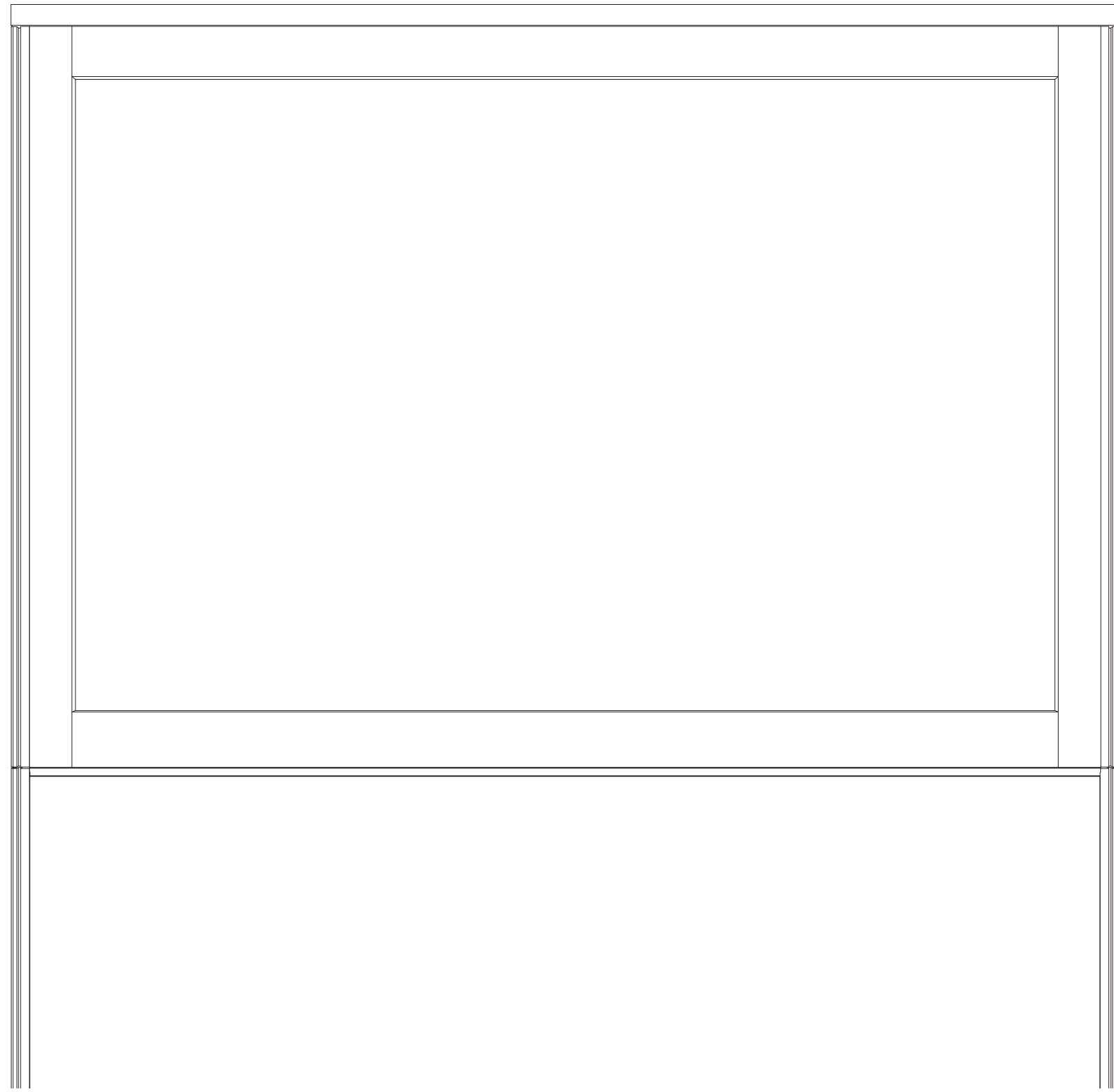
HEIGHT	WIDTH	PART NUMBER	LIST PRICE
20"	24"	EC-GLAO-220	\$394
20"	30"	EC-GLAO-3020	\$436
20"	36"	EC-GLAO-320	\$489
20"	42"	EC-GLAO-4220	\$552
20"	48"	EC-GLAO-420	\$625
20"	60"	EC-GLAO-520	\$646

NOTES:

- FROSTED PLEXI AVAILABLE AT A 20% UPCHARGE
- TOP CAPS SPECIFIED SEPARATELY



24" FRAMED PLEXIGLAS ADD-ON



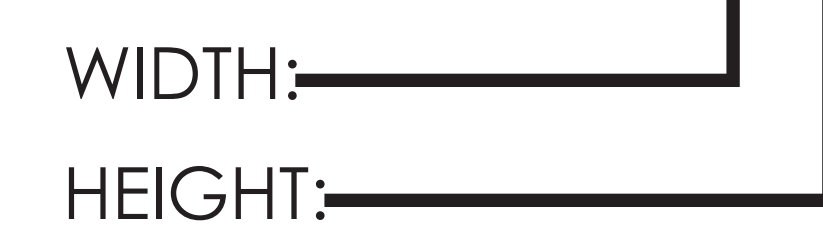
FEATURES:

- EASY INSTALLATION
- AVAILABLE WITH CLEAR OR FROSTED PLEXI

TO ORDER, SPECIFY:

- PART NUMBER / SIZE
- PAINT COLOR
- PLEXIGLAS COLOR

PART: EC-GLAO-3024



HEIGHT	WIDTH	PART NUMBER	LIST PRICE
24"	24"	EC-GLAO-224	\$405
24"	30"	EC-GLAO-3024	\$462
24"	36"	EC-GLAO-324	\$520
24"	42"	EC-GLAO-4224	\$588
24"	48"	EC-GLAO-424	\$662
24"	60"	EC-GLAO-524	\$699

NOTES:

- FROSTED PLEXI AVAILABLE AT A 20% UPCHARGE
- TOP CAPS SPECIFIED SEPARATELY



18" DOUBLE FRAMED PLEXIGLAS ADD-ON



FEATURES:

- EASY INSTALLATION
- AVAILABLE WITH CLEAR OR FROSTED PLEXI

TO ORDER, SPECIFY:

- PART NUMBER / SIZE
- PAINT COLOR
- PLEXIGLAS COLOR

PART: EC-GLAO-D-3018



HEIGHT	WIDTH	PART NUMBER	LIST PRICE
18"	24"	EC-GLAO-D-218	\$462
18"	30"	EC-GLAO-D-3018	\$510
18"	36"	EC-GLAO-D-318	\$594
18"	42"	EC-GLAO-D-4218	\$667
18"	48"	EC-GLAO-D-418	\$756
18"	60"	EC-GLAO-D-518	\$772

NOTES:

- FROSTED PLEXI AVAILABLE AT A 20% UPCHARGE
- TOP CAPS SPECIFIED SEPARATELY



20" DOUBLE FRAMED PLEXIGLAS ADD-ON



FEATURES:

- EASY INSTALLATION
- AVAILABLE WITH CLEAR OR FROSTED PLEXI

TO ORDER, SPECIFY:

- PART NUMBER / SIZE
- PAINT COLOR
- PLEXIGLAS COLOR

PART: EC-GLAO-D-3020



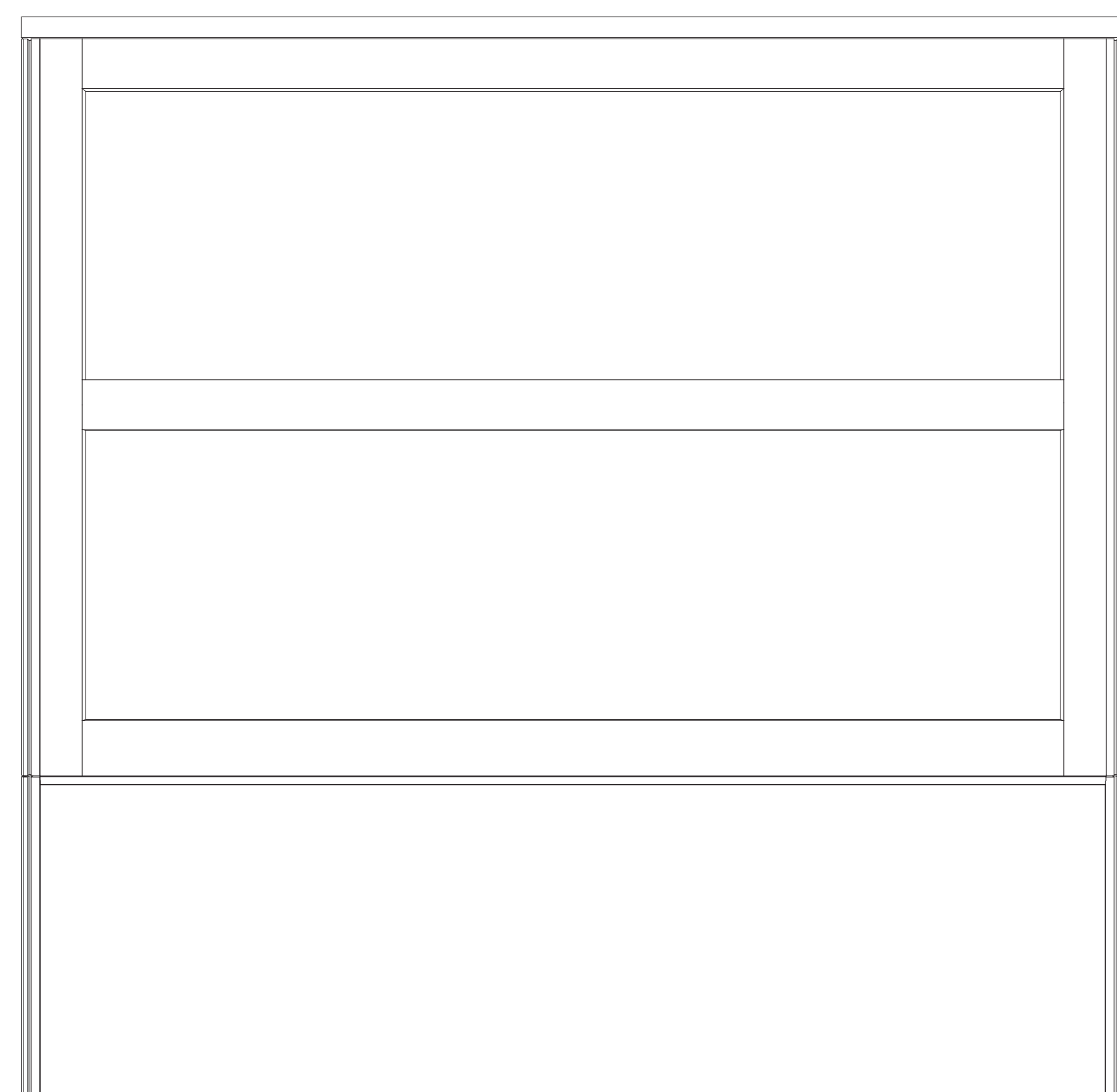
HEIGHT	WIDTH	PART NUMBER	LIST PRICE
20"	24"	EC-GLAO-D-220	\$489
20"	30"	EC-GLAO-D-3020	\$541
20"	36"	EC-GLAO-D-320	\$615
20"	42"	EC-GLAO-D-4220	\$688
20"	48"	EC-GLAO-D-420	\$783
20"	60"	EC-GLAO-D-520	\$809

NOTES:

- FROSTED PLEXI AVAILABLE AT A 20% UPCHARGE
- TOP CAPS SPECIFIED SEPARATELY



24" DOUBLE FRAMED PLEXIGLAS ADD-ON



FEATURES:

- EASY INSTALLATION
- AVAILABLE WITH CLEAR OR FROSTED PLEXI

TO ORDER, SPECIFY:

- PART NUMBER / SIZE
- PAINT COLOR
- PLEXIGLAS COLOR

PART: EC-GLAO-D-3024



HEIGHT	WIDTH	PART NUMBER	LIST PRICE
24"	24"	EC-GLAO-D-224	\$504
24"	30"	EC-GLAO-D-3024	\$583
24"	36"	EC-GLAO-D-324	\$651
24"	42"	EC-GLAO-D-4224	\$735
24"	48"	EC-GLAO-D-424	\$830
24"	60"	EC-GLAO-D-524	\$877

NOTES:

- FROSTED PLEXI AVAILABLE AT A 20% UPCHARGE
- TOP CAPS SPECIFIED SEPARATELY



12" FRAMED FABRIC/LAMINATE ADD-ON

FEATURES:

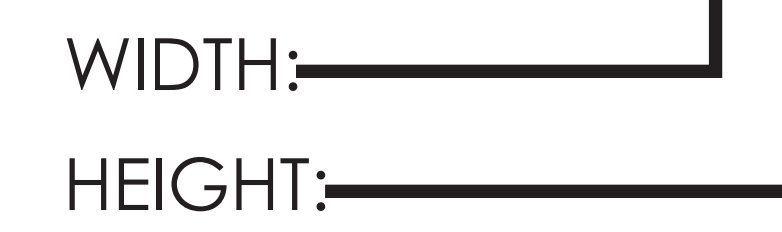
- EASY INSTALLATION
- AVAILABLE WITH FABRIC OR LAMINATE

TO ORDER, SPECIFY:

- PART NUMBER / SIZE
- PAINT COLOR
- FABRIC/LAMINATE COLOR



PART: EC-FLAO-3012



HEIGHT	WIDTH	PART NUMBER	LIST PRICE
12"	24"	EC-FLAO-212	\$625
12"	30"	EC-FLAO-3012	\$641
12"	36"	EC-FLAO-312	\$667
12"	42"	EC-FLAO-4212	\$699
12"	48"	EC-FLAO-412	\$730
12"	60"	EC-FLAO-512	\$762

NOTES:

- TOP CAPS SPECIFIED SEPARATELY



13" FRAMED FABRIC/LAMINATE ADD-ON



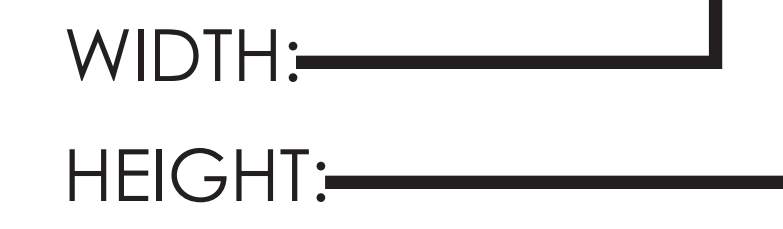
FEATURES:

- EASY INSTALLATION
- AVAILABLE WITH FABRIC OR LAMINATE

TO ORDER, SPECIFY:

- PART NUMBER / SIZE
- PAINT COLOR
- FABRIC/LAMINATE COLOR

PART: EC-FLAO-3013



HEIGHT	WIDTH	PART NUMBER	LIST PRICE
13"	24"	EC-FLAO-213	\$630
13"	30"	EC-FLAO-3013	\$657
13"	36"	EC-FLAO-313	\$683
13"	42"	EC-FLAO-4213	\$709
13"	48"	EC-FLAO-413	\$741
13"	60"	EC-FLAO-513	\$804

NOTES:

- TOP CAP NOT INCLUDED



14" FRAMED FABRIC/LAMINATE ADD-ON

FEATURES:

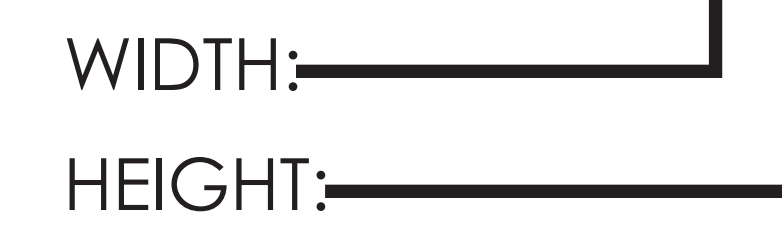
- EASY INSTALLATION
- AVAILABLE WITH FABRIC OR LAMINATE

TO ORDER, SPECIFY:

- PART NUMBER / SIZE
- PAINT COLOR
- FABRIC/LAMINATE COLOR



PART: EC-FLAO-3014



HEIGHT	WIDTH	PART NUMBER	LIST PRICE
14"	24"	EC-FLAO-214	\$630
14"	30"	EC-FLAO-3014	\$657
14"	36"	EC-FLAO-314	\$683
14"	42"	EC-FLAO-4214	\$709
14"	48"	EC-FLAO-414	\$741
14"	60"	EC-FLAO-514	\$804

NOTES:

- TOP CAP NOT INCLUDED



18" FRAMED FABRIC/LAMINATE ADD-ON



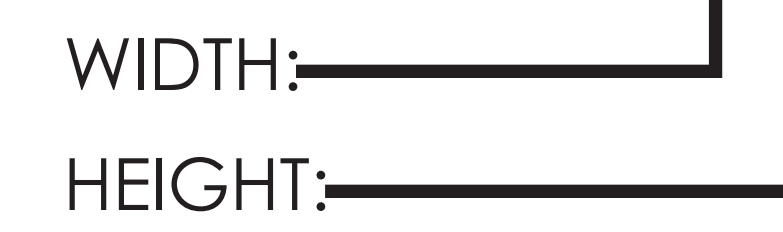
FEATURES:

- EASY INSTALLATION
- AVAILABLE WITH FABRIC OR LAMINATE

TO ORDER, SPECIFY:

- PART NUMBER / SIZE
- PAINT COLOR
- FABRIC/LAMINATE COLOR

PART: EC-FLAO-3018



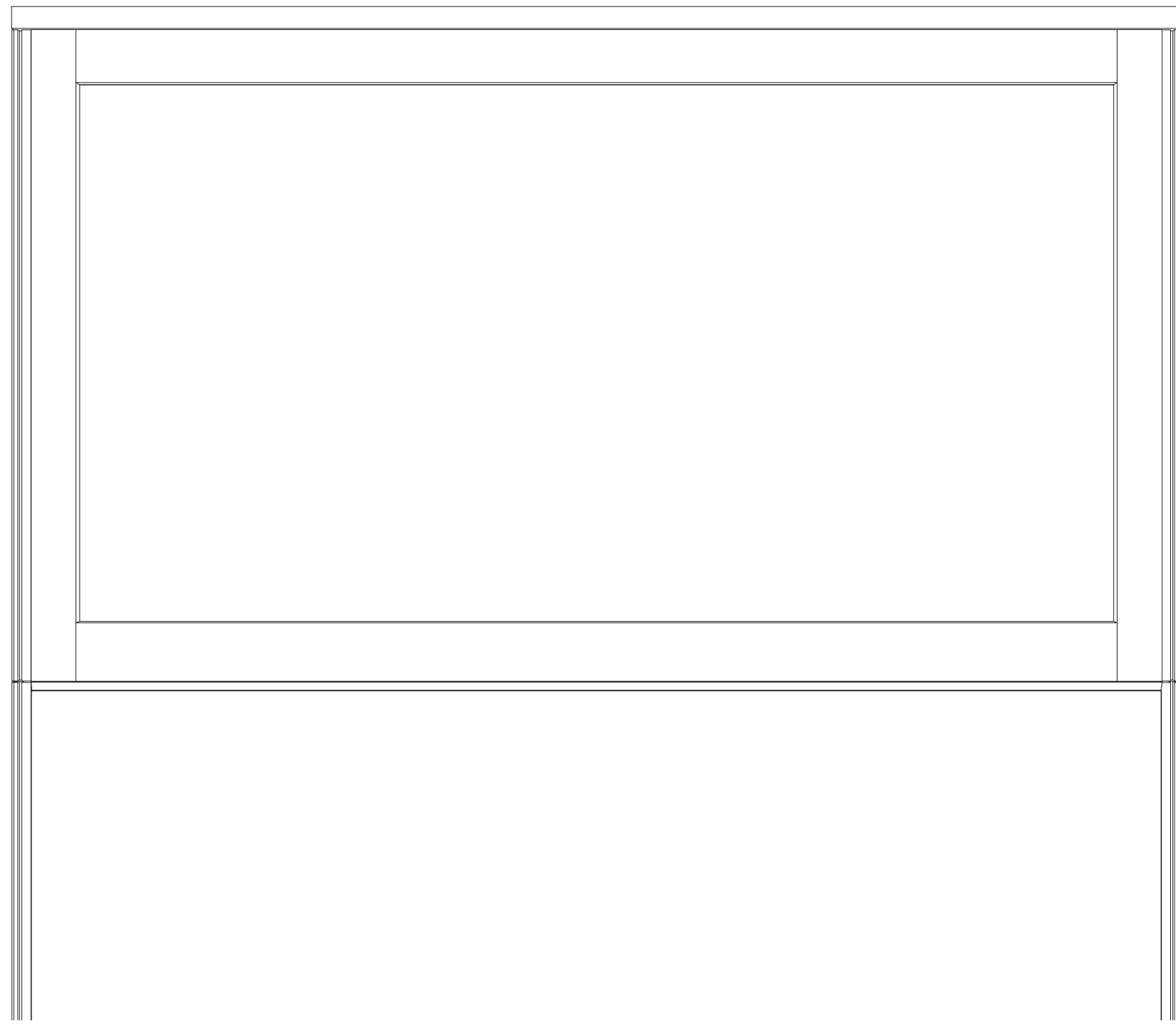
HEIGHT	WIDTH	PART NUMBER	LIST PRICE
18"	24"	EC-FLAO-218	\$699
18"	30"	EC-FLAO-3018	\$741
18"	36"	EC-FLAO-318	\$756
18"	42"	EC-FLAO-4218	\$783
18"	48"	EC-FLAO-418	\$814
18"	60"	EC-FLAO-518	\$861

NOTES:

- TOP CAP NOT INCLUDED



20" FRAMED FABRIC/LAMINATE ADD-ON



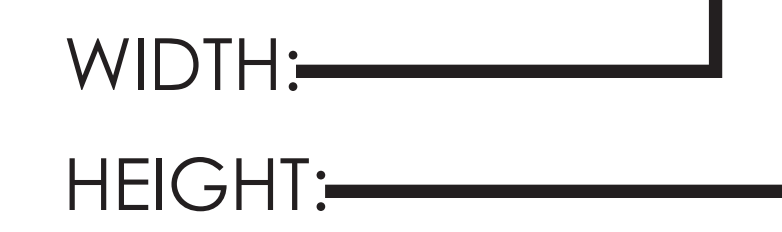
FEATURES:

- EASY INSTALLATION
- AVAILABLE WITH FABRIC OR LAMINATE

TO ORDER, SPECIFY:

- PART NUMBER / SIZE
- PAINT COLOR
- FABRIC/LAMINATE COLOR

PART: EC-FLAO-3020



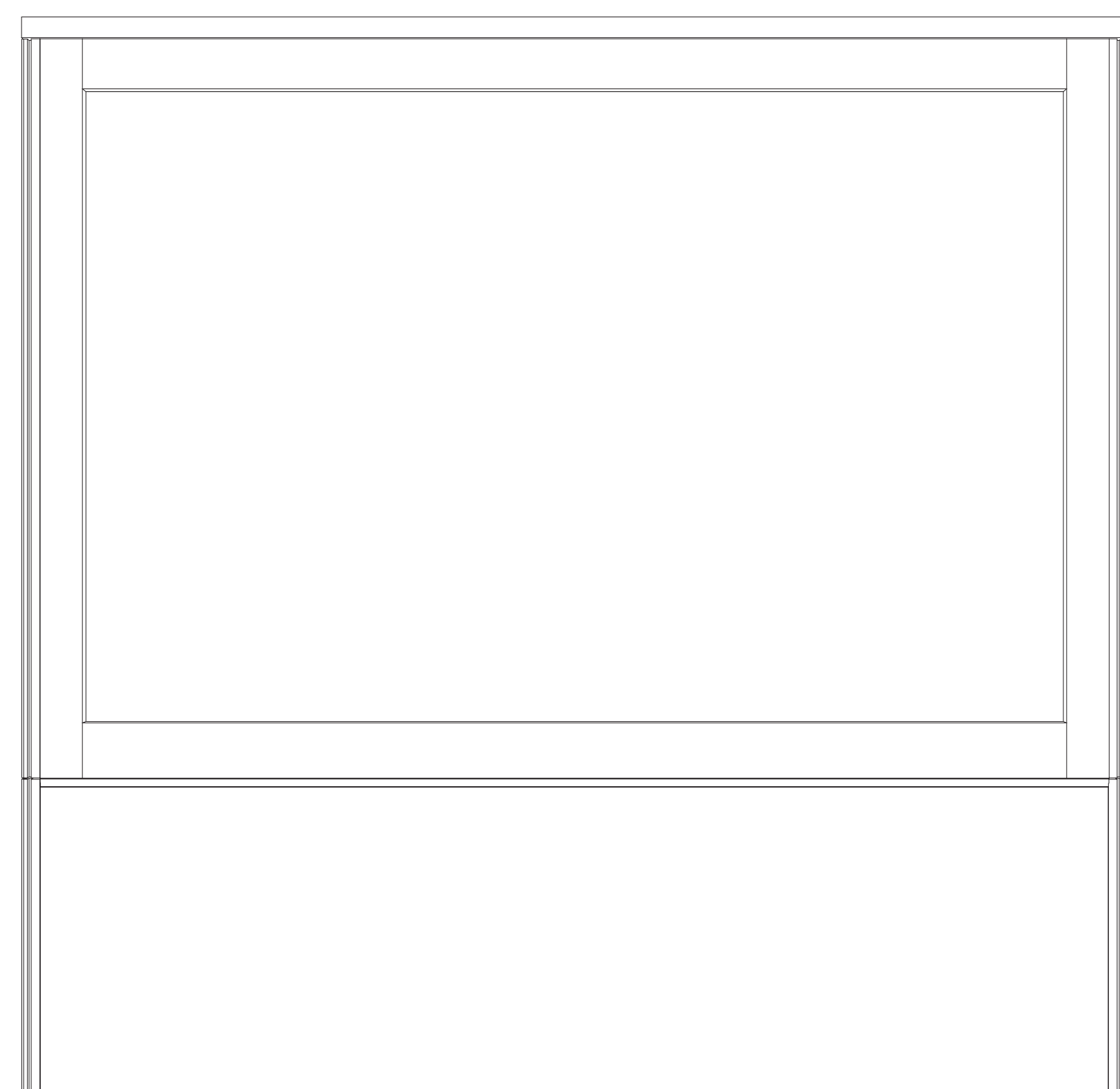
HEIGHT	WIDTH	PART NUMBER	LIST PRICE
20"	24"	EC-FLAO-220	\$704
20"	30"	EC-FLAO-3020	\$762
20"	36"	EC-FLAO-320	\$772
20"	42"	EC-FLAO-4220	\$804
20"	48"	EC-FLAO-420	\$825
20"	60"	EC-FLAO-520	\$893

NOTES:

- TOP CAP NOT INCLUDED



24" FRAMED FABRIC/LAMINATE ADD-ON



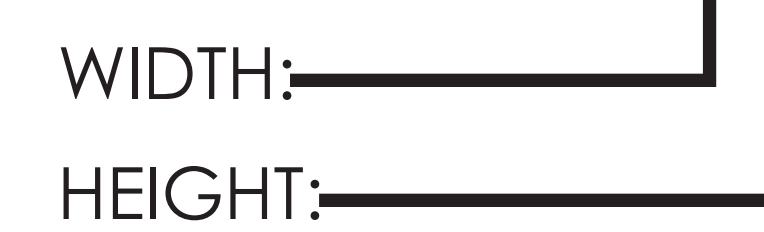
FEATURES:

- EASY INSTALLATION
- AVAILABLE WITH FABRIC OR LAMINATE

TO ORDER, SPECIFY:

- PART NUMBER / SIZE
- PAINT COLOR
- FABRIC/LAMINATE COLOR

PART: EC-FLAO-3024



HEIGHT	WIDTH	PART NUMBER	LIST PRICE
24"	24"	EC-FLAO-224	\$772
24"	30"	EC-FLAO-3024	\$793
24"	36"	EC-FLAO-324	\$830
24"	42"	EC-FLAO-4224	\$867
24"	48"	EC-FLAO-424	\$877
24"	60"	EC-FLAO-524	\$909

NOTES:

- TOP CAP NOT INCLUDED



18" DOUBLE FRAMED FABRIC/LAMINATE ADD-ON



FEATURES:

- EASY INSTALLATION
- AVAILABLE WITH FABRIC OR LAMINATE

TO ORDER, SPECIFY:

- PART NUMBER / SIZE
- PAINT COLOR
- FABRIC/LAMINATE COLOR

PART: EC-FLAO-D-3018



HEIGHT	WIDTH	PART NUMBER	LIST PRICE
18"	24"	EC-FLAO-D-218	\$877
18"	30"	EC-FLAO-D-3018	\$924
18"	36"	EC-FLAO-D-318	\$945
18"	42"	EC-FLAO-D-4218	\$1003
18"	48"	EC-FLAO-D-418	\$1019
18"	60"	EC-FLAO-D-518	\$1077

NOTES:

- TOP CAP NOT INCLUDED

20" DOUBLE FRAMED FABRIC/LAMINATE ADD-ON



FEATURES:

- EASY INSTALLATION
- AVAILABLE WITH FABRIC OR LAMINATE

TO ORDER, SPECIFY:

- PART NUMBER / SIZE
- PAINT COLOR
- FABRIC/LAMINATE COLOR

PART: EC-FLAO-D-3020



HEIGHT	WIDTH	PART NUMBER	LIST PRICE
20"	24"	EC-FLAO-D-220	\$882
20"	30"	EC-FLAO-D-3020	\$951
20"	36"	EC-FLAO-D-320	\$966
20"	42"	EC-FLAO-D-4220	\$1029
20"	48"	EC-FLAO-D-420	\$1082
20"	60"	EC-FLAO-D-520	\$1124

NOTES:

- TOP CAP NOT INCLUDED



24" DOUBLE FRAMED FABRIC/LAMINATE ADD-ON



FEATURES:

- EASY INSTALLATION
- AVAILABLE WITH FABRIC OR LAMINATE

TO ORDER, SPECIFY:

- PART NUMBER / SIZE
- PAINT COLOR
- FABRIC/LAMINATE COLOR

PART: EC-FLAO-D-3024



HEIGHT	WIDTH	PART NUMBER	LIST PRICE
24"	24"	EC-FLAO-D-224	\$882
24"	30"	EC-FLAO-D-3024	\$993
24"	36"	EC-FLAO-D-324	\$1029
24"	42"	EC-FLAO-D-4224	\$1082
24"	48"	EC-FLAO-D-424	\$1103
24"	60"	EC-FLAO-D-524	\$1134

NOTES:

- TOP CAP NOT INCLUDED



18" DOUBLE FRAMED GLAO/FLAO ADD-ON



FEATURES:

- EASY INSTALLATION
- AVAILABLE WITH CLEAR OR FROSTED PLEXI
- AVAILABLE WITH FABRIC OR LAMINATE

TO ORDER, SPECIFY:

- PART NUMBER / SIZE
- PAINT COLOR
- FABRIC/LAMINATE COLOR

PART: EC-GL/FLAO-D-3018



HEIGHT	WIDTH	PART NUMBER	LIST PRICE
18"	24"	EC-GL/FLAO-D-218	\$557
18"	30"	EC-GL/FLAO-D-3018	\$615
18"	36"	EC-GL/FLAO-D-318	\$709
18"	42"	EC-GL/FLAO-D-4218	\$798
18"	48"	EC-GL/FLAO-D-418	\$909
18"	60"	EC-GL/FLAO-D-518	\$924

NOTES:

- FROSTED PLEXI AVAILABLE AT A 20% UPCHARGE
- TOP CAPS SPECIFIED SEPARATELY



20" DOUBLE FRAMED GLAO/FLAO ADD-ON



FEATURES:

- EASY INSTALLATION
- AVAILABLE WITH CLEAR OR FROSTED PLEXI
- AVAILABLE WITH FABRIC OR LAMINATE

TO ORDER, SPECIFY:

- PART NUMBER / SIZE
- PAINT COLOR
- FABRIC/LAMINATE COLOR

PART: EC-GL/FLAO-D-3020



HEIGHT	WIDTH	PART NUMBER	LIST PRICE
20"	24"	EC-GL/FLAO-D-220	\$588
20"	30"	EC-GL/FLAO-D-3020	\$651
20"	36"	EC-GL/FLAO-D-320	\$735
20"	42"	EC-GL/FLAO-D-4220	\$825
20"	48"	EC-GL/FLAO-D-420	\$940
20"	60"	EC-GL/FLAO-D-520	\$972

NOTES:

- FROSTED PLEXI AVAILABLE AT A 20% UPCHARGE
- TOP CAPS SPECIFIED SEPARATELY



24" DOUBLE FRAMED GLAO/FLAO ADD-ON



FEATURES:

- EASY INSTALLATION
- AVAILABLE WITH CLEAR OR FROSTED PLEXI
- AVAILABLE WITH FABRIC OR LAMINATE

TO ORDER, SPECIFY:

- PART NUMBER / SIZE
- PAINT COLOR
- FABRIC/LAMINATE COLOR

PART: EC-GL/FLAO-D-3024



HEIGHT	WIDTH	PART NUMBER	LIST PRICE
24"	24"	EC-GL/FLAO-D-224	\$604
24"	30"	EC-GL/FLAO-D-3024	\$693
24"	36"	EC-GL/FLAO-D-324	\$783
24"	42"	EC-GL/FLAO-D-4224	\$877
24"	48"	EC-GL/FLAO-D-424	\$993
24"	60"	EC-GL/FLAO-D-524	\$1050

NOTES:

- FROSTED PLEXI AVAILABLE AT A 20% UPCHARGE
- TOP CAPS SPECIFIED SEPARATELY



8" CLEAR FRAMELESS GLASS ADD-ON



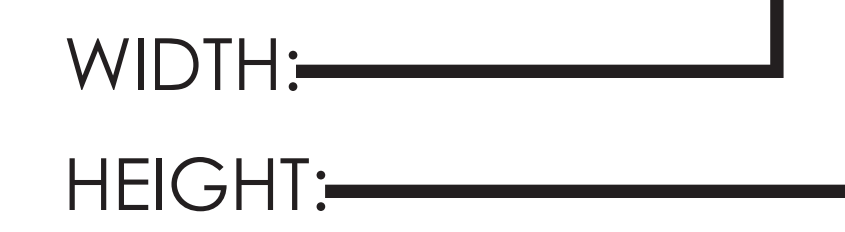
FEATURES:

- AVAILABLE WITH CLEAR OR FROSTED GLASS

TO ORDER, SPECIFY:

- PART NUMBER / SIZE
- PAINT COLOR
- GLASS COLOR

PART: EC-FRMGL-3008



HEIGHT	WIDTH	PART NUMBER	LIST PRICE
8"	22"	EC-FRMGL-208	\$300
8"	28"	EC-FRMGL-3008	\$305
8"	34"	EC-FRMGL-308	\$315
8"	40"	EC-FRMGL-4208	\$315
8"	46"	EC-FRMGL-408	\$321
8"	58"	EC-FRMGL-508	\$389
8"	70"	EC-FRMGL-608	\$462

NOTES:

- TOP CAP NOT INCLUDED



12" CLEAR FRAMELESS GLASS ADD-ON



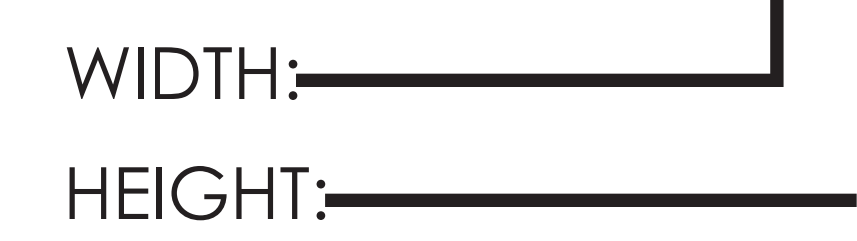
FEATURES:

- AVAILABLE WITH CLEAR OR FROSTED GLASS

TO ORDER, SPECIFY:

- PART NUMBER / SIZE
- PAINT COLOR
- GLASS COLOR

PART: EC-FRMGL-3012



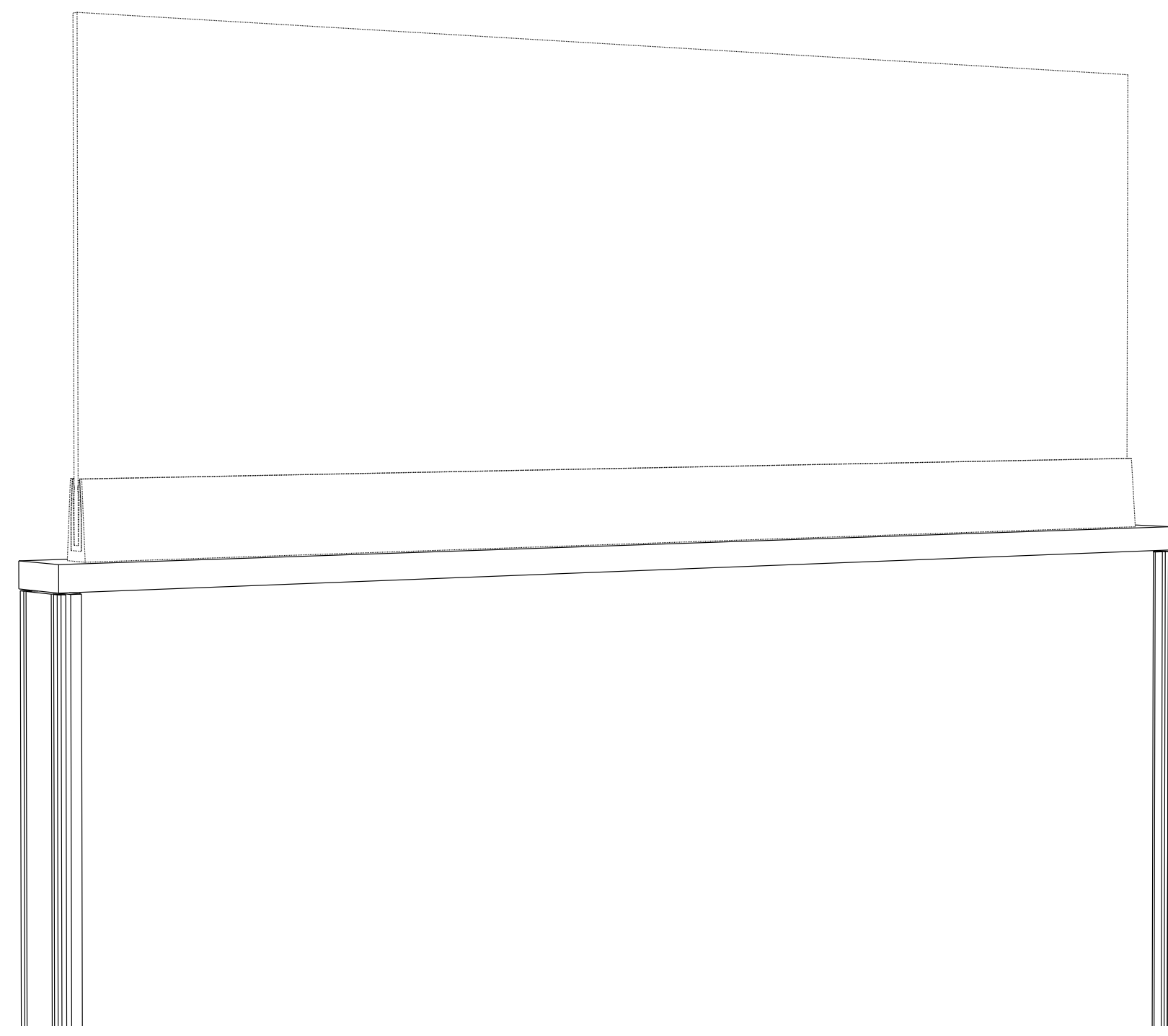
HEIGHT	WIDTH	PART NUMBER	LIST PRICE
12"	22"	EC-FRMGL-212	\$305
12"	28"	EC-FRMGL-3012	\$310
12"	34"	EC-FRMGL-312	\$315
12"	40"	EC-FRMGL-4212	\$321
12"	46"	EC-FRMGL-412	\$326
12"	58"	EC-FRMGL-512	\$394
12"	70"	EC-FRMGL-612	\$478

NOTES:

- TOP CAP NOT INCLUDED



13" CLEAR FRAMELESS GLASS ADD-ON



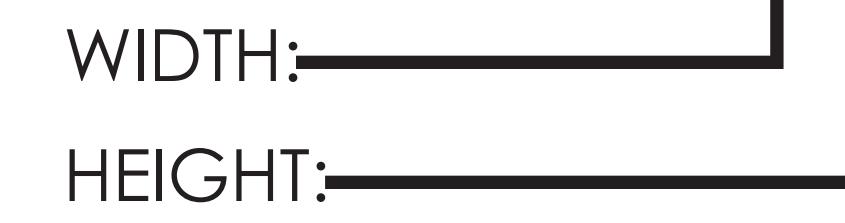
FEATURES:

- AVAILABLE WITH CLEAR OR FROSTED GLASS

TO ORDER, SPECIFY:

- PART NUMBER / SIZE
- PAINT COLOR
- GLASS COLOR

PART: EC-FRMGL-3013



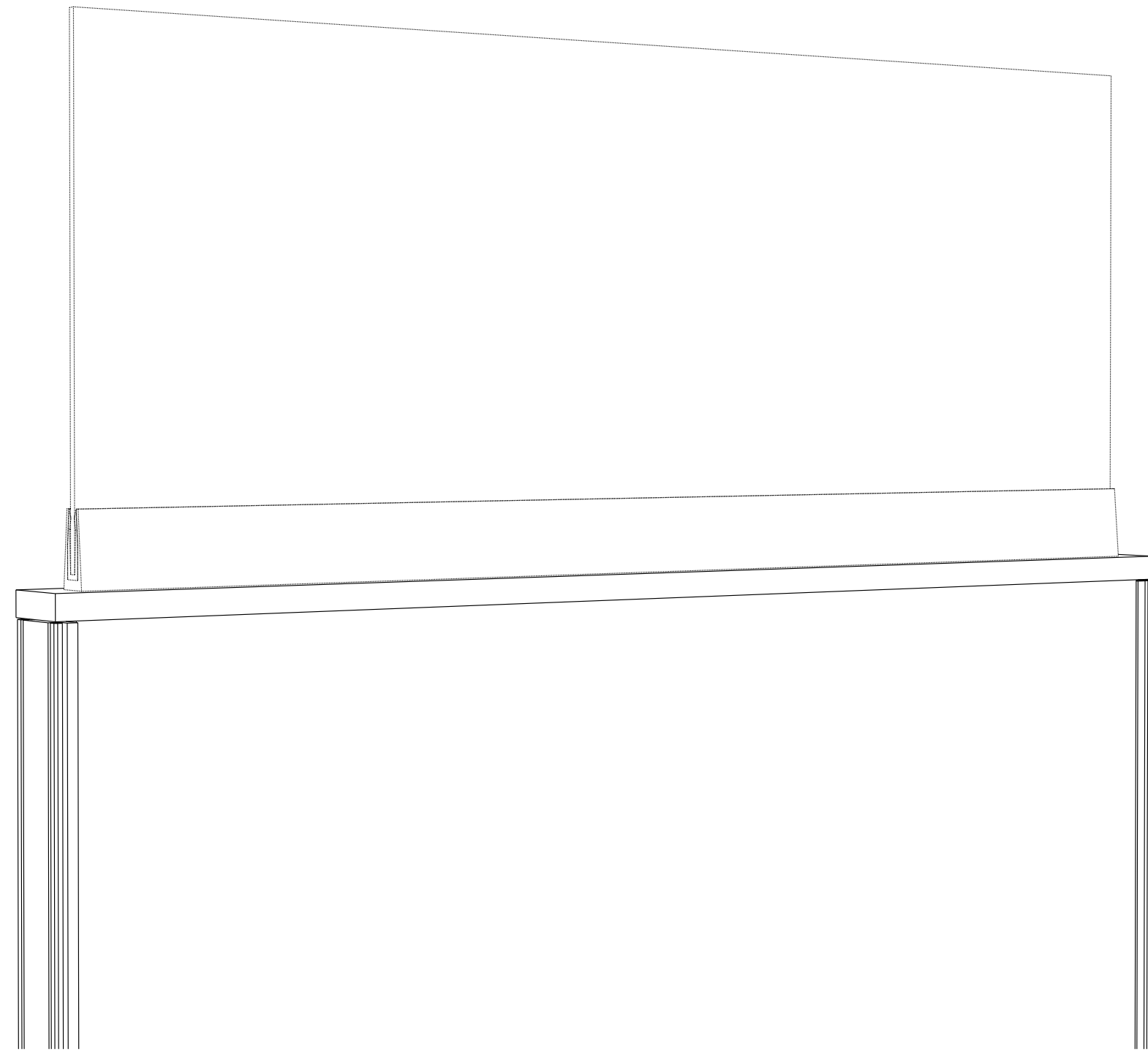
HEIGHT	WIDTH	PART NUMBER	LIST PRICE
13"	22"	EC-FRMGL-213	\$310
13"	28"	EC-FRMGL-3013	\$315
13"	34"	EC-FRMGL-313	\$321
13"	40"	EC-FRMGL-4213	\$326
13"	46"	EC-FRMGL-413	\$331
13"	58"	EC-FRMGL-513	\$394
13"	70"	EC-FRMGL-613	\$489

NOTES:

- TOP CAP NOT INCLUDED
- IF SPECIFIED WITH A PANEL TOP CAP WILL HAVE PRE-DRILLED HOLES FOR MOUNTING



14" CLEAR FRAMELESS GLASS ADD-ON



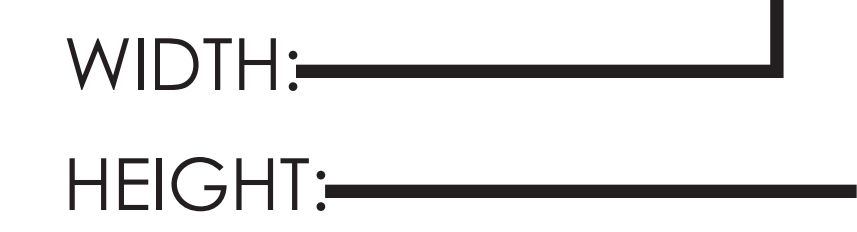
FEATURES:

- AVAILABLE WITH CLEAR OR FROSTED GLASS

TO ORDER, SPECIFY:

- PART NUMBER / SIZE
- PAINT COLOR
- GLASS COLOR

PART: EC-FRMGL-3014



HEIGHT	WIDTH	PART NUMBER	LIST PRICE
14"	22"	EC-FRMGL-214	\$310
14"	28"	EC-FRMGL-3014	\$315
14"	34"	EC-FRMGL-314	\$321
14"	40"	EC-FRMGL-4214	\$326
14"	46"	EC-FRMGL-414	\$331
14"	58"	EC-FRMGL-514	\$399
14"	70"	EC-FRMGL-614	\$494

NOTES:

- TOP CAP NOT INCLUDED
- IF SPECIFIED WITH A PANEL TOP CAP WILL HAVE PRE-DRILLED HOLES FOR MOUNTING



8" FROSTED FRAMELESS GLASS ADD-ON



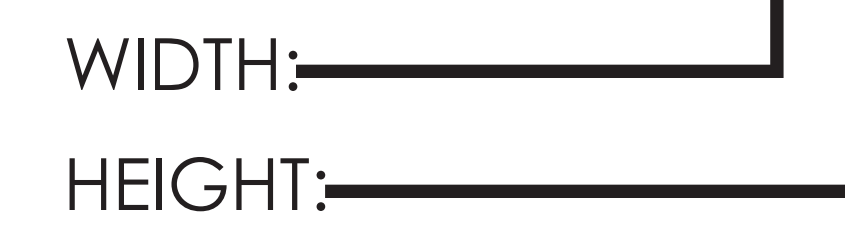
FEATURES:

- AVAILABLE WITH CLEAR OR FROSTED GLASS

TO ORDER, SPECIFY:

- PART NUMBER / SIZE
- PAINT COLOR
- GLASS COLOR

PART: EC-FRMGL-3008-F



HEIGHT	WIDTH	PART NUMBER	LIST PRICE
8"	22"	EC-FRMGL-208-F	\$384
8"	28"	EC-FRMGL-3008-F	\$394
8"	34"	EC-FRMGL-308-F	\$405
8"	40"	EC-FRMGL-4208-F	\$415
8"	46"	EC-FRMGL-408-F	\$436
8"	58"	EC-FRMGL-508-F	\$520
8"	70"	EC-FRMGL-608-F	\$630

NOTES:

- TOP CAP NOT INCLUDED
- IF SPECIFIED WITH A PANEL TOP CAP WILL HAVE PRE-DRILLED HOLES FOR MOUNTING



12" FROSTED FRAMELESS GLASS ADD-ON



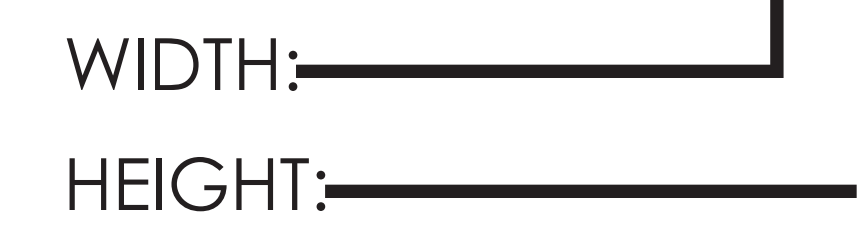
FEATURES:

- AVAILABLE WITH CLEAR OR FROSTED GLASS

TO ORDER, SPECIFY:

- PART NUMBER / SIZE
- PAINT COLOR
- GLASS COLOR

PART: EC-FRMGL-3012-F



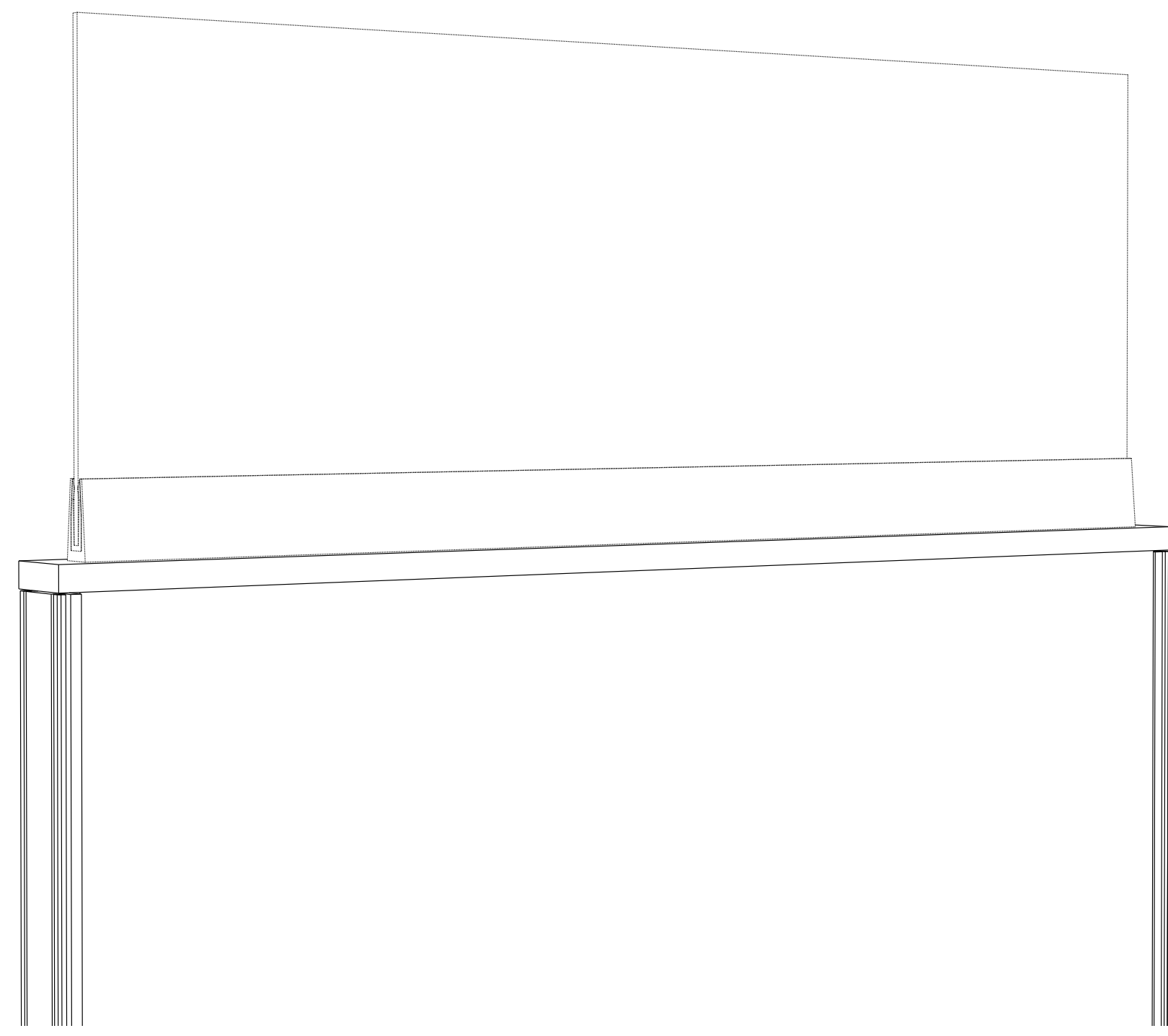
HEIGHT	WIDTH	PART NUMBER	LIST PRICE
12"	22"	EC-FRMGL-212-F	\$389
12"	28"	EC-FRMGL-3012-F	\$410
12"	34"	EC-FRMGL-312-F	\$447
12"	40"	EC-FRMGL-4212-F	\$478
12"	46"	EC-FRMGL-412-F	\$515
12"	58"	EC-FRMGL-512-F	\$625
12"	70"	EC-FRMGL-612-F	\$762

NOTES:

- TOP CAP NOT INCLUDED
- IF SPECIFIED WITH A PANEL TOP CAP WILL HAVE PRE-DRILLED HOLES FOR MOUNTING



13" FROSTED FRAMELESS GLASS ADD-ON



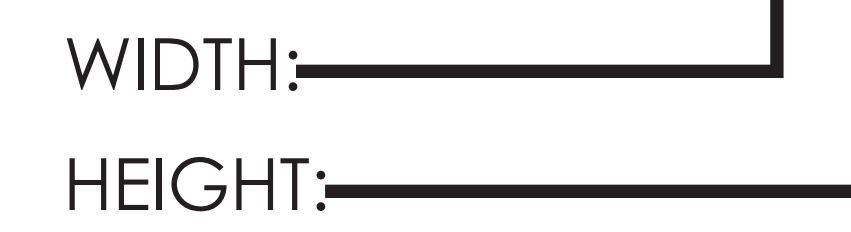
FEATURES:

- AVAILABLE WITH CLEAR OR FROSTED GLASS

TO ORDER, SPECIFY:

- PART NUMBER / SIZE
- PAINT COLOR
- GLASS COLOR

PART: EC-FRMGL-3013-F



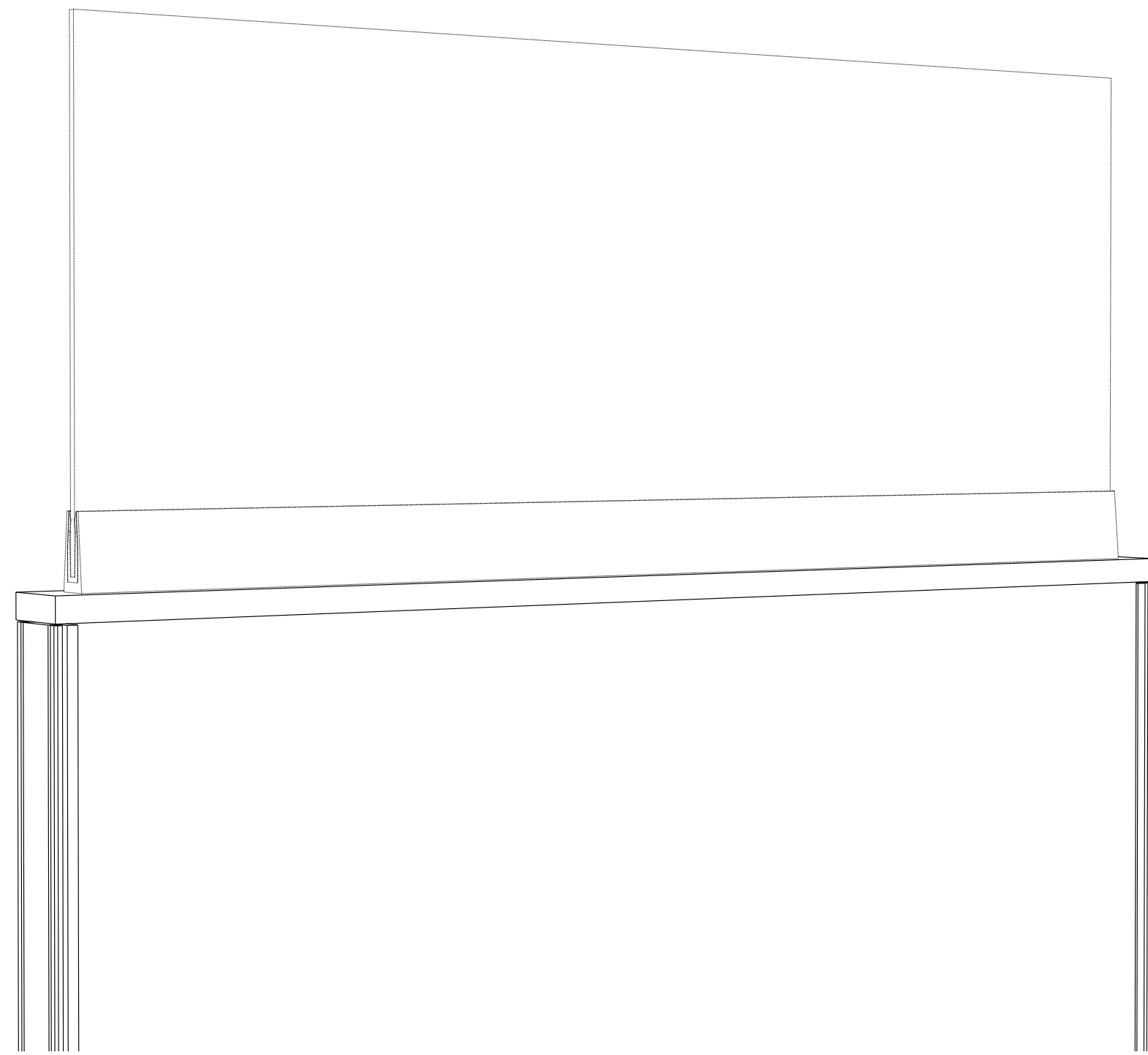
HEIGHT	WIDTH	PART NUMBER	LIST PRICE
13"	22"	EC-FRMGL-213-F	\$405
13"	28"	EC-FRMGL-3013-F	\$436
13"	34"	EC-FRMGL-313-F	\$478
13"	40"	EC-FRMGL-4213-F	\$515
13"	46"	EC-FRMGL-413-F	\$562
13"	58"	EC-FRMGL-513-F	\$678
13"	70"	EC-FRMGL-613-F	\$830

NOTES:

- TOP CAP NOT INCLUDED
- IF SPECIFIED WITH A PANEL TOP CAP WILL HAVE PRE-DRILLED HOLES FOR MOUNTING



14" FROSTED FRAMELESS GLASS ADD-ON



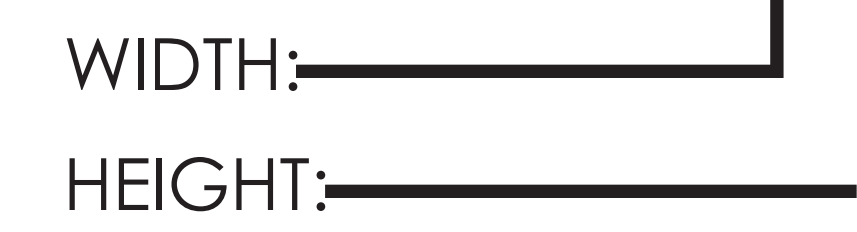
FEATURES:

- AVAILABLE WITH CLEAR OR FROSTED GLASS

TO ORDER, SPECIFY:

- PART NUMBER / SIZE
- PAINT COLOR
- GLASS COLOR

PART: EC-FRMGL-3014-F



HEIGHT	WIDTH	PART NUMBER	LIST PRICE
14"	22"	EC-FRMGL-214-F	\$420
14"	28"	EC-FRMGL-3014-F	\$462
14"	34"	EC-FRMGL-314-F	\$510
14"	40"	EC-FRMGL-4214-F	\$557
14"	46"	EC-FRMGL-414-F	\$604
14"	58"	EC-FRMGL-514-F	\$735
14"	70"	EC-FRMGL-614-F	\$893

NOTES:

- TOP CAP NOT INCLUDED
- IF SPECIFIED WITH A PANEL TOP CAP WILL HAVE PRE-DRILLED HOLES FOR MOUNTING



T-MOUNT KIT

TO ORDER, SPECIFY:

- PART NUMBER
- HEIGHT

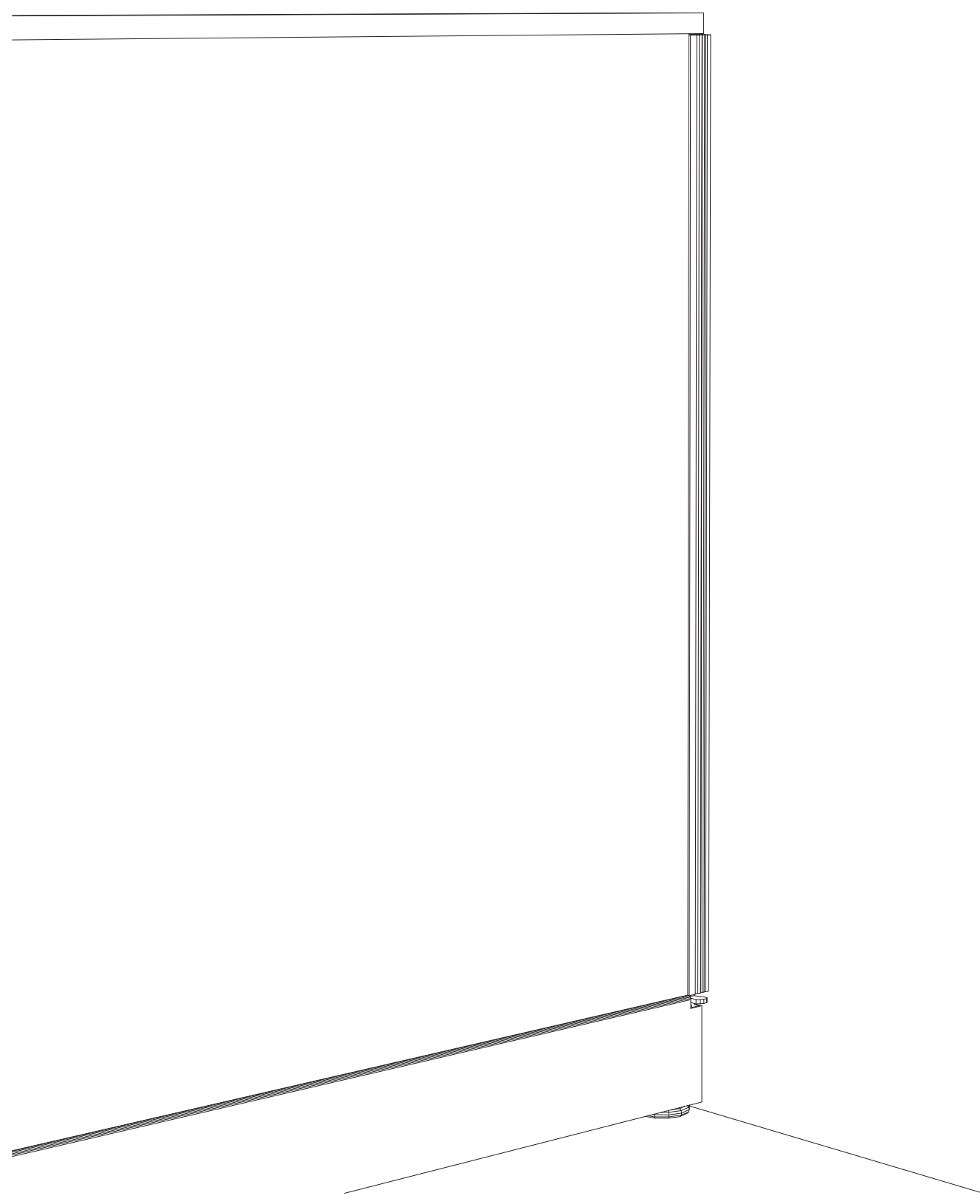
PART: EC-TMKT-30

HEIGHT: _____ ↑

HEIGHT	PART NUMBER	LIST PRICE
30"	EC-TMKT-30	\$69
37"	EC-TMKT-37	\$69
44"	EC-TMKT-44	\$74
50"	EC-TMKT-50	\$79
56"	EC-TMKT-56	\$84
64"	EC-TMKT-64	\$90
68"	EC-TMKT-68	\$90
82"	EC-TMKT-82	\$111



WALL MOUNT KIT



TO ORDER, SPECIFY:

- PART NUMBER
- HEIGHT

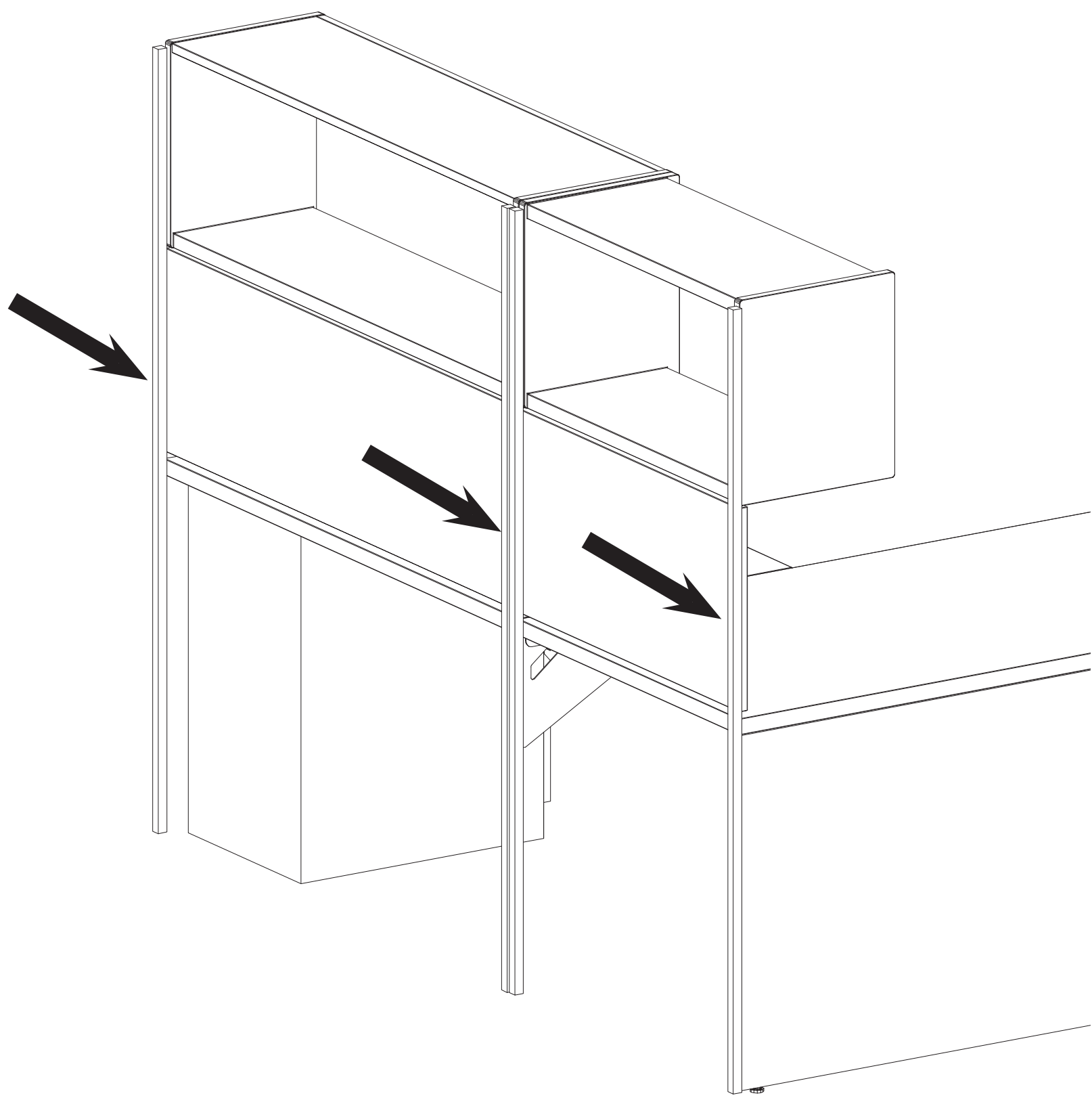
PART: EC-WMK-30

HEIGHT: 

HEIGHT	PART NUMBER	LIST PRICE
30"	EC-WMK-30	\$63
37"	EC-WMK-37	\$63
44"	EC-WMK-44	\$69
50"	EC-WMK-50	\$79
56"	EC-WMK-56	\$84
64"	EC-WMK-64	\$95
68"	EC-WMK-68	\$100
82"	EC-WMK-82	\$105



WALL TRACK



TO ORDER, SPECIFY:

- PART NUMBER
- HEIGHT
- PAINT COLOR

PART: EC-WT-26.5

HEIGHT:

HEIGHT		PART NUMBER	LIST PRICE
26.5"		EC-WT-26.5 (PAIR)	\$74
60"	(SHOWN ABOVE)	EC-WT-60 (PAIR)	\$137
72"		EC-WT-72 (PAIR)	\$163
84"		EC-WT-84 (PAIR)	\$189

Z-BRACKET

FEATURES:

- USED TO MOUNT TACKBOARDS ON WALL

TO ORDER, SPECIFY:

- PART NUMBER

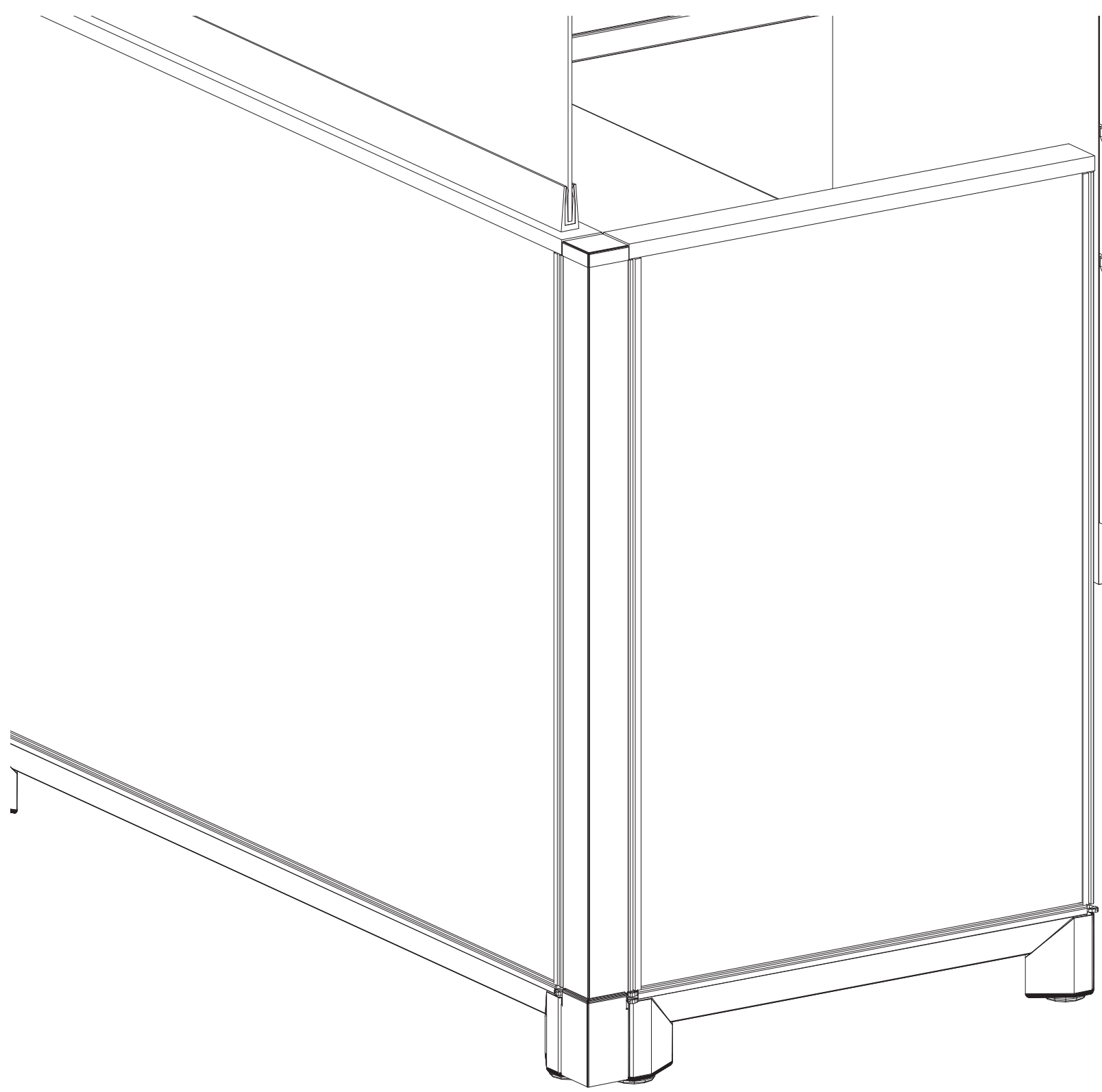
NOTES:

- CUT TO FIT IF TACKBOARD IS LESS THAN 48"

HEIGHT	COLOR	PART NUMBER	LIST PRICE
48"	UNPAINTED	EC-Z-BRACKET (PAIR)	\$137



FABRIC CORNER (2-WAY) FINISH POST



TO ORDER, SPECIFY:

- PART NUMBER
- HEIGHT
- PAINT COLOR
- FABRIC COLOR

PART: ECSQ-PPFC-30

HEIGHT: _____ ↑

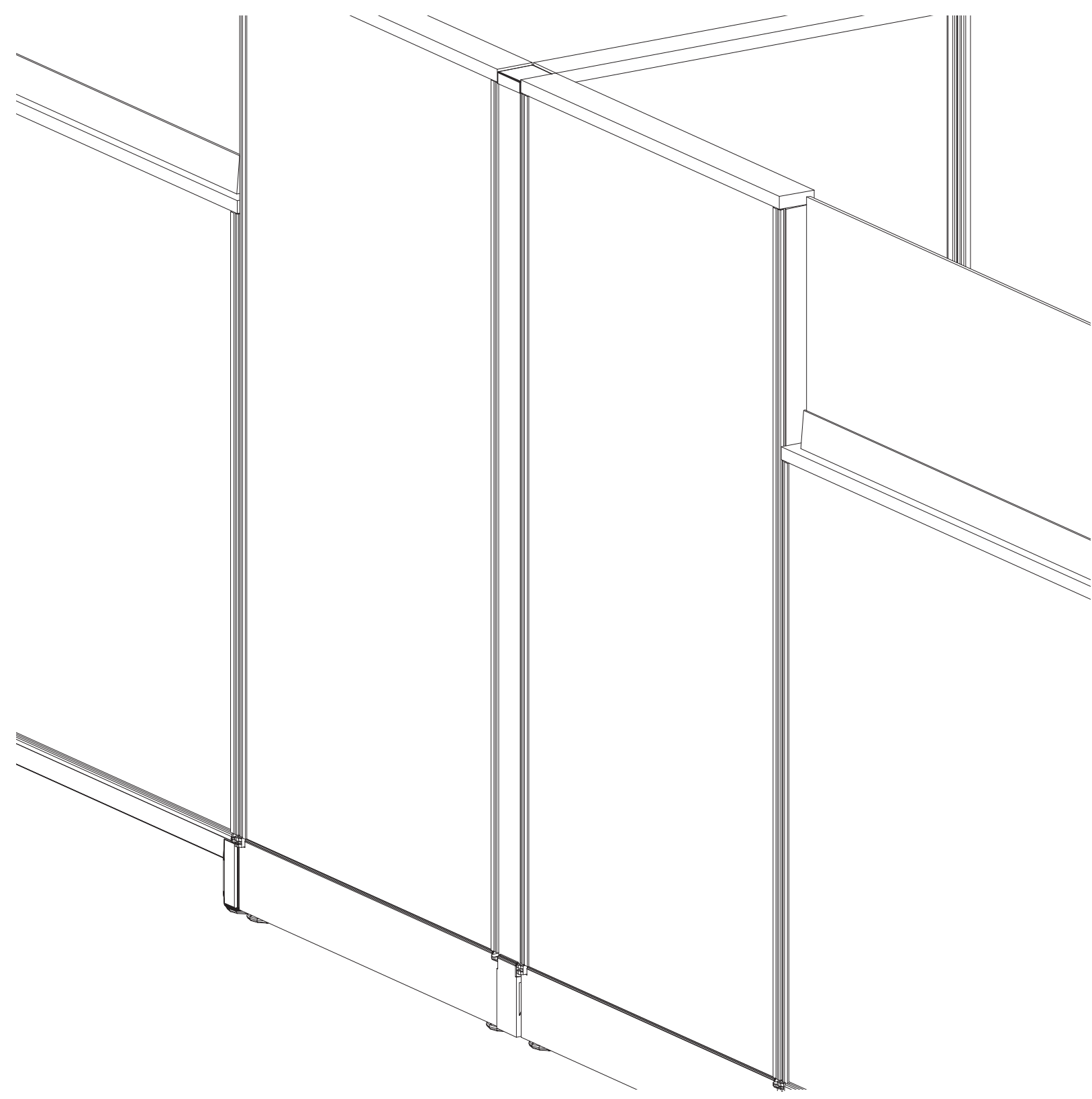
HEIGHT	PART NUMBER	LIST PRICE
30"	ECSQ-PPFC-30	\$83
37"	ECSQ-PPFC-37	\$111
44"	ECSQ-PPFC-44	\$111
50"	ECSQ-PPFC-50	\$122
56"	ECSQ-PPFC-56	\$122
64"	ECSQ-PPFC-64	\$128
68"	ECSQ-PPFC-68	\$133
82"	ECSQ-PPFC-82	\$194

NOTES:

- TOP AND BOTTOM TRIM INCLUDED



FABRIC STRAIGHT (3-WAY) FINISH POST



TO ORDER, SPECIFY:

- PART NUMBER
- HEIGHT
- PAINT COLOR
- FABRIC COLOR

PART: ECSQ-FPFS-30

HEIGHT: _____ ↑

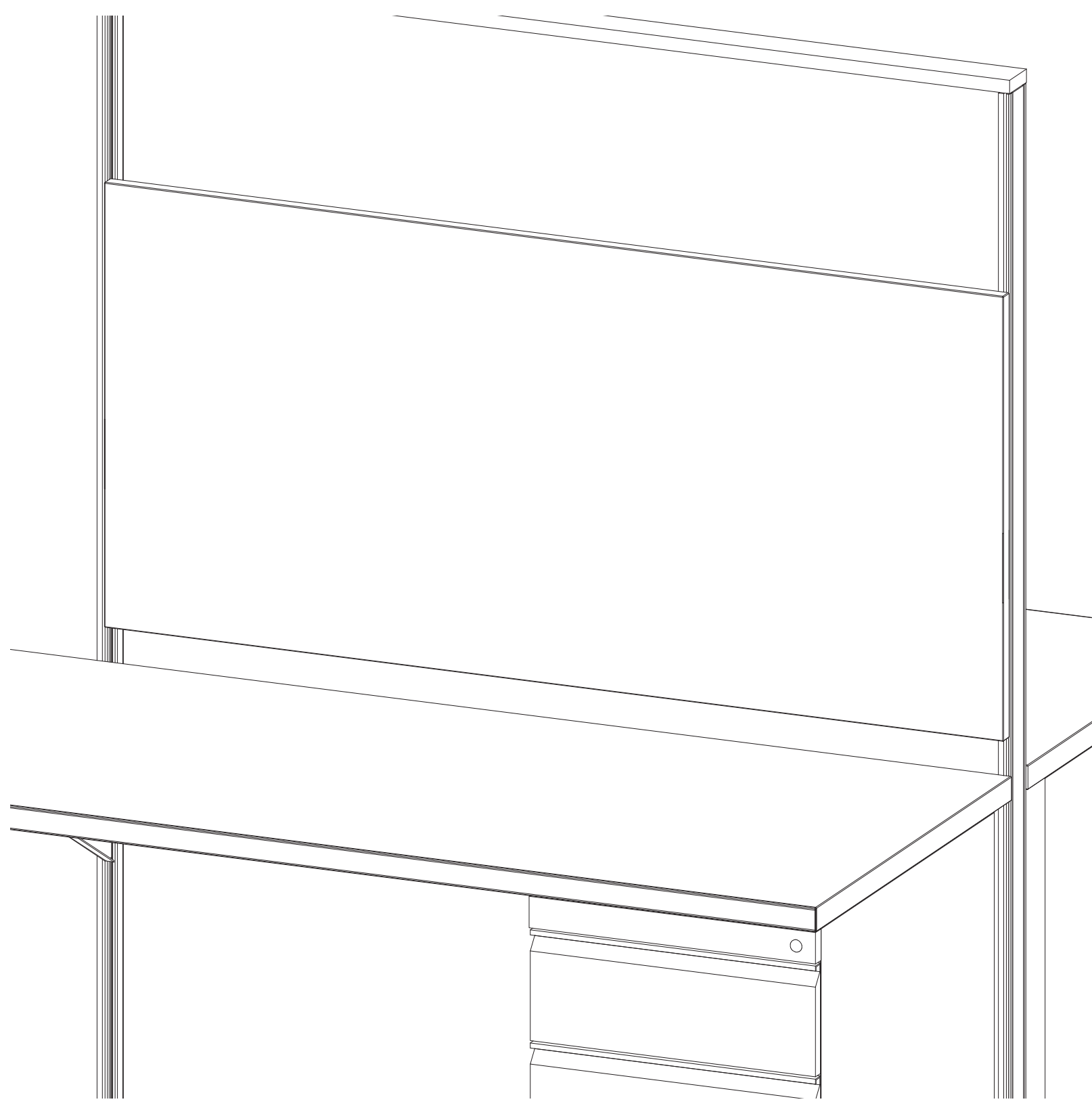
HEIGHT	PART NUMBER	LIST PRICE
30"	ECSQ-FPFS-30	\$78
37"	ECSQ-FPFS-37	\$78
44"	ECSQ-FPFS-44	\$78
50"	ECSQ-FPFS-50	\$89
56"	ECSQ-FPFS-56	\$89
64"	ECSQ-FPFS-64	\$89
68"	ECSQ-FPFS-68	\$95
82"	ECSQ-FPFS-82	\$100

NOTES:

- TOP AND BOTTOM TRIM INCLUDED



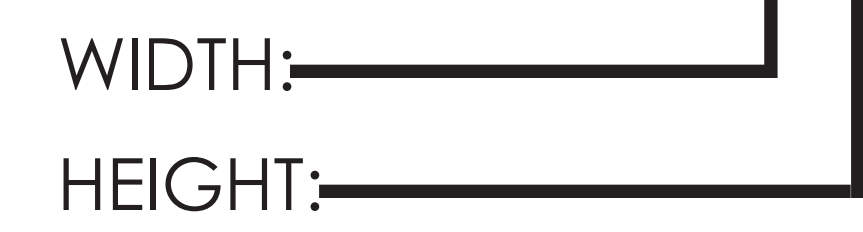
MARKER BOARD



TO ORDER, SPECIFY:

- PART NUMBER
- PAINT COLOR
- HEIGHT
- WIDTH

PART: EC-HNAM-3023



WIDTH	HEIGHT	PART NUMBER	LIST PRICE
30"	23"	EC-HNAM-3023	\$384
36"	23"	EC-HNAM-3623	\$447
42"	23"	EC-HNAM-4223	\$468
48"	23" (SHOWN ABOVE)	EC-HNAM-4823	\$494
60"	23"	EC-HNAM-6023	\$588
60"	48"	EC-HNAM-6048	\$678

NOTES:

- MAGNETIC MARKER HOLDER AND MARKERS INCLUDED



TRIM PIECES

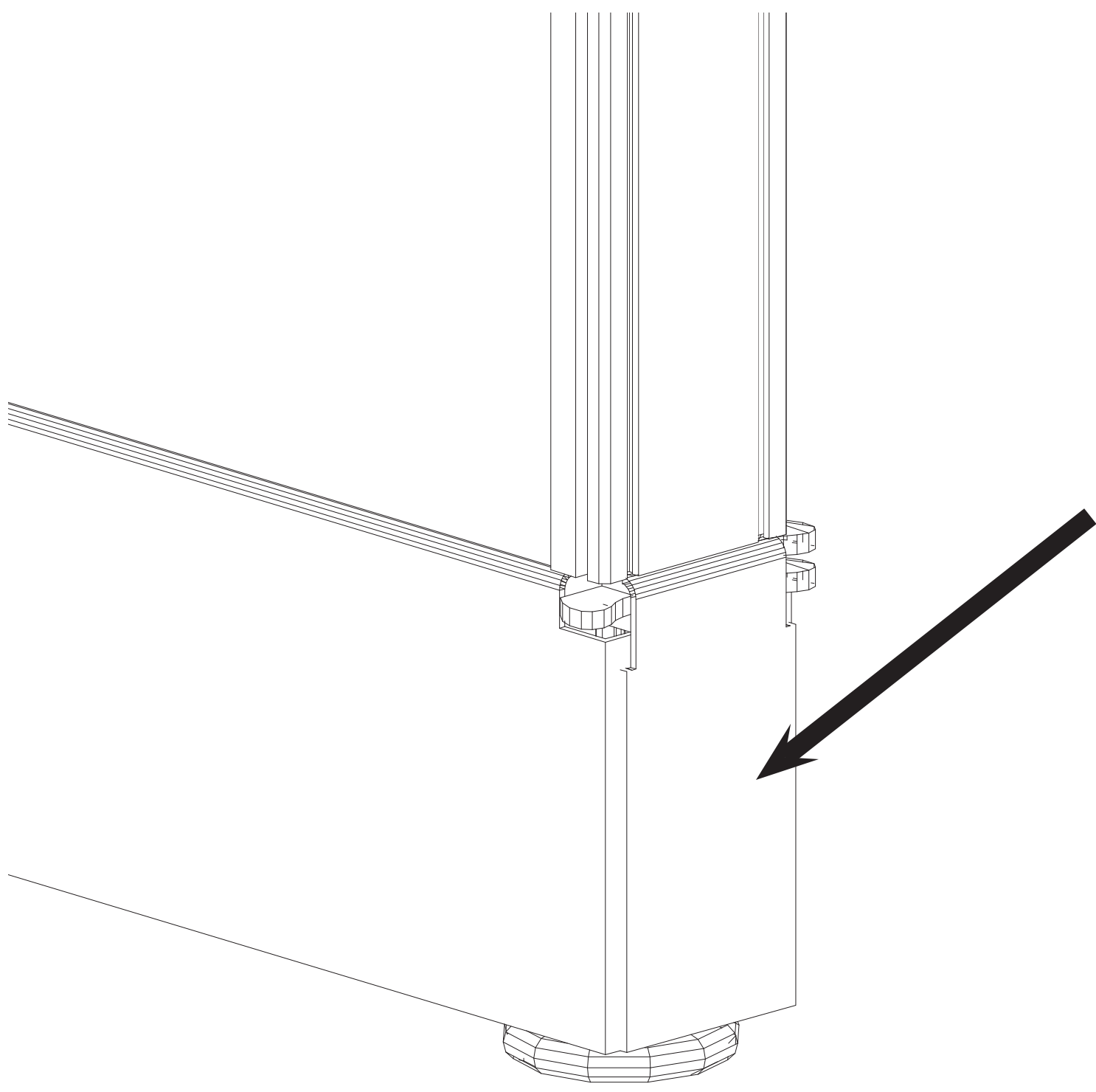


FIGURE: 1

TO ORDER, SPECIFY:

- PART NUMBER
- PAINT COLOR

DESCRIPTION	PART NUMBER	LIST PRICE
BASEPLATE END CAP (SEE FIGURE-1)	EC-EC-1	\$11
4-WAY TOP CAP (SEE FIGURE-2)	ECSQ-4WAY-TC	\$53
CUSTOM 3-WAY FABRIC FINISH POST (SEE FIGURE-3)	ECSQ-CUST-FPFS	\$100
17" TASK LIGHT WIRE-CHANNEL (SEE FIGURE-4)	EC-WC-17	\$27
20" TASK LIGHT WIRE-CHANNEL	EC-WC-20	\$27

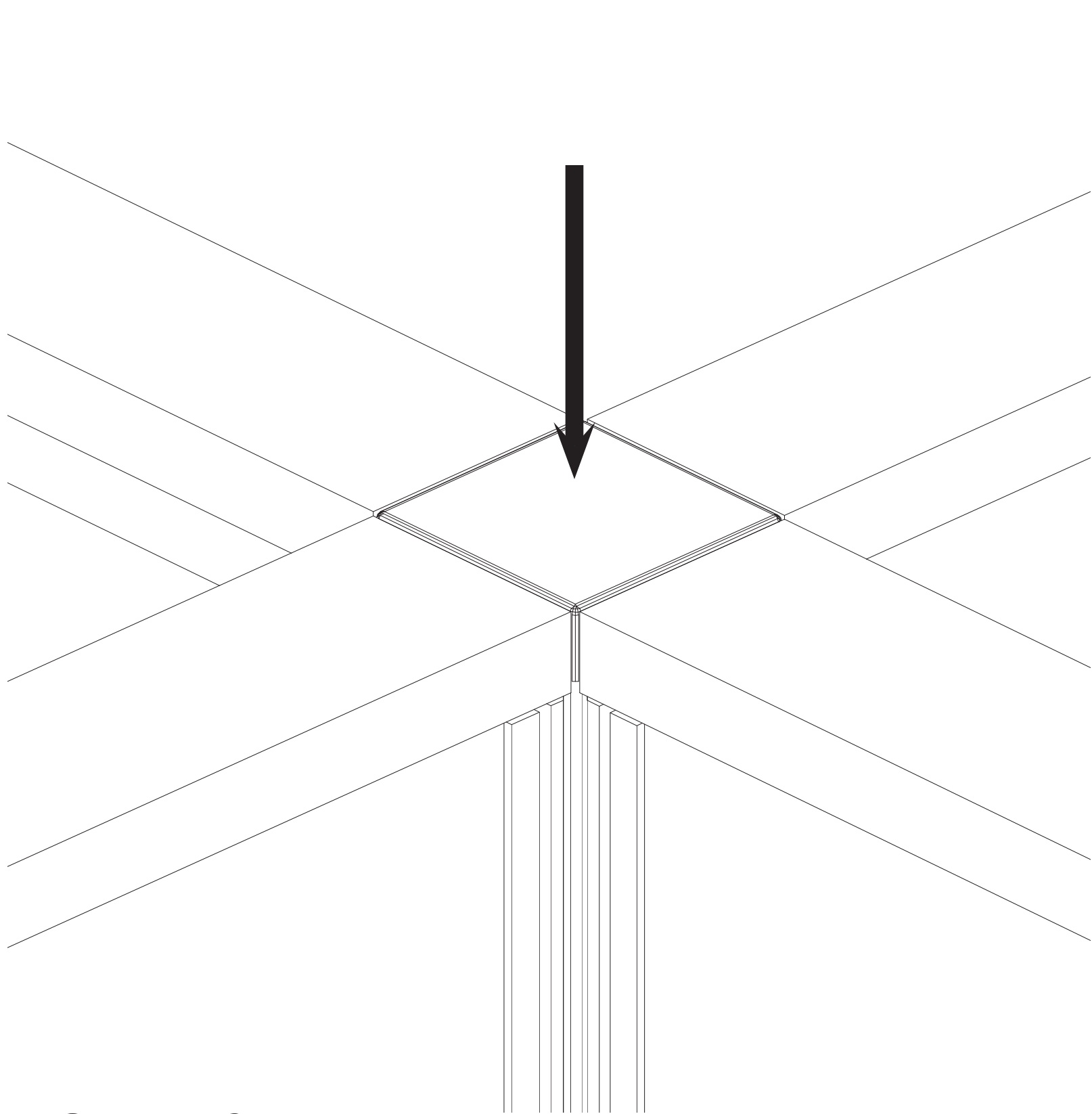


FIGURE: 2

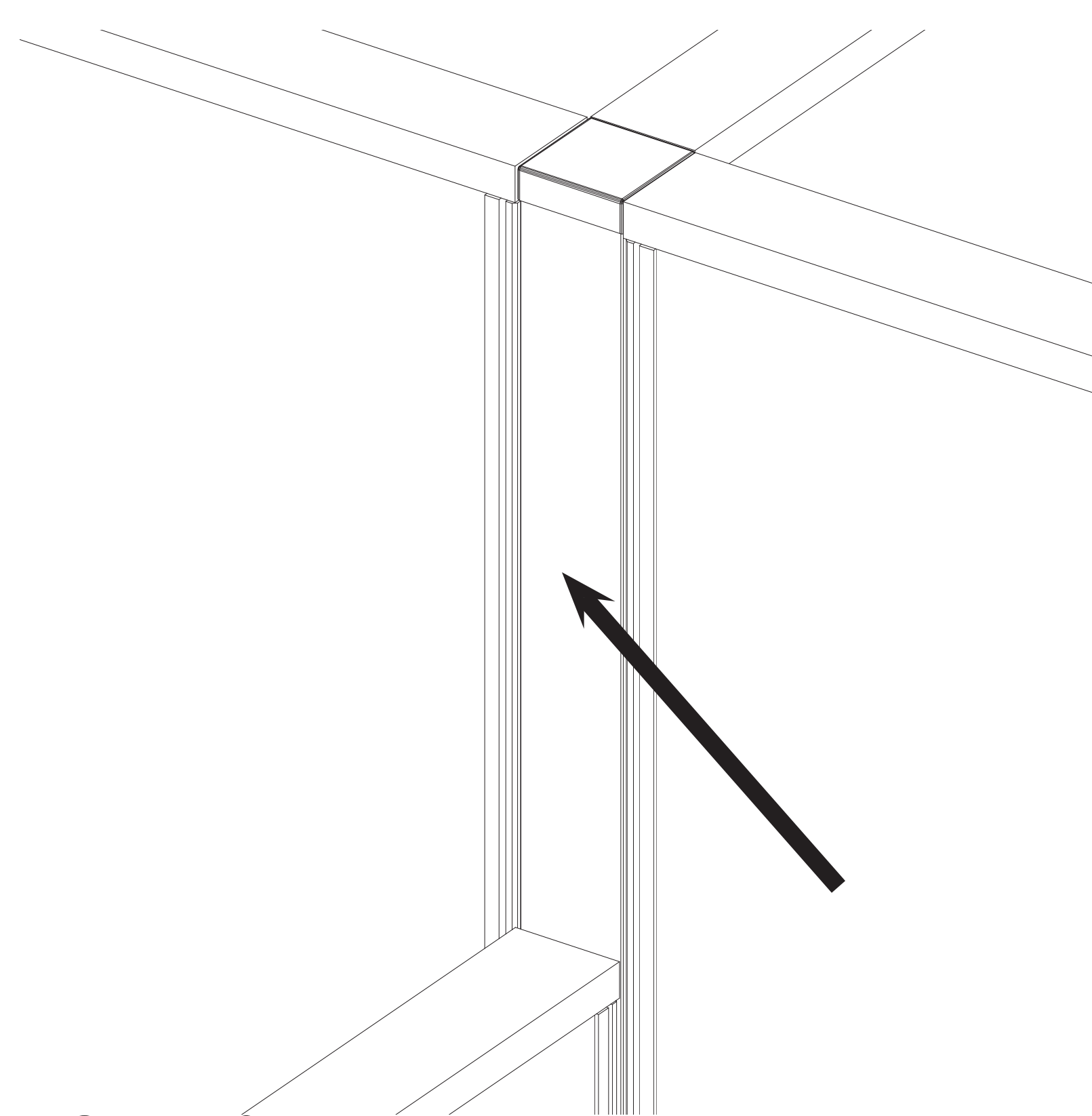


FIGURE: 3

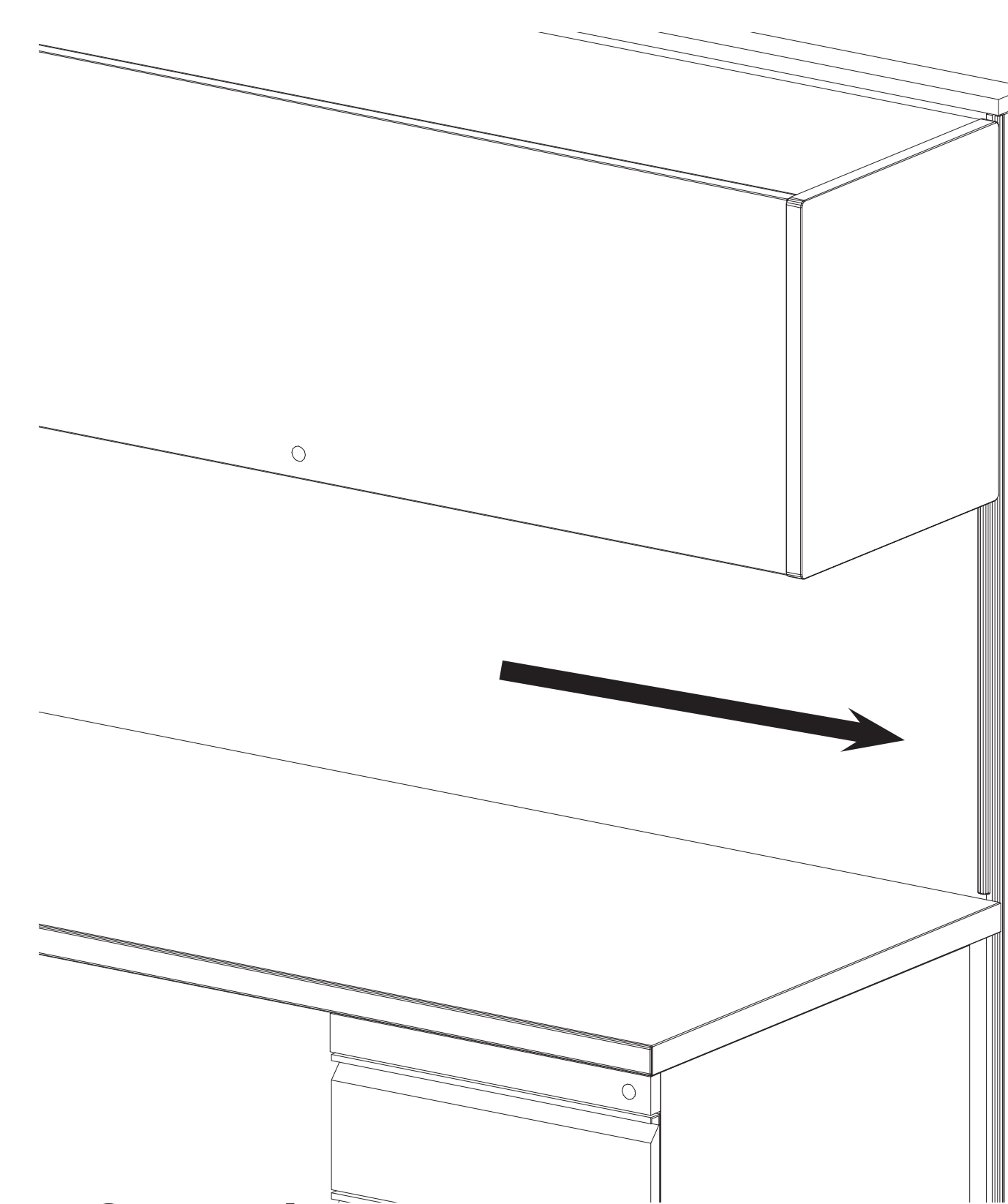


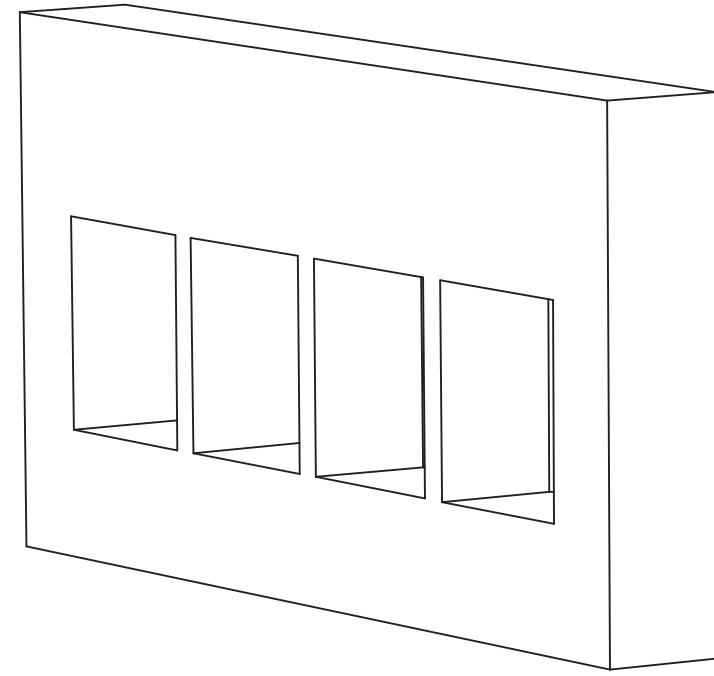
FIGURE: 4



DATA PLATES

TO ORDER, SPECIFY:

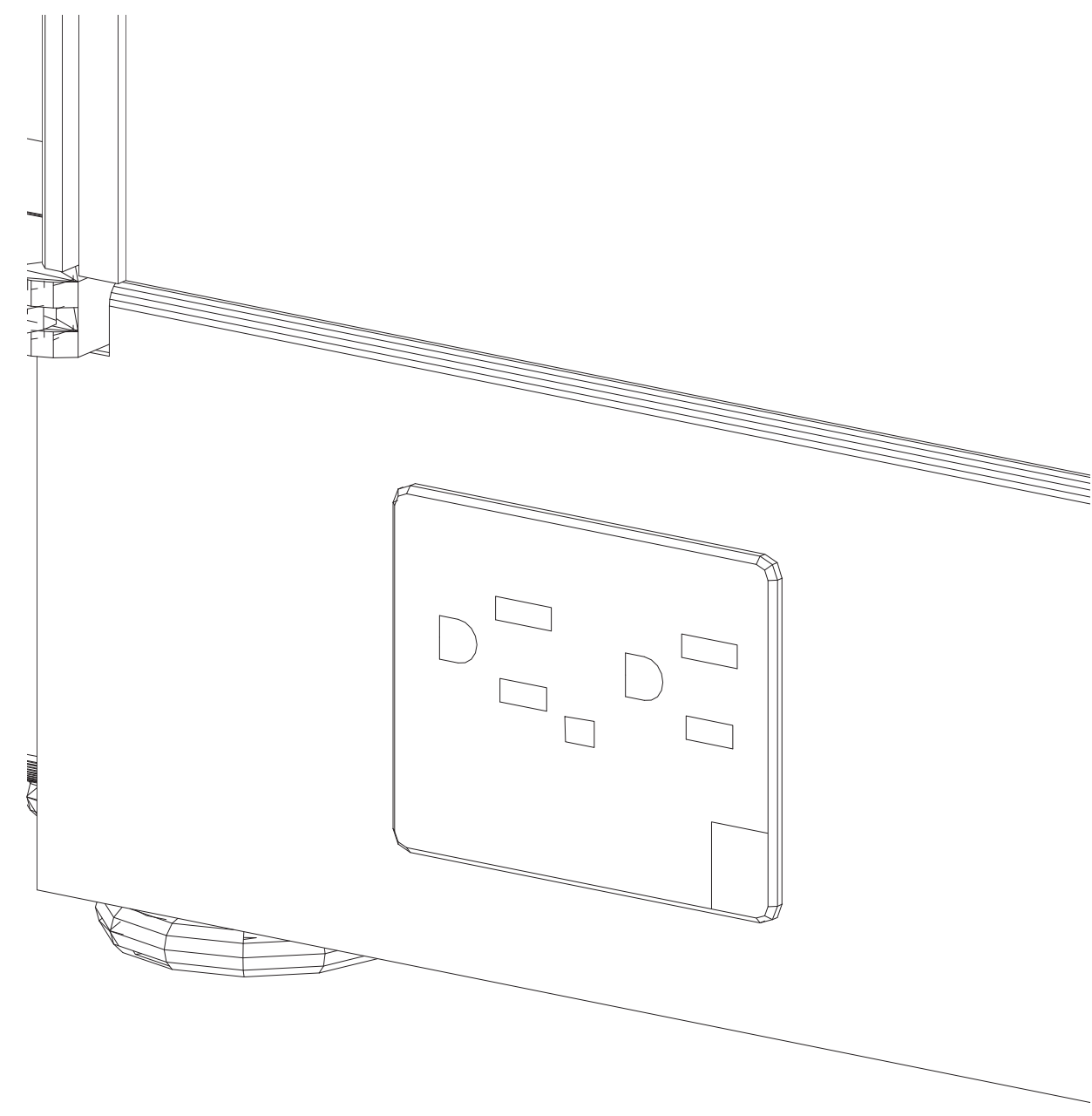
- PART NUMBER
- BASEPLATE CUTOUT LOCATION



DESCRIPTION	PART NUMBER	LIST PRICE
EMPTY LEVITON DATA PLATE AND BASEPLATE CUTOUT (SHOWN ABOVE)	EC-DATA-PORT-UPGRADE	\$58
LEVITON DATA PLATE WITH SINGLE CAT-5E CONNECTOR AND BASEPLATE CUTOUT	EC-DATA-PLATE-SINGLE-5E	\$111
LEVITON DATA PLATE WITH SINGLE CAT-6 CONNECTOR AND BASEPLATE CUTOUT	EC-DATA-PLATE-SINGLE-6	\$137
LEVITON DATA PLATE WITH DOUBLE CAT-5E CONNECTOR AND BASEPLATE CUTOUT	EC-DATA-PLATE-DOUBLE-5E	\$163
LEVITON DATA PLATE WITH DOUBLE CAT-6 CONNECTOR AND BASEPLATE CUTOUT	EC-DATA-PLATE-DOUBLE-6	\$221
CUSTOM DATA PLATE CUTOUT IN BASEPLATE	EC-CUST-DATA-PORT-UPGRADE	\$58



DUPLEX RECEPTACLES



FEATURES:

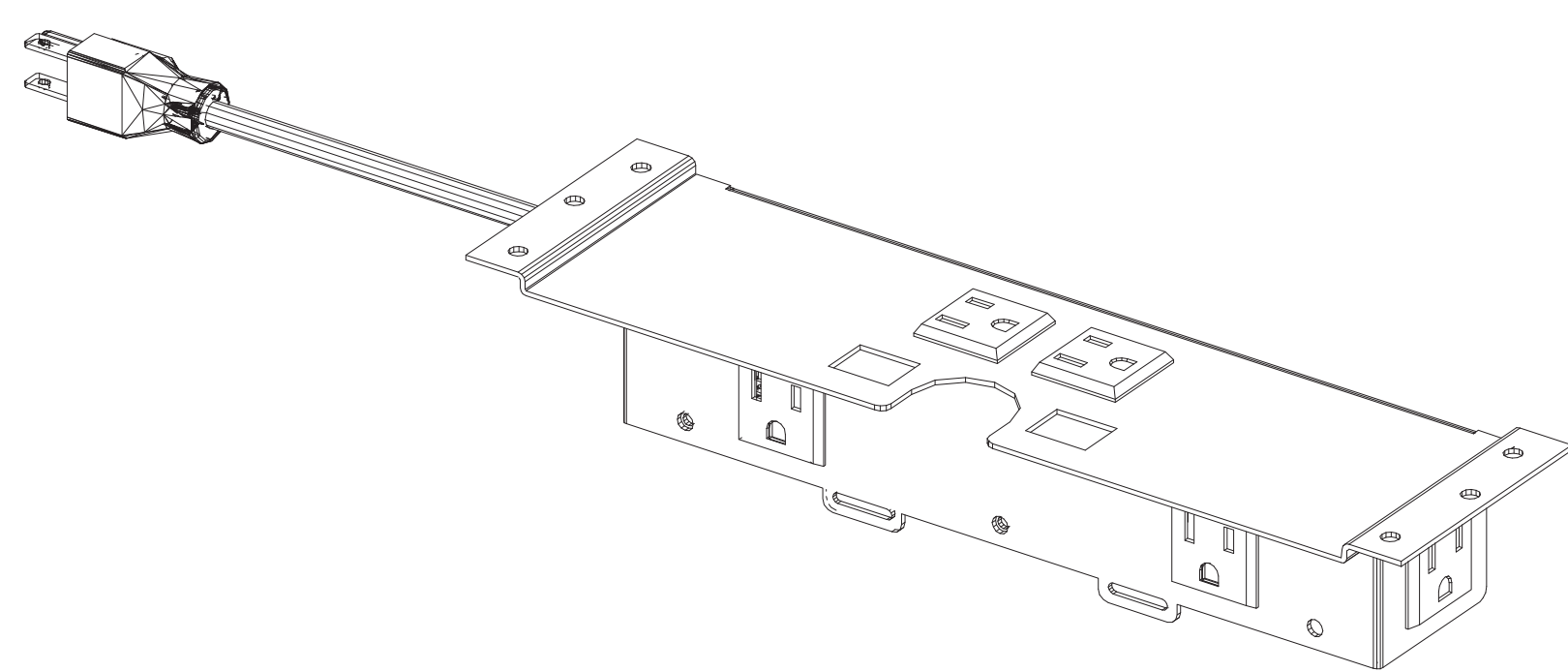
- ACCOMMODATES CIRCUITS 1-3 WITH ADJUSTABLE SLIDER ON THE BACK

TO ORDER, SPECIFY:

- PART NUMBER
- PAINT COLOR

DESCRIPTION	PART NUMBER	LIST PRICE
DUPLEX RECEPTACLE	EC-PRD-3-1	\$42
ISOLATED GROUND DUPLEX RECEPTACLE	EC-PRD-5-1	\$48

DESKTOP POWER



NOTES:

- **EC-VIL-GROM-B** GROMMET SPECIFIED SEPARATELY **SEE PAGE-117**
- **72" POWER CORD**

TO ORDER, SPECIFY:

- PART NUMBER

DESCRIPTION	PART NUMBER	LIST PRICE
BLACK DESKTOP POWER MODULE WITH 5QTY POWER AND 2QTY DATA KNOCKOUTS	EN-VIL2-CN-DKOB-72	\$485



TOP INFEED

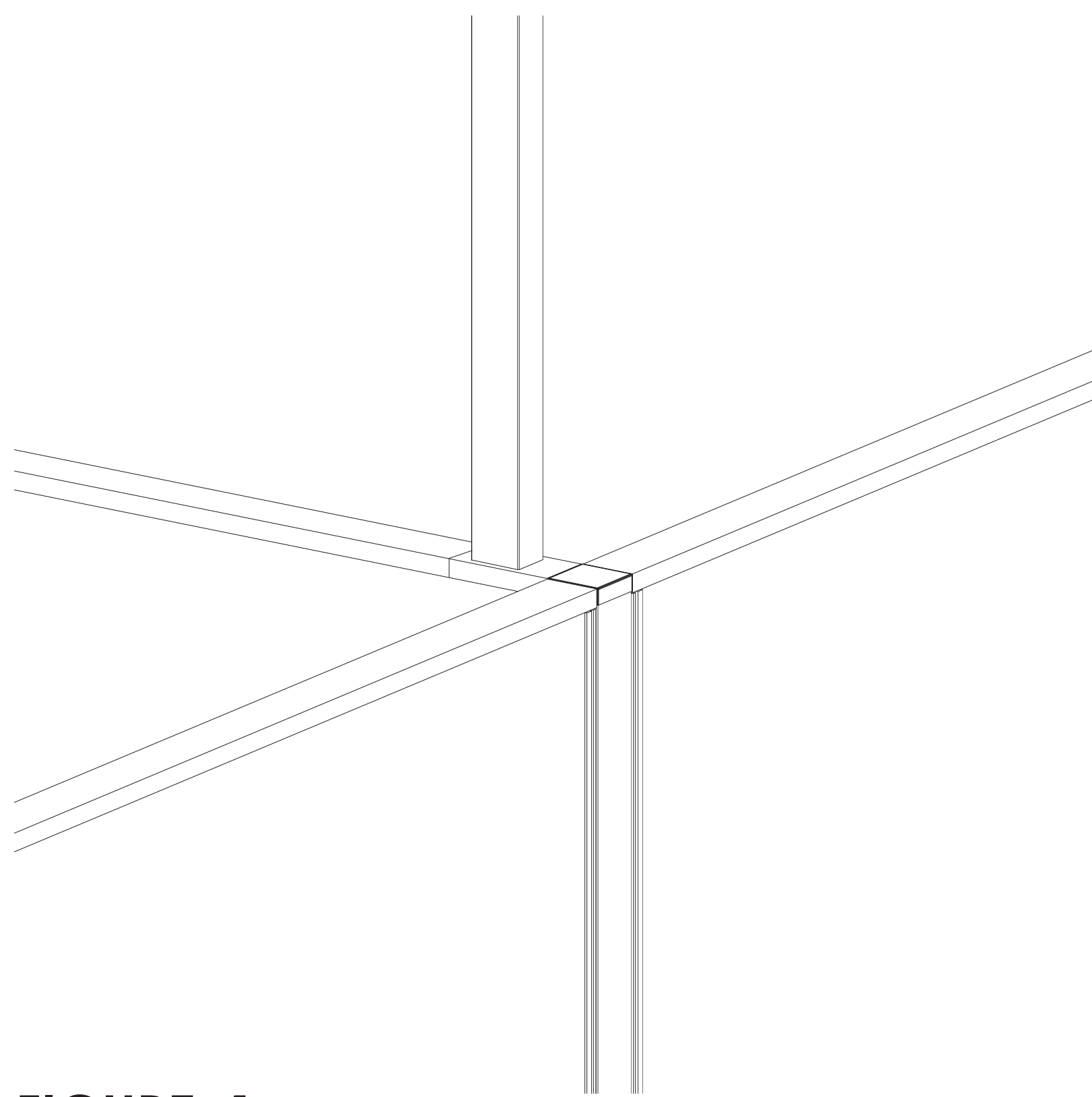


FIGURE: 1

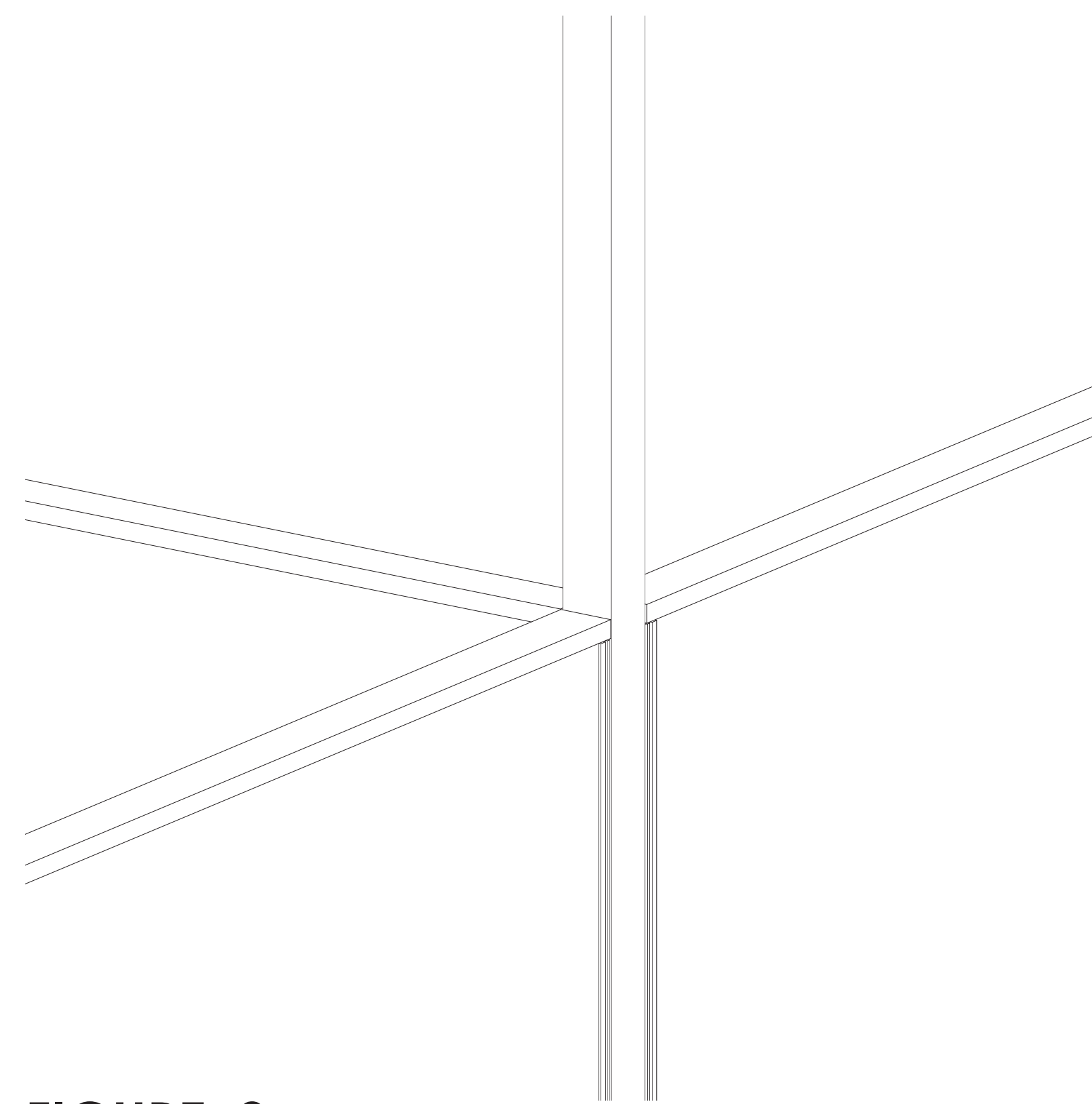


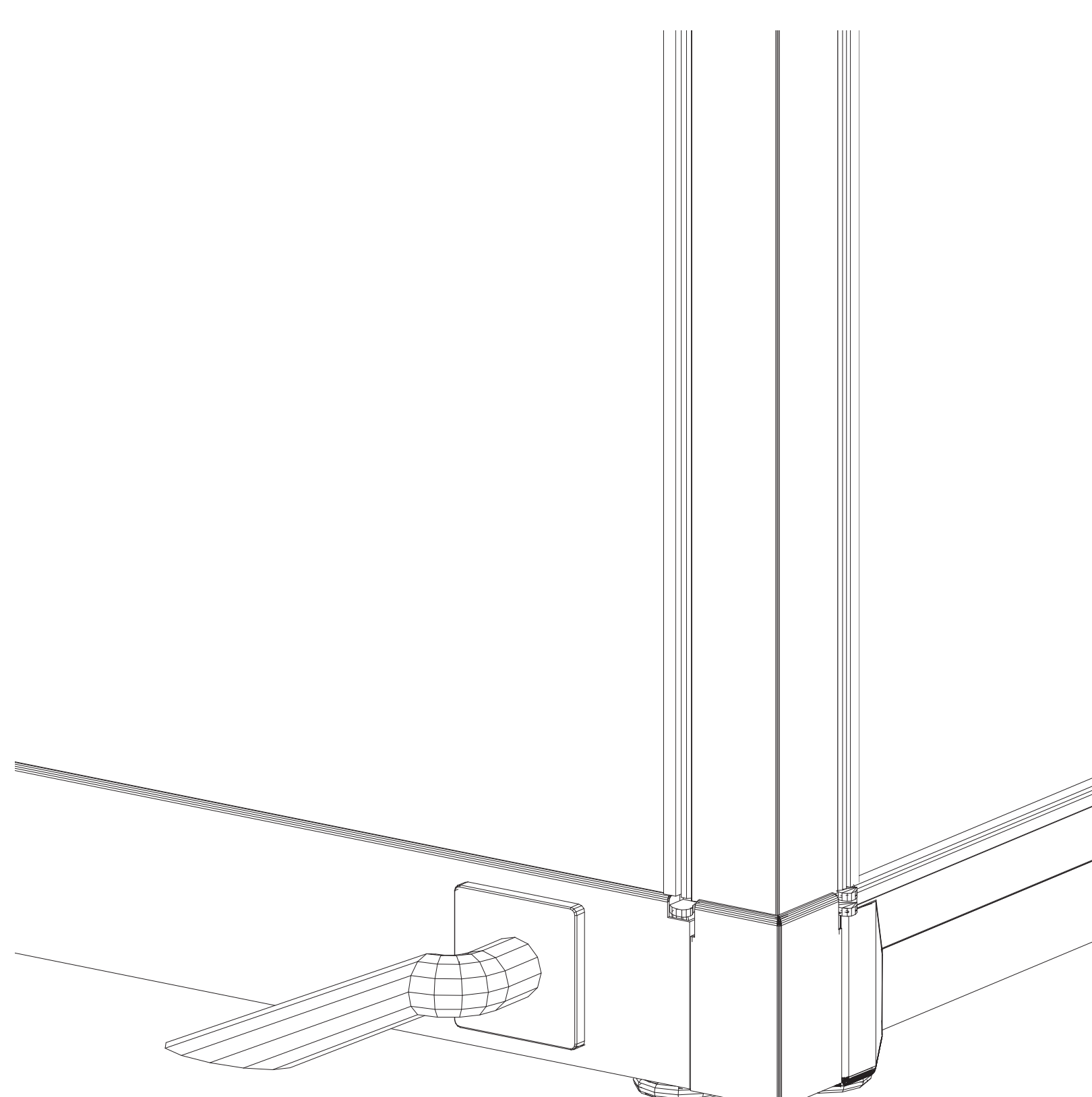
FIGURE: 2

TO ORDER, SPECIFY:

- PART NUMBER
- PAINT COLOR

POLE HEIGHT	WIRE LENGTH	CONNECTION TYPE	PART NUMBER	LIST PRICE
90"	168"	INSTALLS INSIDE THE PANEL (SEE FIGURE-1)	ECSQ-HP-TFM-14	\$1260
144"	168"	INSTALLS INSIDE THE PANEL (SEE FIGURE-1)	ECSQ-HP-TFM-12-14	\$1623
120"	168"	INSTALLS IN A 2-WAY CONNECTION	ECSQ-TFM-GLAO-2WAY	\$1623
120"	168"	INSTALLS IN A 3-WAY CONNECTION (SEE FIGURE-2)	ECSQ-TFM-GLAO-3WAY	\$1623
120"	168"	INSTALLS IN A 4-WAY	ECSQ-TFM-GLAO-4WAY	\$1623
120"	168"	INSTALLS NEXT TO THE END OF A PANEL	EC-TFM-GLAO-EOR	\$1623

BASE INFEED



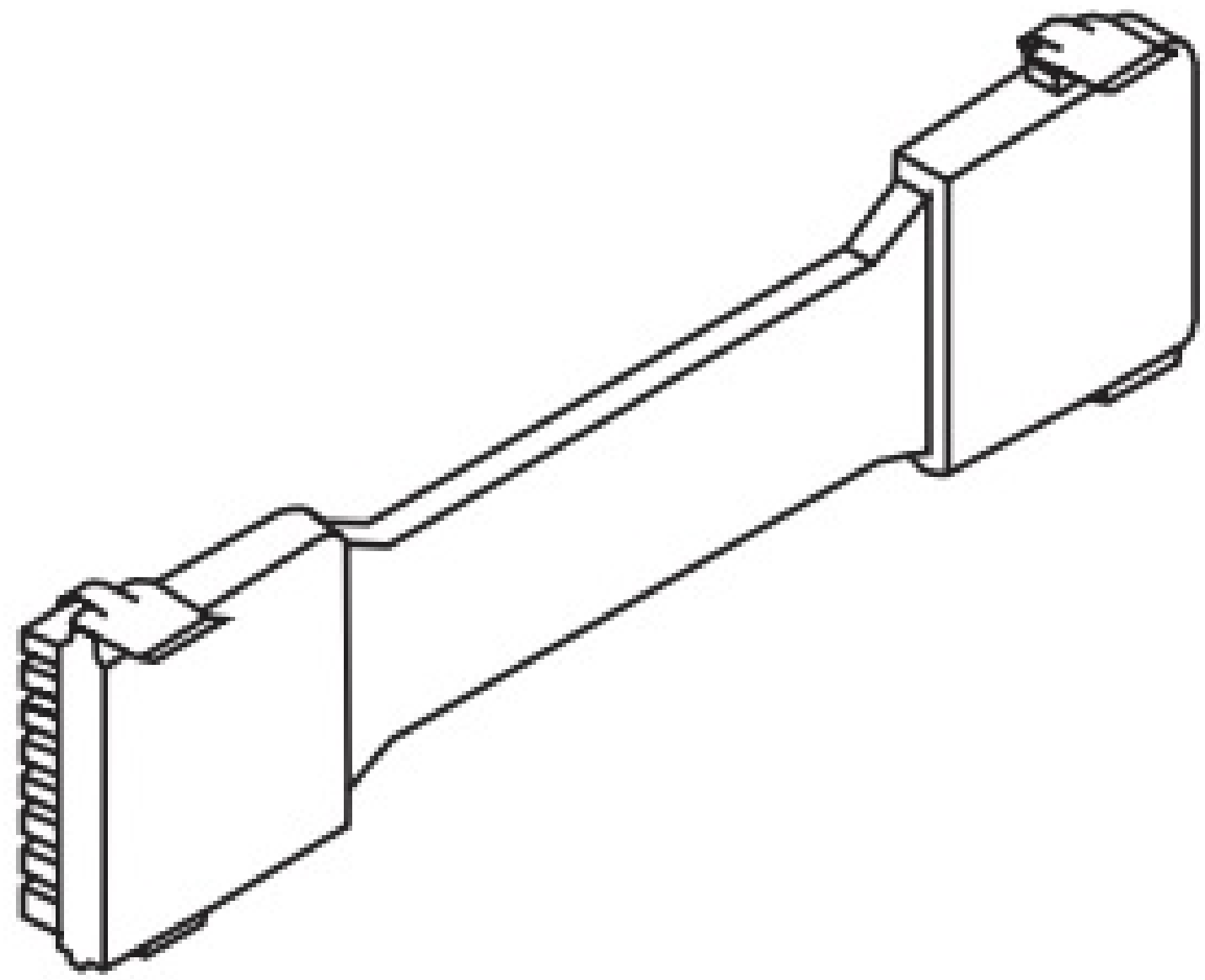
TO ORDER, SPECIFY:

- PART NUMBER
- PAINT COLOR

INFEED LENGTH	CONNECTION TYPE	PART NUMBER	LIST PRICE
48"	CONNECTS TO RECEPTACLE LOCATION (SHOWN ABOVE)	EC-BFM-1	\$457



POWER CONNECTORS

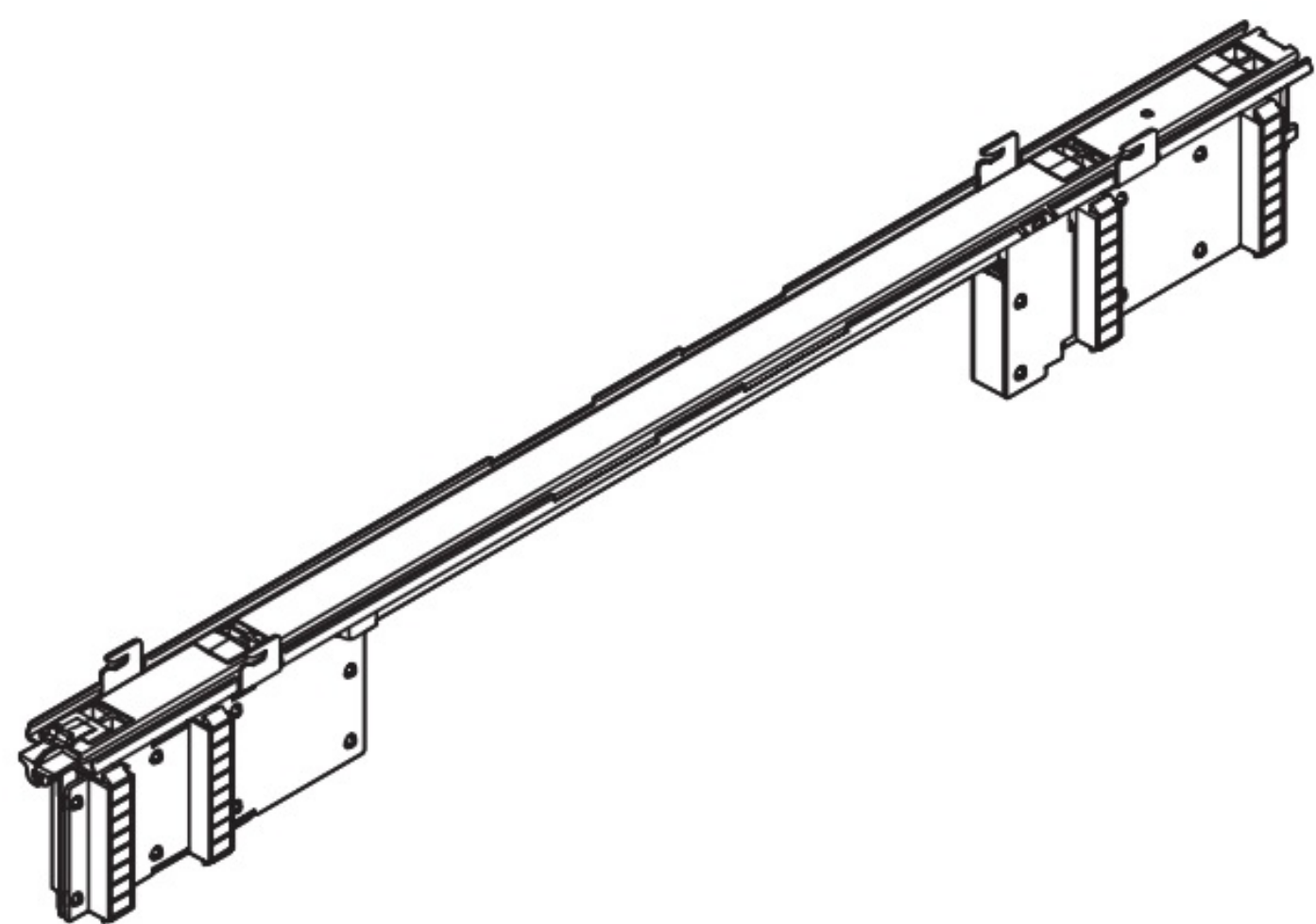


TO ORDER, SPECIFY:

- PART NUMBER

DESCRIPTION	PART NUMBER	LIST PRICE
POWER JUMPER USED TO JUMP NON-POWERED PANEL INTERSECTION	EC-PCSS-3	\$216
CONNECTS POWER FROM PANEL TO PANEL	EC-PCF-3	\$158
PASS THROUGH POWER STRIP FOR 12" WIDE PANELS. NOTE: THIS WILL NOT WORK NEXT TO A 3-WAY / 4-WAY	EC-PCOF-1	\$163

POWER CONVERSION KIT



FEATURES:

- CONVERTS NON-POWERED PANEL TO POWERED
- INCLUDES POWER STRIP, POWERED BASEPLATE, AND POWER CONNECTOR

TO ORDER, SPECIFY:

- PART NUMBER

WIDTH	PART NUMBER	LIST PRICE
18"	EC-RKP-18	\$394
24"	EC-RKP-24	\$394
30"	EC-RKP-30	\$394
36"	EC-RKP-36	\$394
42"	EC-RKP-42	\$394
48"	EC-RKP-48	\$394
60"	EC-RKP-60	\$394



DATA POLES

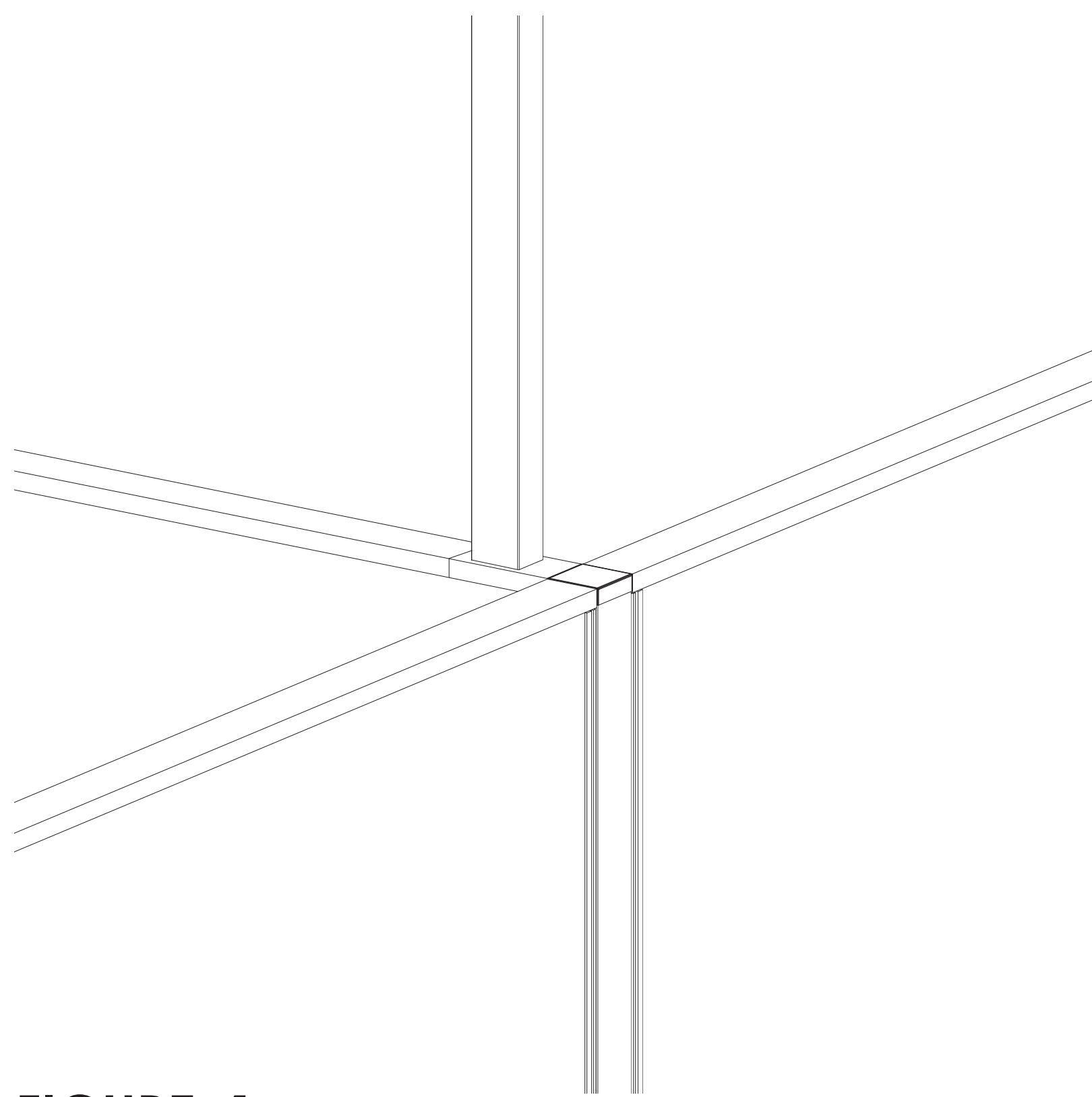


FIGURE: 1

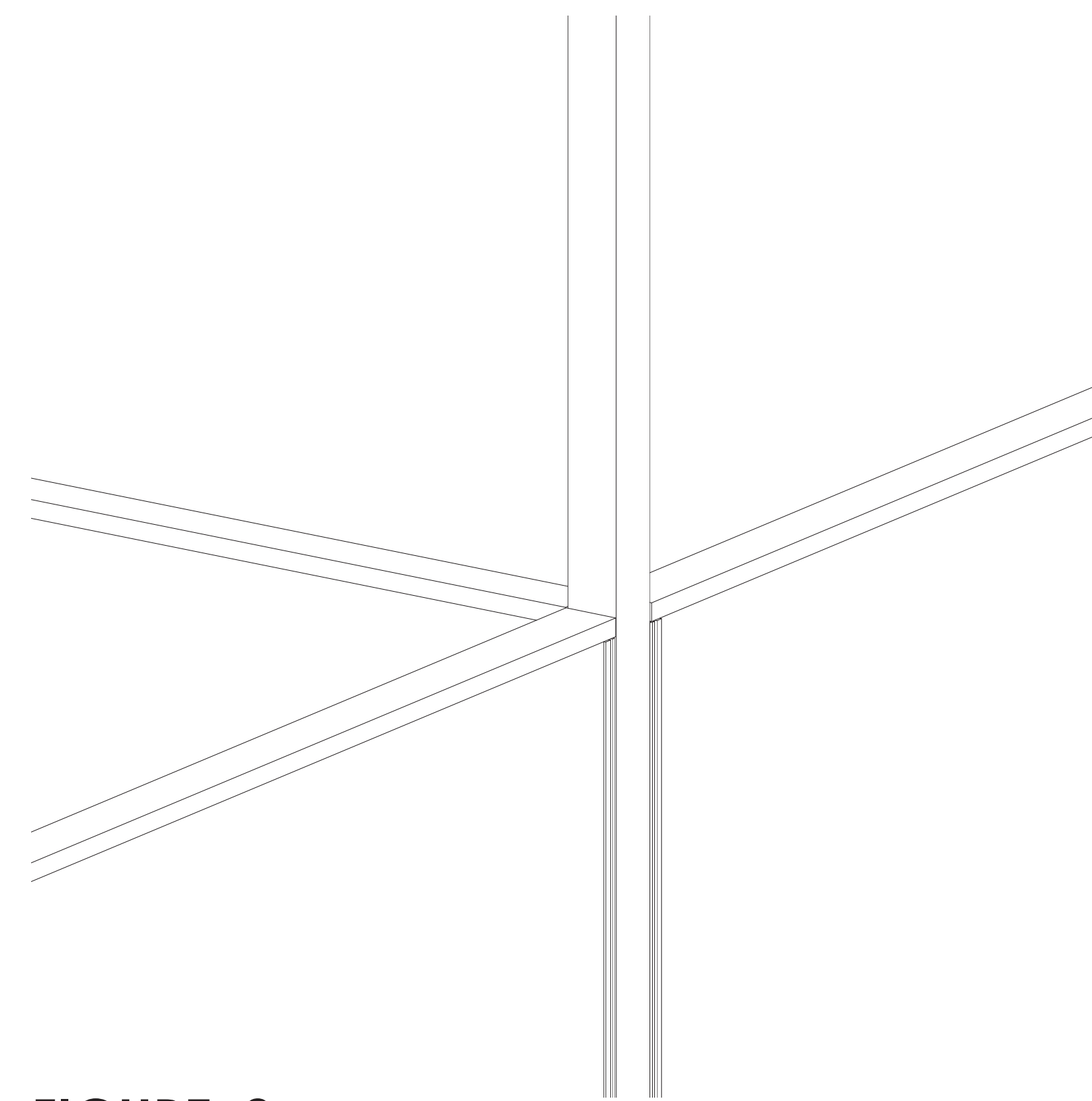


FIGURE: 2

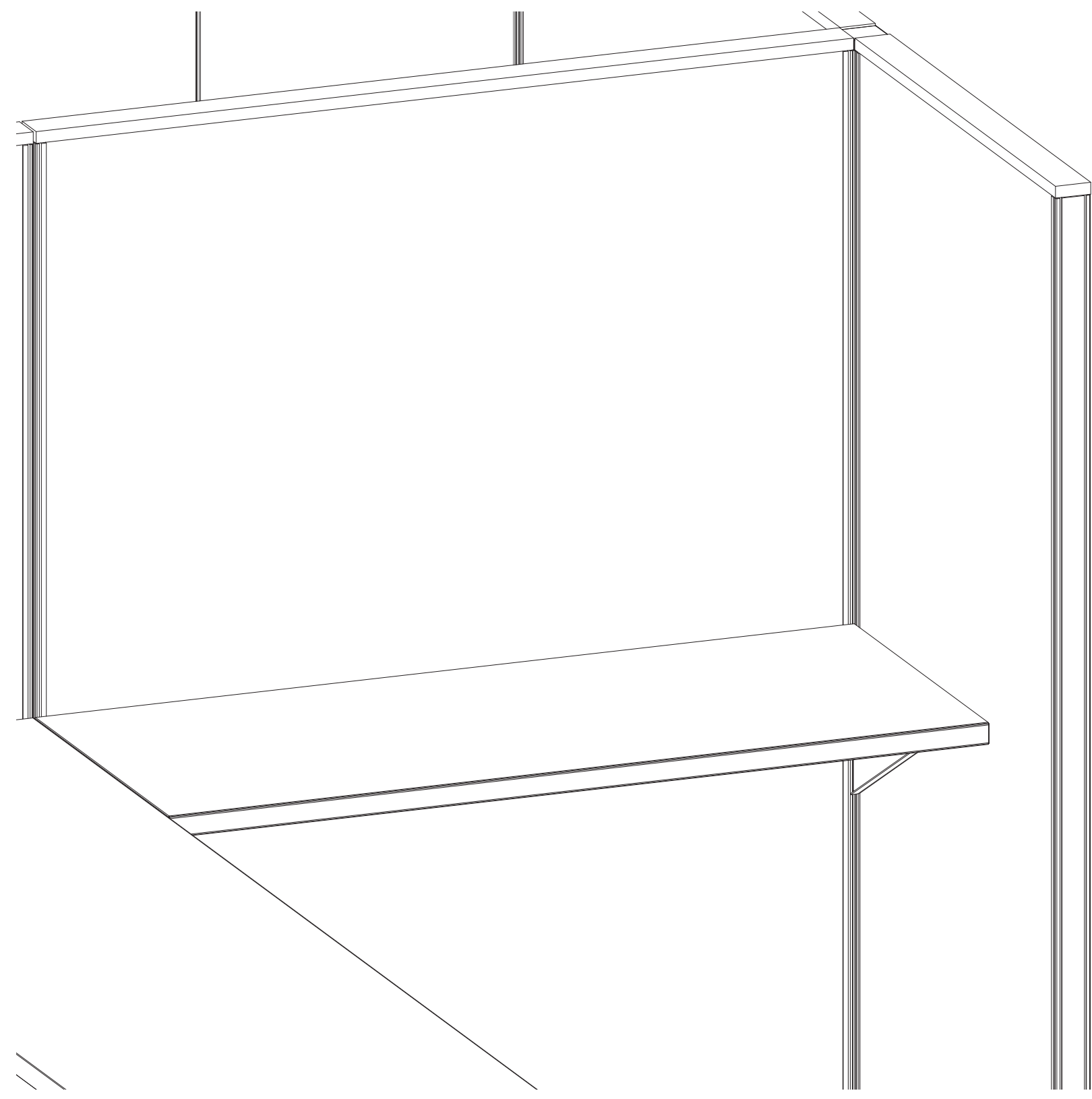
TO ORDER, SPECIFY:

- PART NUMBER
- PAINT COLOR

POLE HEIGHT	CONNECTION TYPE	PART NUMBER	LIST PRICE
90"	INSTALLS INSIDE THE PANEL (SEE FIGURE-1)	ECSQ-HP-CMP-90	\$216
144"	INSTALLS INSIDE THE PANEL (SEE FIGURE-1)	ECSQ-HP-CMP-144	\$273
120"	INSTALLS IN A 2-WAY CONNECTION	ECSQ-CMP-GLAO-2WAY	\$867
120"	INSTALLS IN A 3-WAY CONNECTION (SEE FIGURE-2)	ECSQ-CMP-GLAO-3WAY	\$867
120"	INSTALLS IN A 4-WAY	ECSQ-CMP-GLAO-4WAY	\$867
120"	INSTALLS NEXT TO THE END OF A PANEL	EC-CMP-GLAO-EOR	\$867



20" DEEP STRAIGHT SURFACES



FEATURES:

- 3mm EDGE

TO ORDER, SPECIFY:

- PART NUMBER / SIZE
- LAMINATE COLOR

PART: ECSQ-WS-3020-T



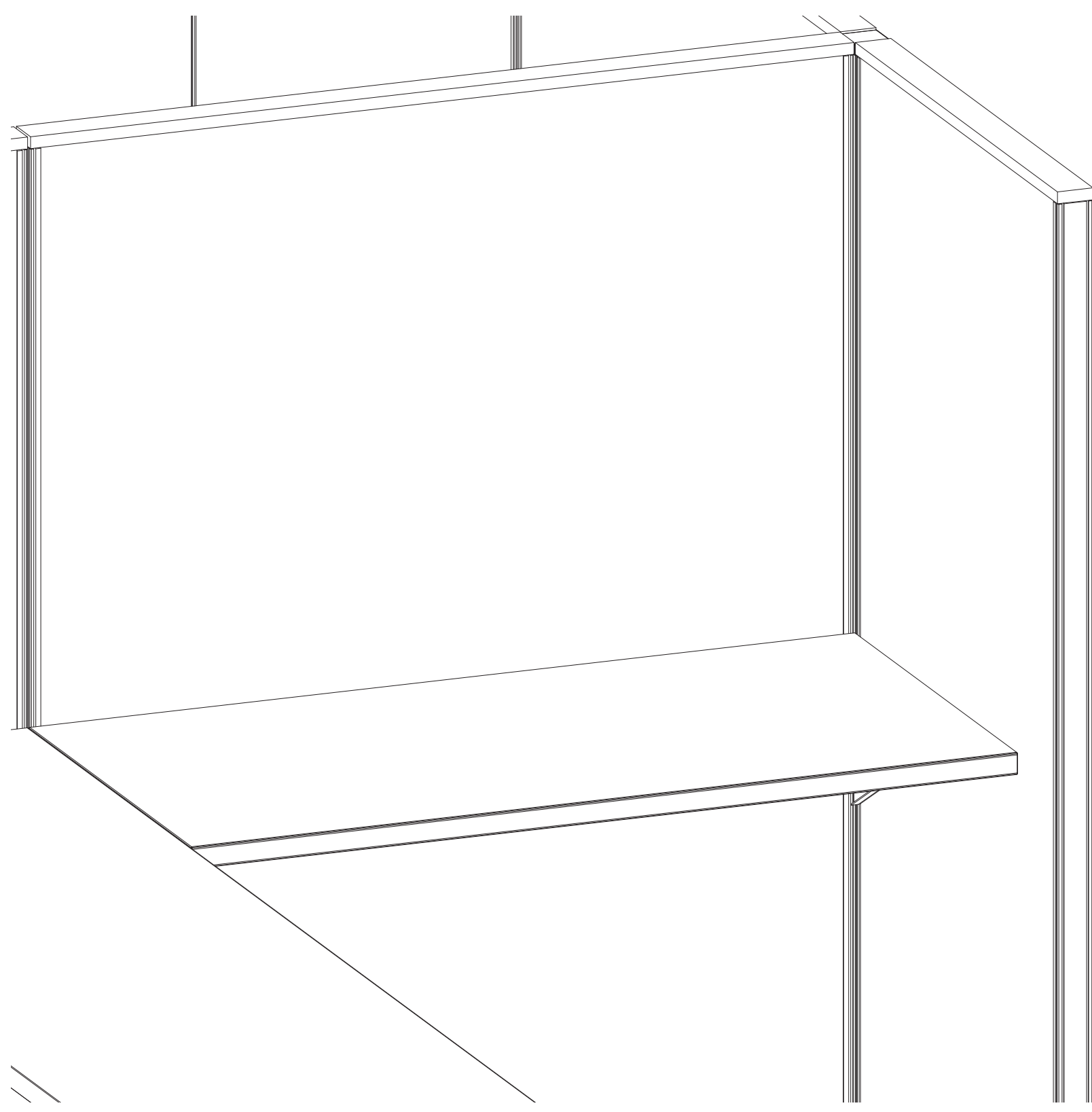
WIDTH	DEPTH	PART NUMBER	LIST PRICE
23.9375"	20"	ECSQ-WS-220-T	\$139
29.9375"	20"	ECSQ-WS-3020-T	\$162
35.9375"	20"	ECSQ-WS-320-T	\$192
41.9375"	20"	ECSQ-WS-4220-T	\$208
47.9375"	20" (SHOWN ABOVE)	ECSQ-WS-420-T	\$220
59.9375"	20"	ECSQ-WS-520-T	\$261
71.9375"	20"	ECSQ-WS-620-T	\$365
95.9375"	20"	ECSQ-WS-820-T	\$446

NOTES:

- SUPPORT BRACKETS SPECIFIED SEPARATELY



24" DEEP STRAIGHT SURFACES



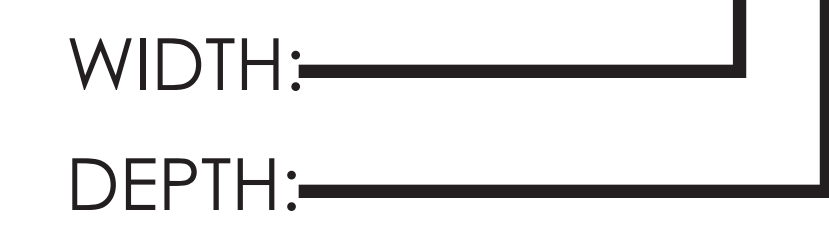
FEATURES:

- 3mm EDGE

TO ORDER, SPECIFY:

- PART NUMBER / SIZE
- LAMINATE COLOR

PART: ECSQ-WS-3024-T



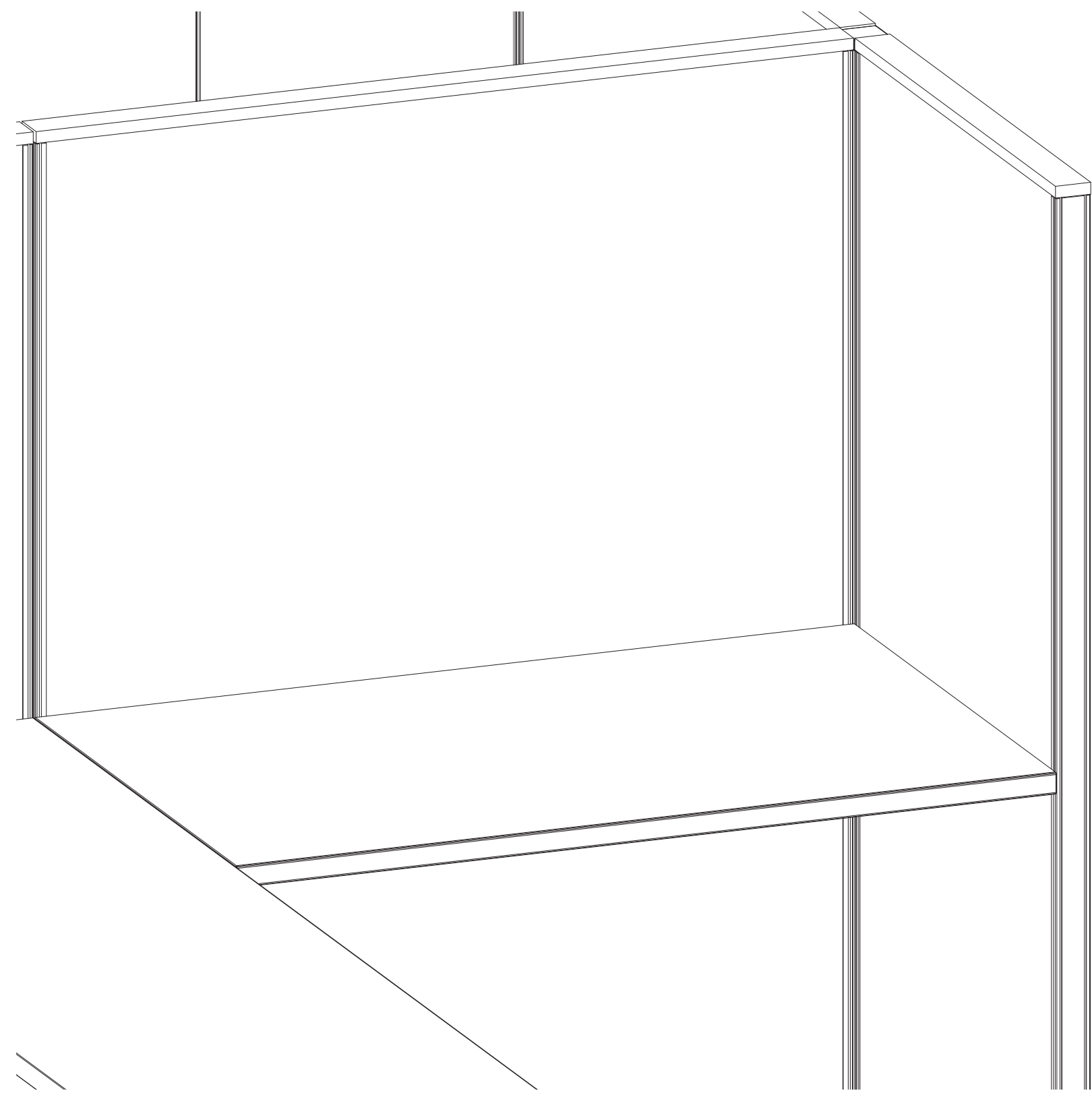
WIDTH	DEPTH	PART NUMBER	LIST PRICE
23.9375"	23.125"	ECSQ-WS-224-T	\$145
29.9375"	23.125"	ECSQ-WS-3024-T	\$168
35.9375"	23.125"	ECSQ-WS-324-T	\$192
41.9375"	23.125"	ECSQ-WS-4224-T	\$220
47.9375"	23.125" (SHOWN ABOVE)	ECSQ-WS-424-T	\$226
59.9375"	23.125"	ECSQ-WS-524-T	\$266
65.9375"	23.125"	ECSQ-WS-6624-T	\$370
71.9375"	23.125"	ECSQ-WS-624-T	\$423
83.9375"	23.125"	ECSQ-WS-724-T	\$492
95.9375"	23.125"	ECSQ-WS-824-T	\$492

NOTES:

- SUPPORT BRACKET SPECIFIED SEPARATELY



30" DEEP STRAIGHT SURFACES



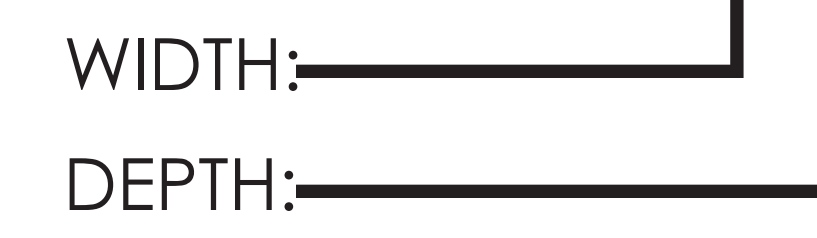
FEATURES:

- 3mm EDGE

TO ORDER, SPECIFY:

- PART NUMBER / SIZE
- LAMINATE COLOR

PART: ECSQ-WS-3030-T



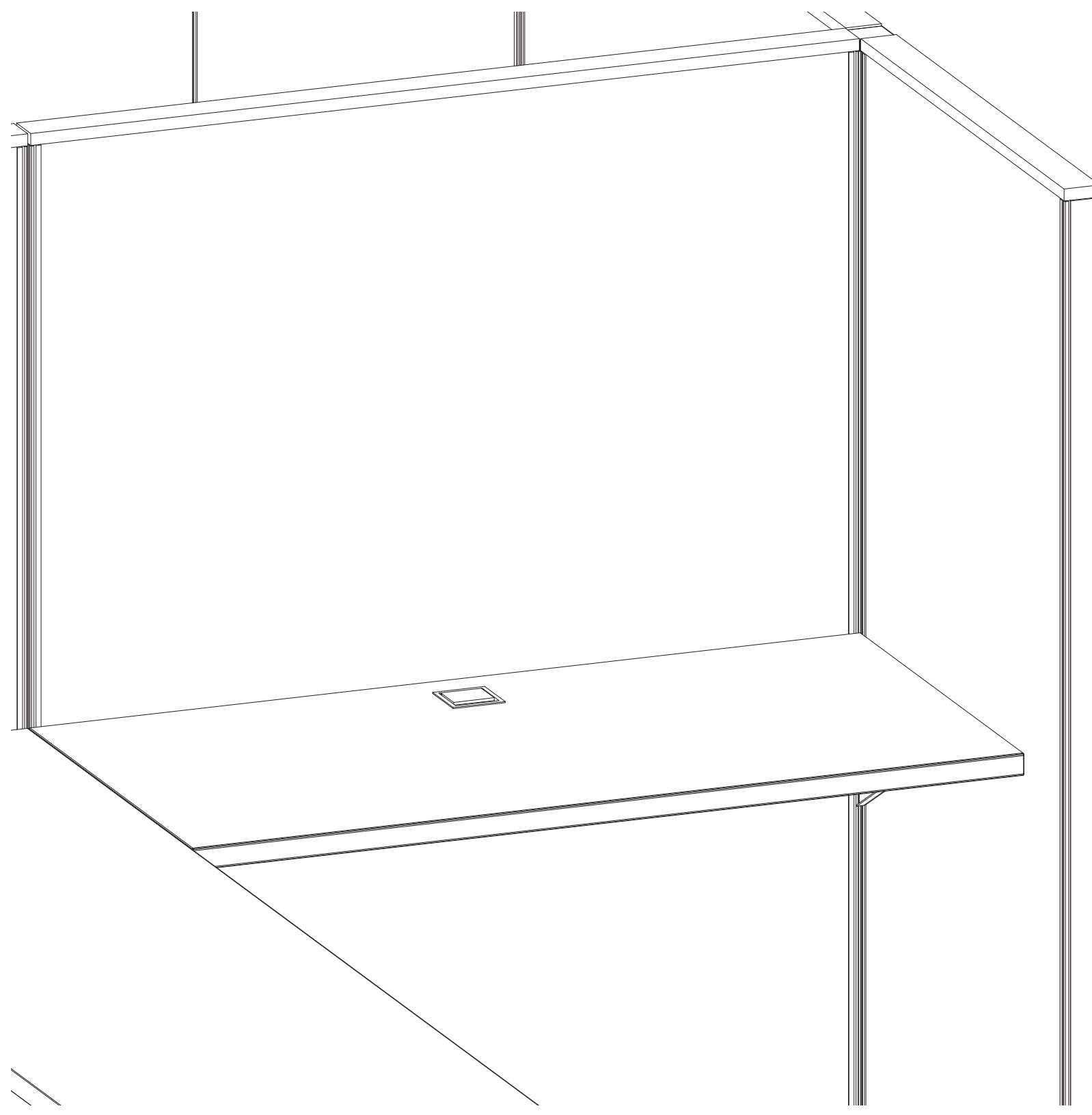
WIDTH	DEPTH	PART NUMBER	LIST PRICE
23.9375"	29.125"	ECSQ-WS-230-T	\$203
29.9375"	29.125"	ECSQ-WS-3030-T	\$220
35.9375"	29.125"	ECSQ-WS-330-T	\$238
41.9375"	29.125"	ECSQ-WS-4230-T	\$266
47.9375"	29.125" (SHOWN ABOVE)	ECSQ-WS-430-T	\$296
59.9375"	29.125"	ECSQ-WS-530-T	\$353
65.9375"	29.125"	ECSQ-WS-6630-T	\$408
71.9375"	29.125"	ECSQ-WS-630-T	\$439
83.9375"	29.125"	ECSQ-WS-730-T	\$509
95.9375"	29.125"	ECSQ-WS-830-T	\$509

NOTES:

- SUPPORT BRACKETS SPECIFIED SEPARATELY



24" DEEP STRAIGHT CENTER GROMMET SURFACES



FEATURES:

- 3mm EDGE

TO ORDER, SPECIFY:

- PART NUMBER / SIZE
- LAMINATE COLOR

PART: ECSQ-WS-3024-T-G



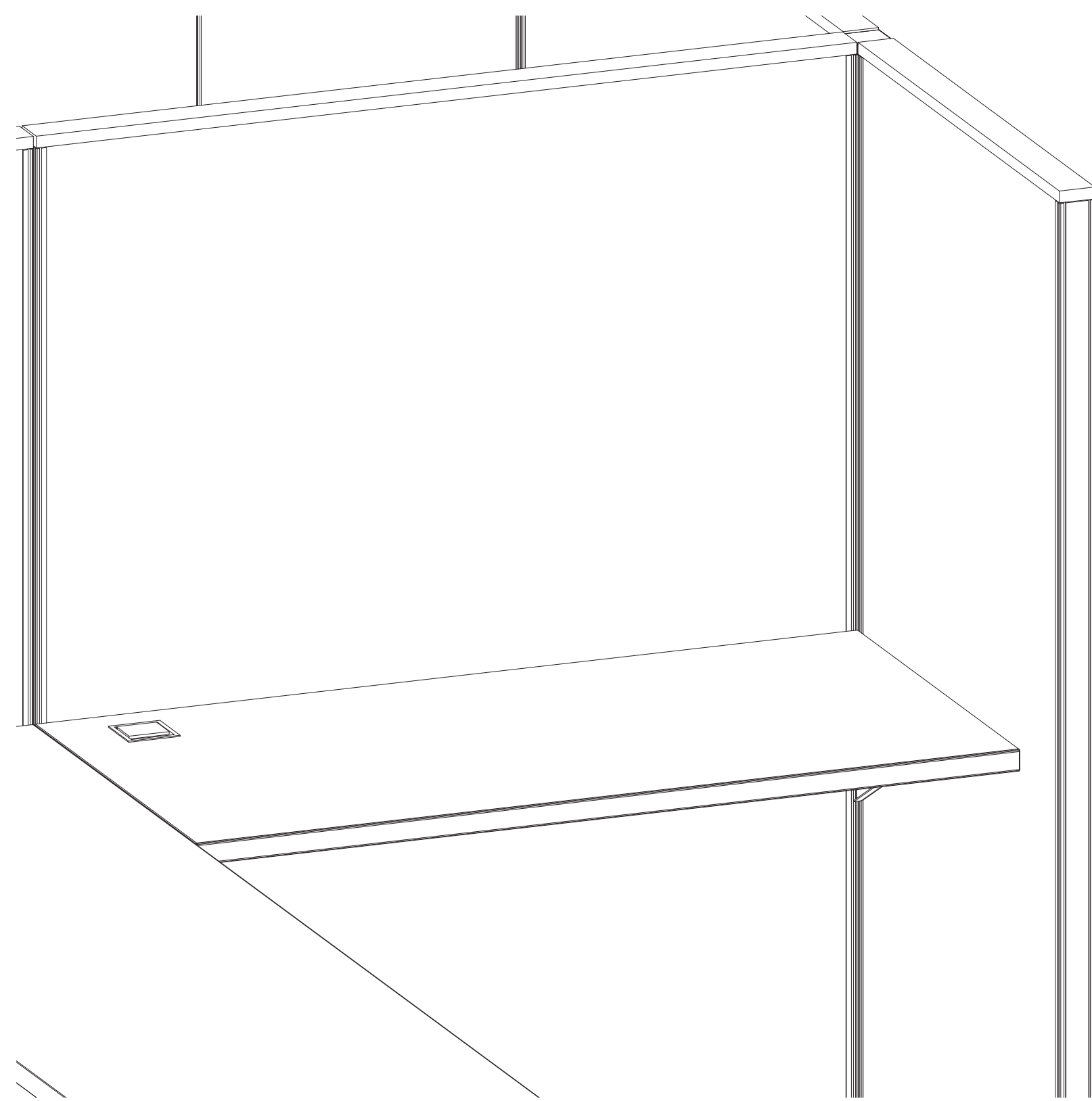
WIDTH	DEPTH	GROMMET LOCATION	PART NUMBER	LIST PRICE
29.9375"	23.125"	CENTER	ECSQ-WS-3024-T-G	\$223
35.9375"	23.125"	CENTER	ECSQ-WS-324-T-G	\$223
41.9375"	23.125"	CENTER	ECSQ-WS-4224-T-G	\$251
47.9375"	23.125"	CENTER (SHOWN ABOVE)	ECSQ-WS-424-T-G	\$258
59.9375"	23.125"	CENTER	ECSQ-WS-524-T-G	\$298
65.9375"	23.125"	CENTER	ECSQ-WS-6624-T-G	\$402
71.9375"	23.125"	CENTER	ECSQ-WS-624-T-G	\$454
83.9375"	23.125"	CENTER	ECSQ-WS-724-T-G	\$523
95.9375"	23.125"	CENTER	ECSQ-WS-824-T-G	\$523

NOTES:

- SUPPORT BRACKET SPECIFIED SEPARATELY



24" DEEP STRAIGHT LEFT GROMMET SURFACES



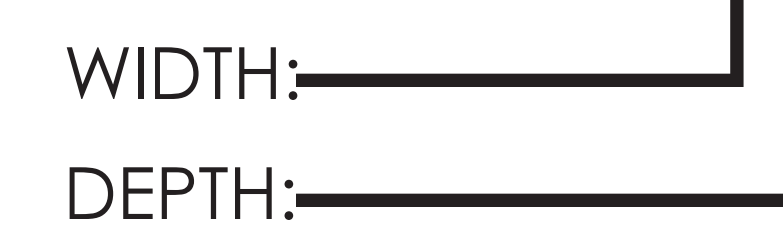
FEATURES:

- 3mm EDGE

TO ORDER, SPECIFY:

- PART NUMBER / SIZE
- LAMINATE COLOR

PART: ECSQ-WS-3024-T-G-L



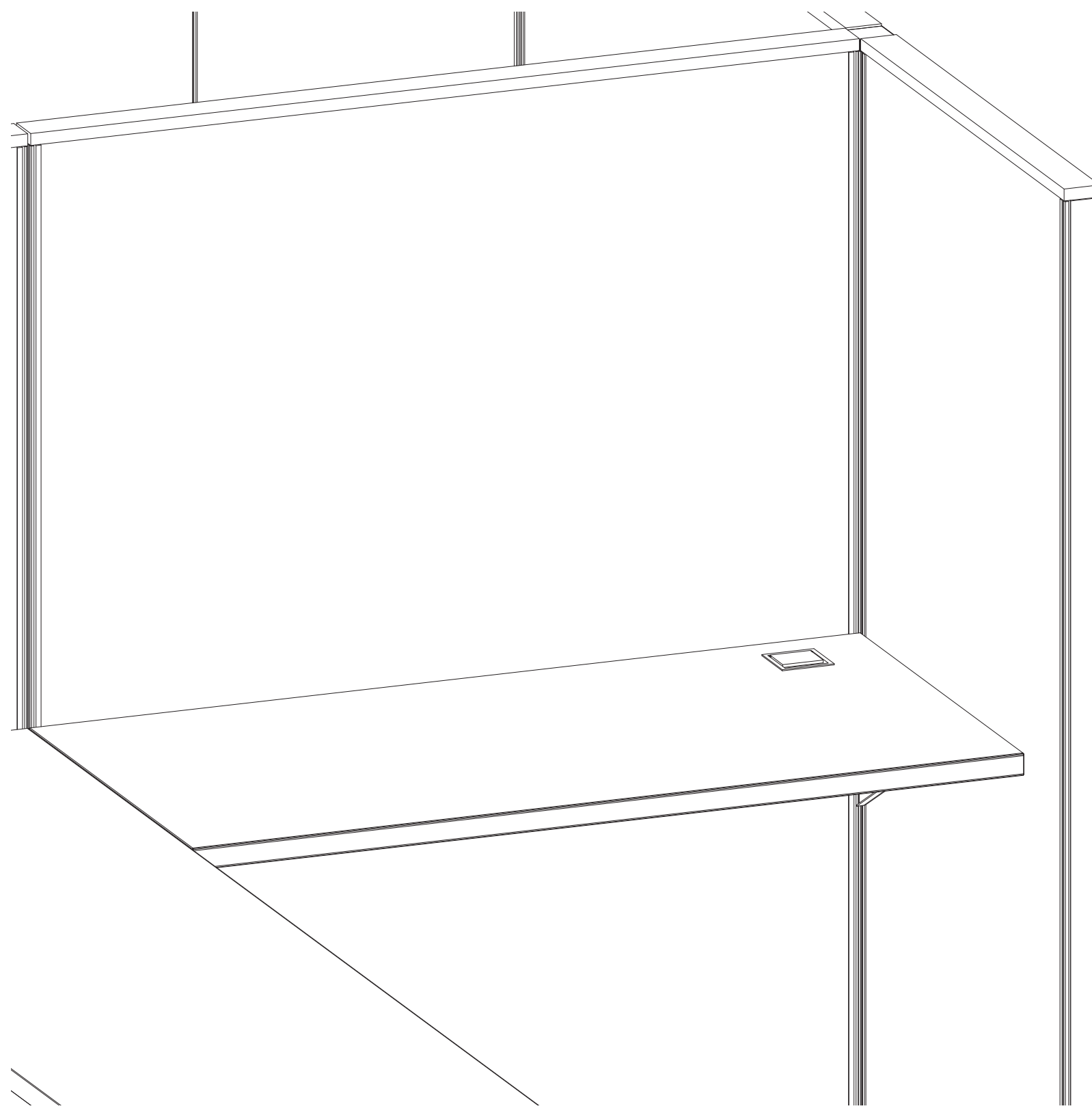
WIDTH	DEPTH	GROMMET LOCATION	PART NUMBER	LIST PRICE
29.9375"	23.125"	LEFT	ECSQ-WS-3024-T-G-L	\$223
35.9375"	23.125"	LEFT	ECSQ-WS-324-T-G-L	\$223
41.9375"	23.125"	LEFT	ECSQ-WS-4224-T-G-L	\$251
47.9375"	23.125"	LEFT (SHOWN ABOVE)	ECSQ-WS-424-T-G-L	\$258
59.9375"	23.125"	LEFT	ECSQ-WS-524-T-G-L	\$298
65.9375"	23.125"	LEFT	ECSQ-WS-6624-T-G-L	\$402
71.9375"	23.125"	LEFT	ECSQ-WS-624-T-G-L	\$454
83.9375"	23.125"	LEFT	ECSQ-WS-724-T-G-L	\$523
95.9375"	23.125"	LEFT	ECSQ-WS-824-T-G-L	\$523

NOTES:

- SUPPORT BRACKETS SPECIFIED SEPARATELY



24" DEEP STRAIGHT RIGHT GROMMET SURFACES



FEATURES:

- 3mm EDGE

TO ORDER, SPECIFY:

- PART NUMBER / SIZE
- LAMINATE COLOR

PART: ECSQ-WS-3024-T-G-R

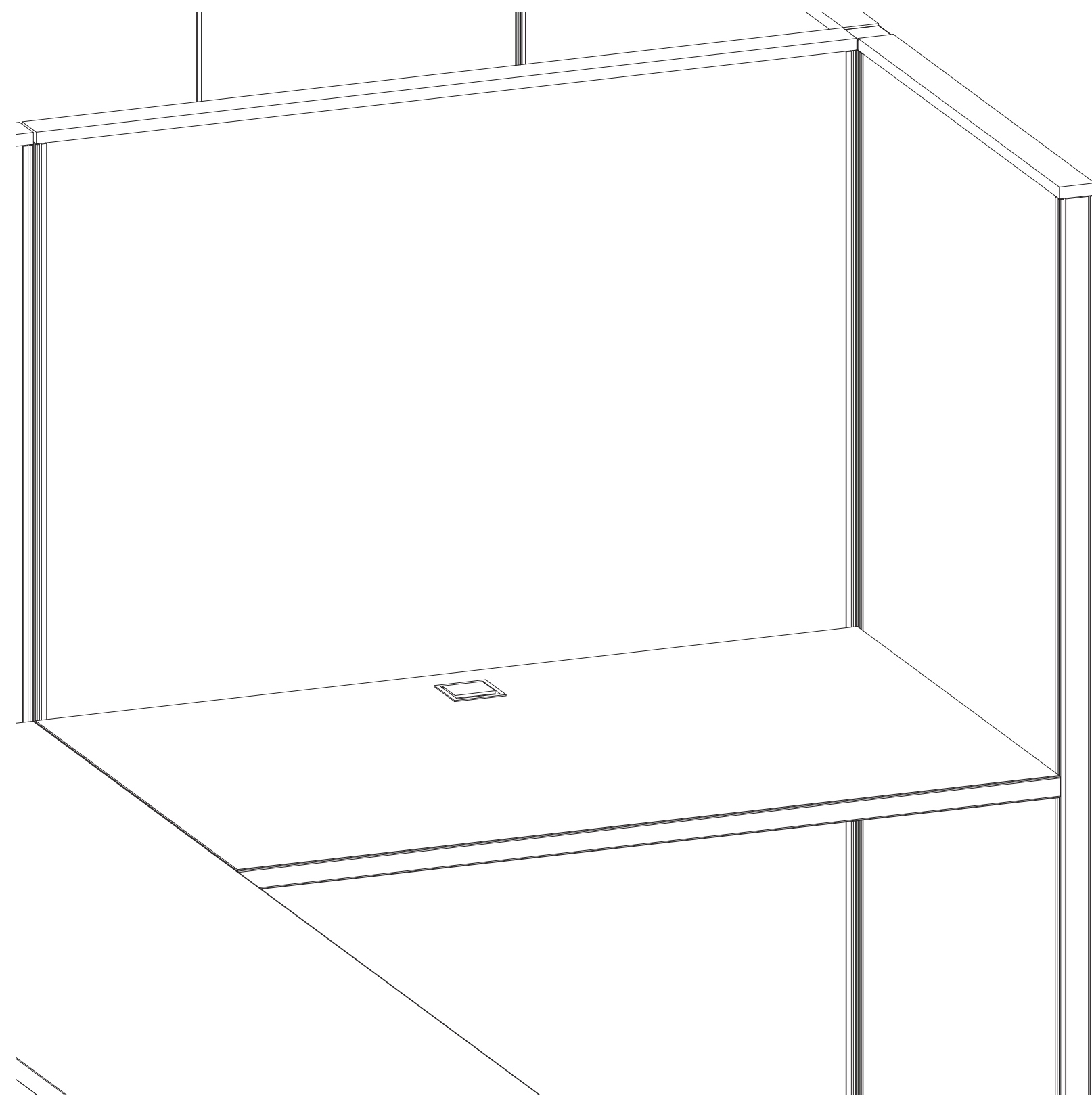


WIDTH	DEPTH	GROMMET LOCATION	PART NUMBER	LIST PRICE
29.9375"	23.125"	RIGHT	ECSQ-WS-3024-T-G-R	\$223
35.9375"	23.125"	RIGHT	ECSQ-WS-324-T-G-R	\$223
41.9375"	23.125"	RIGHT	ECSQ-WS-4224-T-G-R	\$251
47.9375"	23.125"	RIGHT (SHOWN ABOVE)	ECSQ-WS-424-T-G-R	\$258
59.9375"	23.125"	RIGHT	ECSQ-WS-524-T-G-R	\$298
65.9375"	23.125"	RIGHT	ECSQ-WS-6624-T-G-R	\$402
71.9375"	23.125"	RIGHT	ECSQ-WS-624-T-G-R	\$454
83.9375"	23.125"	RIGHT	ECSQ-WS-724-T-G-R	\$523
95.9375"	23.125"	RIGHT	ECSQ-WS-824-T-G-R	\$523

NOTES:

- SUPPORT BRACKET SPECIFIED SEPARATELY

30" DEEP STRAIGHT CENTER GROMMET SURFACES



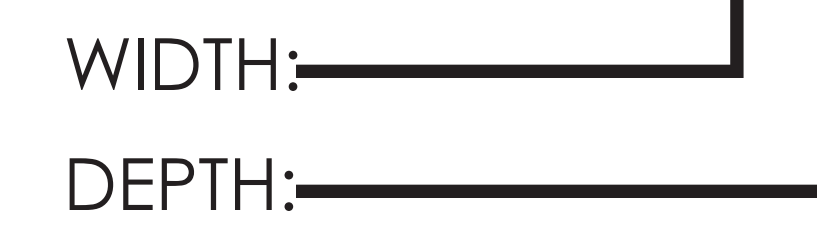
FEATURES:

- 3mm EDGE

TO ORDER, SPECIFY:

- PART NUMBER / SIZE
- LAMINATE COLOR

PART: ECSQ-WS-3030-T-G



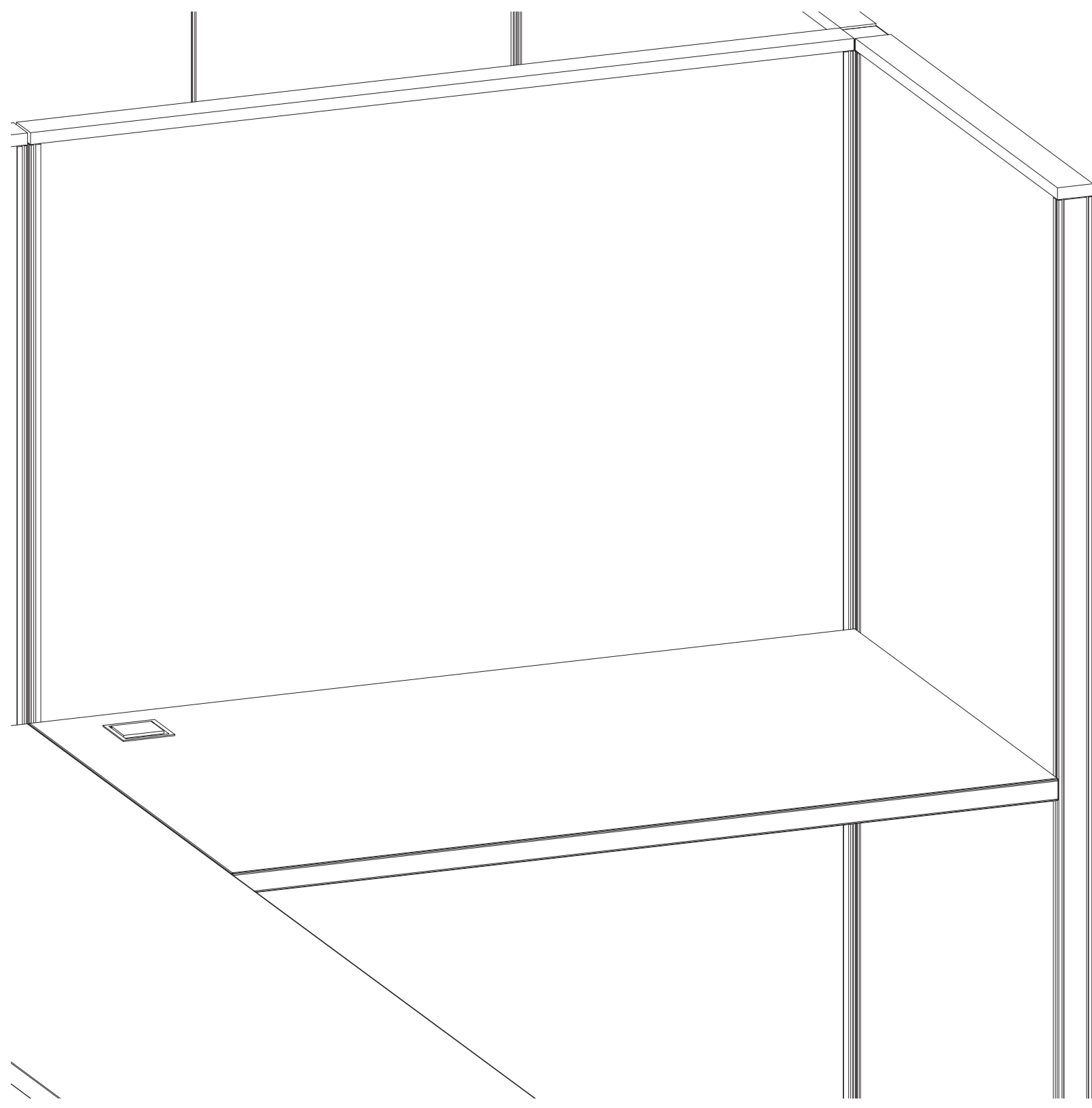
WIDTH	DEPTH	GROMMET LOCATION	PART NUMBER	LIST PRICE
29.9375"	29.125"	CENTER	ECSQ-WS-3030-T-G	\$251
35.9375"	29.125"	CENTER	ECSQ-WS-330-T-G	\$269
41.9375"	29.125"	CENTER	ECSQ-WS-4230-T-G	\$298
47.9375"	29.125"	CENTER (SHOWN ABOVE)	ECSQ-WS-430-T-G	\$327
59.9375"	29.125"	CENTER	ECSQ-WS-530-T-G	\$385
65.9375"	29.125"	CENTER	ECSQ-WS-6630-T-G	\$439
71.9375"	29.125"	CENTER	ECSQ-WS-630-T-G	\$471
83.9375"	29.125"	CENTER	ECSQ-WS-730-T-G	\$540
95.9375"	29.125"	CENTER	ECSQ-WS-830-T-G	\$540

NOTES:

- SUPPORT BRACKETS SPECIFIED SEPARATELY



30" DEEP STRAIGHT LEFT GROMMET SURFACES



FEATURES:

- 3mm EDGE

TO ORDER, SPECIFY:

- PART NUMBER / SIZE
- LAMINATE COLOR

PART: ECSQ-WS-3030-T-G-L

WIDTH: _____
DEPTH: _____

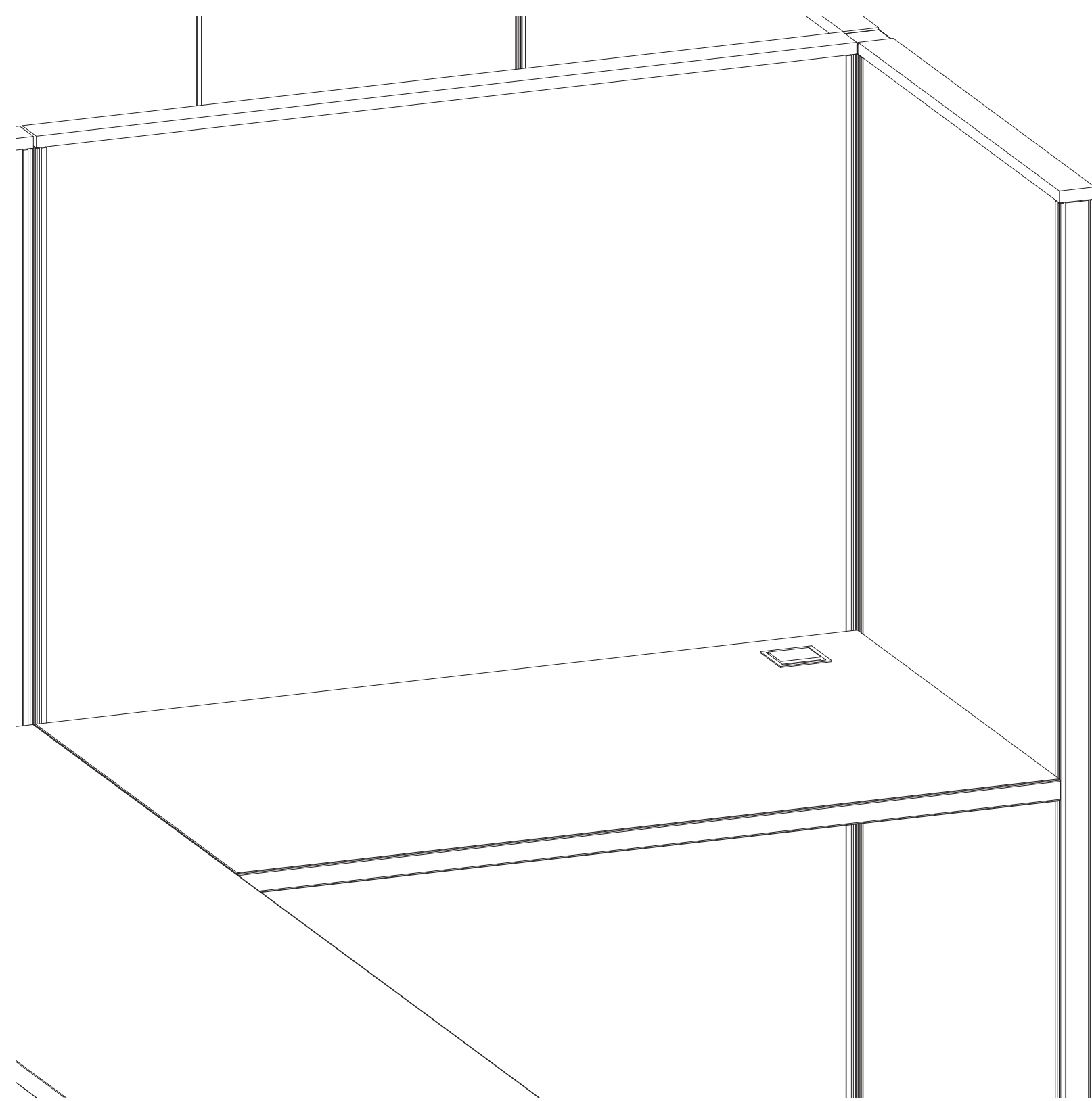
WIDTH	DEPTH	GROMMET LOCATION	PART NUMBER	LIST PRICE
29.9375"	29.125"	LEFT	ECSQ-WS-3030-T-G-L	\$251
35.9375"	29.125"	LEFT	ECSQ-WS-330-T-G-L	\$269
41.9375"	29.125"	LEFT	ECSQ-WS-4230-T-G-L	\$298
47.9375"	29.125"	LEFT (SHOWN ABOVE)	ECSQ-WS-430-T-G-L	\$327
59.9375"	29.125"	LEFT	ECSQ-WS-530-T-G-L	\$385
65.9375"	29.125"	LEFT	ECSQ-WS-6630-T-G-L	\$439
71.9375"	29.125"	LEFT	ECSQ-WS-630-T-G-L	\$471
83.9375"	29.125"	LEFT	ECSQ-WS-730-T-G-L	\$540
95.9375"	29.125"	LEFT	ECSQ-WS-830-T-G-L	\$540

NOTES:

- SUPPORT BRACKET SPECIFIED SEPARATELY



30" DEEP STRAIGHT RIGHT GROMMET SURFACES



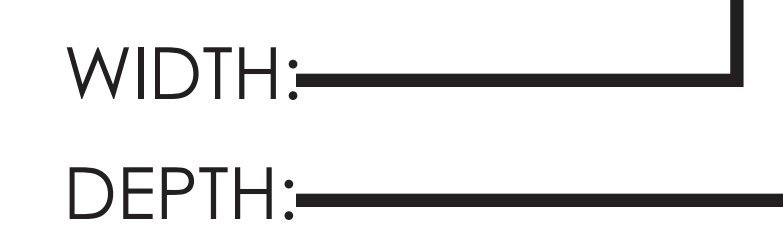
FEATURES:

- 3mm EDGE

TO ORDER, SPECIFY:

- PART NUMBER / SIZE
- LAMINATE COLOR

PART: ECSQ-WS-3030-T-G



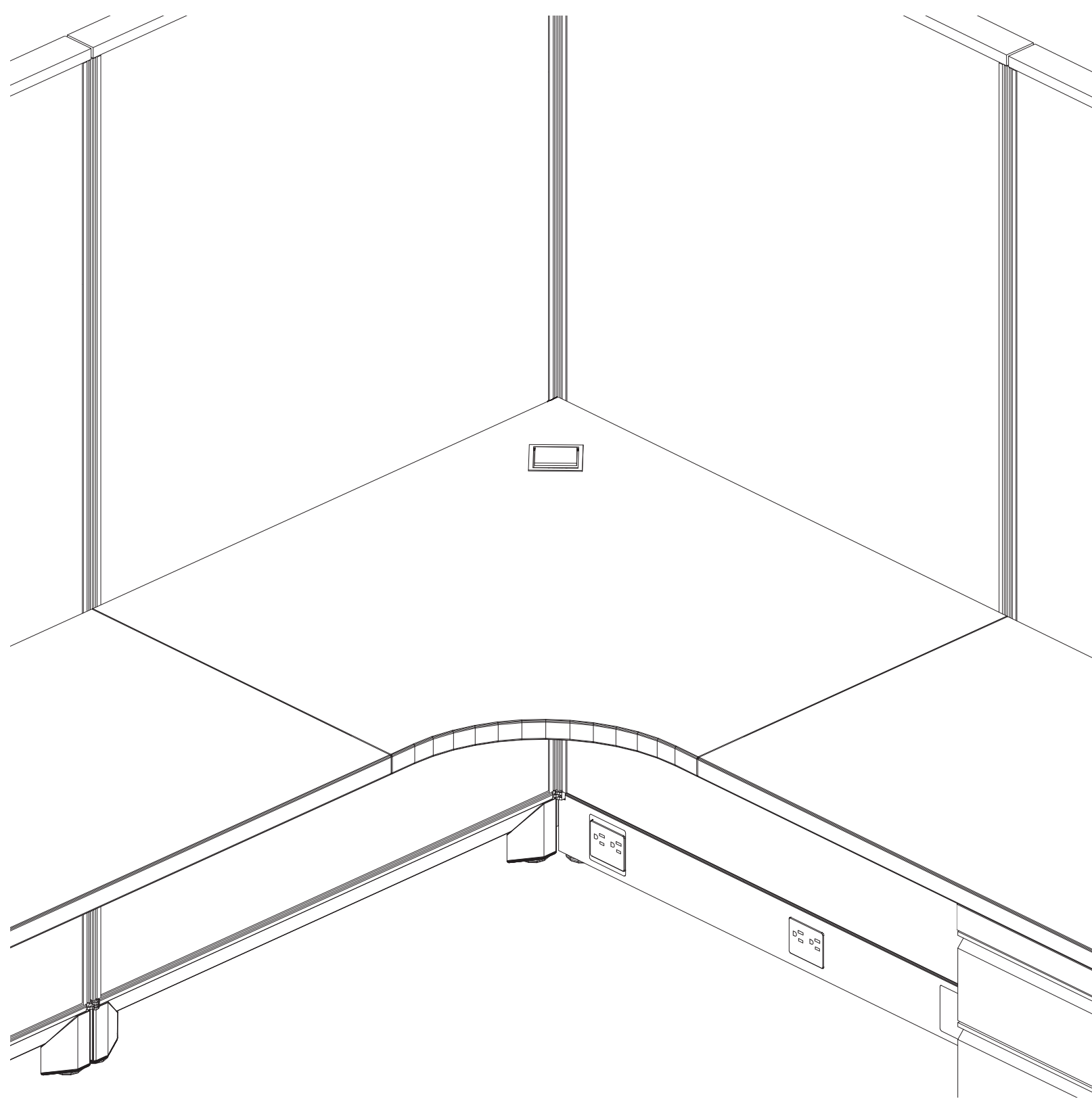
WIDTH	DEPTH	GROMMET LOCATION	PART NUMBER	LIST PRICE
29.9375"	29.125"	RIGHT	ECSQ-WS-3030-T-G-R	\$251
35.9375"	29.125"	RIGHT	ECSQ-WS-330-T-G-R	\$269
41.9375"	29.125"	RIGHT	ECSQ-WS-4230-T-G-R	\$298
47.9375"	29.125"	RIGHT (SHOWN ABOVE)	ECSQ-WS-430-T-G-R	\$327
59.9375"	29.125"	RIGHT	ECSQ-WS-530-T-G-R	\$385
65.9375"	29.125"	RIGHT	ECSQ-WS-6630-T-G-R	\$439
71.9375"	29.125"	RIGHT	ECSQ-WS-630-T-G-R	\$471
83.9375"	29.125"	RIGHT	ECSQ-WS-730-T-G-R	\$540
95.9375"	29.125"	RIGHT	ECSQ-WS-830-T-G-R	\$540

NOTES:

- SUPPORT BRACKETS SPECIFIED SEPARATELY



CURVED CORNER SURFACE



FEATURES:

- 3mm EDGE

TO ORDER, SPECIFY:

- PART NUMBER / SIZE
- LAMINATE COLOR

PART: ECSQ-WASC-4224-T



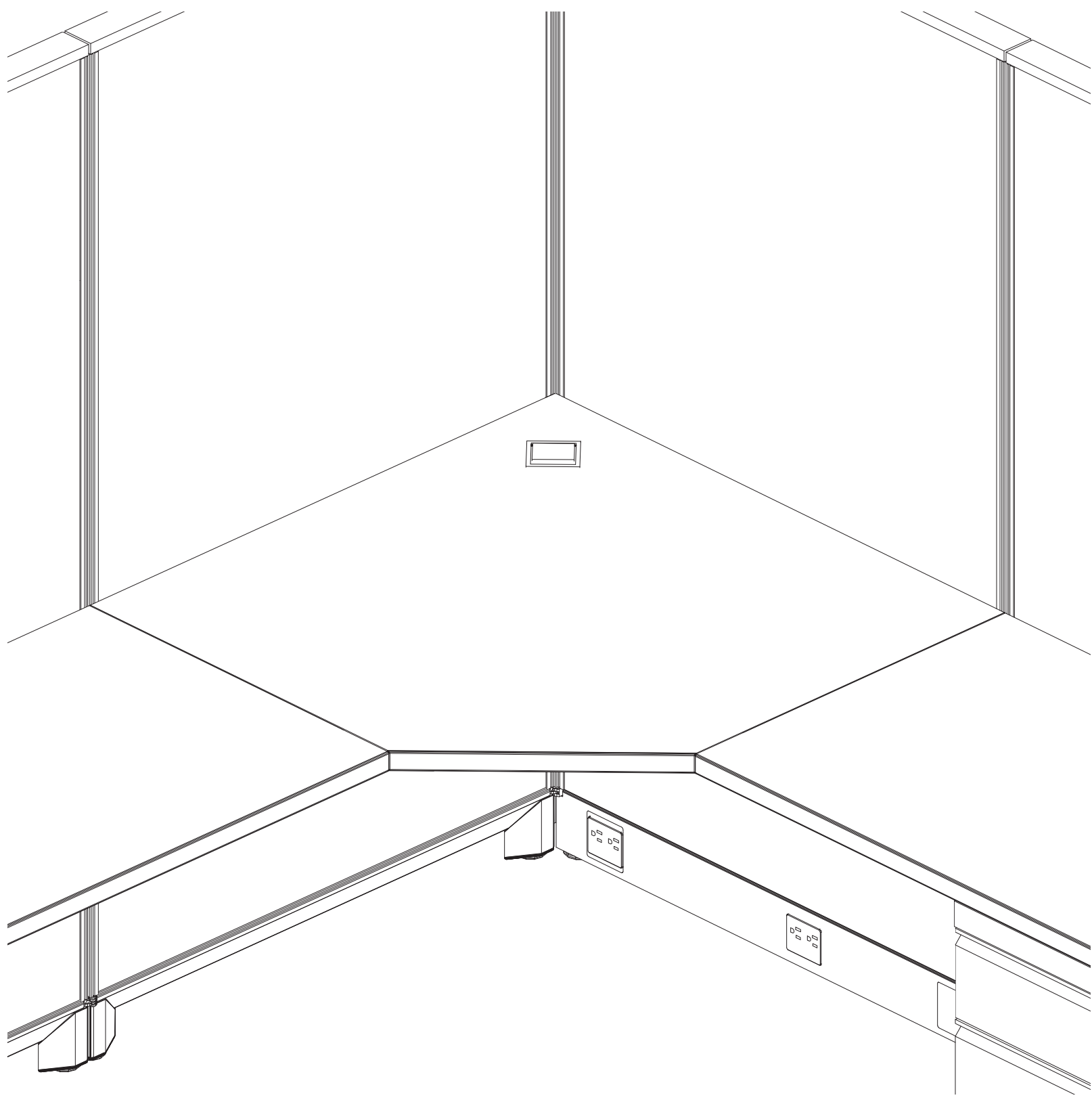
WIDTH	DEPTH	PART NUMBER	LIST PRICE
35.125"	23.125" (SHOWN ABOVE)	ECSQ-WASC-324-T	\$289
41.125"	23.125"	ECSQ-WASC-4224-T	\$376
47.125"	23.125"	ECSQ-WASC-424-T	\$376
47.125"	29.125"	ECSQ-WASC-430-T	\$462
59.125"	23.125" (SEE NOTE BELOW)	ECSQ-WASC-524-T	\$492

NOTES:

- SUPPORT BRACKET SPECIFIED SEPARATELY
- ECSQ-WASC-524-T IS NOT AVAILABLE WITH GREY CYPRESS, MODERN WALNUT OR WHITE LAMINATE



STRAIGHT CORNER SURFACE



FEATURES:

- 3mm EDGE

TO ORDER, SPECIFY:

- PART NUMBER / SIZE
- LAMINATE COLOR

PART: ECSQ-WRCS-4224-T



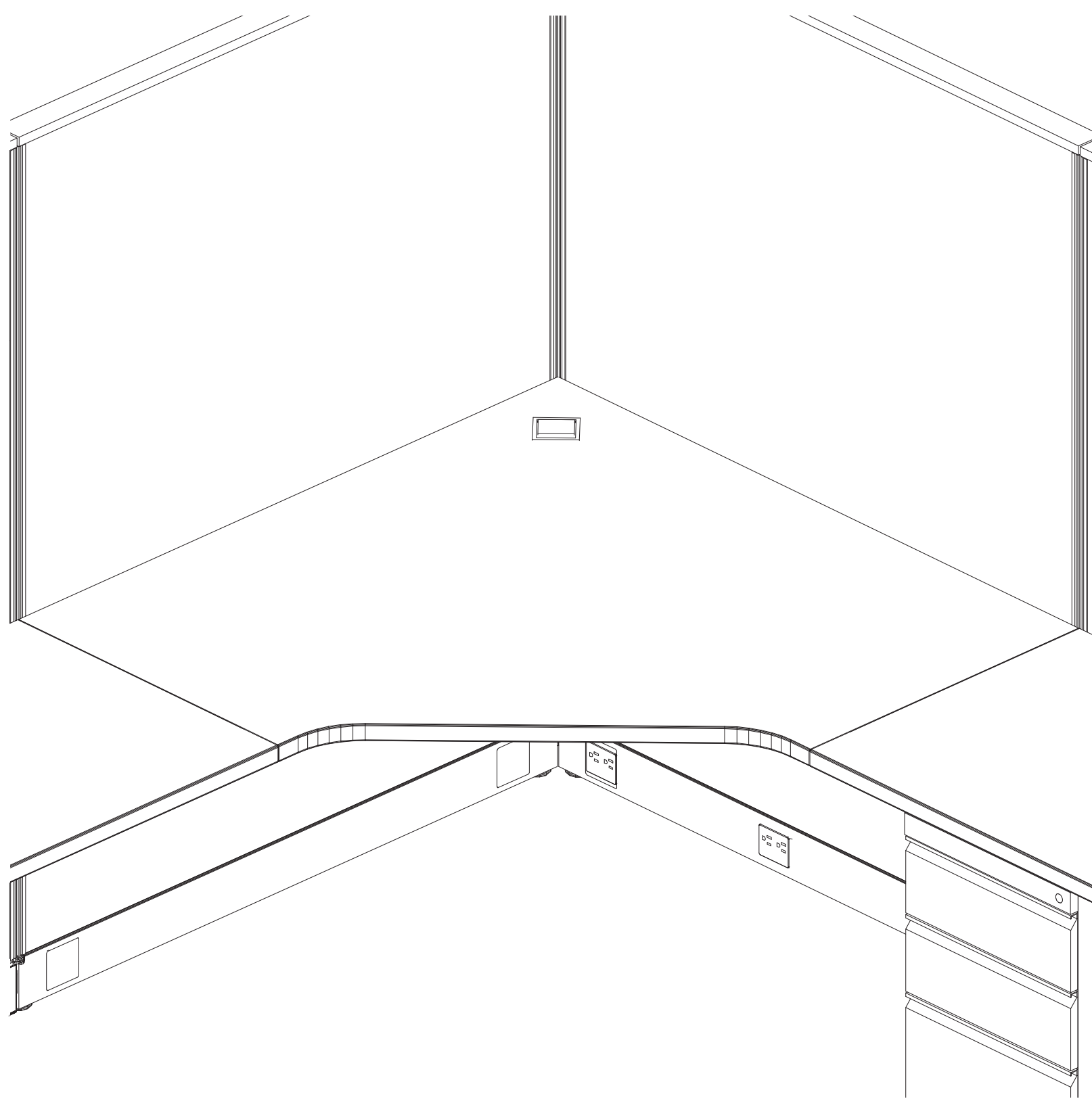
WIDTH	DEPTH	PART NUMBER	LIST PRICE
35.125"	23.125" (SHOWN ABOVE)	ECSQ-WRCS-324-T	\$289
41.125"	23.125"	ECSQ-WRCS-4224-T	\$376
41.125"	29.125"	ECSQ-WRCS-4230-T	\$462
47.125"	29.125"	ECSQ-WRCS-430-T	\$462

NOTES:

- SUPPORT BRACKETS SPECIFIED SEPARATELY



INSET STRAIGHT CORNER SURFACE



FEATURES:

- 3mm EDGE

TO ORDER, SPECIFY:

- PART NUMBER / SIZE
- LAMINATE COLOR

PART: ECSQ-WRCN-4224-T



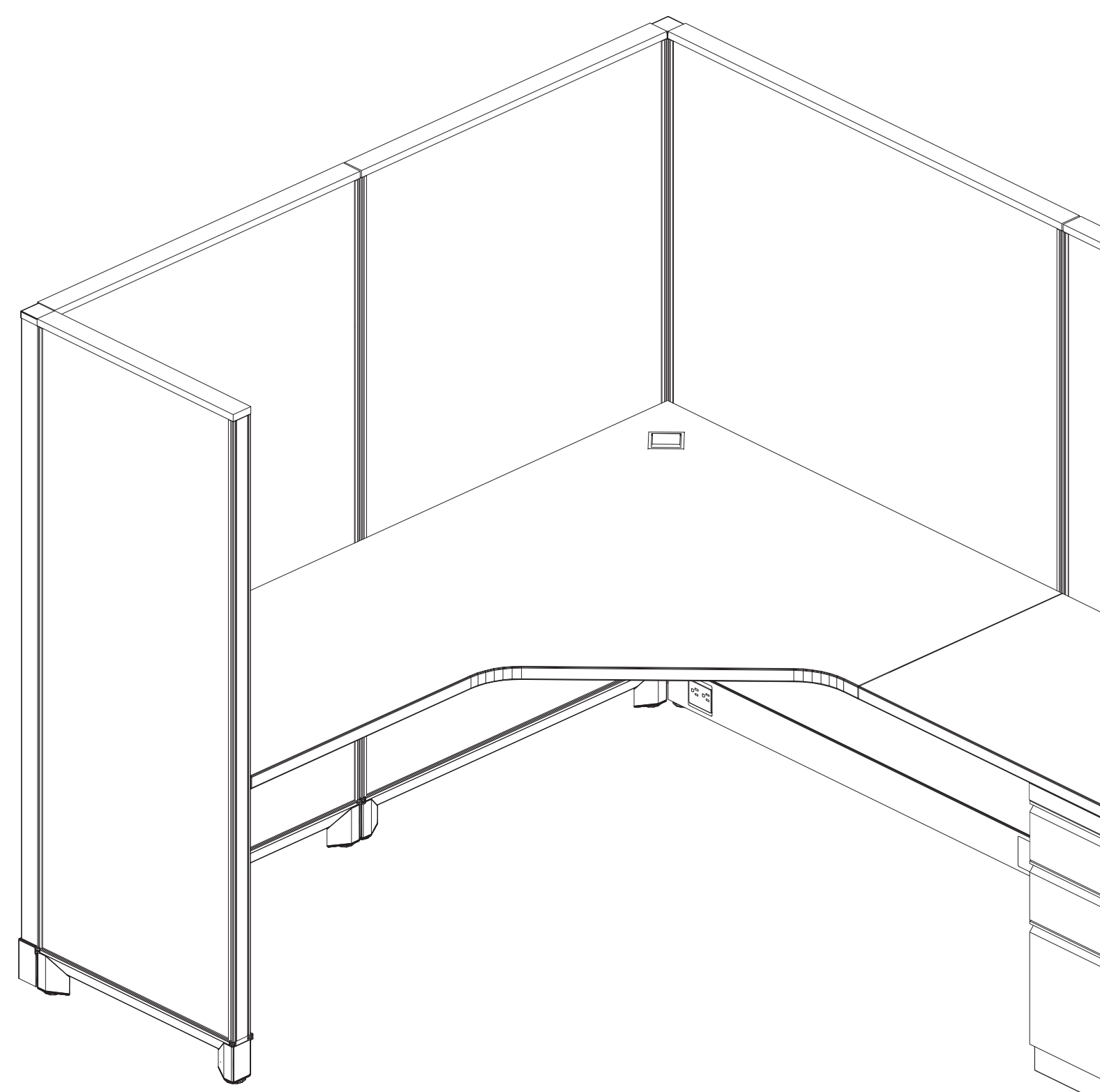
WIDTH	DEPTH	PART NUMBER	LIST PRICE
47.125"	23.125" (SHOWN ABOVE)	ECSQ-WRCN-424-T	\$376
47.125"	29.125"	ECSQ-WRCN-430-T	\$462
59.125"	23.125" (SEE NOTE BELOW)	ECSQ-WRCN-524-T	\$492

NOTES:

- SUPPORT BRACKET SPECIFIED SEPARATELY
- ECSQ-WASC-524-T IS NOT AVAILABLE WITH GREY CYPRESS, MODERN WALNUT OR WHITE LAMINATE



24" DEEP STRAIGHT EXTENDED CORNER



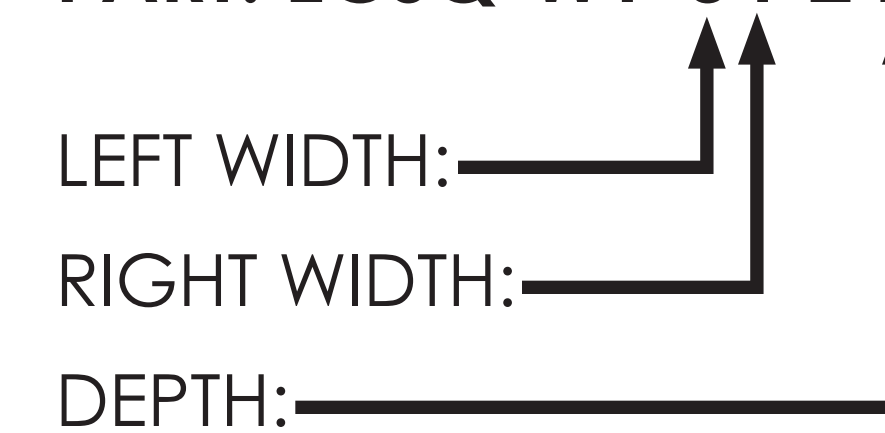
FEATURES:

- 3mm EDGE

TO ORDER, SPECIFY:

- PART NUMBER / SIZE
- LAMINATE COLOR

PART: ECSQ-WY-34-2424-T



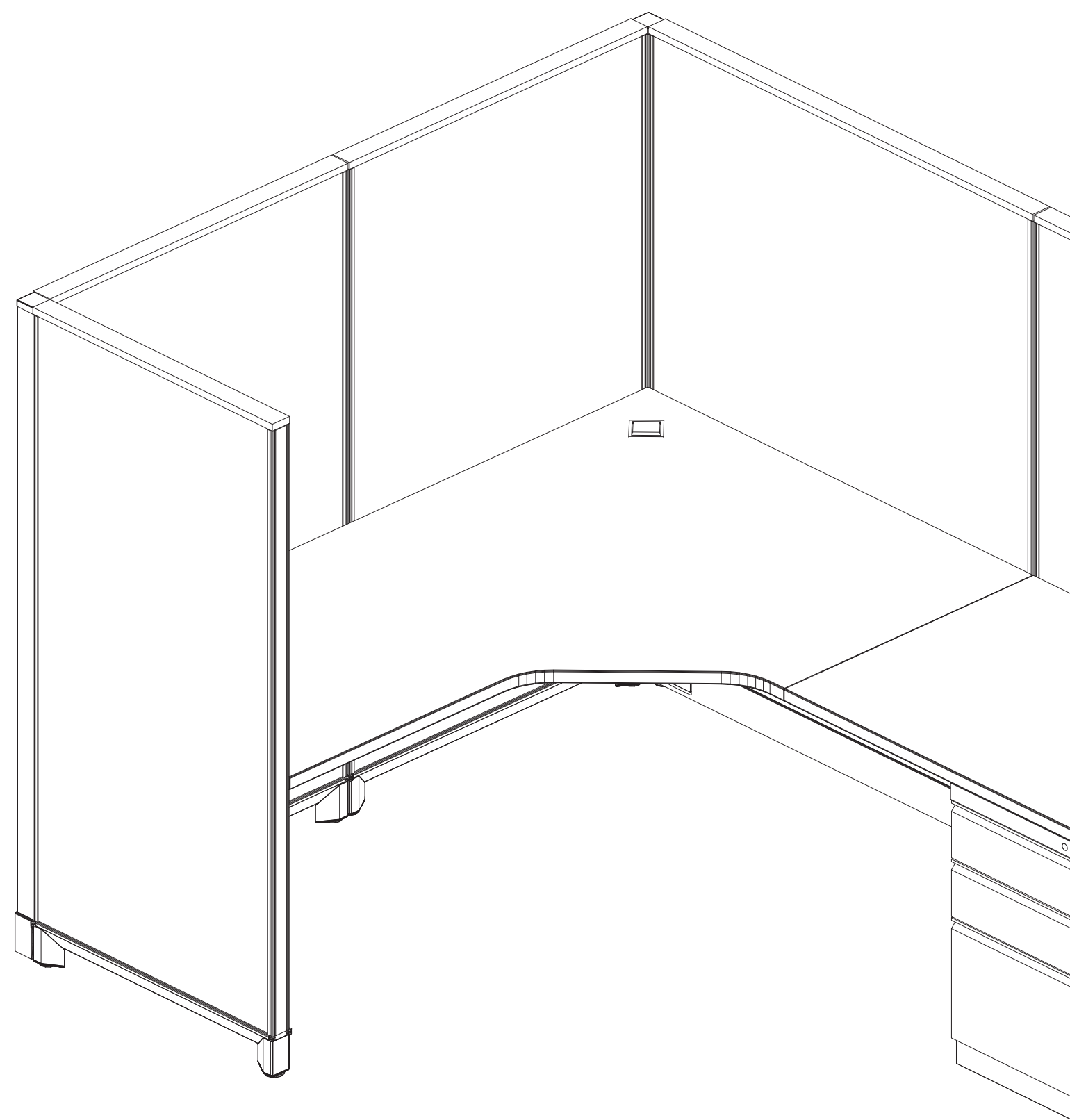
LEFT WIDTH	RIGHT WIDTH	DEPTH	PART NUMBER	LIST PRICE
35.125"	47.125"	23.125"	ECSQ-WY-34-2424-T	\$365
35.125"	59.125"	23.125"	ECSQ-WY-35-2424-T	\$434
35.125"	71.125"	23.125"	ECSQ-WY-36-2424-T	\$480
47.125"	35.125"	23.125"	ECSQ-WY-43-2424-T	\$365
47.125"	59.125"	23.125"	ECSQ-WY-45-2424-T	\$451
47.125"	71.125"	23.125"	ECSQ-WY-46-2424-T	\$520
59.125"	35.125"	23.125"	ECSQ-WY-53-2424-T	\$434
59.125"	47.125"	23.125"	ECSQ-WY-54-2424-T	\$451
71.125"	35.125"	23.125"	ECSQ-WY-63-2424-T	\$480
71.125"	47.125"	23.125" (SHOWN ABOVE)	ECSQ-WY-64-2424-T	\$520

NOTES:

- SUPPORT BRACKETS SPECIFIED SEPARATELY



30" DEEP STRAIGHT EXTENDED CORNER



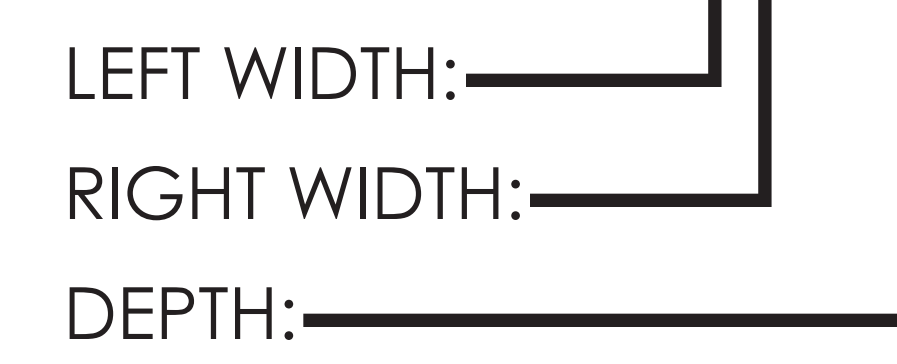
FEATURES:

- 3mm EDGE

TO ORDER, SPECIFY:

- PART NUMBER / SIZE
- LAMINATE COLOR

PART: ECSQ-WY-54-3030-T



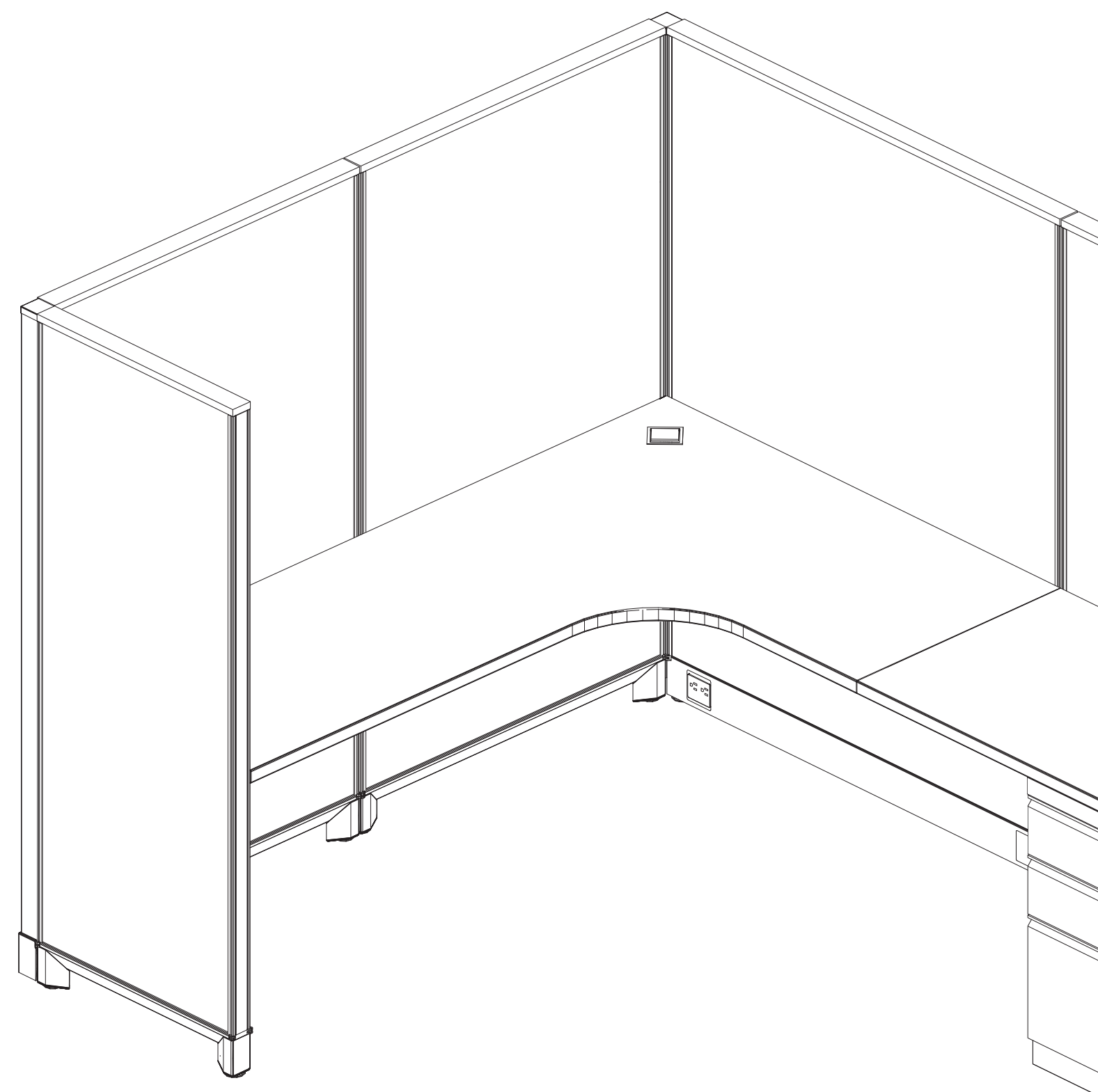
LEFT WIDTH	RIGHT WIDTH	DEPTH	PART NUMBER	LIST PRICE
47.125"	59.125"	29.125"	ECSQ-WY-45-3030-T	\$561
47.125"	71.125"	29.125"	ECSQ-WY-46-3030-T	\$665
59.125"	47.125"	29.125"	ECSQ-WY-54-3030-T	\$561
71.125"	47.125"	29.125" (SHOWN ABOVE)	ECSQ-WY-64-3030-T	\$665

NOTES:

- SUPPORT BRACKET SPECIFIED SEPARATELY



24" DEEP CURVED EXTENDED CORNER



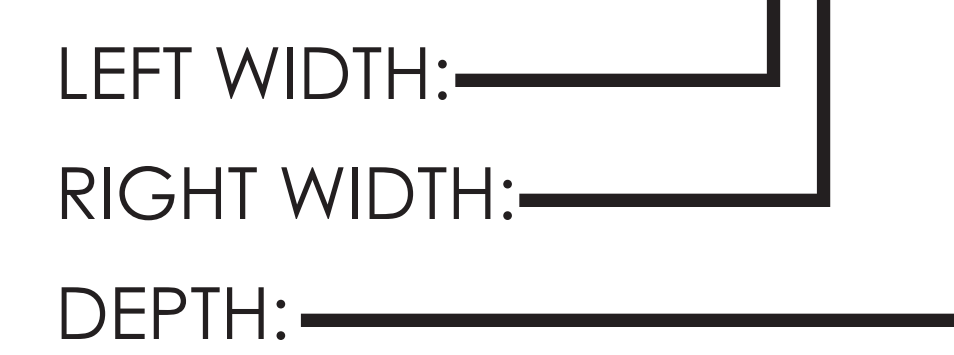
FEATURES:

- 3mm EDGE

TO ORDER, SPECIFY:

- PART NUMBER / SIZE
- LAMINATE COLOR

PART: ECSQ-WYC-34-2424-T



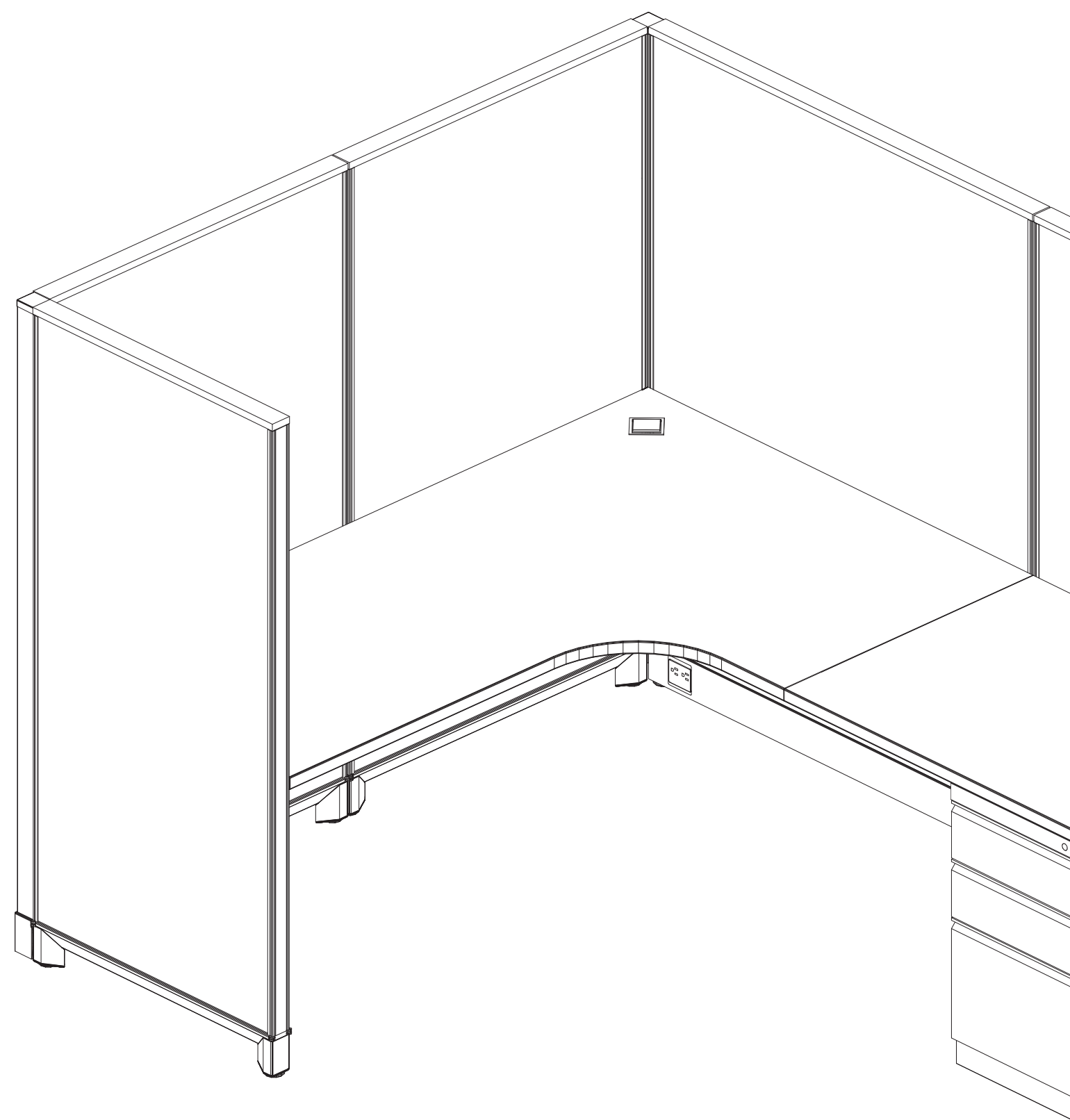
LEFT WIDTH	RIGHT WIDTH	DEPTH	PART NUMBER	LIST PRICE
35.125"	47.125"	23.125"	ECSQ-WYC-34-2424-T	\$365
35.125"	59.125"	23.125"	ECSQ-WYC-35-2424-T	\$434
35.125"	71.125"	23.125"	ECSQ-WYC-36-2424-T	\$480
47.125"	35.125"	23.125"	ECSQ-WYC-43-2424-T	\$365
47.125"	59.125"	23.125"	ECSQ-WYC-45-2424-T	\$451
47.125"	71.125"	23.125"	ECSQ-WYC-46-2424-T	\$520
59.125"	35.125"	23.125"	ECSQ-WYC-53-2424-T	\$434
59.125"	47.125"	23.125"	ECSQ-WYC-54-2424-T	\$451
71.125"	35.125"	23.125"	ECSQ-WYC-63-2424-T	\$480
71.125"	47.125"	23.125" (SHOWN ABOVE)	ECSQ-WYC-64-2424-T	\$520

NOTES:

- SUPPORT BRACKETS SPECIFIED SEPARATELY



30" DEEP CURVED EXTENDED CORNER



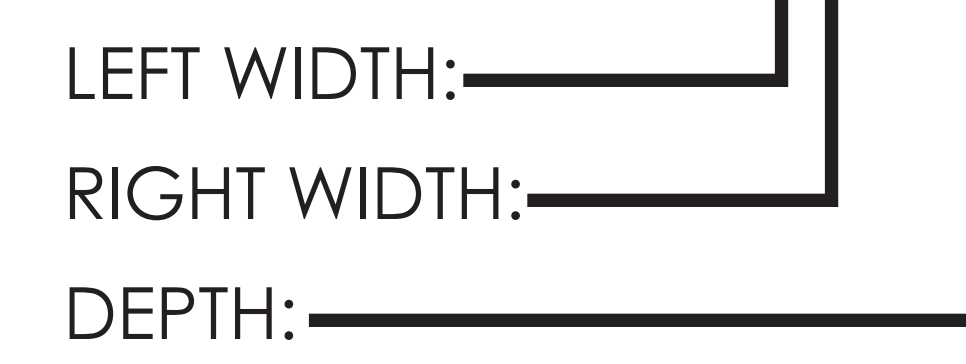
FEATURES:

- 3mm EDGE

TO ORDER, SPECIFY:

- PART NUMBER / SIZE
- LAMINATE COLOR

PART: ECSQ-WYC-54-3030-T



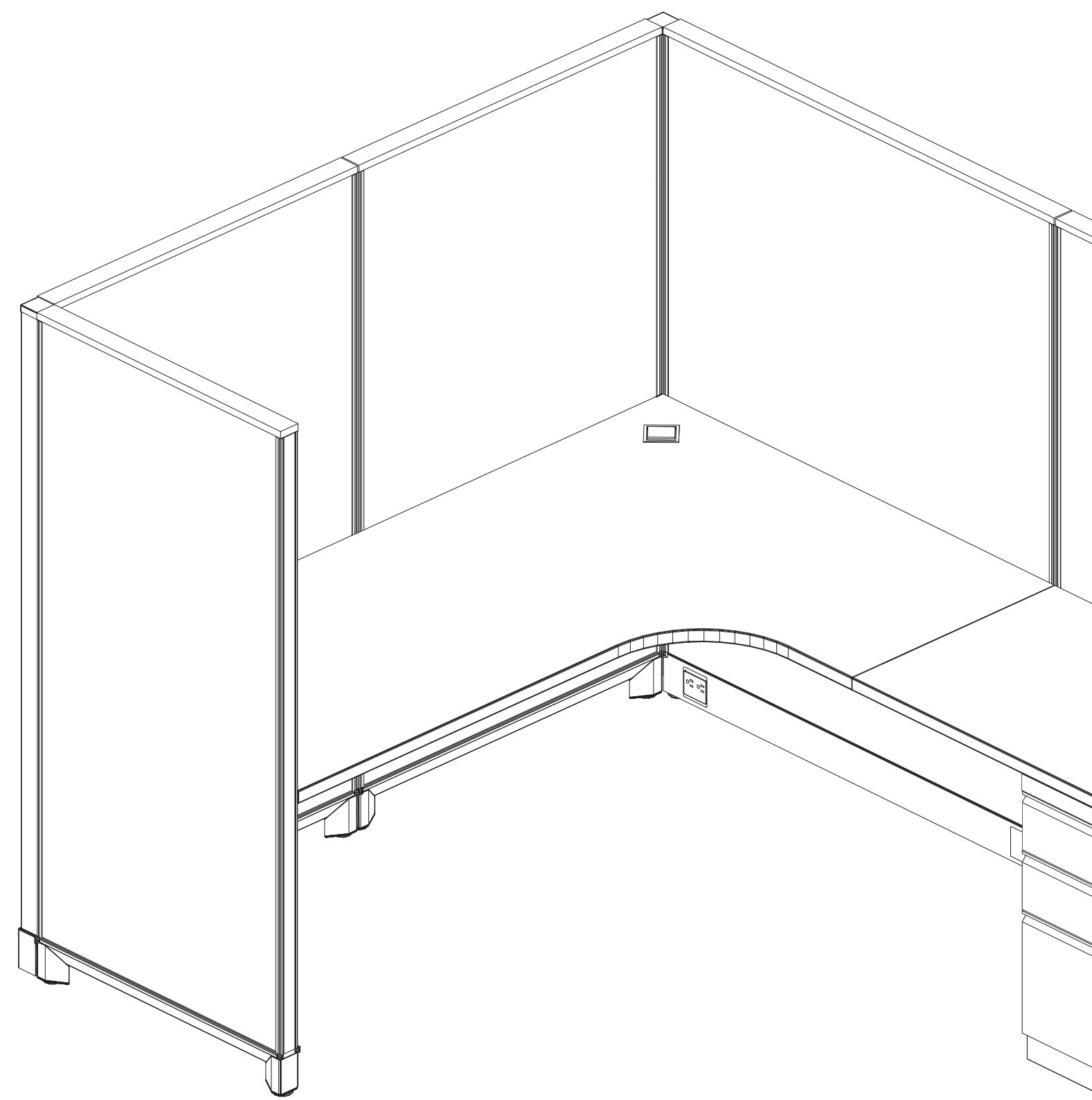
LEFT WIDTH	RIGHT WIDTH	DEPTH	PART NUMBER	LIST PRICE
47.125"	59.125"	29.125"	ECSQ-WYC-45-3030-T	\$561
47.125"	71.125"	29.125"	ECSQ-WYC-46-3030-T	\$665
59.125"	47.125"	29.125"	ECSQ-WYC-54-3030-T	\$561
71.125"	47.125"	29.125" (SHOWN ABOVE)	ECSQ-WYC-64-3030-T	\$665

NOTES:

- SUPPORT BRACKET SPECIFIED SEPARATELY



CURVED TRANSITION EXTENDED CORNER



FEATURES:

- 3mm EDGE

TO ORDER, SPECIFY:

- PART NUMBER / SIZE
- LAMINATE COLOR

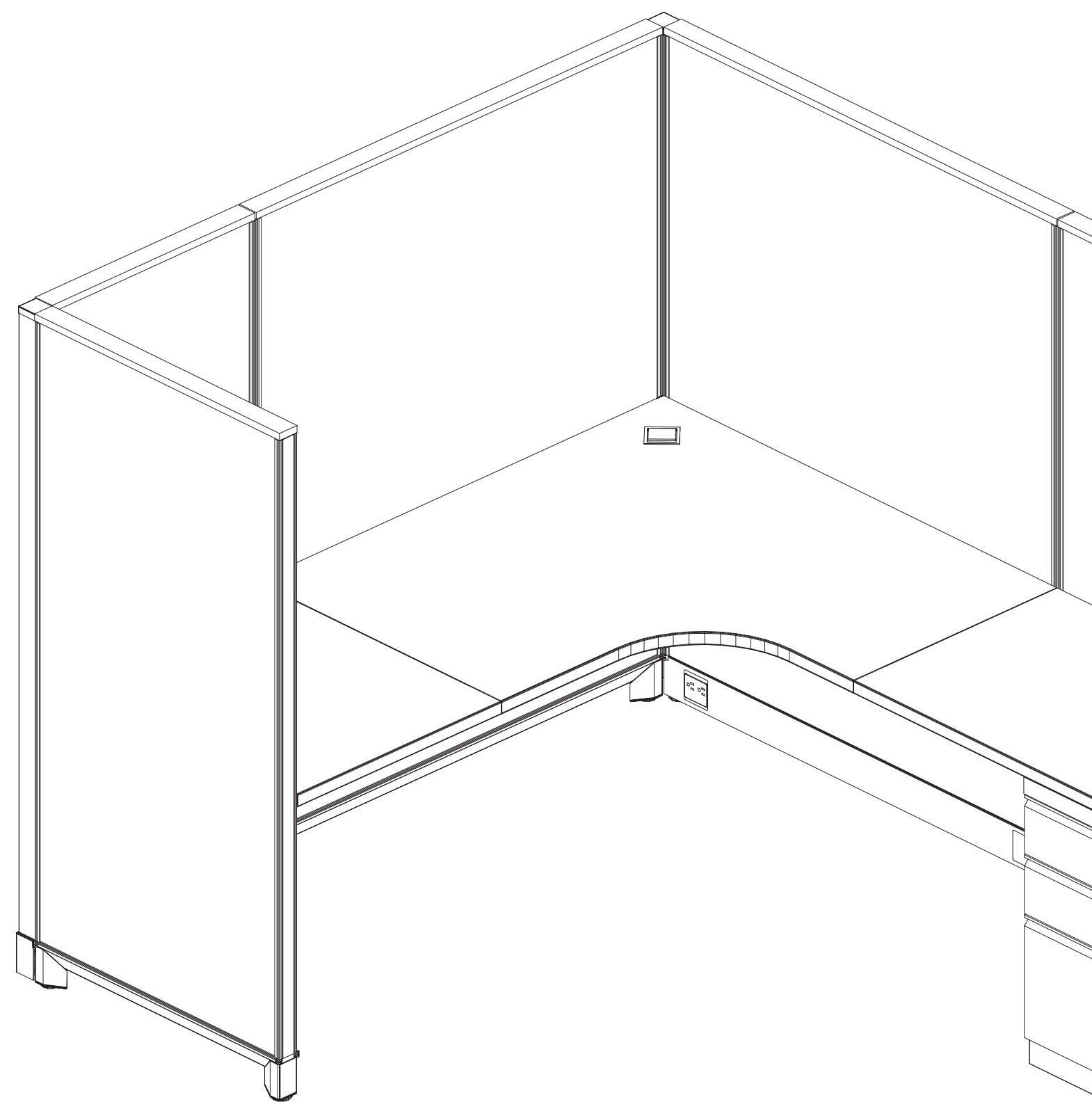
LEFT WIDTH	RIGHT WIDTH	LEFT DEPTH	RIGHT DEPTH	PART NUMBER	LIST PRICE
47.125"	71.125"	23.125"	29.125"	ECSQ-WWET-4623-R	\$875
47.125"	71.125"	30"	23.125" (SHOWN ABOVE)	ECSQ-WWET-4632-R	\$875
71.125"	47.125"	23.125"	29.125"	ECSQ-WWET-4623-L	\$875
71.125"	47.125"	30"	23.125"	ECSQ-WWET-4632-L	\$875

NOTES:

- SUPPORT BRACKETS SPECIFIED SEPARATELY



CURVED TRANSITION CORNER



FEATURES:

- 3mm EDGE

TO ORDER, SPECIFY:

- PART NUMBER / SIZE
- LAMINATE COLOR

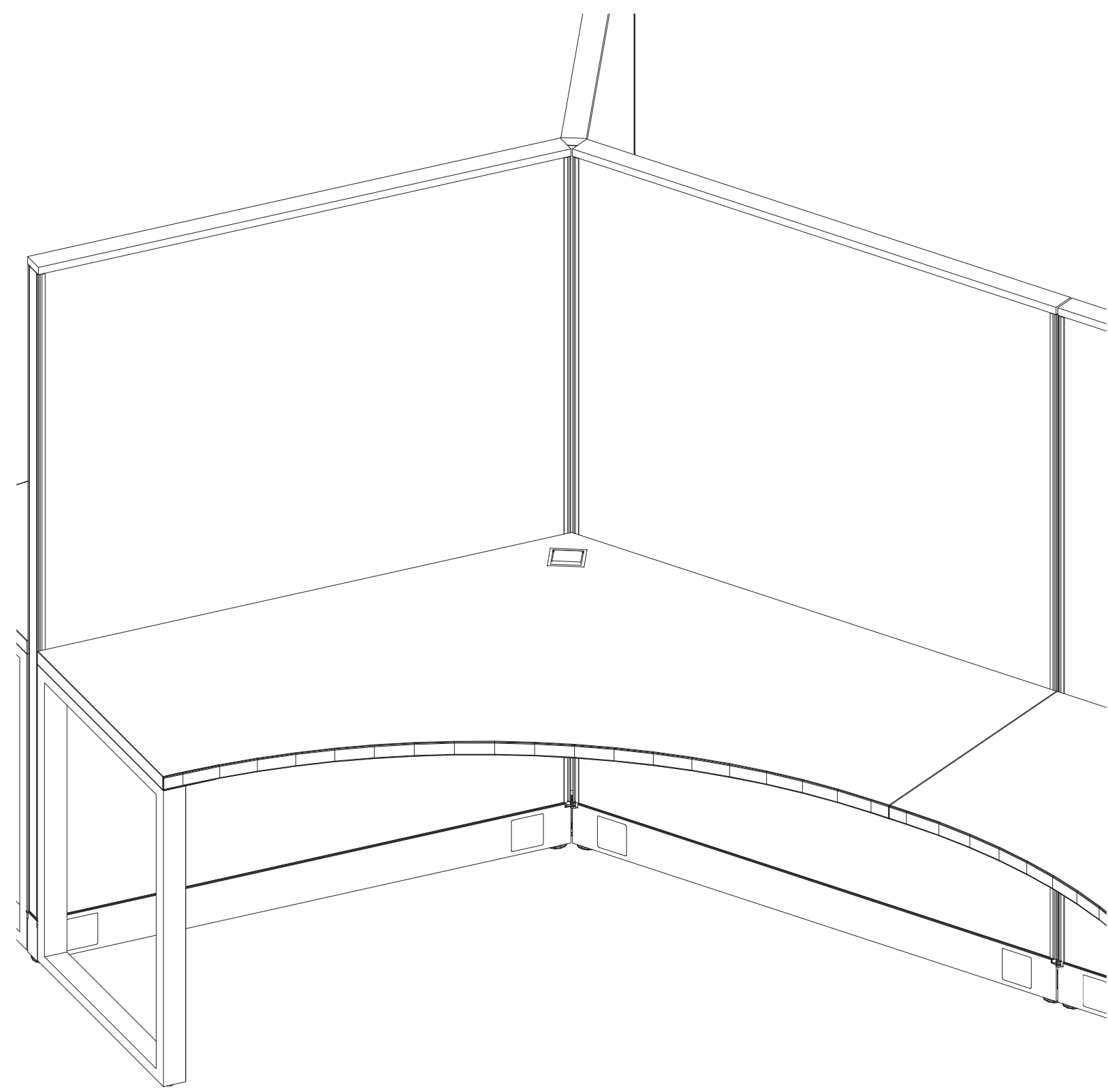
WIDTH	LEFT DEPTH	RIGHT DEPTH	PART NUMBER	LIST PRICE
48"	23.125"	29.125"	ECSQ-WWLC-4823-T	\$457
48"	29.125"	23.125" (SHOWN ABOVE)	ECSQ-WWLC-4832-T	\$457

NOTES:

- SUPPORT BRACKET SPECIFIED SEPARATELY



120 DEGREE CORNER SURFACES



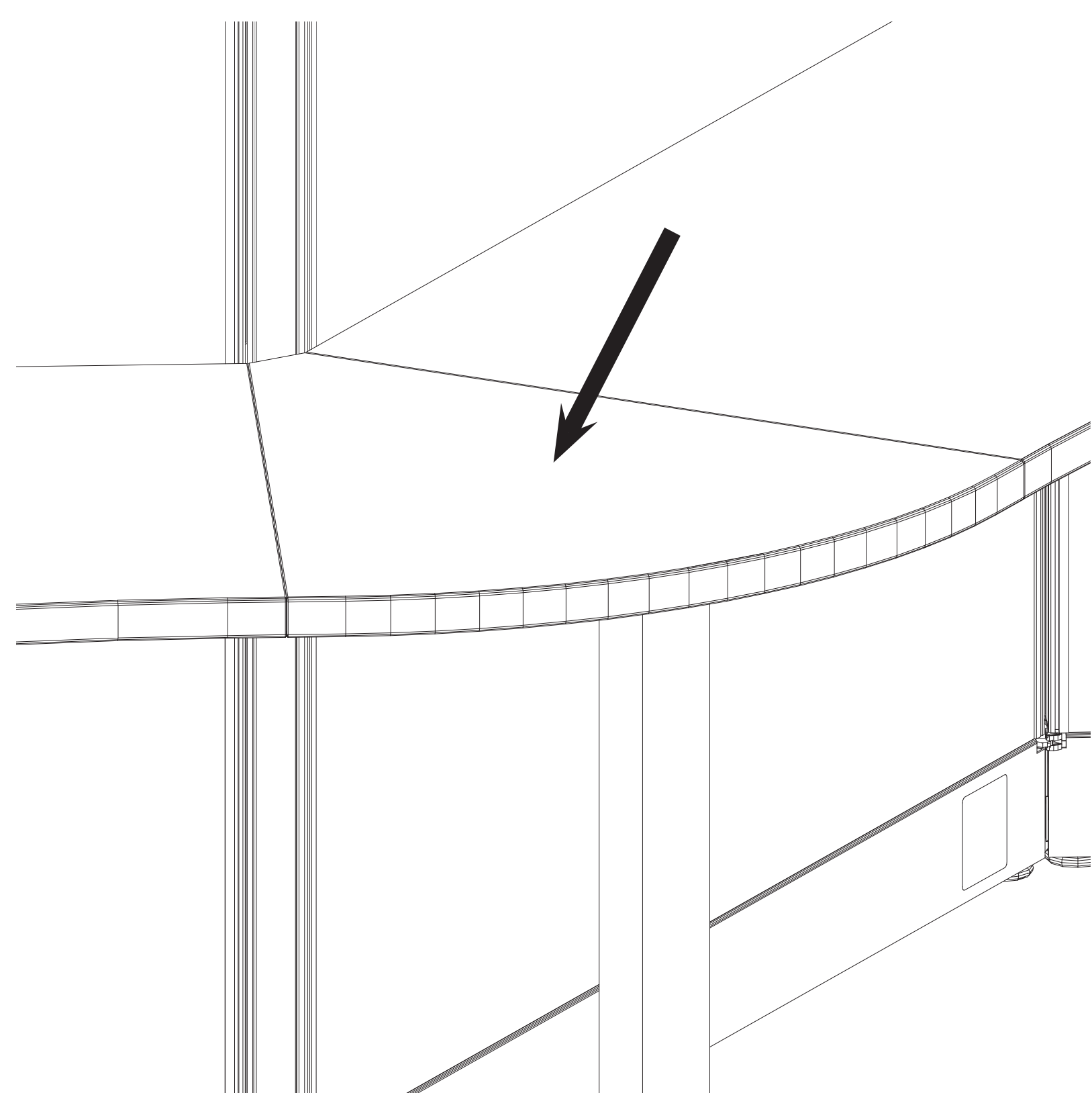
FEATURES:

- 3mm EDGE

TO ORDER, SPECIFY:

- PART NUMBER / SIZE
- LAMINATE COLOR

LEFT WIDTH	RIGHT WIDTH	DEPTH	PART NUMBER	LIST PRICE
36"	36"	24"	ECSQ-WUCZ-3636-T	\$474
42"	42"	24"	ECSQ-WUCZ-4242-T	\$555
48"	48"	24" (SHOWN ABOVE)	ECSQ-WUCZ-4848-T	\$636



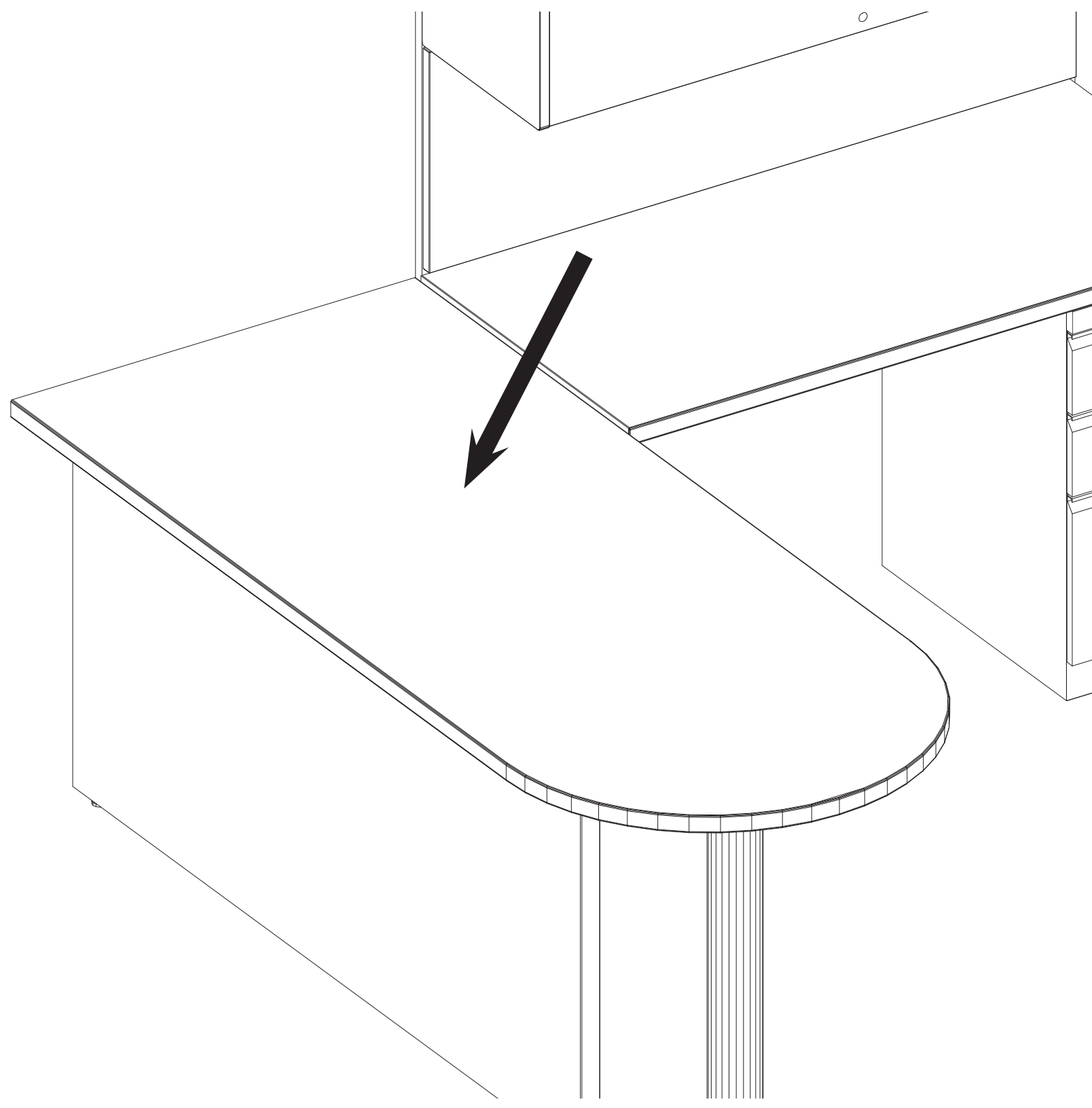
WIDTH	DEPTH	DESCRIPTION	PART NUMBER	LIST PRICE
26"	24"	PIE-SHAPED SURFACE USED TO CONNECT 120 DEG SURFACES	ECSQ-WUDZ-2426	\$289

NOTES:

- SUPPORT BRACKETS SPECIFIED SEPARATELY



D-TOP SURFACES



FEATURES:

- 3mm EDGE

TO ORDER, SPECIFY:

- PART NUMBER / SIZE
- LAMINATE COLOR

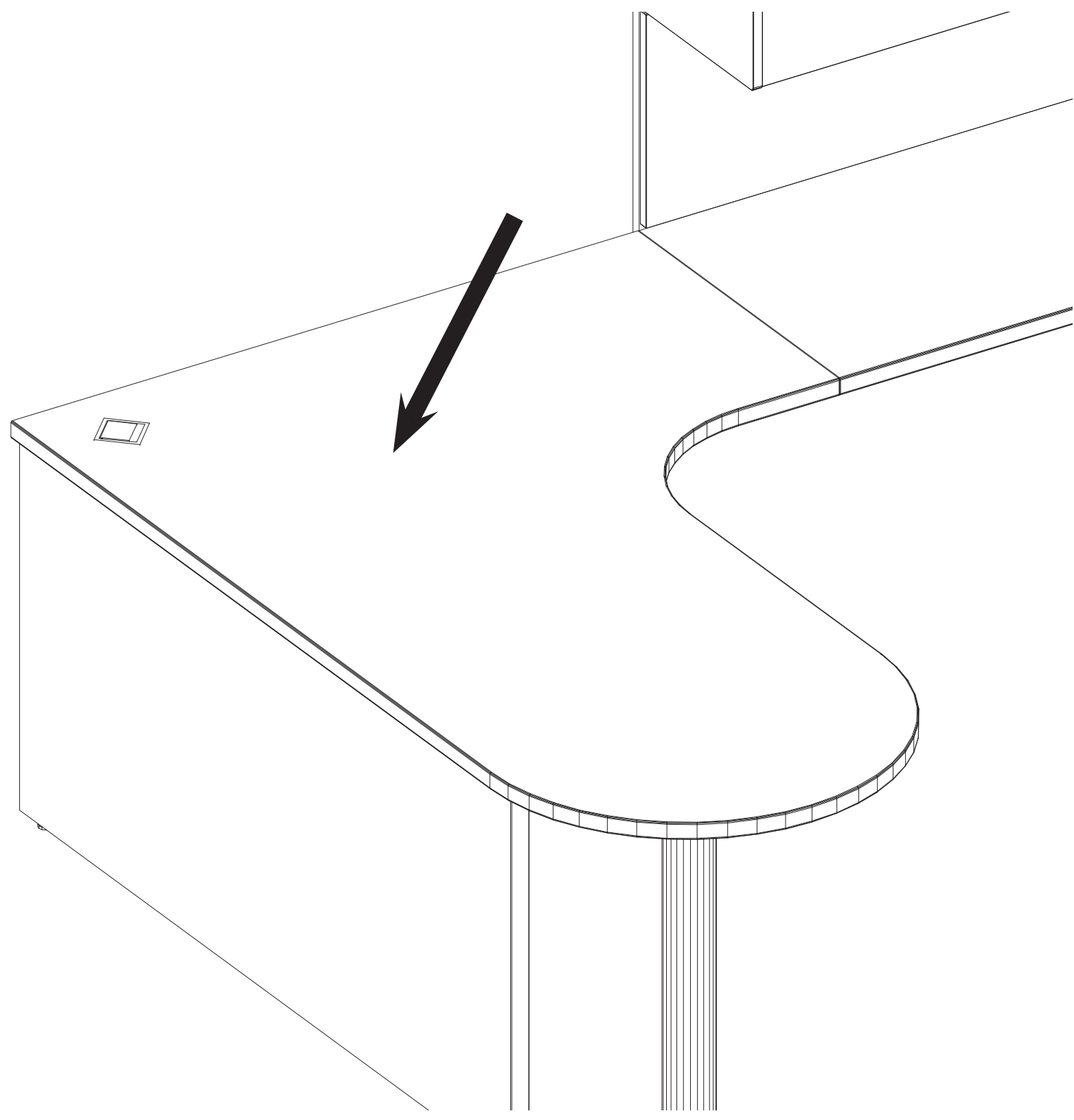
WIDTH	DEPTH	PART NUMBER	LIST PRICE
50"	30" (USED TO CONNECT TWO 24" DEEP SURFACES WITH PANEL BETWEEN)	ECSQ-DWST-3050-T	\$278
48"	29.9375"	ECSQ-DWST-430-T	\$248
60"	29.9375"	ECSQ-DWST-530-T	\$284
60"	35.9375"	ECSQ-DWST-536-T	\$301
72"	29.9375" (SHOWN ABOVE)	ECSQ-DWST-630-T	\$365
72"	35.9375"	ECSQ-DWST-636-T	\$494

NOTES:

- SUPPORT BRACKET SPECIFIED SEPARATELY



D-TOP SURFACES



FEATURES:

- 3mm EDGE

TO ORDER, SPECIFY:

- PART NUMBER / SIZE
- LAMINATE COLOR

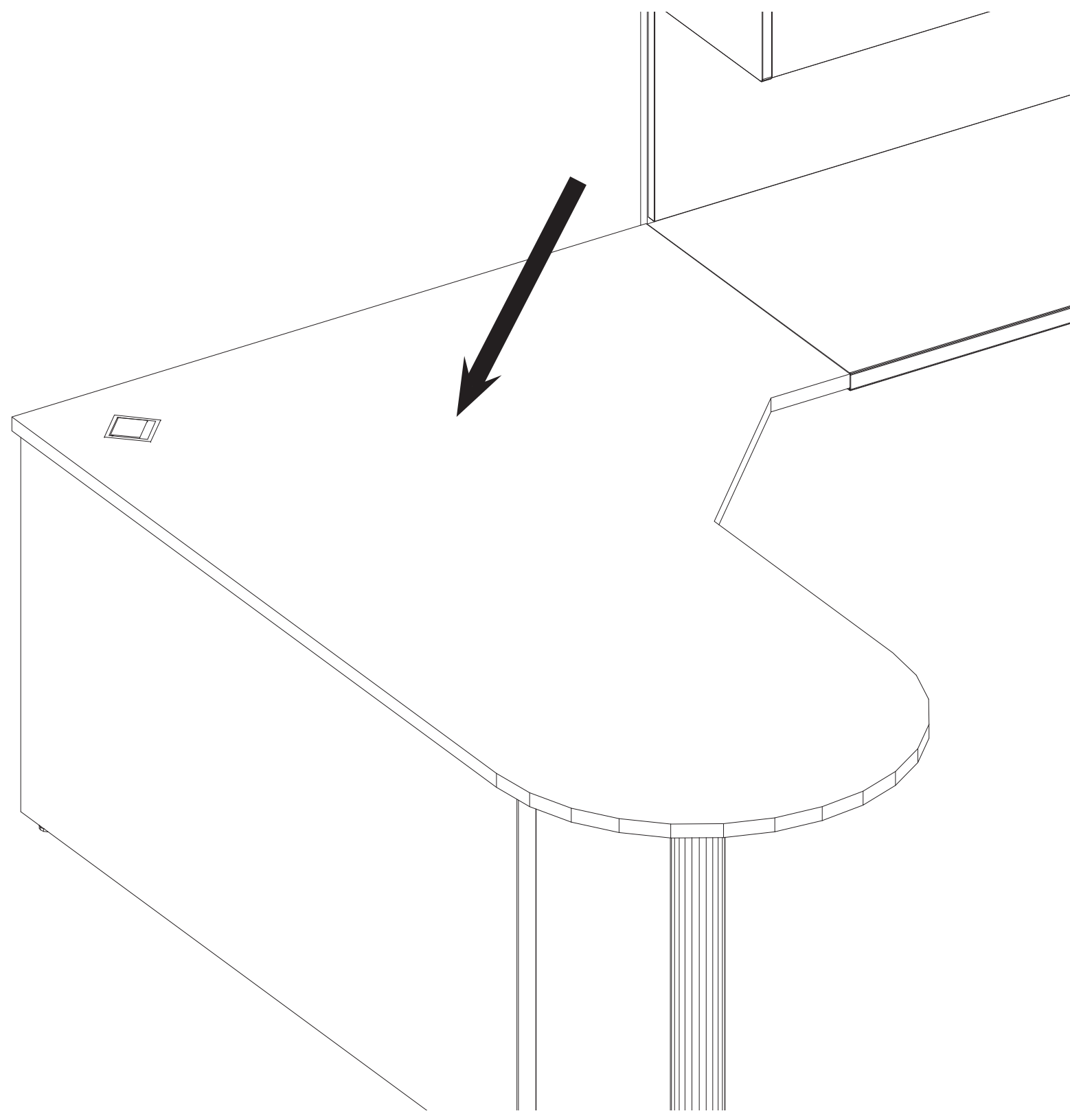
LEFT WIDTH	RIGHT WIDTH	LEFT DEPTH	RIGHT DEPTH	PART NUMBER	LIST PRICE
47.9375"	59.125"	23.125"	30"	ECSQ-WDWL-45-R	\$561
59.125"	47.9375"	30"	23.125"	ECSQ-WDWL-45-L	\$561
47.9375"	71.125"	23.125"	30"	ECSQ-WDWL-46-R	\$703
71.125"	47.9375"	30"	23.125" (SHOWN ABOVE)	ECSQ-WDWL-46-L	\$703

NOTES:

- SUPPORT BRACKETS SPECIFIED SEPARATELY



CURVED EXTENDED D-TOP CORNER SURFACE



FEATURES:

- 3mm EDGE

TO ORDER, SPECIFY:

- PART NUMBER / SIZE
- LAMINATE COLOR

LEFT WIDTH	RIGHT WIDTH	LEFT DEPTH	RIGHT DEPTH	PART NUMBER	LIST PRICE
47.9375"	71.125"	23.125"	30"	ECSQ-WDWN-47224-R	\$703
71.125"	47.9375"	30"	23.125" (SHOWN ABOVE)	ECSQ-WDWN-47224-L	\$703

NOTES:

- SUPPORT BRACKET SPECIFIED SEPARATELY

CUSTOM SURFACES



FEATURES:

- 3mm EDGE

TO ORDER, SPECIFY:

- PART NUMBER / SIZE
- LAMINATE COLOR

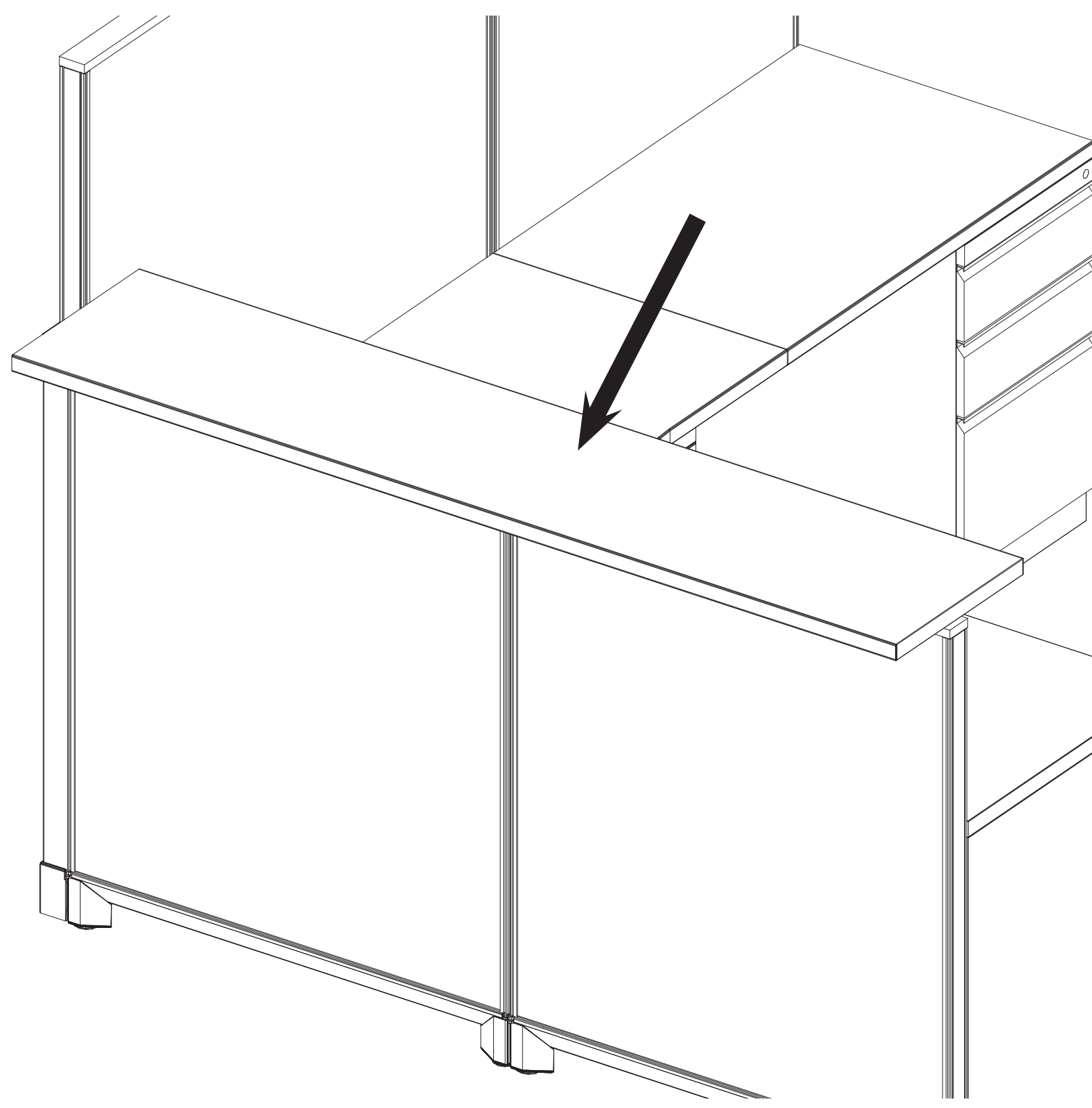
MAX WIDTH	MAX DEPTH	PART NUMBER	LIST PRICE
48"	24"	ECSQ-CUST-TOP-424-T	\$284
48"	30"	ECSQ-CUST-TOP-430-T	\$373
48"	48"	ECSQ-CUST-TOP-448-T	\$555
60"	60"	ECSQ-CUST-TOP-560-T	\$867
72"	24"	ECSQ-CUST-TOP-624-T	\$531
72"	30"	ECSQ-CUST-TOP-630-T	\$552
72"	48"	ECSQ-CUST-TOP-648-T	\$832
96"	24"	ECSQ-CUST-TOP-824-T	\$615
96"	30"	ECSQ-CUST-TOP-830-T	\$636
96"	48"	ECSQ-CUST-TOP-848-T	\$1109

NOTES:

- SUPPORT BRACKETS SPECIFIED SEPARATELY



COUNTER TOP SURFACES



FEATURES:

- 3mm EDGE
- MOUNTING BRACKETS INCLUDED

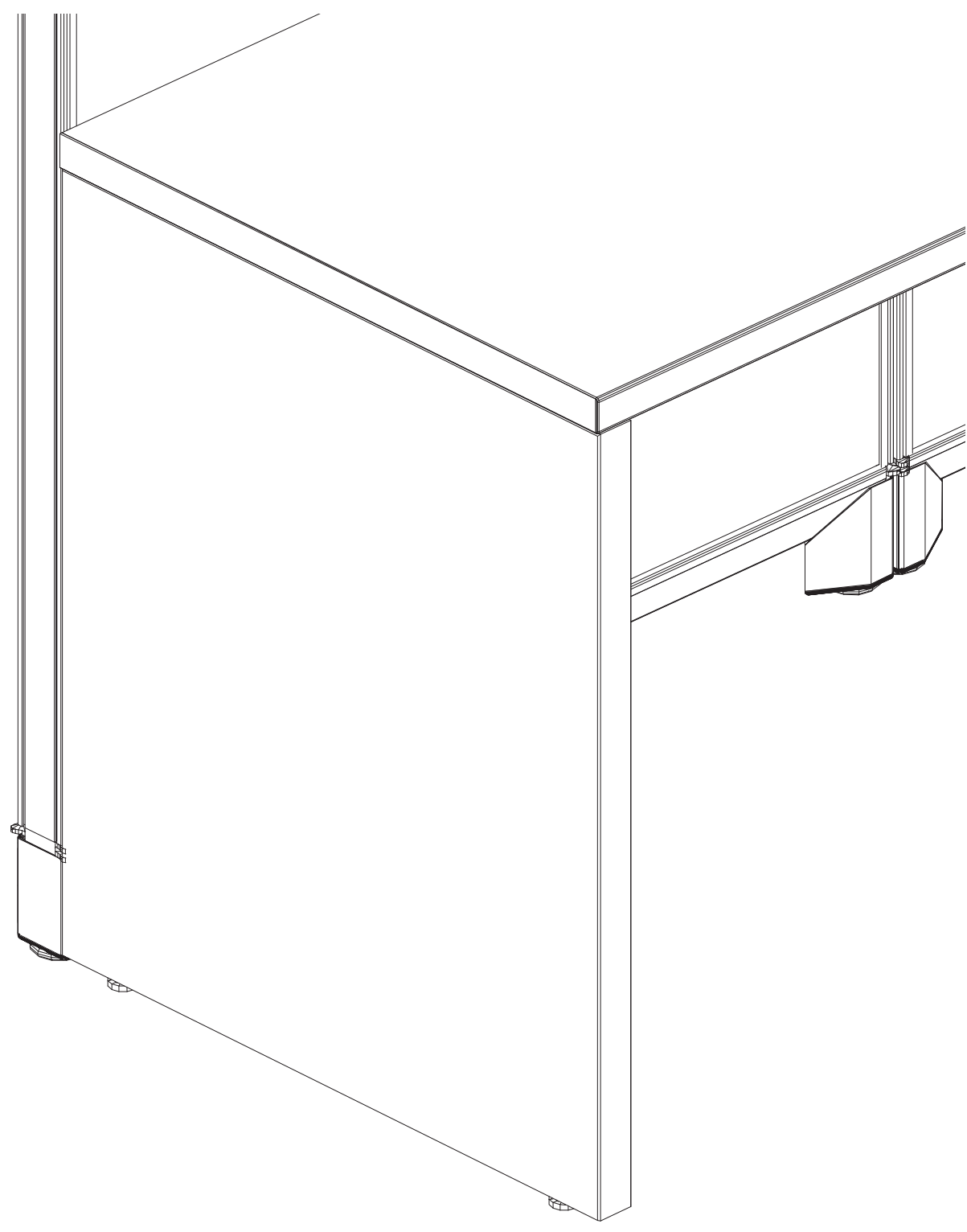
TO ORDER, SPECIFY:

- PART NUMBER / SIZE
- LAMINATE COLOR

WIDTH	DEPTH	SHAPE	PART NUMBER	LIST PRICE
24"	15"	RECTANGLE	ECSQ-CTSE-215	\$219
30"	15"	RECTANGLE	ECSQ-CTSE-3015	\$235
36"	15"	RECTANGLE	ECSQ-CTSE-315	\$245
42"	15"	RECTANGLE	ECSQ-CTSE-4215	\$259
48"	15"	RECTANGLE	ECSQ-CTSE-415	\$255
60"	15"	RECTANGLE	ECSQ-CTSE-515	\$275
72"	15"	RECTANGLE (SHOWN ABOVE)	ECSQ-CTSE-615	\$331
24"	15"	CORNER	ECSQ-CTRE-215	\$373
36"	15"	CORNER	ECSQ-CTRE-315	\$585
42"	15"	CORNER	ECSQ-CTRE-4215	\$696
48"	15"	CORNER	ECSQ-CTRE-415	\$806



WORKSURFACE SUPPORT PANEL



FEATURES:

- 3mm EDGE
- CONNECTS TO PANELS / WALL TRACK

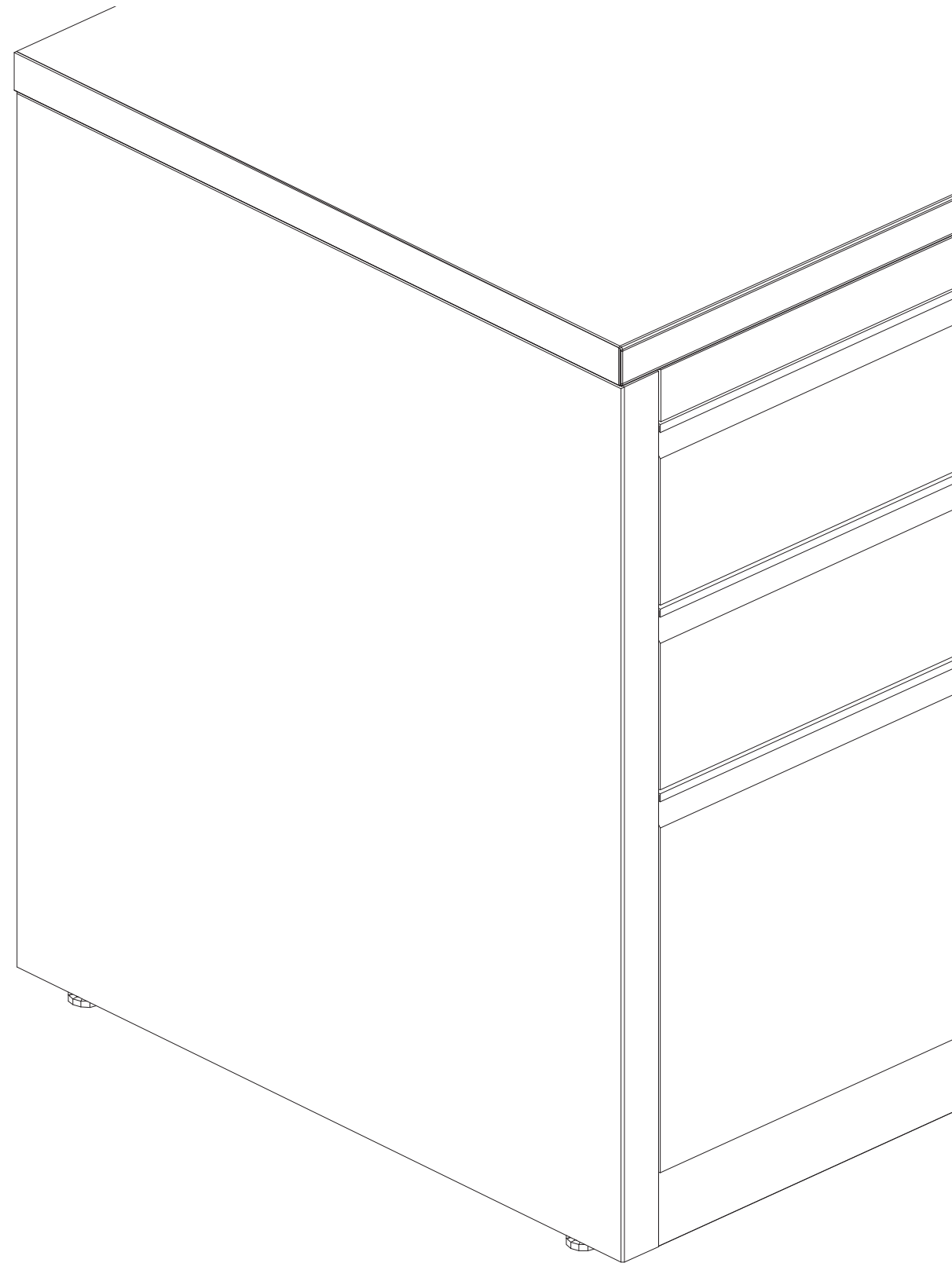
TO ORDER, SPECIFY:

- PART NUMBER / SIZE
- LAMINATE COLOR

WIDTH	SURFACE HEIGHT	SUPPORT	PART NUMBER	LIST PRICE
23.125"	29"	LEFT (SHOWN ABOVE)	ECSQ-WSP-2429-L	\$315
23.125"	29"	RIGHT	ECSQ-WSP-2429-R	\$315
29.125"	29"	LEFT	ECSQ-WSP-3029-L	\$343
29.125"	29"	RIGHT	ECSQ-WSP-3029-R	\$343



DECKSIDE SUPPORT PANEL



FEATURES:

- 3mm EDGE

TO ORDER, SPECIFY:

- PART NUMBER / SIZE
- LAMINATE COLOR

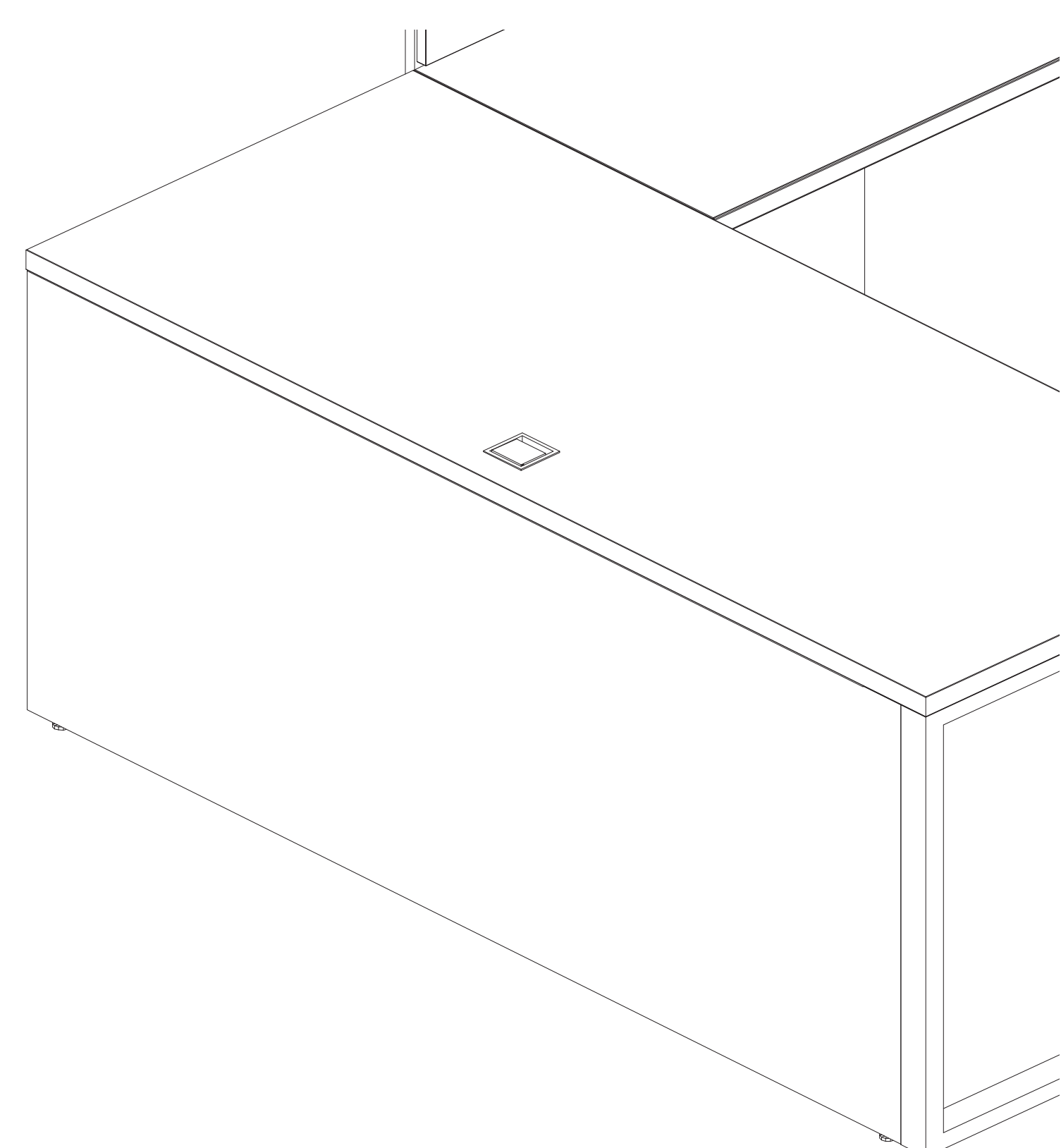
WIDTH	SURFACE HEIGHT	PART NUMBER	LIST PRICE
10"	29"	ECSQ-DSSP-DL-1029	\$205
20"	29"	ECSQ-DSSP-DL-2029	\$250
23.125"	29" (SHOWN ABOVE)	ECSQ-DSSP-DL-2429	\$270
29.125"	29"	ECSQ-DSSP-DL-3029	\$297
35.125"	29"	ECSQ-DSSP-DL-3629	\$326
41.125"	29"	ECSQ-DSSP-DL-4229	\$355

CUSTOM DECKSIDE SUPPORT PANEL

MAX WIDTH	MAX HEIGHT	PART NUMBER	LIST PRICE
24"	48"	ECSQ-CUST-DSSP-248	\$331
48"	48"	ECSQ-CUST-DSSP-448	\$662
96"	48"	ECSQ-CUST-DSSP-848	\$1,323



LAMINATE MODESTY PANEL



FEATURES:

- 3mm EDGE

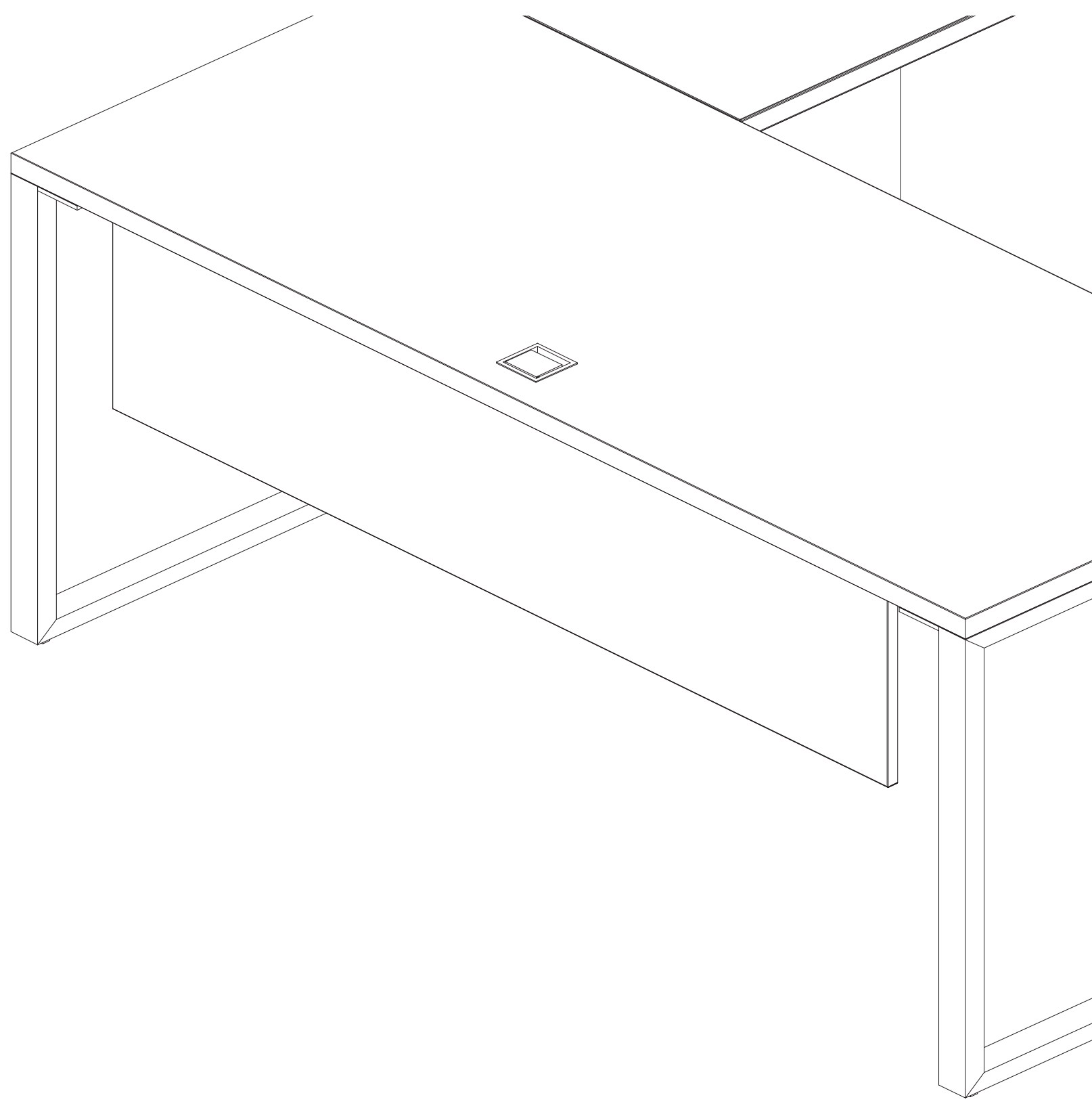
TO ORDER, SPECIFY:

- PART NUMBER / SIZE
- LAMINATE COLOR

WIDTH	SURFACE HEIGHT	PART NUMBER	LIST PRICE
46.4375"	29"	ECSQ-MP-DL-4829	\$357
58.4375"	29"	ECSQ-MP-DL-6029	\$504
70.4375"	29" (SHOWN ABOVE)	ECSQ-MP-DL-7229	\$570



HANGING LAMINATE MODESTY PANEL



FEATURES:

- 3mm EDGE
- MOUNTING BRACKETS INCLUDED

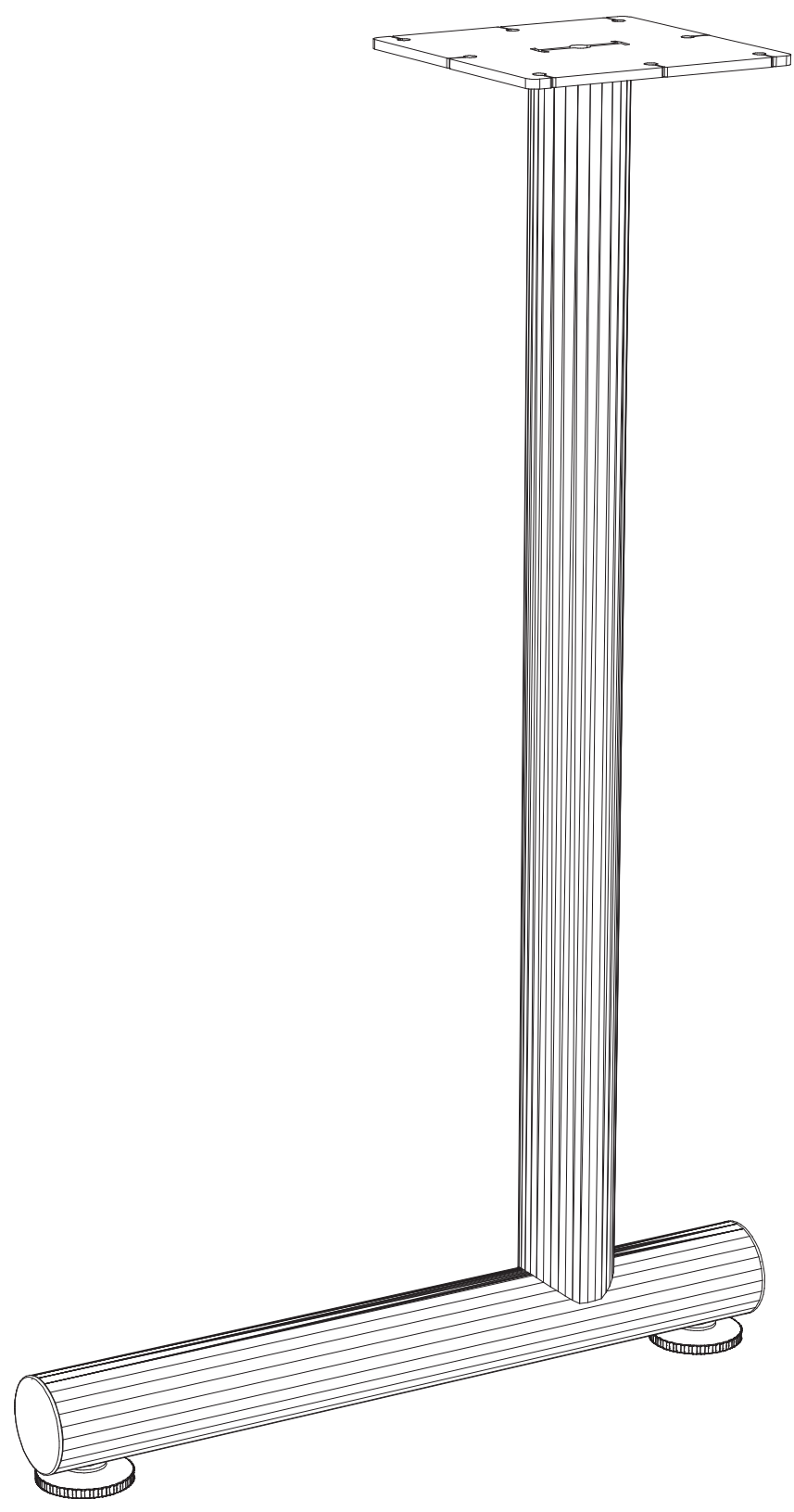
TO ORDER, SPECIFY:

- PART NUMBER / SIZE
- LAMINATE COLOR

WIDTH	HEIGHT	PART NUMBER	LIST PRICE
46.4375"	12"	ECSQ-MP-DL-4812	\$357
58.4375"	12" (SHOWN ABOVE ON A EC-WS-630-T-G)	ECSQ-MP-DL-6012	\$405
70.4375"	12"	ECSQ-MP-DL-7212	\$457



C-LEG



NOTES:

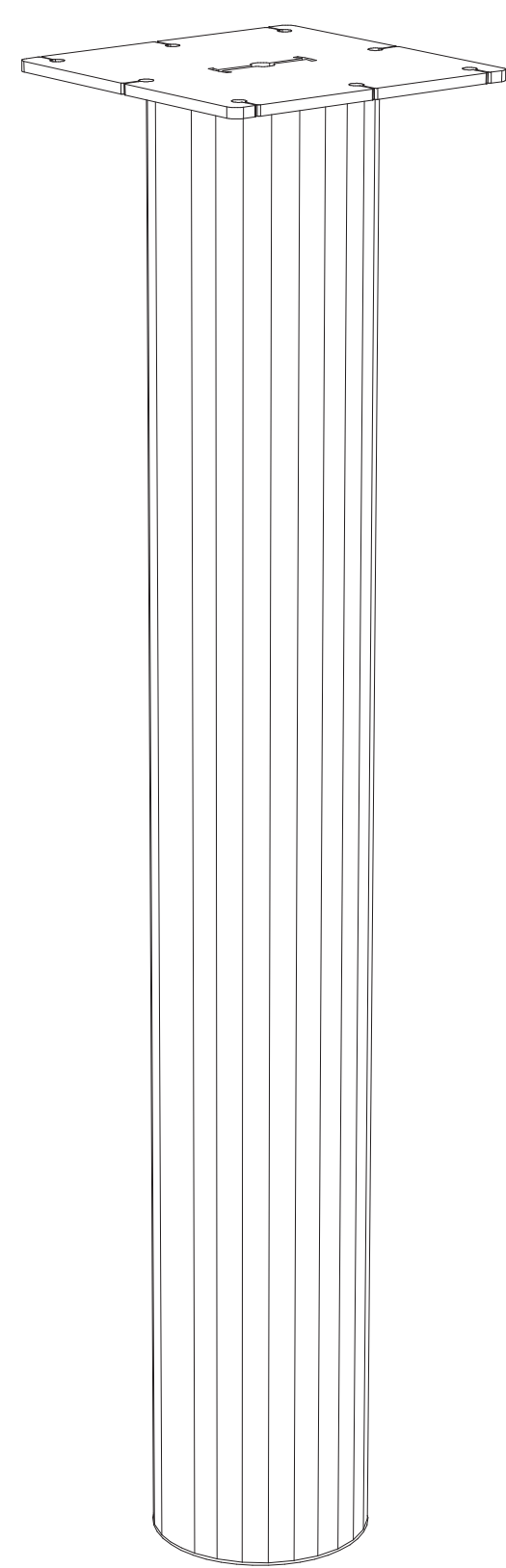
- ONLY AVAILABLE IN BLACK

TO ORDER, SPECIFY:

- PART NUMBER

WIDTH	COLOR	PART NUMBER	LIST PRICE
18"	BLACK	EC-CL-18	\$410

4" ROUND POST LEG



NOTES:

- ONLY AVAILABLE IN BLACK

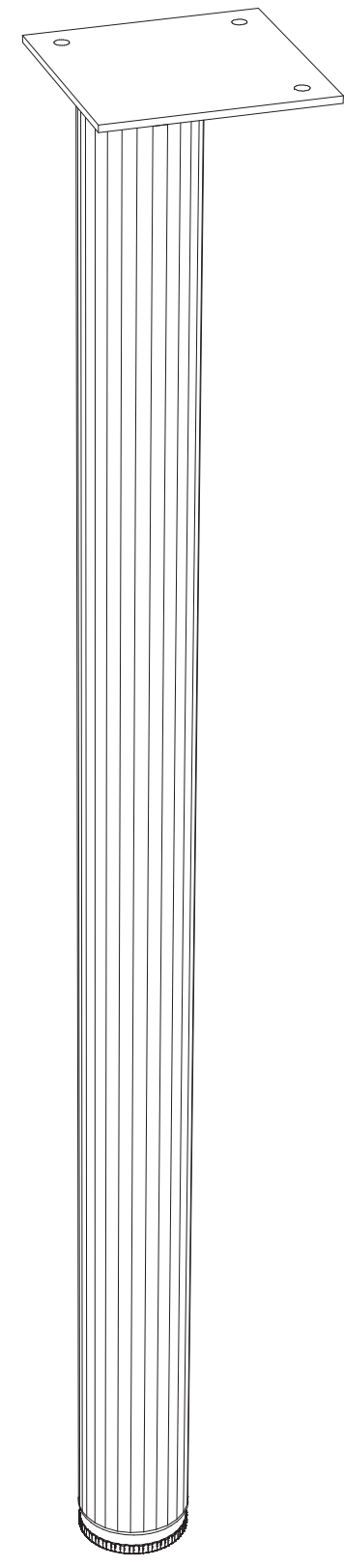
TO ORDER, SPECIFY:

- PART NUMBER

DIAMETER	COLOR	PART NUMBER	LIST PRICE
4"	BLACK	EC-HCC-1	\$184



2" ROUND POST LEG

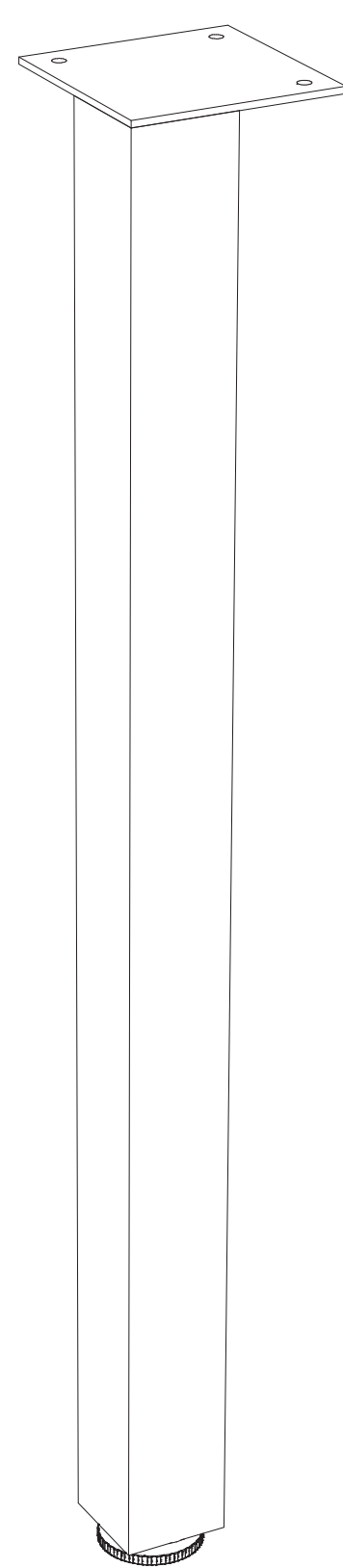


TO ORDER, SPECIFY:

- PART NUMBER
- PAINT COLOR

DIAMETER	SHAPE	PART NUMBER	LIST PRICE
2"	ROUND	EC-PL-27	\$158

2" SQUARE POST LEG



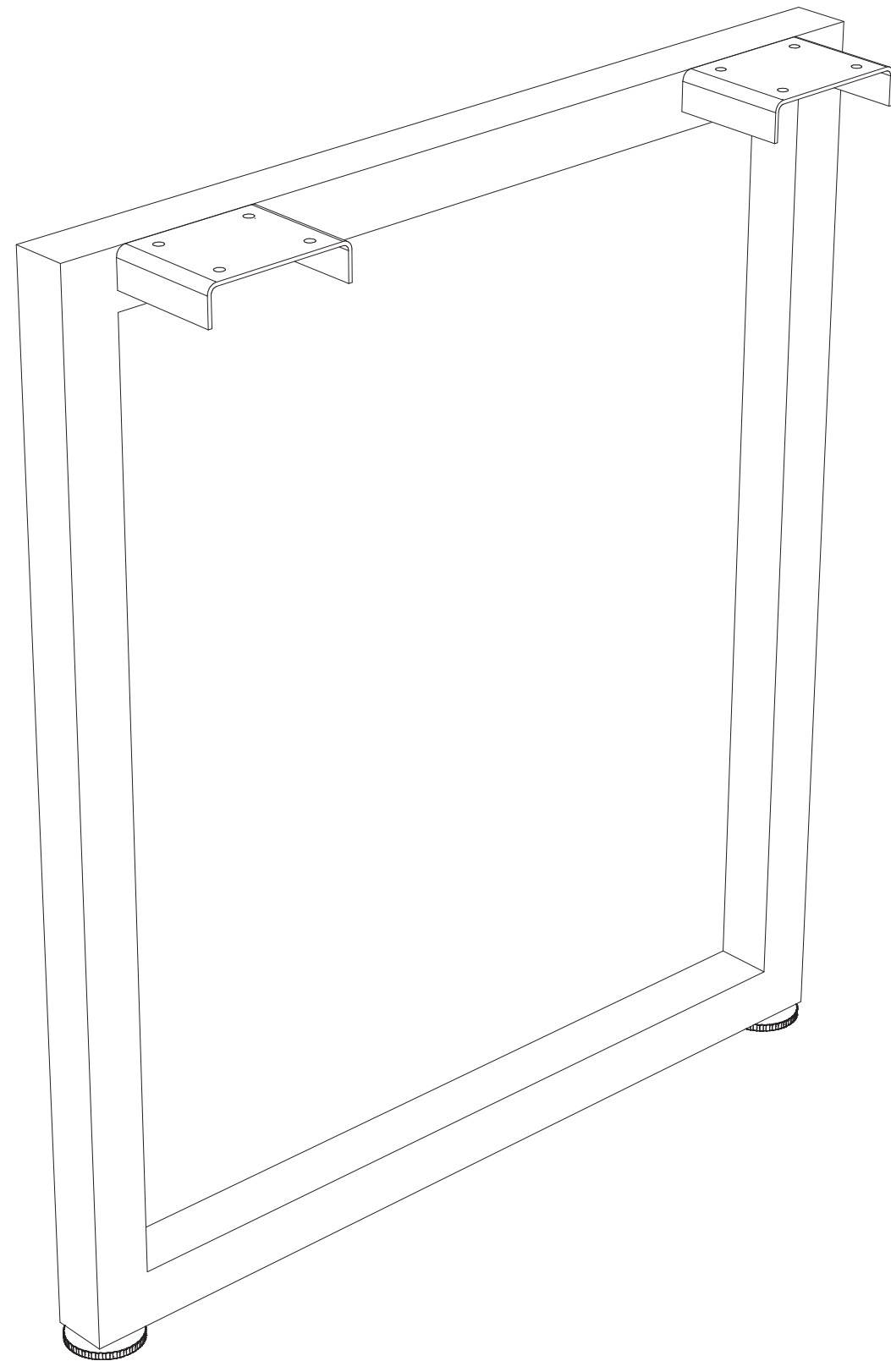
TO ORDER, SPECIFY:

- PART NUMBER
- PAINT COLOR

DIAMETER	SHAPE	PART NUMBER	LIST PRICE
2"	SQUARE	EC-SQ-RH	\$258



OPEN SQUARE LEG



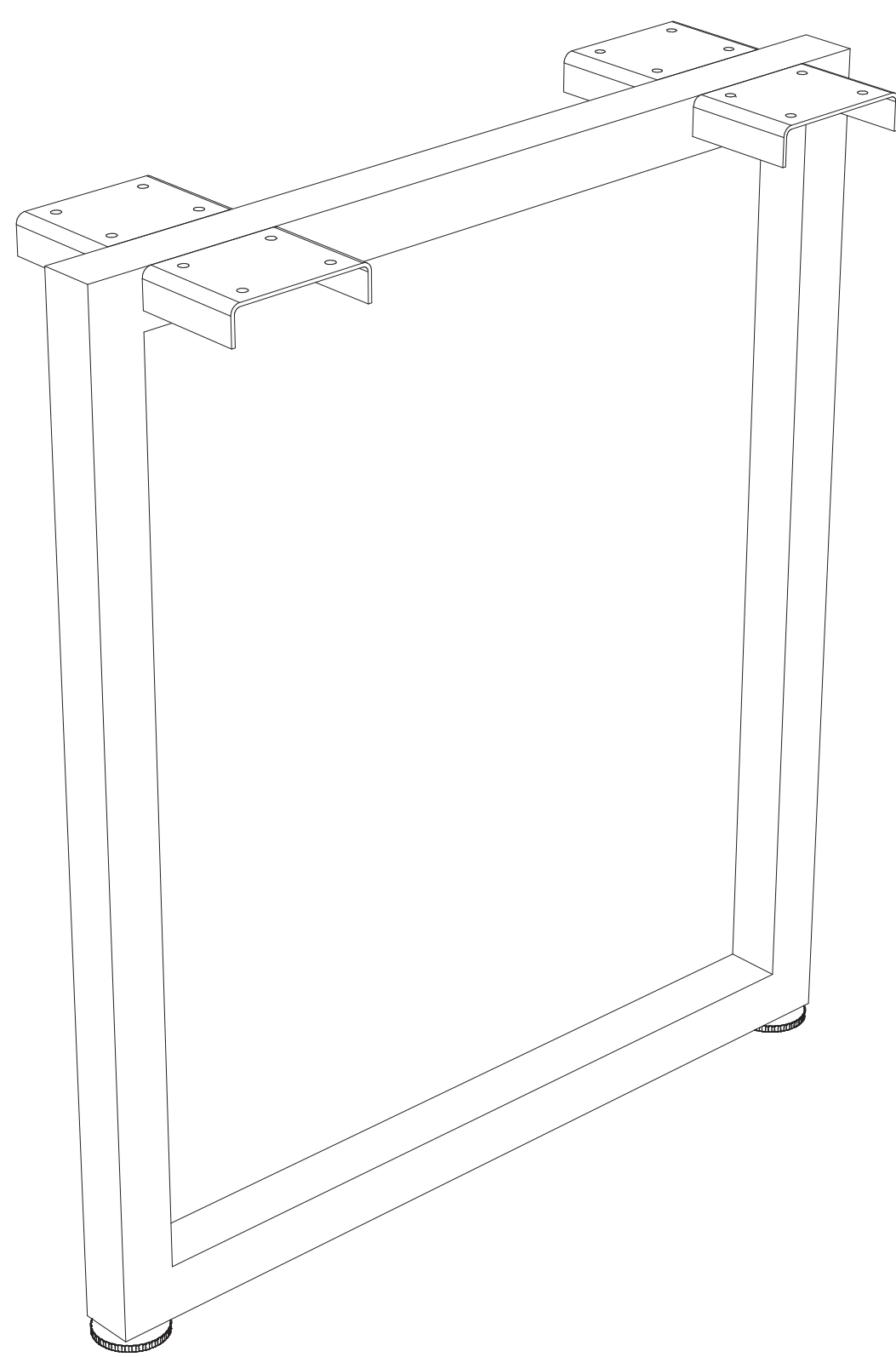
NOTES:

- ECHO SQUARED PANEL MOUNTING BRACKETS INCLUDED

TO ORDER, SPECIFY:

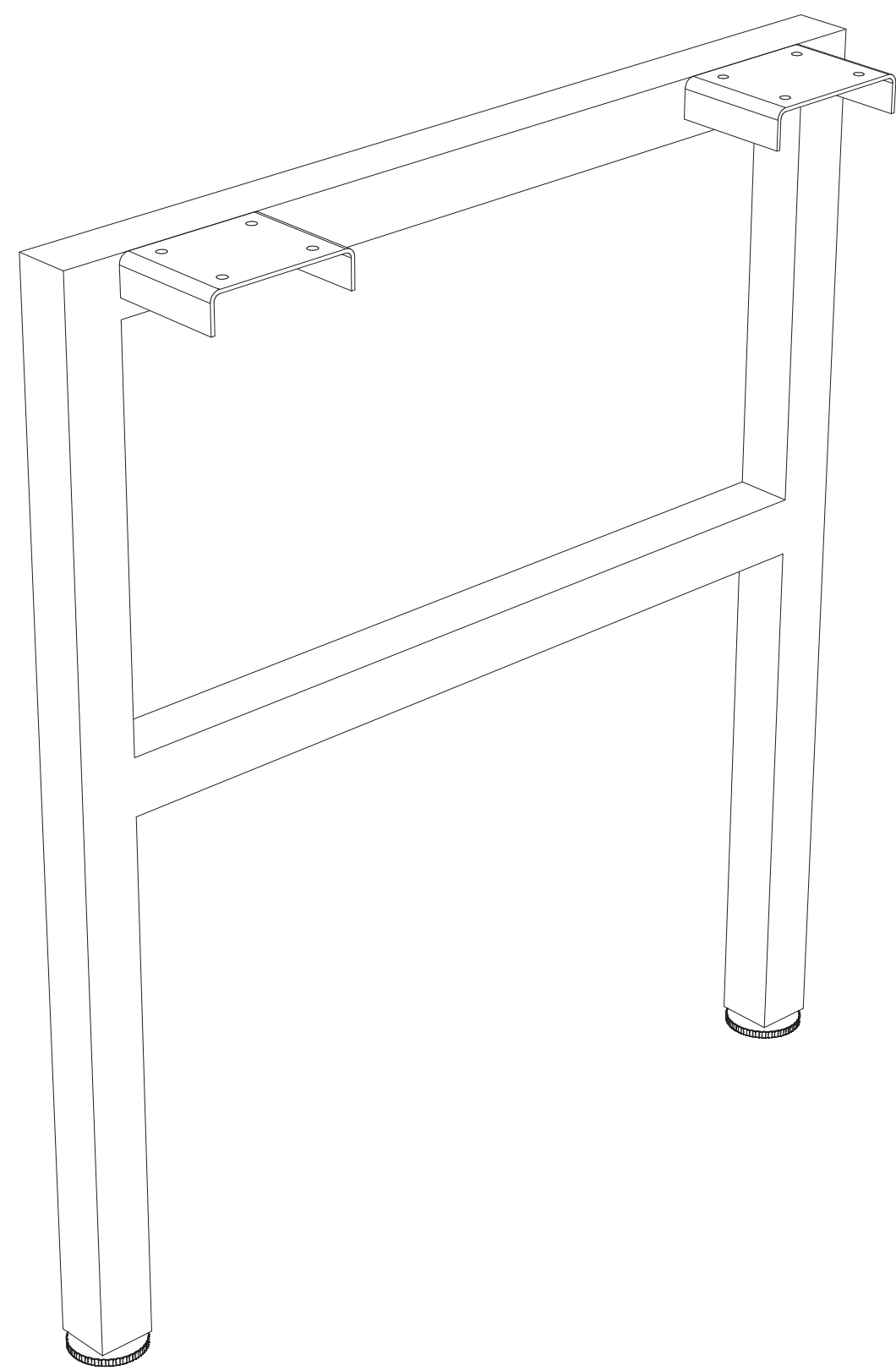
- PART NUMBER/SIZE
- PAINT COLOR

WIDTH	SUPPORT	PART NUMBER	LIST PRICE
23.0625"	SIDE (SHOWN ABOVE)	ECSQ-RSSB-24	\$594
29.0625"	SIDE	ECSQ-RSSB-30	\$646
23.0625"	SHARED (SHOWN BELOW)	ECSQ-RSSB-24-SHD	\$667
29.0625"	SHARED	ECSQ-RSSB-30-SHD	\$720





H-LEG



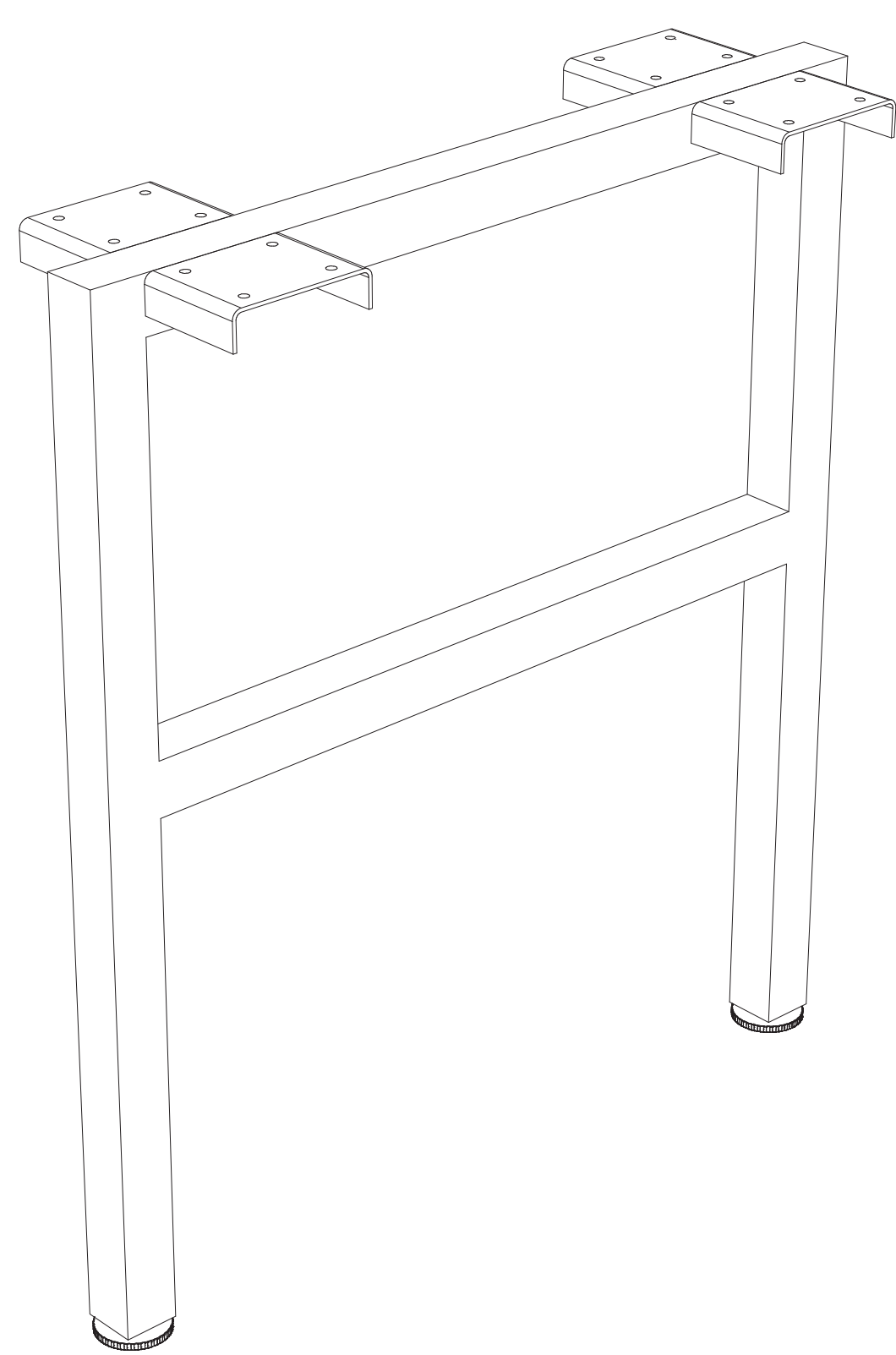
NOTES:

- ECHO SQUARED PANEL MOUNTING BRACKETS INCLUDED

TO ORDER, SPECIFY:

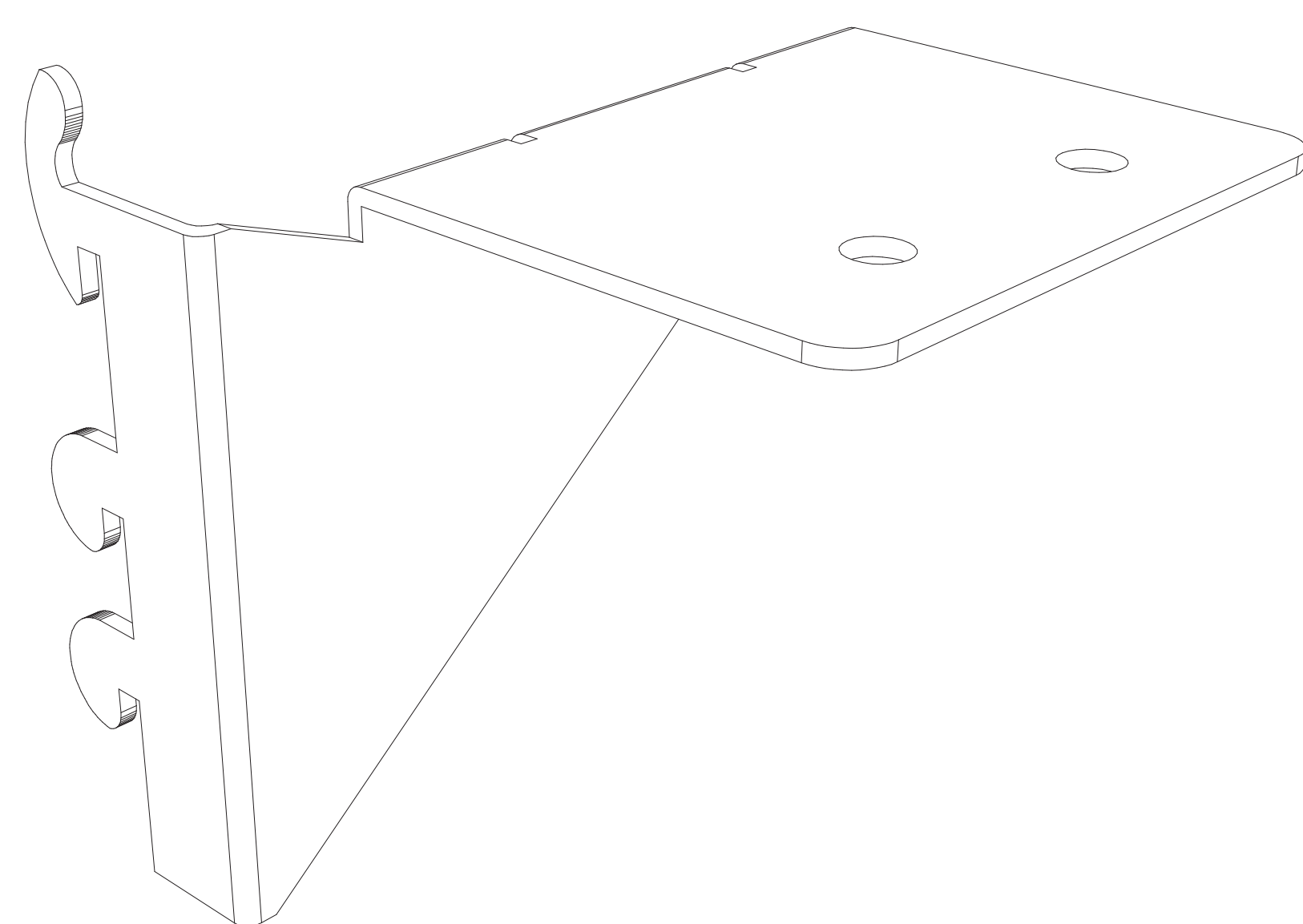
- PART NUMBER
- PAINT COLOR

WIDTH	SUPPORT	PART NUMBER	LIST PRICE
23.0625"	SIDE (SHOWN ABOVE)	ECSQ-RSHL-24	\$594
29.0625"	SIDE	ECSQ-RSHL-30	\$667
23.0625"	SHARED (SHOWN BELOW)	ECSQ-RSHL-24-SHD	\$646
29.0625"	SHARED	ECSQ-RSHL-30-SHD	\$720





CORNER BRACKET

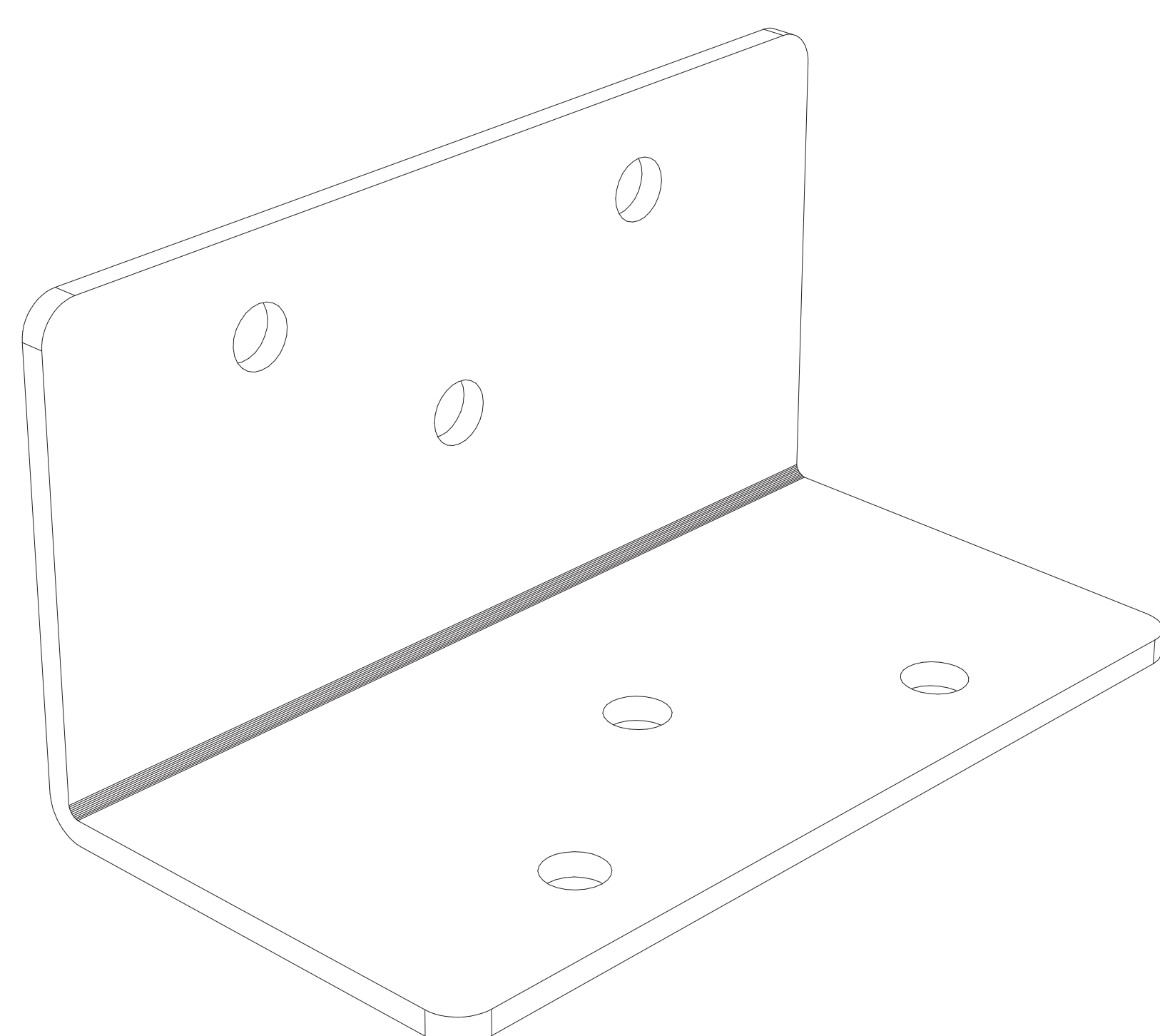


TO ORDER, SPECIFY:

- PART NUMBER

COLOR	SUPPORT	PART NUMBER	LIST PRICE
UNPAINTED	CORNER WORKSURFACE SUPPORT	EC-CB	\$21

L-BRACKET



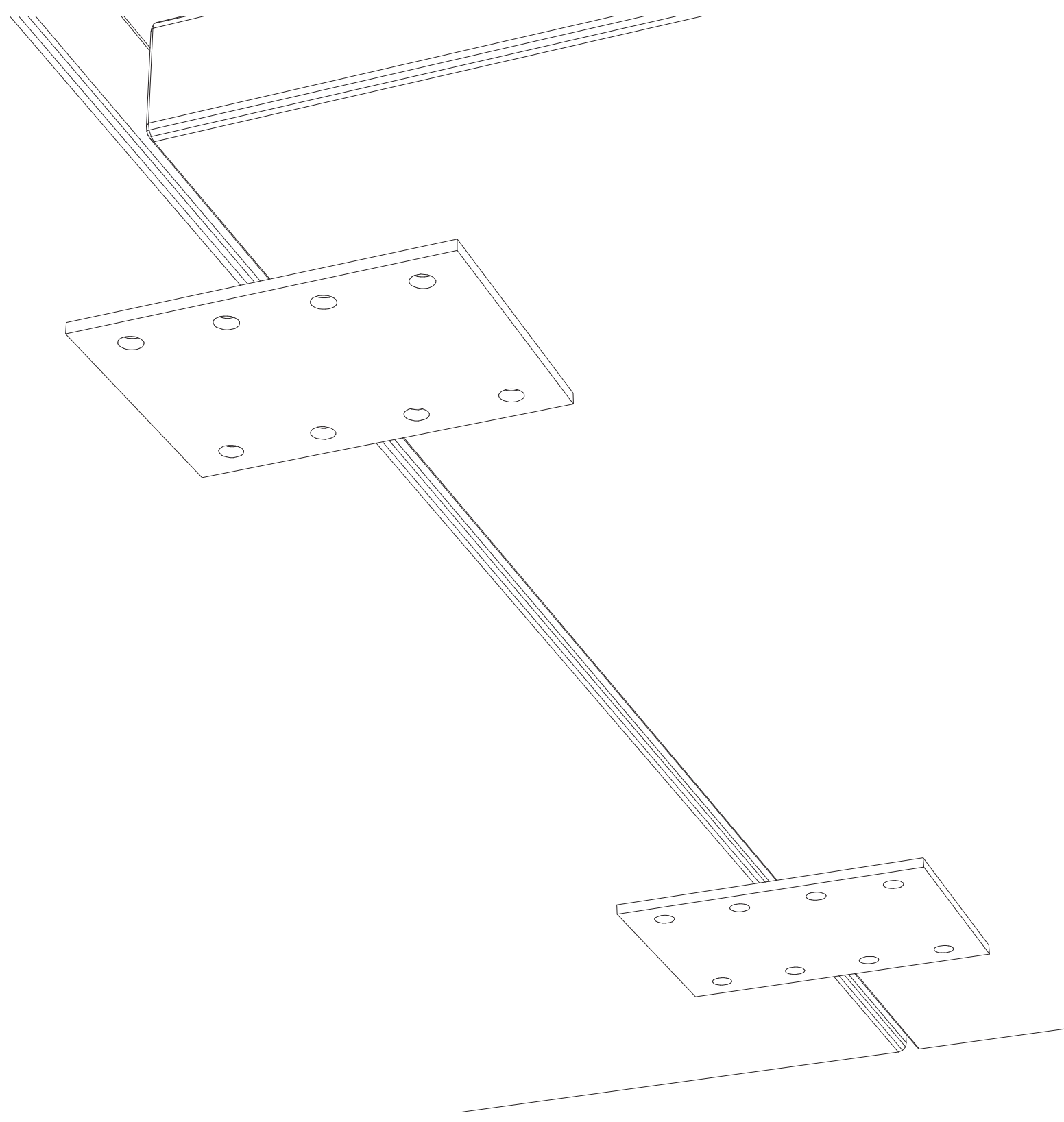
TO ORDER, SPECIFY:

- PART NUMBER

COLOR	SUPPORT	PART NUMBER	LIST PRICE
BLACK	LAMINATE SUPPORT BRACKET	EC-L-BRACKET	\$6



FLUSH-MOUNT KIT



FEATURES:

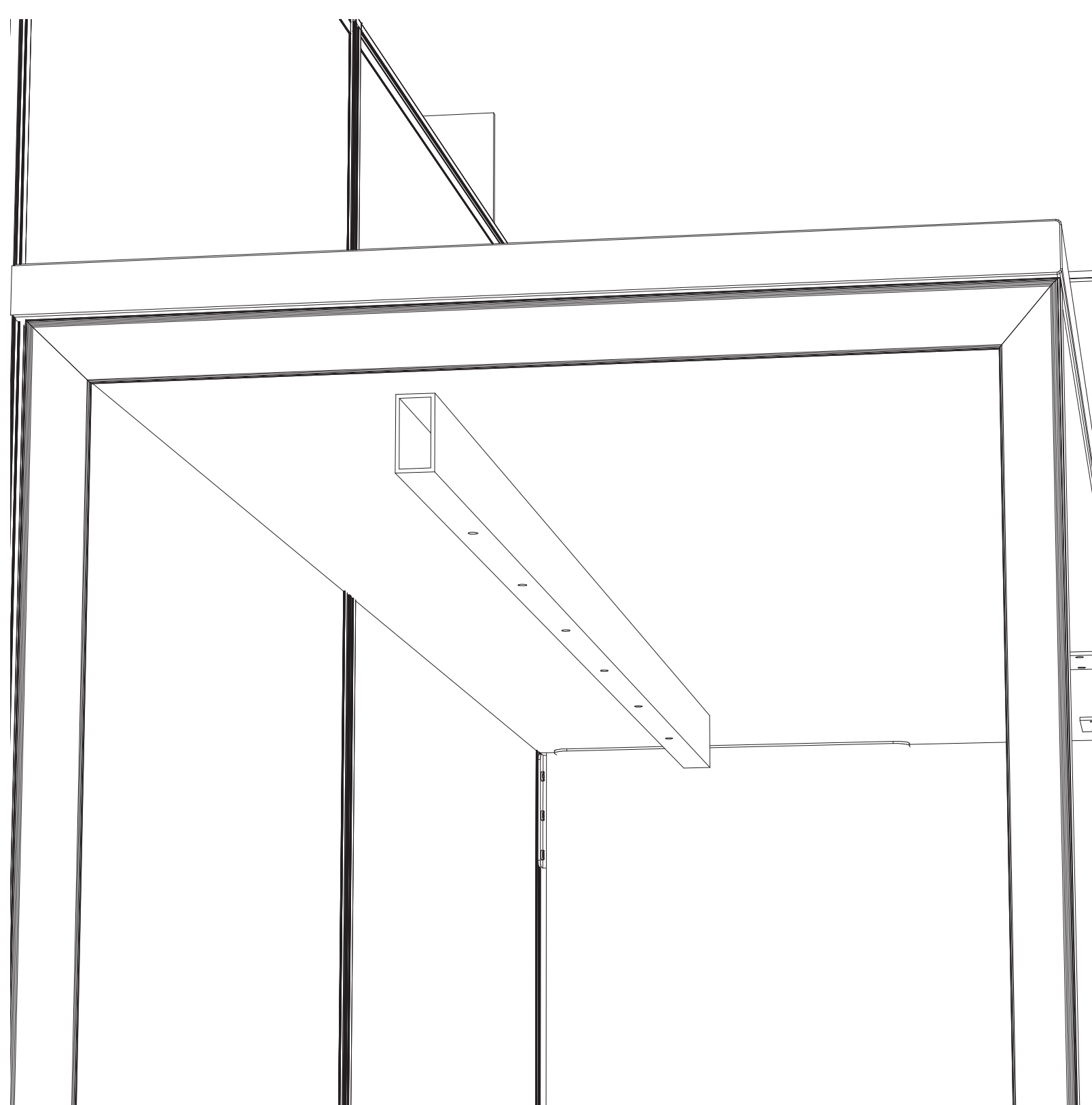
- INCLUDES TWO MOUNTING PLATES

TO ORDER, SPECIFY:

- PART NUMBER
- PAINT COLOR

COLOR	SUPPORT	PART NUMBER	LIST PRICE
UNPAINTED	CONNECT TWO ADJOINING SURFACES	EC-FMK-1 (PAIR)	\$37

SUPPORT BAR



FEATURES:

- MOUNTING HARDWARE INCLUDED

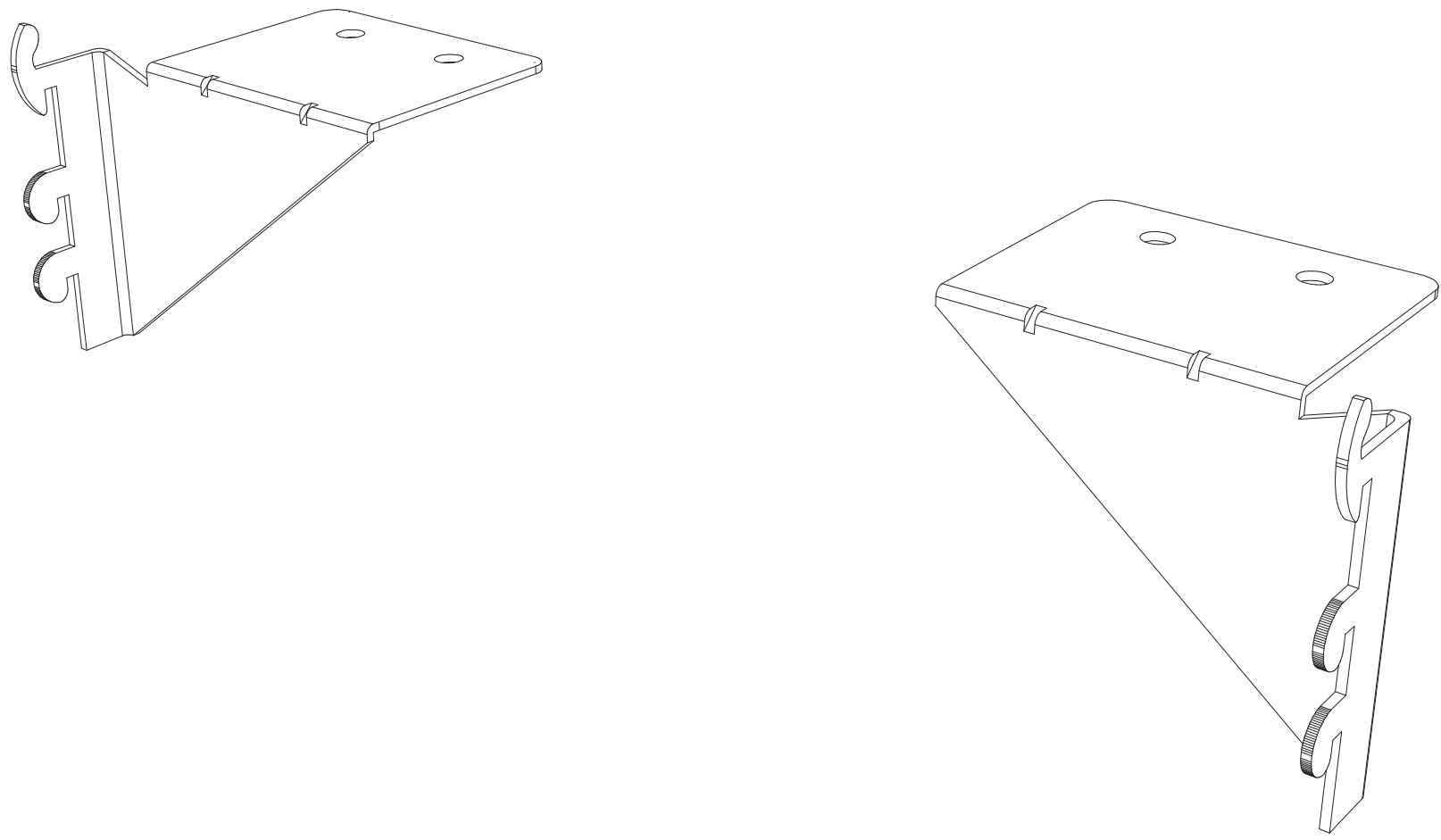
TO ORDER, SPECIFY:

- PART NUMBER

LENGTH	SUPPORT	PART NUMBER	LIST PRICE
54"	SUPPORT 60" SURFACE TO PREVENT BOWING	EC-SPCLT-BAR	\$147



SIDE-MOUNT KIT

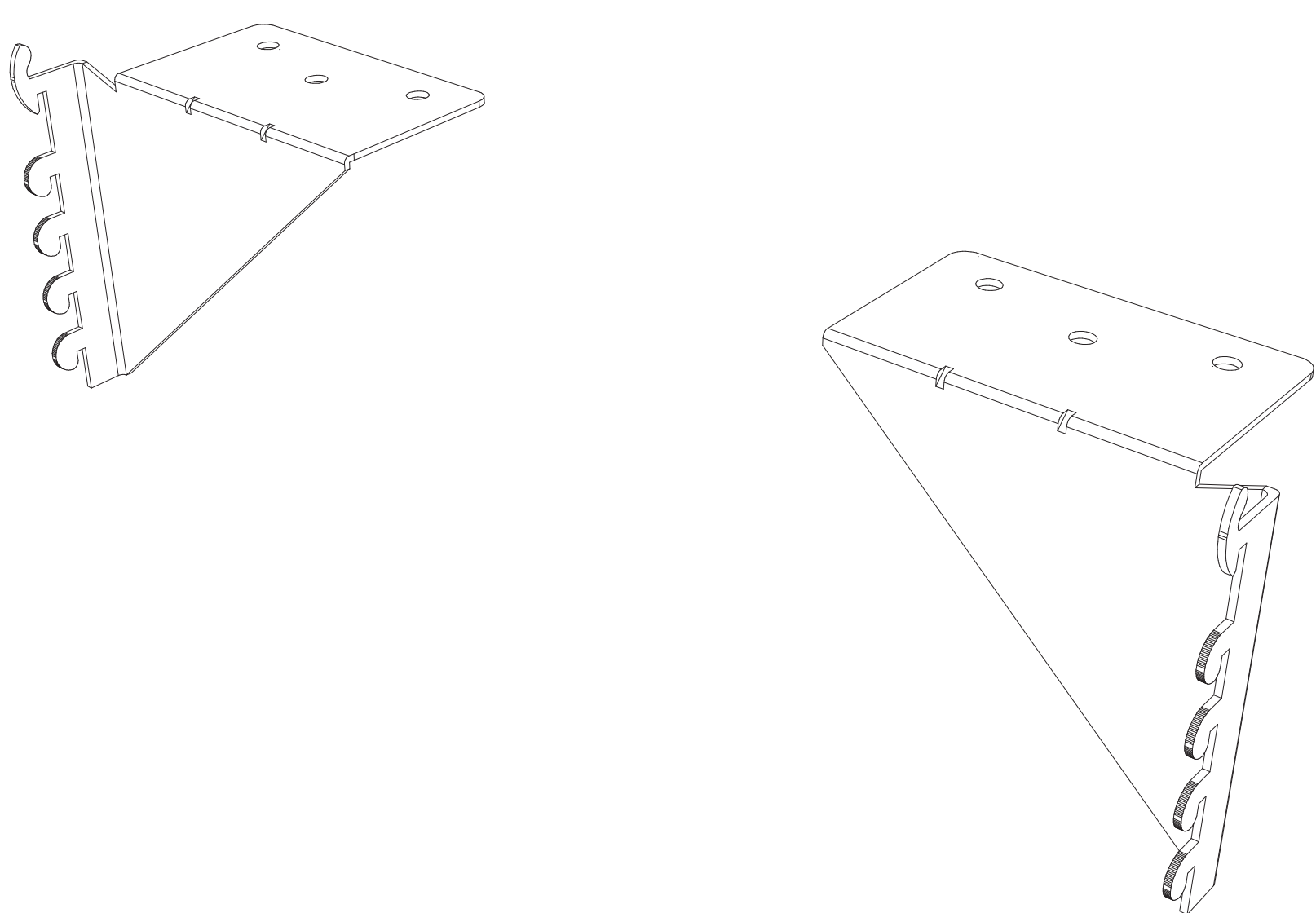


TO ORDER, SPECIFY:

- PART NUMBER
- PAINT COLOR

SIDE	SUPPORT	PART NUMBER	LIST PRICE
LEFT/RIGHT PAIR	SUPPORT SIDE OR CORNER OF WORKSURFACE ON PANEL/WALL TRACK	EC-SMK-1 (PAIR)	\$37

PANEL-MOUNT KIT



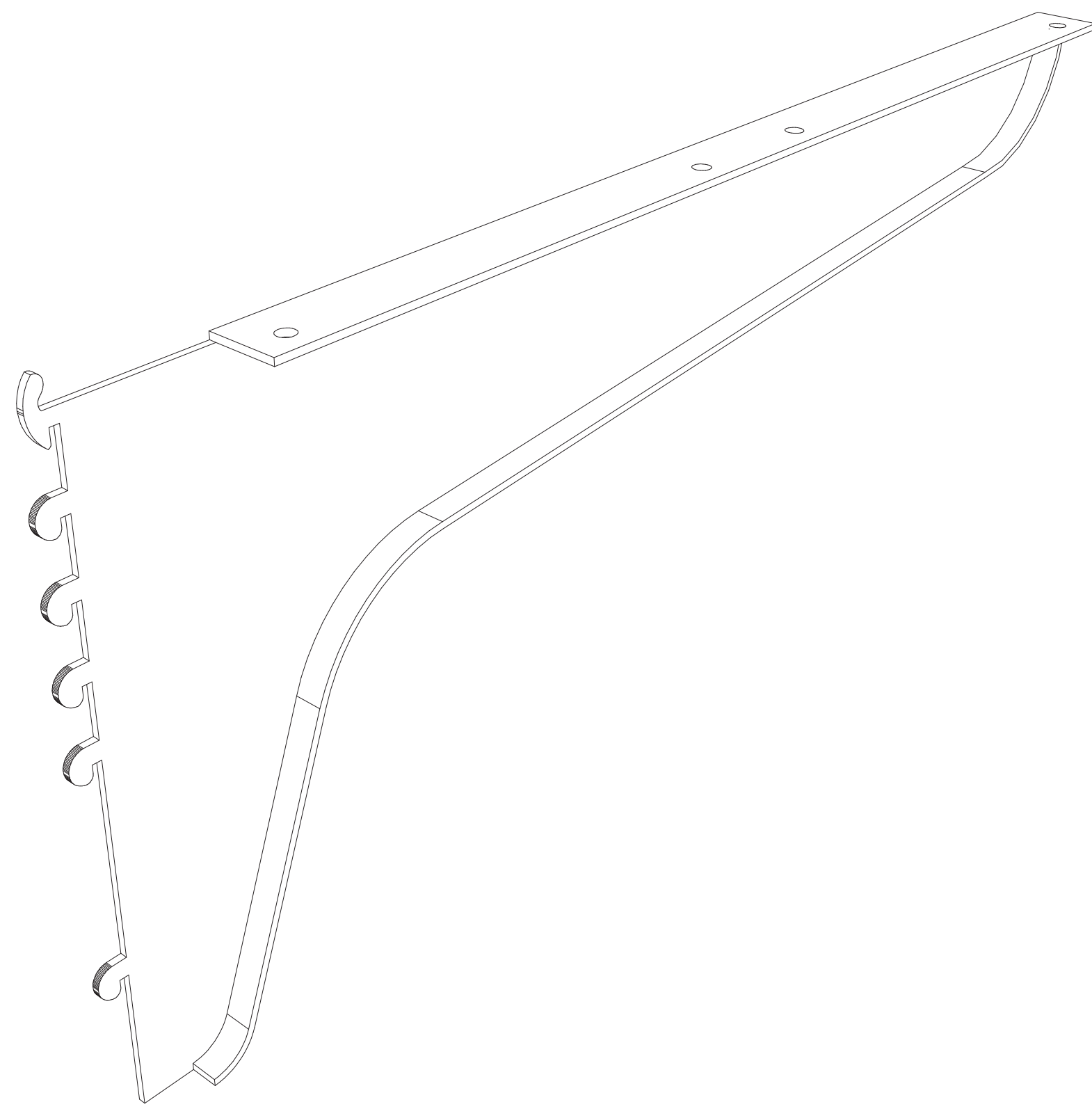
TO ORDER, SPECIFY:

- PART NUMBER
- PAINT COLOR

SIDE	SUPPORT	PART NUMBER	LIST PRICE
LEFT/RIGHT PAIR	SUPPORT SIDE OR CORNER OF WORKSURFACE ON PANEL/WALL TRACK	EC-PMK-1 (PAIR)	\$42



CANTILEVER

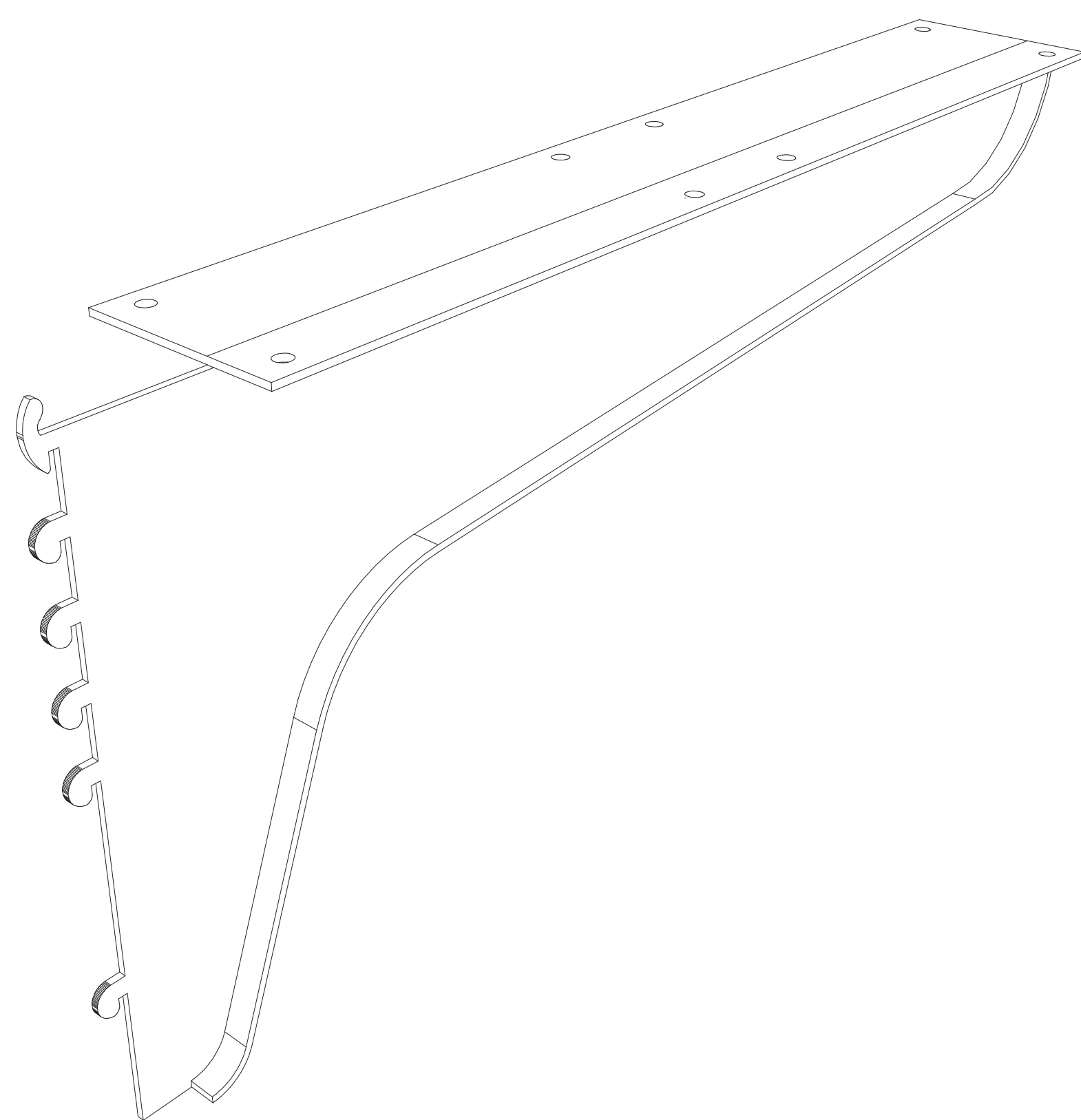


TO ORDER, SPECIFY:

- PART NUMBER

COLOR	SUPPORT	PART NUMBER	LIST PRICE
BLACK	LEFT SIDE OF SURFACE	EC-JUS-CANT-L-CH	\$53
BLACK	RIGHT SIDE OF SURFACE	EC-JUS-CANT-R-CH	\$53

SHARED CANTILEVER



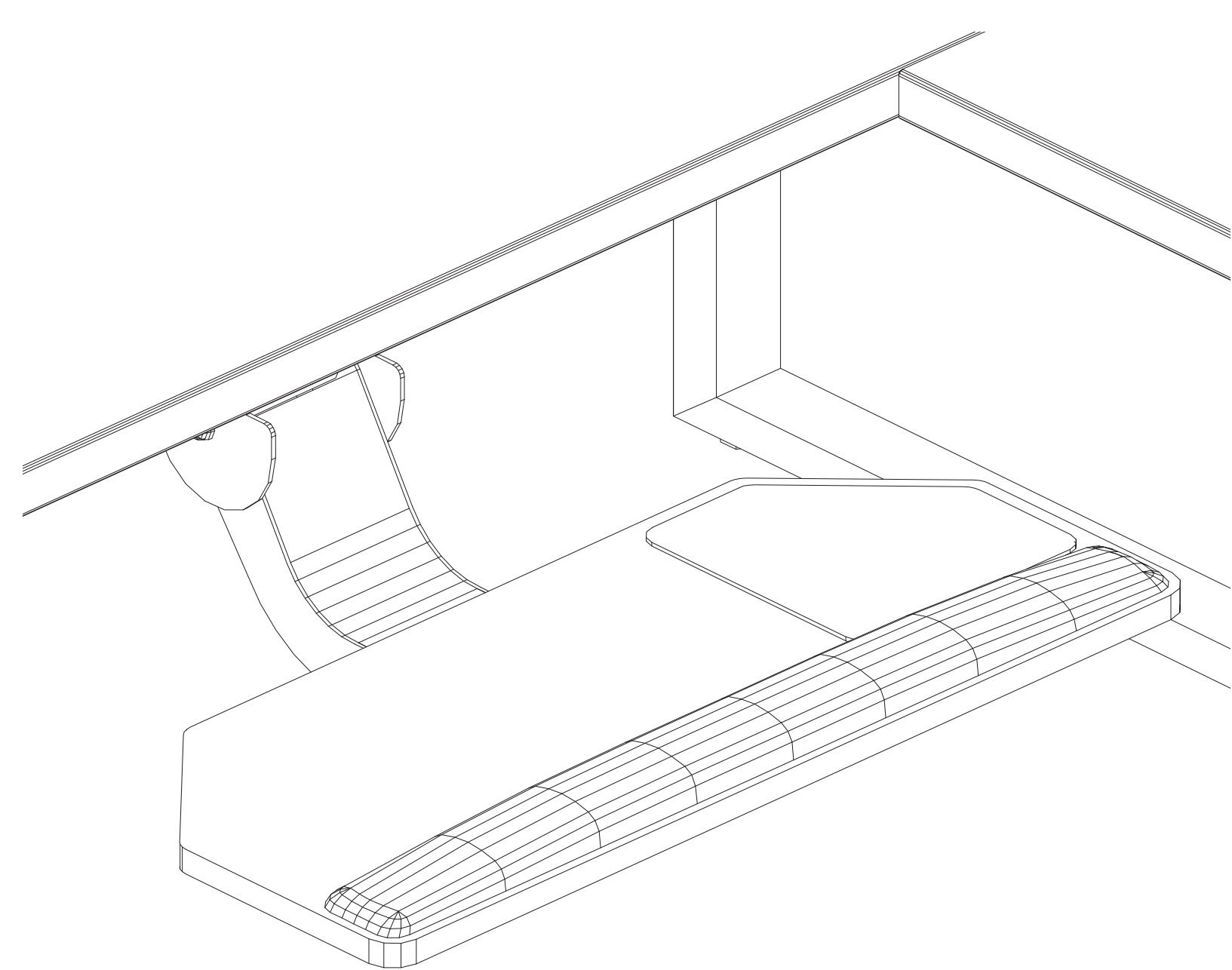
TO ORDER, SPECIFY:

- PART NUMBER

COLOR	SUPPORT	PART NUMBER	LIST PRICE
BLACK	SHARED LEFT SUPPORT ON TWO ADJOINING SURFACES	EC-JUS-CANT-SHD-CL-CH	\$63
BLACK	SHARED RIGHT SUPPORT ON TWO ADJOINING SURFACES	EC-JUS-CANT-SHD-CR-CH	\$63



KEYBOARD TRAY

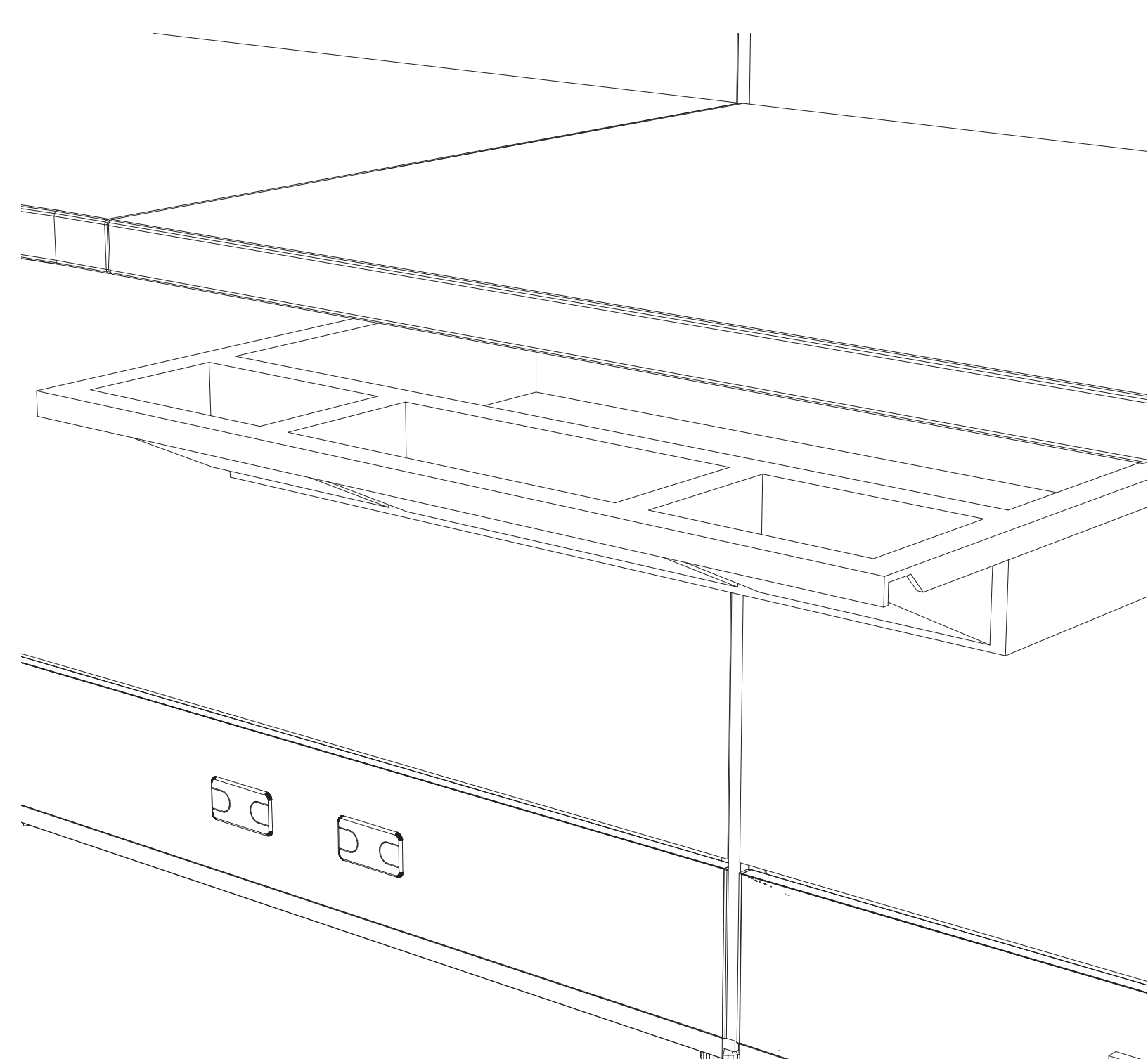


TO ORDER, SPECIFY:

- PART NUMBER

COLOR	DESCRIPTION	PART NUMBER	LIST PRICE
BLACK	ARTICULATING KEYBOARD TRAY	EC-AKP-ESI	\$651

PENCIL TRAY



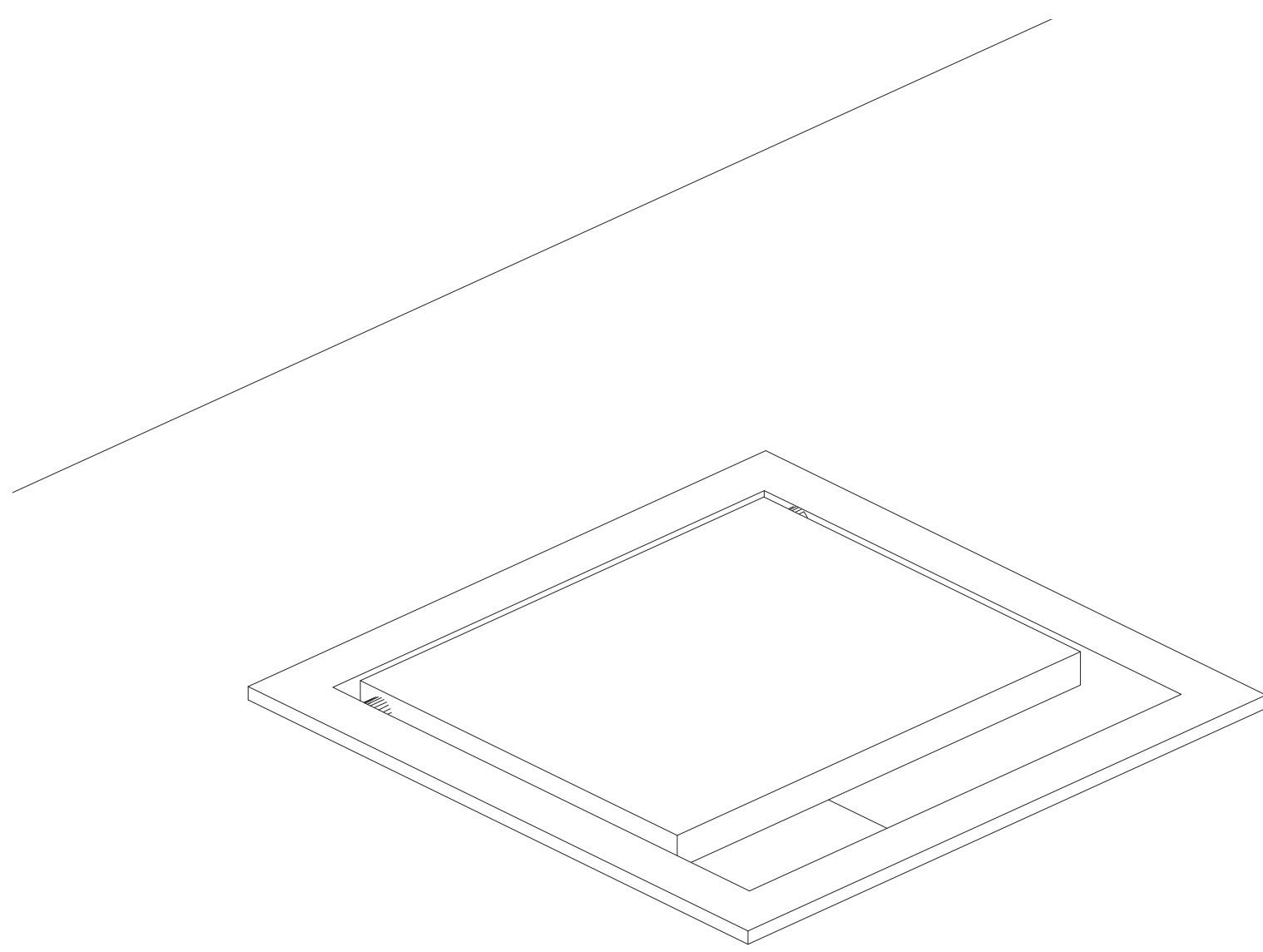
TO ORDER, SPECIFY:

- PART NUMBER

COLOR	DESCRIPTION	PART NUMBER	LIST PRICE
GRAPHITE	PLASTIC PENCIL TRAY THAT MOUNTS TO SURFACE	EC-DS-3-GR-C	\$69



GROMMETS



TO ORDER, SPECIFY:

- PART NUMBER

FIGURE: 1

COLOR	DESCRIPTION	PART NUMBER	LIST PRICE
BLACK	ROUND PLASTIC GROMMET WITH REMOVABLE TOP (SEE FIGURE-2)	EC-WSG-1	\$37
BLACK	SQUARE METAL GROMMET WITH HINGED TOP (SEE FIGURE-1)	ECSQ-GROMMET	\$53
BLACK	RECTANGLE METAL GROMMET WITH HINGED TOP (SEE FIGURE-3)	EC-VIL-GROM-B	\$58

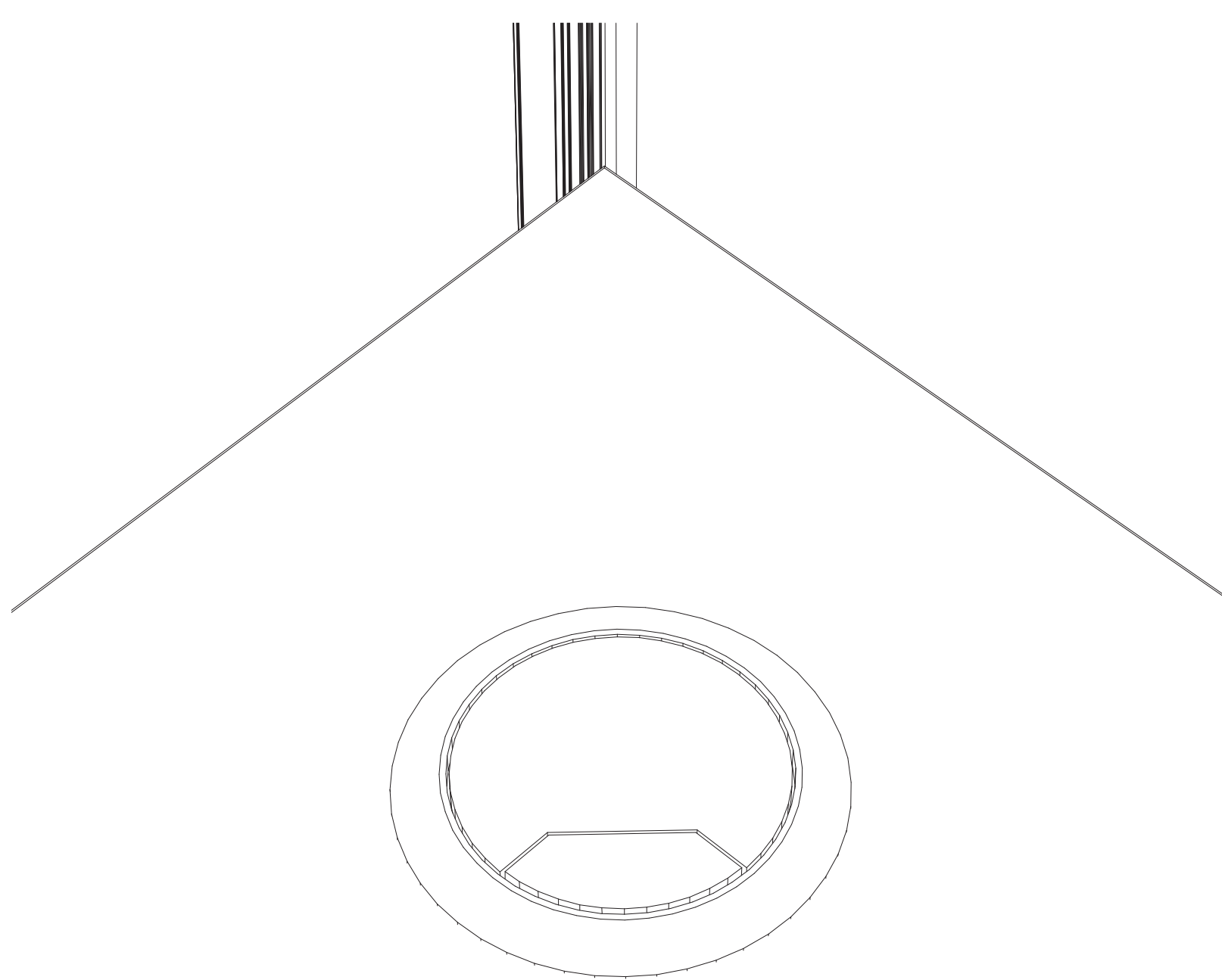


FIGURE: 2

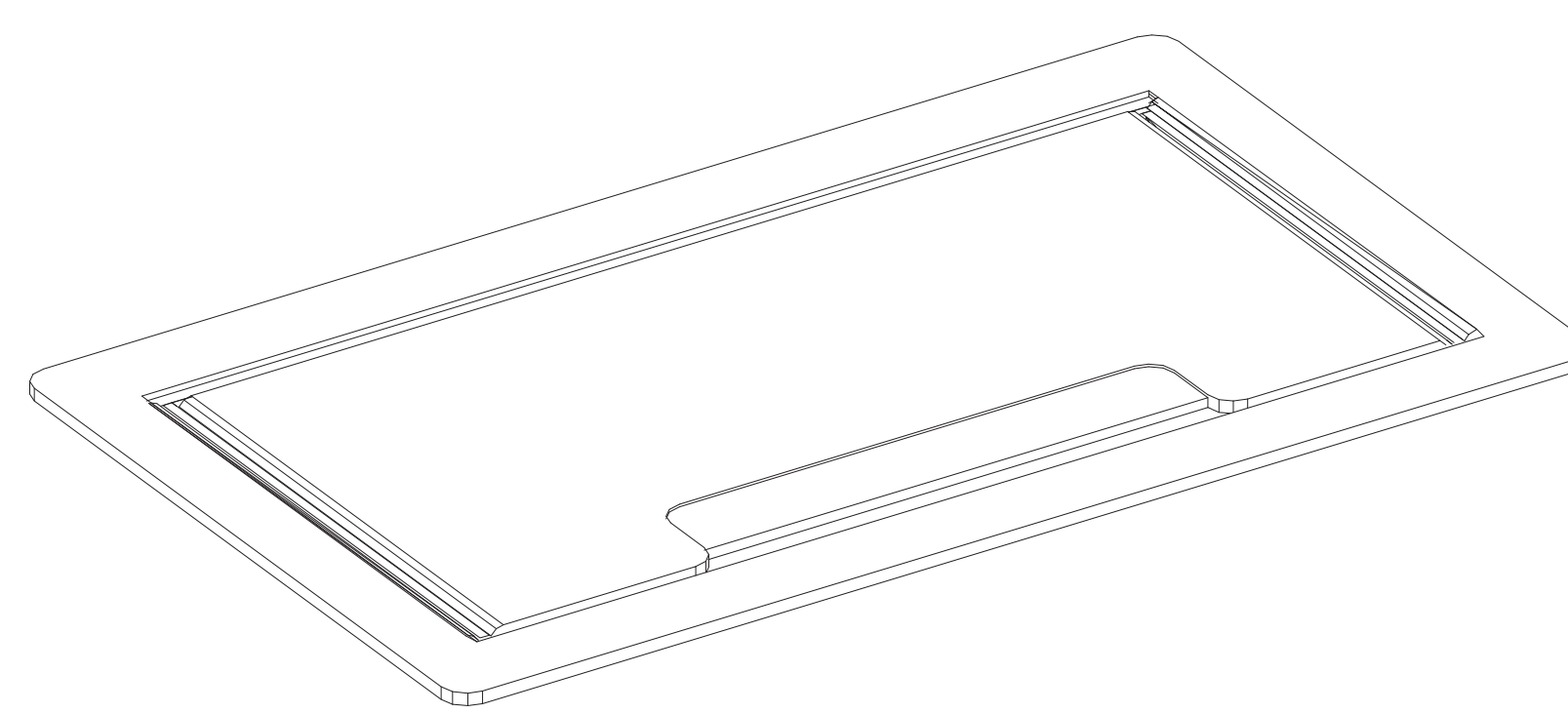


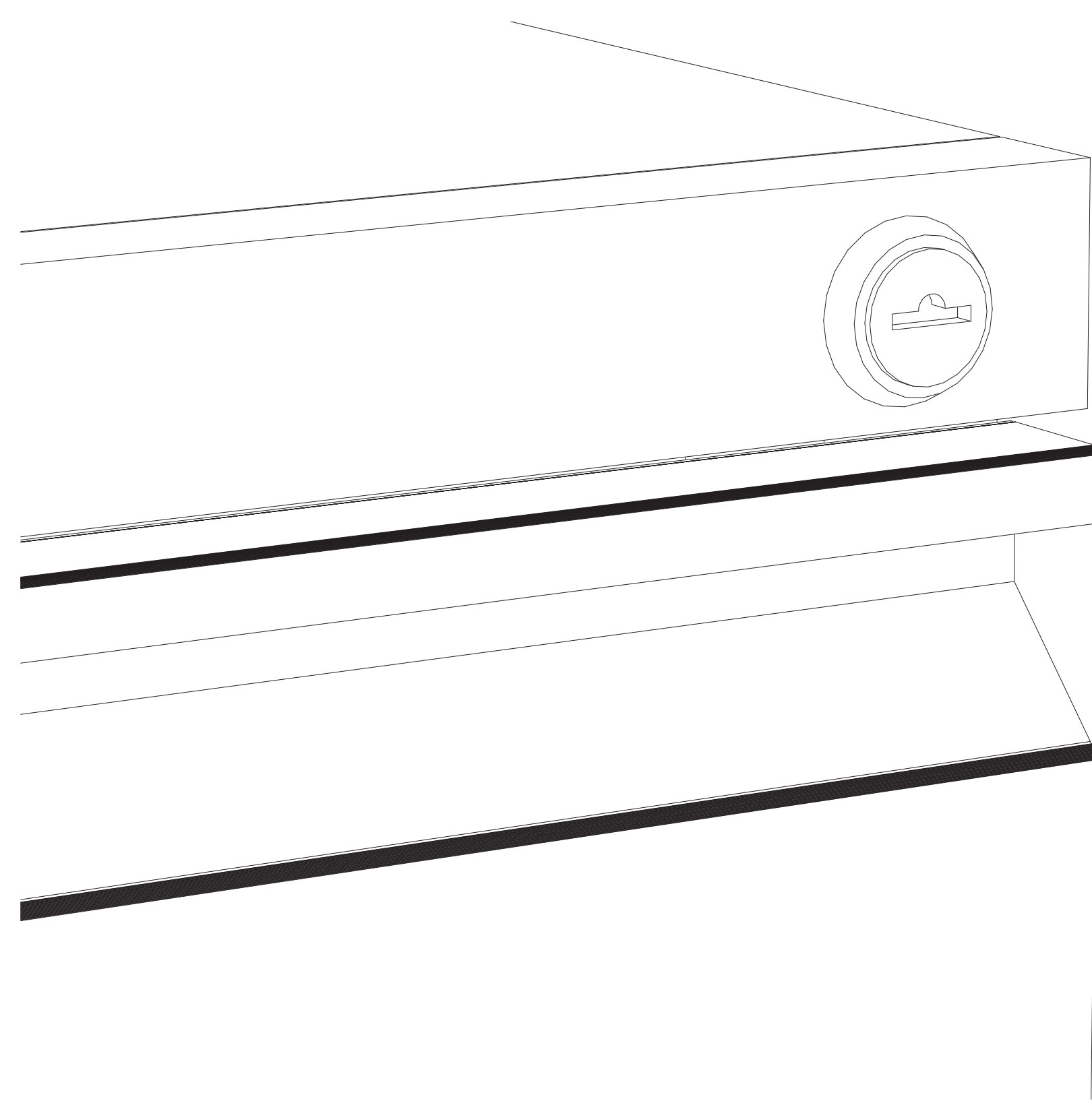
FIGURE: 3

NOTES:

- CONTACT RSI FOR CUT DIMENSIONS



KEY-ALIKE SETS



TO ORDER, SPECIFY:

- PART NUMBER

TYPE	DESCRIPTION	PART NUMBER	LIST PRICE
KEY AND PLUG SET	SET OF 1	EC-KEYALIKE-1	\$21
KEY AND PLUG SET	MATCHING SET OF 2	EC-KEYALIKE-2	\$37
KEY AND PLUG SET	MATCHING SET OF 3	EC-KEYALIKE-3	\$53
KEY AND PLUG SET	MATCHING SET OF 4	EC-KEYALIKE-4	\$74
KEY AND PLUG SET	MATCHING SET OF 5	EC-KEYALIKE-5	\$90
KEY AND PLUG SET	MATCHING SET OF 6	EC-KEYALIKE-6	\$105
KEY AND PLUG SET	MATCHING SET OF 7	EC-KEYALIKE-7	\$126
KEY AND PLUG SET	MATCHING SET OF 8	EC-KEYALIKE-8	\$142
KEY AND PLUG SET	MATCHING SET OF 9	EC-KEYALIKE-9	\$158
KEY AND PLUG SET	MATCHING SET OF 10	EC-KEYALIKE-10	\$174

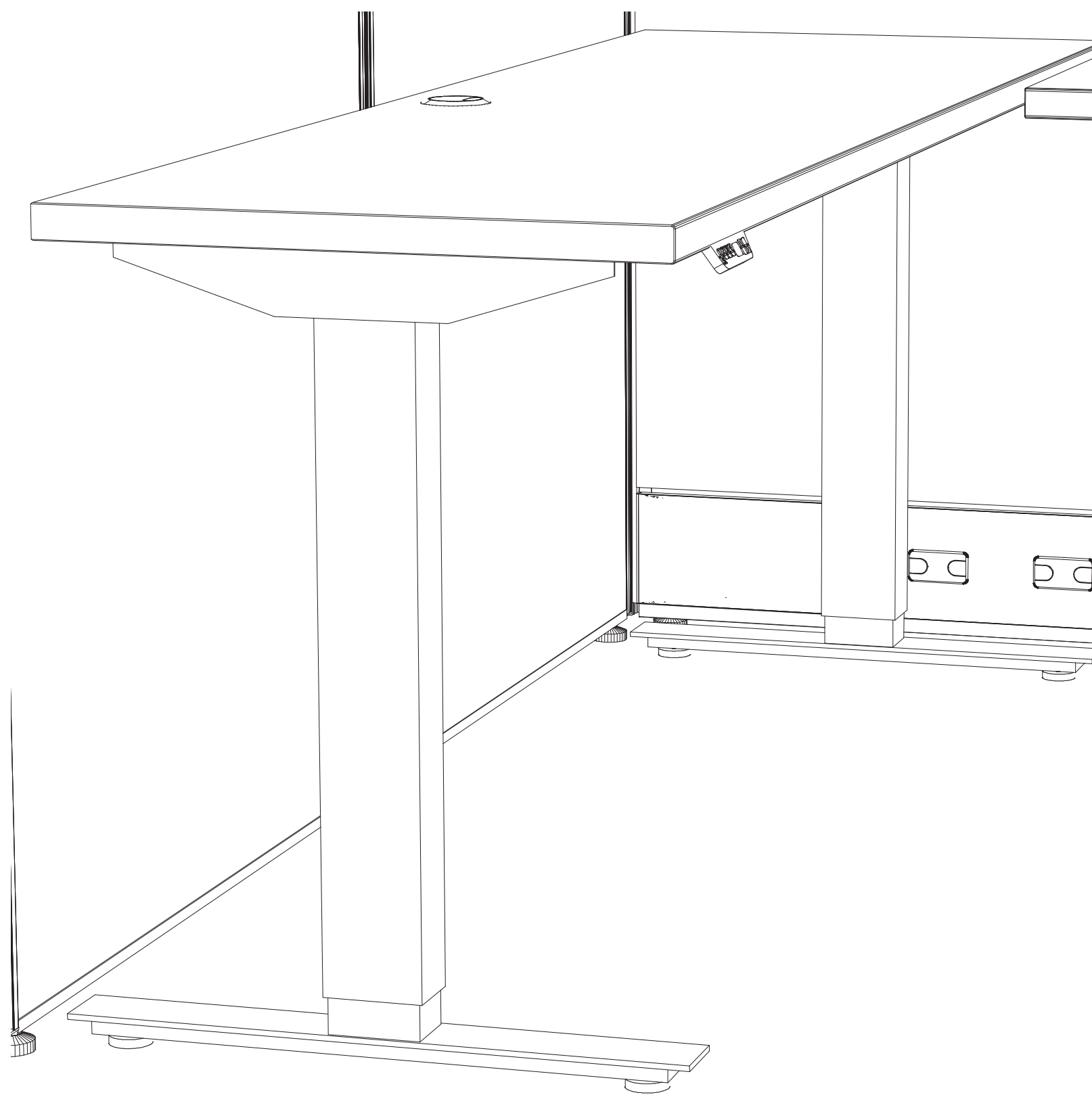
KEY-ALIKE SETS

NOW AVAILABLE ON EASYKEYS.COM!

TYPE	DESCRIPTION	PART NUMBER	LIST PRICE
KEY ONLY	SET OF 1	EC-KEY-ONLY	\$11



CLEVER HEIGHT AJUSTABLE BASE



FEATURES:

- PROGRAM UP TO FOUR SET HEIGHTS
- DUAL MOTOR
- MADE IN U.S.

TO ORDER, SPECIFY:

- PART NUMBER
- COLOR

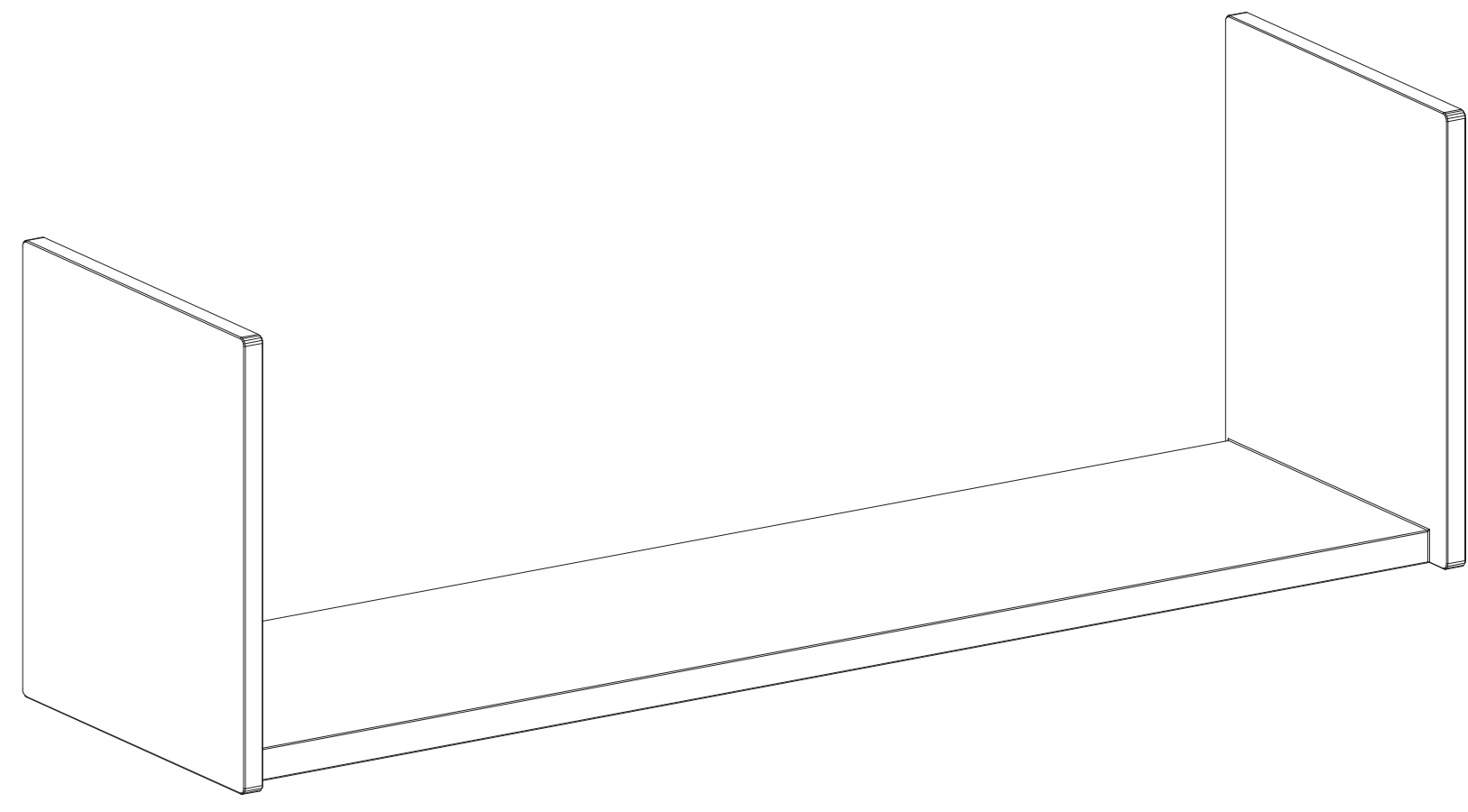
DESCRIPTION	PART NUMBER	LIST PRICE
DUAL MOTOR HEIGHT ADJUSTABLE BASE WITH PROGRAMMABLE HANDSET	EC-CLEVER-HAB	\$1707
SUPPORT CHANNEL USED FOR SURFACES 69"-84" WIDE	EC-CHANNEL-HAT	\$163

NOTES:

- SURFACES 69"-84" REQUIRE A SUPPORT CHANNEL
- SURFACE NOT INCLUDED
- ADJUSTABLE BASE ONLY AVAILABLE IN SILVER



FULL HEIGHT SHELF



TO ORDER, SPECIFY:

- PART NUMBER
- PAINT COLOR

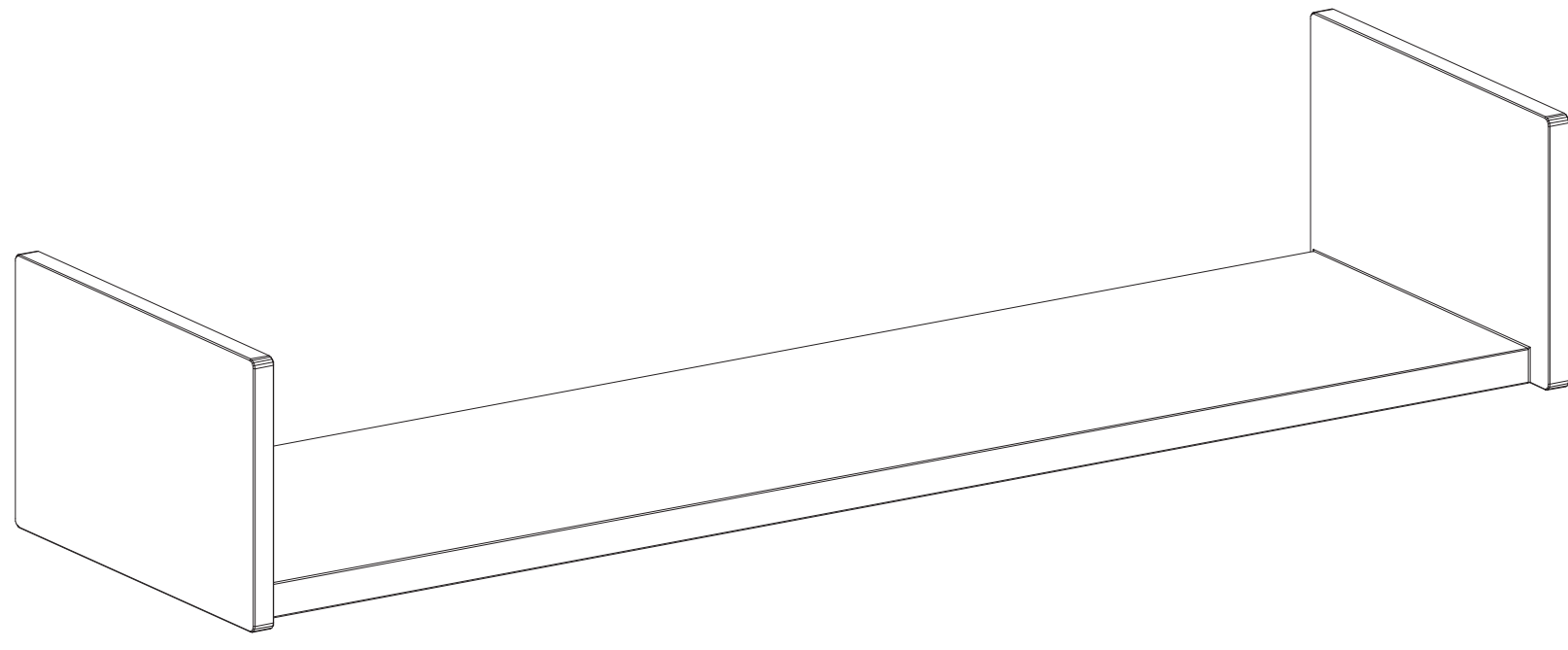
HEIGHT	WIDTH	DEPTH	PART NUMBER	LIST PRICE
15.75"	24"	13.625"	EC-SR-2	\$153
15.75"	30"	13.625"	EC-SR-30	\$163
15.75"	36"	13.625"	EC-SR-36	\$158
15.75"	42"	13.625"	EC-SR-42	\$174
15.75"	48"	13.625"	EC-SR-4	\$168
15.75"	60"	13.625"	EC-SR-5	\$195



LOW SHELF

TO ORDER, SPECIFY:

- PART NUMBER
- PAINT COLOR



HEIGHT	WIDTH	DEPTH	PART NUMBER	LIST PRICE
15.75"	24"	13.625"	EC-SL-2	\$153
15.75"	30"	13.625"	EC-SL-30	\$163
15.75"	36"	13.625"	EC-SL-36	\$153
15.75"	42"	13.625"	EC-SL-42	\$163
15.75"	48"	13.625"	EC-SL-4	\$163
15.75"	60"	13.625"	EC-SL-5	\$179



FABRIC FLIPPER DOOR FOR FULL HEIGHT SHELF



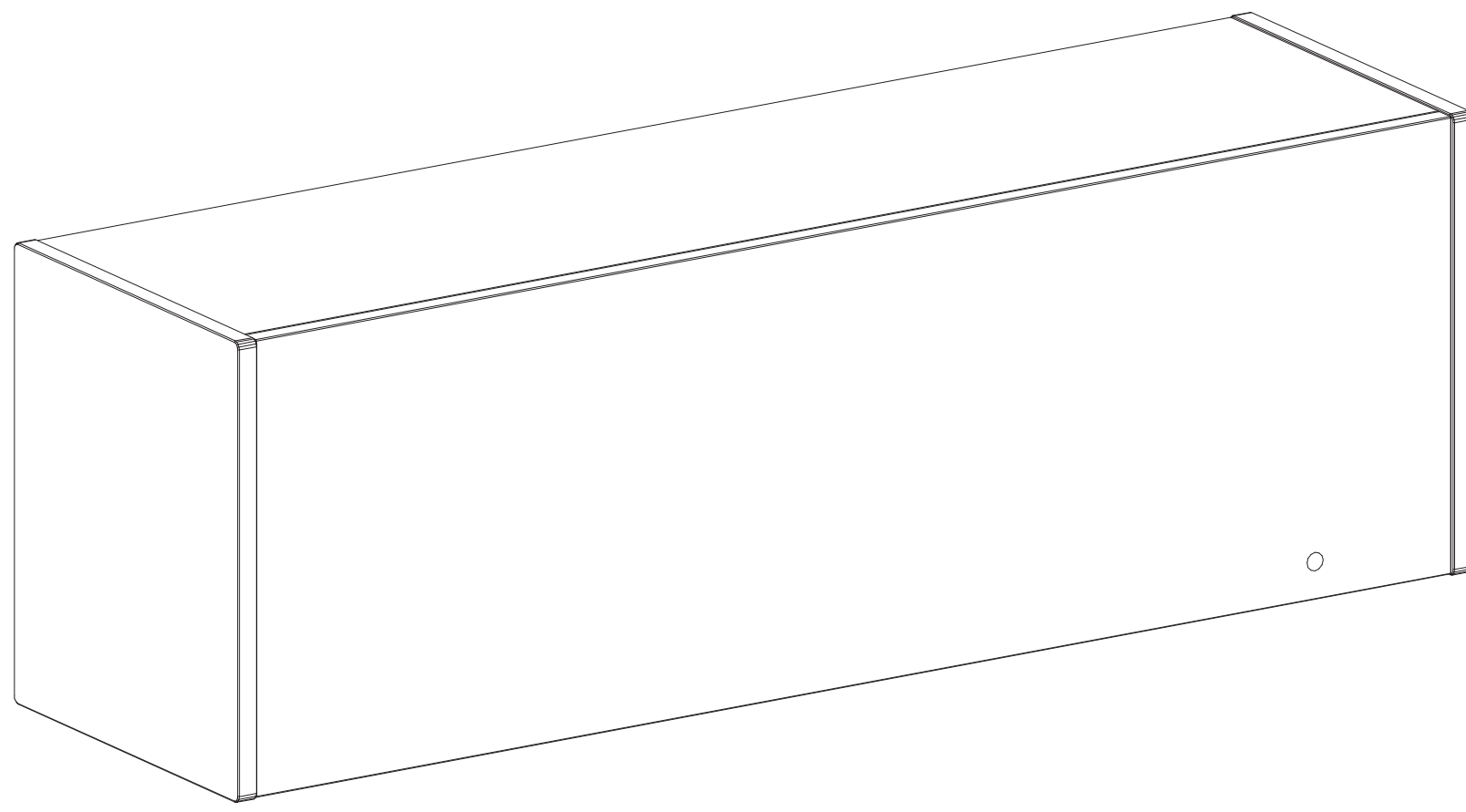
TO ORDER, SPECIFY:

- PART NUMBER
- PAINT COLOR
- FABRIC COLOR

WIDTH	FRONT	PART NUMBER	LIST PRICE
24"	FABRIC	EC-FDRF-2	\$263
30"	FABRIC	EC-FDRF-30	\$294
36"	FABRIC	EC-FDRF-3	\$273
42"	FABRIC	EC-FDRF-42	\$336
48"	FABRIC	EC-FDRF-4	\$336
60"	FABRIC	EC-FDRF-5	\$415



LAMINATE FLIPPER DOOR FOR FULL HEIGHT SHELF



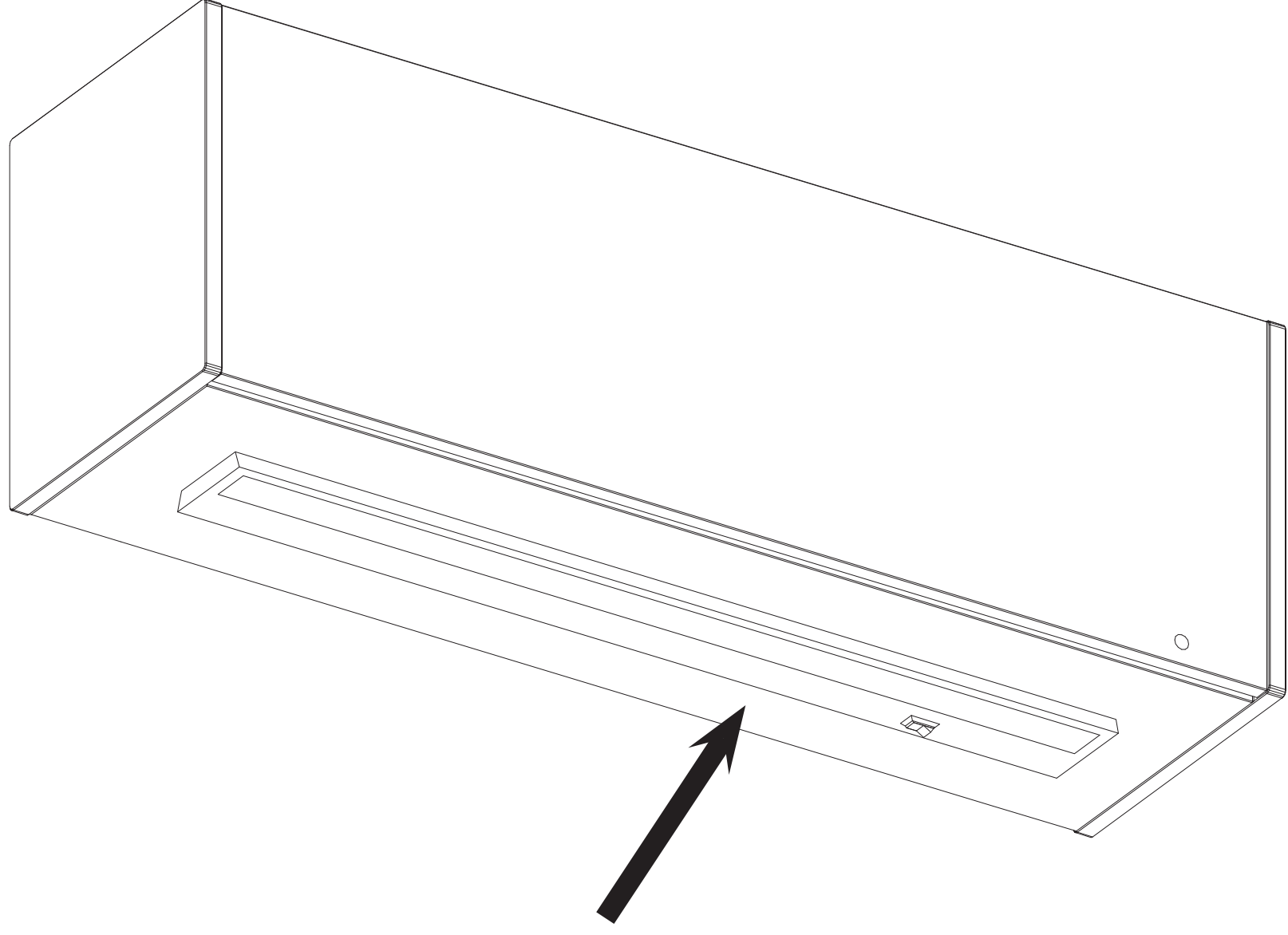
TO ORDER, SPECIFY:

- PART NUMBER
- PAINT COLOR
- LAMINATE COLOR

HEIGHT	FRONT	PART NUMBER	LIST PRICE
24"	LAMINATE	EC-FDRL-2	\$394
30"	LAMINATE	EC-FDRL-30	\$441
36"	LAMINATE	EC-FDRL-36	\$410
42"	LAMINATE	EC-FDRL-42	\$536
48"	LAMINATE	EC-FDRL-48	\$504
60"	LAMINATE	EC-FDRL-60	\$615



TASK LIGHTS



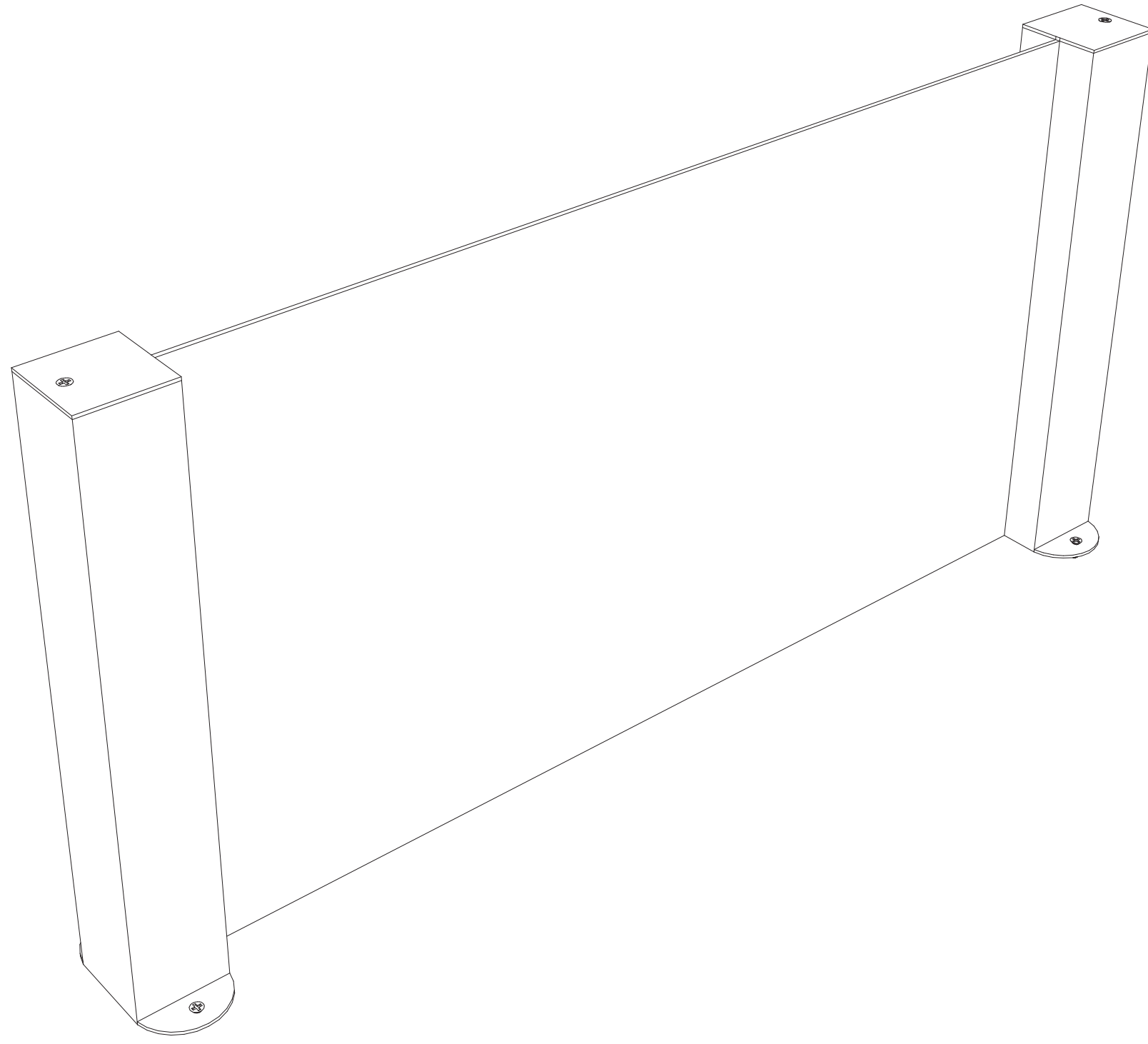
TO ORDER, SPECIFY:

- PART NUMBER
- PAINT COLOR
- FABRIC COLOR

WIDTH	SHELF SIZE	PART NUMBER	LIST PRICE
30"	24"-36"	EC-HP-TL-3-OR-SMALLER	\$111
42"	42"-60"	EC-HP-TL-42-OR-LARGER	\$147



11" FROSTED PLEXI DIVIDERS



TO ORDER, SPECIFY:

- PART NUMBER
- PAINT COLOR
- PLEXI COLOR

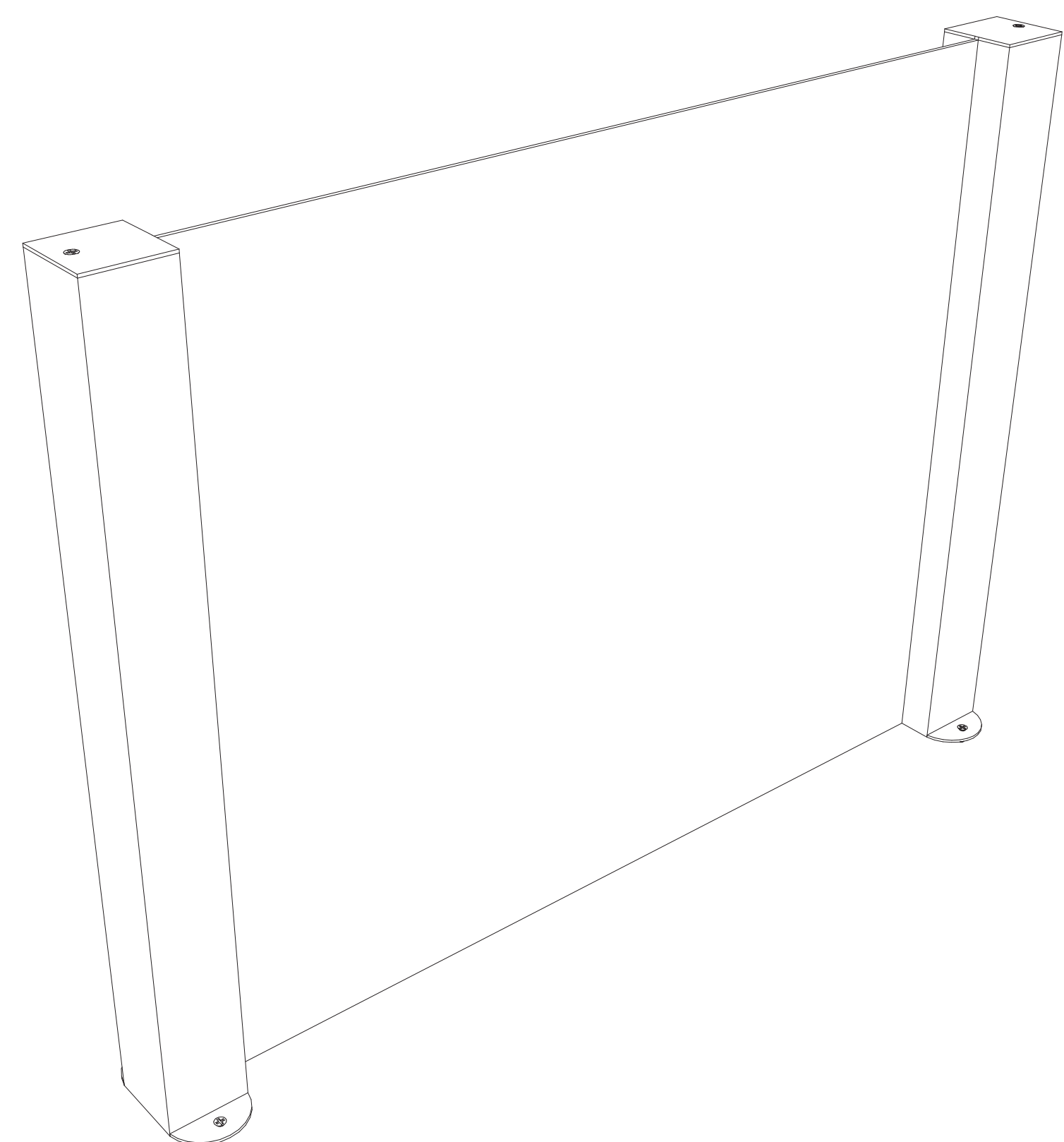
WIDTH	HEIGHT	MOUNTING POLES	PART NUMBER	LIST PRICE
18"	11"	2	EC-DIV-1811	\$163
24"	11"	2 (SHOWN ABOVE)	EC-DIV-2411	\$179
30"	11"	2	EC-DIV-3011	\$195
36"	11"	3	EC-DIV-3611	\$210
42"	11"	3	EC-DIV-4211	\$226
48"	11"	3	EC-DIV-4811	\$273
60"	11"	3	EC-DIV-6011	\$305
72"	11"	4	EC-DIV-7211	\$331
84"	11"	4	EC-DIV-8411	\$399
96"	11"	4	EC-DIV-9611	\$431

NOTES:

- THE BRACKET SCREWS THROUGH THE TOP OF THE SURFACE



17" FROSTED PLEXI DIVIDERS



TO ORDER, SPECIFY:

- PART NUMBER
- PAINT COLOR
- PLEXI COLOR

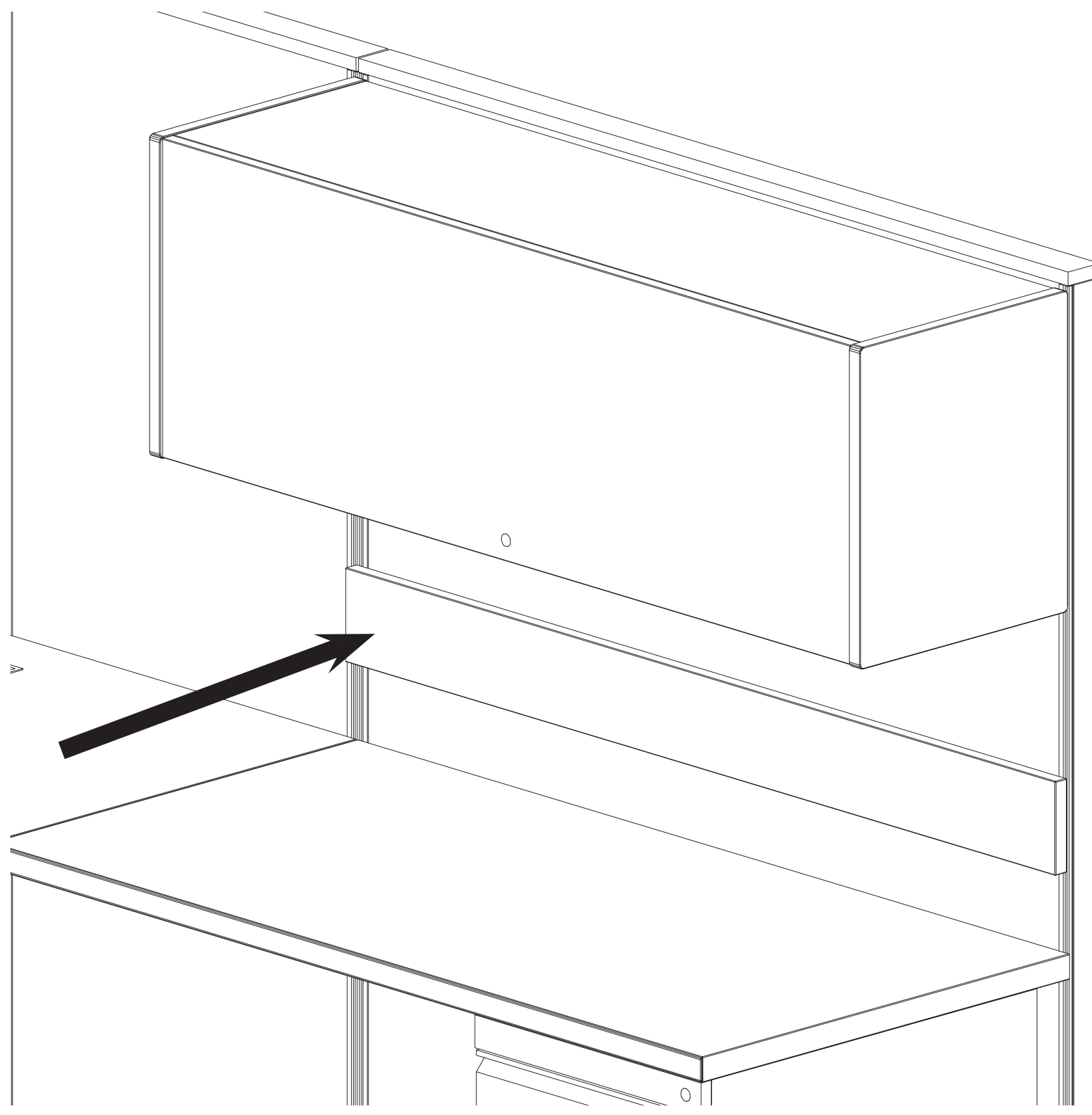
WIDTH	HEIGHT	MOUNTING POLES	PART NUMBER	LIST PRICE
18"	17"	2	EC-DIV-1817	\$221
24"	17"	2 (SHOWN ABOVE)	EC-DIV-2417	\$247
30"	17"	2	EC-DIV-3017	\$273
36"	17"	3	EC-DIV-3617	\$289
42"	17"	3	EC-DIV-4217	\$315
48"	17"	3	EC-DIV-4817	\$394
60"	17"	3	EC-DIV-6017	\$447
72"	17"	4	EC-DIV-7217	\$489
84"	17"	4	EC-DIV-8417	\$594
96"	17"	4	EC-DIV-9617	\$641

NOTES:

- THE BRACKET SCREWS THROUGH THE TOP OF THE SURFACE



5" TACKBOARD



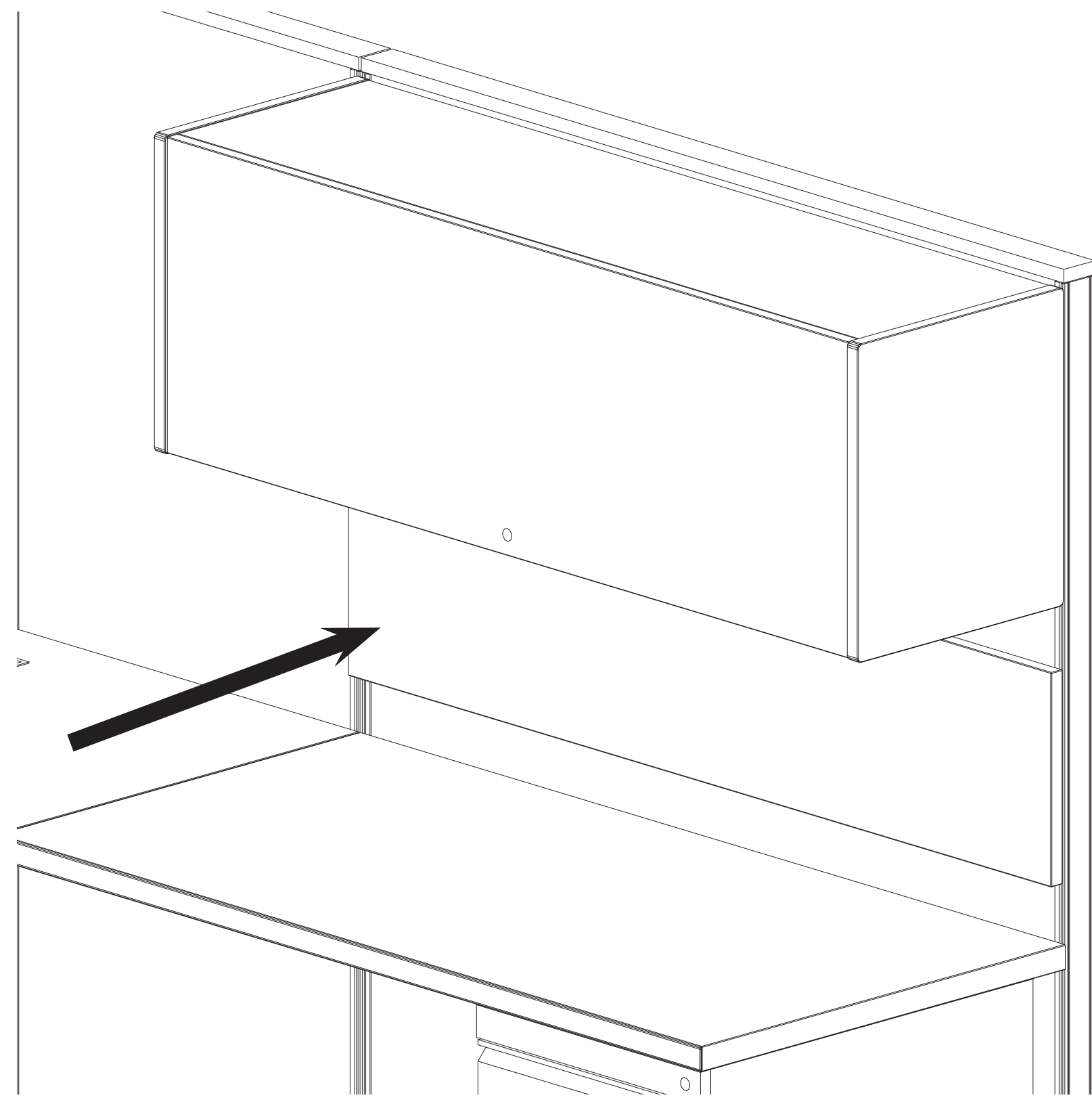
TO ORDER, SPECIFY:

- PART NUMBER
- FABRIC COLOR

WIDTH	HEIGHT	PART NUMBER	LIST PRICE
24"	5"	EC-TB-2405	\$121
30"	5"	EC-TB-3005	\$121
36"	5"	EC-TB-3605	\$126
42"	5"	EC-TB-4205	\$132
48"	5" (SHOWN ABOVE)	EC-TB-4805	\$137
60"	5"	EC-TB-6005	\$158



11" TACKBOARD



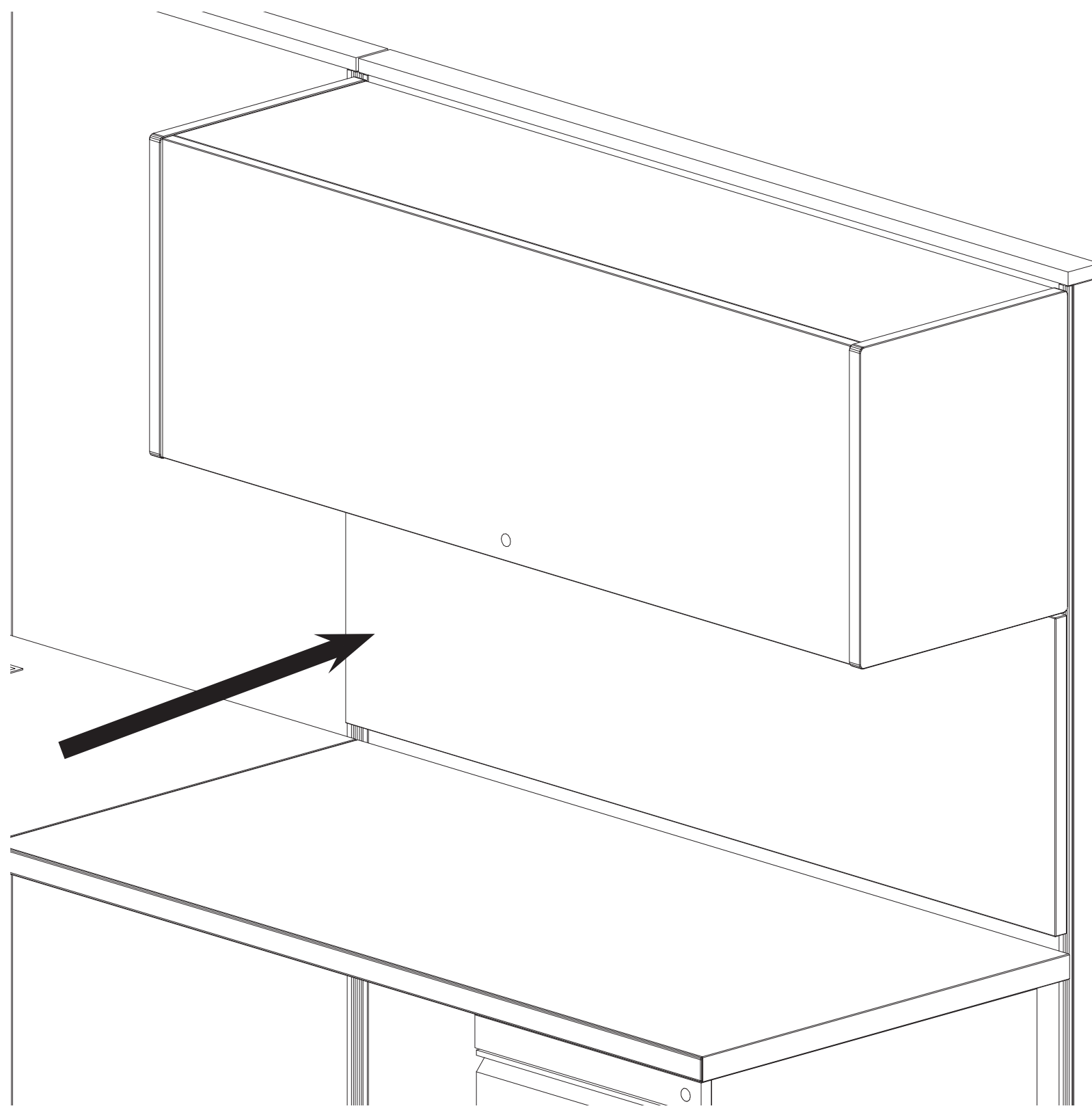
TO ORDER, SPECIFY:

- PART NUMBER
- FABRIC COLOR

WIDTH	HEIGHT	PART NUMBER	LIST PRICE
24"	11"	EC-TB-2411	\$132
30"	11"	EC-TB-3011	\$132
36"	11"	EC-TB-3611	\$137
42"	11"	EC-TB-4211	\$142
48"	11" (SHOWN ABOVE)	EC-TB-4811	\$158
60"	11"	EC-TB-6011	\$189



16" TACKBOARD



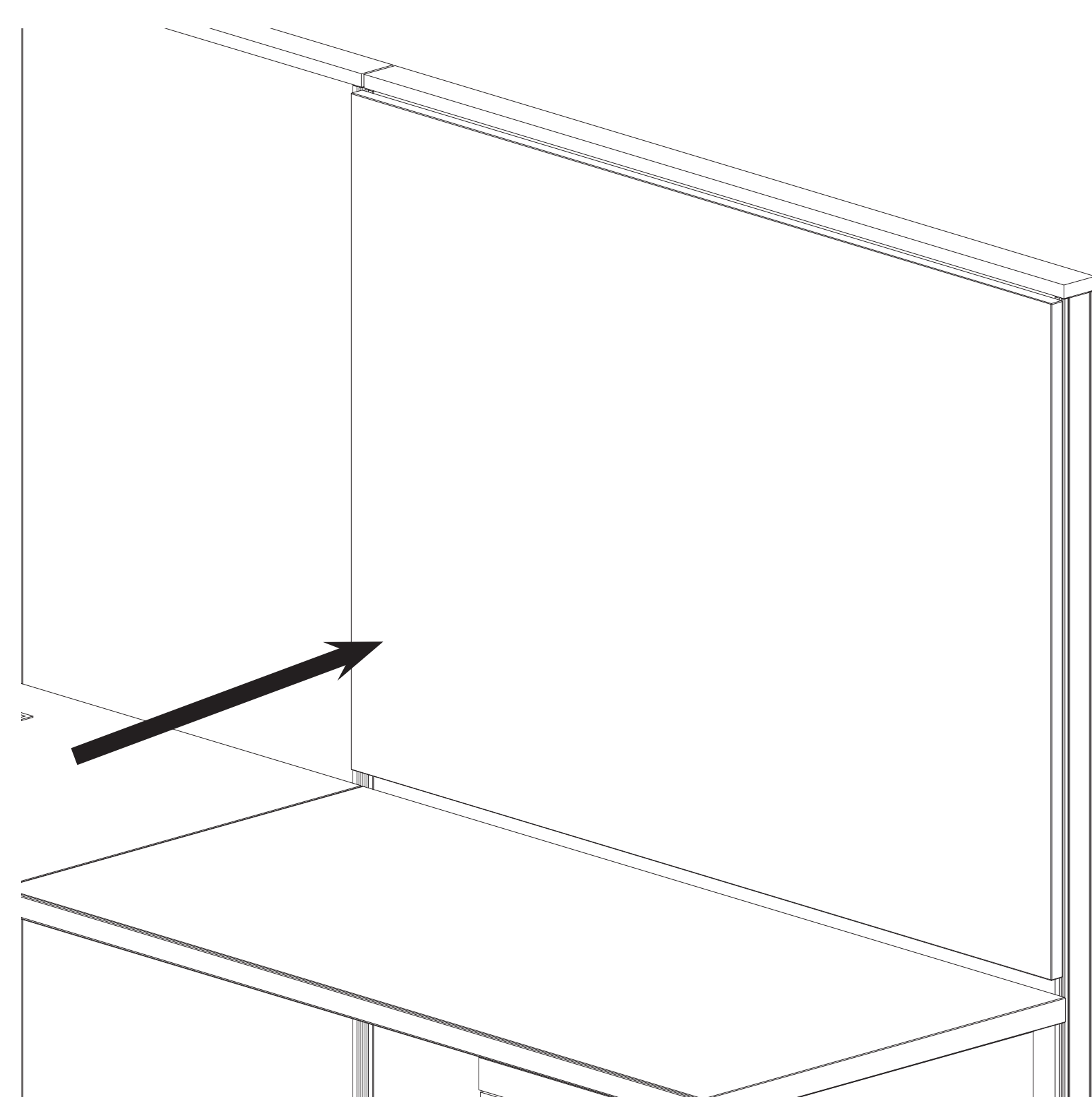
TO ORDER, SPECIFY:

- PART NUMBER
- FABRIC COLOR

WIDTH	HEIGHT	PART NUMBER	LIST PRICE
24"	16"	EC-TB-2416	\$142
30"	16"	EC-TB-3016	\$147
36"	16"	EC-TB-3616	\$153
42"	16"	EC-TB-4216	\$168
48"	16" (SHOWN ABOVE)	EC-TB-4816	\$168
60"	16"	EC-TB-6016	\$200



33" TACKBOARD



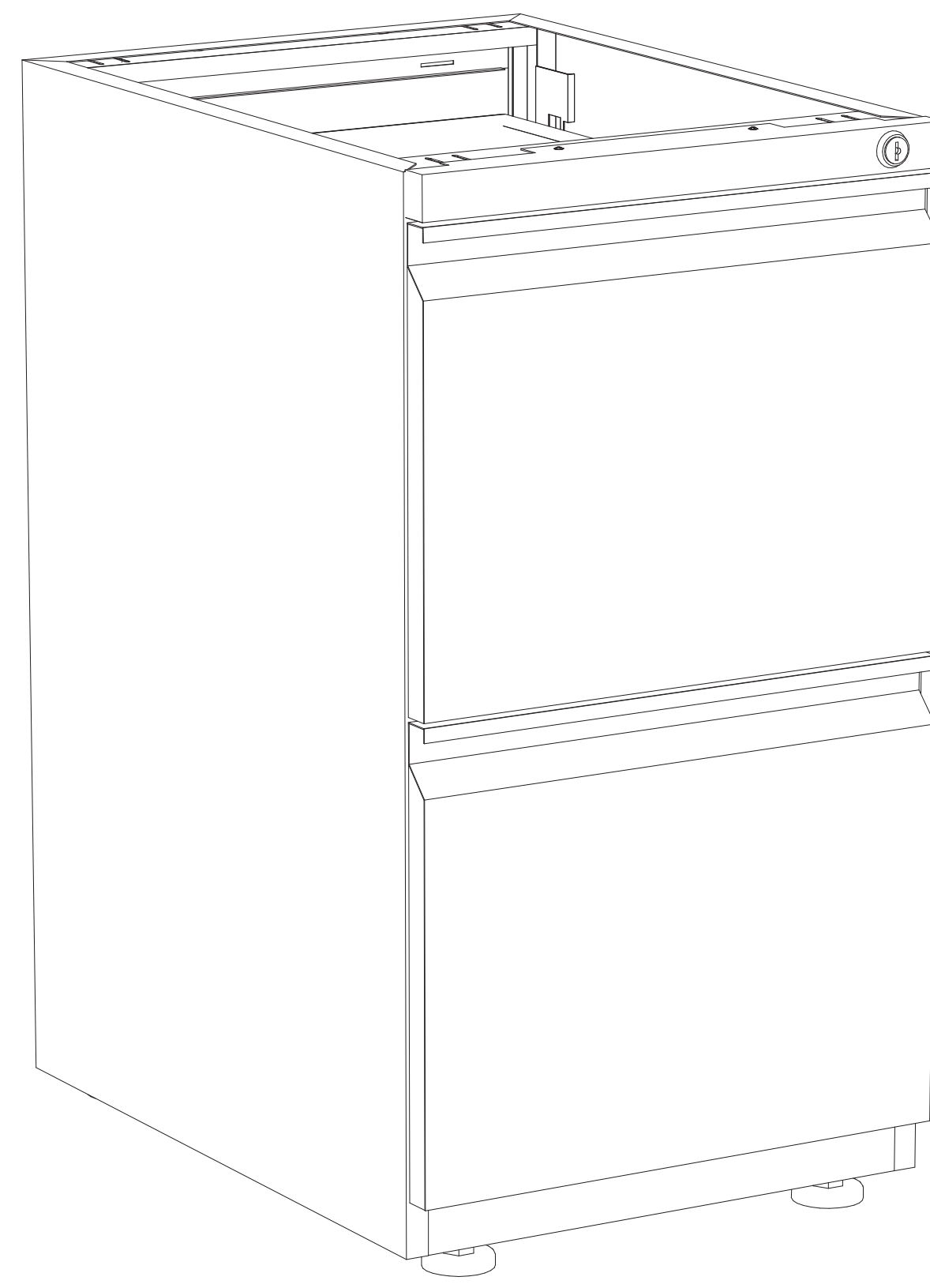
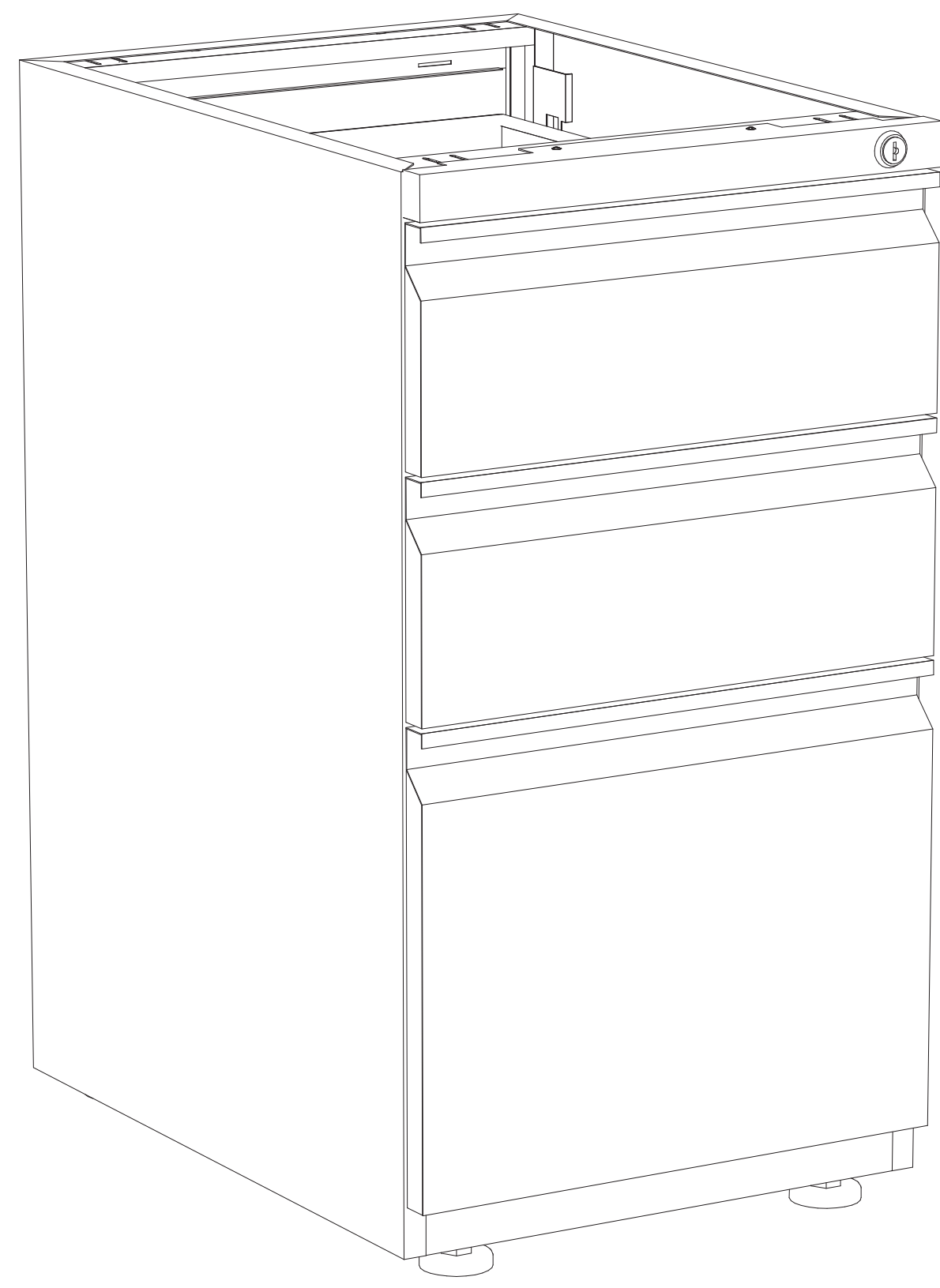
TO ORDER, SPECIFY:

- PART NUMBER
- FABRIC COLOR

WIDTH	HEIGHT	PART NUMBER	LIST PRICE
24"	33"	EC-TB-2433	\$210
30"	33"	EC-TB-3033	\$216
36"	33"	EC-TB-3633	\$221
42"	33"	EC-TB-4233	\$231
48"	33" (SHOWN ABOVE)	EC-TB-4833	\$242
60"	33"	EC-TB-6033	\$284



WORKSURFACE SUPPORTING PEDESTAL

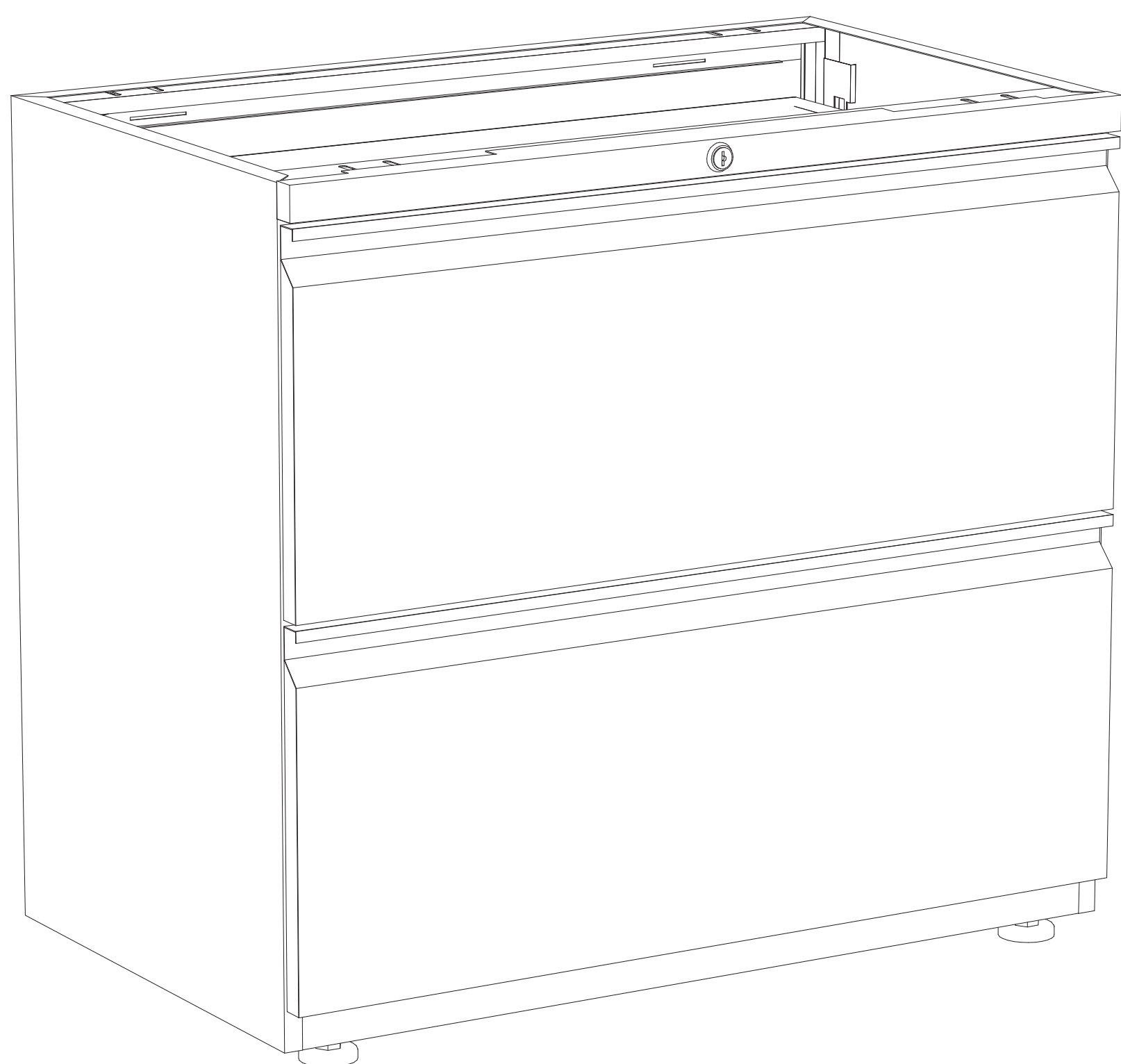


TO ORDER, SPECIFY:

- PART NUMBER
- PAINT COLOR

DRAWERS	WIDTH	HEIGHT	DEPTH	PART NUMBER	LIST PRICE
BOX-BOX-FILE	14.875"	27.5"	20"	EC-HP-6612-FPED	\$541
FILE-FILE	14.875"	27.5"	20"	EC-HP-1212-FPED	\$515

WORKSURFACE SUPPORTING LATERAL FILE



TO ORDER, SPECIFY:

- PART NUMBER
- PAINT COLOR

DRAWERS	WIDTH	HEIGHT	DEPTH	PART NUMBER	LIST PRICE
2-DRAWER	30"	27.5"	20"	EC-HP-LF-230	\$814



MOBILE PEDESTAL



TO ORDER, SPECIFY:

- PART NUMBER
- PAINT COLOR

DRAWERS	WIDTH	HEIGHT	DEPTH	PART NUMBER	LIST PRICE
BOX-FILE	14.875"	21"	22"	EC-HP-612-MPED	\$541

MOBILE PEDESTAL W/ SEAT CUSHION



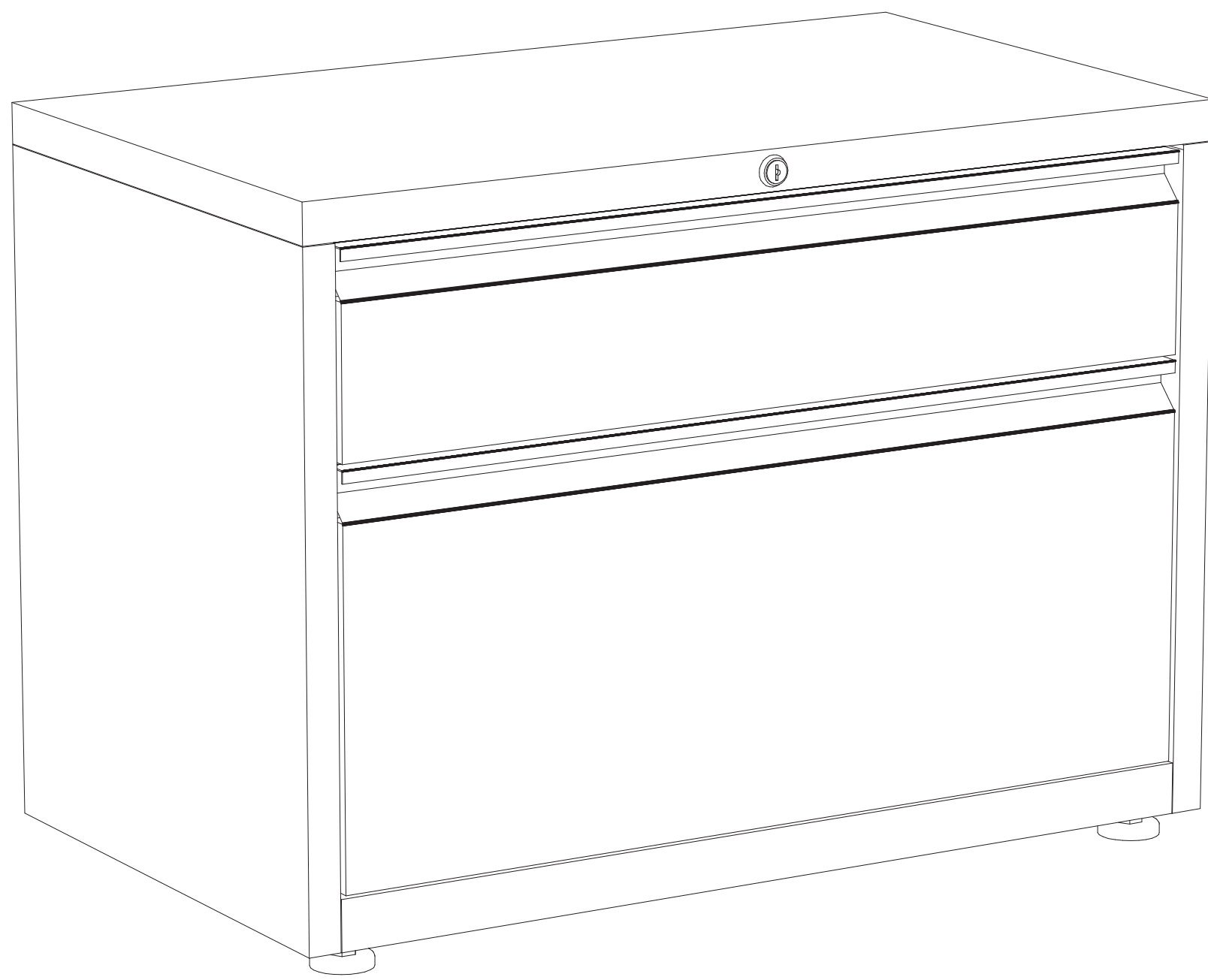
TO ORDER, SPECIFY:

- PART NUMBER
- PAINT COLOR
- FABRIC COLOR

DRAWERS	WIDTH	HEIGHT	DEPTH	PART NUMBER	LIST PRICE
BOX-FILE	14.875"	23"	22"	EC-HP-612-MPED-C	\$867



LOW PROFILE LATERAL FILE



NOTES:

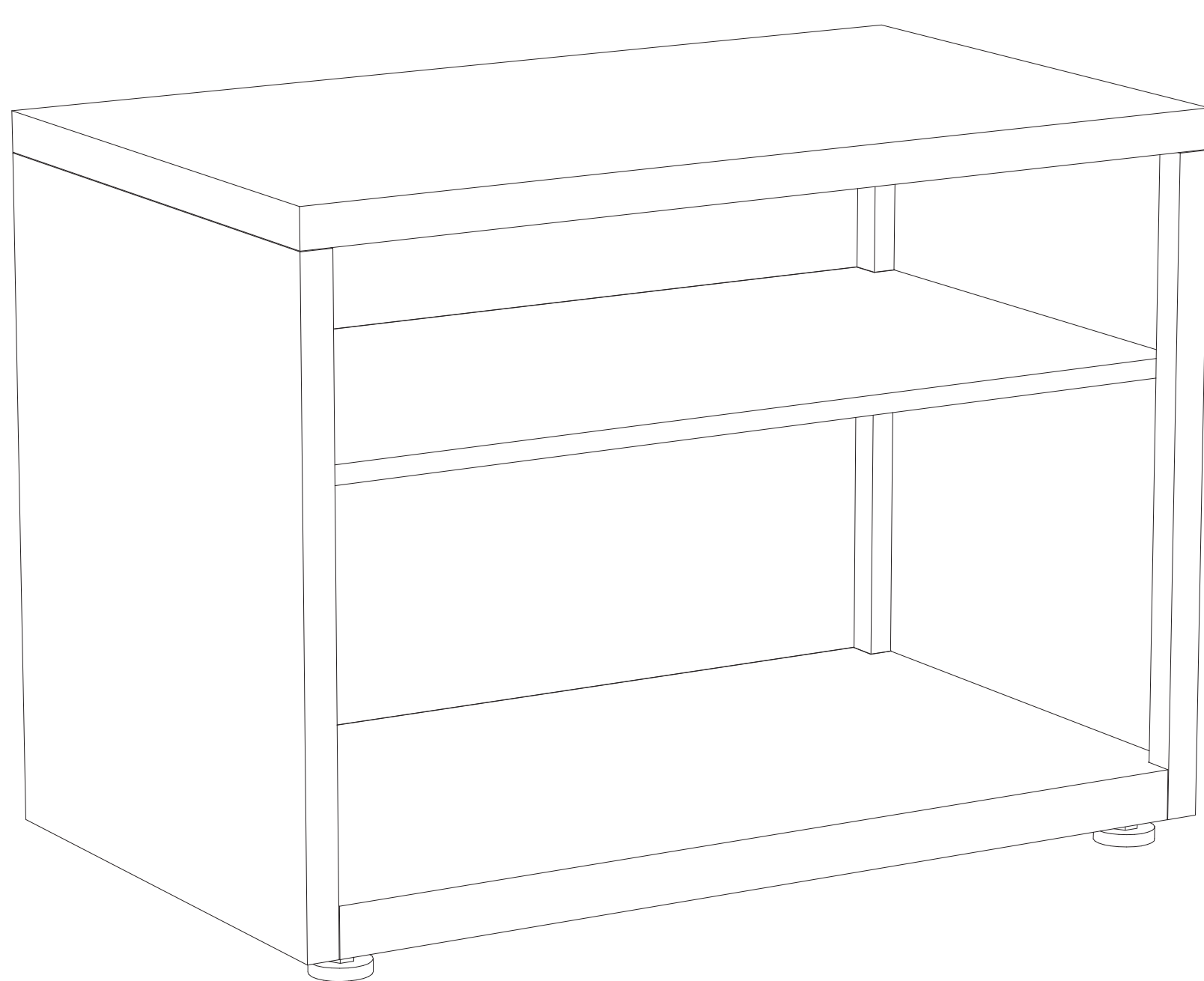
- AVAILABLE IN WHITE, METALLIC SILVER AND GRAPHITE PAINT

TO ORDER, SPECIFY:

- PART NUMBER
- PAINT COLOR

DRAWERS	WIDTH	HEIGHT	DEPTH	PART NUMBER	LIST PRICE
BOX-FILE	30"	21"	20"	EC-LPLF-230	\$1082

LOW PROFILE OPEN SHELF



NOTES:

- AVAILABLE IN WHITE, METALLIC SILVER AND GRAPHITE PAINT

TO ORDER, SPECIFY:

- PART NUMBER
- PAINT COLOR

DRAWERS	WIDTH	HEIGHT	DEPTH	PART NUMBER	LIST PRICE
OPEN BOX-SHELF	30"	21"	20"	EC-LPOS-230	\$814



LOW PROFILE SUPPORT LEG

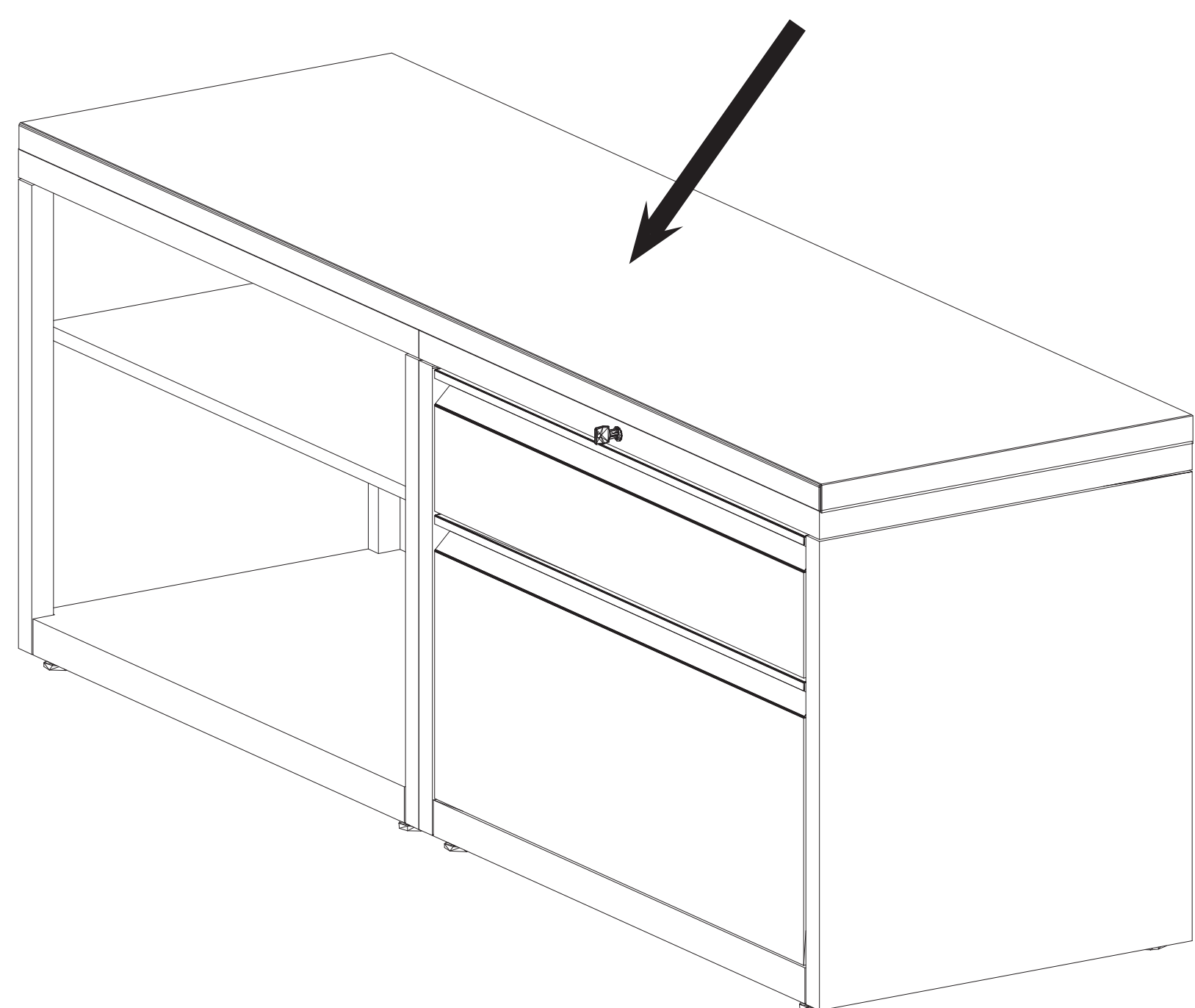


TO ORDER, SPECIFY:

- PART NUMBER
- PAINT COLOR

HEIGHT	TUBE SIZE	USE	PART NUMBER	LIST PRICE
5"	2"	LOW PROFILE STORAGE W/ LAMINATE TOP	EC-SQ-RH-5"-PAIR	\$273
6.25"	2"	LOW PROFILE STORAGE W/OUT LAMINATE TOP	EC-SQ-RH-6.25"-PAIR	\$273

LOW PROFILE LAMINATE TOPS



NOTES:

- TOP ONLY

TO ORDER, SPECIFY:

- PART NUMBER
- LAMINATE COLOR

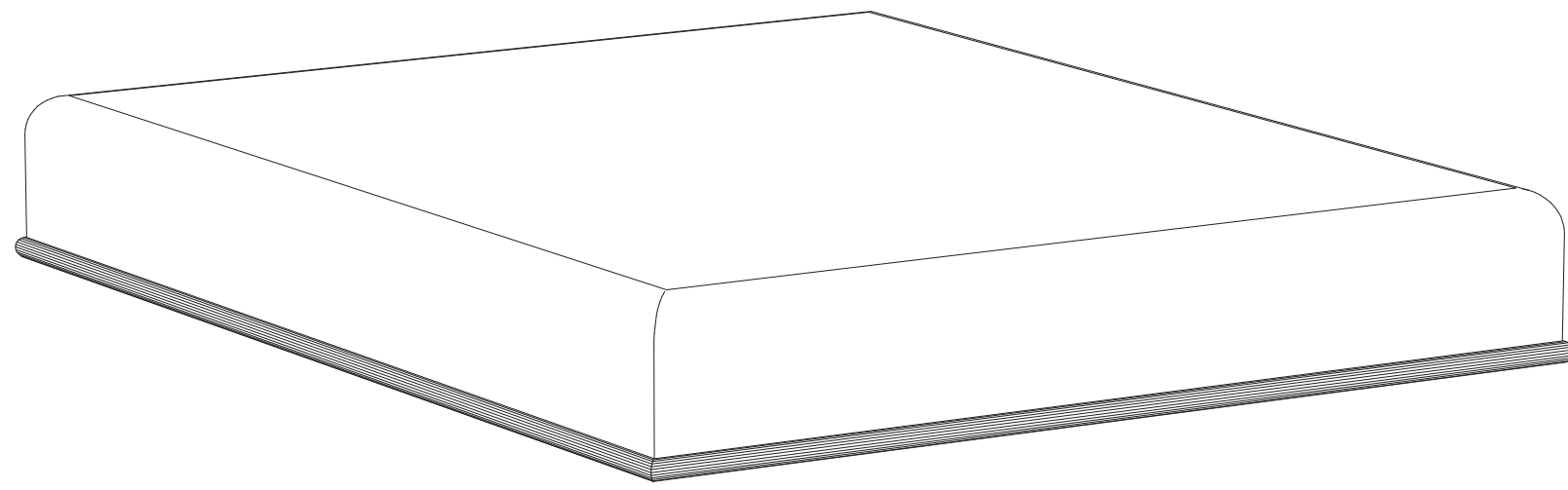
WIDTH	PART NUMBER	LIST PRICE
30"	ECSQ-LP-WS-30-T	\$168
60"	ECSQ-LP-WS-60-T	\$268



CUSHIONS

TO ORDER, SPECIFY:

- PART NUMBER
- FABRIC COLOR

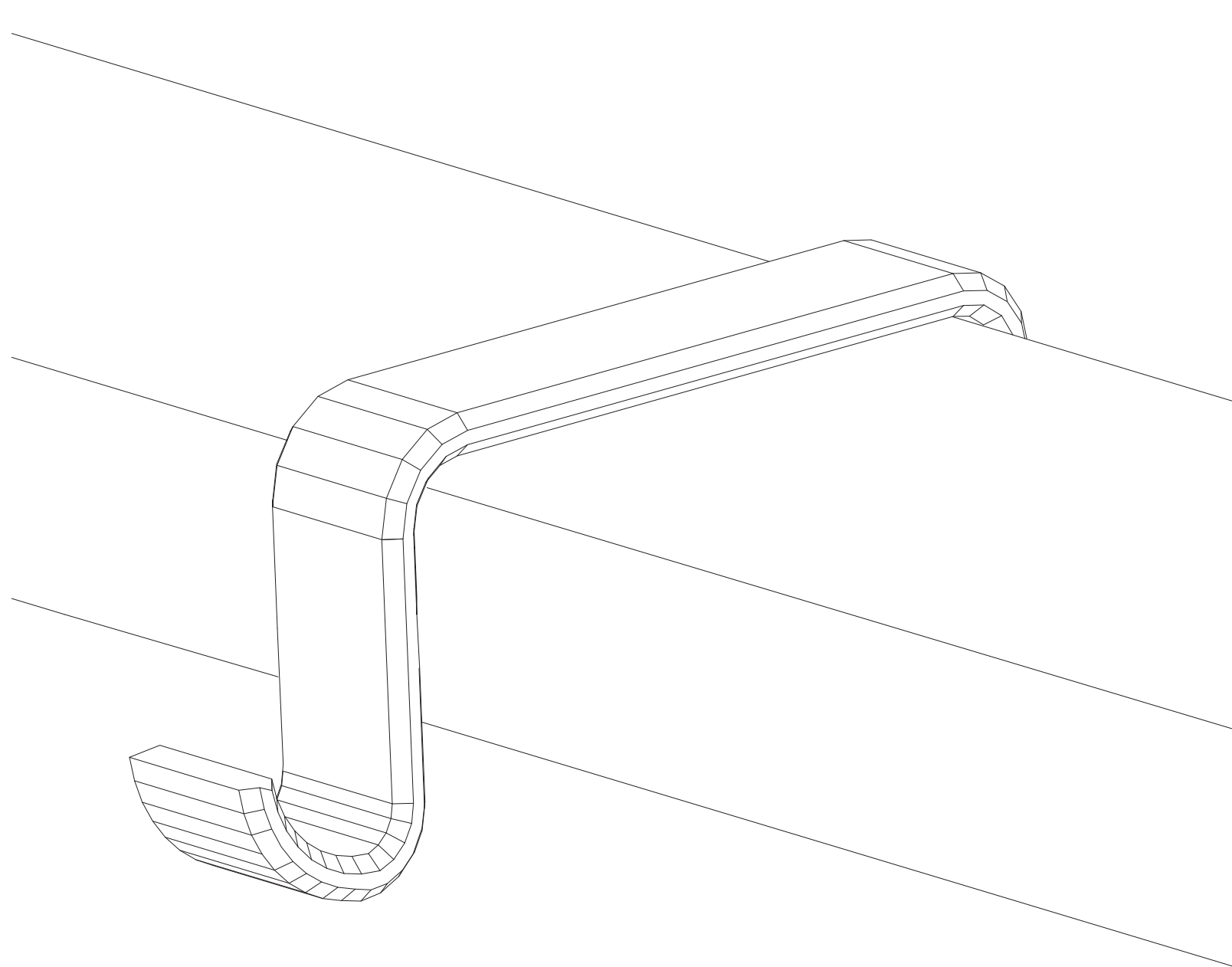


STYLE	WIDTH	HEIGHT	DEPTH	PART NUMBER	LIST PRICE
MOBILE PEDESTAL	15"	2"	20"	EC-MPED-CUSHION	\$326
LOW PROFILE	30"	2"	20"	EC-LP-CUSHION	\$436

COAT HOOK

TO ORDER, SPECIFY:

- PART NUMBER
- PAINT COLOR



DESCRIPTION	PART NUMBER	LIST PRICE
COAT HOOK THAT HOOKS ON AROUND THE TOP CAP	ECSQ-CH-1	\$32

PART NUMBER	LIST PRICE	PAGE
EC-AKP-ESI	\$651	116
EC-BFM-1	\$457	77
EC-CB	\$21	112
EC-CHANNEL-HAT	\$163	119
EC-CL-18	\$410	108
EC-CLEVER-HAB	\$1,707	119
EC-CMP-GLAO-EOR	\$872	79
EC-CUST-DATA-PORT-UPGRD	\$58	75
EC-DATA-PLATE-DOUBLE-5E	\$163	75
EC-DATA-PLATE-DOUBLE-6	\$221	75
EC-DATA-PLATE-SINGLE-5E	\$111	75
EC-DATA-PLATE-SINGLE-6	\$137	75
EC-DATA-PORT-UPGRADE	\$58	75
EC-DIV-1811	\$163	125
EC-DIV-1817	\$221	126
EC-DIV-2411	\$179	125
EC-DIV-2417	\$247	126
EC-DIV-3011	\$195	125
EC-DIV-3017	\$273	126
EC-DIV-3611	\$210	125
EC-DIV-3617	\$289	126
EC-DIV-4211	\$226	125
EC-DIV-4217	\$315	126
EC-DIV-4811	\$273	125
EC-DIV-4817	\$394	126
EC-DIV-6011	\$305	125
EC-DIV-6017	\$447	126
EC-DIV-7211	\$331	125
EC-DIV-7217	\$489	126
EC-DIV-8411	\$399	125
EC-DIV-8417	\$594	126
EC-DIV-9611	\$431	125
EC-DIV-9617	\$641	126
EC-DS-3-GR-C	\$69	116
EC-EC-1	\$11	74
EC-FDRF-2	\$263	122
EC-FDRF-3	\$294	122
EC-FDRF-30	\$273	122
EC-FDRF-4	\$336	122
EC-FDRF-42	\$336	122
EC-FDRF-5	\$415	122
EC-FDRL-2	\$394	123
EC-FDRL-3	\$441	123
EC-FDRL-30	\$410	123
EC-FDRL-4	\$536	123
EC-FDRL-42	\$504	123
EC-FDRL-5	\$615	123
EC-FLAO-212	\$625	47
EC-FLAO-213	\$630	48
EC-FLAO-214	\$630	49
EC-FLAO-218	\$699	50
EC-FLAO-220	\$704	51
EC-FLAO-224	\$772	52
EC-FLAO-3012	\$641	47
EC-FLAO-3013	\$657	48
EC-FLAO-3014	\$657	49

PART NUMBER	LIST PRICE	PAGE
EC-FLAO-3018	\$741	50
EC-FLAO-3020	\$762	51
EC-FLAO-3024	\$793	52
EC-FLAO-312	\$667	47
EC-FLAO-313	\$683	48
EC-FLAO-314	\$683	49
EC-FLAO-318	\$756	50
EC-FLAO-320	\$772	51
EC-FLAO-324	\$830	52
EC-FLAO-412	\$730	47
EC-FLAO-413	\$741	48
EC-FLAO-414	\$741	49
EC-FLAO-418	\$814	50
EC-FLAO-420	\$825	51
EC-FLAO-4212	\$699	47
EC-FLAO-4213	\$709	48
EC-FLAO-4214	\$709	49
EC-FLAO-4218	\$783	50
EC-FLAO-4220	\$804	51
EC-FLAO-4224	\$867	52
EC-FLAO-424	\$877	52
EC-FLAO-512	\$762	47
EC-FLAO-513	\$804	48
EC-FLAO-514	\$804	49
EC-FLAO-518	\$861	50
EC-FLAO-520	\$893	51
EC-FLAO-524	\$909	52
EC-FLAO-D-218	\$877	53
EC-FLAO-D-220	\$882	54
EC-FLAO-D-224	\$882	55
EC-FLAO-D-3018	\$924	53
EC-FLAO-D-3020	\$951	54
EC-FLAO-D-3024	\$993	55
EC-FLAO-D-318	\$945	53
EC-FLAO-D-320	\$966	54
EC-FLAO-D-324	\$1,029	55
EC-FLAO-D-418	\$1,019	53
EC-FLAO-D-420	\$1,082	54
EC-FLAO-D-4218	\$1,003	53
EC-FLAO-D-4220	\$1,029	54
EC-FLAO-D-4224	\$1,082	55
EC-FLAO-D-424	\$1,103	55
EC-FLAO-D-518	\$1,077	53
EC-FLAO-D-520	\$1,124	54
EC-FLAO-D-524	\$1,134	55
EC-FMK-1	\$37	113
EC-FRMGL-208	\$300	60
EC-FRMGL-208-F	\$384	64
EC-FRMGL-212	\$305	61
EC-FRMGL-212-F	\$389	65
EC-FRMGL-213	\$310	62
EC-FRMGL-213-F	\$405	66
EC-FRMGL-214	\$310	63
EC-FRMGL-214-F	\$420	67
EC-FRMGL-3008	\$305	60
EC-FRMGL-3008-F	\$394	64

PART NUMBER	LIST PRICE	PAGE
EC-FRMGL-3012	\$310	61
EC-FRMGL-3012-F	\$410	65
EC-FRMGL-3013	\$315	62
EC-FRMGL-3013-F	\$436	66
EC-FRMGL-3014	\$315	63
EC-FRMGL-3014-F	\$462	67
EC-FRMGL-308	\$315	60
EC-FRMGL-308-F	\$405	64
EC-FRMGL-312	\$315	61
EC-FRMGL-312-F	\$447	65
EC-FRMGL-313	\$321	62
EC-FRMGL-313-F	\$478	66
EC-FRMGL-314	\$321	63
EC-FRMGL-314-F	\$510	67
EC-FRMGL-408	\$321	60
EC-FRMGL-408-F	\$436	64
EC-FRMGL-412	\$326	61
EC-FRMGL-412-F	\$515	65
EC-FRMGL-413	\$331	62
EC-FRMGL-413-F	\$562	66
EC-FRMGL-414	\$331	63
EC-FRMGL-414-F	\$604	67
EC-FRMGL-4208	\$315	60
EC-FRMGL-4208-F	\$415	64
EC-FRMGL-4212	\$321	61
EC-FRMGL-4212-F	\$478	65
EC-FRMGL-4213	\$326	62
EC-FRMGL-4213-F	\$515	66
EC-FRMGL-4214	\$326	63
EC-FRMGL-4214-F	\$557	67
EC-FRMGL-508	\$389	60
EC-FRMGL-508-F	\$520	64
EC-FRMGL-512	\$394	61
EC-FRMGL-512-F	\$625	65
EC-FRMGL-513	\$394	62
EC-FRMGL-513-F	\$678	66
EC-FRMGL-514	\$399	63
EC-FRMGL-514-F	\$735	67
EC-FRMGL-608	\$462	60
EC-FRMGL-608-F	\$630	64
EC-FRMGL-612	\$478	61
EC-FRMGL-612-F	\$762	65
EC-FRMGL-613	\$489	62
EC-FRMGL-613-F	\$830	66
EC-FRMGL-614	\$494	63
EC-FRMGL-614-F	\$893	67
EC-GL/FLAO-D-218	\$557	56
EC-GL/FLAO-D-220	\$588	57
EC-GL/FLAO-D-224	\$604	58
EC-GL/FLAO-D-3018	\$615	56
EC-GL/FLAO-D-3020	\$651	57
EC-GL/FLAO-D-3024	\$693	58
EC-GL/FLAO-D-318	\$709	56
EC-GL/FLAO-D-320	\$735	57
EC-GL/FLAO-D-324	\$783	58
EC-GL/FLAO-D-418	\$909	56

PART NUMBER	LIST PRICE	PAGE
EC-GL/FLAO-D-420	\$940	57
EC-GL/FLAO-D-4218	\$798	56
EC-GL/FLAO-D-4220	\$825	57
EC-GL/FLAO-D-4224	\$877	58
EC-GL/FLAO-D-424	\$993	58
EC-GL/FLAO-D-518	\$924	56
EC-GL/FLAO-D-520	\$972	57
EC-GL/FLAO-D-524	\$1,050	58
EC-GLAO-212	\$326	38
EC-GLAO-213	\$352	39
EC-GLAO-214	\$352	40
EC-GLAO-218	\$373	41
EC-GLAO-220	\$394	42
EC-GLAO-224	\$405	43
EC-GLAO-3012	\$352	38
EC-GLAO-3013	\$384	39
EC-GLAO-3014	\$384	40
EC-GLAO-3018	\$410	41
EC-GLAO-3020	\$436	42
EC-GLAO-3024	\$462	43
EC-GLAO-312	\$410	38
EC-GLAO-313	\$441	39
EC-GLAO-314	\$441	40
EC-GLAO-318	\$473	41
EC-GLAO-320	\$489	42
EC-GLAO-324	\$520	43
EC-GLAO-412	\$536	38
EC-GLAO-413	\$567	39
EC-GLAO-414	\$567	40
EC-GLAO-418	\$604	41
EC-GLAO-420	\$625	42
EC-GLAO-4212	\$473	38
EC-GLAO-4213	\$499	39
EC-GLAO-4214	\$499	40
EC-GLAO-4218	\$531	41
EC-GLAO-4220	\$552	42
EC-GLAO-4224	\$588	43
EC-GLAO-424	\$662	43
EC-GLAO-464-DOOR	\$1,654	37
EC-GLAO-468-DOOR	\$1,696	37
EC-GLAO-482-DOOR	\$1,927	37
EC-GLAO-512	\$552	38
EC-GLAO-513	\$604	39
EC-GLAO-514	\$604	40
EC-GLAO-518	\$615	41
EC-GLAO-520	\$646	42
EC-GLAO-524	\$699	43
EC-GLAO-D-218	\$462	44
EC-GLAO-D-220	\$489	45
EC-GLAO-D-224	\$504	46
EC-GLAO-D-3018	\$510	44
EC-GLAO-D-3020	\$541	45
EC-GLAO-D-3024	\$583	46
EC-GLAO-D-318	\$594	44
EC-GLAO-D-320	\$615	45
EC-GLAO-D-324	\$651	46

PART NUMBER	LIST PRICE	PAGE
EC-GLAO-D-418	\$756	44
EC-GLAO-D-420	\$783	45
EC-GLAO-D-4218	\$667	44
EC-GLAO-D-4220	\$688	45
EC-GLAO-D-4224	\$735	46
EC-GLAO-D-424	\$830	46
EC-GLAO-D-518	\$772	44
EC-GLAO-D-520	\$809	45
EC-GLAO-D-524	\$877	46
EC-HCC-1	\$184	108
EC-HNAM-3023	\$384	73
EC-HNAM-3623	\$447	73
EC-HNAM-4223	\$468	73
EC-HNAM-4823	\$494	73
EC-HNAM-6023	\$588	73
EC-HNAM-6048	\$678	73
EC-HP-1212-FPED-CH	\$515	131
EC-HP-612-MPED-C	\$867	132
EC-HP-612-MPED	\$541	132
EC-HP-6612-FPED	\$541	131
EC-HP-LF-230	\$814	131
EC-JUS-CANT-L-CH	\$53	115
EC-JUS-CANT-R-CH	\$53	115
EC-JUS-CANT-SHD-CL	\$63	115
EC-JUS-CANT-SHD-CR	\$63	115
EC-KEY ONLY	\$11	118
EC-KEYALIKE-1	\$21	118
EC-KEYALIKE-10	\$0	118
EC-KEYALIKE-2	\$0	118
EC-KEYALIKE-3	\$0	118
EC-KEYALIKE-4	\$0	118
EC-KEYALIKE-5	\$0	118
EC-KEYALIKE-6	\$0	118
EC-KEYALIKE-7	\$0	118
EC-KEYALIKE-8	\$0	118
EC-KEYALIKE-9	\$0	118
EC-L-BRACKET	\$6	112
EC-LP-CUSHION	\$436	135
EC-LP-WS-30-T	\$158	134
EC-LP-WS-60-T	\$252	134
EC-LPLF-230	\$1,082	133
EC-LPOS-230	\$814	133
EC-MPED-CUSHION	\$326	135
EC-PCF-3	\$158	78
EC-PCOF-1	\$163	78
EC-PCSS-3	\$216	78
EC-PL-27	\$158	109
EC-PMK-1	\$42	114
EC-PRD-3-1	\$42	76
EC-PRDI-5-1	\$48	76
EC-RKP-18	\$394	78
EC-RKP-2	\$394	78
EC-RKP-3	\$394	78
EC-RKP-30	\$394	78
EC-RKP-4	\$394	78
EC-RKP-42	\$394	78

PART NUMBER	LIST PRICE	PAGE
EC-RKP-5	\$394	78
EC-SL-2	\$153	121
EC-SL-3	\$163	121
EC-SL-30	\$153	121
EC-SL-4	\$163	121
EC-SL-42	\$163	121
EC-SL-5	\$179	121
EC-SMK-1	\$37	114
EC-SPCLT-BAR	\$147	113
EC-SQ-RH	\$258	109
EC-SQ-RH-5"-PAIR	\$273	134
EC-SQ-RH-6.25"-PAIR	\$273	134
EC-SR-2	\$153	120
EC-SR-3	\$163	120
EC-SR-30	\$158	120
EC-SR-4	\$174	120
EC-SR-42	\$168	120
EC-SR-5	\$195	120
EC-TB-2405	\$121	127
EC-TB-2411	\$132	128
EC-TB-2416	\$142	129
EC-TB-2433	\$210	130
EC-TB-3005	\$121	127
EC-TB-3011	\$132	128
EC-TB-3016	\$147	129
EC-TB-3033	\$216	130
EC-TB-3605	\$126	127
EC-TB-3611	\$137	128
EC-TB-3616	\$153	129
EC-TB-3633	\$221	130
EC-TB-4205	\$132	127
EC-TB-4211	\$142	128
EC-TB-4216	\$168	129
EC-TB-4233	\$231	130
EC-TB-4805	\$137	127
EC-TB-4811	\$158	128
EC-TB-4816	\$168	129
EC-TB-4833	\$242	130
EC-TB-6005	\$158	127
EC-TB-6011	\$189	128
EC-TB-6016	\$200	129
EC-TB-6033	\$284	130
EC-TFM-GLAO-EOR	\$1,623	77
EC-TMKT-30	\$69	68
EC-TMKT-37	\$69	68
EC-TMKT-44	\$74	68
EC-TMKT-50	\$79	68
EC-TMKT-56	\$84	68
EC-TMKT-64	\$90	68
EC-TMKT-68	\$90	68
EC-TMKT-82	\$111	68
EC-VIL-GROM-B	\$58	117
EC-WC-17	\$27	74
EC-WC-20	\$27	74
EC-WMK-30	\$63	69
EC-WMK-37	\$63	69

PART NUMBER	LIST PRICE	PAGE
EC-WMK-44	\$69	69
EC-WMK-50	\$79	69
EC-WMK-56	\$84	69
EC-WMK-64	\$95	69
EC-WMK-68	\$100	69
EC-WMK-82	\$105	69
EC-WSG-1	\$37	117
EC-WT-26.5	\$74	70
EC-WT-60	\$137	70
EC-WT-72	\$163	70
EC-WT-84	\$189	70
EC-Z-BRACKET	\$137	70
ECSQ-4WAY-TC	\$53	74
ECSQ-CH-1	\$32	135
ECSQ-CMP-GLAO-2WAY	\$867	79
ECSQ-CMP-GLAO-3WAY	\$867	79
ECSQ-CMP-GLAO-4WAY	\$867	79
ECSQ-CTRE-2415	\$373	103
ECSQ-CTRE-3615	\$585	103
ECSQ-CTRE-4215	\$696	103
ECSQ-CTRE-4815	\$806	103
ECSQ-CTSE-215	\$219	103
ECSQ-CTSE-3015	\$235	103
ECSQ-CTSE-315	\$245	103
ECSQ-CTSE-415	\$259	103
ECSQ-CTSE-4215	\$255	103
ECSQ-CTSE-515	\$275	103
ECSQ-CTSE-615	\$331	103
ECSQ-CUST-DSSP-248	\$331	105
ECSQ-CUST-DSSP-448	\$662	105
ECSQ-CUST-DSSP-848	\$1,323	105
ECSQ-CUST-FPFS	\$100	74
ECSQ-CUST-TOP-424-T	\$284	102
ECSQ-CUST-TOP-430-T	\$373	102
ECSQ-CUST-TOP-448-T	\$555	102
ECSQ-CUST-TOP-560-T	\$867	102
ECSQ-CUST-TOP-624-T	\$531	102
ECSQ-CUST-TOP-630-T	\$552	102
ECSQ-CUST-TOP-648-T	\$832	102
ECSQ-CUST-TOP-824-T	\$615	102
ECSQ-CUST-TOP-830-T	\$636	102
ECSQ-CUST-TOP-848-T	\$1,109	102
ECSQ-DSSP-DL-1029	\$205	105
ECSQ-DSSP-DL-2029	\$250	105
ECSQ-DSSP-DL-2429	\$270	105
ECSQ-DSSP-DL-3029	\$297	105
ECSQ-DSSP-DL-3629	\$326	105
ECSQ-DSSP-DL-4229	\$355	105
ECSQ-DWST-3050-T	\$278	99
ECSQ-DWST-430-T	\$248	99
ECSQ-DWST-530-T	\$284	99
ECSQ-DWST-536-T	\$301	99
ECSQ-DWST-630-T	\$365	99
ECSQ-DWST-636-T	\$494	99
ECSQ-EDS-382-BKL	\$1,610	36
ECSQ-EDS-382-BKR	\$1,610	36

PART NUMBER	LIST PRICE	PAGE
ECSQ-EDS-4282-BKL	\$1,710	36
ECSQ-EDS-4282-BKR	\$1,710	36
ECSQ-EFN-130	\$414	6
ECSQ-EFN-130-OSB	\$435	14
ECSQ-EFN-137	\$414	7
ECSQ-EFN-137-OSB	\$435	15
ECSQ-EFN-144	\$331	8
ECSQ-EFN-144-OSB	\$348	16
ECSQ-EFN-150	\$387	9
ECSQ-EFN-150-OSB	\$407	17
ECSQ-EFN-156	\$441	10
ECSQ-EFN-156-OSB	\$464	18
ECSQ-EFN-164	\$360	11
ECSQ-EFN-164-OSB	\$378	19
ECSQ-EFN-168	\$360	12
ECSQ-EFN-168-OSB	\$378	20
ECSQ-EFN-182	\$552	13
ECSQ-EFN-182-OSB	\$580	21
ECSQ-EFN-1830	\$414	6
ECSQ-EFN-1830-OSB	\$435	14
ECSQ-EFN-1837	\$414	7
ECSQ-EFN-1837-OSB	\$435	15
ECSQ-EFN-1844	\$331	8
ECSQ-EFN-1844-OSB	\$348	16
ECSQ-EFN-1850	\$387	9
ECSQ-EFN-1850-OSB	\$407	17
ECSQ-EFN-1856	\$441	10
ECSQ-EFN-1856-OSB	\$464	18
ECSQ-EFN-1864	\$360	11
ECSQ-EFN-1864-OSB	\$378	19
ECSQ-EFN-1868	\$360	12
ECSQ-EFN-1868-OSB	\$378	20
ECSQ-EFN-1882	\$662	13
ECSQ-EFN-1882-OSB	\$696	21
ECSQ-EFN-230	\$414	6
ECSQ-EFN-230-OSB	\$435	14
ECSQ-EFN-237	\$414	7
ECSQ-EFN-237-OSB	\$435	15
ECSQ-EFN-244	\$331	8
ECSQ-EFN-244-OSB	\$348	16
ECSQ-EFN-250	\$387	9
ECSQ-EFN-250-OSB	\$407	17
ECSQ-EFN-256	\$441	10
ECSQ-EFN-256-OSB	\$464	18
ECSQ-EFN-264	\$360	11
ECSQ-EFN-264-OSB	\$378	19
ECSQ-EFN-268	\$360	12
ECSQ-EFN-268-OSB	\$378	20
ECSQ-EFN-282	\$690	13
ECSQ-EFN-282-OSB	\$725	21
ECSQ-EFN-3030	\$497	6
ECSQ-EFN-3030-OSB	\$522	14
ECSQ-EFN-3037	\$497	7
ECSQ-EFN-3037-OSB	\$522	15
ECSQ-EFN-3044	\$441	8
ECSQ-EFN-3044-OSB	\$464	16

PART NUMBER	LIST PRICE	PAGE
ECSQ-EFN-3050	\$497	9
ECSQ-EFN-3050-OSB	\$522	17
ECSQ-EFN-3056	\$552	10
ECSQ-EFN-3056-OSB	\$580	18
ECSQ-EFN-3064	\$470	11
ECSQ-EFN-3064-OSB	\$494	19
ECSQ-EFN-3068	\$552	12
ECSQ-EFN-3068-OSB	\$580	20
ECSQ-EFN-3082	\$801	13
ECSQ-EFN-3082-OSB	\$842	21
ECSQ-EFN-330	\$635	6
ECSQ-EFN-330-OSB	\$667	14
ECSQ-EFN-337	\$635	7
ECSQ-EFN-337-OSB	\$667	15
ECSQ-EFN-344	\$580	8
ECSQ-EFN-344-OSB	\$609	16
ECSQ-EFN-350	\$635	9
ECSQ-EFN-350-OSB	\$667	17
ECSQ-EFN-356	\$690	10
ECSQ-EFN-356-OSB	\$725	18
ECSQ-EFN-364	\$607	11
ECSQ-EFN-364-OSB	\$638	19
ECSQ-EFN-368	\$690	12
ECSQ-EFN-368-OSB	\$725	20
ECSQ-EFN-382	\$882	13
ECSQ-EFN-382-OSB	\$927	21
ECSQ-EFN-4230	\$662	6
ECSQ-EFN-4230-OSB	\$696	14
ECSQ-EFN-4237	\$662	7
ECSQ-EFN-4237-OSB	\$696	15
ECSQ-EFN-4244	\$635	8
ECSQ-EFN-4244-OSB	\$667	16
ECSQ-EFN-4250	\$690	9
ECSQ-EFN-4250-OSB	\$725	17
ECSQ-EFN-4256	\$718	10
ECSQ-EFN-4256-OSB	\$754	18
ECSQ-EFN-4264	\$690	11
ECSQ-EFN-4264-OSB	\$725	19
ECSQ-EFN-4268	\$745	12
ECSQ-EFN-4268-OSB	\$783	20
ECSQ-EFN-4282	\$938	13
ECSQ-EFN-4282-OSB	\$985	21
ECSQ-EFN-430	\$635	6
ECSQ-EFN-430-OSB	\$667	14
ECSQ-EFN-437	\$635	7
ECSQ-EFN-437-OSB	\$667	15
ECSQ-EFN-444	\$580	8
ECSQ-EFN-444-OSB	\$609	16
ECSQ-EFN-450	\$635	9
ECSQ-EFN-450-OSB	\$667	17
ECSQ-EFN-456	\$690	10
ECSQ-EFN-456-OSB	\$725	18
ECSQ-EFN-464	\$607	11
ECSQ-EFN-464-OSB	\$638	19
ECSQ-EFN-468	\$690	12
ECSQ-EFN-468-OSB	\$725	20

PART NUMBER	LIST PRICE	PAGE
ECSQ-EFN-482	\$965	13
ECSQ-EFN-482-OSB	\$1,014	21
ECSQ-EFN-530	\$635	6
ECSQ-EFN-530-OSB	\$667	14
ECSQ-EFN-537	\$635	7
ECSQ-EFN-537-OSB	\$667	15
ECSQ-EFN-544	\$580	8
ECSQ-EFN-544-OSB	\$609	16
ECSQ-EFN-550	\$635	9
ECSQ-EFN-550-OSB	\$667	17
ECSQ-EFN-556	\$690	10
ECSQ-EFN-556-OSB	\$725	18
ECSQ-EFN-564	\$607	11
ECSQ-EFN-564-OSB	\$638	19
ECSQ-EFN-568	\$690	12
ECSQ-EFN-568-OSB	\$725	20
ECSQ-EFN-582	\$1,103	13
ECSQ-EFN-582-OSB	\$1,159	21
ECSQ-EFN-GLAO-13782	\$1,727	31
ECSQ-EFN-GLAO-183782	\$1,727	31
ECSQ-EFN-GLAO-23764	\$1,698	30
ECSQ-EFN-GLAO-23782	\$1,727	31
ECSQ-EFN-GLAO-303764	\$1,759	30
ECSQ-EFN-GLAO-303782	\$1,881	31
ECSQ-EFN-GLAO-33764	\$1,875	30
ECSQ-EFN-GLAO-33782	\$2,024	31
ECSQ-EFN-GLAO-423764	\$2,019	30
ECSQ-EFN-GLAO-423782	\$2,256	31
ECSQ-EFN-GLAO-43764	\$2,057	30
ECSQ-EFN-GLAO-43782	\$2,410	31
ECSQ-EFN-GLAO-53764	\$2,504	30
ECSQ-EFN-GLAO-53782	\$2,658	31
ECSQ-EFP-130	\$524	22
ECSQ-EFP-137	\$524	23
ECSQ-EFP-144	\$441	24
ECSQ-EFP-150	\$497	25
ECSQ-EFP-156	\$552	26
ECSQ-EFP-164	\$470	27
ECSQ-EFP-168	\$470	28
ECSQ-EFP-182	\$662	29
ECSQ-EFP-1830	\$524	22
ECSQ-EFP-1837	\$524	23
ECSQ-EFP-1844	\$441	24
ECSQ-EFP-1850	\$497	25
ECSQ-EFP-1856	\$552	26
ECSQ-EFP-1864	\$470	27
ECSQ-EFP-1868	\$470	28
ECSQ-EFP-1882	\$772	29
ECSQ-EFP-230	\$470	22
ECSQ-EFP-237	\$470	23
ECSQ-EFP-244	\$387	24
ECSQ-EFP-250	\$441	25
ECSQ-EFP-256	\$497	26
ECSQ-EFP-264	\$414	27
ECSQ-EFP-268	\$414	28
ECSQ-EFP-282	\$745	29

PART NUMBER	LIST PRICE	PAGE
ECSQ-EFP-3030	\$552	22
ECSQ-EFP-3037	\$552	23
ECSQ-EFP-3044	\$497	24
ECSQ-EFP-3050	\$552	25
ECSQ-EFP-3056	\$607	26
ECSQ-EFP-3064	\$524	27
ECSQ-EFP-3068	\$607	28
ECSQ-EFP-3082	\$855	29
ECSQ-EFP-330	\$745	22
ECSQ-EFP-337	\$745	23
ECSQ-EFP-344	\$690	24
ECSQ-EFP-350	\$745	25
ECSQ-EFP-356	\$801	26
ECSQ-EFP-364	\$718	27
ECSQ-EFP-368	\$801	28
ECSQ-EFP-382	\$993	29
ECSQ-EFP-4230	\$772	22
ECSQ-EFP-4237	\$772	23
ECSQ-EFP-4244	\$745	24
ECSQ-EFP-4250	\$801	25
ECSQ-EFP-4256	\$828	26
ECSQ-EFP-4264	\$801	27
ECSQ-EFP-4268	\$855	28
ECSQ-EFP-4282	\$1,048	29
ECSQ-EFP-430	\$745	22
ECSQ-EFP-437	\$745	23
ECSQ-EFP-444	\$690	24
ECSQ-EFP-450	\$745	25
ECSQ-EFP-456	\$801	26
ECSQ-EFP-464	\$718	27
ECSQ-EFP-468	\$801	28
ECSQ-EFP-482	\$1,076	29
ECSQ-EFP-530	\$745	22
ECSQ-EFP-537	\$745	23
ECSQ-EFP-544	\$690	24
ECSQ-EFP-550	\$745	25
ECSQ-EFP-556	\$801	26
ECSQ-EFP-564	\$718	27
ECSQ-EFP-568	\$801	28
ECSQ-EFP-582	\$1,213	29
ECSQ-EFP-GLAO-23764	\$1,787	34
ECSQ-EFP-GLAO-23782	\$1,941	35
ECSQ-EFP-GLAO-303764	\$1,847	34
ECSQ-EFP-GLAO-303782	\$2,112	35
ECSQ-EFP-GLAO-33764	\$2,024	34
ECSQ-EFP-GLAO-33782	\$2,272	35
ECSQ-EFP-GLAO-423764	\$2,173	34
ECSQ-EFP-GLAO-423782	\$2,504	35
ECSQ-EFP-GLAO-43764	\$2,256	34
ECSQ-EFP-GLAO-43782	\$2,675	35
ECSQ-EFP-GLAO-53764	\$2,646	34
ECSQ-EFP-GLAO-53782	\$2,999	35
ECSQ-FPFC-30	\$83	71
ECSQ-FPFC-37	\$111	71
ECSQ-FPFC-44	\$111	71
ECSQ-FPFC-50	\$122	71

PART NUMBER	LIST PRICE	PAGE
ECSQ-FPFC-56	\$122	71
ECSQ-FPFC-64	\$128	71
ECSQ-FPFC-68	\$133	71
ECSQ-FPFC-82	\$194	71
ECSQ-FPFS-30	\$78	72
ECSQ-FPFS-37	\$78	72
ECSQ-FPFS-44	\$78	72
ECSQ-FPFS-50	\$89	72
ECSQ-FPFS-56	\$89	72
ECSQ-FPFS-64	\$89	72
ECSQ-FPFS-68	\$95	72
ECSQ-FPFS-82	\$100	72
ECSQ-GROMMET	\$53	117
ECSQ-HP-CMP-144-CH	\$273	79
ECSQ-HP-CMP-90-CH	\$216	79
ECSQ-HP-TFM-12-14-CH	\$1,623	77
ECSQ-HP-TFM-14-CH	\$1,260	77
ECSQ-LP-WS-30-T	\$168	134
ECSQ-LP-WS-60-T	\$268	134
ECSQ-MP-DL-4812	\$357	107
ECSQ-MP-DL-4829	\$441	106
ECSQ-MP-DL-6012	\$405	107
ECSQ-MP-DL-6029	\$504	106
ECSQ-MP-DL-7212	\$457	107
ECSQ-MP-DL-7229	\$570	106
ECSQ-RSHL-24	\$594	111
ECSQ-RSHL-24-SHD	\$646	111
ECSQ-RSHL-30	\$667	111
ECSQ-RSHL-30-SHD	\$720	111
ECSQ-RSSB-24	\$594	110
ECSQ-RSSB-24-SHD	\$646	110
ECSQ-RSSB-30	\$667	110
ECSQ-RSSB-30-SHD	\$720	110
ECSQ-TFM-GLAO-2WAY	\$1,623	77
ECSQ-TFM-GLAO-3WAY	\$1,623	77
ECSQ-TFM-GLAO-4WAY	\$1,623	77
ECSQ-WASC-324-T	\$289	89
ECSQ-WASC-4224-T	\$376	89
ECSQ-WASC-424-T	\$376	89
ECSQ-WASC-430-T	\$462	89
ECSQ-WASC-524-T	\$492	89
ECSQ-WDWL-4524-L	\$561	100
ECSQ-WDWL-4524-R	\$561	100
ECSQ-WDWL-4624-L	\$703	100
ECSQ-WDWL-4624-R	\$703	100
ECSQ-WDWN-47224-L-T	\$703	101
ECSQ-WDWN-47224-R-T	\$703	101
ECSQ-WRCN-424-T	\$376	91
ECSQ-WRCN-430-T	\$462	91
ECSQ-WRCN-524-T	\$492	91
ECSQ-WRCS-324-T	\$289	90
ECSQ-WRCS-4224-T	\$376	90
ECSQ-WRCS-4230-T	\$462	90
ECSQ-WRCS-430-T	\$462	90
ECSQ-WS-220-T	\$139	80
ECSQ-WS-224-T	\$145	81

PART NUMBER	LIST PRICE	PAGE
ECSQ-WS-230-T	\$203	82
ECSQ-WS-3020-T	\$162	80
ECSQ-WS-3024-T	\$168	81
ECSQ-WS-3024-T-G	\$223	83
ECSQ-WS-3024-T-G-L	\$223	84
ECSQ-WS-3024-T-G-R	\$223	85
ECSQ-WS-3030-T	\$220	82
ECSQ-WS-3030-T-G	\$251	86
ECSQ-WS-3030-T-G-L	\$251	87
ECSQ-WS-3030-T-G-R	\$251	88
ECSQ-WS-320-T	\$192	80
ECSQ-WS-324-T	\$192	81
ECSQ-WS-324-T-G	\$223	83
ECSQ-WS-324-T-G-L	\$223	84
ECSQ-WS-324-T-G-R	\$223	85
ECSQ-WS-330-T	\$238	82
ECSQ-WS-330-T-G	\$269	86
ECSQ-WS-330-T-G-L	\$269	87
ECSQ-WS-330-T-G-R	\$269	88
ECSQ-WS-420-T	\$220	80
ECSQ-WS-4220-T	\$208	80
ECSQ-WS-4224-T	\$220	81
ECSQ-WS-4224-T-G	\$251	83
ECSQ-WS-4224-T-G-L	\$251	84
ECSQ-WS-4224-T-G-R	\$251	85
ECSQ-WS-4230-T	\$266	82
ECSQ-WS-4230-T-G	\$298	86
ECSQ-WS-4230-T-G-L	\$298	87
ECSQ-WS-4230-T-G-R	\$298	88
ECSQ-WS-424-T	\$226	81
ECSQ-WS-424-T-G	\$258	83
ECSQ-WS-424-T-G-L	\$258	84
ECSQ-WS-424-T-G-R	\$258	85
ECSQ-WS-430-T	\$296	82
ECSQ-WS-430-T-G	\$327	86
ECSQ-WS-430-T-G-L	\$327	87
ECSQ-WS-430-T-G-R	\$327	88
ECSQ-WS-520-T	\$261	80
ECSQ-WS-524-T	\$266	81
ECSQ-WS-524-T-G	\$298	83
ECSQ-WS-524-T-G-L	\$298	84
ECSQ-WS-524-T-G-R	\$298	85
ECSQ-WS-530-T	\$353	82
ECSQ-WS-530-T-G	\$385	86
ECSQ-WS-530-T-G-L	\$385	87
ECSQ-WS-530-T-G-R	\$385	88
ECSQ-WS-620-T	\$365	80
ECSQ-WS-624-T	\$423	81
ECSQ-WS-624-T-G	\$454	83
ECSQ-WS-624-T-G-L	\$454	84
ECSQ-WS-624-T-G-R	\$454	85
ECSQ-WS-630-T	\$439	82
ECSQ-WS-630-T-G	\$471	86
ECSQ-WS-630-T-G-L	\$471	87
ECSQ-WS-630-T-G-R	\$471	88
ECSQ-WS-6624-T	\$370	81

PART NUMBER	LIST PRICE	PAGE
ECSQ-WS-6624-T-G	\$402	83
ECSQ-WS-6624-T-G-L	\$402	84
ECSQ-WS-6624-T-G-R	\$402	85
ECSQ-WS-6630-T	\$408	82
ECSQ-WS-6630-T-G	\$439	86
ECSQ-WS-6630-T-G-L	\$439	87
ECSQ-WS-6630-T-G-R	\$439	88
ECSQ-WS-724-T	\$492	81
ECSQ-WS-724-T-G	\$523	83
ECSQ-WS-724-T-G-L	\$523	84
ECSQ-WS-724-T-G-R	\$523	85
ECSQ-WS-730-T	\$509	82
ECSQ-WS-730-T-G	\$540	86
ECSQ-WS-730-T-G-L	\$540	87
ECSQ-WS-730-T-G-R	\$540	88
ECSQ-WS-820-T	\$446	80
ECSQ-WS-824-T	\$492	81
ECSQ-WS-824-T-G	\$523	83
ECSQ-WS-824-T-G-L	\$523	84
ECSQ-WS-824-T-G-R	\$523	85
ECSQ-WS-830-T	\$509	82
ECSQ-WS-830-T-G	\$540	86
ECSQ-WS-830-T-G-L	\$540	87
ECSQ-WS-830-T-G-R	\$540	88
ECSQ-WSP-2429-L	\$315	104
ECSQ-WSP-2429-R	\$315	104
ECSQ-WSP-3029-L	\$343	104
ECSQ-WSP-3029-R	\$343	104
ECSQ-WUCZ-3636-T	\$474	98
ECSQ-WUCZ-4242-T	\$555	98
ECSQ-WUCZ-4848-T	\$636	98
ECSQ-WUDZ-2426-T	\$289	98
ECSQ-WWET-4623-L-T	\$875	96
ECSQ-WWET-4623-R-T	\$875	96
ECSQ-WWET-4632-L-T	\$875	96
ECSQ-WWET-4632-R-T	\$875	96
ECSQ-WWLC-4823-T	\$457	97
ECSQ-WWLC-4832-T	\$457	97
ECSQ-WY-34-2424-T	\$365	92
ECSQ-WY-35-2424-T	\$434	92
ECSQ-WY-36-2424-T	\$480	92
ECSQ-WY-43-2424-T	\$365	92
ECSQ-WY-45-2424-T	\$451	92
ECSQ-WY-45-3030-T	\$561	93
ECSQ-WY-46-2424-T	\$520	92
ECSQ-WY-46-3030-T	\$665	93
ECSQ-WY-53-2424-T	\$434	92
ECSQ-WY-53-3030-T	\$566	93
ECSQ-WY-54-2424-T	\$451	92
ECSQ-WY-54-3030-T	\$561	93
ECSQ-WY-63-2424-T	\$480	92
ECSQ-WY-64-2424-T	\$520	92
ECSQ-WY-64-3030-T	\$665	93
ECSQ-WYC-34-2424-T	\$365	94
ECSQ-WYC-35-2424-T	\$434	94
ECSQ-WYC-36-2424-T	\$480	94



TERMS & CONDITIONS

COMMON CARRIER SHIPMENT: ALL PRODUCTS ARE SOLD FROM OUR CHANDLER, AZ LOCATION. WE WILL ARRANGE FREIGHT IF THE BUYER DOES NOT HAVE A DISCOUNT SCHEDULE WITH A PREFERRED FREIGHT COMPANY. WE WILL PREPAY THE FREIGHT AND BILL THE BUYER ACCORDING TO OUR STANDARD FREIGHT POLICY (**SEE RSI FREIGHT POLICY ON PAGE-2**).

EXCLUSIVE SHIPPING PROCEDURES: THE ARRIVAL TIME FOR ANY SHIPMENT SENT VIA EXCLUSIVE CARRIER WILL BE GUARANTEED TO WITHIN A ONE-HOUR WINDOW OF THE REQUESTED TIME. NEITHER RSI NOR THE CARRIER WILL BE HELD RESPONSIBLE FOR TRUCKS THAT ARE DELAYED DUE TO ACTS OF PUBLIC AUTHORITY, MECHANICAL DIFFICULTIES, ILLNESS OR INCAPACITATION, WEATHER RELATED DELAYS, TRAFFIC ACCIDENT OR ROAD CONDITIONS CAUSING EXTRAORDINARY TRAFFIC DELAYS. EXCLUSIVE TRUCKS MUST BE UNLOADED WITHIN TWO HOURS OF ARRIVAL OR FREIGHT WAITING CHARGES MAY BE ASSESSED.

INSPECTION: (A) BUYER IS RESPONSIBLE TO HAVE QUALIFIED PERSONNEL AVAILABLE TO RECEIVE AND INSPECT THE GOODS. (B) ANY DAMAGE IN TRANSIT MUST BE NOTED ON THE BILL OF LADING TO ENABLE FILING AND COLLECTION OF CLAIM FROM THE CARRIER. FAILURE TO NOTE SHIPPING DAMAGE WILL RESULT IN THE DENIAL OF COMPENSATION BY THE CARRIER AND WILL BE THE RESPONSIBILITY OF THE BUYER TO PAY FOR REPLACEMENT GOODS. IT IS THE BUYER'S RESPONSIBILITY TO FILE ANY AND ALL DAMAGE/SHORTAGE CLAIMS WITH THE FREIGHT CARRIER; HOWEVER RSI WILL BE HAPPY TO ASSIST THE BUYER IN THIS PROCESS. (C) SHORTAGES MUST BE REPORTED TO RSI WITHIN 48 HOURS OF RECEIPT OF SHIPMENT OR THE BUYER WILL BE RESPONSIBLE FOR PAYMENT FOR REPLACEMENT GOODS.

ORDER CHANGES AND CANCELLATIONS: ANY CHANGES/CANCELLATIONS PRIOR TO FINAL PRODUCTION OF ORDER MUST BE SUBMITTED FOR APPROVAL. IF APPROVED, BUYER WILL BE HELD RESPONSIBLE FOR ALL LABOR AND MATERIAL COSTS INCURRED PRIOR TO THE CHANGE AND/OR CANCELLATION. CHANGES OR CANCELLATIONS AFTER FINAL PRODUCTION OF THE ORDER BUT PRIOR TO SHIPMENT FALL UNDER THE "RETURNS" SECTION BELOW. THERE IS NO FINANCIAL PENALTY FOR ADDITIONS TO ORDERS; HOWEVER, ANY CHANGE MAY CAUSE THE ORDER TO BE RESCHEDULED AND MAY EFFECT LEAD TIME.

TERMS: NEW BUYERS WILL BE REQUIRED TO ACCOMPANY ORDERS WITH A 50% DEPOSIT. IN ADDITION, ALL ORDERS IN EXCESS OF \$10,000 WILL REQUIRE A 50% DEPOSIT AND ORDERS FROM EXISTING BUYERS WHICH CAUSE THAT BUYER TO EXCEED THEIR CREDIT LIMIT WILL REQUIRE A DEPOSIT EQUAL TO THE AMOUNT BY WHICH THE NEW ORDER CAUSES THE BUYER'S BALANCE TO EXCEED THEIR CREDIT LIMIT. NO MATERIAL WILL BE ORDERED OR WORK PERFORMED ON AN ORDER UNTIL A WRITTEN PURCHASE ORDER AND THE REQUIRED DEPOSIT HAVE BEEN RECEIVED. THE INVOICE AMOUNT LESS ANY DEPOSIT IS DUE 30 DAYS FROM DATE OF INVOICE UNLESS OTHERWISE SPECIFIED. SALES WILL BE INVOICED UPON COMPLETION OF PRODUCTION. DELIVERY DELAYS REQUESTED BY THE BUYER WILL NOT ALTER THE 30-DAY PAYMENT TERMS.

PRICING: PRICES QUOTED WILL BE VALID FOR 30 DAYS FROM THE DATE OF QUOTATION.

FINANCING: FINANCE CHARGES WILL BE ASSESSED ON ALL ACCOUNT BALANCES OVER THIRTY (30) DAYS PAST THE DATE OF INVOICE AT A RATE OF 1-1/2% PER MONTH (18% PER ANNUM). RSI RESERVES THE RIGHT TO PROCEED WITH LEGAL ACTION OR TURN THE ACCOUNT OVER TO AN AGENCY FOR COLLECTION ON ANY ACCOUNT BALANCE PAST 60 DAYS FROM THE DATE OF INVOICE. WE WILL GIVE THE BUYER NOTICE PRIOR TO THIS ACTION SO THE BUYER MAY AVOID PAYING ANY LEGAL, COLLECTION OR HANDLING COSTS INCURRED IN RECOVERING THE MERCHANDISE OR COLLECTION OF THE DEBT (BUYER AGREES TO PAY ALL THESE COLLECTION COSTS INCLUDING REASONABLE ATTORNEY FEES).

RETURNS: ALL PRODUCTS ARE CUSTOM MANUFACTURED FOR THE BUYER. THE COMPANY MAINTAINS NO FINISHED GOODS INVENTORY. RETURN SHIPMENTS ARE NOT ACCEPTED UNLESS SPECIFICALLY AUTHORIZED BY THE COMPANY ON A RETURNED GOODS AUTHORIZATION FORM. IF THE COMPANY APPROVES A PRODUCT RETURN AND BUYER RETURNS THE GOODS AT ITS EXPENSE, BUYER WILL RECEIVE A CREDIT RANGING FROM 10% - 40% OF THE ORIGINAL SALE AMOUNT DEPENDENT UPON THE ITEMS RETURNED. MERCHANDISE MUST BE RECEIVED IN NEW CONDITION. NO CREDIT WILL BE ISSUED FOR DAMAGED PRODUCTS. ALL RETURNS MUST BE MADE WITHIN 30 DAYS AFTER RETURN AUTHORIZATION IS ISSUED.

ECHO SYSTEMS WARRANTY: ECHO SYSTEMS IS WARRANTIED FOR MATERIAL AND WORKMANSHIP FOR LIFETIME TO ORIGINAL PURCHASE FOR ANY DEFECTS IN WORKMANSHIP AND/OR MATERIALS. THE PRODUCT MUST NOT EXCEED THE SUPPORT AND LOAD LIMITS GUIDELINES AS OUTLINED BELOW. UL ELECTRICAL GUIDELINES FOR APPLICATION OF POWERED PANELS MUST BE STRICTLY ADHERED TO. WE RESERVE THE RIGHT TO INSPECT THE INSTALLATION AND PERFORM ANY OR ALL LABOR WARRANTY WORK. PRODUCT MISUSE, ABUSE, OR FAILURE TO ADHERE TO THE GUIDELINES OUTLINED WILL VOID ALL WARRANTIES IMPLIED OR EXPRESSED.

OTHER PRODUCT WARRANTY: ALL OTHER MANUFACTURERS' WILL BE WARRANTIED BASED ON THE MANUFACTURERS WARRANTIES.

NOTE:

FURNITURE PERFORMANCE: PROPER USE AND LOADING OF THE FURNITURE IS REQUIRED FOR MAXIMUM PERFORMANCE AND LIFESPAN. ALL STORAGE ITEMS HAVE LOAD WEIGHT CAPACITIES. LOAD CAPACITIES AND PROPER LOADING TECHNIQUES ARE PROVIDED BELOW. STANDING OR SITTING ON WORKSURFACES WILL GENERALLY EXCEED LOAD CAPACITY. DAMAGE CAUSED AS A RESULT OF SITTING OR STANDING ON THE FURNITURE WILL NOT BE COVERED UNDER WARRANTY.

ELECTRICAL: THE ELECTRICAL SYSTEM IS AN 8-WIRE 3-CIRCUIT SYSTEM. PROVIDED THAT THE BUILDING ELECTRICAL DISTRIBUTING 3 SEPARATE CIRCUITS TO EACH JUNCTION INTO THE PANEL SYSTEM, THE TOTAL AMPERAGE AVAILABLE PER JUNCTION WILL BE 60 AMPS (20 AMPS PER CIRCUIT). THE NATIONAL ELECTRICAL CODE (NEC) REQUIRES THAT CIRCUIT CAPACITY BE REDUCED BY 20%. THEREFORE, TREAT CIRCUITS USED FOR CONTINUOUS LOADS AS IF THEY WERE RATED AT 16 AMPS FOR ECHO SYSTEMS PRODUCT. THE MAXIMUM NUMBER OF DUPLEX RECEPTACLES PER CIRCUIT IS NOT TO EXCEED EIGHT. BALANCED AMPERAGE LOADING (INDIVIDUAL CIRCUITS MUST HAVE POWER DRAW WITHIN 15% OF THE DRAW OF THE OTHER TWO CIRCUITS) IS ESSENTIAL. APPLIANCES, SUCH AS LARGE COPIERS, COFFEE MACHINES, SPACE HEATERS, MICROWAVES, AND SOME PRINTERS REQUIRE MOST OF THE CURRENT AVAILABLE ON A 20 AMP CIRCUIT. THIS LEAVES THE CAPACITY OF THE FURNITURE CIRCUITS AVAILABLE FOR MORE DYNAMIC REQUIREMENTS OF THE OFFICE EQUIPMENT AND ELIMINATES THE POTENTIAL FOR CIRCUIT OVERLOAD AND POWER SHUT DOWN. SPECIFICATIONS FOR HARDWIRING JUNCTIONS WILL BE PROVIDED TO THE BUYER OR ELECTRICIAN UPON REQUEST. ANY ELECTRICAL CONNECTIONS NOT WITHIN THE SPECIFICATIONS CAN AFFECT THE PERFORMANCE OF THE ELECTRICAL SYSTEMS AND POSSIBLY VOID THE WARRANTY.

COMPONENT LOAD LIMITS:

ALL LOAD CAPACITIES ARE BASED ON PANEL MOUNTED COMPONENTS. THE USE OF WALL TRACKING CAN AFFECT THE LOAD CAPACITIES IF PROPER BACKING IS NOT SUPPLIED BEHIND DRYWALL. ALL WORKSURFACES HAVE A LOAD CAPACITY OF 200 LBS.

REGULAR AND DEEP STORAGE SHELVES HAVE THE FOLLOWING LOAD CAPACITY:

24", 30" AND 36" WIDE SHELVES 100LBS
42" AND 48" WIDE SHELVES 150LBS
60" WIDE SHELVES 175LBS

