



	PAGE
FREIGHT POLICY	2
FINISH CODES	3
PANEL	4-13
CONNECTION POSTS	14-19
END TRIM	20-22
FRAMELESS GLASS	24-27
WORKSURFACES	28-43
WORKSURFACE SUPPORTS	44-49
LOWER STORAGE	50-52
UPPER STORAGE	53-56
ELECTRICAL	58-68
HEIGHT ADJUSTABLE	69
TERMS & CONDITIONS	70

FOR HELP WITH DESIGN CONTACT:  
DESIGN@RESY.NET

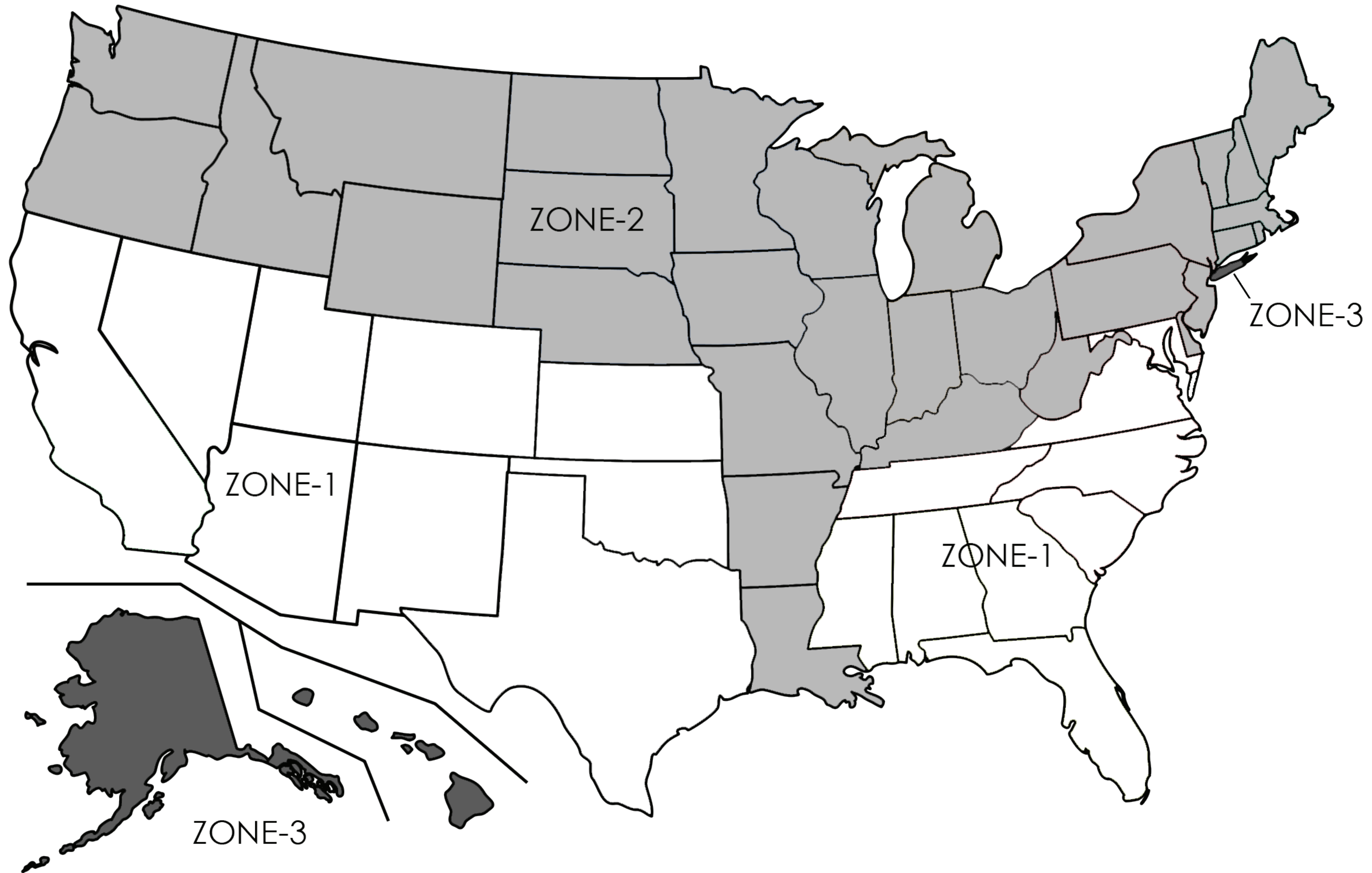
FOR HELP WITH ORDER ENTRY CONTACT:  
CUSTOMERSERVICE@RESY.NET

RSI  
235 S. 56TH ST.  
CHANDLER, AZ 85226  
800-280-5000

RSISYSTEMSFURNITURE.COM



# FREIGHT POLICY



## ZONE-1

TOTAL LIST PRICE	FREIGHT COST
\$0 - \$10,000	\$200
\$10,001 - \$25,000	10% OF ORDER (NET OF DISCOUNT)
\$25,001 - \$50,000	5% OF ORDER (NET OF DISCOUNT)
\$50,001 +	FREE FREIGHT

## ZONE-2

TOTAL LIST PRICE	FREIGHT COST
\$0 - \$10,000	\$200
\$10,001 - \$25,000	15% OF ORDER (NET OF DISCOUNT)
\$25,001 - \$50,000	10% OF ORDER (NET OF DISCOUNT)
\$50,001 - \$100,000	5% OF ORDER (NET OF DISCOUNT)
\$100,001 +	FREE FREIGHT

## ZONE-3

REQUEST QUOTE	CANADA, HAWAII, ALASKA, NEW YORK CITY, NY
---------------	---



## EZcube FINISHES

### PAINT

CODE	COLOR
SV	SILVER

### LAMINATE

EDGE	COLOR
CWH	WHITE
MW	MODERN WALNUT
GC	GREY CYPRESS

### GRADE-1 FABRIC

CODE	FABRIC
01	NICKEL

## EZcube PLUS FINISHES

### PAINT

CODE	COLOR
SV	SILVER

### LAMINATE

EDGE	COLOR
CWH	WHITE
MW	MODERN WALNUT
GC	GREY CYPRESS

### GRADE-1 FABRIC

CODE	FABRIC
01	NICKEL
02	SLATE
03	SANDSTONE

### GRADE-2 FABRIC

SERIES	FABRIC
ALLIANCE	STARDUST
ALLIANCE	STERLING
ALLIANCE	MICA

### GRADE-2 FABRIC

SERIES	FABRIC
CENTURY	ASPEN
CENTURY	ATLANTIC
CENTURY	FOSSIL

### GRADE-2 FABRIC

SERIES	FABRIC
TRACTION	CHROME
TRACTION	GREYSTONE
TRACTION	EARTH

### GRADE-2 FABRIC

SERIES	FABRIC
PRIMETIME	CHINO
PRIMETIME	CINDER
PRIMETIME	JET BLACK

### GRADE-2 FABRIC

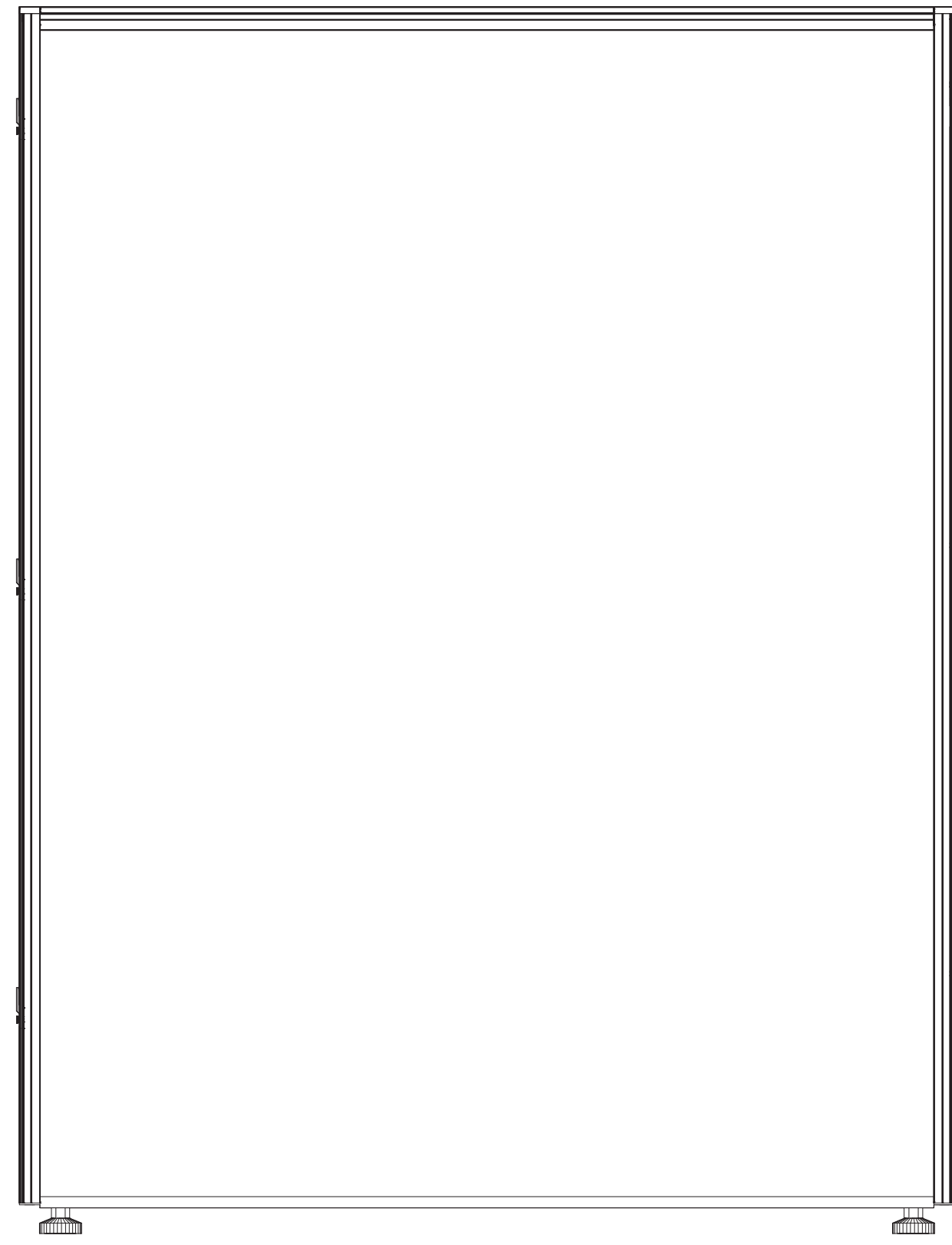
SERIES	FABRIC
PRIMETIME	SPRING
PRIMETIME	CHAMBRAY
PRIMETIME	PAPRIKA

### GRADE-2 FABRIC

SERIES	FABRIC
PRIMETIME	ALOE
PRIMETIME	MARINA
PRIMETIME	SCARLET



# X1 PANELS / 47”



**FEATURES:**

- QUICK CONNECT INSTALLATION
- FULLY ASSEMBLED WHEN SHIPPED

**TO ORDER, SPECIFY:**

- PART NUMBER / SIZE
- PAINT COLOR
- FABRIC

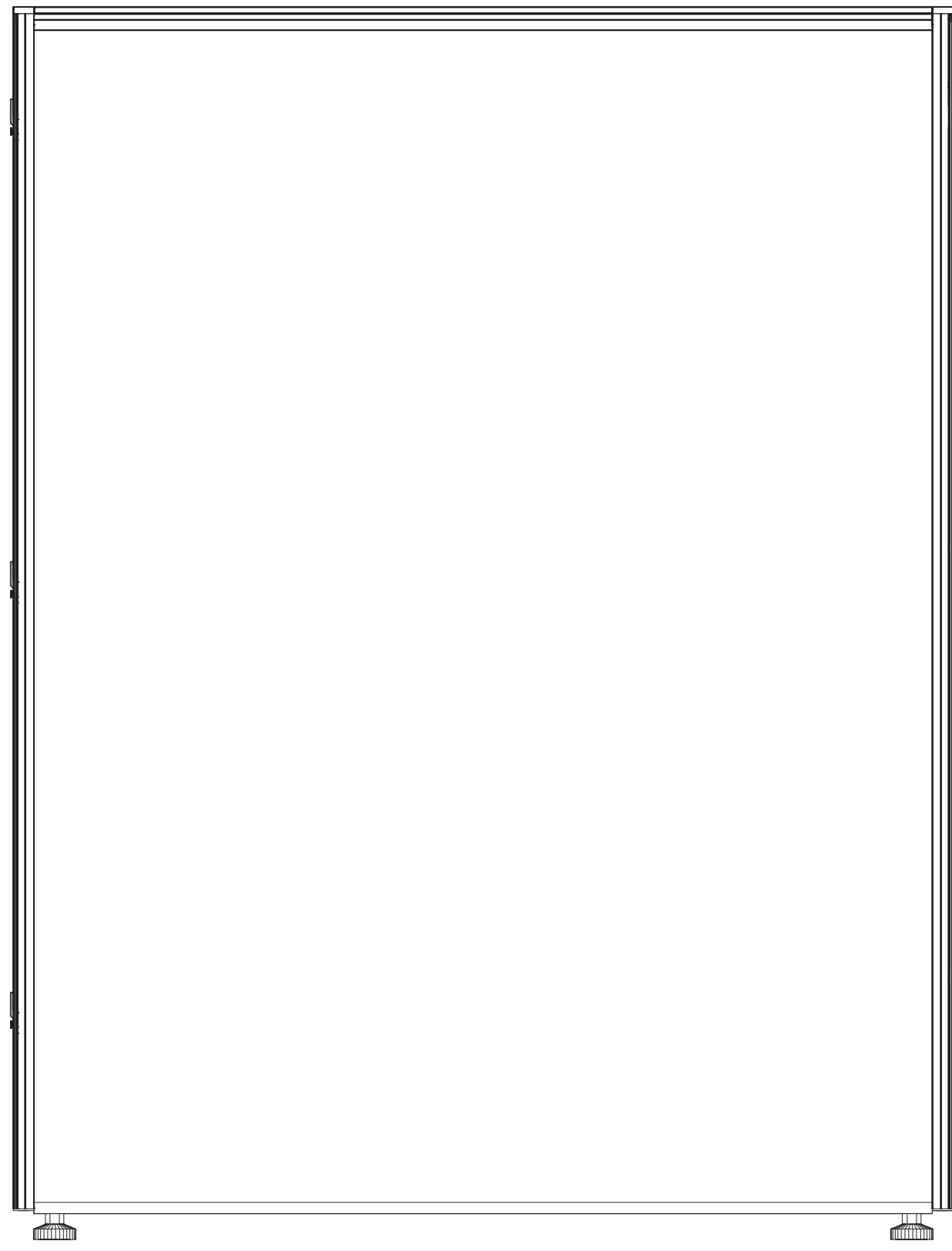
HEIGHT	WIDTH	DEPTH	PART NUMBER	LIST PRICE
47.25”	24”	1.25”	X1-PNL-24-47-?-?	\$235
47.25”	30”	1.25”	X1-PNL-30-47-?-?	\$275
47.25”	36”	1.25”	X1-PNL-36-47-?-?	\$315

**NOTES:**

- PANELS DO NOT CARRY POWER / DATA
- AVAILABLE WITH EZcube FINISHES ONLY / SEE TOP OF PAGE-3



# X1 PANELS / 65"



**FEATURES:**

- QUICK CONNECT INSTALLATION
- FULLY ASSEMBLED WHEN SHIPPED

**TO ORDER, SPECIFY:**

- PART NUMBER / SIZE
- PAINT COLOR
- FABRIC

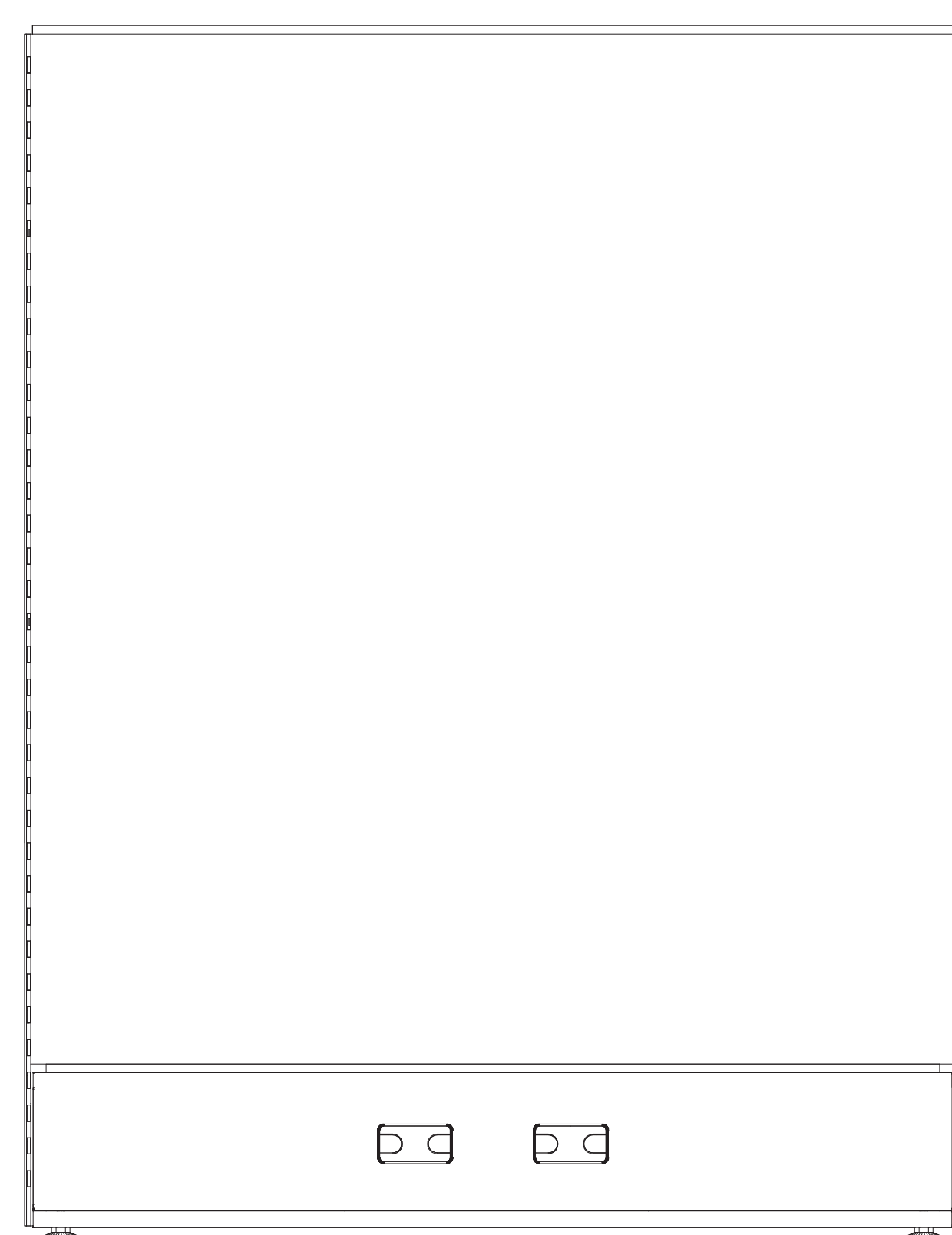
HEIGHT	WIDTH	DEPTH	PART NUMBER	LIST PRICE
65"	24"	1.25"	X1-PNL-24-65-?-?	\$290
65"	30"	1.25"	X1-PNL-30-65-?-?	\$335
65"	36"	1.25"	X1-PNL-36-65-?-?	\$375

**NOTES:**

- PANELS DO NOT CARRY POWER / DATA
- AVAILABLE WITH EZcube FINISHES ONLY / SEE TOP OF PAGE-3



# X3 PANELS / 47" ( GRADE-1 )



## FEATURES:

- RECEPTACLE CAPS W/ DATA KNOCKOUTS
- ALUMINUM BASEPLATE
- PRE-MOUNTED HOOKS FOR POWER BLOCKS

## TO ORDER, SPECIFY:

- PART NUMBER / SIZE
- PAINT COLOR
- FABRIC

HEIGHT	WIDTH	DEPTH	FABRIC GRADE	PART NUMBER	LIST PRICE
47.25"	24"	3.25"	GRADE-1	X3-PNL-24-47-?-?	\$465
47.25"	30"	3.25"	GRADE-1	X3-PNL-30-47-?-?	\$550
47.25"	36"	3.25"	GRADE-1	X3-PNL-36-47-?-?	\$635

## NOTES:

- TOP CAPS SPECIFIED SEPARATELY. SEE PAGE-13
- POWER SPECIFIED SEPARATELY. SEE PAGE-40
- SEE EZcube PLUS FINISHES ON PAGE-3 FOR FABRIC OPTIONS



## X3 ADD-ON PANELS / 18" ( GRADE-1 )

### FEATURES:

- MOUNTING HARDWARE INCLUDED

### TO ORDER, SPECIFY:

- PART NUMBER / SIZE
- PAINT COLOR
- FABRIC



HEIGHT	WIDTH	DEPTH	FABRIC GRADE	PART NUMBER	LIST PRICE
17.75"	24"	3.25"	GRADE-1	X3-FBAO-24-18-?-?	\$230
17.75"	30"	3.25"	GRADE-1	X3-FBAO-30-18-?-?	\$270
17.75"	36"	3.25"	GRADE-1	X3-FBAO-36-18-?-?	\$295

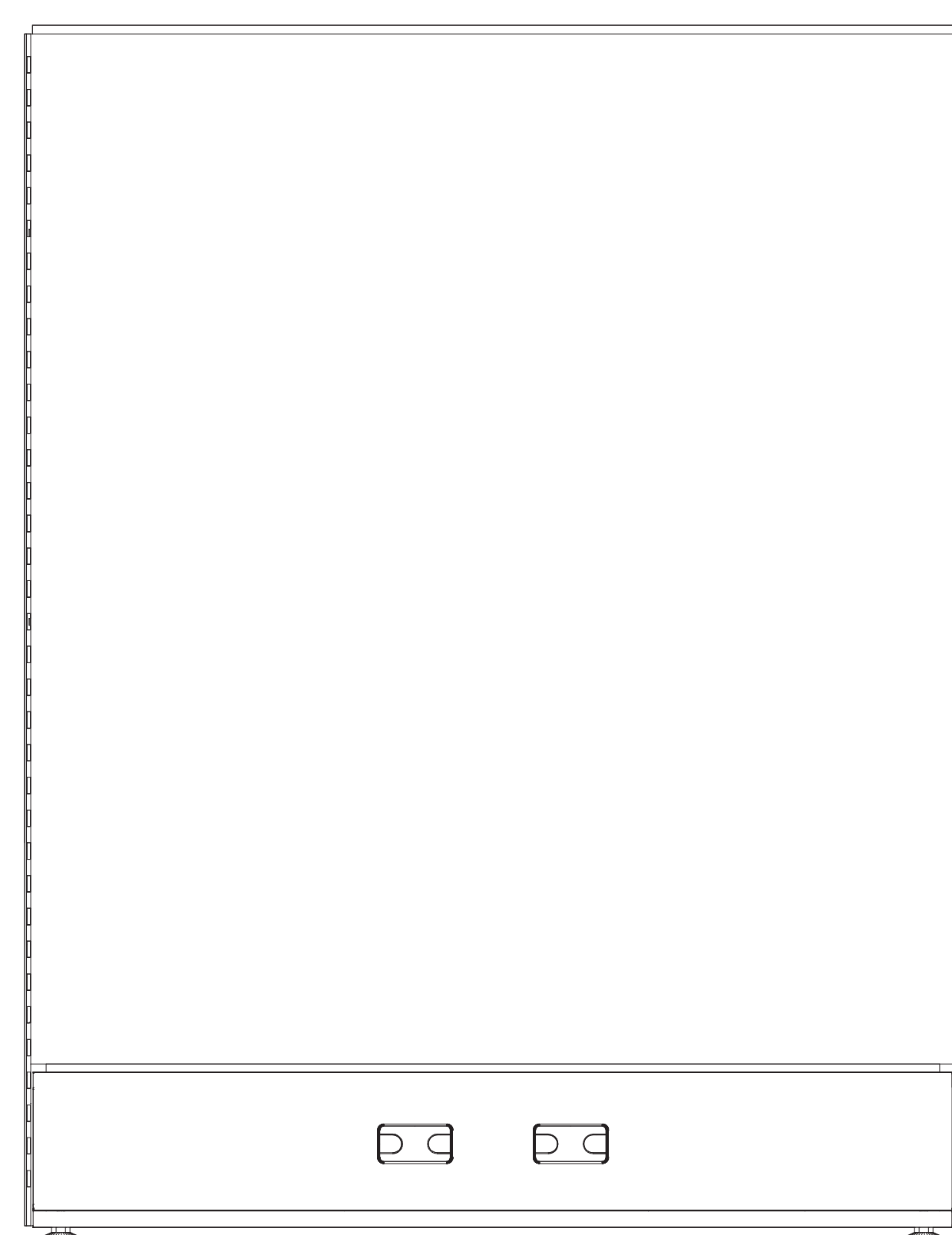
### NOTES:

- TOP CAPS SPECIFIED SEPARATELY. SEE PAGE-13
- SEE EZcube PLUS FINISHES ON PAGE-3 FOR FABRIC OPTIONS





# X3 PANELS / 47" ( GRADE-2 )



**FEATURES:**

- RECEPTACLE CAPS W/ DATA KNOCKOUTS
- ALUMINUM BASEPLATE
- PRE-MOUNTED HOOKS FOR POWER BLOCKS

**TO ORDER, SPECIFY:**

- PART NUMBER / SIZE
- PAINT COLOR
- FABRIC

HEIGHT	WIDTH	DEPTH	FABRIC GRADE	PART NUMBER	LIST PRICE
47.25"	24"	3.25"	GRADE-2	X3-PNL2-24-47-?-?	\$630
47.25"	30"	3.25"	GRADE-2	X3-PNL2-30-47-?-?	\$745
47.25"	36"	3.25"	GRADE-2	X3-PNL2-36-47-?-?	\$860

**NOTES:**

- TOP CAPS SPECIFIED SEPARATELY. SEE PAGE-13
- POWER SPECIFIED SEPARATELY. SEE PAGE-40
- SEE EZcube PLUS FINISHES ON PAGE-3 FOR FABRIC OPTIONS



# X3 ADD-ON PANELS / 18" ( GRADE-2 )

**FEATURES:**

- MOUNTING HARDWARE INCLUDED

**TO ORDER, SPECIFY:**

- PART NUMBER / SIZE
- PAINT COLOR
- FABRIC



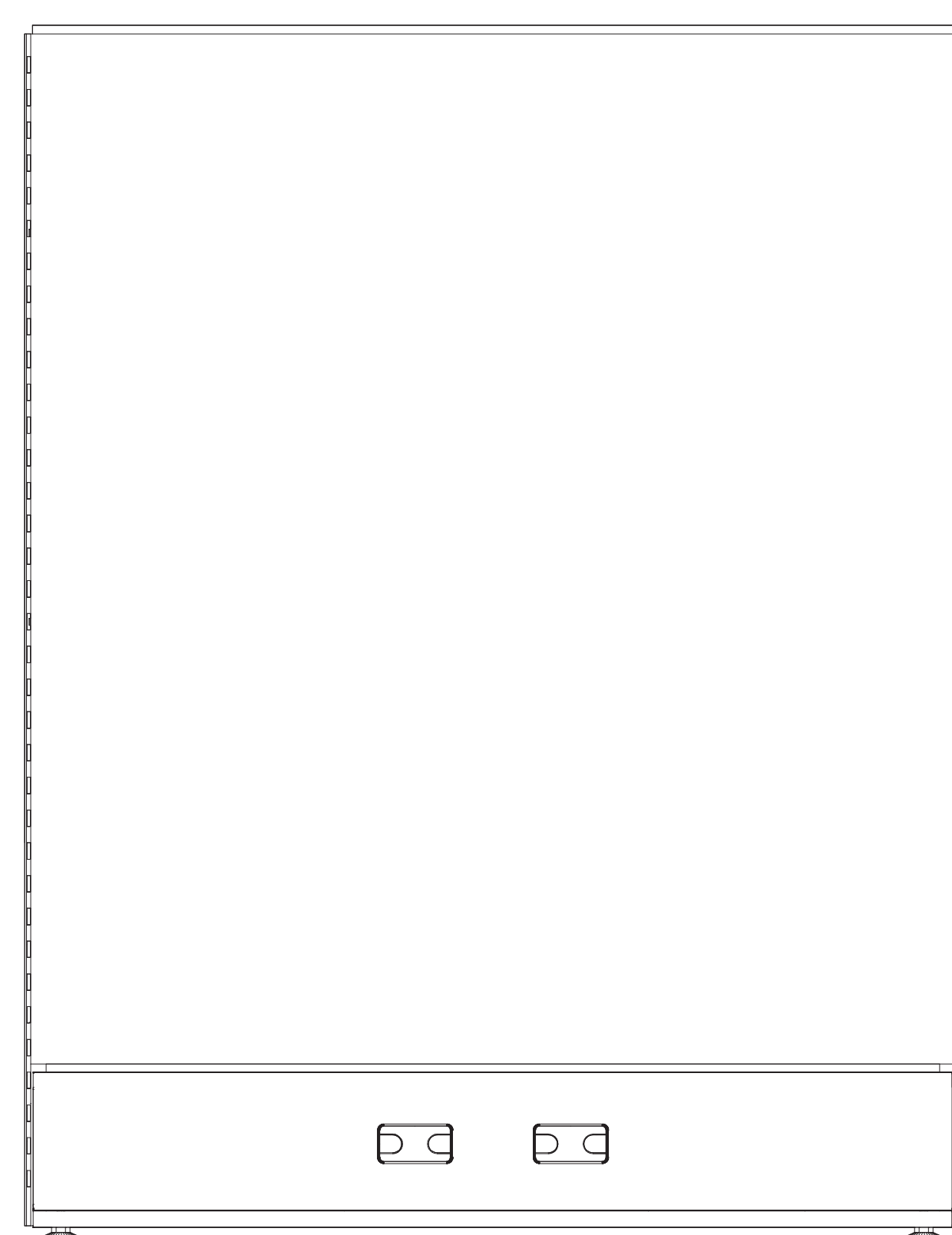
HEIGHT	WIDTH	DEPTH	FABRIC GRADE	PART NUMBER	LIST PRICE
17.75"	24"	3.25"	GRADE-2	X3-FBAO-24-18-?-?	\$310
17.75"	30"	3.25"	GRADE-2	X3-FBAO-30-18-?-?	\$365
17.75"	36"	3.25"	GRADE-2	X3-FBAO-36-18-?-?	\$400

**NOTES:**

- TOP CAPS SPECIFIED SEPARATELY. SEE PAGE-13
- SEE EZcube PLUS FINISHES ON PAGE-3 FOR FABRIC OPTIONS



## X3 PANELS / 47" ( ONE SIDE GRADE-2 )



### FEATURES:

- RECEPTACLE CAPS W/ DATA KNOCKOUTS
- ALUMINUM BASEPLATE
- PRE-MOUNTED HOOKS FOR POWER BLOCKS

### TO ORDER, SPECIFY:

- PART NUMBER / SIZE
- PAINT COLOR
- FABRIC

HEIGHT	WIDTH	DEPTH	FABRIC GRADE	PART NUMBER	LIST PRICE
47.25"	24"	3.25"	HALF GRADE-1 / HALF GRADE-2	X3-PNL5-24-47-?-?	\$550
47.25"	30"	3.25"	HALF GRADE-1 / HALF GRADE-2	X3-PNL5-30-47-?-?	\$650
47.25"	36"	3.25"	HALF GRADE-1 / HALF GRADE-2	X3-PNL5-36-47-?-?	\$750

### NOTES:

- TOP CAPS SPECIFIED SEPARATELY. SEE PAGE-13
- POWER SPECIFIED SEPARATELY. SEE PAGE-40
- SEE EZcube PLUS FINISHES ON PAGE-3 FOR FABRIC OPTIONS



# X3 ADD-ON PANELS / 18" ( ONE SIDE GRADE-2 )



**FEATURES:**

- MOUNTING HARDWARE INCLUDED

**TO ORDER, SPECIFY:**

- PART NUMBER / SIZE
- PAINT COLOR
- FABRIC

HEIGHT	WIDTH	DEPTH	FABRIC GRADE	PART NUMBER	LIST PRICE
17.75"	24"	3.25"	HALF GRADE-1 / HALF GRADE-2	X3-FBAO-24-18-?-?	\$270
17.75"	30"	3.25"	HALF GRADE-1 / HALF GRADE-2	X3-FBAO-30-18-?-?	\$320
17.75"	36"	3.25"	HALF GRADE-1 / HALF GRADE-2	X3-FBAO-36-18-?-?	\$350

**NOTES:**

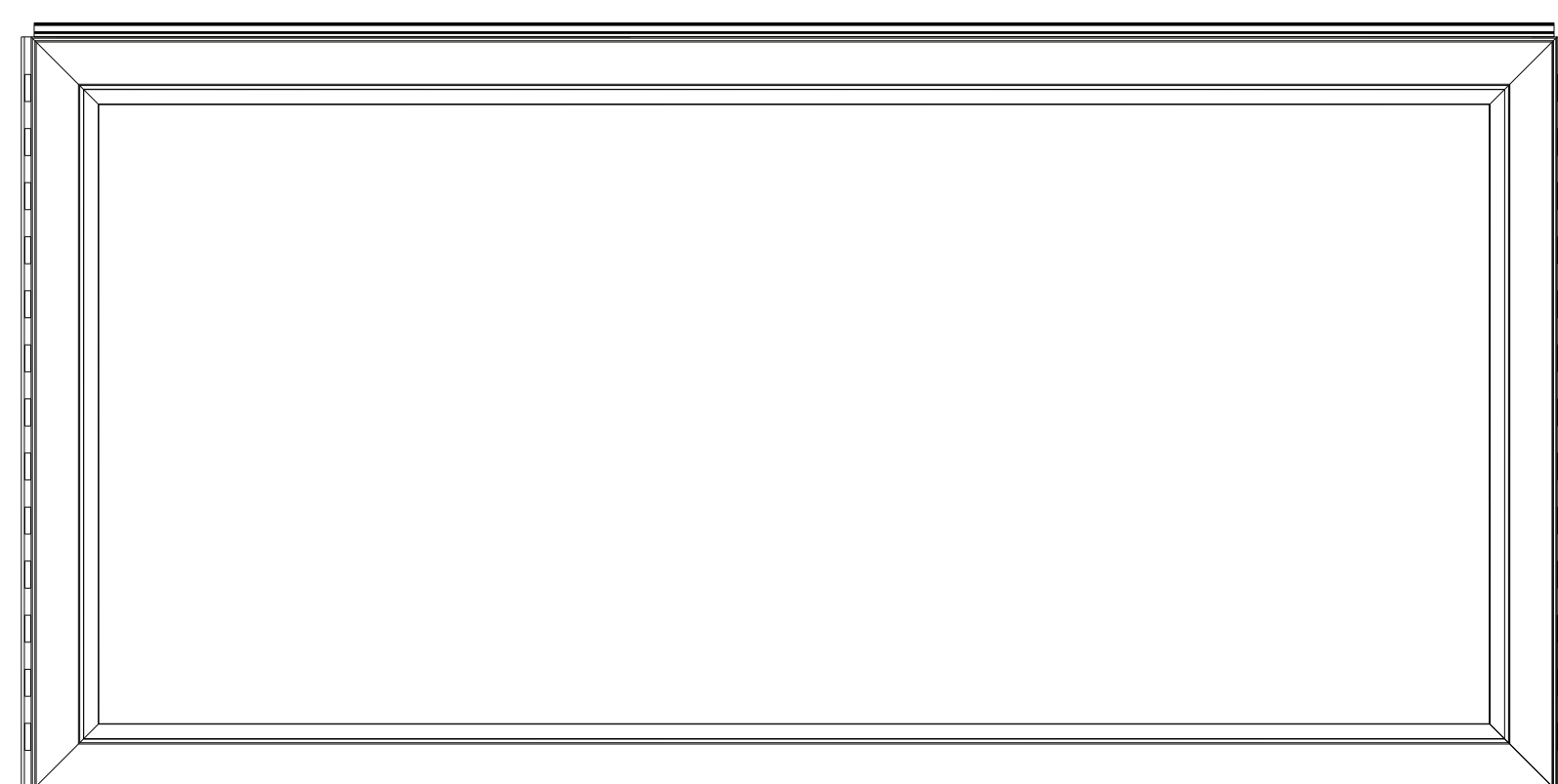
- TOP CAPS SPECIFIED SEPARATELY. SEE PAGE-13
- SEE EZcube PLUS FINISHES ON PAGE-3 FOR FABRIC OPTIONS



# X3 GLASS ADD-ON PANELS

## FEATURES:

- 2QTY 1/4" GLASS PIECES PER ADD-ON
- MOUNTING HARDWARE INCLUDED



## TO ORDER, SPECIFY:

- PART NUMBER / SIZE
- PAINT COLOR
- FABRIC

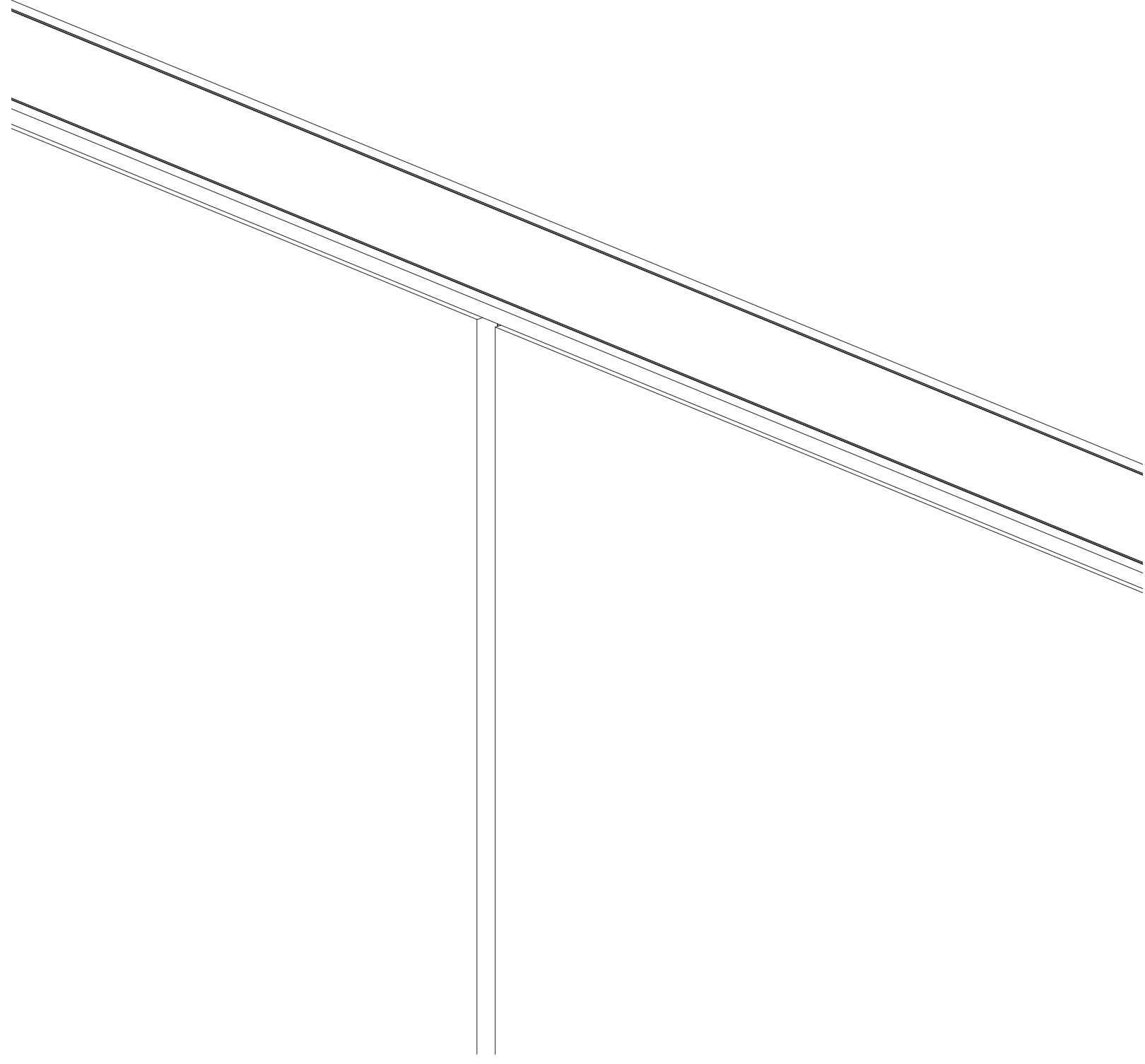
HEIGHT	WIDTH	DEPTH	GLASS	PART NUMBER	LIST PRICE
17.75"	24"	3.25"	CLEAR	X3-GLAO-24-18-?	\$375
17.75"	30"	3.25"	CLEAR	X3-GLAO-30-18-?	\$425
17.75"	36"	3.25"	CLEAR	X3-GLAO-36-18-?	\$480

## NOTES:

- TOP CAPS SPECIFIED SEPARATELY. SEE PAGE-13
- AVAILABLE WITH CLEAR GLASS ONLY



# X3 TOP CAPS



## FEATURES:

- ABILITY TO SPAN MULTIPLE PANELS

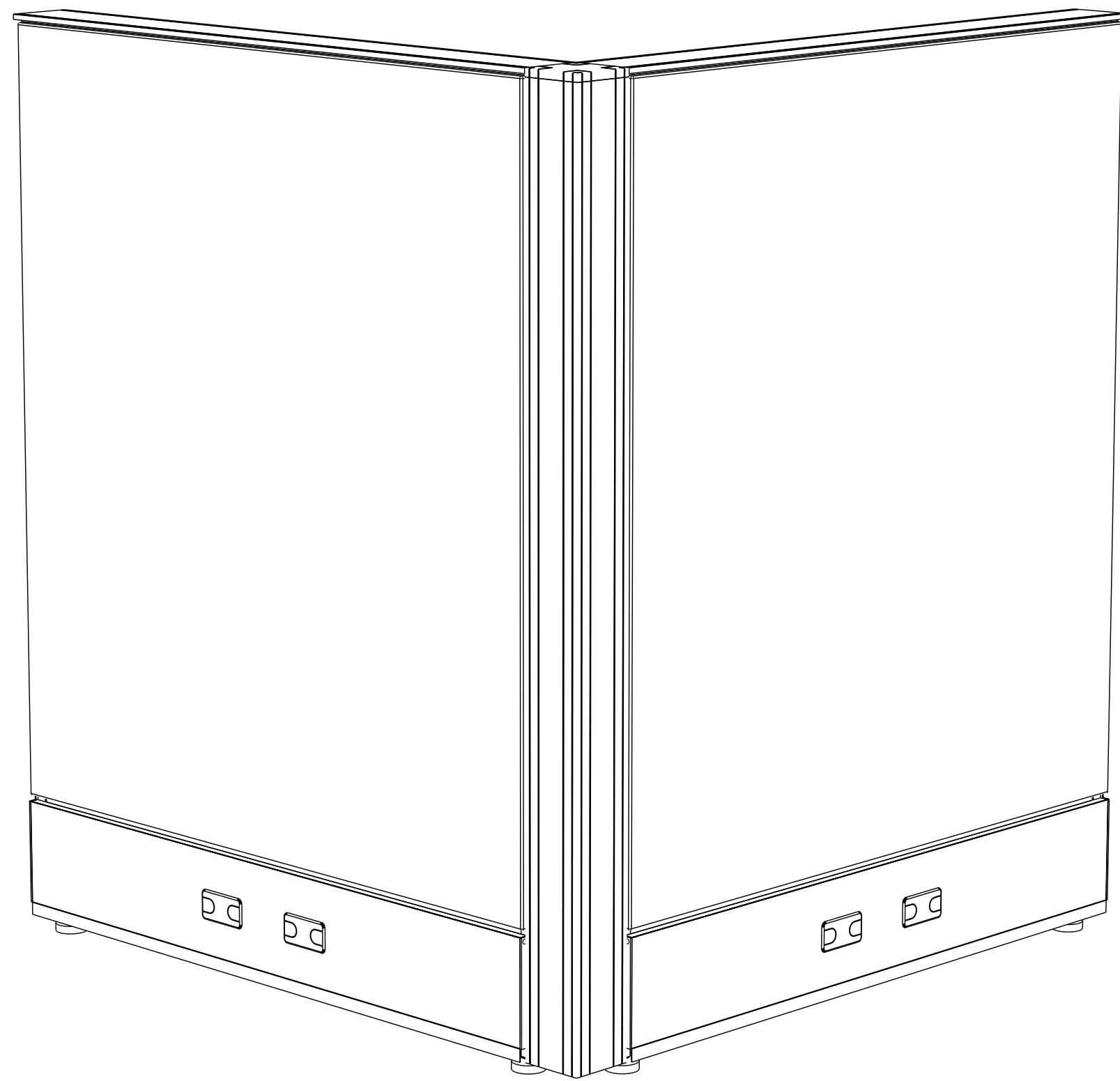
## TO ORDER, SPECIFY:

- PART NUMBER
- LENGTH
- COLOR

LENGTH	PART NUMBER	LIST PRICE
24"	X3-TC-24-?	\$30
30"	X3-TC-30-?	\$30
36"	X3-TC-36-?	\$30
42"	X3-TC-42-?	\$30
48"	X3-TC-48-?	\$30
54"	X3-TC-54-?	\$60
60"	X3-TC-60-?	\$60
66"	X3-TC-66-?	\$60
72"	X3-TC-72-?	\$40
78"	X3-TC-78-?	\$60
84"	X3-TC-84-?	\$60
90"	X3-TC-90-?	\$60
96"	X3-TC-96-?	\$60



# X3 CONNECTION POSTS-47”



**FEATURES:**

- MOUNTING HARDWARE INCLUDED
- SIDE TILE TRIM INCLUDED

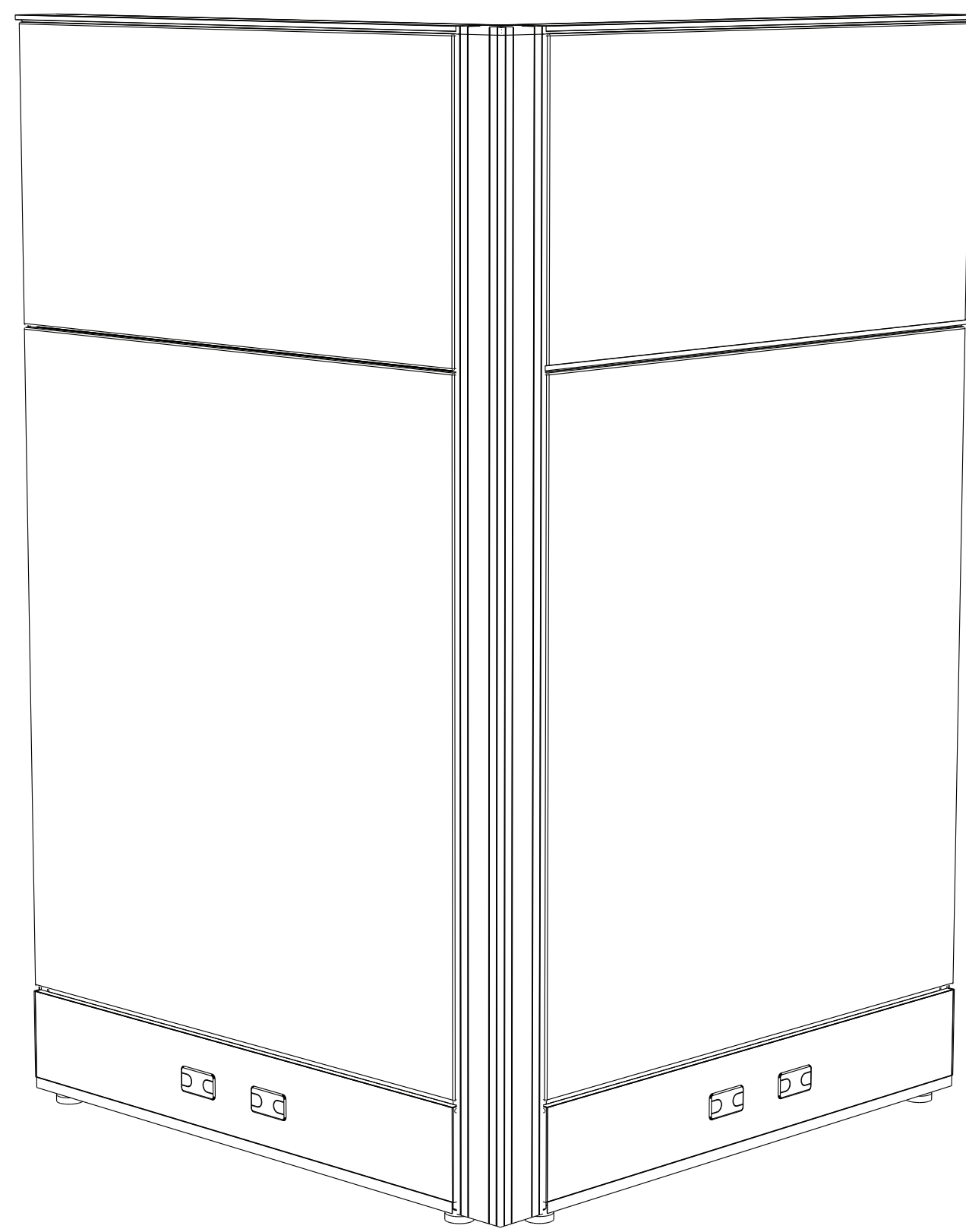
**TO ORDER, SPECIFY:**

- TYPE
- HEIGHT
- PAINT COLOR

TYPE	HEIGHT	WIDTH	PART NUMBER	LIST PRICE
2-WAY	47.25”	3.25” (SHOWN ABOVE)	X3-2WAY-47-?	\$135
3-WAY	47.25”	3.25”	X3-3WAY-47-?	\$140
4-WAY	47.25”	3.25”	X3-4WAY-47-?	\$145



## X3 CONNECTION POSTS-65"



### FEATURES:

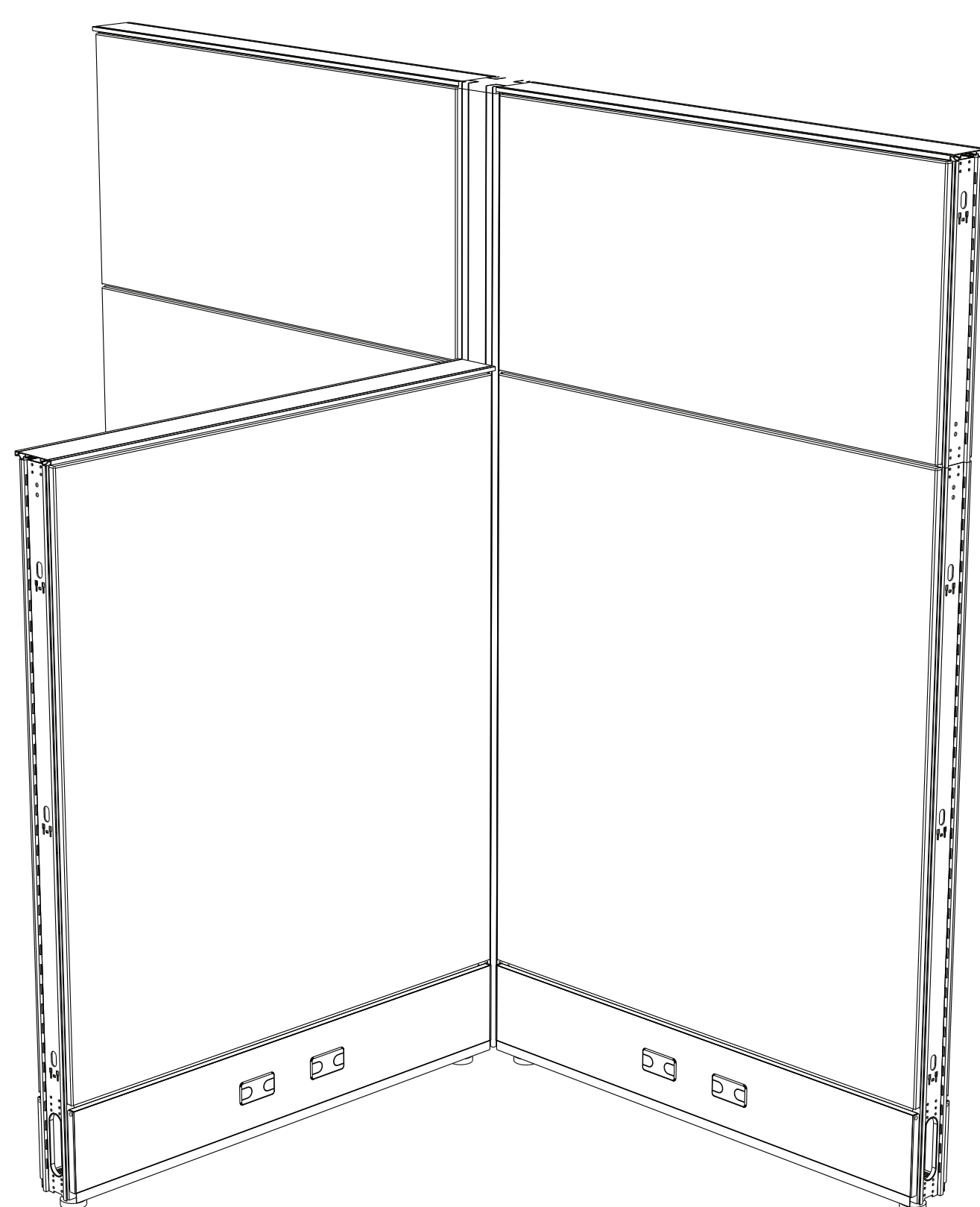
- MOUNTING HARDWARE INCLUDED
- SIDE TILE TRIM INCLUDED

### TO ORDER, SPECIFY:

- PART NUMBER
- LENGTH
- COLOR

TYPE	HEIGHT	WIDTH	PART NUMBER	LIST PRICE
2-WAY	65"	3.25" (SHOWN ABOVE)	X3-2WAY-65-?	\$185
3-WAY	65"	3.25"	X3-3WAY-65-?	\$190
4-WAY	65"	3.25"	X3-4WAY-65-?	\$195

## VARIABLE HEIGHT X3 CONNECTION POSTS-65"



### FEATURES:

- MOUNTING HARDWARE INCLUDED
- SIDE TILE TRIM INCLUDED

### TO ORDER, SPECIFY:

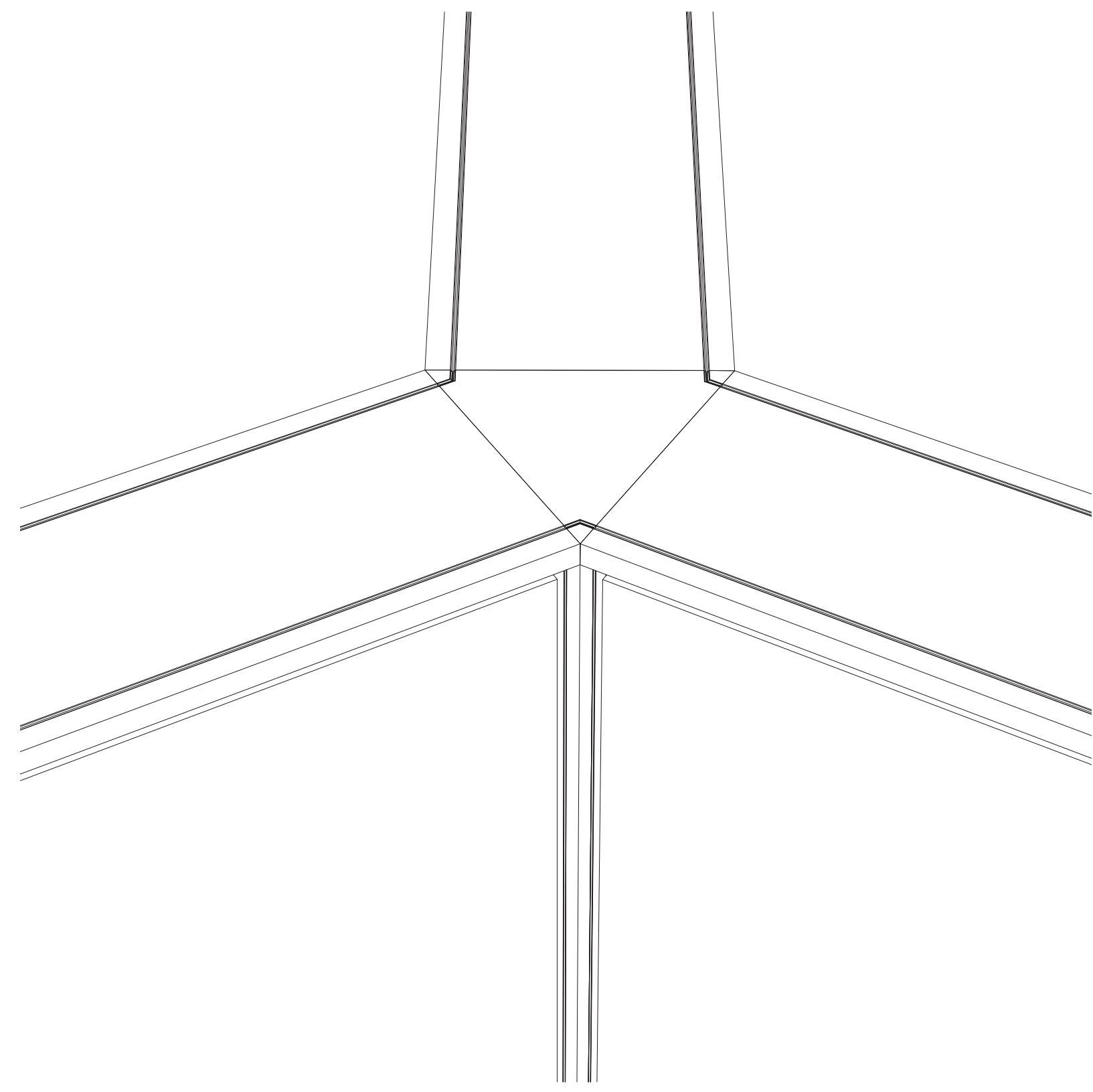
- TYPE
- HEIGHT
- PAINT COLOR

TYPE	HEIGHT	WIDTH	PART NUMBER	LIST PRICE
3-WAY	65"	3.25" (SHOWN ABOVE)	X3-3WAY-VH-65-?	\$190
4-WAY	65"	3.25"	X3-4WAY-VH-65-?	\$195





# X3 120 DEGREE CONNECTION POST



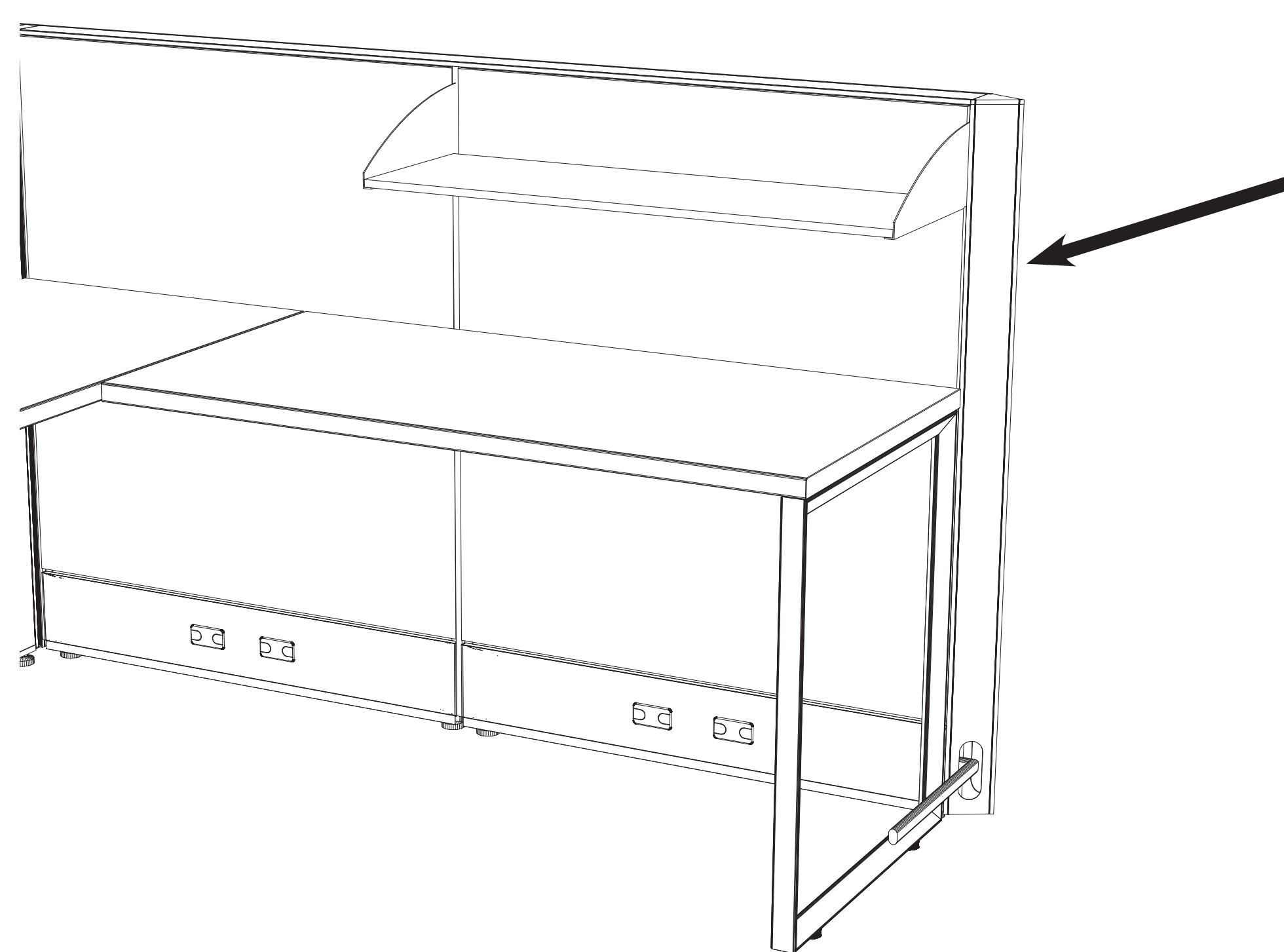
**FEATURES:**

- MOUNTING HARDWARE INCLUDED
- SIDE TILE STRIPS INCLUDED

**TO ORDER, SPECIFY:**

- TYPE
- HEIGHT
- PAINT COLOR

TYPE	HEIGHT	WIDTH	PART NUMBER	LIST PRICE
2-WAY	47.25"	3.25"	X3-120-2WAY-47-?	\$90
3-WAY	47.25"	3.25" (SHOWN ABOVE)	X3-120-3WAY-47-?	\$95
1-WAY	47.25"	3.25" (SHOWN BELOW)	X3-120-EOR-47-?	\$85

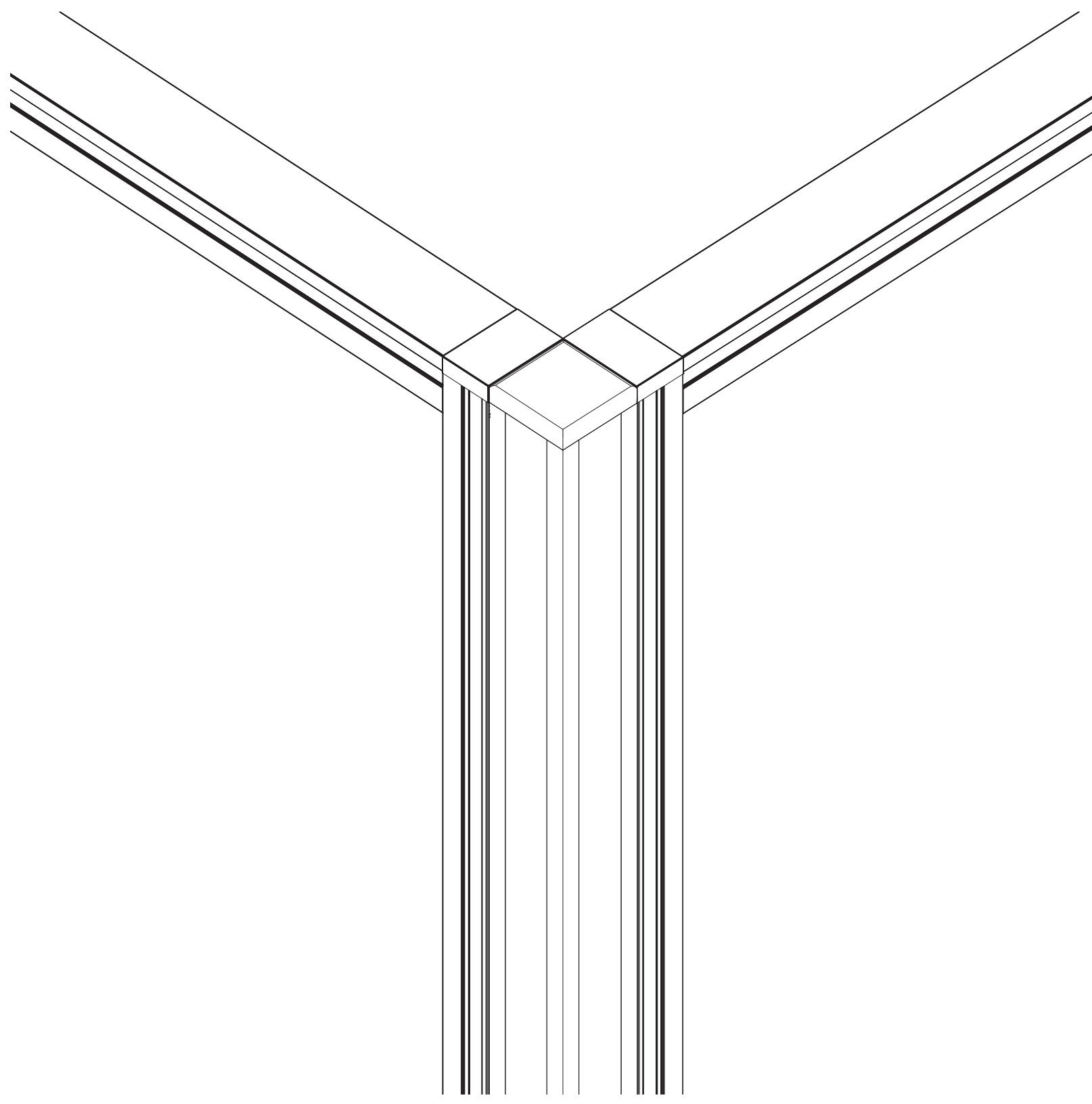


**NOTES:**

- 1-WAY 120 DEGREE POLE IS USED AT THE END OF A RUN TO BRING POWER IN OFF OF A WALL.



## X1 CONNECTION POST / 47"



### FEATURES:

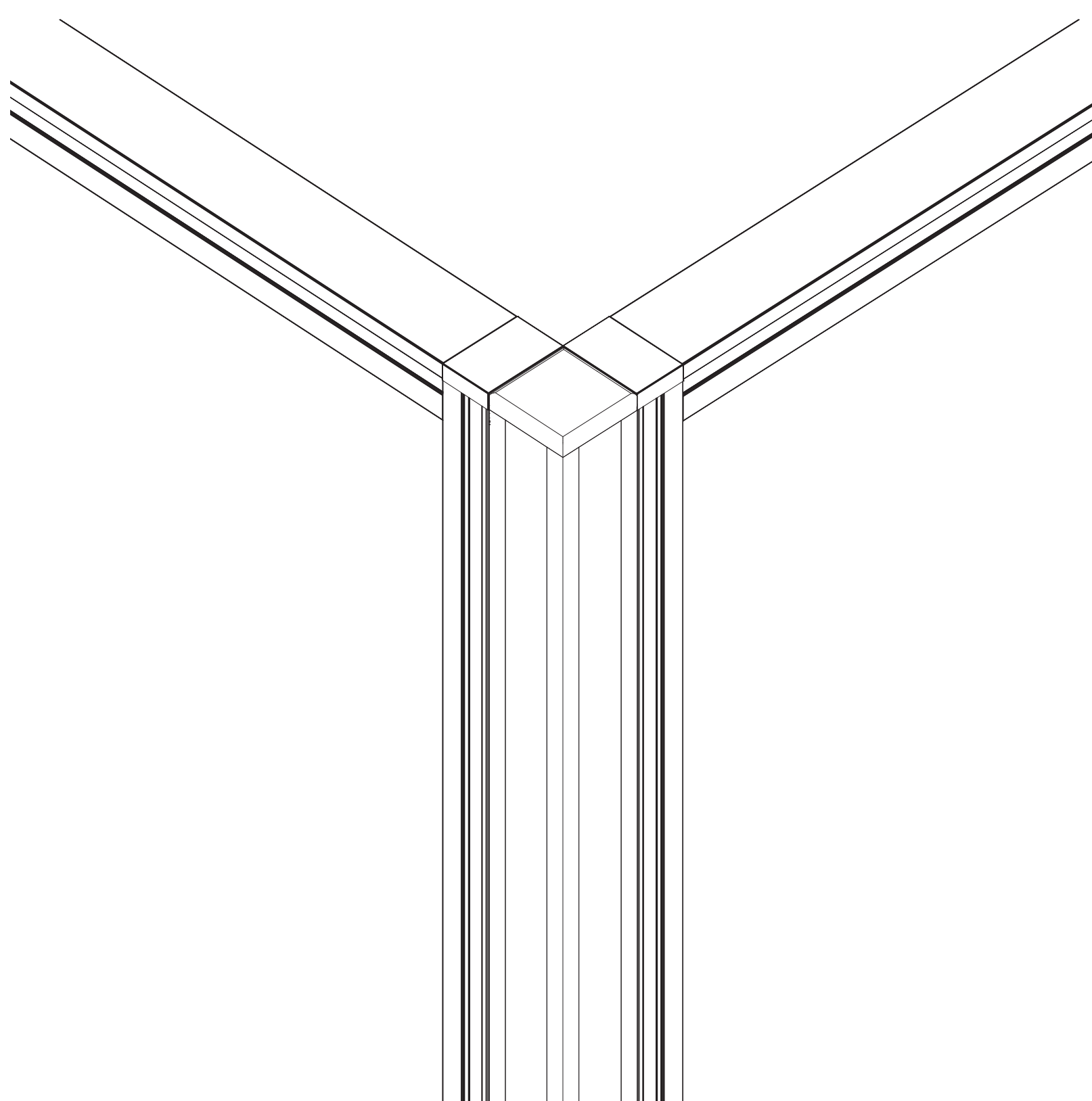
- MOUNTING HARDWARE INCLUDED
- EXTRA LOCKING BRACKET(S) INCLUDED

### TO ORDER, SPECIFY:

- TYPE
- HEIGHT
- PAINT COLOR

TYPE	HEIGHT	WIDTH	PART NUMBER	LIST PRICE
2-WAY	47.25"	1.25"	X1-2WAY-47-?	\$70
3-WAY	47.25"	1.25"	X1-3WAY-47-?	\$80
4-WAY	47.25"	1.25"	X1-4WAY-47-?	\$90

## X1 CONNECTION POST / 65"



### FEATURES:

- MOUNTING HARDWARE INCLUDED
- EXTRA LOCKING BRACKET(S) INCLUDED

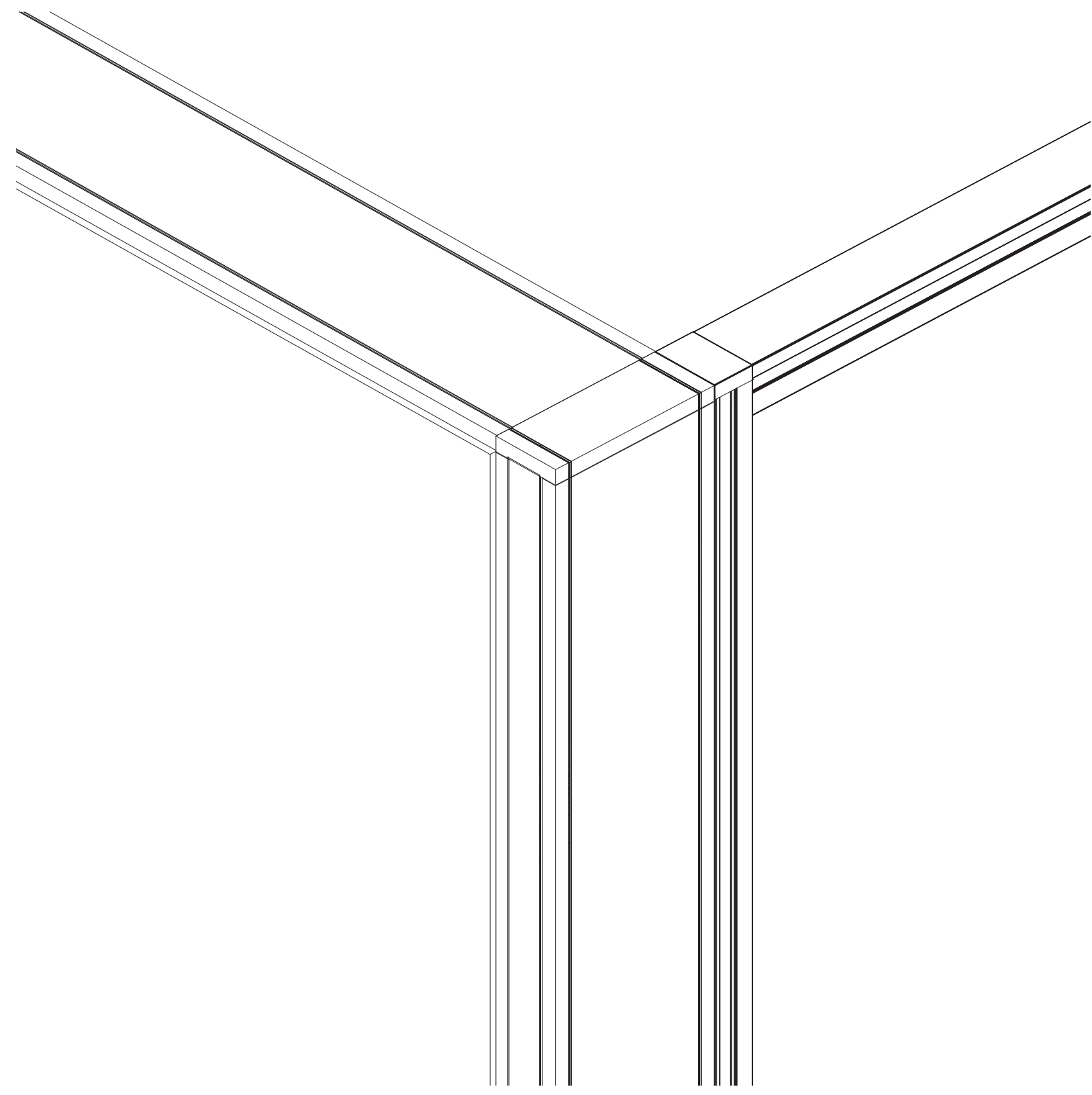
### TO ORDER, SPECIFY:

- TYPE
- HEIGHT
- PAINT COLOR

TYPE	HEIGHT	WIDTH	PART NUMBER	LIST PRICE
2-WAY	47.25"	1.25"	X1-2WAY-47-?	\$85
3-WAY	47.25"	1.25"	X1-3WAY-47-?	\$135
4-WAY	47.25"	1.25"	X1-4WAY-47-?	\$150



# X31 CONNECTION POST-47"



## FEATURES:

- MOUNTING HARDWARE INCLUDED
- CONNECTS X1 AND X3 PANELS TOGETHER

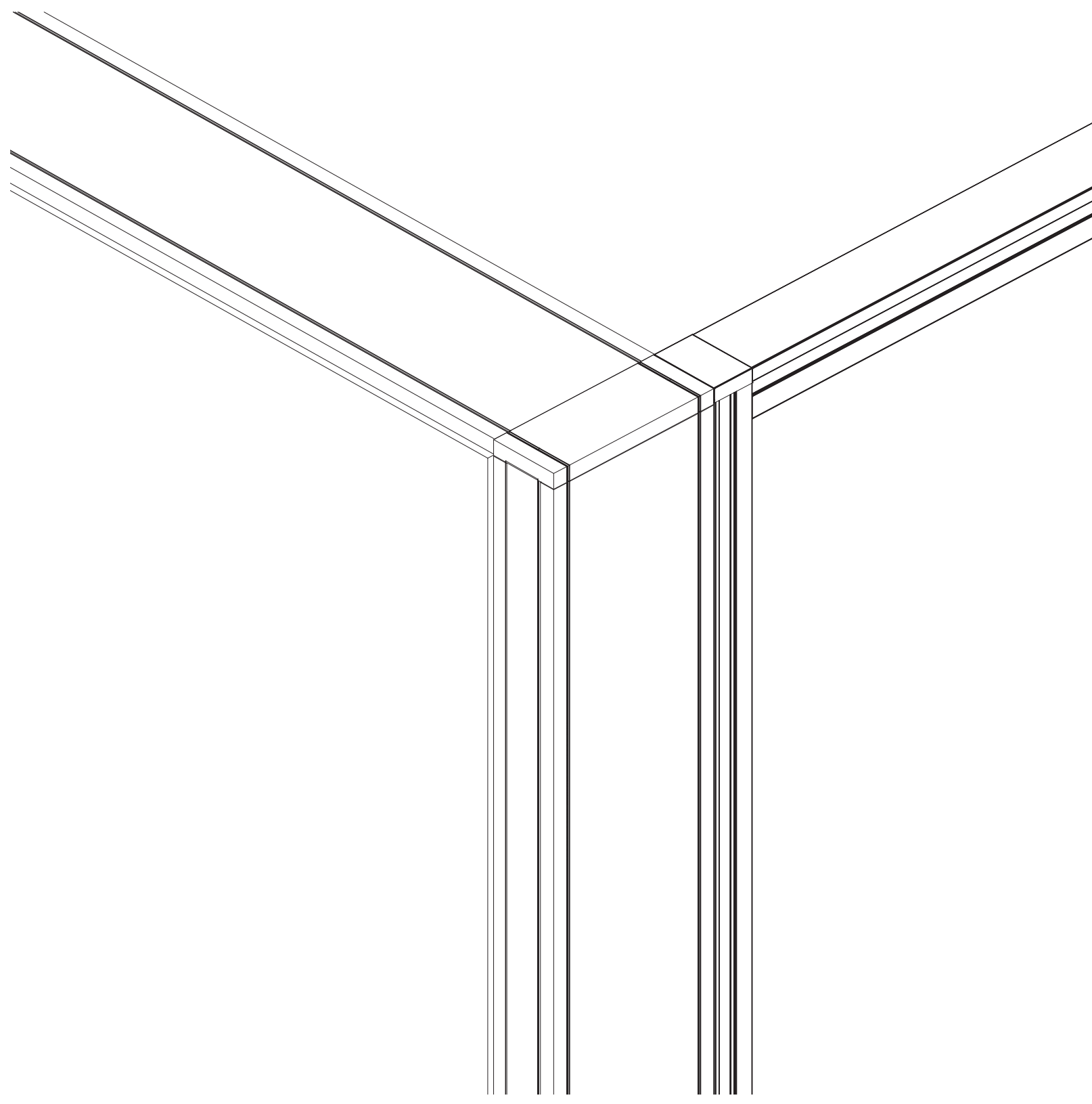
## TO ORDER, SPECIFY:

- DEPTH
- TYPE
- HEIGHT
- PAINT COLOR

TYPE	HEIGHT	WIDTH	PART NUMBER	LIST PRICE
2-WAY (LEFT)	47.25"	3.25" / 1.25" (SHOWN ABOVE)	X31-2WAY-47-L-?	\$95
2-WAY (RIGHT)	47.25"	3.25" / 1.25" (SHOWN ABOVE)	X31-2WAY-47-R-?	\$95
3-WAY	47.25"	3.25" / 1.25"	X31-3WAY-47-?	\$95
3-WAY W/ END TRIM	47.25"	3.25" / 1.25"	X31-3WAY-ET-47-?	\$95
4-WAY	47.25"	3.25" / 1.25"	X31-4WAY-47-?	\$95



## X31 CONNECTION POST-65"



### FEATURES:

- MOUNTING HARDWARE INCLUDED
- CONNECTS X1 AND X3 PANELS TOGETHER

### TO ORDER, SPECIFY:

- DEPTH
- TYPE
- HEIGHT
- PAINT COLOR

TYPE	HEIGHT	WIDTH	PART NUMBER	LIST PRICE
2-WAY (LEFT)	65"	3.25" / 1.25" (SHOWN ABOVE)	X31-2WAY-65-L-?	\$140
2-WAY (RIGHT)	65"	3.25" / 1.25" (SHOWN ABOVE)	X31-2WAY-65-R-?	\$140
3-WAY	65"	3.25" / 1.25"	X31-3WAY-65-?	\$130
3-WAY W/ END TRIM	65"	3.25" / 1.25"	X31-3WAY-ET-65-?	\$145
4-WAY	65"	3.25" / 1.25"	X31-4WAY-65-?	\$135

## X31 VARIABLE HEIGHT CONNECTION POST-65"



### FEATURES:

- MOUNTING HARDWARE INCLUDED
- CONNECTS X1 AND X3 PANELS TOGETHER

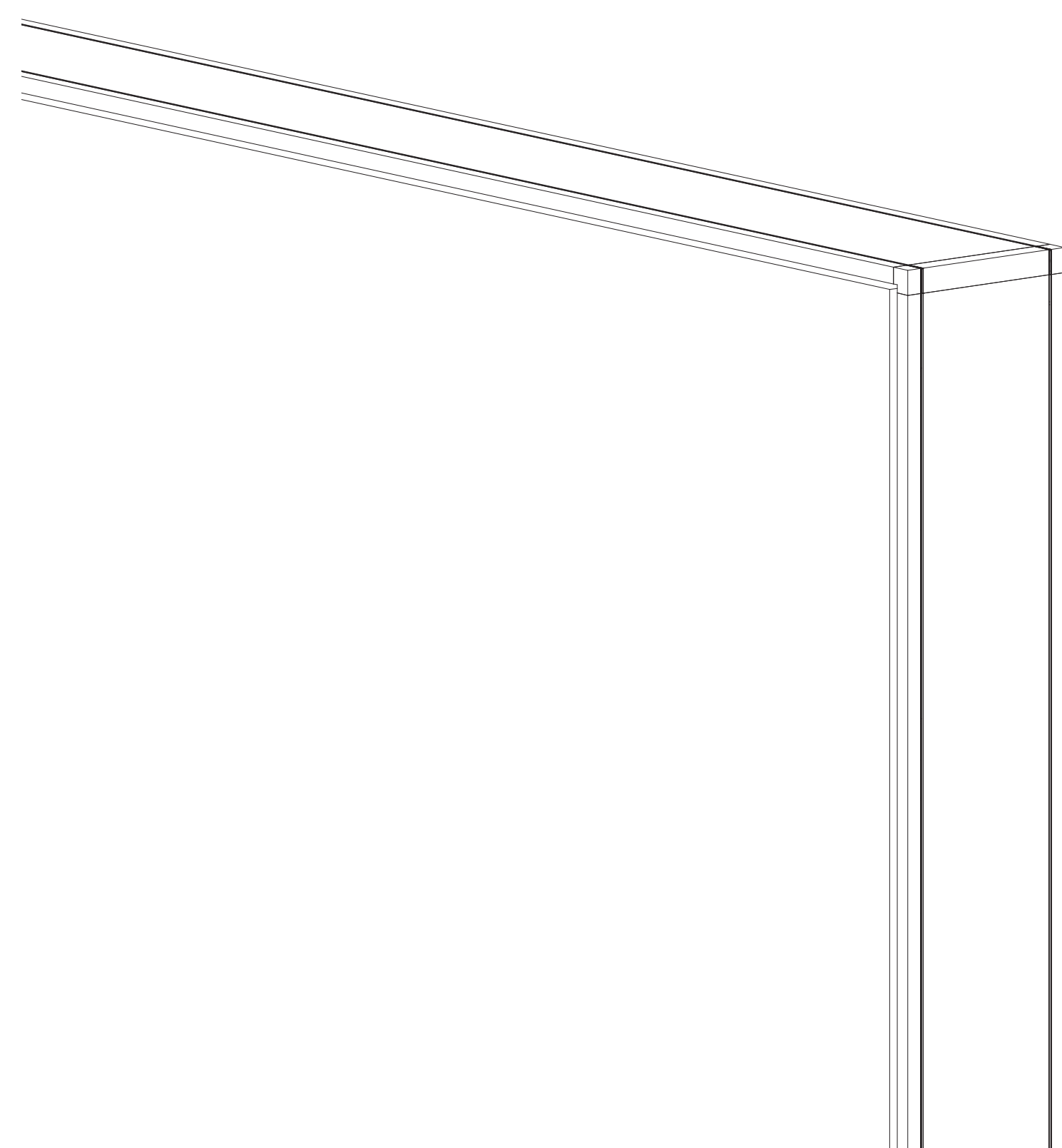
### TO ORDER, SPECIFY:

- DEPTH
- TYPE
- HEIGHT
- PAINT COLOR

TYPE	HEIGHT	WIDTH	PART NUMBER	LIST PRICE
3-WAY W/ END TRIM	65"	3.25" / 1.25" (SHOWN ABOVE)	X31-3WAY-ET-VH-65-?	\$150
4-WAY	65"	3.25" / 1.25"	X31-4WAY-VH-65-?	\$150



## X3 PANEL END TRIM



### FEATURES:

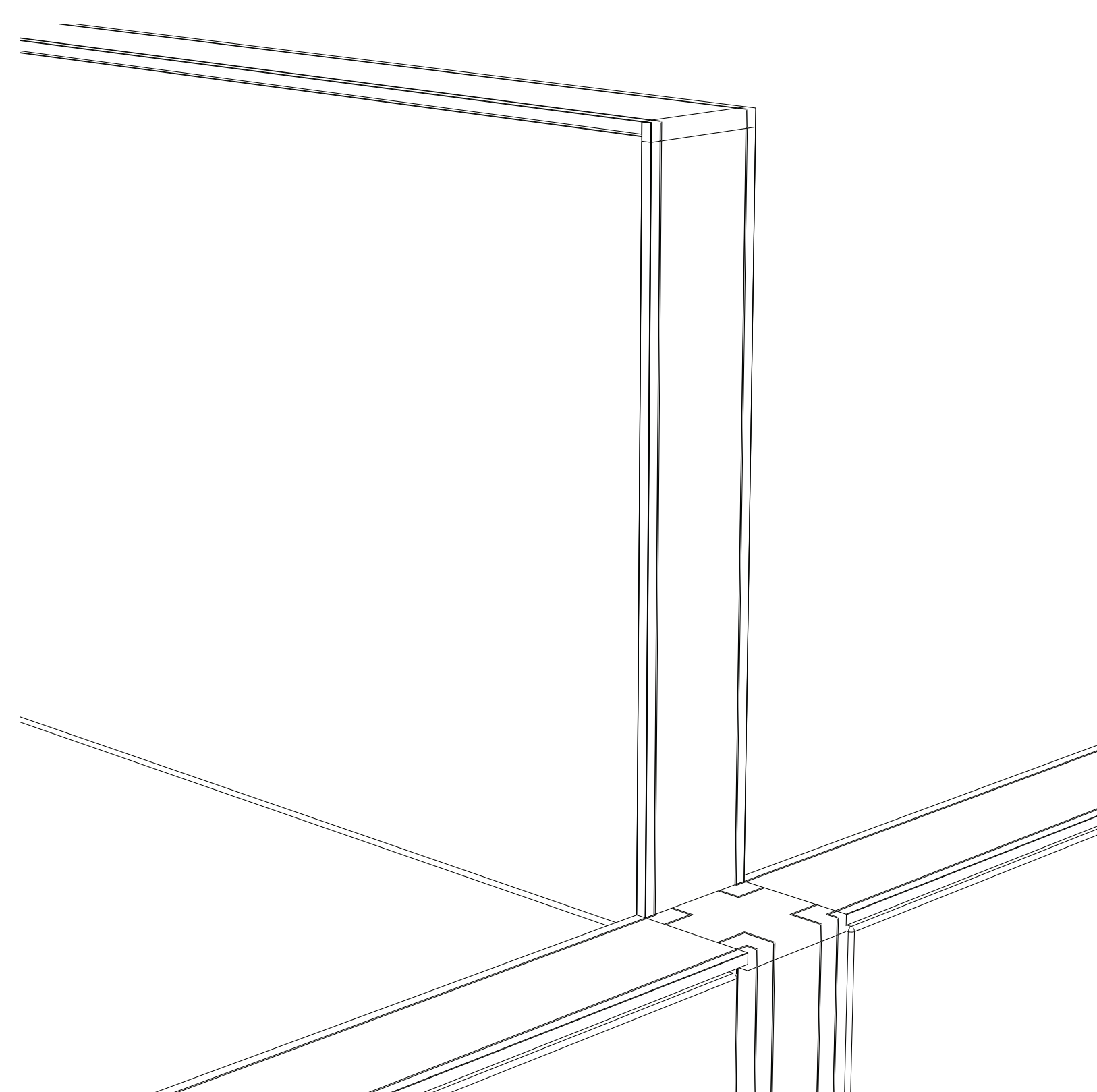
- MOUNTING HARDWARE INCLUDED

### TO ORDER, SPECIFY:

- DEPTH
- HEIGHT
- PAINT COLOR

HEIGHT	WIDTH	PART NUMBER	LIST PRICE
47.25"	3.25"	X3-ET-47-?	\$40
65"	3.25"	X3-ET-65-?	\$40

## X3 VARIABLE HEIGHT END TRIM



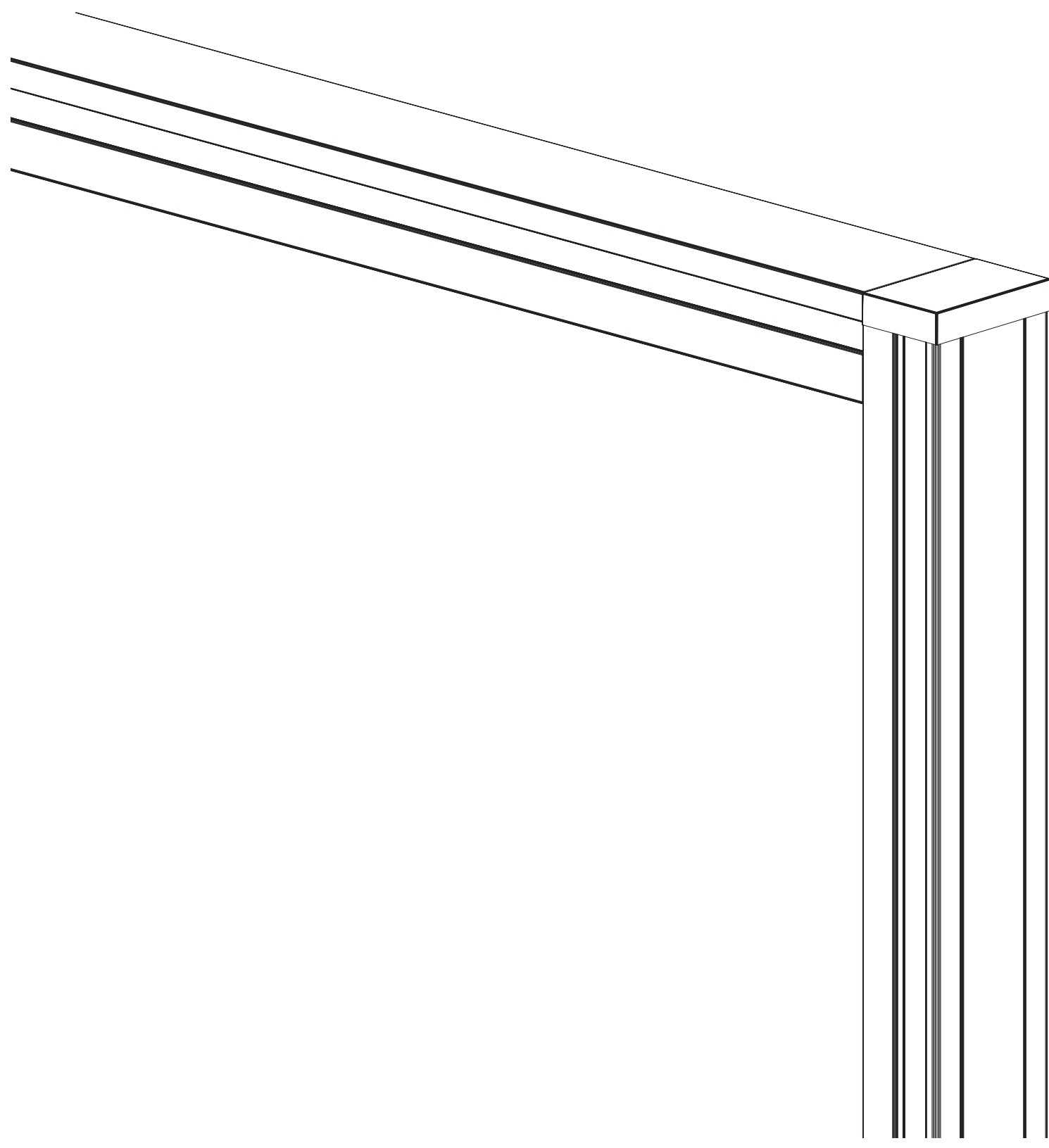
### TO ORDER, SPECIFY:

- PART NUMBER / SIZE
- PAINT COLOR

HEIGHT	WIDTH	PART NUMBER	LIST PRICE
17.75"	3.25"	X1-ET-18-?	\$15



## X1 PANEL END TRIM

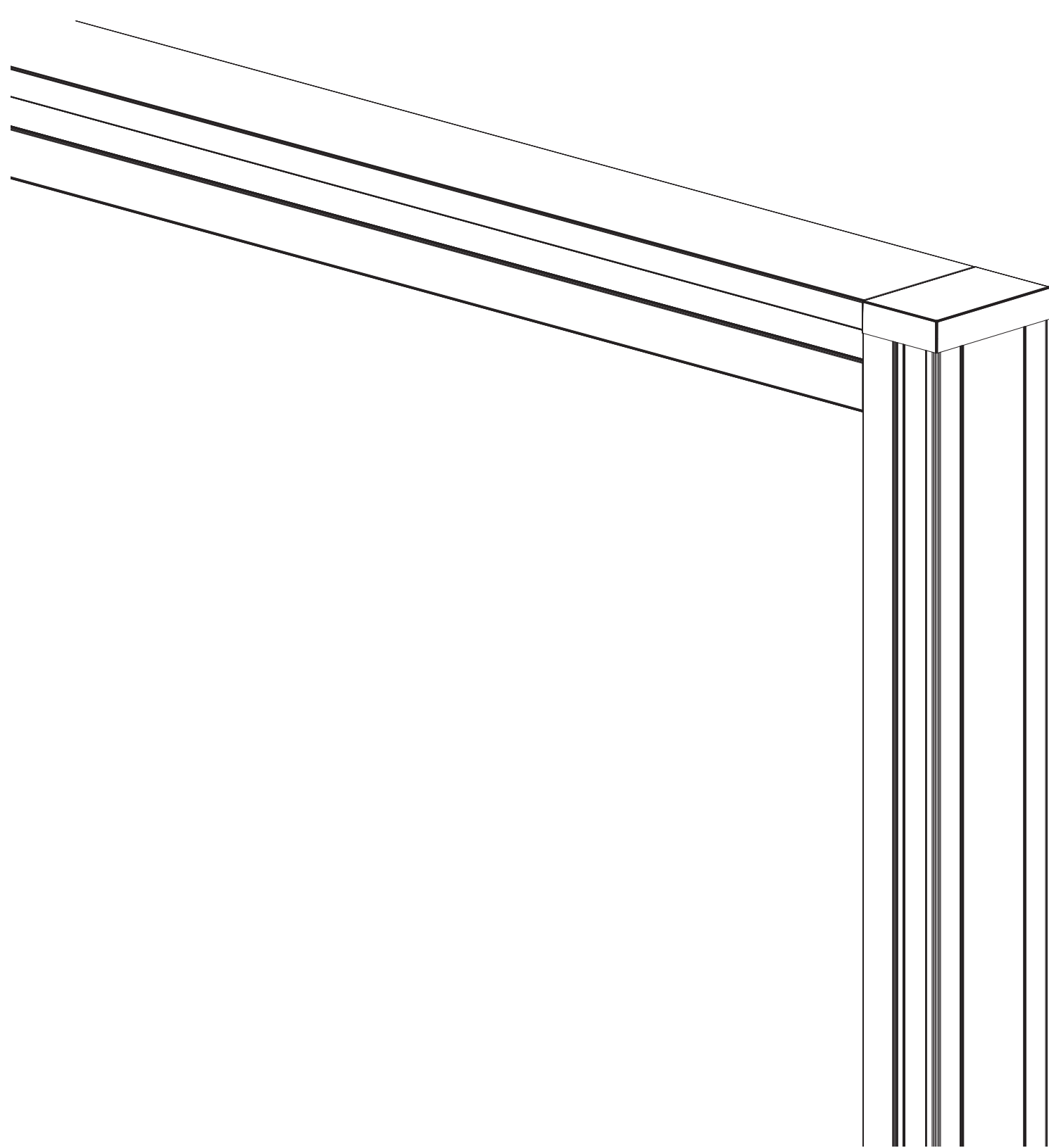


TO ORDER, SPECIFY:

- PART NUMBER / SIZE
- PAINT COLOR

HEIGHT	WIDTH	PART NUMBER	LIST PRICE
47.25"	1.25"	X1-ET-47-?	\$5
65"	1.25"	X1-ET-47-?	\$10

## X1 VARIABLE HEIGHT PANEL END TRIM



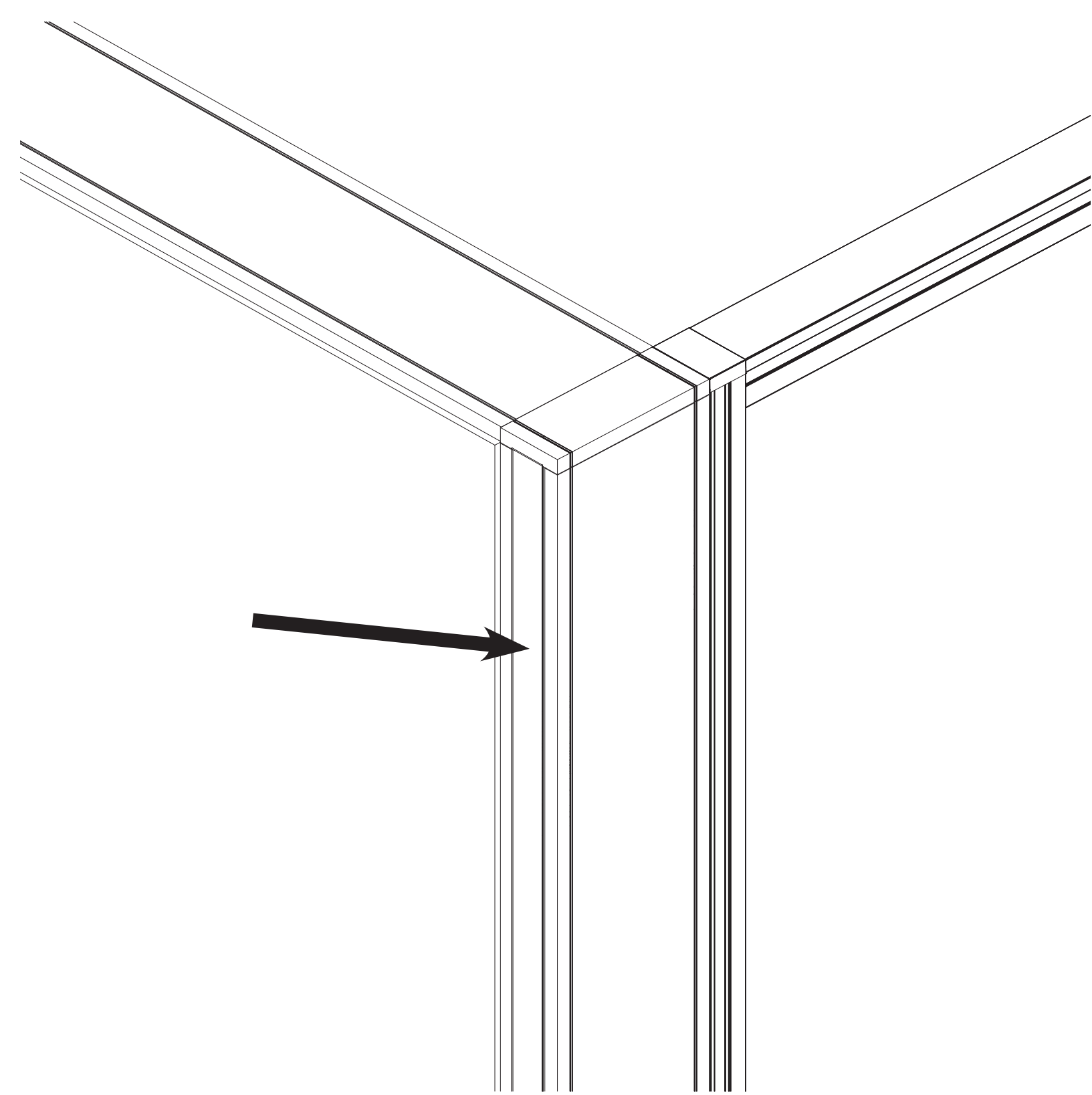
TO ORDER, SPECIFY:

- PART NUMBER / SIZE
- PAINT COLOR

HEIGHT	WIDTH	PART NUMBER	LIST PRICE
17.75"	1.25"	X1-ET-VH-18-?	\$5



## X1 / X31 POST END TRIM



**FEATURES:**

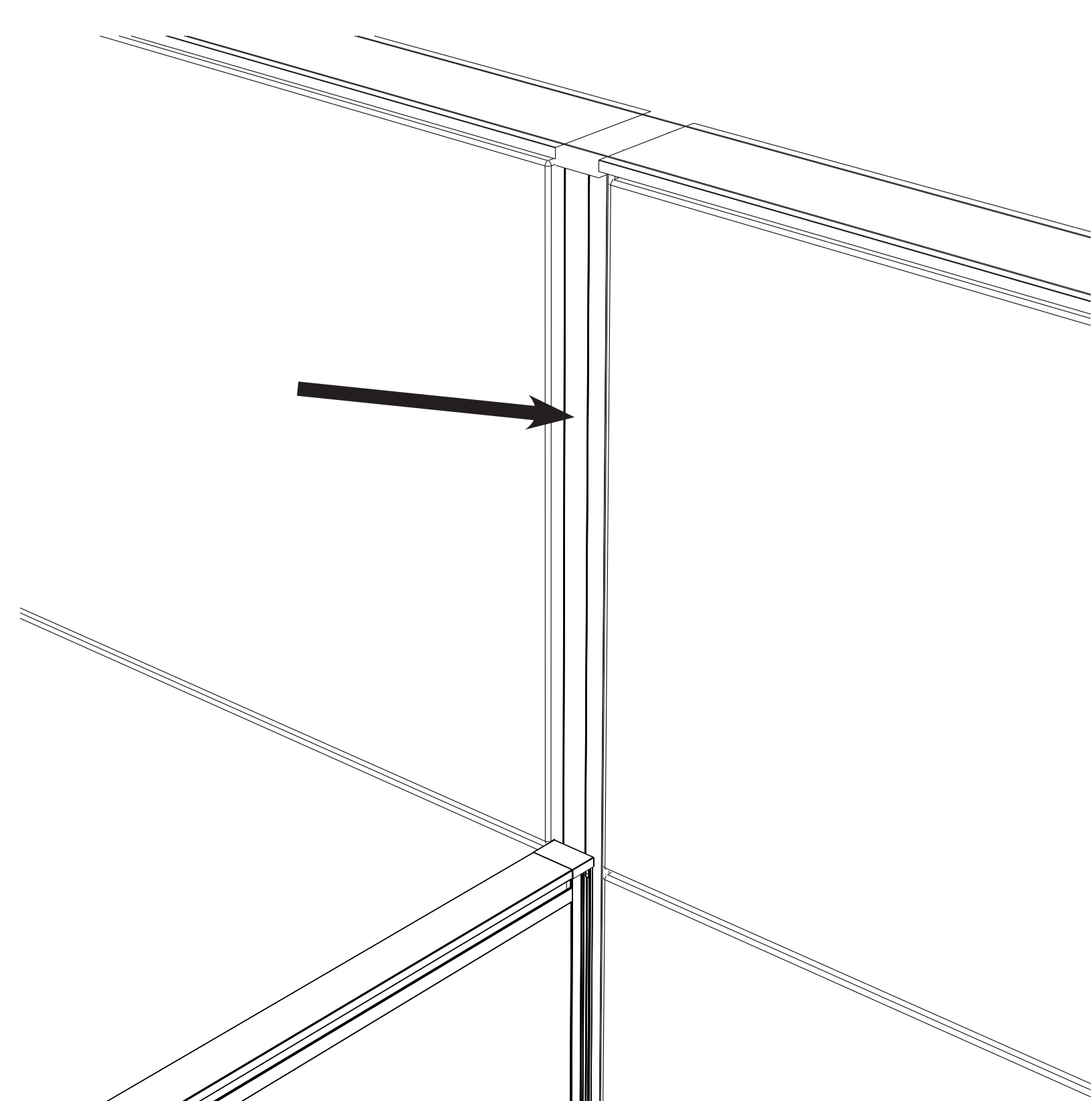
- MOUNTING HARDWARE INCLUDED

**TO ORDER, SPECIFY:**

- DEPTH
- HEIGHT
- PAINT COLOR

HEIGHT	WIDTH	PART NUMBER	LIST PRICE
47.25"	1.25"	X1-PET-47-?	\$5
65"	1.25"	X1-PET-65-?	\$10

## X1 / X31 VARIABLE HEIGHT POST END TRIM



**TO ORDER, SPECIFY:**

- PART NUMBER / SIZE
- PAINT COLOR

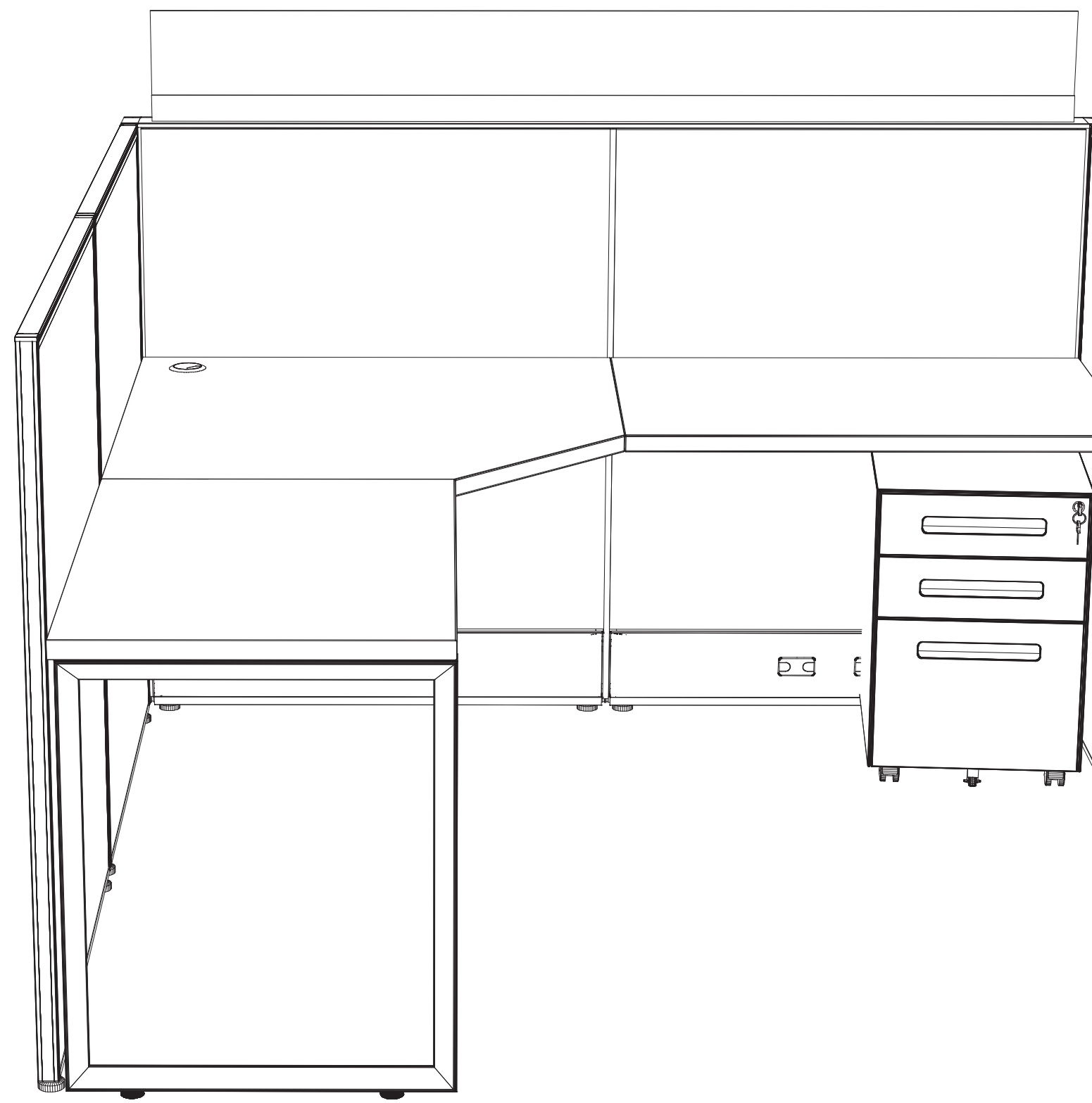
HEIGHT	WIDTH	PART NUMBER	LIST PRICE
17.75"	1.25"	X1-PET-VH-18	\$5







# 8" CLEAR FRAMELESS GLASS



## FEATURES:

- MOUNTING HARDWARE INCLUDED

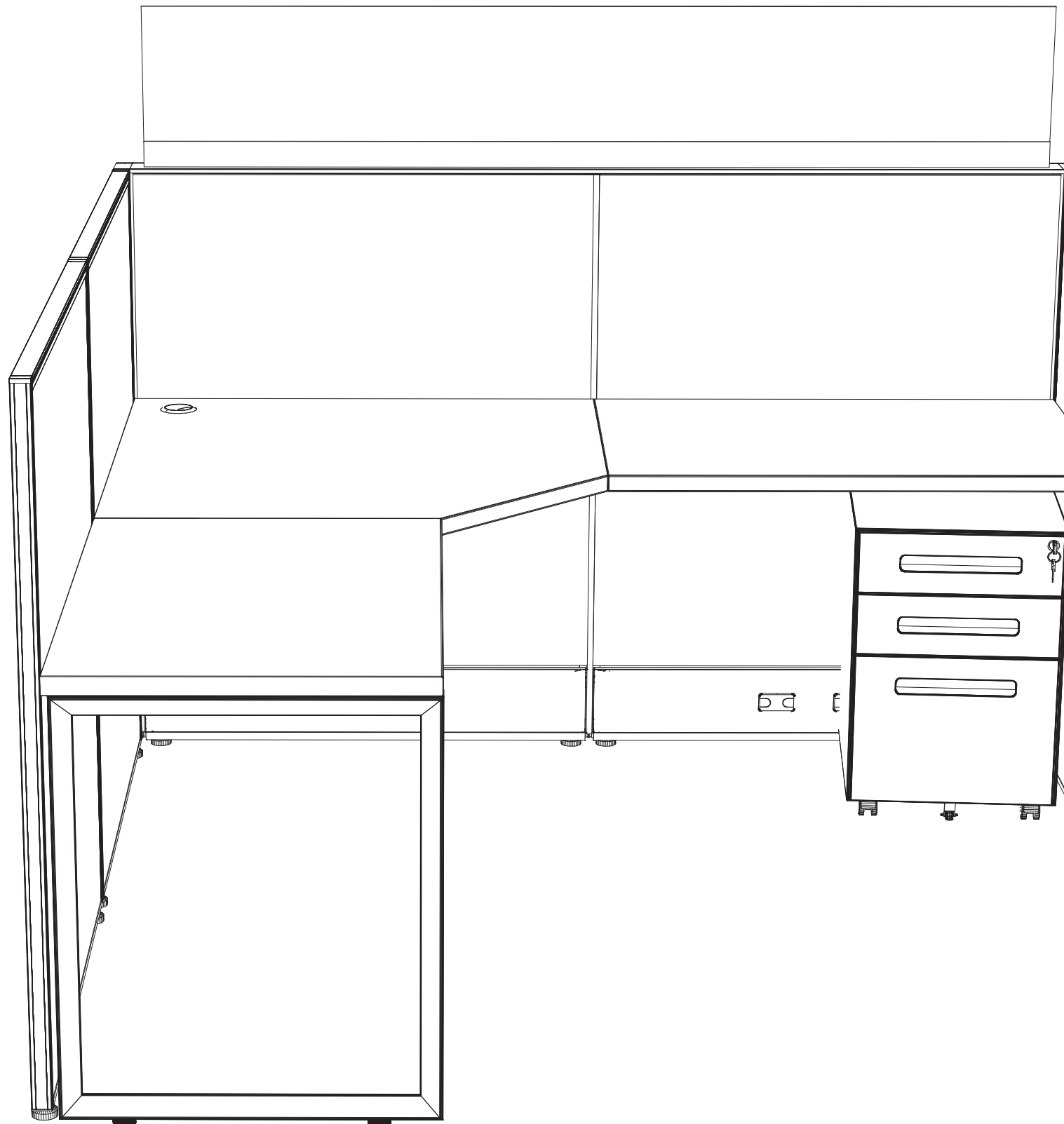
## TO ORDER, SPECIFY:

- WIDTH
- HEIGHT
- GLASS

WIDTH	HEIGHT	GLASS	PART NUMBER	LIST PRICE
22"	8"	CLEAR	X-FRMGL-24-8-C-?	\$285
28"	8"	CLEAR	X-FRMGL-30-8-C-?	\$290
34"	8"	CLEAR	X-FRMGL-36-8-C-?	\$300
40"	8"	CLEAR	X-FRMGL-42-8-C-?	\$300
46"	8"	CLEAR	X-FRMGL-48-8-C-?	\$305
58"	8"	CLEAR	X-FRMGL-60-8-C-?	370
70"	8"	CLEAR	X-FRMGL-72-8-C-?	\$440



# 12” CLEAR FRAMELESS GLASS



**FEATURES:**

- MOUNTING HARDWARE INCLUDED

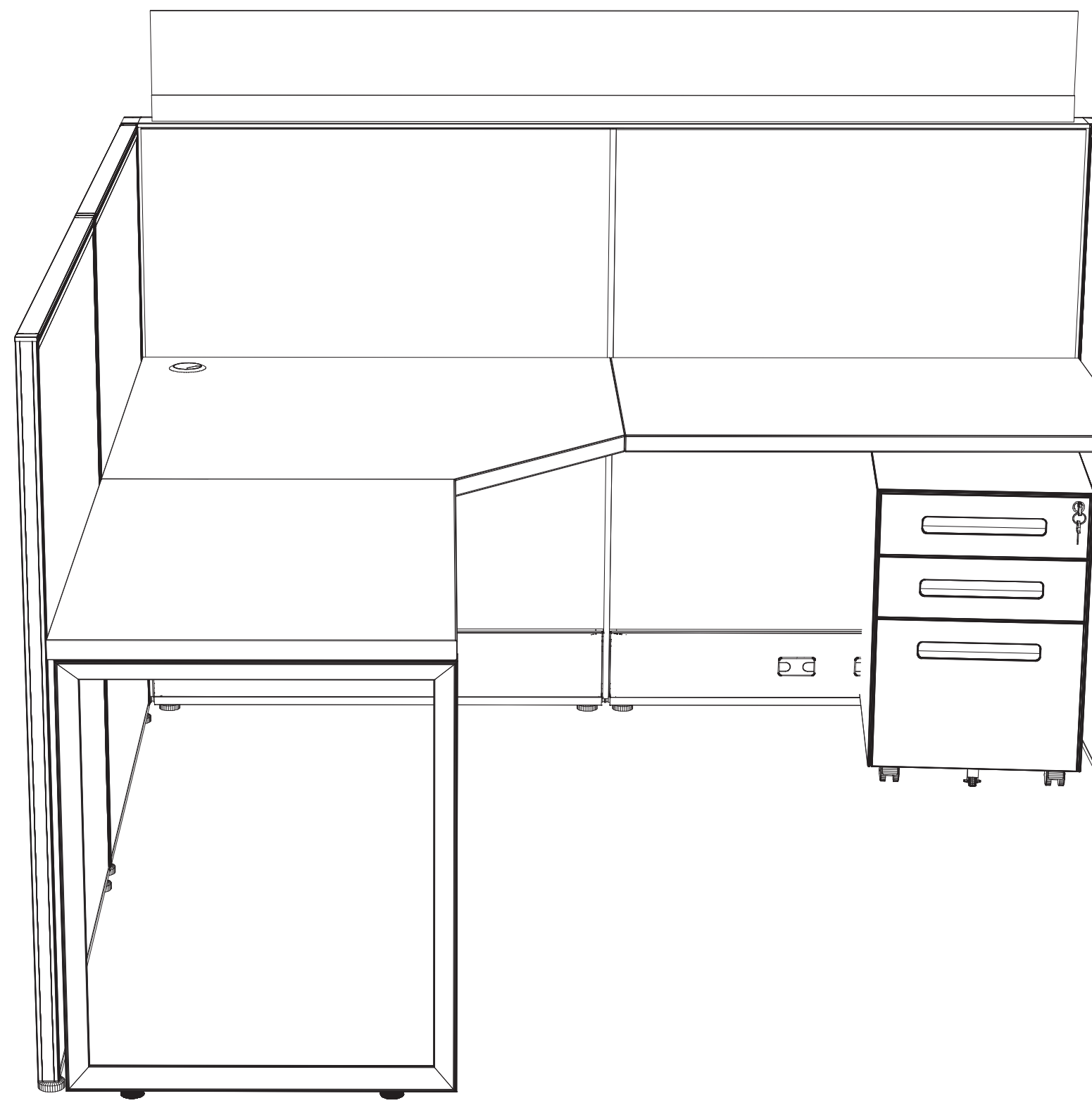
**TO ORDER, SPECIFY:**

- WIDTH
- HEIGHT
- GLASS

WIDTH	HEIGHT	GLASS	PART NUMBER	LIST PRICE
22”	12”	CLEAR	X-FRMGL-24-12-C-?	\$290
28”	12”	CLEAR	X-FRMGL-30-12-C-?	\$295
34”	12”	CLEAR	X-FRMGL-36-12-C-?	\$300
40”	12”	CLEAR	X-FRMGL-42-12-C-?	\$305
46”	12”	CLEAR	X-FRMGL-48-12-C-?	\$310
58”	12”	CLEAR	X-FRMGL-60-12-C-?	\$375
70”	12”	CLEAR	X-FRMGL-72-12-C-?	\$455



## 8" FROSTED FRAMELESS GLASS



### FEATURES:

- MOUNTING HARDWARE INCLUDED

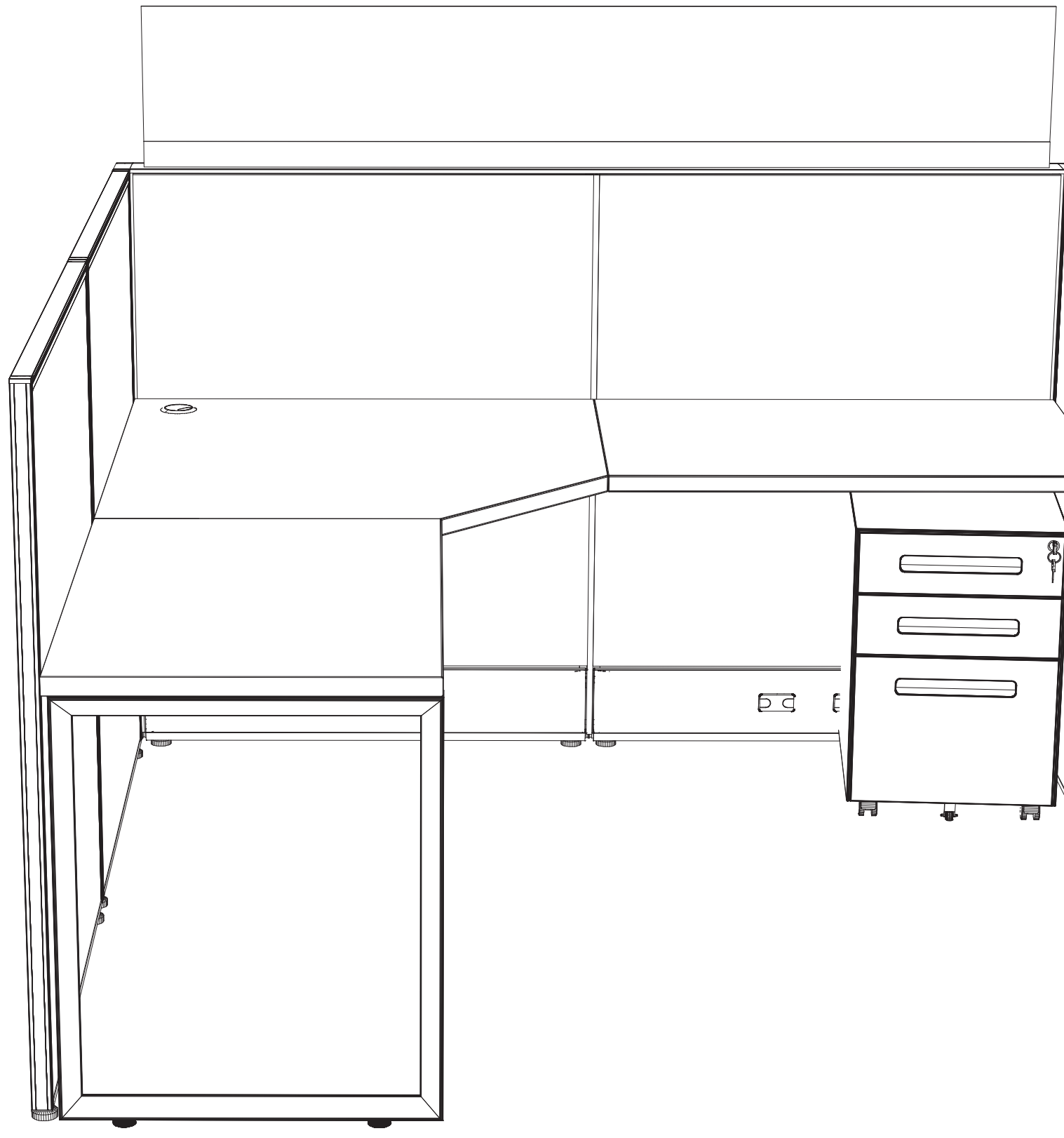
### TO ORDER, SPECIFY:

- WIDTH
- HEIGHT
- GLASS

WIDTH	HEIGHT	GLASS	PART NUMBER	LIST PRICE
22"	8"	FROSTED	X-FRMGL-24-8-F	\$365
28"	8"	FROSTED	X-FRMGL-30-8-F	\$375
34"	8"	FROSTED	X-FRMGL-36-8-F	\$385
40"	8"	FROSTED	X-FRMGL-42-8-F	\$395
46"	8"	FROSTED	X-FRMGL-48-8-F	\$415
58"	8"	FROSTED	X-FRMGL-60-8-F	\$495
70"	8"	FROSTED	X-FRMGL-72-8-F	\$600



# 12" FROSTED FRAMELESS GLASS



## FEATURES:

- MOUNTING HARDWARE INCLUDED

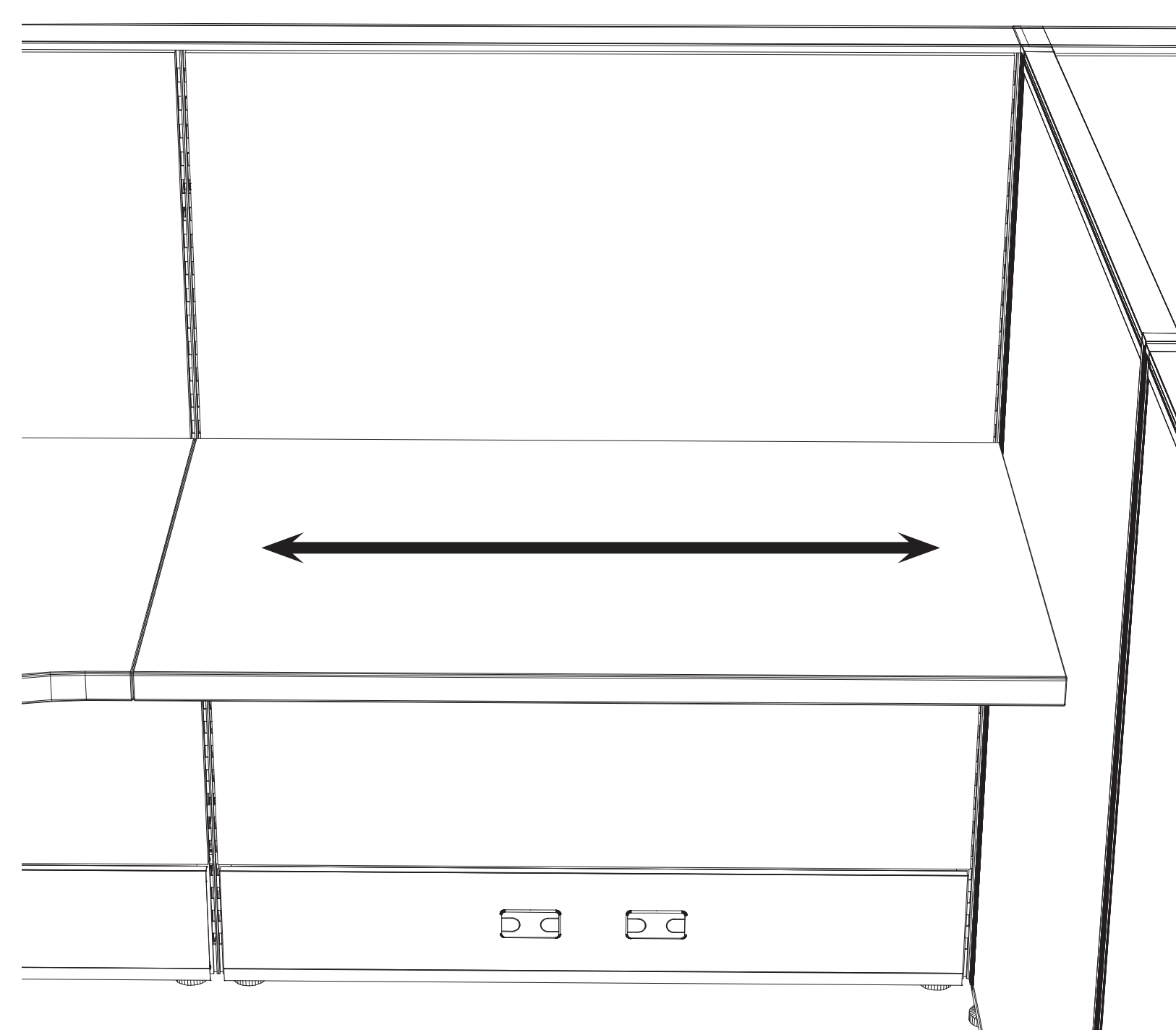
## TO ORDER, SPECIFY:

- WIDTH
- HEIGHT
- GLASS

WIDTH	HEIGHT	GLASS	PART NUMBER	LIST PRICE
22"	12"	FROSTED	X-FRMGL-24-12-F	\$370
28"	12"	FROSTED	X-FRMGL-30-12-F	\$390
34"	12"	FROSTED	X-FRMGL-36-12-F	\$425
40"	12"	FROSTED	X-FRMGL-42-12-F	\$455
46"	12"	FROSTED	X-FRMGL-48-12-F	\$490
58"	12"	FROSTED	X-FRMGL-60-12-F	\$595
70"	12"	FROSTED	X-FRMGL-72-12-F	\$725



# SURFACES: STRAIGHT



## FEATURES:

- MATCHING 3MM EDGE
- ROUND GROMMETS

## TO ORDER, SPECIFY:

- PART NUMBER
- WIDTH
- DEPTH
- LAMINATE

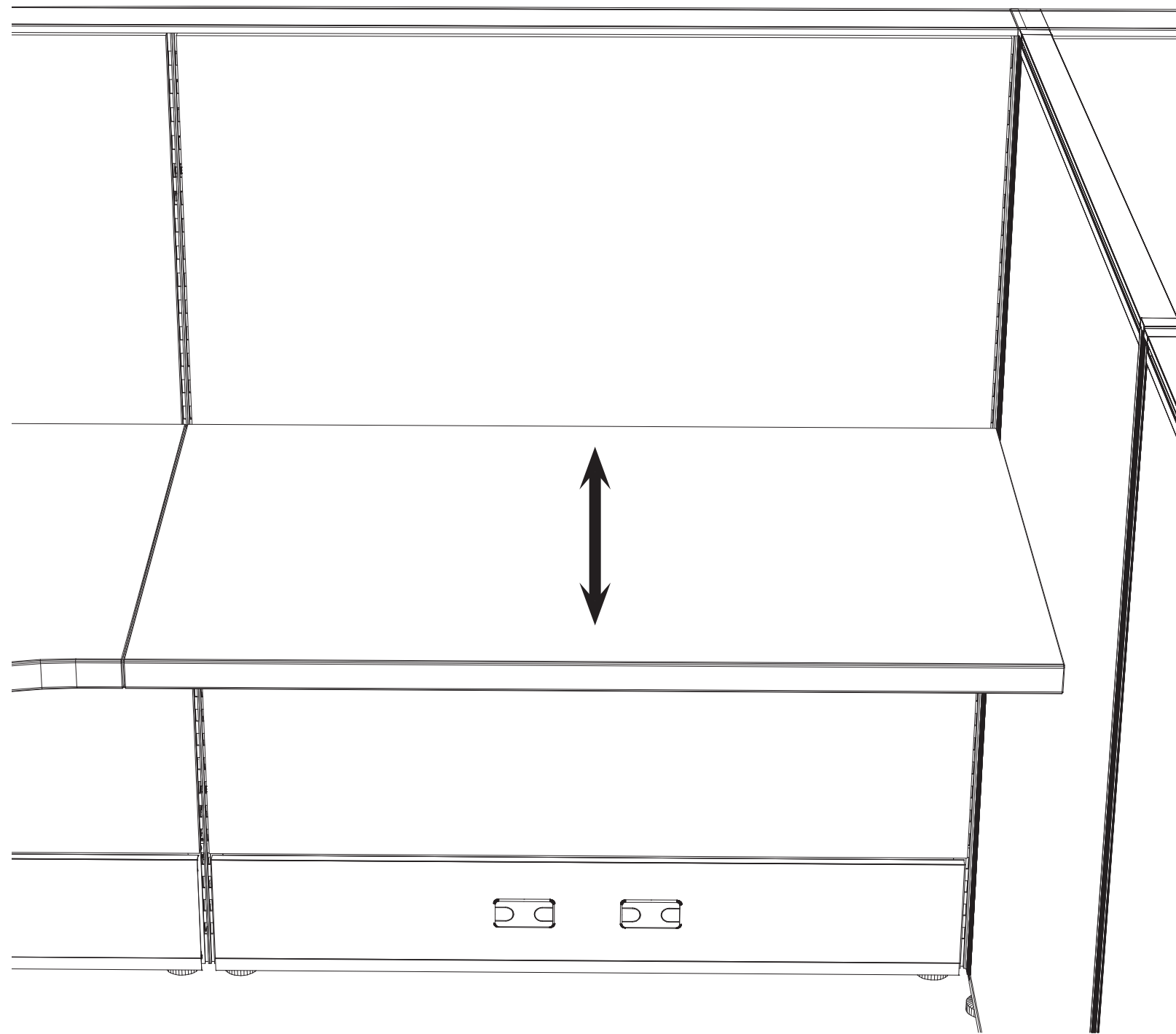
WIDTH	DEPTH	LAMINATE DIRECTION	PART NUMBER	LIST PRICE
24"	24"	LEFT TO RIGHT (SHOWN ABOVE)	X-WS-24-24	\$138
30"	24"	LEFT TO RIGHT (SHOWN ABOVE)	X-WS-30-24	\$160
36"	24"	LEFT TO RIGHT (SHOWN ABOVE)	X-WS-36-24	\$182
42"	24"	LEFT TO RIGHT (SHOWN ABOVE)	X-WS-42-24	\$209
48"	24"	LEFT TO RIGHT (SHOWN ABOVE)	X-WS-48-24	\$215
54"	24"	LEFT TO RIGHT (SHOWN ABOVE)	X-WS-54-24	\$253
60"	24"	LEFT TO RIGHT (SHOWN ABOVE)	X-WS-60-24	\$253
66"	24"	LEFT TO RIGHT (SHOWN ABOVE)	X-WS-66-24	\$352
72"	24"	LEFT TO RIGHT (SHOWN ABOVE)	X-WS-72-24	\$402
78"	24"	LEFT TO RIGHT (SHOWN ABOVE)	X-WS-78-24	\$468
84"	24"	LEFT TO RIGHT (SHOWN ABOVE)	X-WS-84-24	\$468
90"	24"	LEFT TO RIGHT (SHOWN ABOVE)	X-WS-90-24	\$468
96"	24"	LEFT TO RIGHT (SHOWN ABOVE)	X-WS-96-24	\$468

## NOTES:

- EDGE WILL BE THE SAME AS THE LAMINATE UNLESS SPECIFIED DIFFERENTLY
- SURFACE WIDTH AND DEPTH ARE 1/8" LESS THAN WHAT IS SHOWN



## SURFACES: STRAIGHT RETURN



### FEATURES:

- MATCHING 3MM EDGE
- ROUND GROMMETS

### TO ORDER, SPECIFY:

- PART NUMBER
- WIDTH
- DEPTH
- LAMINATE

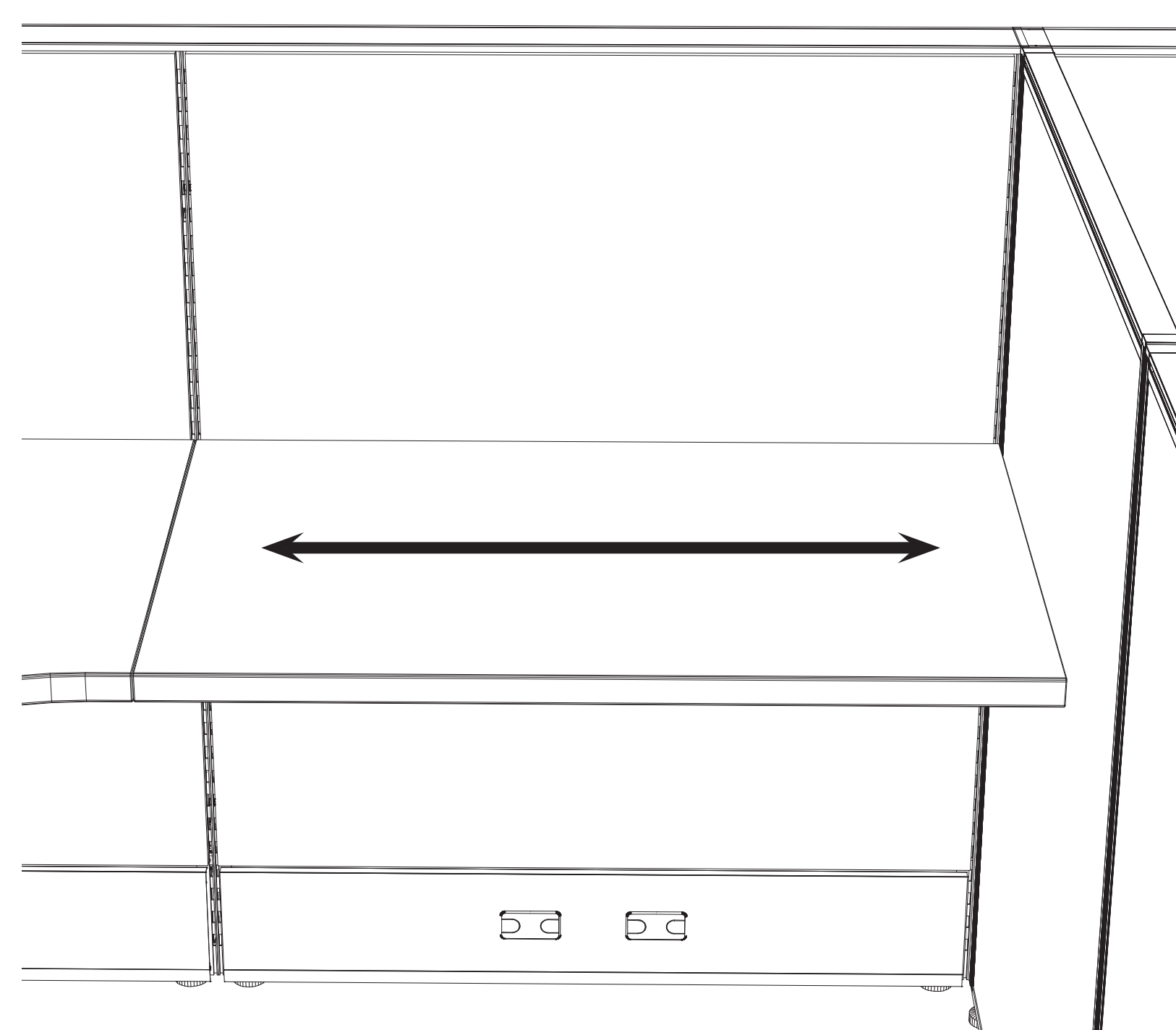
WIDTH	DEPTH	LAMINATE DIRECTION	PART NUMBER	LIST PRICE
24"	24"	FRONT TO BACK (SHOWN ABOVE)	X-WSR-24-24	\$138
30"	24"	FRONT TO BACK (SHOWN ABOVE)	X-WSR-30-24	\$160
36"	24"	FRONT TO BACK (SHOWN ABOVE)	X-WSR-36-24	\$182
42"	24"	FRONT TO BACK (SHOWN ABOVE)	X-WSR-42-24	\$209
48"	24"	FRONT TO BACK (SHOWN ABOVE)	X-WSR-48-24	\$215

### NOTES:

- EDGE WILL BE THE SAME AS THE LAMINATE UNLESS SPECIFIED DIFFERENTLY
- SURFACE WIDTH AND DEPTH ARE 1/8" LESS THAN WHAT IS SHOWN



# SURFACES: STRAIGHT



## FEATURES:

- MATCHING 3MM EDGE
- ROUND GROMMETS

## TO ORDER, SPECIFY:

- PART NUMBER
- WIDTH
- DEPTH
- LAMINATE

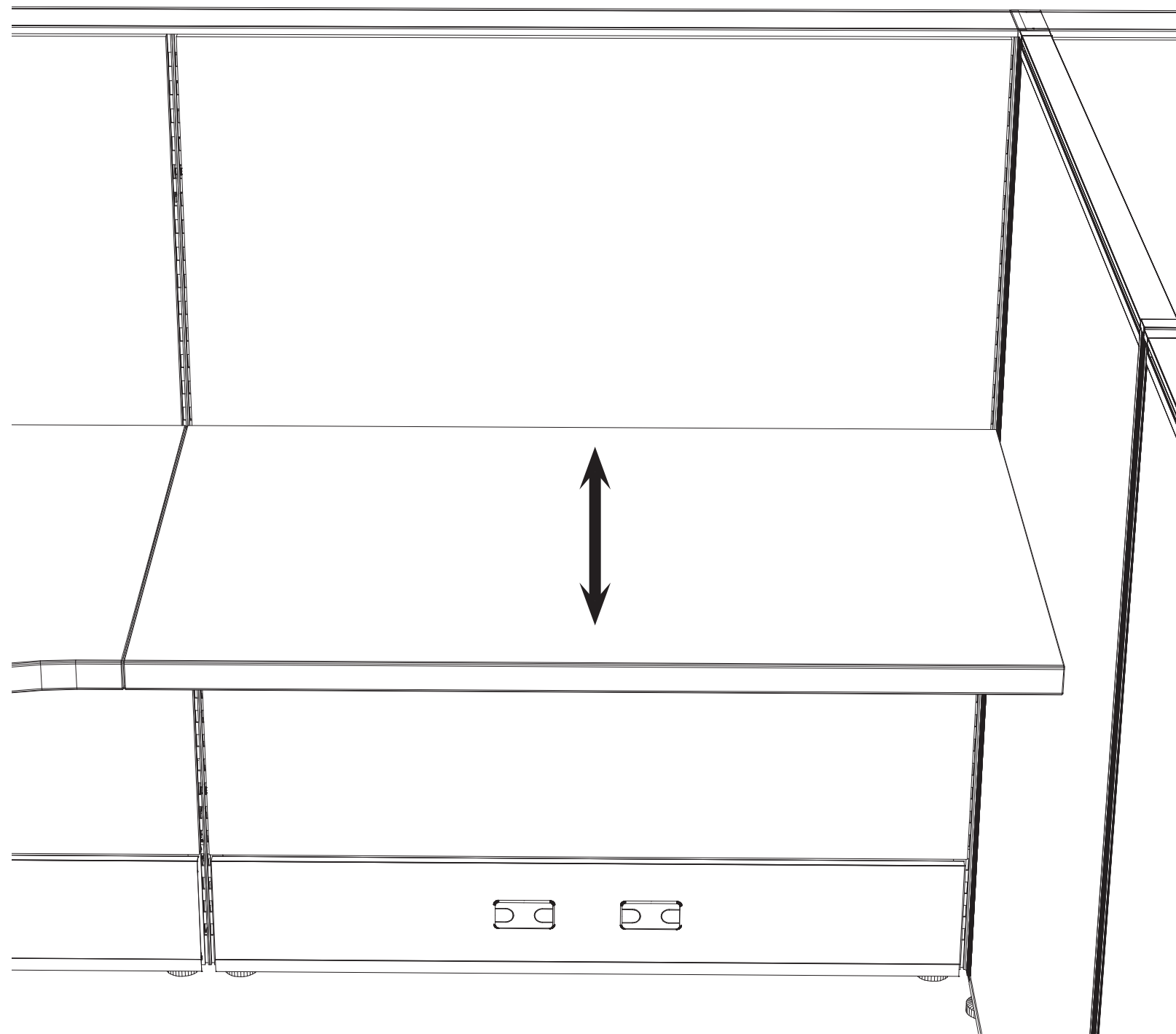
WIDTH	DEPTH	LAMINATE DIRECTION	PART NUMBER	LIST PRICE
24"	30"	LEFT TO RIGHT (SHOWN ABOVE)	X-WS-24-30	\$193
30"	30"	LEFT TO RIGHT (SHOWN ABOVE)	X-WS-30-30	\$209
36"	30"	LEFT TO RIGHT (SHOWN ABOVE)	X-WS-36-30	\$226
42"	30"	LEFT TO RIGHT (SHOWN ABOVE)	X-WS-42-30	\$253
48"	30"	LEFT TO RIGHT (SHOWN ABOVE)	X-WS-48-30	\$281
54"	30"	LEFT TO RIGHT (SHOWN ABOVE)	X-WS-54-30	\$336
60"	30"	LEFT TO RIGHT (SHOWN ABOVE)	X-WS-60-30	\$336
66"	30"	LEFT TO RIGHT (SHOWN ABOVE)	X-WS-66-30	\$388
72"	30"	LEFT TO RIGHT (SHOWN ABOVE)	X-WS-72-30	\$418
78"	30"	LEFT TO RIGHT (SHOWN ABOVE)	X-WS-78-30	\$484
84"	30"	LEFT TO RIGHT (SHOWN ABOVE)	X-WS-84-30	\$484
90"	30"	LEFT TO RIGHT (SHOWN ABOVE)	X-WS-90-30	\$484
96"	30"	LEFT TO RIGHT (SHOWN ABOVE)	X-WS-96-30	\$484

## NOTES:

- EDGE WILL BE THE SAME AS THE LAMINATE UNLESS SPECIFIED DIFFERENTLY
- SURFACE WIDTH AND DEPTH ARE 1/8" LESS THAN WHAT IS SHOWN



## SURFACES: STRAIGHT RETURN



### FEATURES:

- MATCHING 3MM EDGE
- ROUND GROMMETS

### TO ORDER, SPECIFY:

- PART NUMBER
- WIDTH
- DEPTH
- LAMINATE

WIDTH	DEPTH	LAMINATE DIRECTION	PART NUMBER	LIST PRICE
24"	30"	FRONT TO BACK (SHOWN ABOVE)	X-WSR-24-30	\$193
30"	30"	FRONT TO BACK (SHOWN ABOVE)	X-WSR-30-30	\$209
36"	30"	FRONT TO BACK (SHOWN ABOVE)	X-WSR-36-30	\$226
42"	30"	FRONT TO BACK (SHOWN ABOVE)	X-WSR-42-30	\$253
48"	30"	FRONT TO BACK (SHOWN ABOVE)	X-WSR-48-30	\$281

### NOTES:

- EDGE WILL BE THE SAME AS THE LAMINATE UNLESS SPECIFIED DIFFERENTLY
- SURFACE WIDTH AND DEPTH ARE 1/8" LESS THAN WHAT IS SHOWN





## SURFACES: STRAIGHT W/ GROMMET



### FEATURES:

- MATCHING 3MM EDGE
- ROUND GROMMETS

### TO ORDER, SPECIFY:

- PART NUMBER
- WIDTH
- DEPTH
- GROMMET LOCATION
- LAMINATE

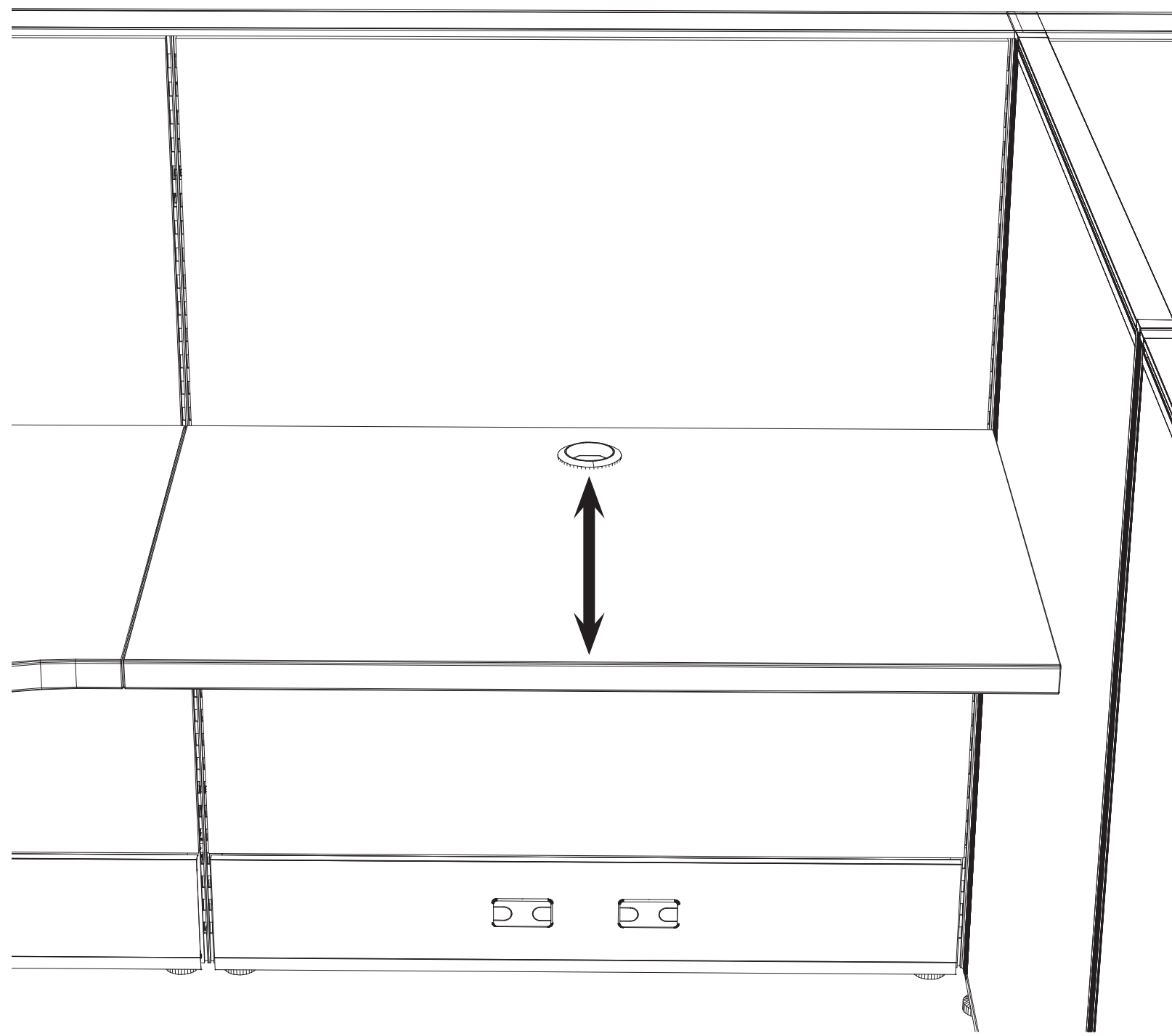
WIDTH	DEPTH	GROMMET LOCATION	LAMINATE DIRECTION	PART NUMBER	LIST PRICE
24"	24"	RIGHT (R) LEFT (L) CENTER (C)	LEFT TO RIGHT (SHOWN ABOVE)	X-WSG-24-24-?	\$212
30"	24"	RIGHT (R) LEFT (L) CENTER (C)	LEFT TO RIGHT (SHOWN ABOVE)	X-WSG-30-24-?	\$212
36"	24"	RIGHT (R) LEFT (L) CENTER (C)	LEFT TO RIGHT (SHOWN ABOVE)	X-WSG-36-24-?	\$212
42"	24"	RIGHT (R) LEFT (L) CENTER (C)	LEFT TO RIGHT (SHOWN ABOVE)	X-WSG-42-24-?	\$239
48"	24"	RIGHT (R) LEFT (L) CENTER (C)	LEFT TO RIGHT (SHOWN ABOVE)	X-WSG-48-24-?	\$245
54"	24"	RIGHT (R) LEFT (L) CENTER (C)	LEFT TO RIGHT (SHOWN ABOVE)	X-WSG-54-24-?	\$283
60"	24"	RIGHT (R) LEFT (L) CENTER (C)	LEFT TO RIGHT (SHOWN ABOVE)	X-WSG-60-24-?	\$283
66"	24"	RIGHT (R) LEFT (L) CENTER (C)	LEFT TO RIGHT (SHOWN ABOVE)	X-WSG-66-24-?	\$382
72"	24"	RIGHT (R) LEFT (L) CENTER (C)	LEFT TO RIGHT (SHOWN ABOVE)	X-WSG-72-24-?	\$432
78"	24"	RIGHT (R) LEFT (L) CENTER (C)	LEFT TO RIGHT (SHOWN ABOVE)	X-WSG-78-24-?	\$498
84"	24"	RIGHT (R) LEFT (L) CENTER (C)	LEFT TO RIGHT (SHOWN ABOVE)	X-WSG-84-24-?	\$498
90"	24"	RIGHT (R) LEFT (L) CENTER (C)	LEFT TO RIGHT (SHOWN ABOVE)	X-WSG-90-24-?	\$498
96"	24"	RIGHT (R) LEFT (L) CENTER (C)	LEFT TO RIGHT (SHOWN ABOVE)	X-WSG-96-24-?	\$498

### NOTES:

- EDGE WILL BE THE SAME AS THE LAMINATE UNLESS SPECIFIED DIFFERENTLY
- SURFACE WIDTH AND DEPTH ARE 1/8" LESS THAN WHAT IS SHOWN



## SURFACES: STRAIGHT RETURN W/ GROMMET



### FEATURES:

- MATCHING 3MM EDGE
- ROUND GROMMETS

### TO ORDER, SPECIFY:

- PART NUMBER
- WIDTH
- DEPTH
- GROMMET LOCATION
- LAMINATE

WIDTH	DEPTH	GROMMET LOCATION	LAMINATE DIRECTION	PART NUMBER	LIST PRICE
24"	24"	RIGHT (R) LEFT (L) CENTER (C)	FRONT TO BACK (SHOWN ABOVE)	X-WSGR-24-24-?	\$212
30"	24"	RIGHT (R) LEFT (L) CENTER (C)	FRONT TO BACK (SHOWN ABOVE)	X-WSGR-30-24-?	\$212
36"	24"	RIGHT (R) LEFT (L) CENTER (C)	FRONT TO BACK (SHOWN ABOVE)	X-WSGR-36-24-?	\$212
42"	24"	RIGHT (R) LEFT (L) CENTER (C)	FRONT TO BACK (SHOWN ABOVE)	X-WSGR-42-24-?	\$239
48"	24"	RIGHT (R) LEFT (L) CENTER (C)	FRONT TO BACK (SHOWN ABOVE)	X-WSGR-48-24-?	\$245

### NOTES:

- EDGE WILL BE THE SAME AS THE LAMINATE UNLESS SPECIFIED DIFFERENTLY
- SURFACE WIDTH AND DEPTH ARE 1/8" LESS THAN WHAT IS SHOWN



## SURFACES: STRAIGHT W/ GROMMET



### FEATURES:

- MATCHING 3MM EDGE
- ROUND GROMMETS

### TO ORDER, SPECIFY:

- PART NUMBER
- WIDTH
- DEPTH
- GROMMET LOCATION
- LAMINATE

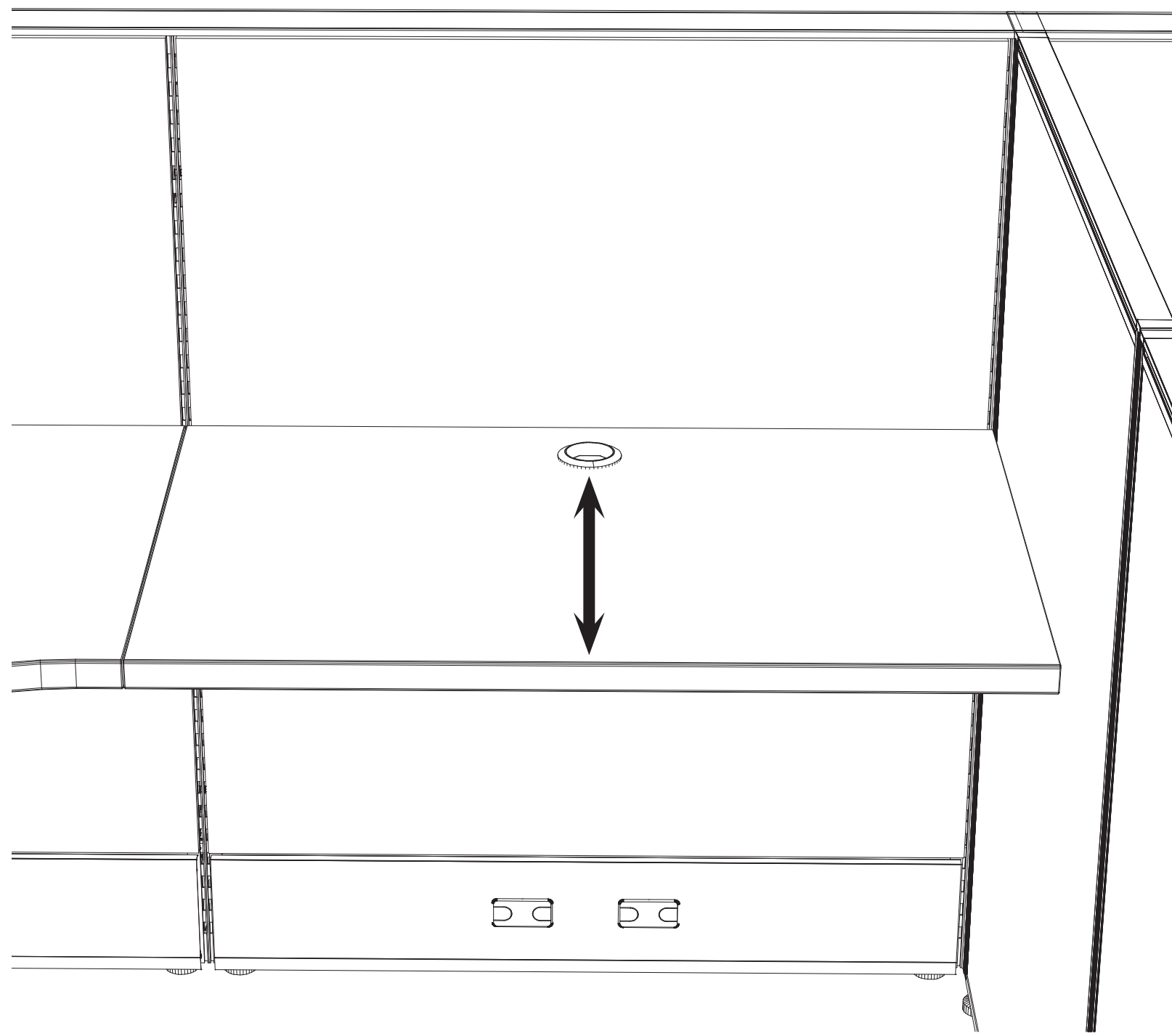
WIDTH	DEPTH	GROMMET LOCATION	LAMINATE DIRECTION	PART NUMBER	LIST PRICE
24"	30"	RIGHT (R) LEFT (L) CENTER (C)	LEFT TO RIGHT (SHOWN ABOVE)	X-WSG-24-30-?	\$239
30"	30"	RIGHT (R) LEFT (L) CENTER (C)	LEFT TO RIGHT (SHOWN ABOVE)	X-WSG-30-30-?	\$239
36"	30"	RIGHT (R) LEFT (L) CENTER (C)	LEFT TO RIGHT (SHOWN ABOVE)	X-WSG-36-30-?	\$256
42"	30"	RIGHT (R) LEFT (L) CENTER (C)	LEFT TO RIGHT (SHOWN ABOVE)	X-WSG-42-30-?	\$283
48"	30"	RIGHT (R) LEFT (L) CENTER (C)	LEFT TO RIGHT (SHOWN ABOVE)	X-WSG-48-30-?	\$311
54"	30"	RIGHT (R) LEFT (L) CENTER (C)	LEFT TO RIGHT (SHOWN ABOVE)	X-WSG-54-30-?	\$366
60"	30"	RIGHT (R) LEFT (L) CENTER (C)	LEFT TO RIGHT (SHOWN ABOVE)	X-WSG-60-30-?	\$366
66"	30"	RIGHT (R) LEFT (L) CENTER (C)	LEFT TO RIGHT (SHOWN ABOVE)	X-WSG-66-30-?	\$448
72"	30"	RIGHT (R) LEFT (L) CENTER (C)	LEFT TO RIGHT (SHOWN ABOVE)	X-WSG-72-30-?	\$448
78"	30"	RIGHT (R) LEFT (L) CENTER (C)	LEFT TO RIGHT (SHOWN ABOVE)	X-WSG-78-30-?	\$514
84"	30"	RIGHT (R) LEFT (L) CENTER (C)	LEFT TO RIGHT (SHOWN ABOVE)	X-WSG-84-30-?	\$514
90"	30"	RIGHT (R) LEFT (L) CENTER (C)	LEFT TO RIGHT (SHOWN ABOVE)	X-WSG-90-30-?	\$514
96"	30"	RIGHT (R) LEFT (L) CENTER (C)	LEFT TO RIGHT (SHOWN ABOVE)	X-WSG-96-30-?	\$514

### NOTES:

- EDGE WILL BE THE SAME AS THE LAMINATE UNLESS SPECIFIED DIFFERENTLY
- SURFACE WIDTH AND DEPTH ARE 1/8" LESS THAN WHAT IS SHOWN



## SURFACES: STRAIGHT RETURN W/ GROMMET



### FEATURES:

- MATCHING 3MM EDGE
- ROUND GROMMETS

### TO ORDER, SPECIFY:

- PART NUMBER
- WIDTH
- DEPTH
- GROMMET LOCATION
- LAMINATE

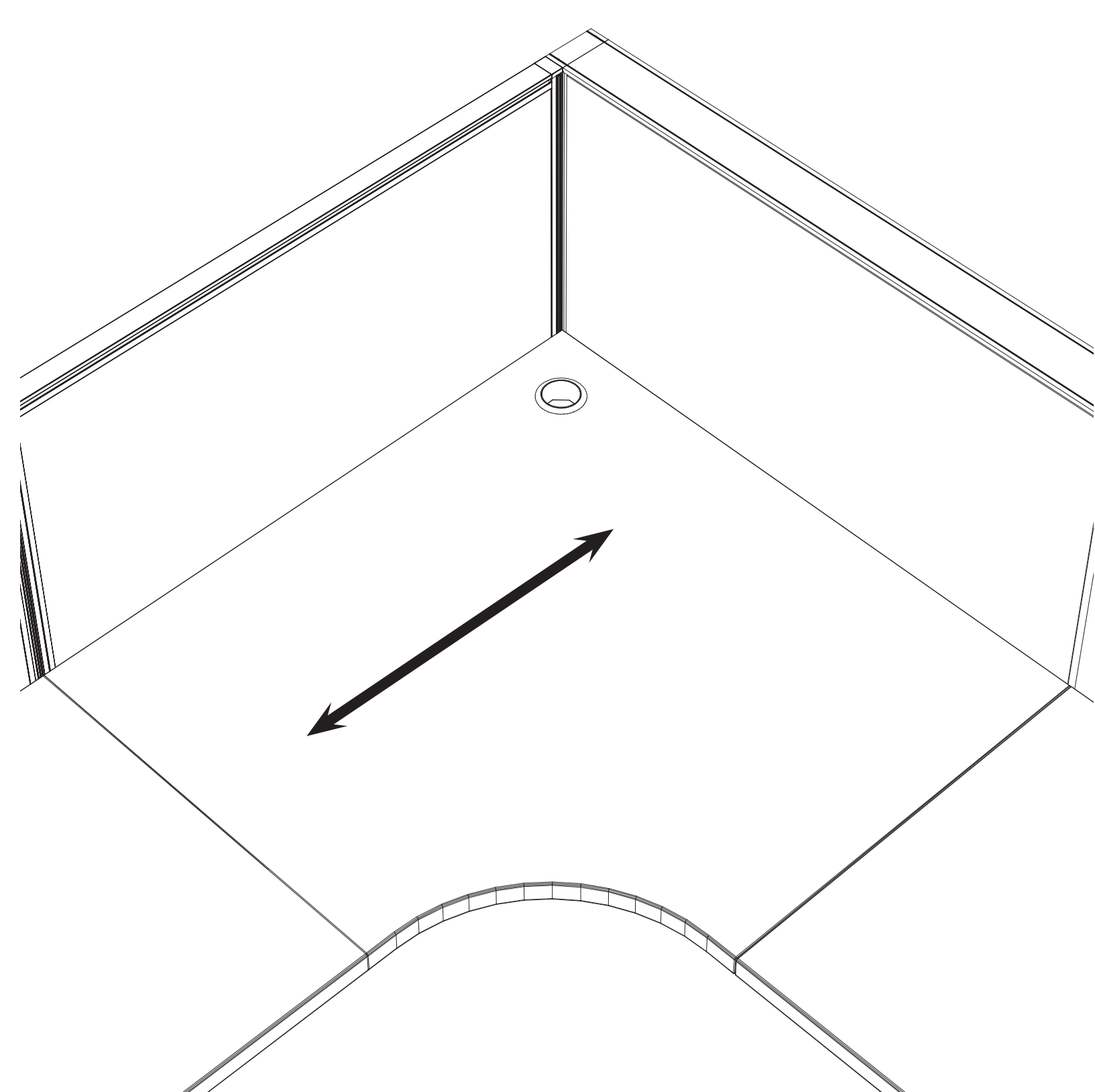
WIDTH	DEPTH	GROMMET LOCATION	LAMINATE DIRECTION	PART NUMBER	LIST PRICE
24"	30"	RIGHT (R) LEFT (L) CENTER (C)	FRONT TO BACK (SHOWN ABOVE)	X-WSGR-24-30-?	\$239
30"	30"	RIGHT (R) LEFT (L) CENTER (C)	FRONT TO BACK (SHOWN ABOVE)	X-WSGR-30-30-?	\$239
36"	30"	RIGHT (R) LEFT (L) CENTER (C)	FRONT TO BACK (SHOWN ABOVE)	X-WSGR-36-30-?	\$256
42"	30"	RIGHT (R) LEFT (L) CENTER (C)	FRONT TO BACK (SHOWN ABOVE)	X-WSGR-42-30-?	\$283
48"	30"	RIGHT (R) LEFT (L) CENTER (C)	FRONT TO BACK (SHOWN ABOVE)	X-WSGR-48-30-?	\$311

### NOTES:

- EDGE WILL BE THE SAME AS THE LAMINATE UNLESS SPECIFIED DIFFERENTLY
- SURFACE WIDTH AND DEPTH ARE 1/8" LESS THAN WHAT IS SHOWN



# SURFACES: CURVED CORNER



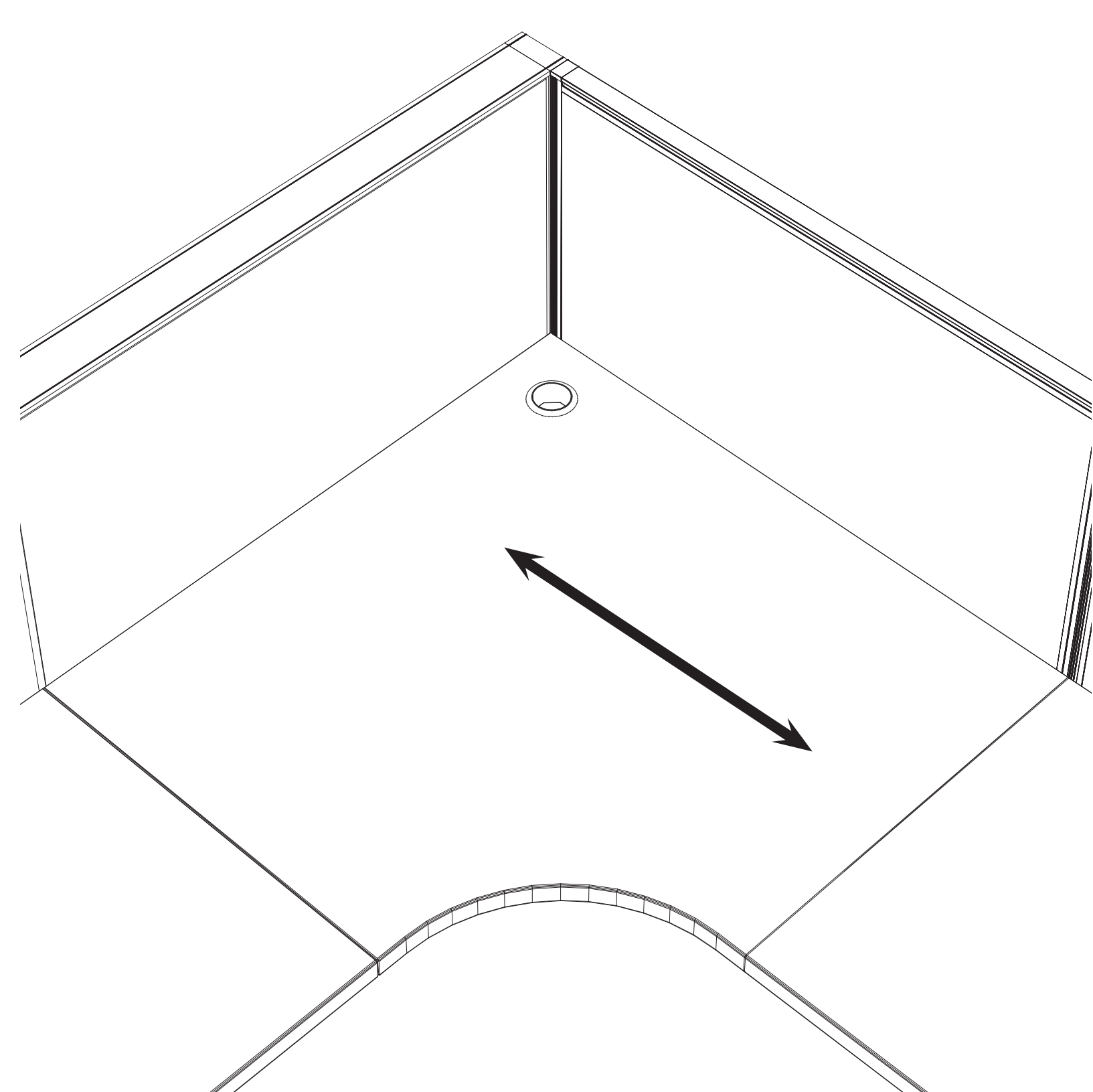
**FEATURES:**

- MATCHING 3MM EDGE
- ROUND GROMMETS

**TO ORDER, SPECIFY:**

- PART NUMBER
- DIRECTION
- WIDTH
- DEPTH
- LAMINATE

WIDTH	DEPTH	LAMINATE DIRECTION	PART NUMBER	LIST PRICE
36"	24"	(SHOWN ABOVE)	X-WS-CCL-36-24	\$275



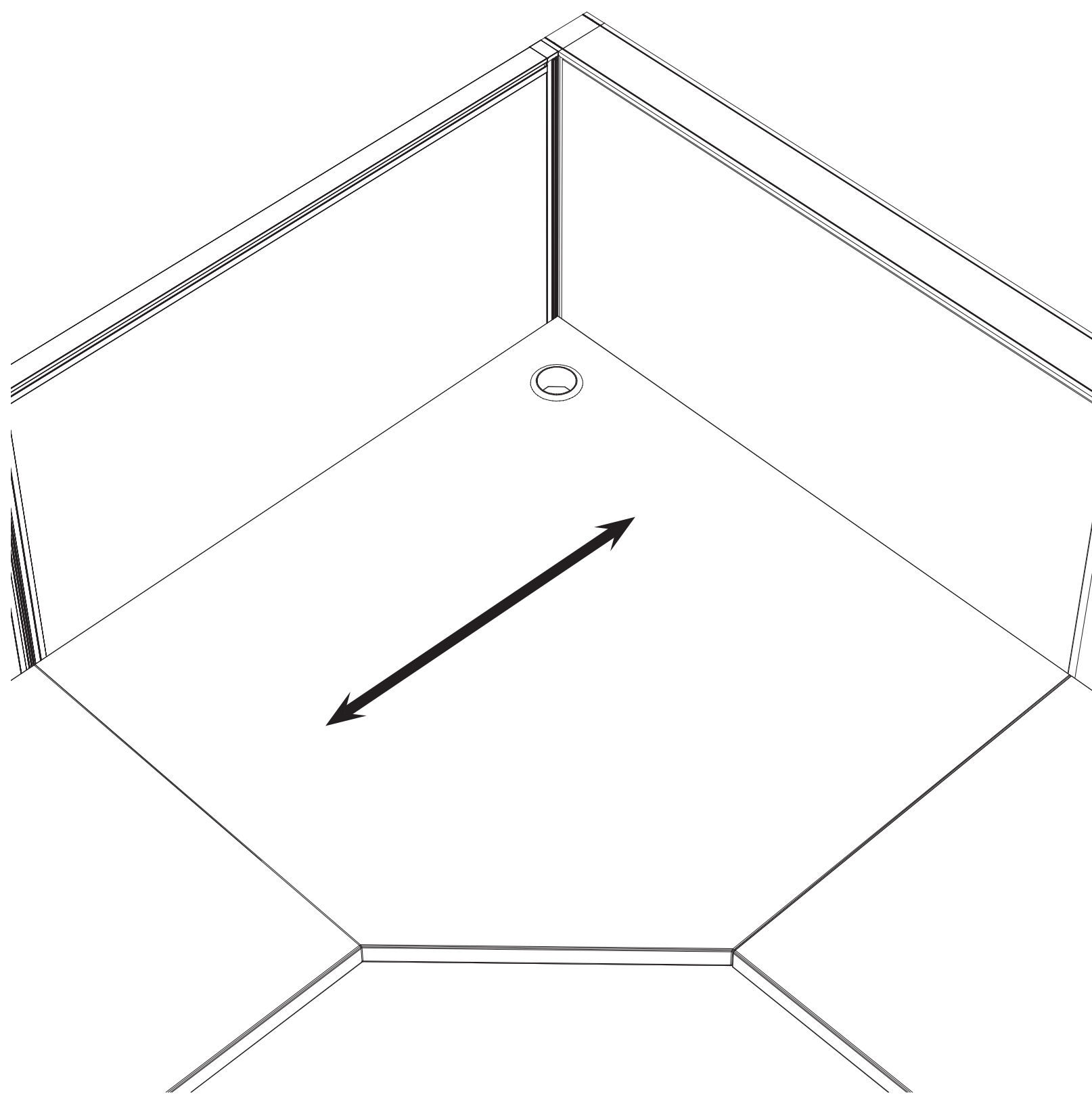
WIDTH	DEPTH	LAMINATE DIRECTION	PART NUMBER	LIST PRICE
36"	24"	(SHOWN ABOVE)	X-WS-CCR-36-24	\$275

**NOTES:**

- EDGE WILL BE THE SAME AS THE LAMINATE UNLESS SPECIFIED DIFFERENTLY
- SURFACE WIDTH AND DEPTH ARE 1/8" LESS THAN WHAT IS SHOWN



# SURFACES: STRAIGHT CORNER



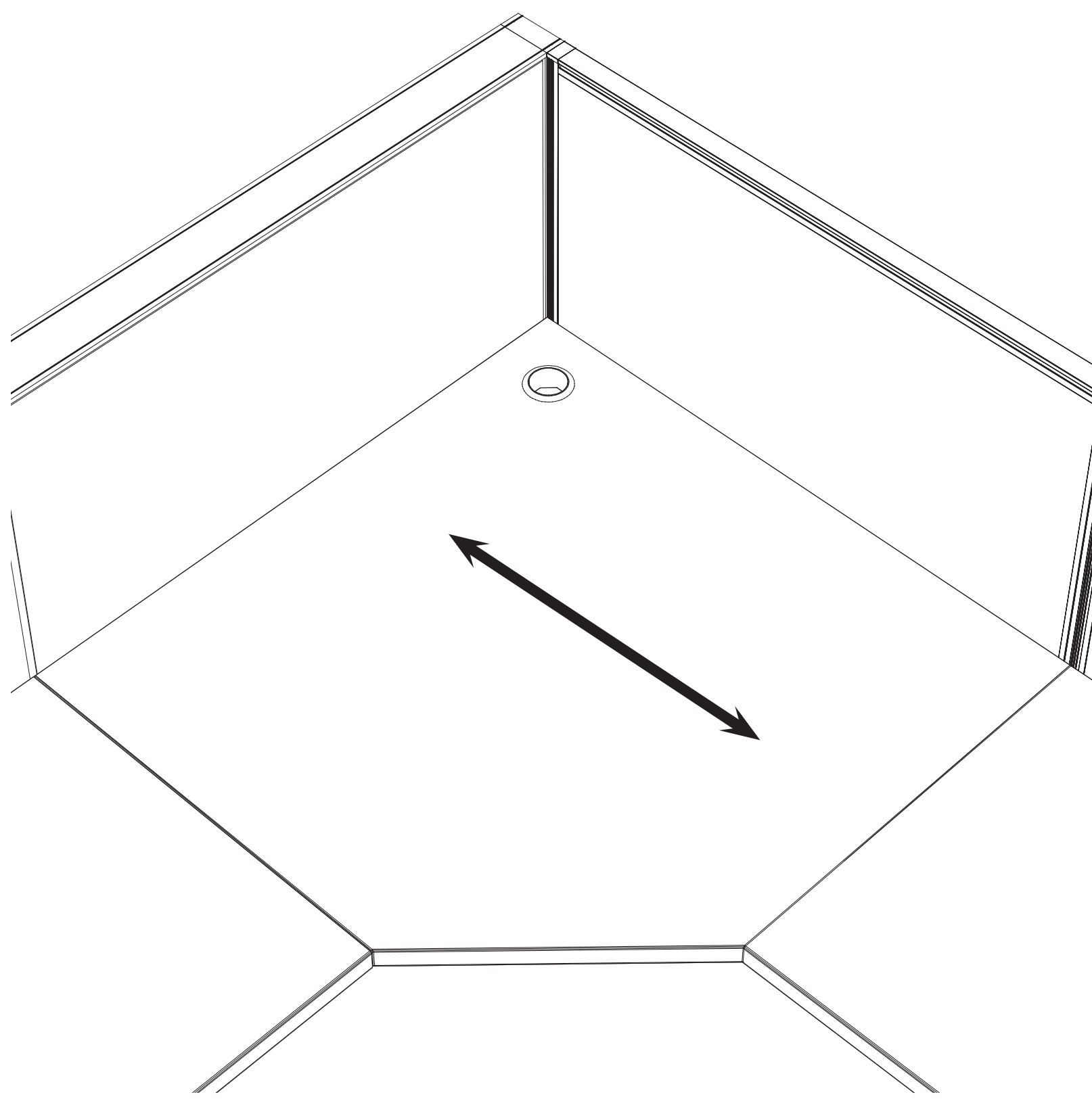
**FEATURES:**

- MATCHING 3MM EDGE
- ROUND GROMMETS

**TO ORDER, SPECIFY:**

- PART NUMBER
- DIRECTION
- WIDTH
- DEPTH
- LAMINATE

WIDTH	DEPTH	LAMINATE DIRECTION	PART NUMBER	LIST PRICE
36"	24"	(SHOWN ABOVE)	X-WS-SCL-36-24	\$275



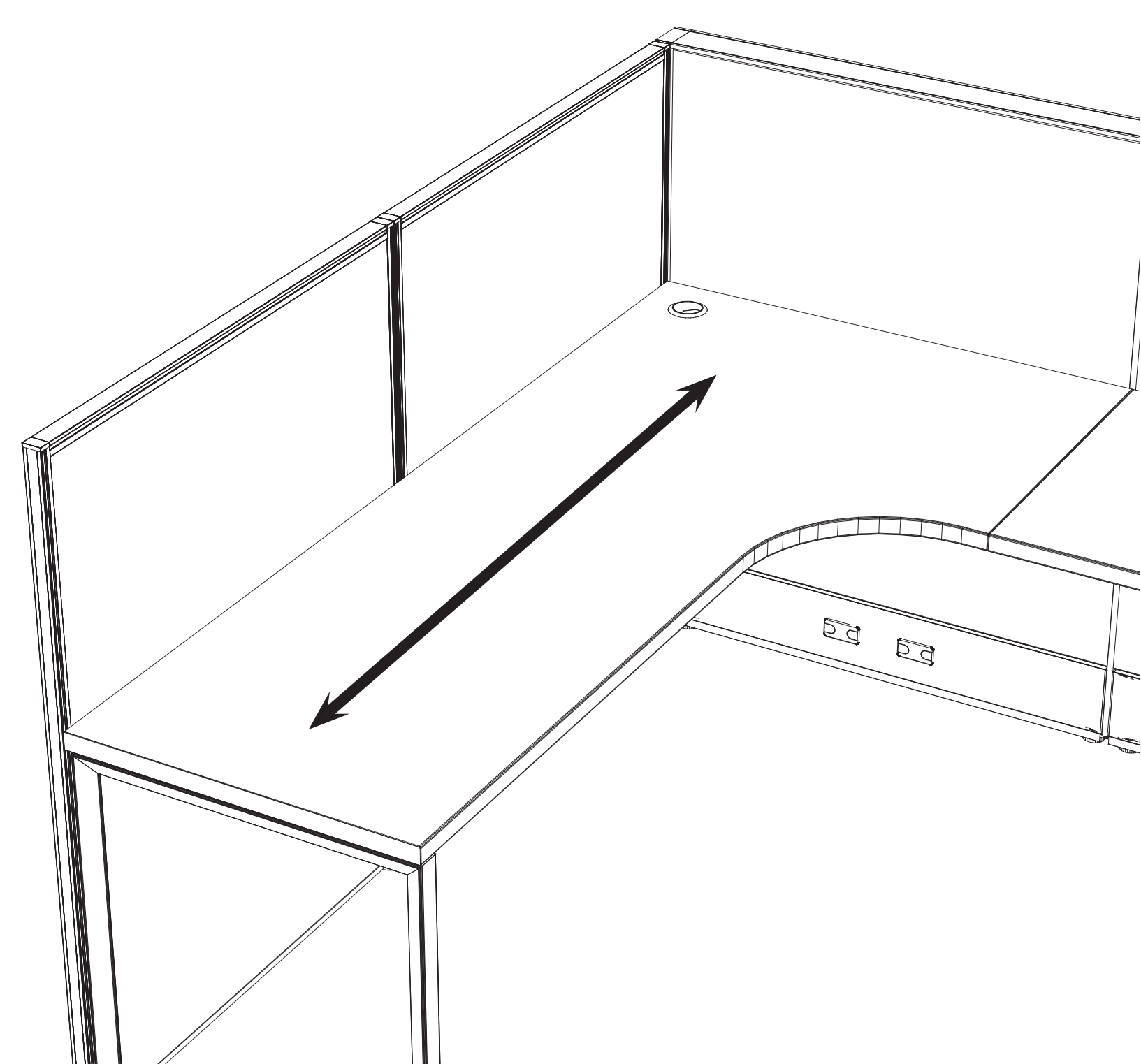
WIDTH	DEPTH	LAMINATE DIRECTION	PART NUMBER	LIST PRICE
36"	24"	(SHOWN ABOVE)	X-WS-SCR-36-24	\$275

**NOTES:**

- EDGE WILL BE THE SAME AS THE LAMINATE UNLESS SPECIFIED DIFFERENTLY
- SURFACE WIDTH AND DEPTH ARE 1/8" LESS THAN WHAT IS SHOWN



# SURFACES: EXTENDED CURVED CORNER



## FEATURES:

- MATCHING 3MM EDGE
- ROUND GROMMETS

## TO ORDER, SPECIFY:

- PART NUMBER
- LEFT WIDTH
- RIGHT WIDTH
- DEPTH
- LAMINATE

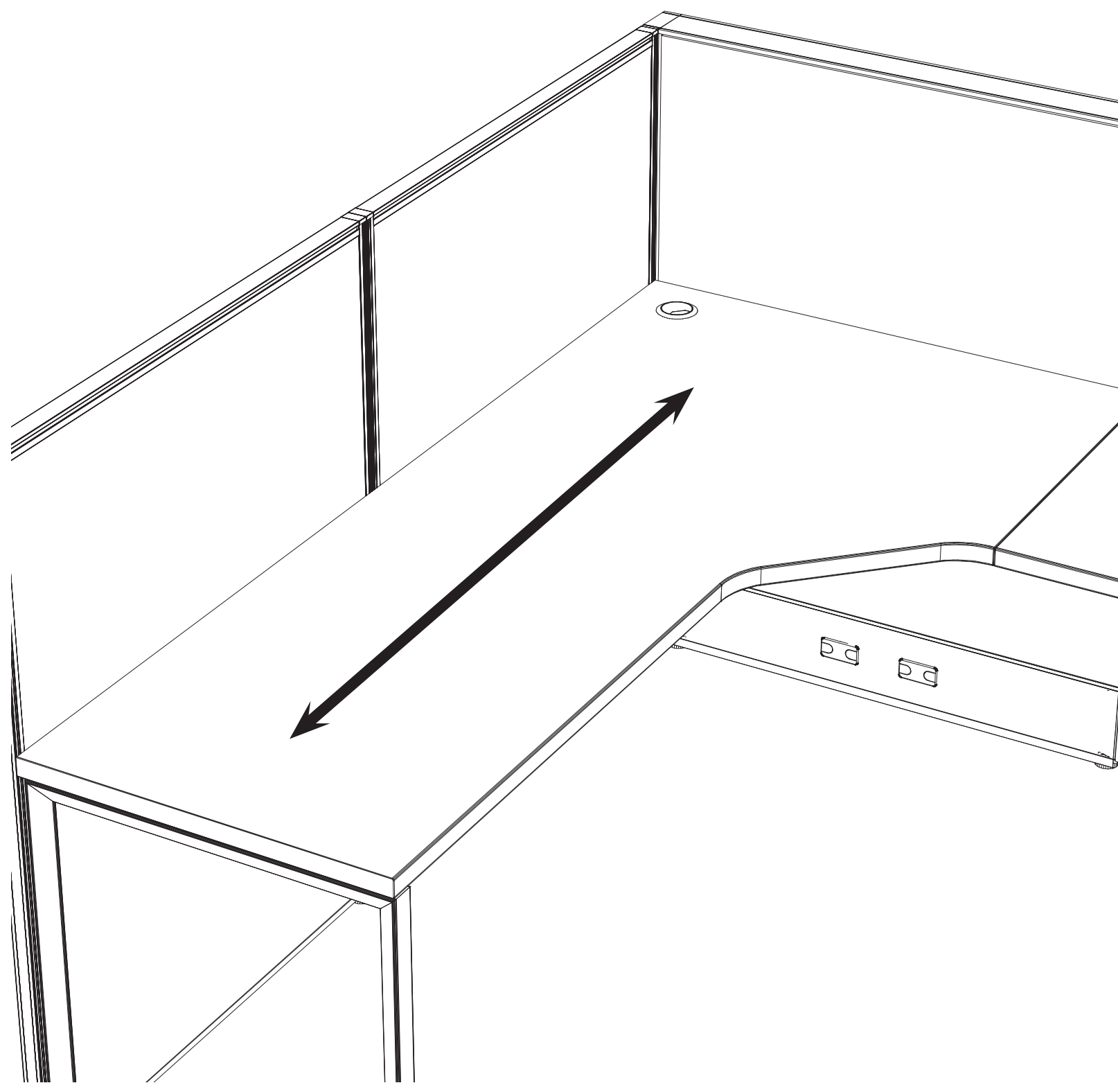
LEFT WIDTH	RIGHT WIDTH	DEPTH	LAMINATE DIRECTION	PART NUMBER	LIST PRICE
36"	48"	24"	LONG SIDE (SHOWN ABOVE)	X-WS-ECC-36-48-24	\$347
36"	60"	24"	LONG SIDE (SHOWN ABOVE)	X-WS-ECC-36-60-24	\$413
36"	72"	24"	LONG SIDE (SHOWN ABOVE)	X-WS-ECC-36-72-24	\$457
48"	36"	24"	LONG SIDE (SHOWN ABOVE)	X-WS-ECC-48-36-24	\$347
48"	60"	24"	LONG SIDE (SHOWN ABOVE)	X-WS-ECC-48-60-24	\$429
48"	72"	24"	LONG SIDE (SHOWN ABOVE)	X-WS-ECC-48-72-24	\$495
60"	36"	24"	LONG SIDE (SHOWN ABOVE)	X-WS-ECC-60-36-24	\$413
60"	48"	24"	LONG SIDE (SHOWN ABOVE)	X-WS-ECC-60-48-24	\$429
72"	36"	24"	LONG SIDE (SHOWN ABOVE)	X-WS-ECC-72-36-24	\$457
72"	48"	24"	LONG SIDE (SHOWN ABOVE)	X-WS-ECC-72-48-24	\$495

## NOTES:

- EDGE WILL BE THE SAME AS THE LAMINATE UNLESS SPECIFIED DIFFERENTLY
- SURFACE WIDTH AND DEPTH ARE 1/8" LESS THAN WHAT IS SHOWN



# SURFACES: EXTENDED STRAIGHT CORNER



## FEATURES:

- MATCHING 3MM EDGE
- ROUND GROMMETS

## TO ORDER, SPECIFY:

- PART NUMBER
- LEFT WIDTH
- RIGHT WIDTH
- DEPTH
- LAMINATE

LEFT WIDTH	RIGHT WIDTH	DEPTH	LAMINATE DIRECTION	PART NUMBER	LIST PRICE
36"	48"	24"	LONG SIDE (SHOWN ABOVE)	X-WS-ESC-36-48-24	\$347
36"	60"	24"	LONG SIDE (SHOWN ABOVE)	X-WS-ESC-36-60-24	\$413
36"	72"	24"	LONG SIDE (SHOWN ABOVE)	X-WS-ESC-36-72-24	\$457
48"	36"	24"	LONG SIDE (SHOWN ABOVE)	X-WS-ESC-48-36-24	\$347
48"	60"	24"	LONG SIDE (SHOWN ABOVE)	X-WS-ESC-48-60-24	\$429
48"	72"	24"	LONG SIDE (SHOWN ABOVE)	X-WS-ESC-48-72-24	\$495
60"	36"	24"	LONG SIDE (SHOWN ABOVE)	X-WS-ESC-60-36-24	\$413
60"	48"	24"	LONG SIDE (SHOWN ABOVE)	X-WS-ESC-60-48-24	\$429
72"	36"	24"	LONG SIDE (SHOWN ABOVE)	X-WS-ESC-72-36-24	\$457
72"	48"	24"	LONG SIDE (SHOWN ABOVE)	X-WS-ESC-72-48-24	\$495

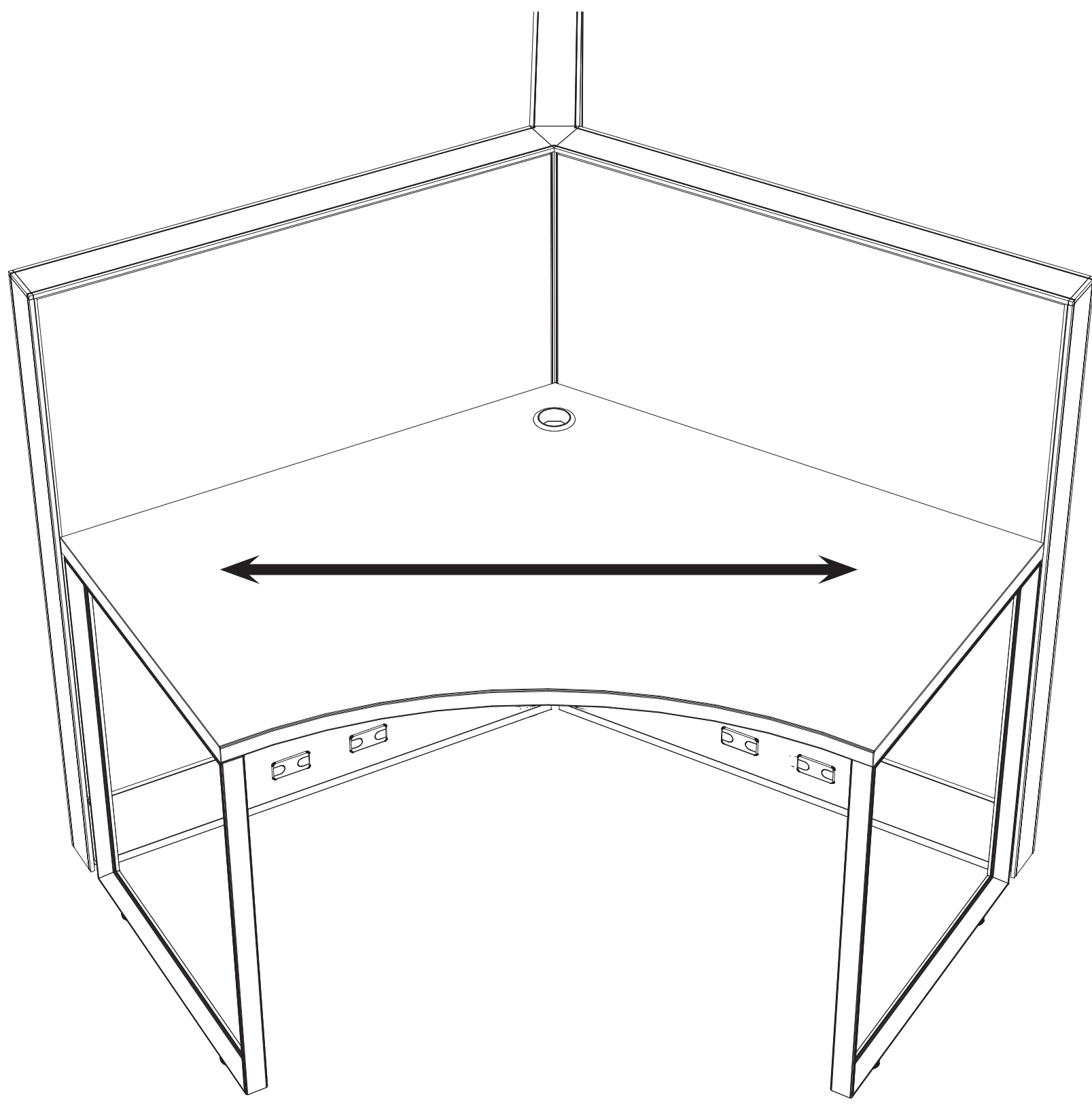
## NOTES:

- EDGE WILL BE THE SAME AS THE LAMINATE UNLESS SPECIFIED DIFFERENTLY
- SURFACE WIDTH AND DEPTH ARE 1/8" LESS THAN WHAT IS SHOWN





# SURFACES: 120 DEGREE CORNER



**FEATURES:**

- MATCHING 3MM EDGE
- ROUND GROMMETS

**TO ORDER, SPECIFY:**

- PART NUMBER
- WIDTH
- DEPTH
- LAMINATE

LEFT WIDTH	RIGHT WIDTH	DEPTH	LAMINATE DIRECTION	PART NUMBER	LIST PRICE
36"	36"	24"	(SHOWN ABOVE)	X-120CC-WS-36-24	\$451
48"	48"	24"	(SHOWN ABOVE)	X-120CC-WS-48-24	\$605

**NOTES:**

- EDGE WILL BE THE SAME AS THE LAMINATE UNLESS SPECIFIED DIFFERENTLY



## SURFACES: HEIGHT ADJUSTABLE W/ GROMMET



### FEATURES:

- MATCHING 3MM EDGE
- ROUND GROMMETS

### TO ORDER, SPECIFY:

- PART NUMBER
- WIDTH
- DEPTH
- GROMMET LOCATION
- LAMINATE

WIDTH	DEPTH	GROMMET LOCATION	LAMINATE DIRECTION	PART NUMBER	LIST PRICE
46"	22"	CENTER	LONG SIDE (SHOWN ABOVE)	X-WSG-46-22-C	\$245
58"	22"	CENTER	LONG SIDE (SHOWN ABOVE)	X-WSG-58-22-C	\$283
70"	22"	CENTER	LONG SIDE (SHOWN ABOVE)	X-WSG-70-22-C	\$432
46"	28"	CENTER	LONG SIDE (SHOWN ABOVE)	X-WSG-46-28-C	\$311
58"	28"	CENTER	LONG SIDE (SHOWN ABOVE)	X-WSG-58-28-C	\$366
70"	28"	CENTER	LONG SIDE (SHOWN ABOVE)	X-WSG-70-28-C	\$448

### NOTES:

- EDGE WILL BE THE SAME AS THE LAMINATE UNLESS SPECIFIED DIFFERENTLY
- DIMENSIONS REDUCED BY 1" IN EVERY DIRECTION TO ELIMINATE PINCH POINTS



# SURFACES: CUSTOM

## FEATURES:

- MATCHING 3MM EDGE

## TO ORDER, SPECIFY:

- PART NUMBER
- WIDTH
- DEPTH
- LAMINATE
- DIMENSIONED DRAWING
- GRAIN DIRECTION

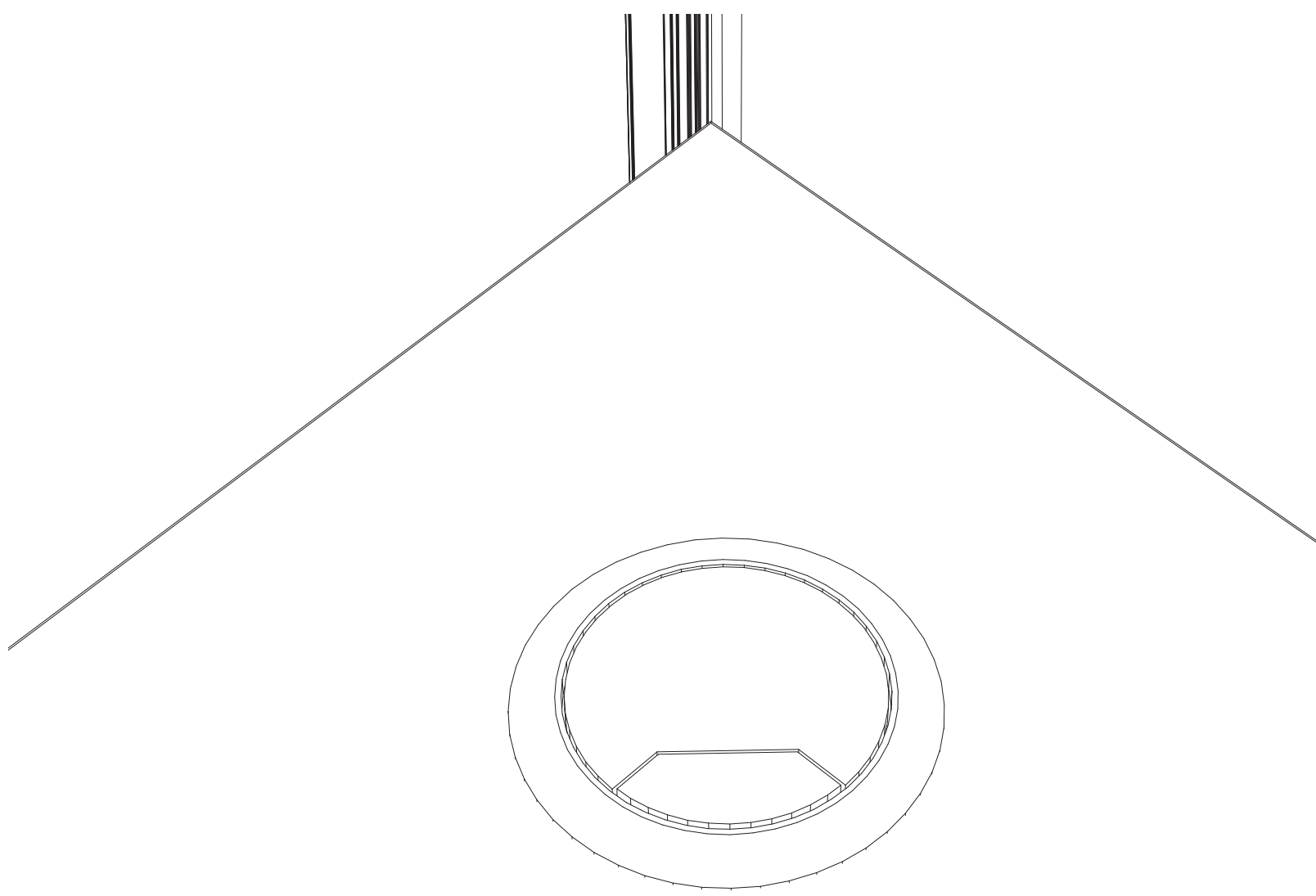
WIDTH	DEPTH	PART NUMBER	LIST PRICE
48"	24"	X-CUST-WS-48-24	\$270
48"	30"	X-CUST-WS-48-30	\$355
48"	48"	X-CUST-WS-48-48	\$528
72"	24"	X-CUST-WS-72-24	\$505
72"	30"	X-CUST-WS-72-30	\$525
72"	48"	X-CUST-WS-72-48	\$792
96"	24"	X-CUST-WS-96-24	\$585
96"	30"	X-CUST-WS-96-30	\$605
96"	48"	X-CUST-WS-96-48	\$1056

## NOTES:

- DIMENSIONED DRAWINGS MUST BE PROVIDED FOR ALL CUSTOM SURFACE ORDERS
- GROMMETS MUST BE SPECIFIED/PURCHASED SEPERATELY. SEE PAGE-27



# WORK SURFACE GROMMET



**FEATURES:**

- REMOVABLE TOP FOR LARGE CORDS

**TO ORDER, SPECIFY:**

- PART NUMBER

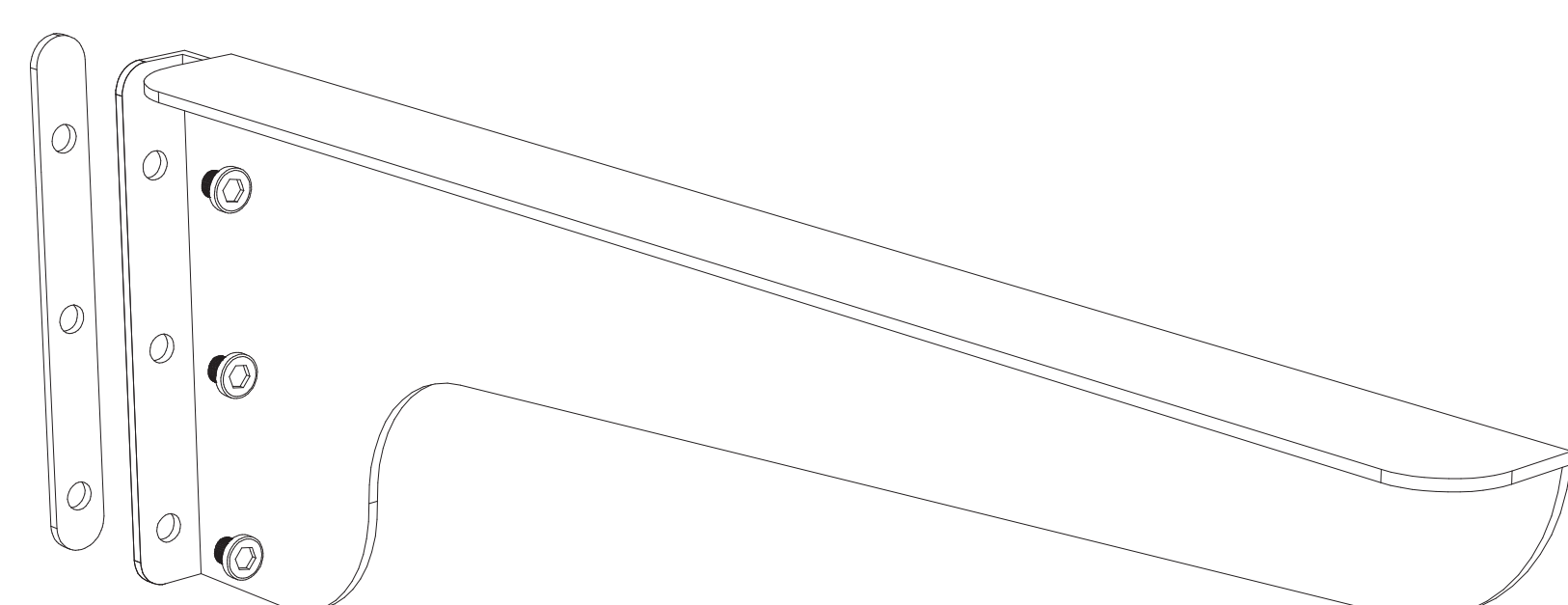
TOP DIAMETER	COLOR	PART NUMBER	LIST PRICE
2.75"	BLACK	X-WS-GRMT	\$50

**NOTES:**

- ONLY AVAILABLE IN BLACK
- 2 3/8" HOLE DIAMETER
- BOTTOM OF THE GROMMET MAY BE WRAPPED IN MASKING TAPE TO ENSURE A SNUG FIT



## X1 CANTILEVERS

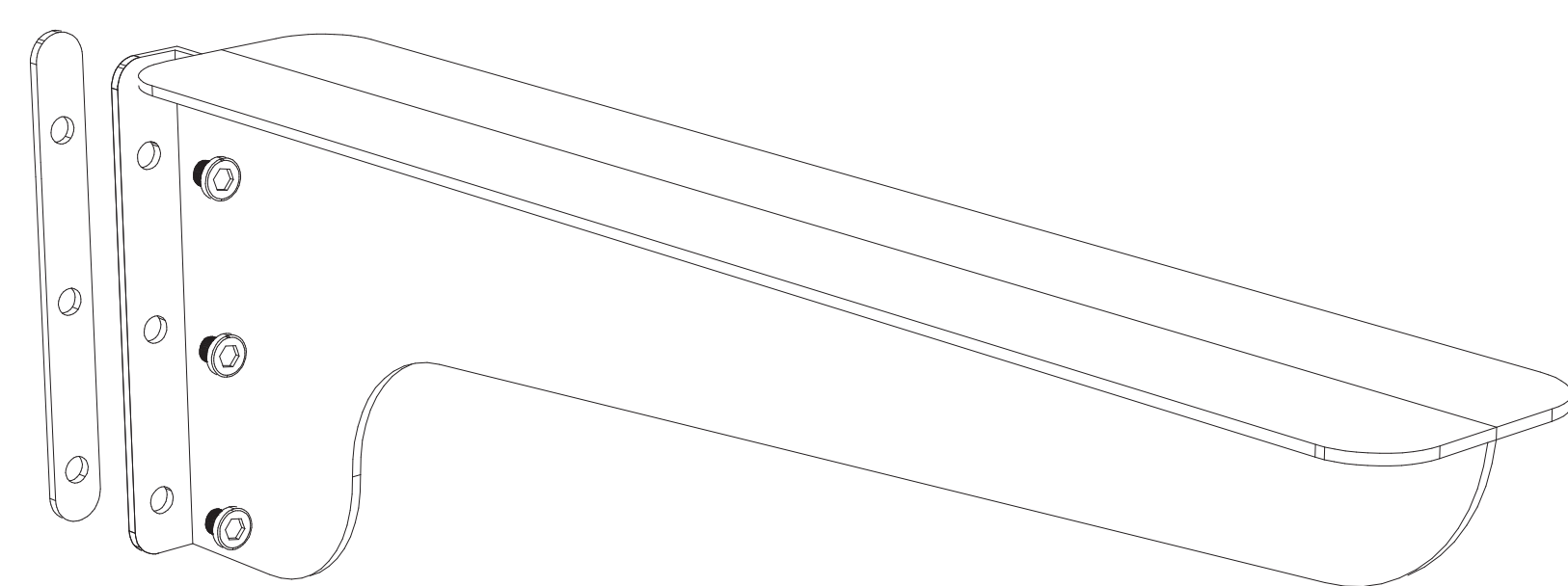


TO ORDER, SPECIFY:

- PART NUMBER
- DIRECTION
- COLOR

TYPE	DIRECTION	PART NUMBER	LIST PRICE
X1	LEFT	X1-CANT-L-?	\$20
X1	RIGHT (SHOWN ABOVE)	X1-CANT-R-?	\$20

## X1 SHARED CANTILEVERS



TO ORDER, SPECIFY:

- PART NUMBER
- DIRECTION
- COLOR

TYPE	DIRECTION	PART NUMBER	LIST PRICE
X1	LEFT	X1-CANT-SHD-L-?	\$20
X1	RIGHT (SHOWN ABOVE)	X1-CANT-SHD-R-?	\$20

NOTES:

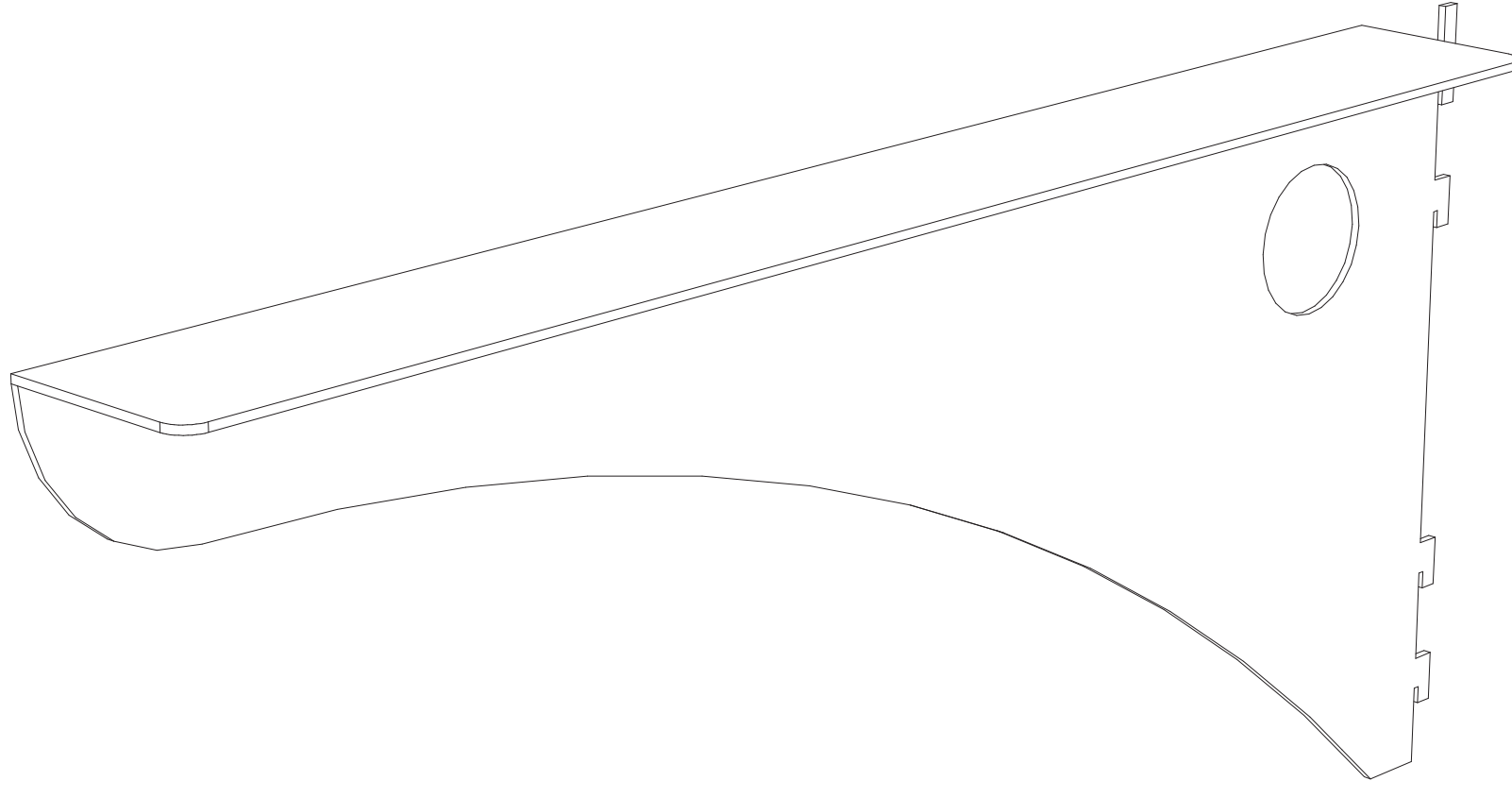
- X1 CANTILEVERS SHOULD BE USED ON X1 PANELS ONLY.



## X3 CANTILEVERS

TO ORDER, SPECIFY:

- PART NUMBER
- DIRECTION
- COLOR

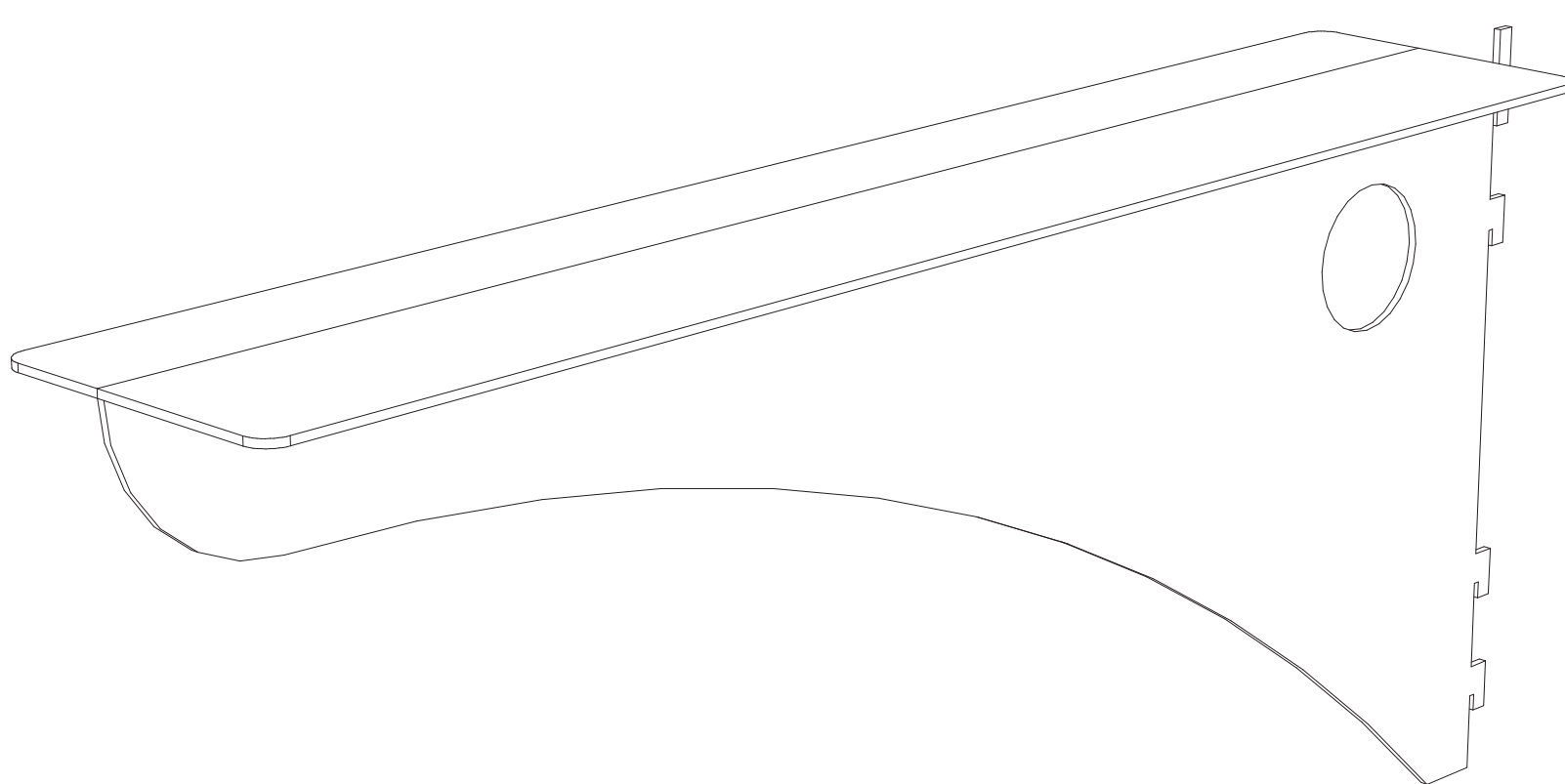


TYPE	DIRECTION		PART NUMBER	LIST PRICE
X3	LEFT	(SHOWN ABOVE)	X3-CANT-L-?	\$25
X3	RIGHT		X3-CANT-R-?	\$25

## X3 SHARED CANTILEVERS

TO ORDER, SPECIFY:

- PART NUMBER
- DIRECTION
- COLOR



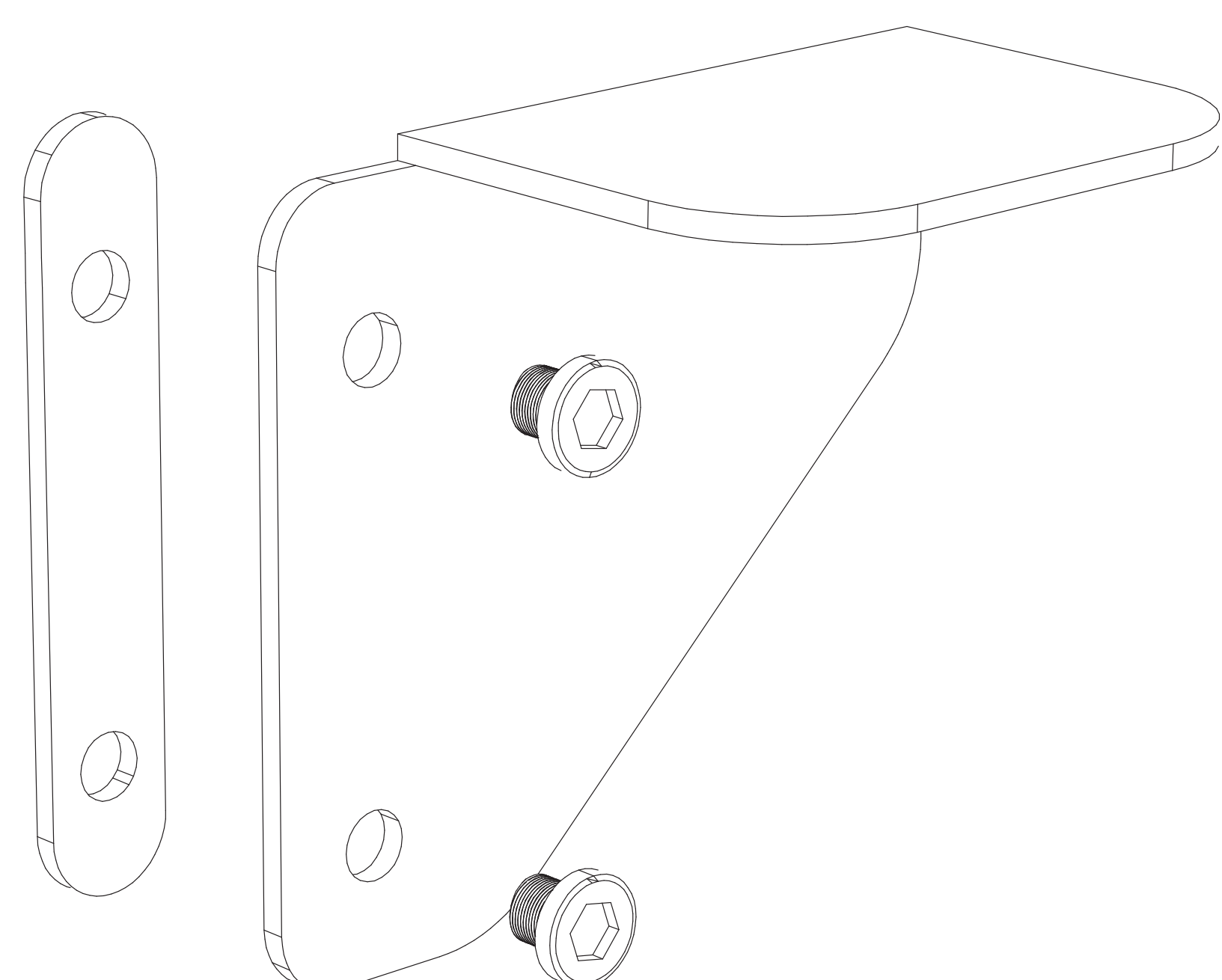
TYPE	DIRECTION		PART NUMBER	LIST PRICE
X3	LEFT	(SHOWN ABOVE)	X3-CANT-SHD-L-?	\$35
X3	RIGHT		X3-CANT-SHD-R-?	\$35

**NOTES:**

- X3 CANTILEVERS SHOULD BE USED ON X3 PANELS ONLY.



## X1 CORNER BRACKET



### NOTES:

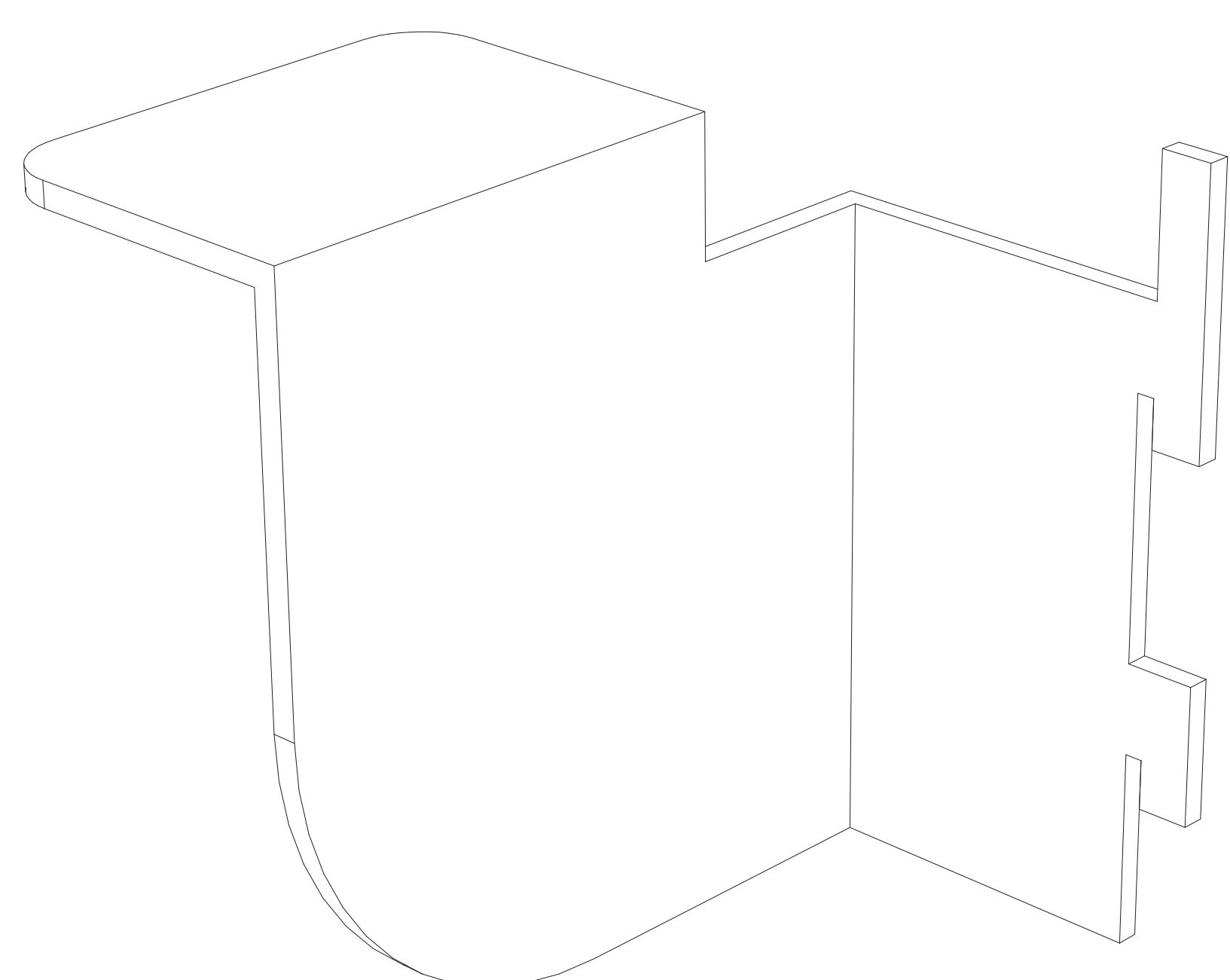
- X1 CORNER BRACKET SHOULD BE USED ON X1 PANELS ONLY

### TO ORDER, SPECIFY:

- PART NUMBER
- DIRECTION
- COLOR

TYPE	DIRECTION	PART NUMBER	LIST PRICE
X1	LEFT (SHOWN ABOVE)	X1-CB-L-?	\$5
X1	RIGHT	X1-CB-R-?	\$5

## X3 CORNER BRACKET



### NOTES:

- X3 CORNER BRACKET SHOULD BE USED ON X3 PANELS ONLY

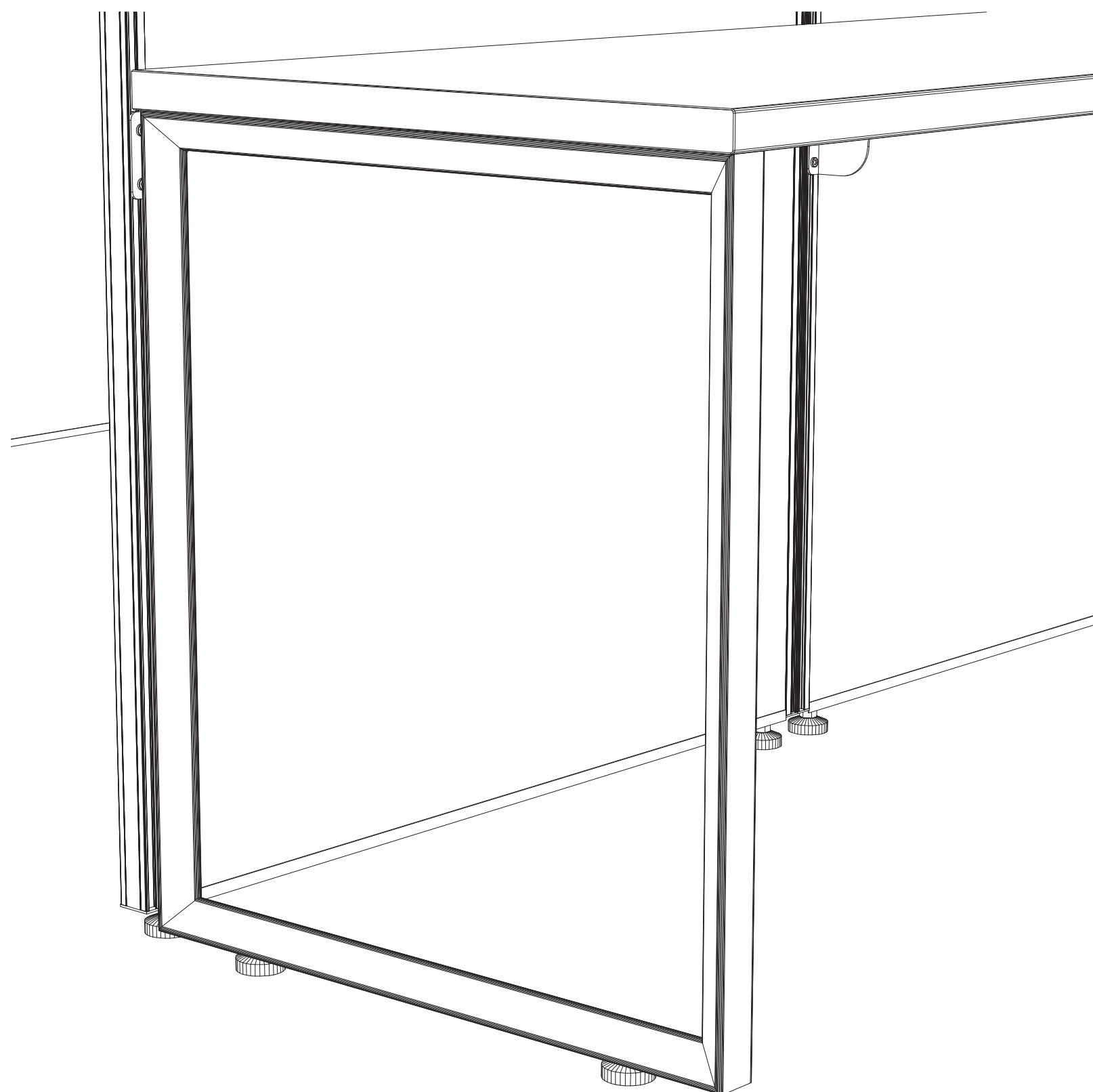
### TO ORDER, SPECIFY:

- PART NUMBER
- DIRECTION
- COLOR

TYPE	DIRECTION	PART NUMBER	LIST PRICE
X3	LEFT (SHOWN ABOVE)	X3-CB-L-?	\$5
X3	RIGHT	X3-CB-R-?	\$5



# SUPPORT LEGS



**FEATURES:**

- LARGE MOUNTING PLATE
- BLACK ADJUSTMENT GLIDES

**TO ORDER, SPECIFY:**

- PART NUMBER
- WIDTH
- COLOR

WIDTH	PART NUMBER	LIST PRICE
23.625"	X-LEG-O-24-?	\$250

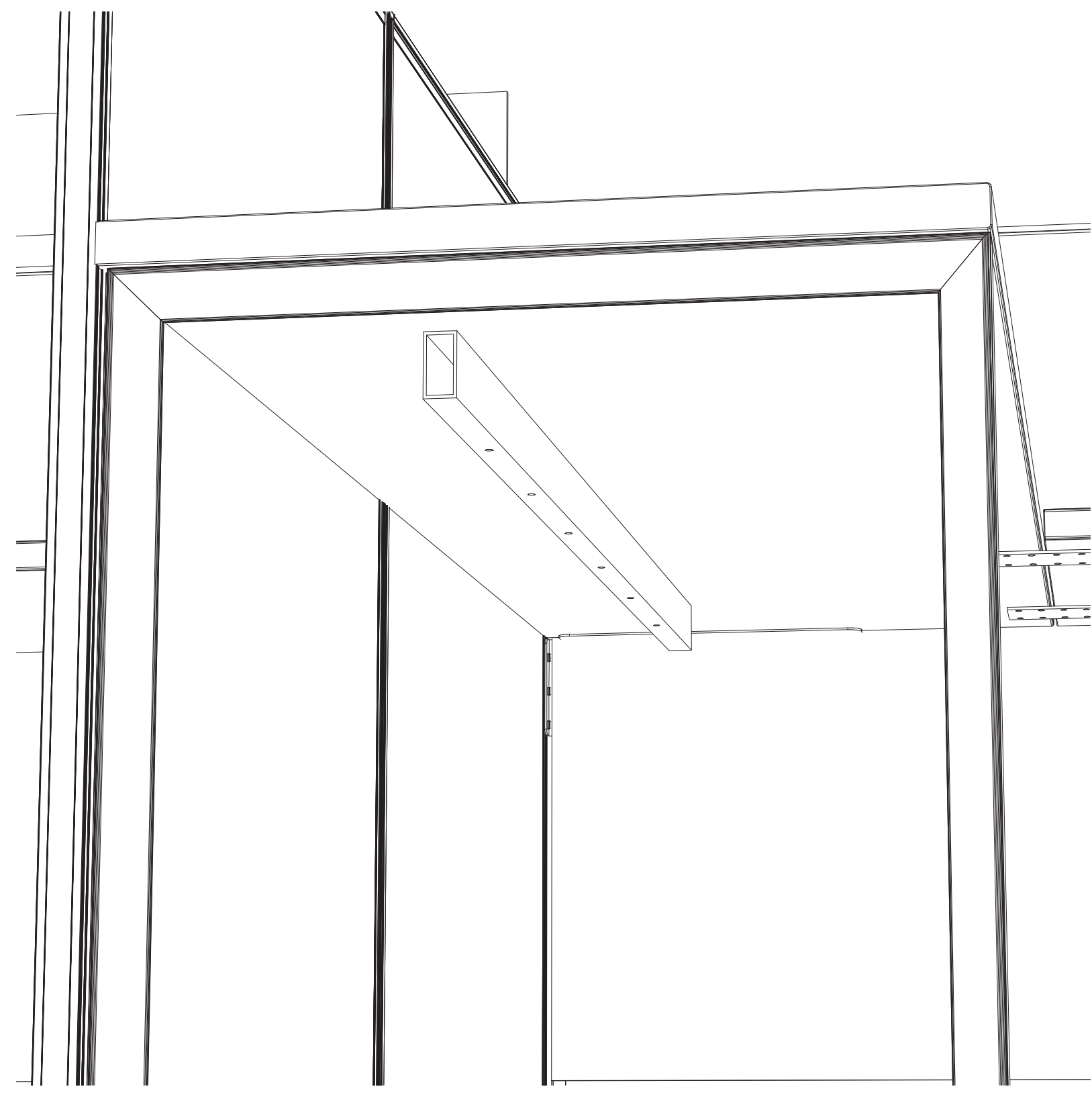
**NOTES:**

- MUST USE A CORNER BRACKET BEHIND THE LEG TO TIE IT TO THE PANEL. SEE PAGE-46





# SUPPORT BAR



**NOTES:**

- MOUNTING HARDWARE INCLUDED

**TO ORDER, SPECIFY:**

- PART NUMBER

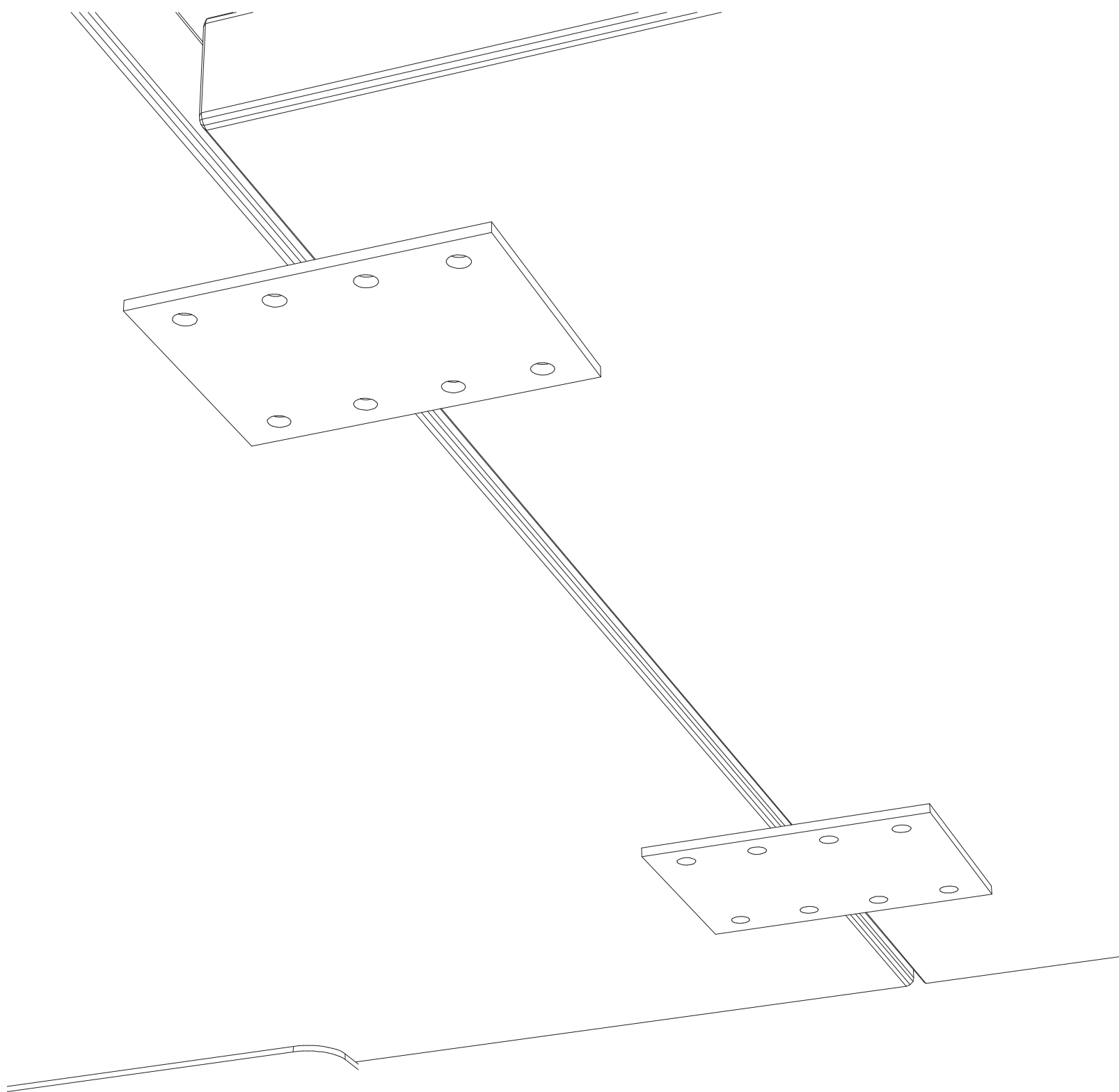
LENGTH	PART NUMBER	LIST PRICE
54"	X-SPRT-54	\$140

**NOTES:**

- MUST BE USED ON 60" WORKSURFACES WITHOUT A CENTER SUPPORT



# FLUSH MOUNT SUPPORT KIT



**FEATURES:**

- 2QTY BRACKETS INCLUDED IN KIT

**TO ORDER, SPECIFY:**

- PART NUMBER

LENGTH	WIDTH	PART NUMBER	LIST PRICE
23.625"		X-FMK-2	\$35



## OVAL PULL MOBILE BOX-BOX-FILE PEDESTAL



### FEATURES:

- TWO KEYS INCLUDED WITH EVERY LOCK
- 5TH WHEEL DESIGN TO PREVENT TIPPING
- LOCKING FRONT WHEELS

### TO ORDER, SPECIFY:

- PART NUMBER
- COLOR

WIDTH	HEIGHT	DEPTH	PART NUMBER	LIST PRICE
15.75"	23.25"	19"	X-6612-MPED-?	\$425

## OVAL PULL MOBILE PEDESTAL WITH SEAT CUSHION



### FEATURES:

- TWO KEYS INCLUDED WITH EVERY LOCK
- 5TH WHEEL DESIGN TO PREVENT TIPPING
- LOCKING FRONT WHEELS

### TO ORDER, SPECIFY:

- PART NUMBER
- COLOR
- SEAT CUSHION FABRIC

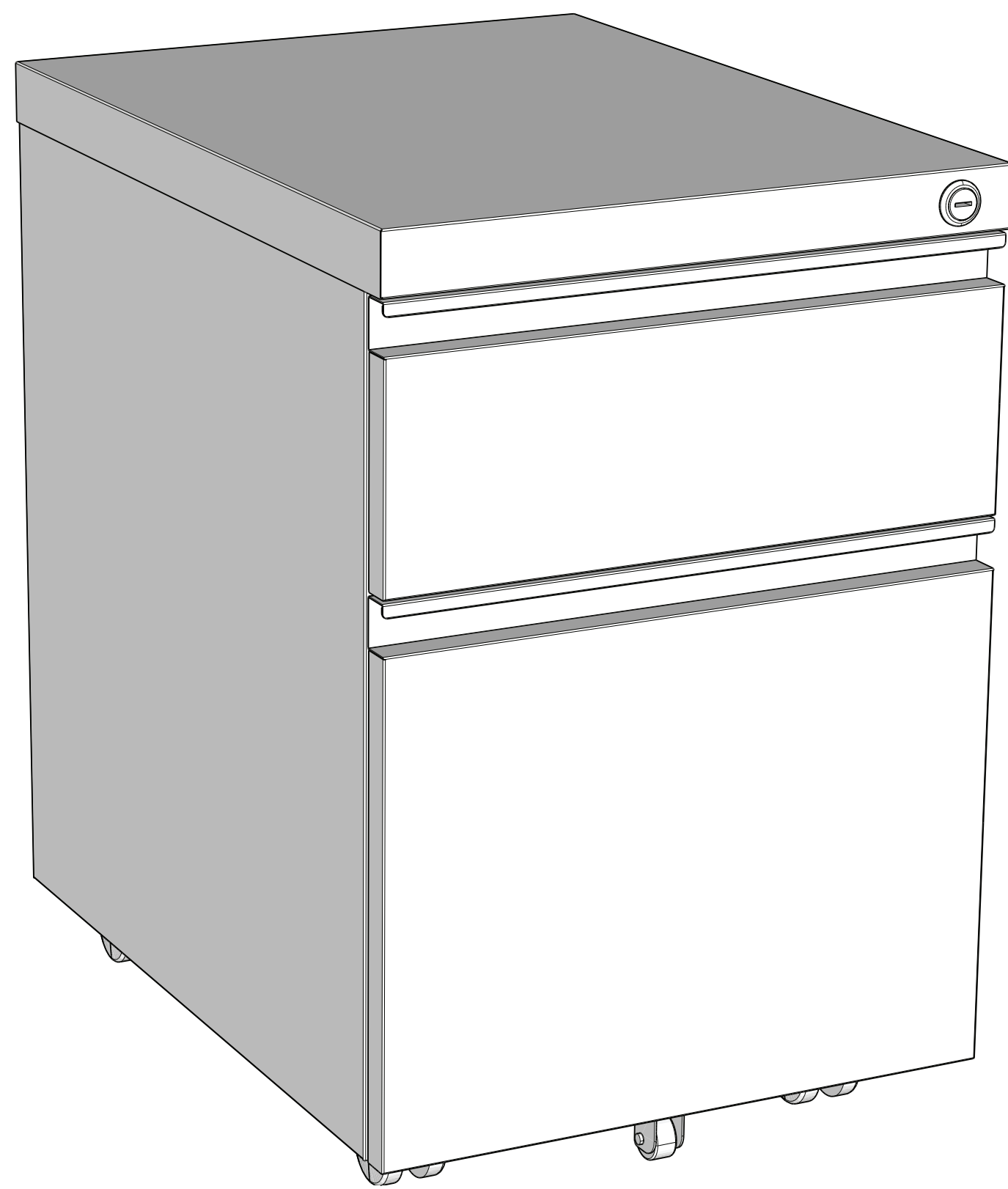
WIDTH	HEIGHT	DEPTH	PART NUMBER	LIST PRICE
15.75"	25.5" (INCLUDING CUSHION)	19"	X-6612-MPED-C-?	\$725

### NOTES:

- PEDESTAL SEAT CUSHIONS AVAILABLE IN GRADE-2 FABRICS / SEE PAGE-XX
- KEYS WILL NOT WORK WITH R-SERIES LOCKS



## FULL PULL MOBILE BOX-FILE PEDESTAL



### FEATURES:

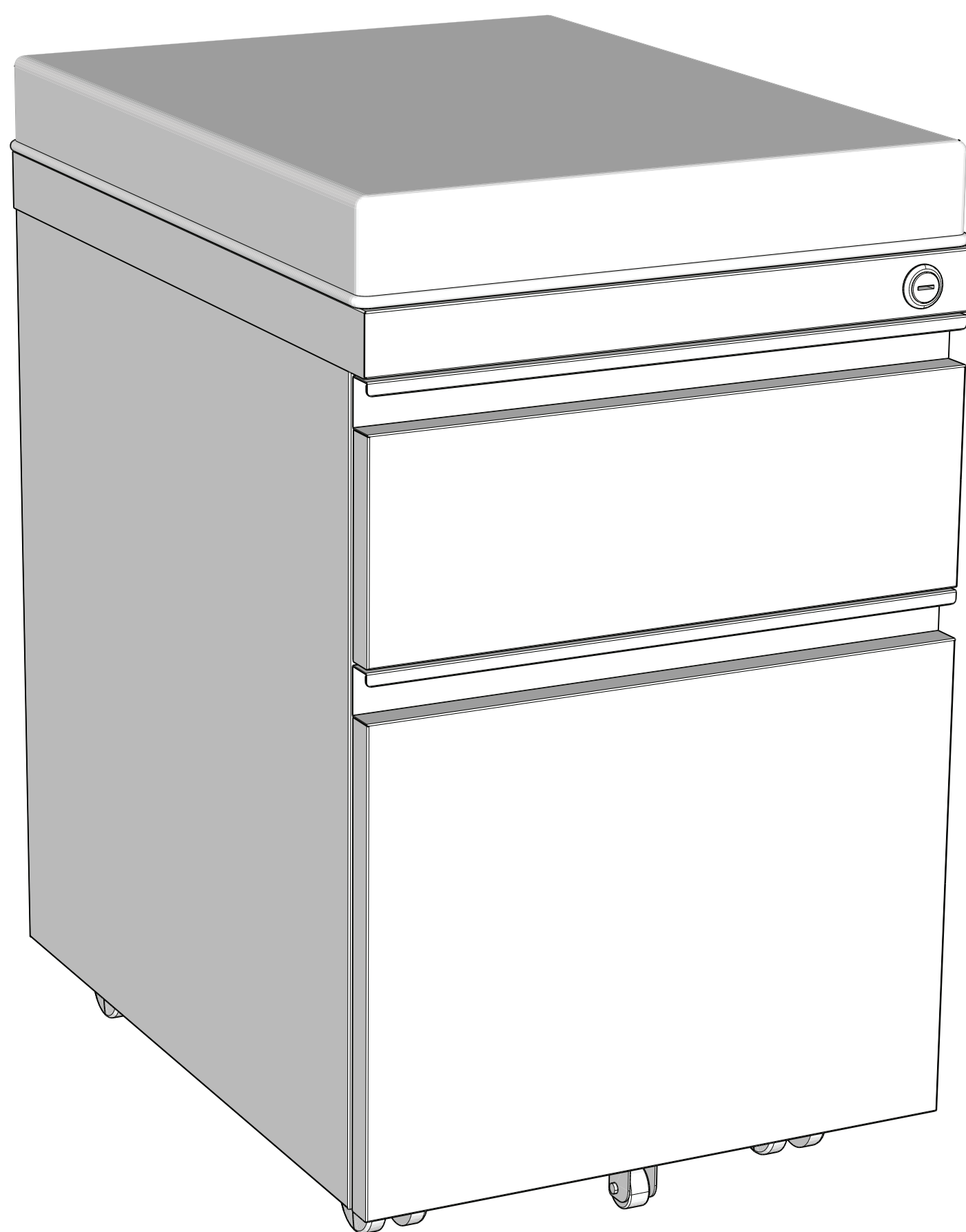
- TWO KEYS INCLUDED WITH EVERY LOCK
- 5TH WHEEL DESIGN TO PREVENT TIPPING
- LOCKING FRONT WHEELS

### TO ORDER, SPECIFY:

- PART NUMBER
- COLOR

WIDTH	HEIGHT	DEPTH	PART NUMBER	LIST PRICE
14.25"	21.25"	19"	X-6612-MPED-?	\$550

## FULL PULL MOBILE PEDESTAL WITH SEAT CUSHION



### FEATURES:

- TWO KEYS INCLUDED WITH EVERY LOCK
- 5TH WHEEL DESIGN TO PREVENT TIPPING
- LOCKING FRONT WHEELS

### TO ORDER, SPECIFY:

- PART NUMBER
- COLOR
- SEAT CUSHION FABRIC

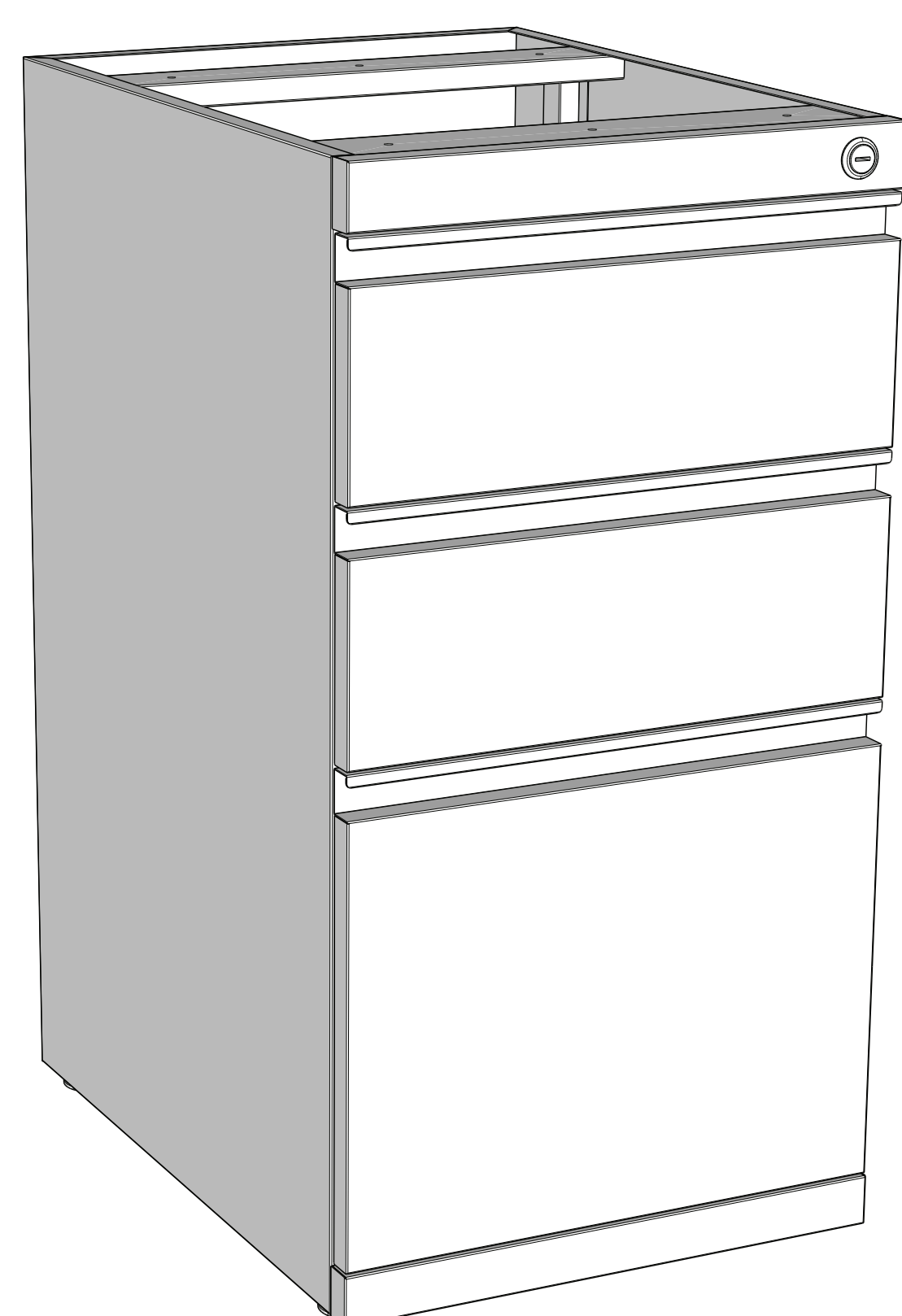
WIDTH	HEIGHT	DEPTH	PART NUMBER	LIST PRICE
14.25"	23.5" (INCLUDING CUSHION)	19"	X-6612-MPED-C-?	\$850

### NOTES:

- PEDESTAL SEAT CUSHIONS AVAILABLE IN GRADE-2 FABRICS / SEE PAGE-XX
- KEYS WILL NOT WORK WITH R-SERIES LOCKS



# FULL PULL SUPPORTING BOX-BOX-FILE PEDESTAL



**FEATURES:**

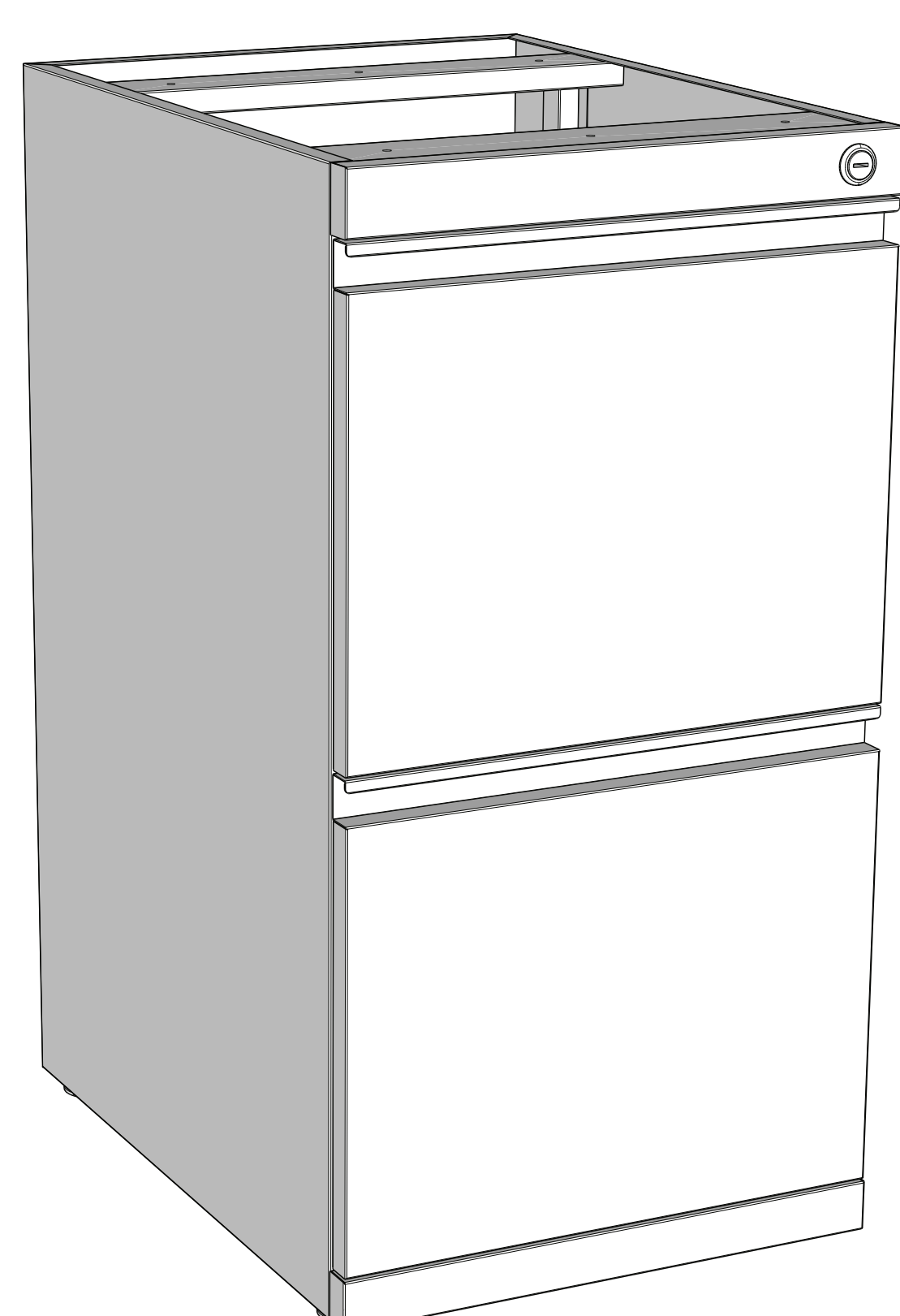
- TWO KEYS INCLUDED WITH EVERY LOCK

**TO ORDER, SPECIFY:**

- PART NUMBER
- COLOR

WIDTH	HEIGHT	DEPTH	PART NUMBER	LIST PRICE
14.25"	27.5"	19"	X-6612-MPED-?	\$550

# FULL PULL SUPPORTING FILE-FILE PEDESTAL



**FEATURES:**

- TWO KEYS INCLUDED WITH EVERY LOCK

**TO ORDER, SPECIFY:**

- PART NUMBER
- COLOR

WIDTH	HEIGHT	DEPTH	PART NUMBER	LIST PRICE
14.25"	27.5"	19"	X-6612-MPED-?	\$525

**NOTES:**

- KEYS WILL NOT WORK WITH R-SERIES LOCKS



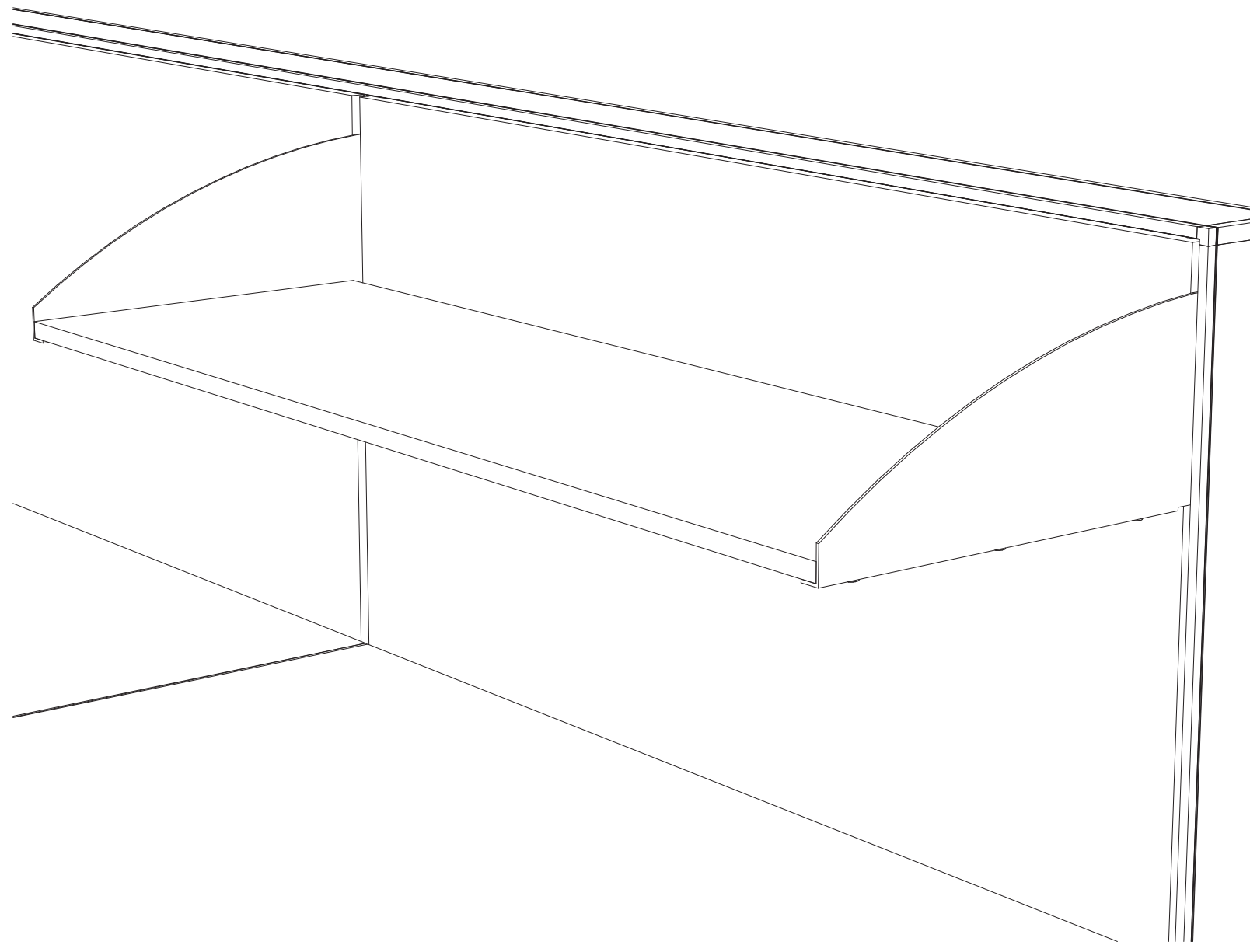
# X3 LOW SHELF

**NOTES:**

- SHELF WILL NOT WORK ON X1 PANELS
- MUST INSTALL AT THE TOP OF THE PANEL

**TO ORDER, SPECIFY:**

- PART NUMBER
- COLOR



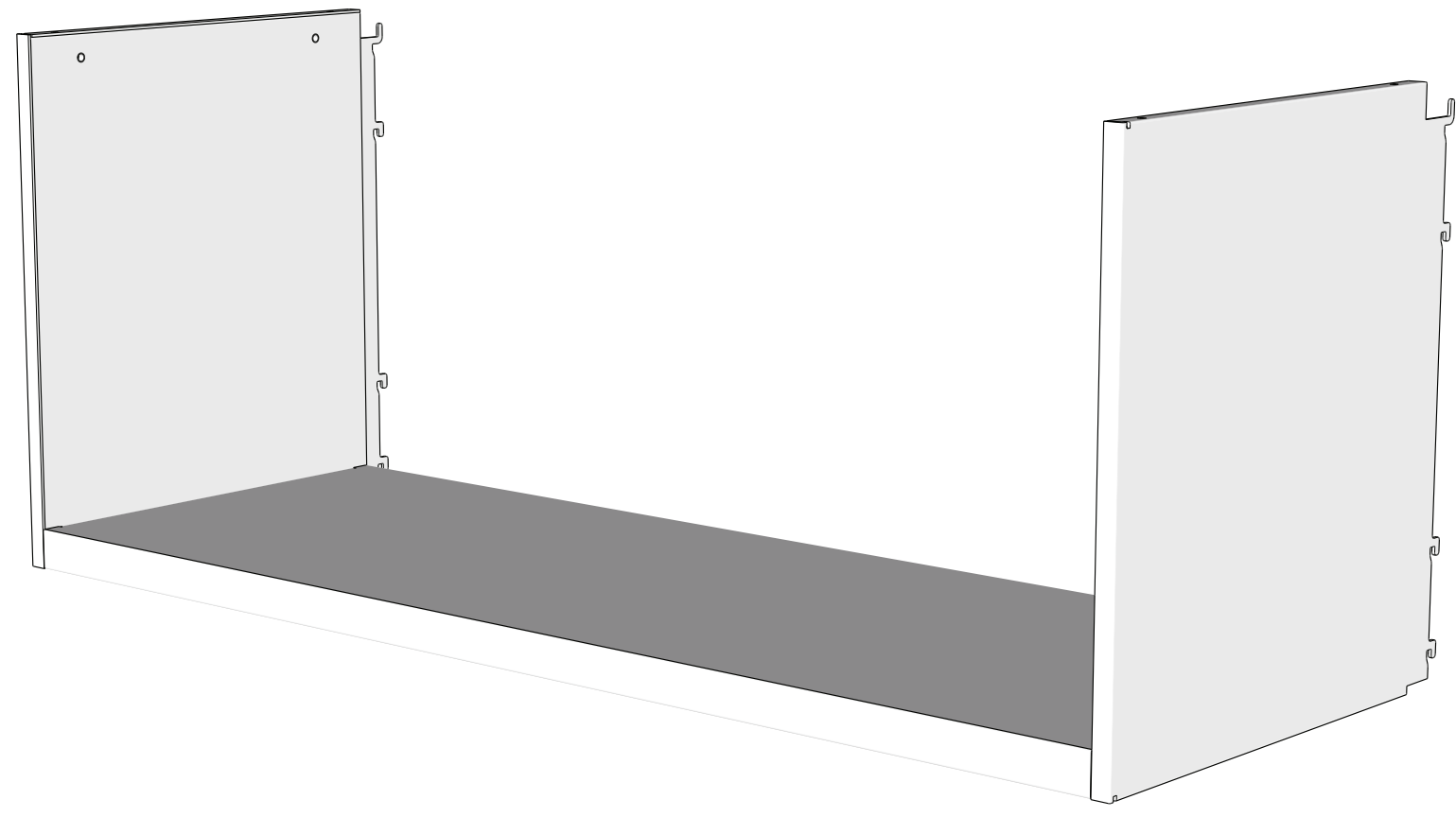
WIDTH	HEIGHT	DEPTH	PART NUMBER	LIST PRICE
36"	5"	11.5"	X3-SLF-L-36-X	\$155



# FULL HEIGHT X3 SHELF

TO ORDER, SPECIFY:

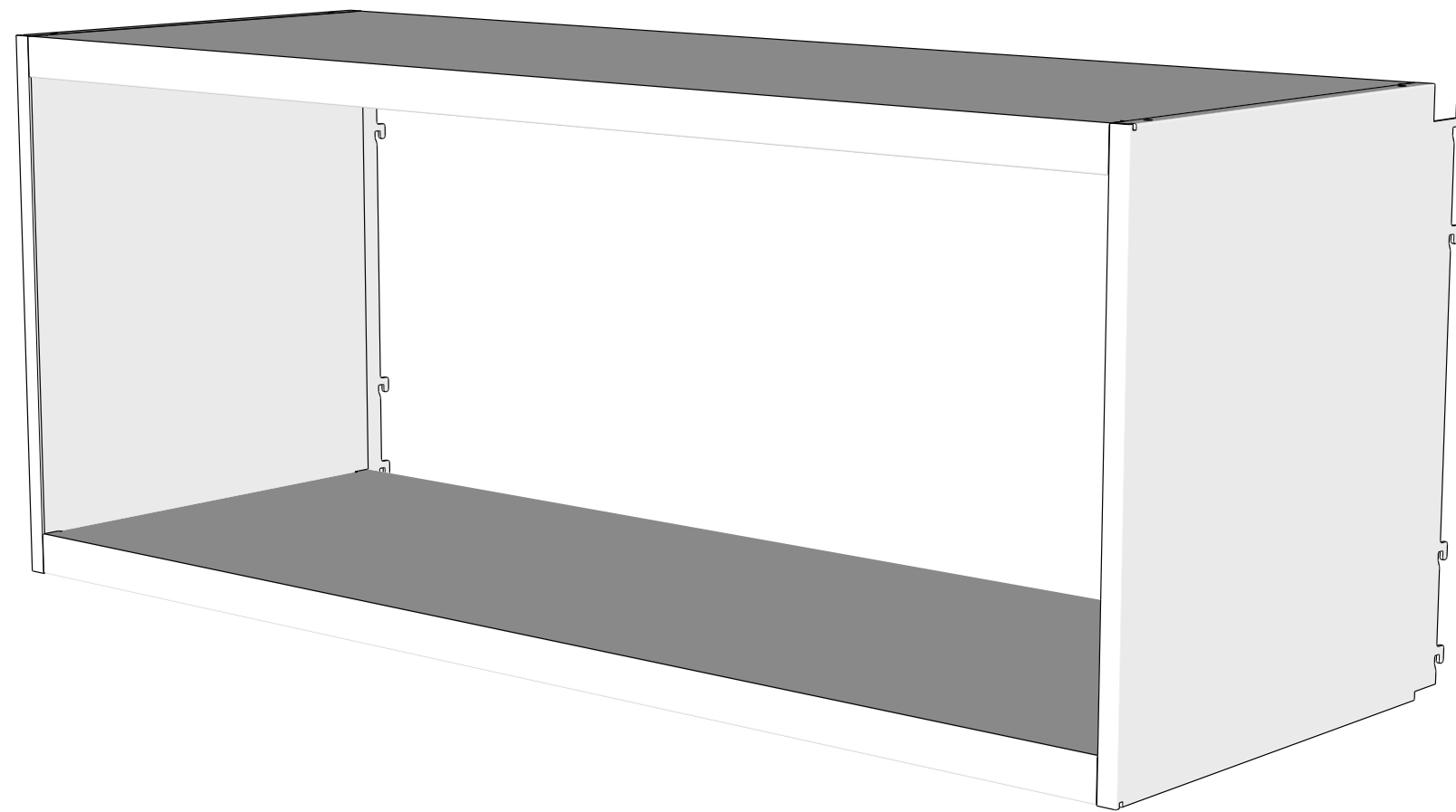
- PART NUMBER
- COLOR
- SEAT CUSHION FABRIC



WIDTH	HEIGHT	DEPTH	PART NUMBER	LIST PRICE
24"	14.5"	12.5"	X3-SLF-R-24-?	\$185
30"	14.5"	12.5"	X3-SLF-R-30-?	\$200
36"	14.5"	12.5"	X3-SLF-R-36-?	\$200
48"	14.5"	12.5"	X3-SLF-R-48-?	\$210
60"	14.5"	12.5"	X3-SLF-R-60-?	\$225



# FULL HEIGHT X3 SHELF W/ TOP



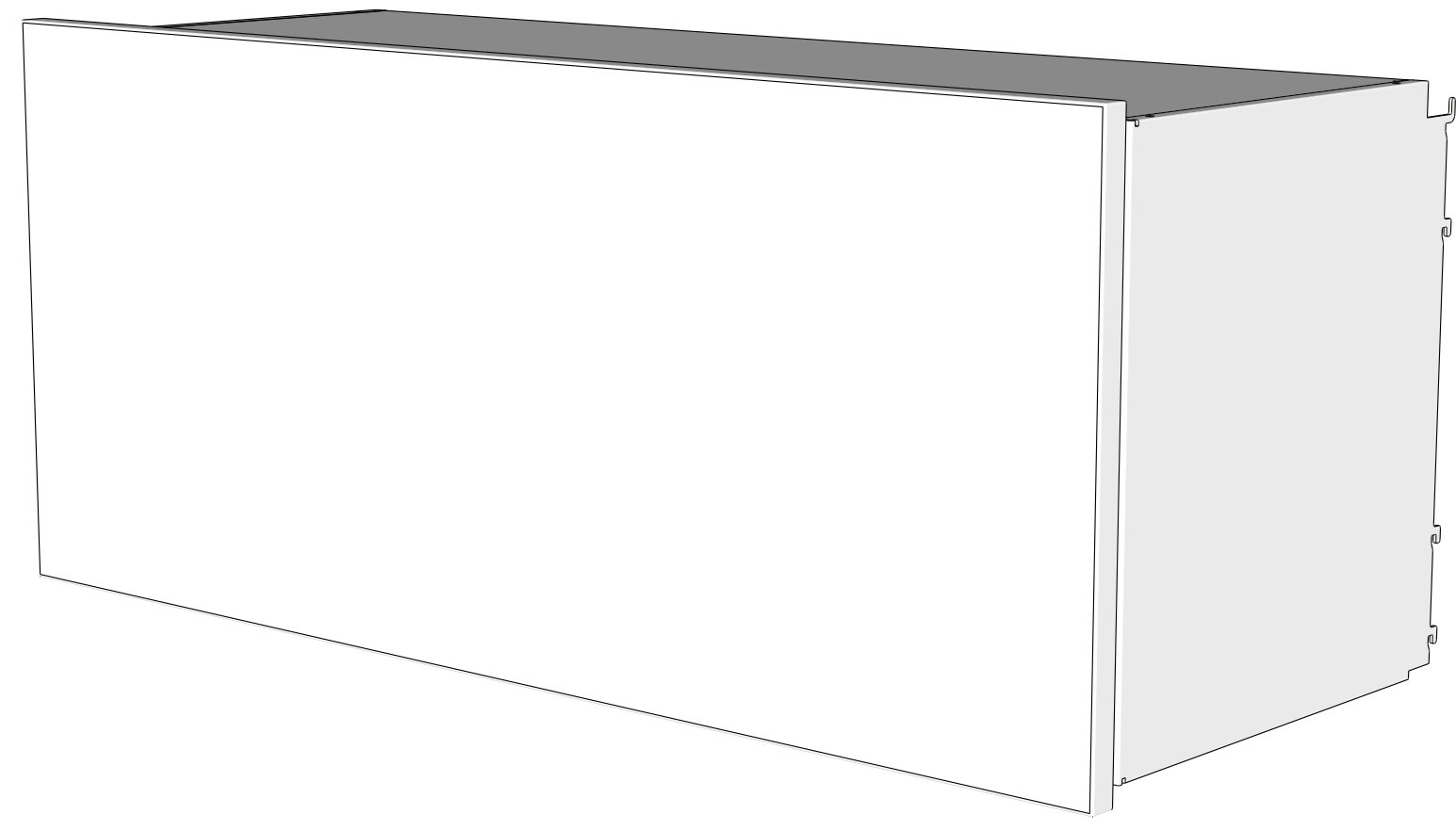
TO ORDER, SPECIFY:

- PART NUMBER
- COLOR

WIDTH	HEIGHT	DEPTH	PART NUMBER	LIST PRICE
24"	14.5"	12.5"	X3-SLF-O-24-?	\$245
30"	14.5"	12.5"	X3-SLF-O-30-?	\$270
36"	14.5"	12.5"	X3-SLF-O-36-?	\$270
48"	14.5"	12.5"	X3-SLF-O-48-?	\$295
60"	14.5"	12.5"	X3-SLF-O-60-?	\$325



# FULL HEIGHT X3 SHELF W/ LAMINATE FLIPPER DOOR



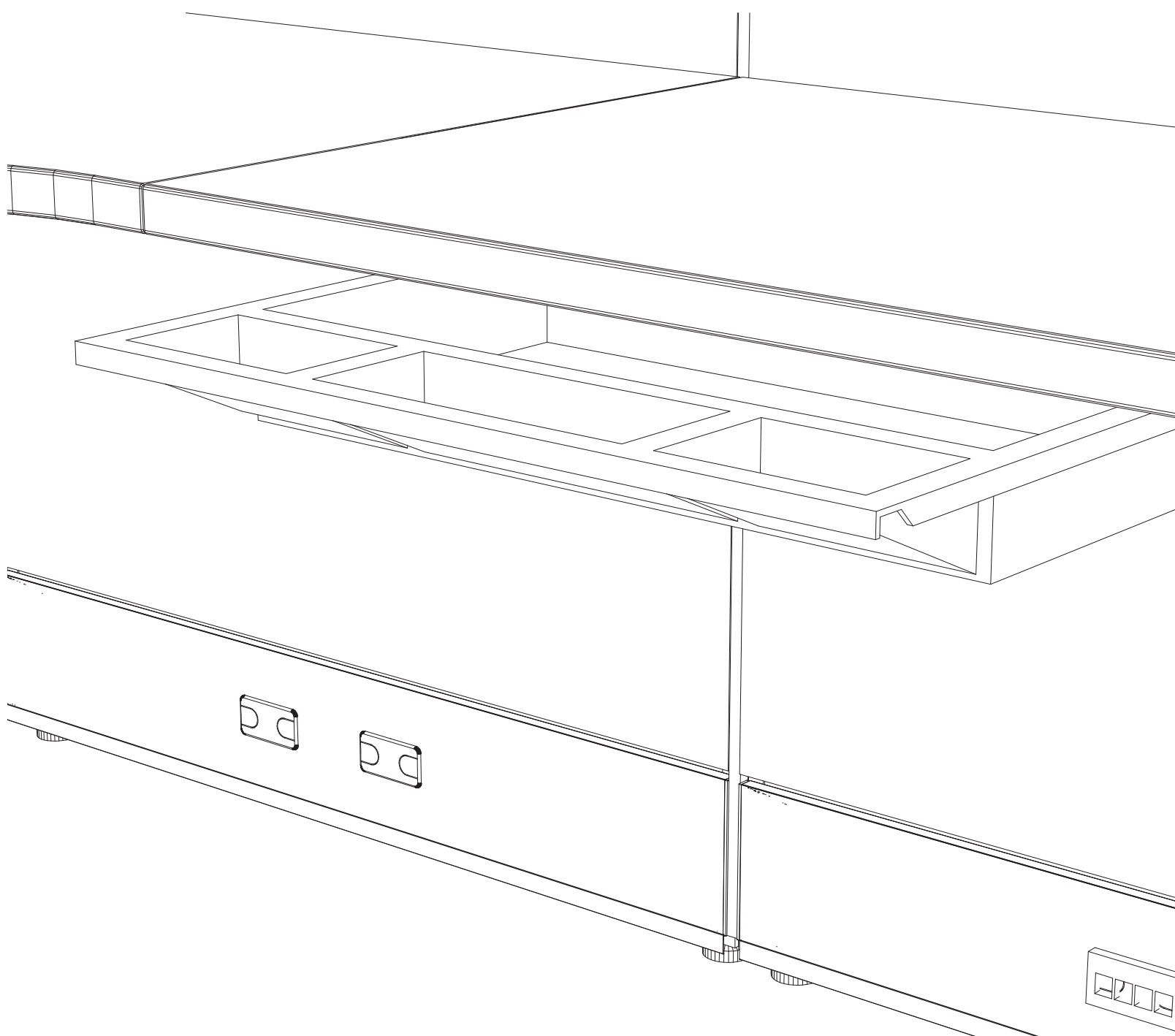
TO ORDER, SPECIFY:

- PART NUMBER
- COLOR

WIDTH	HEIGHT	DEPTH (INCLUDING DOOR)	PART NUMBER	LIST PRICE
24"	14.5"	13.5"	X3-SLF-FDL-24-?	\$400
30"	14.5"	13.5"	X3-SLF-FDL-30-?	\$460
36"	14.5"	13.5"	X3-SLF-FDL-36-?	\$460
48"	14.5"	13.5"	X3-SLF-FDL-48-?	\$515
60"	14.5"	13.5"	X3-SLF-FDL-60-?	\$615



# PENCIL DRAWER



**NOTES:**

- PENCIL DRAWER ONLY AVAILABLE IN GRAPHITE

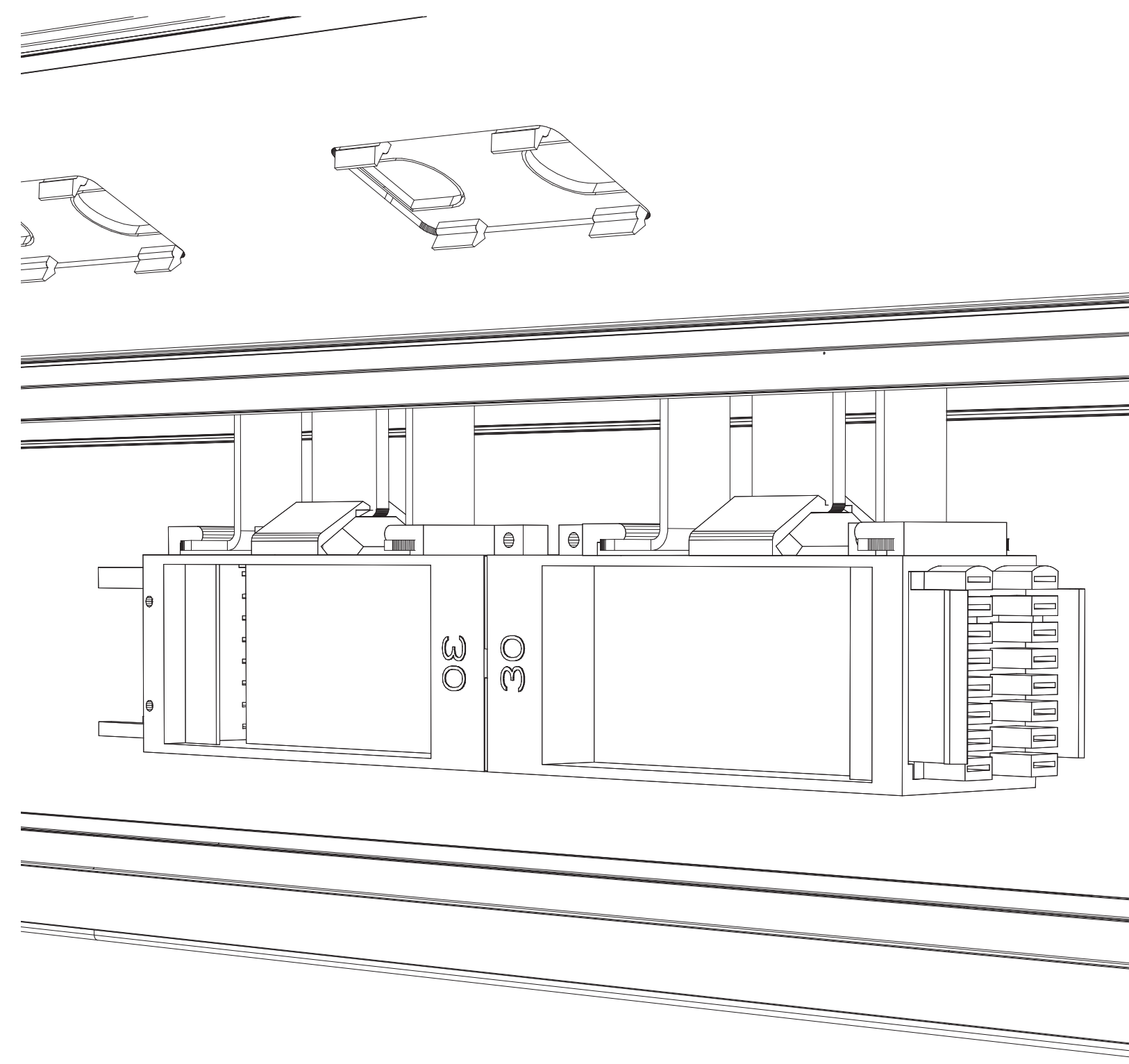
**TO ORDER, SPECIFY:**

- PART NUMBER

WIDTH	HEIGHT	DEPTH	COLOR	PART NUMBER	LIST PRICE
20.5"	3"	15"	GRAPHITE	X-PD-GR	\$65



# X3 DOUBLE POWER BLOCK



**FEATURES:**

- ATTACHMENT HOOKS ARE PRE-MOUNTED
- EASY SLIDE AND SNAP INSTALL
- INSTALL UP TO 4 DUPLEX RECEPTACLES

**TO ORDER, SPECIFY:**

- PART NUMBER

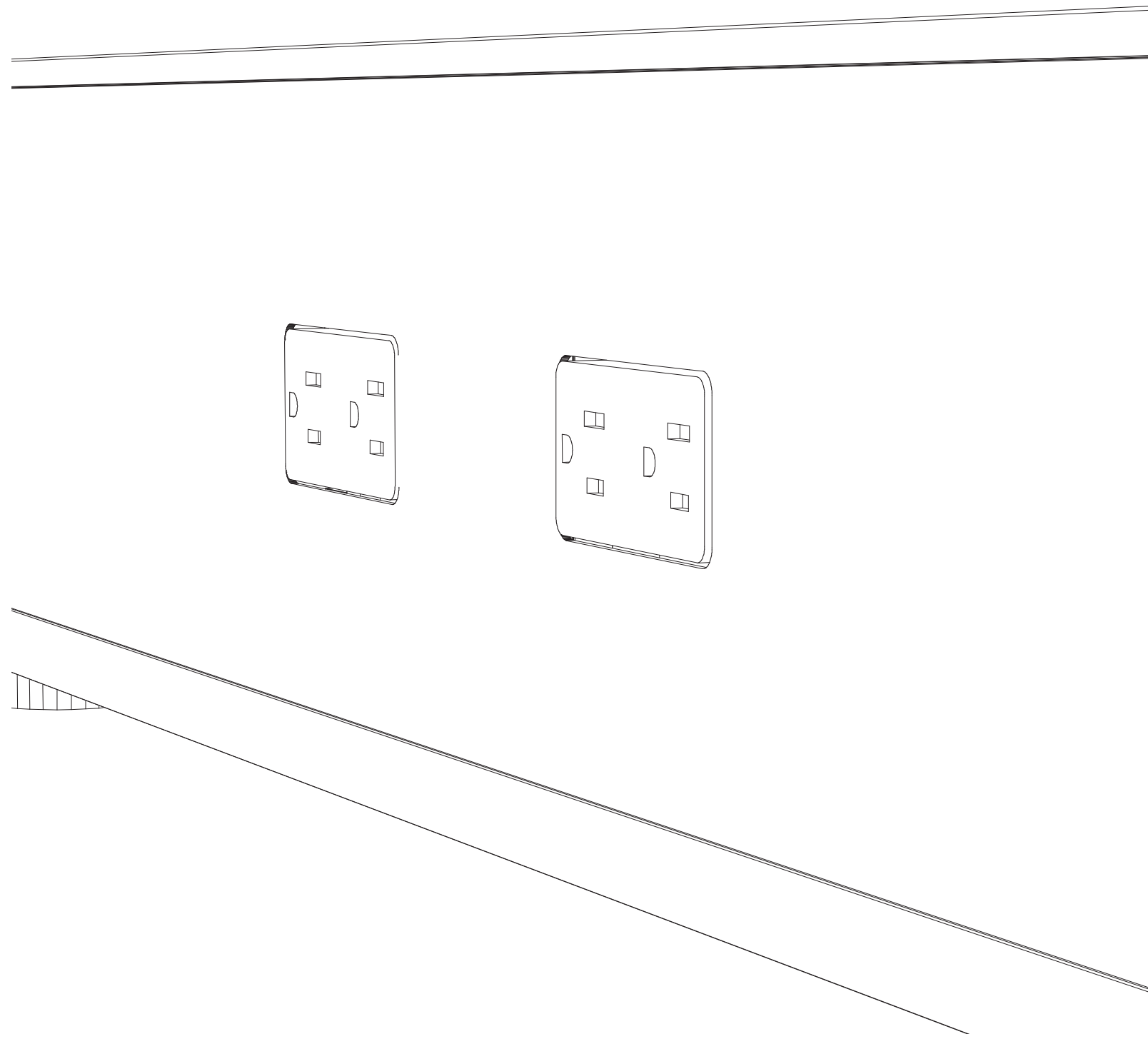
WIDTH	HEIGHT	DUPLEX OPENINGS	PART NUMBER	LIST PRICE
6"	2.5"	2	XE-BLK-DBL-1	\$145
10"	2.5"	4 (SHOWN ABOVE)	XE-BLK-DBL-2	\$200

**NOTES:**

- DUPLEX RECEPTACLES SPECIFIED SEPARATELY SEE PAGE-35



# X3 DUPLEX RECEPTACLES



## FEATURES:

- EASY SLIDE AND SNAP INSTALL
- RECEPTACLES FIT IN EXISTING CUTOUTS

## TO ORDER, SPECIFY:

- PART NUMBER
- COLOR

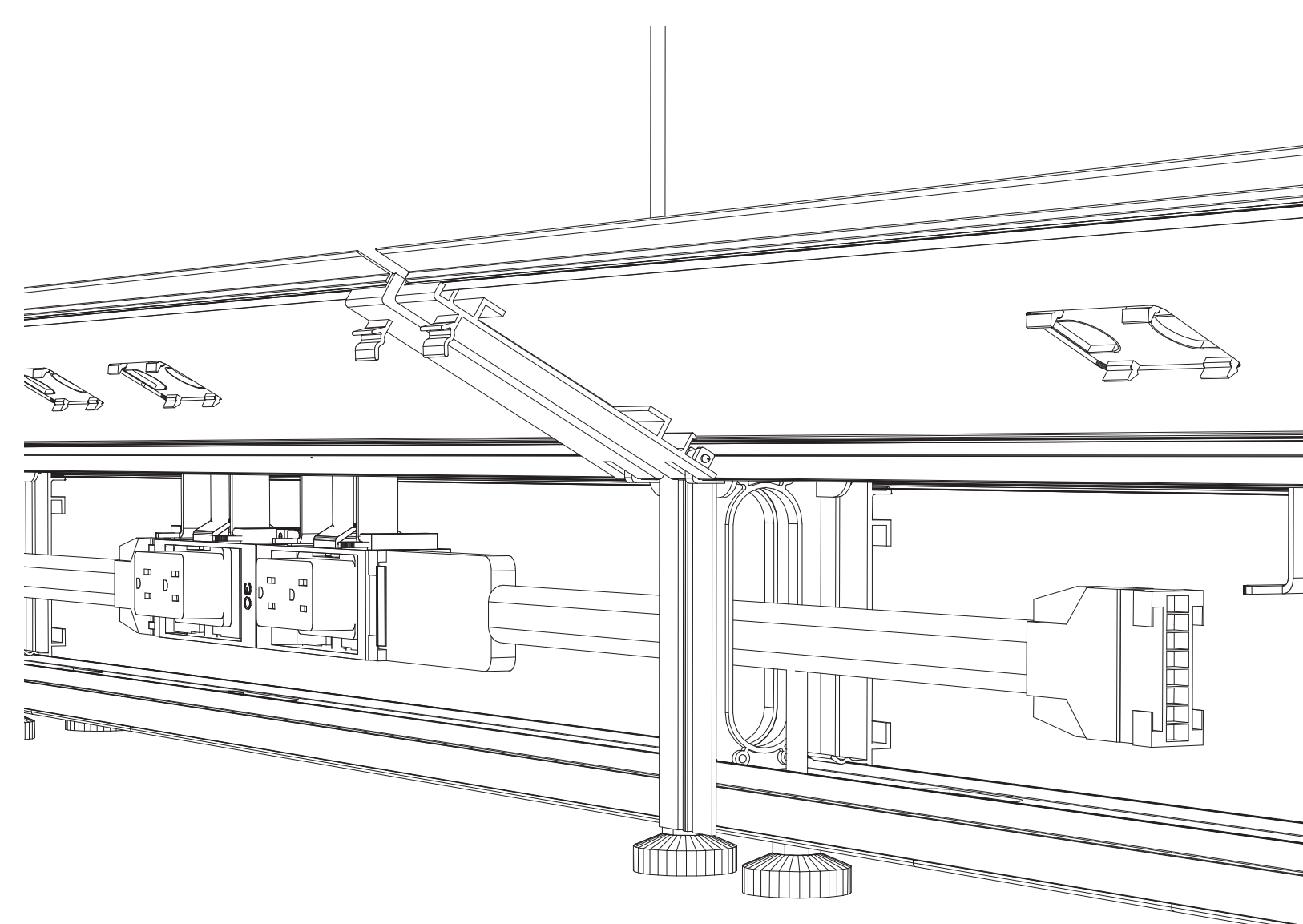
WIDTH	HEIGHT	CIRCUIT	PART NUMBER	LIST PRICE
2.6"	1.26"	CIRCUIT-1	XE-DPX-1-?	\$50
2.6"	1.26"	CIRCUIT-2	XE-DPX-2-?	\$50
2.6"	1.26"	CIRCUIT-3	XE-DPX-3-?	\$50
2.6"	1.26"	ISOLATED GROUND	XE-DPX-IG-?	\$50

## NOTES:

- CIRCUIT NUMBER IS CALLED OUT ON THE DUPLEX



# X3 MALE-MALE JUMPER



## FEATURES:

- WRAPPED IN FLEXIBLE METAL CONDUIT
- ADJUSTABLE BY UP TO 3"

## TO ORDER, SPECIFY:

- PART NUMBER
- LENGTH

LENGTH	PART NUMBER	LIST PRICE
16"	XE-JMP-MM-16	\$180
22"	XE-JMP-MM-22	\$195
28"	XE-JMP-MM-28	\$210
34"	XE-JMP-MM-34	\$220
40"	XE-JMP-MM-40	\$235
46"	XE-JMP-MM-46	\$245
52"	XE-JMP-MM-52	\$275
58"	XE-JMP-MM-58	\$275
64"	XE-JMP-MM-64	\$305
70"	XE-JMP-MM-70	\$320
76"	XE-JMP-MM-76	\$335
82"	XE-JMP-MM-82	\$350
88"	XE-JMP-MM-88	\$365
94"	XE-JMP-MM-94	\$375
100"	XE-JMP-MM-100	\$395
106"	XE-JMP-MM-106	\$410
112"	XE-JMP-MM-112	\$425



LENGTH	PART NUMBER	LIST PRICE
118"	XE-JMP-MM-118	\$435
124"	XE-JMP-MM-124	\$455
130"	XE-JMP-MM-130	\$470
136"	XE-JMP-MM-136	\$480
142"	XE-JMP-MM-142	\$495
148"	XE-JMP-MM-148	\$510
154"	XE-JMP-MM-154	\$525
160"	XE-JMP-MM-160	\$535

## X3 MALE-MALE JUMPER CONNECTOR / SPLITTER

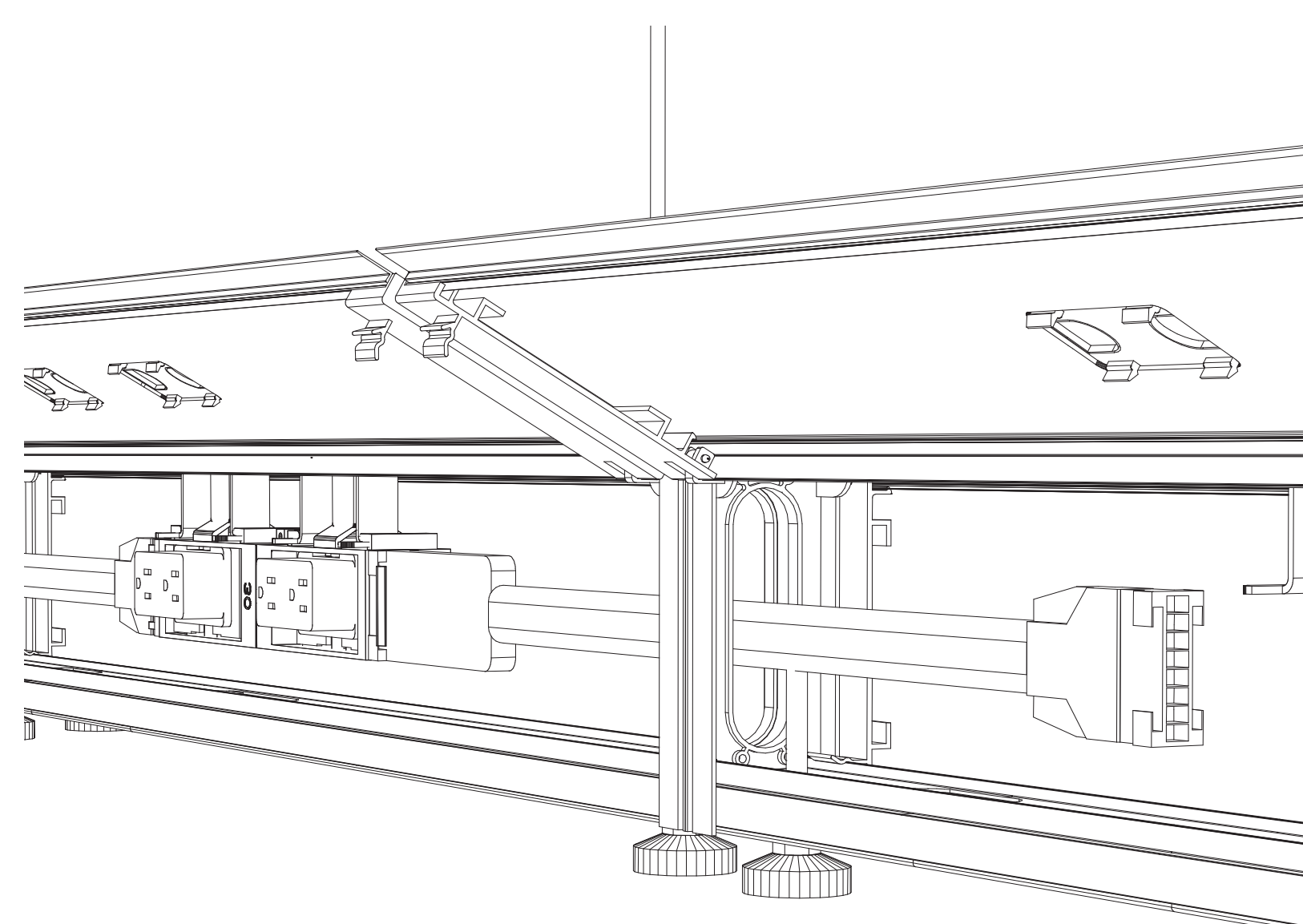
TO ORDER, SPECIFY:

- PART NUMBER

DESCRIPTION	PART NUMBER	LIST PRICE
CONNECTOR USED TO CONNECT MALE-MALE POWER JUMPERS OR SPLIT THEM OFF IN TWO DIRECTIONS	XE-MM-CNTR	\$65



# X3 FEMALE-MALE JUMPER EXTENSION



## FEATURES:

- WRAPPED IN FLEXIBLE METAL CONDUIT
- ADJUSTABLE BY UP TO 3"

## TO ORDER, SPECIFY:

- PART NUMBER
- LENGTH

LENGTH	PART NUMBER	LIST PRICE
12"	XE-JMP-FM-12	\$175
18"	XE-JMP-FM-18	\$185
24"	XE-JMP-FM-24	\$200
30"	XE-JMP-FM-30	\$215
36"	XE-JMP-FM-36	\$225
42"	XE-JMP-FM-42	\$240
48"	XE-JMP-FM-48	\$250
54"	XE-JMP-FM-54	\$280
60"	XE-JMP-FM-60	\$280
66"	XE-JMP-FM-66	\$310
72"	XE-JMP-FM-72	\$325
78"	XE-JMP-FM-78	\$340
84"	XE-JMP-FM-84	\$355
90"	XE-JMP-FM-90	\$370
96"	XE-JMP-FM-96	\$380



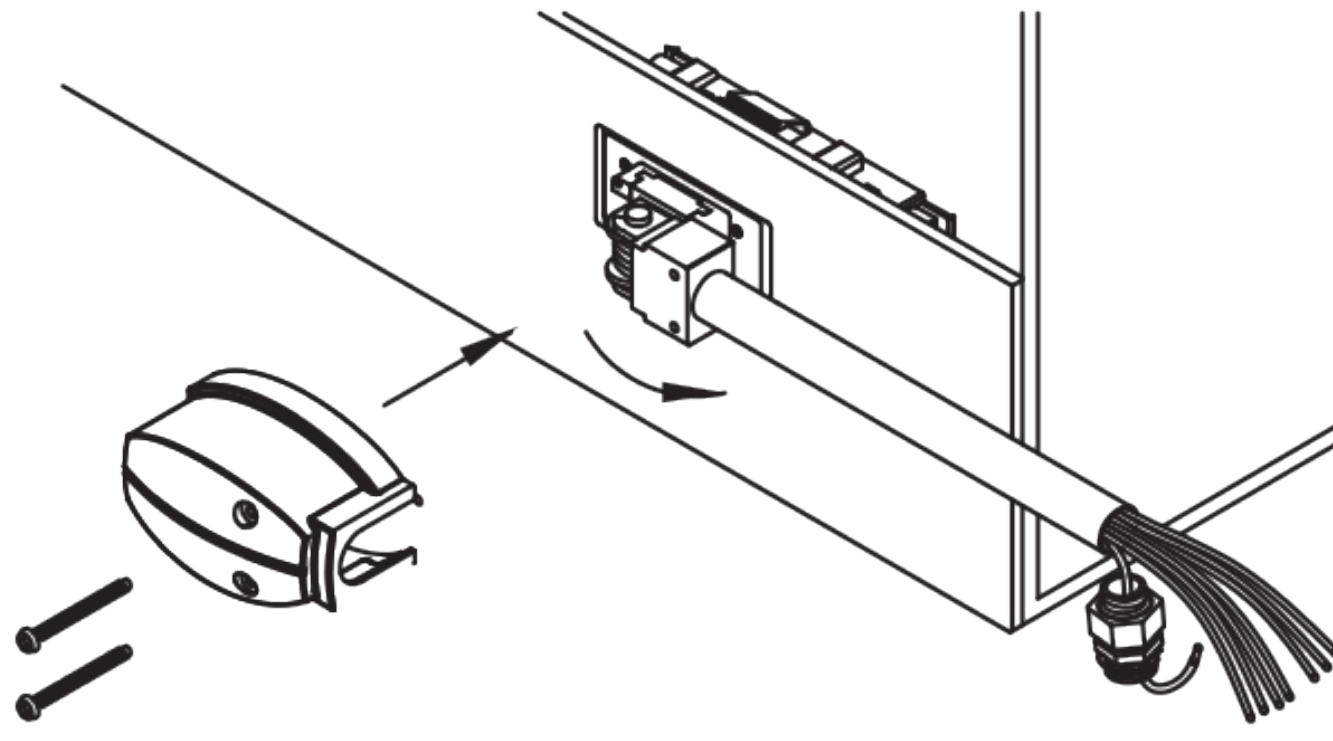
## X3 BASE INFEEED ( SIDE CONNECTION )

**FEATURES:**

- WRAPPED IN LIQUID TIGHT CONDUIT

**TO ORDER, SPECIFY:**

- PART NUMBER



LENGTH	PART NUMBER	LIST PRICE
60"	XE-BFM-60	\$400

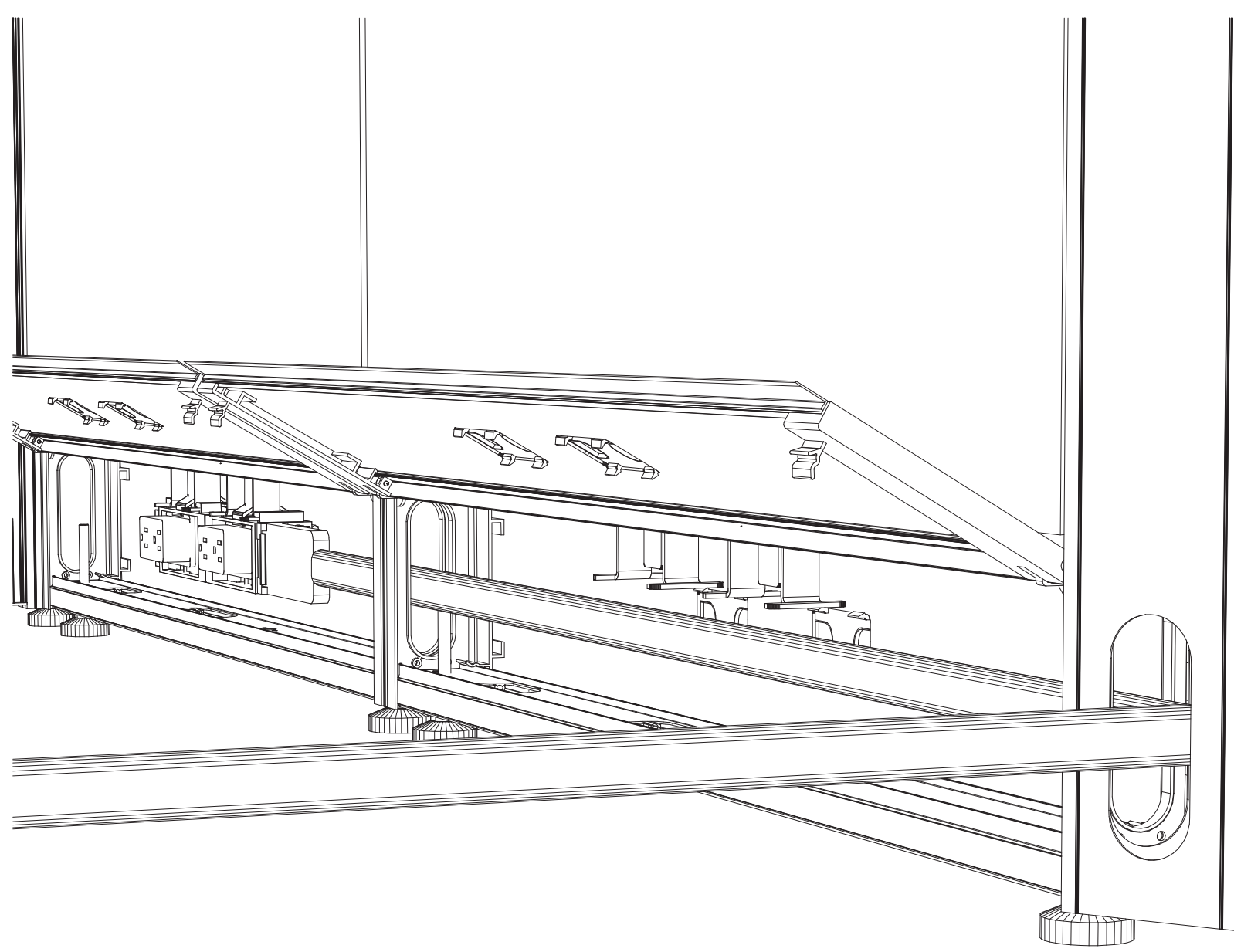
## X3 BASE INFEEED ( INSIDE CONNECTION )

**FEATURES:**

- WRAPPED IN LIQUID TIGHT CONDUIT

**TO ORDER, SPECIFY:**

- PART NUMBER
- LENGTH



LENGTH	PART NUMBER	LIST PRICE
60"	XE-BFM-60	\$345
96" (SHOWN ABOVE)	XE-BFM-96	\$460

**NOTES:**

- 60" BASEFEED USED TO INSTALL INTO PANEL WITH MOUNTED POWER BLOCK
- 96" BASEFEED USED TO JUMP A SINGLE PANEL THEN INSTALL INTO PANEL WITH MOUNTED POWER BLOCK (SHOWN ABOVE)





# EZcube 2-WAY TOP FEED



## FEATURES:

- INCLUDES 47" 2-WAY X31 POST
- MULTIPLE INFEED LENGTHS TO JUMP PANEL

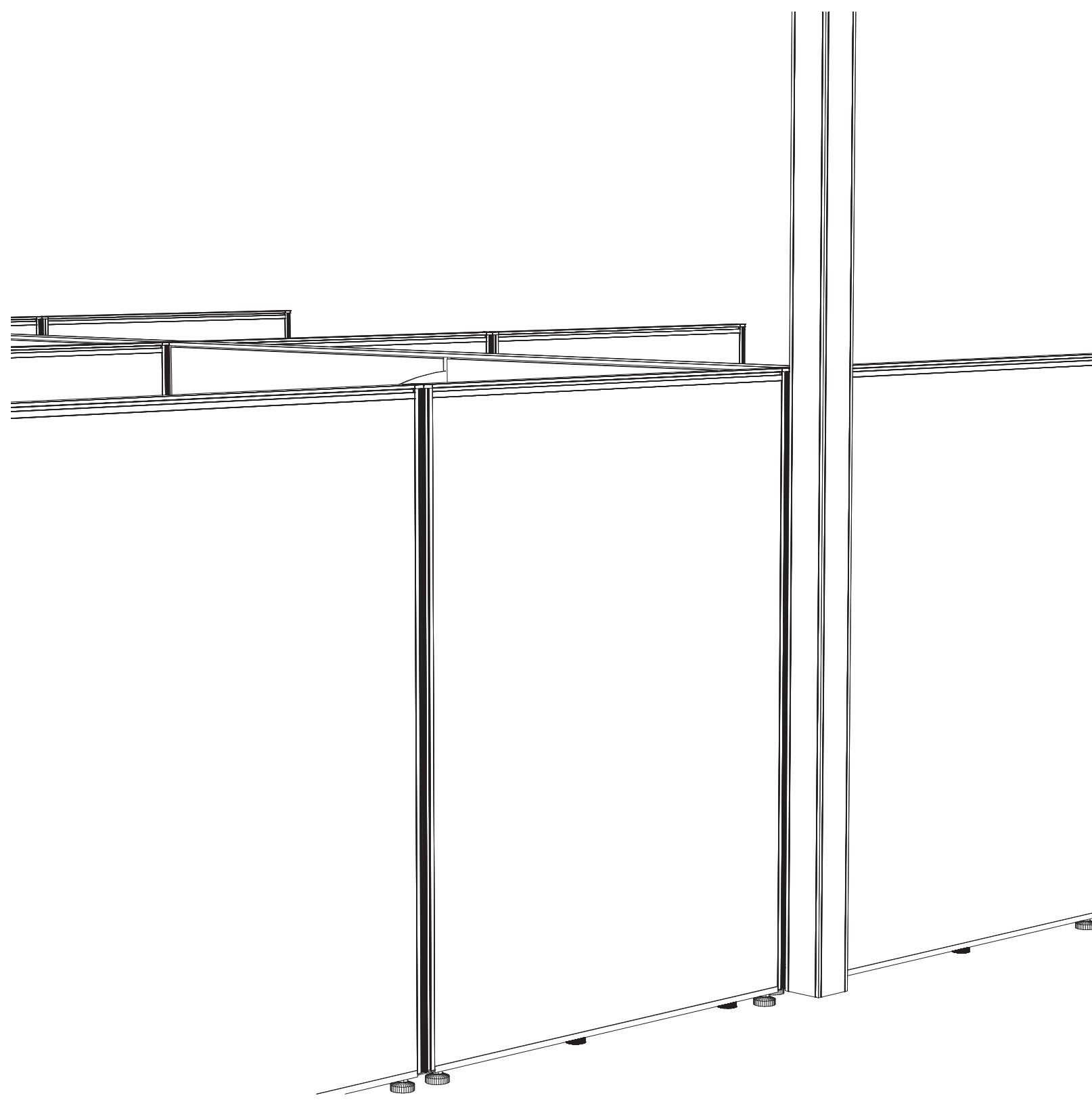
## TO ORDER, SPECIFY:

- PART NUMBER
- HEIGHT
- WIRE HARNESS LENGTH
- COLOR

HEIGHT	CONNECTION	WIRE HARNESS LENGTH	PART NUMBER	LIST PRICE
10'	2-WAY (47")	144"	XE-TFM-2-47-10-144-?	\$1555
10'	2-WAY (47")	180"	XE-TFM-2-47-10-180-?	\$1650
14'	2-WAY (47")	180"	XE-TFM-2-47-14-180-?	\$1815
10'	2-WAY (65")	144"	XE-TFM-2-65-10-144-?	\$1555
10'	2-WAY (65")	180"	XE-TFM-2-65-10-180-?	\$1650
14'	2-WAY (65")	180"	XE-TFM-2-65-14-180-?	\$1815



# EZcube 3-WAY TOP FEED



**FEATURES:**

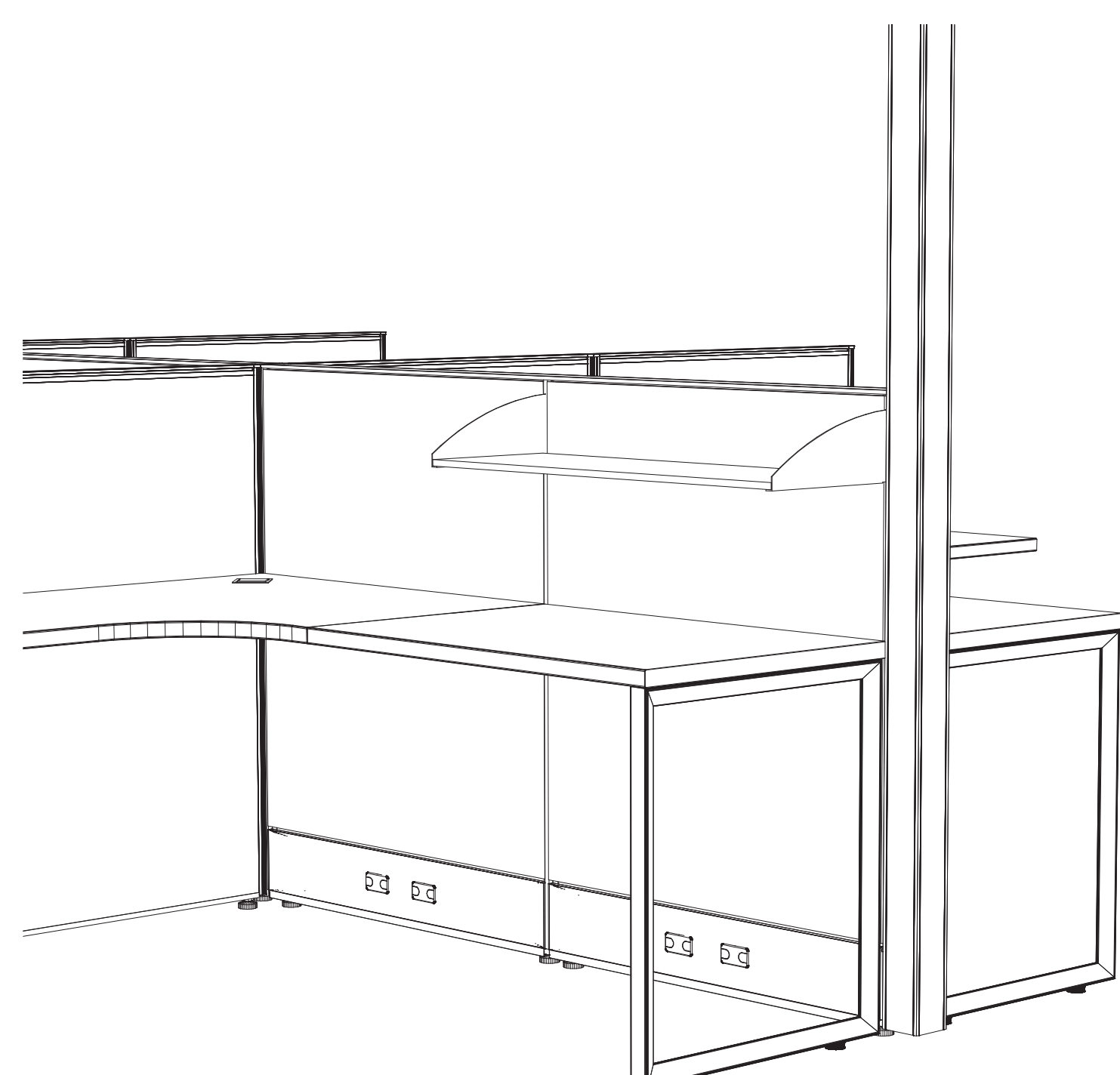
- INCLUDES 47" 3-WAY X31 POST
- MULTIPLE INFEEED LENGTHS TO JUMP PANEL

**TO ORDER, SPECIFY:**

- PART NUMBER
- HEIGHT
- WIRE HARNESS LENGTH
- COLOR

HEIGHT	CONNECTION	WIRE HARNESS LENGTH	PART NUMBER	LIST PRICE
10'	3-WAY (47")	144"	XE-TFM-3-47-10-144-?	\$1555
10'	3-WAY (47")	180"	XE-TFM-3-47-10-180-?	\$1650
14'	3-WAY (47")	180"	XE-TFM-3-47-14-180-?	\$1815
10'	3-WAY (65")	144"	XE-TFM-3-65-10-144-?	\$1555
10'	3-WAY (65")	180"	XE-TFM-3-65-10-180-?	\$1650
14'	3-WAY (65")	180"	XE-TFM-3-65-14-180-?	\$1815

# EZcube / EZcube PLUS END-OF-RUN TOP FEED



## FEATURES:

- MULTIPLE INFEEED LENGTHS TO JUMP PANEL

## TO ORDER, SPECIFY:

- PART NUMBER
- HEIGHT
- WIRE HARNESS LENGTH
- COLOR

HEIGHT	CONNECTION	WIRE HARNESS LENGTH	PART NUMBER	LIST PRICE
10'	END-OF-RUN (47")	144"	XE-TFM-EOR-47-10-144-?	\$1360
10'	END-OF-RUN (47")	180"	XE-TFM-EOR-47-10-180-?	\$1455
14'	END-OF-RUN (47")	180"	XE-TFM-EOR-47-14-180-?	\$1620
10'	END-OF-RUN (47")	144"	XE-TFM-EOR-65-10-144-?	\$1360
10'	END-OF-RUN (47")	180"	XE-TFM-EOR-65-10-180-?	\$1455
14'	END-OF-RUN (47")	180"	XE-TFM-EOR-65-14-180-?	\$1620



# EZcube PLUS X3 POST TOP FEED

**FEATURES:**

- CONNECTS THROUGH TOP OF X3 POST
- MULTIPLE INFEEED LENGTHS TO JUMP PANEL

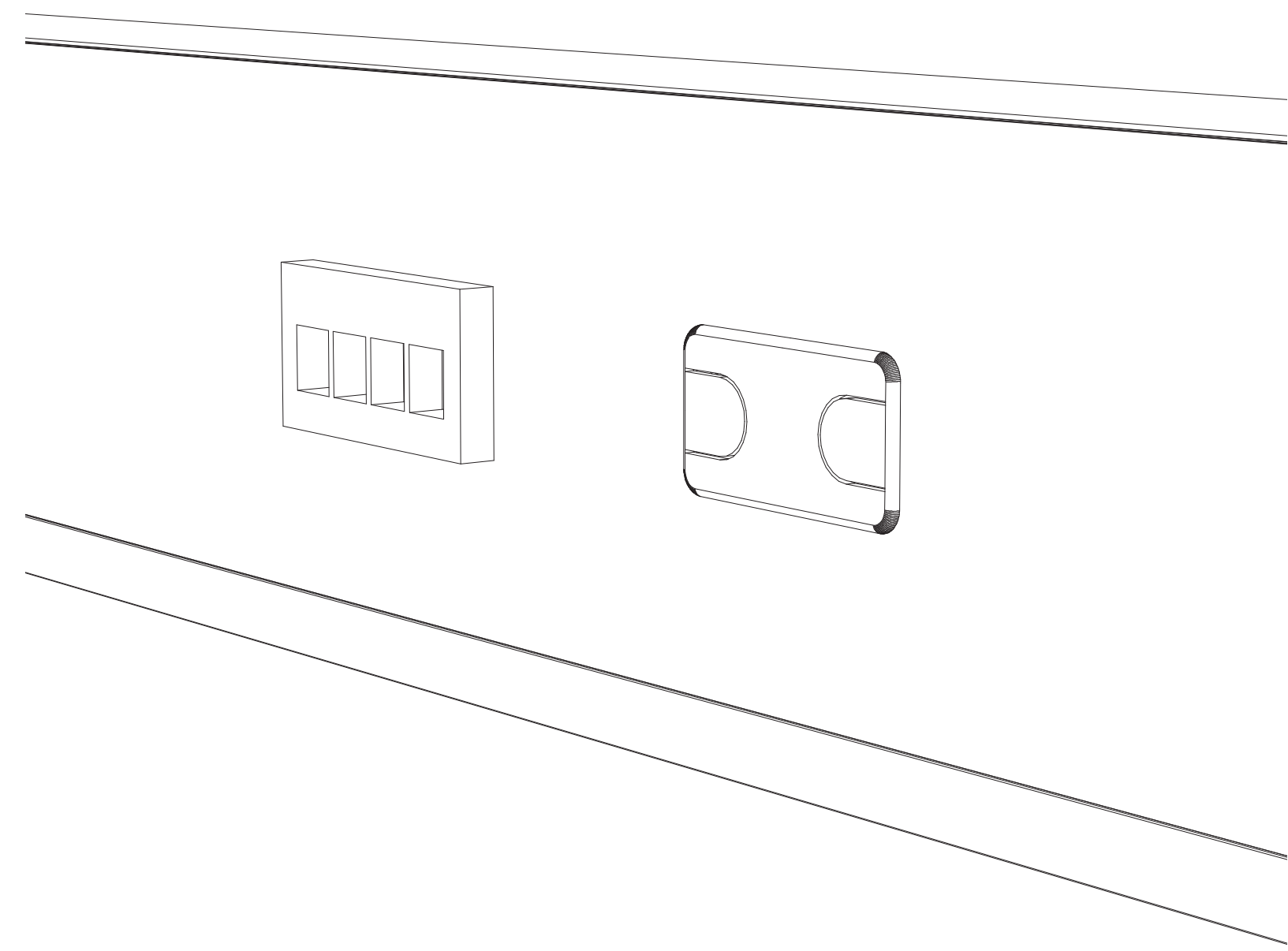
**TO ORDER, SPECIFY:**

- PART NUMBER
- HEIGHT
- WIRE HARNESS LENGTH
- COLOR

HEIGHT	CONNECTION	WIRE HARNESS LENGTH	PART NUMBER	LIST PRICE
10'	47" POST CONNECTION	144"	X3-TFM-47-10-144-?	\$1000
10'	47" POST CONNECTION	180"	X3-TFM-47-10-180-?	\$1100
14'	47" POST CONNECTION	180"	X3-TFM-47-14-180-?	\$1815
10'	65" POST CONNECTION	144"	X3-TFM-65-10-144-?	\$1000
10'	65" POST CONNECTION	180"	X3-TFM-65-10-180-?	\$1100
14'	65" POST CONNECTION	180"	X3-TFM-65-14-180-?	\$1815



# DATA PLATE



**FEATURES:**

- GREY COLOR TO MATCH THE PANELS
- SNAPS INTO THE EXISTING KNOCKOUT ON THE X3 BASEPLATE

**TO ORDER, SPECIFY:**

- PART NUMBER
- COLOR

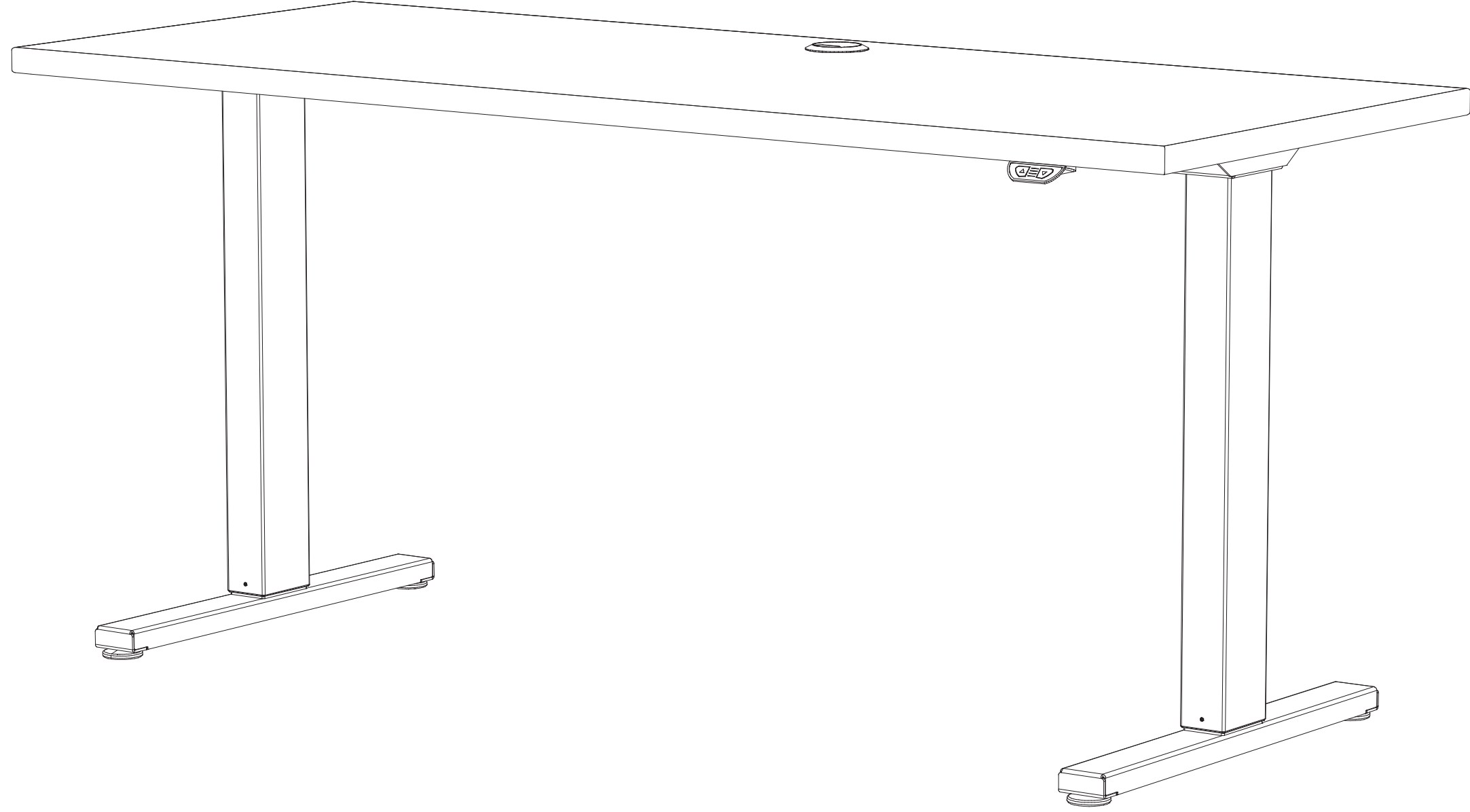
DESCRIPTION	PART NUMBER	LIST PRICE
EMPTY LEVITON DATA PLATE WITH FOUR OPEN SLOTS	XE-DATA-PLATE-?	\$25

**NOTES:**

- DATA PLATE ONLY AVAILABLE IN SILVER



# PIVOT HEIGHT ADJUSTABLE BASE



**FEATURES:**

- UP/DOWN HANDSWITCH
- PROGRAMABLE SIT/STAND POSITION
- DUAL MOTOR
- MADE IN U.S.

**TO ORDER, SPECIFY:**

- PART NUMBER
- PAINT COLOR

\*TOP SPECIFIED SEPARATELY

DESCRIPTION	PART NUMBER	LIST PRICE
DUAL MOTOR HEIGHT ADJUSTABLE BASE WITH PROGRAMMABLE HANDSET	TT-PIVOT	\$1250
SUPPORT BAR FOR SURFACES 60"-72"	X-SPRT-54	\$140

**NOTES:**

- SURFACES 60"-72" REQUIRE A SUPPORT CHANNEL
- ONLY AVAILABLE IN METALLIC SILVER



## TERMS & CONDITIONS

**COMMON CARRIER SHIPMENT:** ALL PRODUCTS ARE SOLD FROM OUR CHANDLER, AZ LOCATION. WE WILL ARRANGE FREIGHT IF THE BUYER DOES NOT HAVE A DISCOUNT SCHEDULE WITH A PREFERRED FREIGHT COMPANY. WE WILL PREPAY THE FREIGHT AND BILL THE BUYER ACCORDING TO OUR STANDARD FREIGHT POLICY (SEE RSI FREIGHT POLICY ON PAGE-2).

**EXCLUSIVE SHIPPING PROCEDURES:** THE ARRIVAL TIME FOR ANY SHIPMENT SENT VIA EXCLUSIVE CARRIER WILL BE GUARANTEED TO WITHIN A ONE-HOUR WINDOW OF THE REQUESTED TIME. NEITHER RSI NOR THE CARRIER WILL BE HELD RESPONSIBLE FOR TRUCKS THAT ARE DELAYED DUE TO ACTS OF PUBLIC AUTHORITY, MECHANICAL DIFFICULTIES, ILLNESS OR INCAPACITATION, WEATHER RELATED DELAYS, TRAFFIC ACCIDENT OR ROAD CONDITIONS CAUSING EXTRAORDINARY TRAFFIC DELAYS. EXCLUSIVE TRUCKS MUST BE UNLOADED WITHIN TWO HOURS OF ARRIVAL OR FREIGHT WAITING CHARGES MAY BE ASSESSED.

**INSPECTION:** (A) BUYER IS RESPONSIBLE TO HAVE QUALIFIED PERSONNEL AVAILABLE TO RECEIVE AND INSPECT THE GOODS. (B) ANY DAMAGE IN TRANSIT MUST BE NOTED ON THE BILL OF LADING TO ENABLE FILING AND COLLECTION OF CLAIM FROM THE CARRIER. FAILURE TO NOTE SHIPPING DAMAGE WILL RESULT IN THE DENIAL OF COMPENSATION BY THE CARRIER AND WILL BE THE RESPONSIBILITY OF THE BUYER TO PAY FOR REPLACEMENT GOODS. IT IS THE BUYER'S RESPONSIBILITY TO FILE ANY AND ALL DAMAGE/SHORTAGE CLAIMS WITH THE FREIGHT CARRIER; HOWEVER RSI WILL BE HAPPY TO ASSIST THE BUYER IN THIS PROCESS. (C) SHORTAGES MUST BE REPORTED TO RSI WITHIN 48 HOURS OF RECEIPT OF SHIPMENT OR THE BUYER WILL BE RESPONSIBLE FOR PAYMENT FOR REPLACEMENT GOODS.

**ORDER CHANGES AND CANCELLATIONS:** ANY CHANGES/CANCELLATIONS PRIOR TO FINAL PRODUCTION OF ORDER MUST BE SUBMITTED FOR APPROVAL. IF APPROVED, BUYER WILL BE HELD RESPONSIBLE FOR ALL LABOR AND MATERIAL COSTS INCURRED PRIOR TO THE CHANGE AND/OR CANCELLATION. CHANGES OR CANCELLATIONS AFTER FINAL PRODUCTION OF THE ORDER BUT PRIOR TO SHIPMENT FALL UNDER THE "RETURNS" SECTION BELOW. THERE IS NO FINANCIAL PENALTY FOR ADDITIONS TO ORDERS; HOWEVER, ANY CHANGE MAY CAUSE THE ORDER TO BE RESCHEDULED AND MAY EFFECT LEAD TIME.

**TERMS:** NEW BUYERS WILL BE REQUIRED TO ACCOMPANY ORDERS WITH A 50% DEPOSIT. IN ADDITION, ALL ORDERS IN EXCESS OF \$10,000 WILL REQUIRE A 50% DEPOSIT AND ORDERS FROM EXISTING BUYERS WHICH CAUSE THAT BUYER TO EXCEED THEIR CREDIT LIMIT WILL REQUIRE A DEPOSIT EQUAL TO THE AMOUNT BY WHICH THE NEW ORDER CAUSES THE BUYER'S BALANCE TO EXCEED THEIR CREDIT LIMIT. NO MATERIAL WILL BE ORDERED OR WORK PERFORMED ON AN ORDER UNTIL A WRITTEN PURCHASE ORDER AND THE REQUIRED DEPOSIT HAVE BEEN RECEIVED. THE INVOICE AMOUNT LESS ANY DEPOSIT IS DUE 30 DAYS FROM DATE OF INVOICE UNLESS OTHERWISE SPECIFIED. SALES WILL BE INVOICED UPON COMPLETION OF PRODUCTION. DELIVERY DELAYS REQUESTED BY THE BUYER WILL NOT ALTER THE 30-DAY PAYMENT TERMS.

**PRICING:** PRICES QUOTED WILL BE VALID FOR 30 DAYS FROM THE DATE OF QUOTATION.

**FINANCING:** FINANCE CHARGES WILL BE ASSESSED ON ALL ACCOUNT BALANCES OVER THIRTY (30) DAYS PAST THE DATE OF INVOICE AT A RATE OF 1-1/2% PER MONTH (18% PER ANNUM). RSI RESERVES THE RIGHT TO PROCEED WITH LEGAL ACTION OR TURN THE ACCOUNT OVER TO AN AGENCY FOR COLLECTION ON ANY ACCOUNT BALANCE PAST 60 DAYS FROM THE DATE OF INVOICE. WE WILL GIVE THE BUYER NOTICE PRIOR TO THIS ACTION SO THE BUYER MAY AVOID PAYING ANY LEGAL, COLLECTION OR HANDLING COSTS INCURRED IN RECOVERING THE MERCHANDISE OR COLLECTION OF THE DEBT (BUYER AGREES TO PAY ALL THESE COLLECTION COSTS INCLUDING REASONABLE ATTORNEY FEES).

**RETURNS:** ALL PRODUCTS ARE CUSTOM MANUFACTURED FOR THE BUYER. THE COMPANY MAINTAINS NO FINISHED GOODS INVENTORY. RETURN SHIPMENTS ARE NOT ACCEPTED UNLESS SPECIFICALLY AUTHORIZED BY THE COMPANY ON A RETURNED GOODS AUTHORIZATION FORM. IF THE COMPANY APPROVES A PRODUCT RETURN AND BUYER RETURNS THE GOODS AT ITS EXPENSE, BUYER WILL RECEIVE A CREDIT RANGING FROM 10% - 40% OF THE ORIGINAL SALE AMOUNT DEPENDENT UPON THE ITEMS RETURNED. MERCHANDISE MUST BE RECEIVED IN NEW CONDITION. NO CREDIT WILL BE ISSUED FOR DAMAGED PRODUCTS. ALL RETURNS MUST BE MADE WITHIN 30 DAYS AFTER RETURN AUTHORIZATION IS ISSUED.

**EZcube WARRANTY:** EZcube IS WARRANTIED FOR MATERIAL AND WORKMANSHIP FOR LIFETIME TO ORIGINAL PURCHASER FOR ANY DEFECTS IN WORKMANSHIP AND/OR MATERIALS. UL ELECTRICAL GUIDELINES FOR APPLICATION OF POWERED PANELS MUST BE STRICTLY ADHERED TO. WE RESERVE THE RIGHT TO INSPECT THE INSTALLATION AND PERFORM ANY OR ALL LABOR ON WARRANTY WORK. PRODUCT MISUSE, ABUSE, OR FAILURE TO ADHERE TO THE GUIDELINES OUTLINED WILL VOID ALL WARRANTIES IMPLIED OR EXPRESSED.

**OTHER PRODUCT WARRANTY:** ALL OTHER MANUFACTURERS' WILL BE WARRANTIED BASED ON THE MANUFACTURER'S WARRANTIES.

**FURNITURE PERFORMANCE:** PROPER USE AND LOADING OF THE FURNITURE IS REQUIRED FOR MAXIMUM PERFORMANCE AND LIFESPAN. STANDING OR SITTING ON WORKSURFACES WILL GENERALLY EXCEED LOAD CAPACITY, AND DAMAGE CAUSED AS A RESULT OF SITTING OR STANDING ON THE FURNITURE WILL NOT BE COVERED UNDER WARRANTY.

### ELECTRICAL:

EZcube ELECTRICAL SYSTEM IS UL RECOGNIZED AS AN OFFICE FURNISHING ACCESSORY (UL 1286), AND IS UL LISTED AS A MANUFACTURED WIRING SYSTEM (UL 183) IN FULL COMPLIANCE WITH ELECTRICAL SPECIFICATIONS FOUND IN THE NATIONAL ELECTRICAL CODE (NEC). IT ALSO COMPLIES WITH MUNICIPAL STANDARDS SUCH AS NEW YORK, LOS ANGELES & SAN FRANCISCO.

THE EZcube ELECTRICAL SYSTEM IS RATED FOR 20 AMPS ALLOWING THE USE OF 4 CIRCUITS WITH 4 LINE CONDUCTORS, 2 NEUTRALS AND 2 GROUNDS. UNDER NEC REQUIREMENTS, UP TO 13 DUPLEX RECEPTACLES MAY BE USED PER CIRCUIT, WITH A TOTAL OF 52 AVAILABLE RECEPTACLES IF ALL CIRCUITS ARE USED, PER SINGLE POWER ENTRY. THE LINE CONDUCTORS ARE 12 AWG, AND SHARE A 12 AWG GROUND AND A 10AWG NEUTRAL. THE FOURTH CIRCUIT IS ISOLATED AND DEDICATED, AND IS SERVICED BY ITS OWN LINE CONDUCTOR, NEUTRAL AND ISOLATED GROUND.

APPLIANCES, SUCH AS LARGE COPIERS, COFFEE MACHINES, SPACE HEATERS, MICROWAVES, AND SOME PRINTERS REQUIRE MOST OF THE CURRENT AVAILABLE ON A 20 AMP CIRCUIT. THESE SUCH DEVICES MUST BE SUPPLIED WITH THEIR OWN RECEPTACLE DIRECTLY FROM THE BUILDING. THIS LEAVES THE CAPACITY OF THE FURNITURE CIRCUITS AVAILABLE FOR MORE DYNAMIC REQUIREMENTS OF THE OFFICE EQUIPMENT AND ELIMINATES THE POTENTIAL FOR CIRCUIT OVERLOAD AND POWER SHUT DOWN. SPECIFICATIONS FOR HARDWIRING JUNCTIONS WILL BE PROVIDED TO BUYER OR ELECTRICIAN UPON REQUEST. ANY ELECTRICAL CONNECTIONS NOT WITHIN THE SPECIFICATIONS CAN AFFECT THE PERFORMANCE OF THE ELECTRICAL SYSTEMS AND POSSIBLY VOID THE WARRANTY.