

STARBOARD

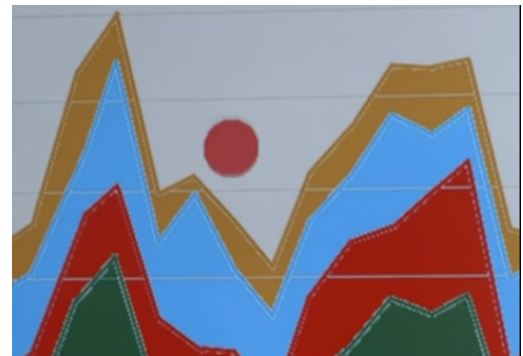
SMART PEN - PRO

PRODUCT FEATURES:

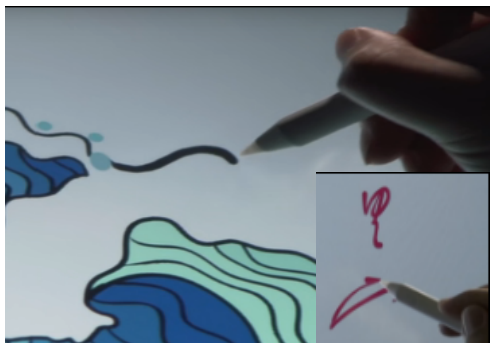
StarBoard IR/P-Cap smart pen are widely used in medium and large size infrared or capacitive touch screens of various brands. This smart pen supports 4096 levels of pressure sensitivity, which can help users express original handwriting on the touch screen. In addition, it also has PPT player, air mouse, spot light, magnifying glass, virtual laser and other indicating functions, which are widely used in education, training, conferences and other multi-person interactive scenarios.



Spotlight



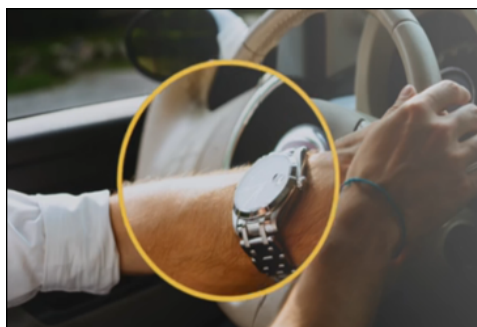
Laser



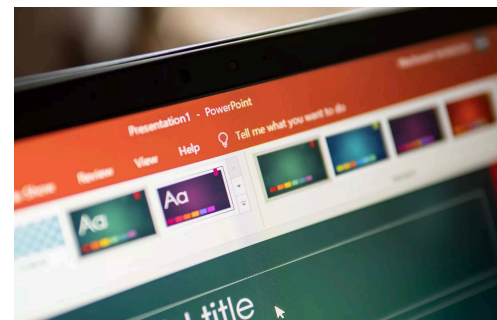
Colors change eraser



Blackboard



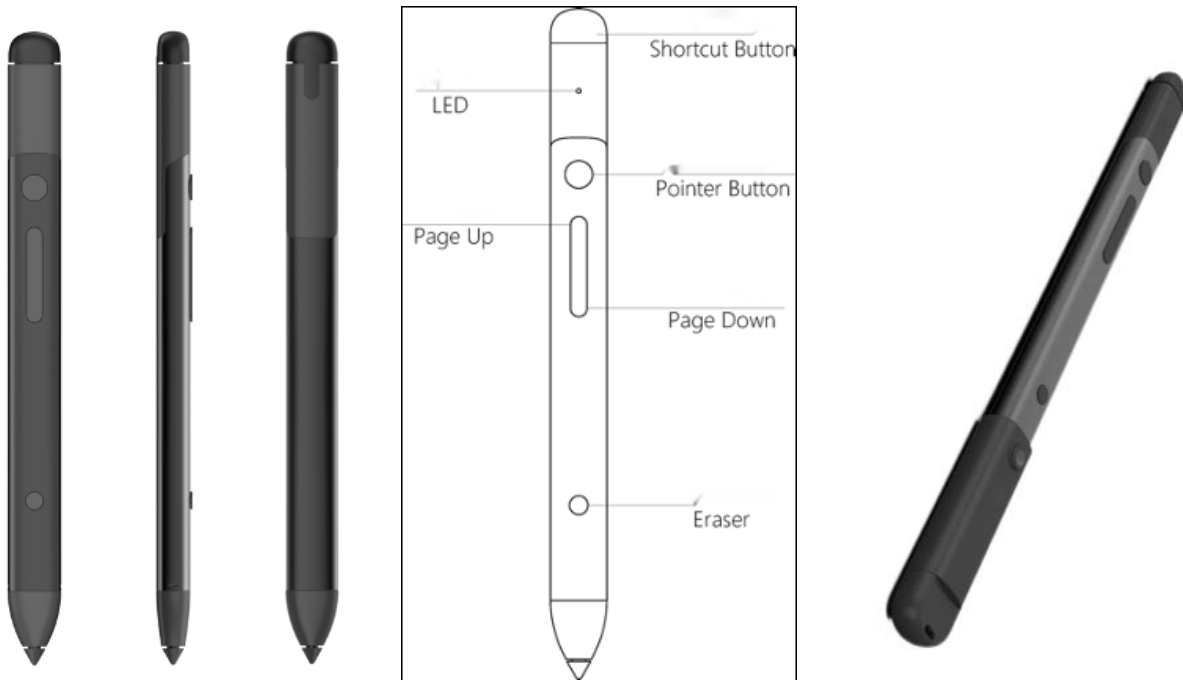
Magnifier



PPT Slide on/off

STARBOARD SMART PEN - PRO

PRODUCT VIEW:



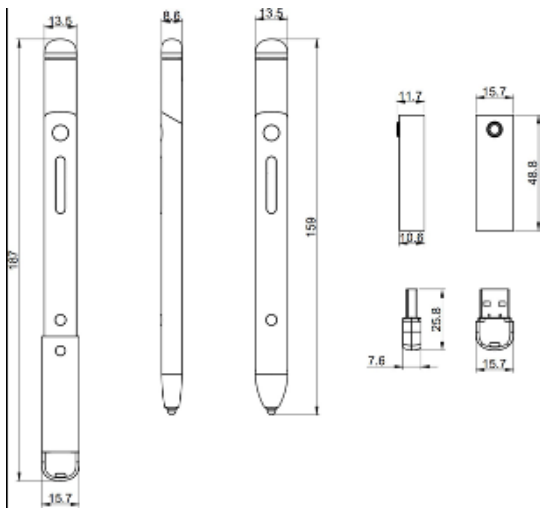
Product Specification:

Items	Parameters
0.8	ABS, Aluminum alloy
Nib Material	POM
Power Switch	Magnetism sensing switch
Pressure Sensitivity Level	4096
Range of Pressure	10~300g
Communication Interface	BLE 5.0
Communication Distance	8m (unobstructed)
Lithium Battery Rated Capacity	120mAh
Input (charging base) 2	5V~450mA
Input (smart pen)	5V~110mA
Rated Power	0.55W
Operating System	Windows7 SP1 and above、Android6.0 and above
Certification	SRRC, CE, FCC, ROHS



STARBOARD SMART PEN - PRO

Product size & Packing information:



Packing List	P2C-UTA
Smart Pen	✓
Spare Nib	✓
Pen Cap	✓
Bluetooth Receiver	✓
Type-C Cable	✓
Charging Base	×

Packing Information	P2C-UTA
NetWeight(pen)	20±1g
Net Weight (Charging base)	×
Single Package Size	204*56*24mm
WholePackage Size	425*303*145mm
QTY perCarton	50pcs
GrossWeight per Carton	5kg

