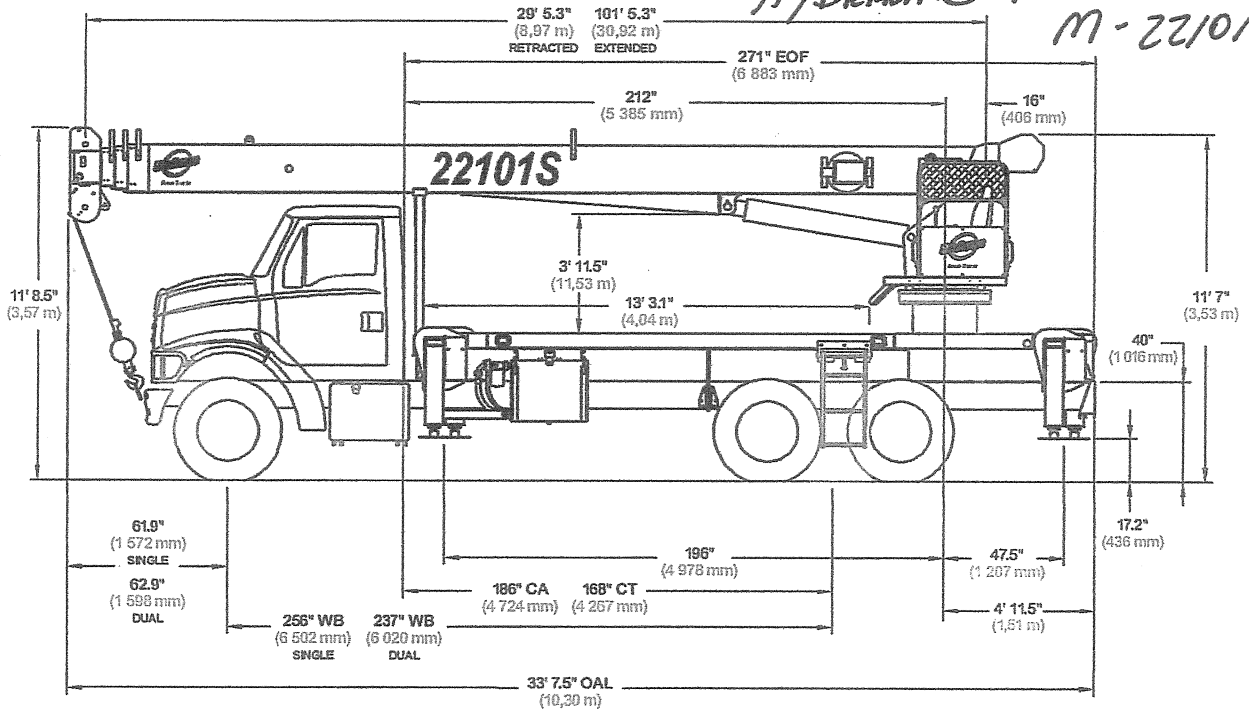


# outline dimensions

*PARKS CRANE  
MANITEX - 22 TON  
HYDRAULIC TRUCK CRANE  
M-22101S*



## Chassis Data

Minimum Truck Requirements	22101S SINGLE	22101S DUAL
<b>Wheelbase (WB)</b>	<b>256"</b> (6 502 mm)	<b>237"</b> (6 020 mm)
<b>Cab to Axle (CA)</b>	<b>186"</b> (4 724 mm)	-
<b>Cab to Tandem (CT)</b>	-	<b>168"</b> (4 267 mm)
<b>Cab to End of Frame (EOF)</b>	<b>271"</b> (6 883 mm)	<b>271"</b> (6 883 mm)
<b>Frame Section Modulus</b>	<b>15.9 in<sup>3</sup></b> <b>110,000 psi</b> (758 422 kPa)	<b>15.9 in<sup>3</sup></b> <b>110,000 psi</b> (758 422 kPa)
<b>Frame Section Modulus</b>	<b>18.0 in<sup>3</sup></b> <b>50,000 psi</b> (344 750 kPa)	<b>18.0 in<sup>3</sup></b> <b>50,000 psi</b> (344 750 kPa)
<b>Front Axle Gross Weight Rating</b>	<b>12,000 lb</b> (5 443 kg)	<b>12,000 lb</b> (5 443 kg)
<b>Rear Axle Gross Weight Rating</b>	<b>21,000 lb</b> (9 525 kg)	<b>34,000 lb</b> (15 422 kg)
<b>Minimum Truck Axle Weight - Front*</b>	<b>5,750 lb</b> (2 608 kg)	<b>6,800 lb</b> (3 084 kg)
<b>Minimum Truck Axle Weight - Back*</b>	<b>4,050 lb</b> (1 837 kg)	<b>7,400 lb</b> (3 357 kg)
<b>Nominal Frame Width</b>	<b>34"</b> (864 mm)	<b>34"</b> (864 mm)

## Weights

	22101S SINGLE & DUAL
<b>Crane- With Out Cab</b>	<b>18,553 lb</b> (8 416 kg)
<b>Cab Alone</b>	<b>575 lb</b> (261 kg)
<b>13' (4,0 m) Flat Bed</b>	<b>1,200 lb</b> (544 kg)
<b>29' (8,8 m) Fixed Length Jib</b>	<b>660 lb</b> (299 kg)

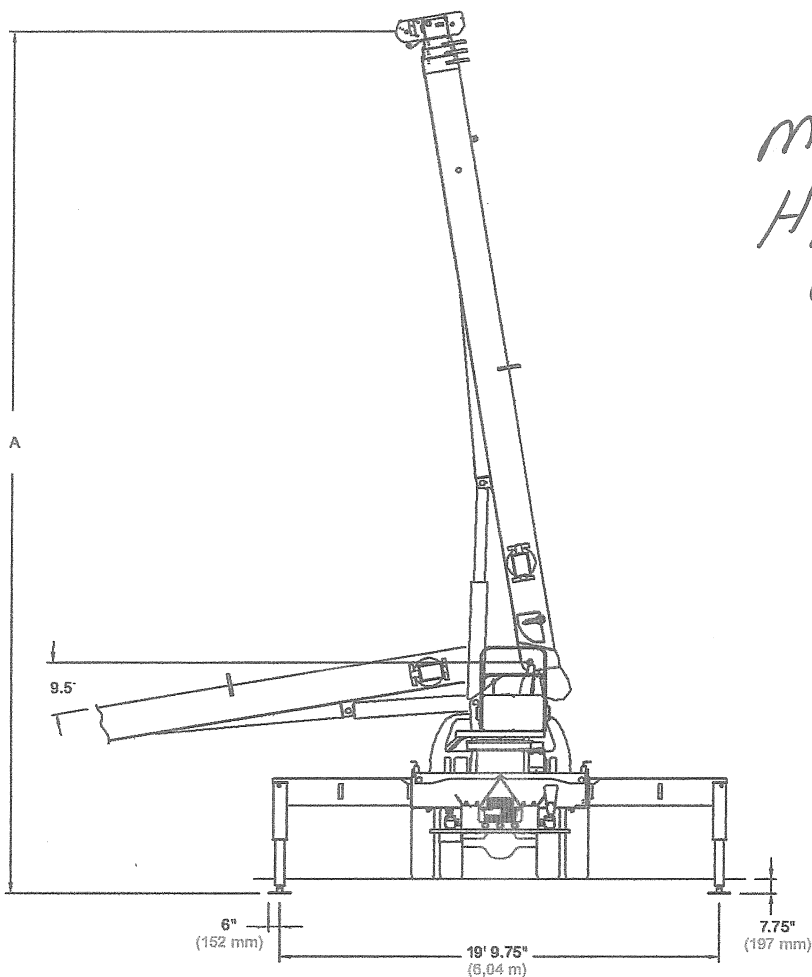
\*Minimum chassis weight is required to meet 85% stability requirements.

Chassis data is general - not for engineering. Some dimensions depend on truck selection.

OAH Overall Height  
CT Cab to Tandem  
CA Cab to Axle  
WB Wheel Base  
OAL Overall Length  
BBC Bumper to Back of Cab  
AF Afterframe  
EOF End of Frame

# outline dimensions

PARKS CRANE  
 MANITEX - 22 TON  
 HYDRAULIC TRUCK  
 CRANE M-22101S



## Maximum Tip Height (A)

	<b>22101S</b>
<b>Configuration</b>	<b>Boom</b>
	<b>101' 0" (30,8 m)</b>
<b>Extended Boom</b>	<b>110' 8" (33,7 m)</b>
<b>Fixed or Retracted Jib</b>	<b>139' 10" (42,6 m)</b>