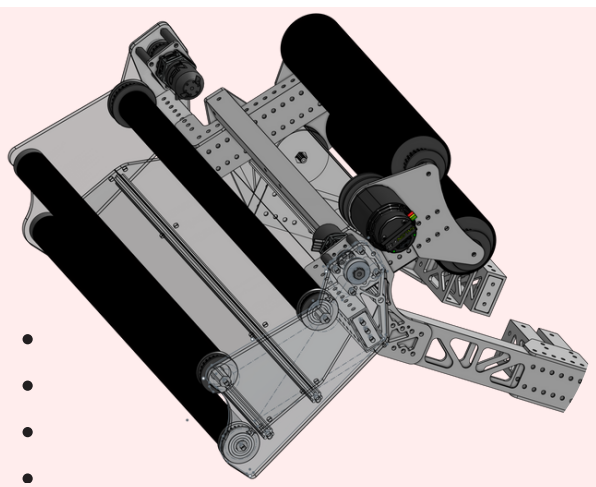
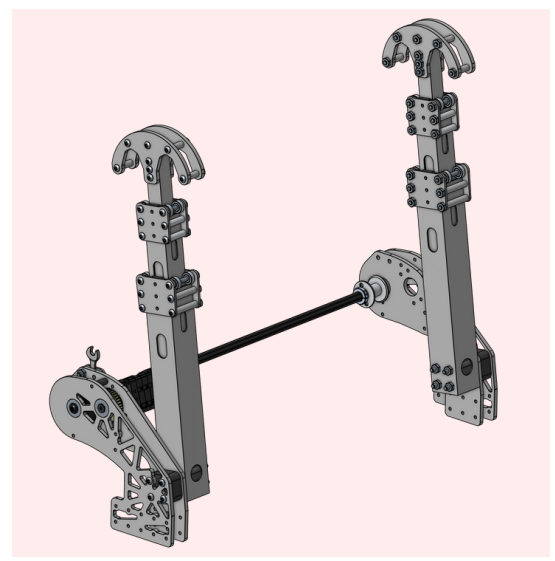




# MAD MAXX Design Summary

## Climber

Our climber utilizes a telescoping design using constant force springs. It winches itself using a pulley, powered by a single Falcon motor. To prevent the climber from moving in the opposite direction, we attached two ratchet wrenches around the half-inch steel shaft that rotates the climber



## Manipulator

Our Manipulator works as both an intake and a shooter. We implemented a beam break to detect notes in the intake and position them. This allowed us to rev-up our motor prior to shooting.

## Base System

Our Base System is a pivoting arm elevator assembly. The elevator allows us to intake over the bumper while keeping our c.g. low. The arm allows us to score in the amp, intake from the source, and adjust our shooting angle with the same mechanism.

