



Section 2

COUPLER COMPONENTS

File Name: SECT 2 COUPLER COMPONENTS 052523-FINAL-8 Revision Date: 5/25/2023

The Hill Railroad Car Parts Co.



A DIVISION OF THE HILL TEAM, INC

SECTION 2

Coupler Components

Coupler Components

Page	Item #	Description
1	1	Coupler Carrier Wear Plates
1	2	Coupler Wear Plates
1	3	Coupler Carrier Shims
1	4	Uncoupling Levers

Coupler Components (continued)

Page	Item #	Description
3	5	Cut Lever Mounting Bracket
3	6	Coupler Carrier Shim
3	7	Placard Board Bracket
3	8	Route Board Bracket
3	9	Center Pins

SECTION 2

COUPLER COMPONENTS

ITEMS 1 - 4

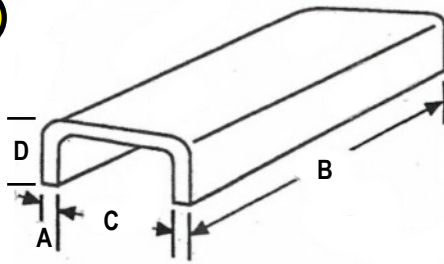
ITEM 1		Coupler Carrier Wear Plates							
Part #	REX Catalog #	Reference #	Description	A	B	C	D	Material	Drawing #
1	R-CCWP0608-000	2.1.1	Coupler Carrier Wear Plate	1/2	11 1/2	4 3/8	2	ASTM A-514-GR-B	
2	R-CCWP0606-000	2.1.2	Coupler Carrier Wear Plate	3/8	11 1/2	4 3/8	2	ASTM A-514-GR-B	
3	R-CCWP0604-000	2.1.3	Coupler Carrier Wear Plate	1/4	11 1/2	4 3/8	2	ASTM A-514-GR-B	
4	R-CCWP0603-000	2.1.4	Coupler Carrier Wear Plate	3/16	11 1/2	4 3/8	2	ASTM A-514-GR-B	
5	R-CCWP0708-000	2.1.5	Coupler Carrier Wear Plate	1/2	14 1/2	5 1/16	2	AR500	
6	R-CCWP0706-000	2.1.6	Coupler Carrier Wear Plate	3/8	14 1/2	5 1/16	2	AR500	
7	R-CCWP0704-000	2.1.7	Coupler Carrier Wear Plate	1/4	14 1/2	5 1/16	2	AR500	
8	R-CCWP0703-000	2.1.8	Coupler Carrier Wear Plate	3/16	14 1/2	5 1/16	2	AR500	

Item 2		Coupler Wear Plates							
Part #	REX Catalog #	Reference #	Description	A	B	C	D	Material	Drawing #
1	R-CWP-0606-010	2.2.1	Coupler Wear Plate (7-1/4" Notch)	3/8	10	8		ASTM A-514-GR-B	
2	R-CWP-0606-000	2.2.2	Coupler Wear Plate	3/8	13	3 1/2		ASTM A-514-GR-B	
3	R-CWP-0608-000	2.2.3	Coupler Wear Plate	1/2	13	3 1/4		ASTM A-514-GR-B	
4	R-CWP-0704-000	2.2.4	Coupler Wear Plate	1/4	9	3		AR500	
5	R-CWP-0706-000	2.2.5	Coupler Wear Plate	3/8	9	3		AR500	
6	R-CWP-0504-000	2.2.6	Coupler Wear Plate (2" Notch)	1/4	9 1/2	3 1/2		A.I.S.I. C1045	
7	R-CWP-0506-000	2.2.7	Coupler Wear Plate (2" Notch)	3/8	9 1/2	3 1/2		A.I.S.I. C1045	
8	R-CWP-0508-000	2.2.8	Coupler Wear Plate (2" Notch)	1/2	9 1/2	3 1/2		A.I.S.I. C1045	
9	R-CWP-0510-000	2.2.9	Coupler Wear Plate (2" Notch)	5/8	9 1/2	3 1/2		A.I.S.I. C1045	
10	R-CWP-0512-000	2.2.10	Coupler Wear Plate (2" Notch)	3/4	9 1/2	3 1/2		A.I.S.I. C1045	

Item 3		Coupler Carrier Shim							
Part #	REX Catalog #	Reference #	Description	A	B	C	D	Material	Drawing #
1	R-CCS-0304-000	2.3.1	Coupler Carrier Shim	1/4	9	3		A572	
2	R-CCS-0306-000	2.3.2	Coupler Carrier Shim	3/8	9	3		A572	

Item 4		Uncoupling Levers							
Part #	REX Catalog #	Reference #	Description	Lengths			Material	Drawing #	
1	R-NAUL44-62000	2.4.1	Non-telescoping Adj Uncoupling Lever	44" Comp 62" Ext					
2	R-TAUL84-39000	2.4.2	Telescoping Adjustable Uncoupling Lever	39" Comp 84" Ext					
3	R-TAUL68-32000	2.4.3	Telescoping Adjustable Uncoupling Lever	32" Comp 68" Ext					

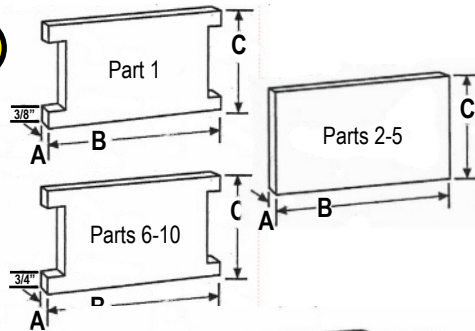
1



Item 1 Parts 1-8

Coupler Carrier Wear Plate
Option 1: ASTM A-514-GR-B
Option 2: AR500
Option 3: Thickness

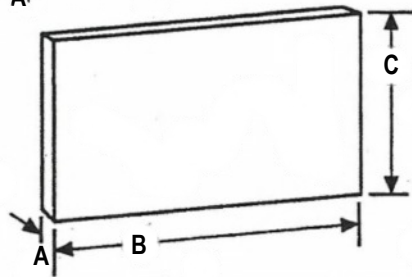
2



Item 2 Parts 1-10

Coupler Wear Plate
Option 1: ASTM A-514-GR-B
Option 2: AR500
Option 3: A.I.S.I C1045

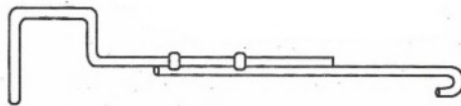
3



Item 3 Parts 1-2

Coupler Carrier Shim
A572

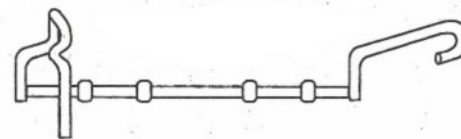
4



Item 4 Part 1

Adjustable Uncoupling lever
Non-Telescoping
Compressed = 44"
Extended = 62"

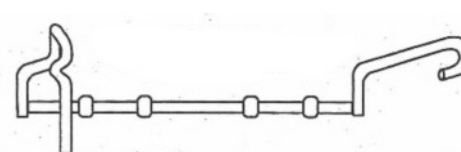
4



Item 4 Part 2

Adjustable Uncoupling lever
Telescoping
Compressed = 39"
Extended = 84"

4



Item 4 Part 3

Adjustable Uncoupling lever
Telescoping
Compressed = 32"
Extended = 68"

SECTION 2

COUPLER COMPONENTS

ITEMS 5 - 9

Page 3

Diagrams on Page 4

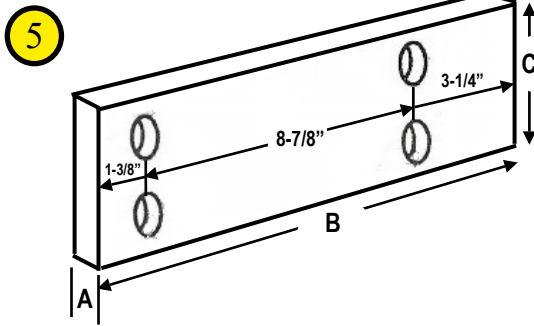
Item 5		Cut lever Mounting Bracket							
Part #	REX Catalog #	Reference #	Description	A	B	C	D	Material	Drawing #
1	R-CLMB0306-000	2.5.1	Cut Lever Mounting Bracket	3/8	13 1/2	5		A572	

Item 6		Coupler Carrier Shim							
Part #	REX Catalog #	Reference #	Description	A	B	C	D	Material	Drawing #
1	R-CCS-0304-030	2.6.1	Coupler Carrier Shim	1/4	7	8		A572	
2	R-CCS-0306-040	2.6.2	Coupler Carrier Shim	3/8	7	8		A572	
3	R-CCS-0308-050	2.6.3	Coupler Carrier Shim	1/2	7	8		A572	

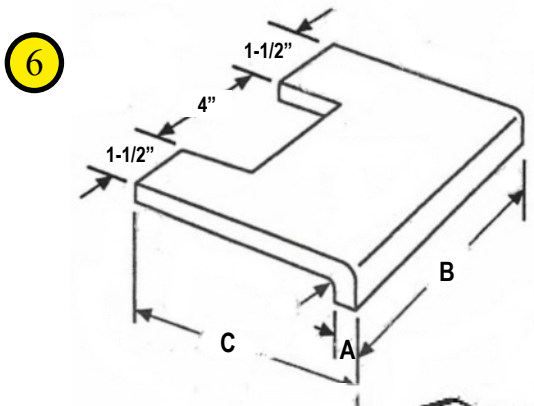
Item 7		Placard Board Bracket							
Part #	REX Catalog #	Reference #	Description	A	B	C	D	Material	Drawing #
1	R-PPB-0402-010	2.7.1	Placard Board Bracket	1/8	24 5/8	1	16 1/4	A-36	
2	R-PPB-0402-020	2.7.2	Placard Board Bracket	1/8	26 5/16	1	16 1/8	A-36	

Item 8		Route Board Bracket							
Part #	REX Catalog #	Reference #	Description	A	B	C	D	Material	Drawing #
1	R-RCBB0402-000	2.8.1	Route Card Board Bracket	1/8	11 1/4	1	6 5/8	A-36	

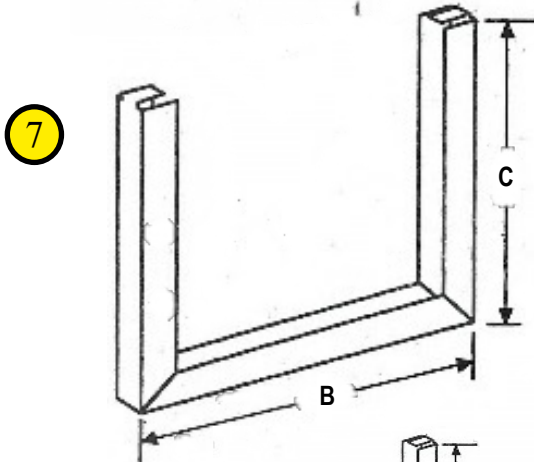
Item 9		Center Pins							
Part #	REX Catalog #	Reference #	Description	A	B	C	D	Material	Drawing #
1	R-CPST1.75X150	2.9.1	Center Pin 1 3/4" Single Taper	1 3/4	15			A576-1020, A36, A575	
2	R-CPDT1.75X150	2.9.2	Center Pin 1 3/4" Double Taper	1 3/4	15			A576-1020, A36, A575	
3	R-CPST0002X150	2.9.3	Center Pin 2" Single Taper	2	15			A576-1020, A36, A575	
4	R-CPDT0002X150	2.9.4	Center Pin 2" Double Taper	2	15			A576-1020, A36, A575	



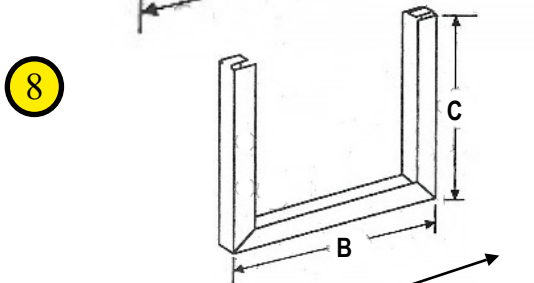
Item 5 Part 1
Cut Lever Mounting Bracket



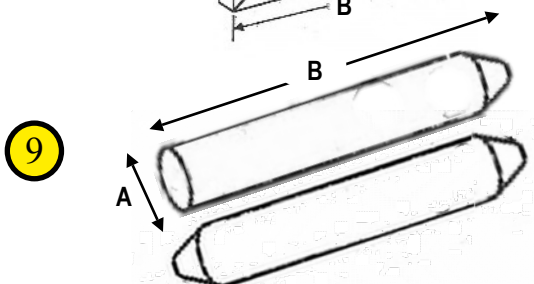
Item 6 Parts 1-3
Coupler Carrier Shim
A572



Item 7 Part 1-2
Placard Board Bracket
A-36



Item 8 Part 1
Route Board Bracket
A-36



Item 9 Parts 1-4
Center Pin
1 3/4" Single Taper
1 3/4" Double Taper
2" Single Taper
2" Double Taper

