



# Section 5

# LADDERS

File Name: SECT 5 LADDERS 051123F1 Revision Date: 5/11/2023





A DIVISION OF THE HILL TEAM, INC

## Section 5 LADDERS & HANDHOLDS

LADDERS				
Page	Index	Part #	(Angle Type)	Drwg #
1	1	LS4T18-1661-2	4-Tread Ladder	
1	2	LS4T18-1668-7	4-Tread Ladder	
1	3	LS7T18-161244	7-Tread Ladder	
1	4	LS6T18-16100-	6-Tread Ladder	
Page	Index	Part #	(Angle Type)	Drwg #
2	5	SL4T18-16-57-	4-Tread Side Ladder	
2	6	SL4T18-16-50-	4-Tread Side Ladder	
2	7	EL3T16-16-39-	3-Tread End Ladder	
2	8	EL2T20-16-2224	2-Tread End Ladder	
Page	Index	Part #	(Angle Type)	Drwg #
3	9	EL3T18416-59-	3-Tread End Ladder	
3	10	EL8T18-161432	8-Tread End Ladder	
Page	Index	Part #	(Angle Type)	Drwg #
4	11	SL2T20-16-264	2-Tread Side Ladder	
4	12	SL4T18-16-504	4-Tread Side Ladder	
4	13	SL4T18-16-612	4-Tread Side Ladder	
4	14	SL4T18416-534	4-Tread Side Ladder	
4	15	SL4T18416-586	4-Tread Side Ladder	
4	16	SL4T18-16-504	4-Tread Side Ladder	
4	17	SL4T18-16-687	4-Tread Side Ladder	
4	18	SL4T18416-60-	4-Tread Side Ladder	
4	19	SL4T18416-60-	4-Tread Side Ladder	
4	20	SL4T18-16A687	4-Tread Side Ladder	
Page	Index	Part #	(Angle Type)	Drwg #
5	21	LS4T18-16-67-	4-Tread Ladder	
5	22	SL4T19-16-55-	4-Tread 1 Angle Side Ladder	
5	23	EL3T18416-60-	3-Tread End Ladder	





A DIVISION OF THE HILL TEAM, INC

## Section 5 LADDERS & HANDHOLDS

Page	Index	Part #	(Angle Type)	Drwg #
6	24	EL10T18416156	10-Tread End Ladder	
6	25	LS5T174164S84	5-Tread Ladder (as shown)	
6	26	LS5T174164R84	5-Tread Ladder (reverse)	

### Mounting Brackets

Page	Index	Part #	Mounting Brackets	Drwg #
7	27	MBBSS22-242--	Bottom Side (Straight)	
7	28	MBTSO22-242--	Top Side (Offset)	
7	29	MBBEB22-29.25	Bracket End (Bottom)	
7	30	MBBET22-27.75	Bracket End (Top)	

### Handholds

Pages	Index	Part #	Handholds	Drwg #
8	31	HSD18.00.6875	Handhold (Single Drop)	
8	32	HSD19.00.6875	Handhold (Single Drop)	
8	33	HSD20.00.6875	Handhold (Single Drop)	
8	34	HDD17.00.6875	Handhold (Double Drop)	
8	35	H--18.00.5625	Handhold	
8	36	H--27.50.5625	Handhold	
8	37	H--24.00.5625	Handhold	
8	38	HLT15.75.5625	Handhold (Ladder Tread0	
8	39	HLT16.00.5625	Handhold (Ladder Tread0	
8	40	HLT17.00.5625	Handhold (Ladder Tread0	
8	41	HLT18.00.6875	Handhold (Ladder Tread0	
8	42	HLT18.00.5625	Handhold (Ladder Tread0	
8	43	HLT18.50.5625	Handhold (Ladder Tread0	
8	44	HLT18.75.5625	Handhold (Ladder Tread0	
8	45	HLT19.00.6875	Handhold (Ladder Tread0	
8	46	HLT19.00.5625	Handhold (Ladder Tread0	
8	47	HLT19.50.5625	Handhold (Ladder Tread0	
8	48	HLT20.00.6875	Handhold (Ladder Tread0	
8	49	HLT20.00.5625	Handhold (Ladder Tread0	



# The Hill Railroad Car Parts Co.



A DIVISION OF THE HILL TEAM, INC

## Section 5 LADDERS & HANDHOLDS

Handholds & Grab Irons				
Pages	Index	Part #	Handholds & Grab Irons	Drwg #
9	50	HSD18.00.5625	Handhold Single Drop Angle	
9	51	HSD18.00.5625	Handhold Single Drop Angle	
9	52	GI-15.75.6875	Grab Iron Double Drop	
9	53	HE-21.00.6875	Grab Iron Double Drop (end sill)	
9	54	HS-18.25.5625	Handhold (as shown)	
9	55	HR-18.25.5625	Handhold (reverse)	
10	56	H--20.00.6875	Handhold	
10	57	HRSS23.50.5625	Handhold (roof Sheet)(as shown)	
10	58	HRSR23.50.5625	Handhold (roof sheet)(reverse)	
10	59	GI-18.00.875-	Grab Iron	

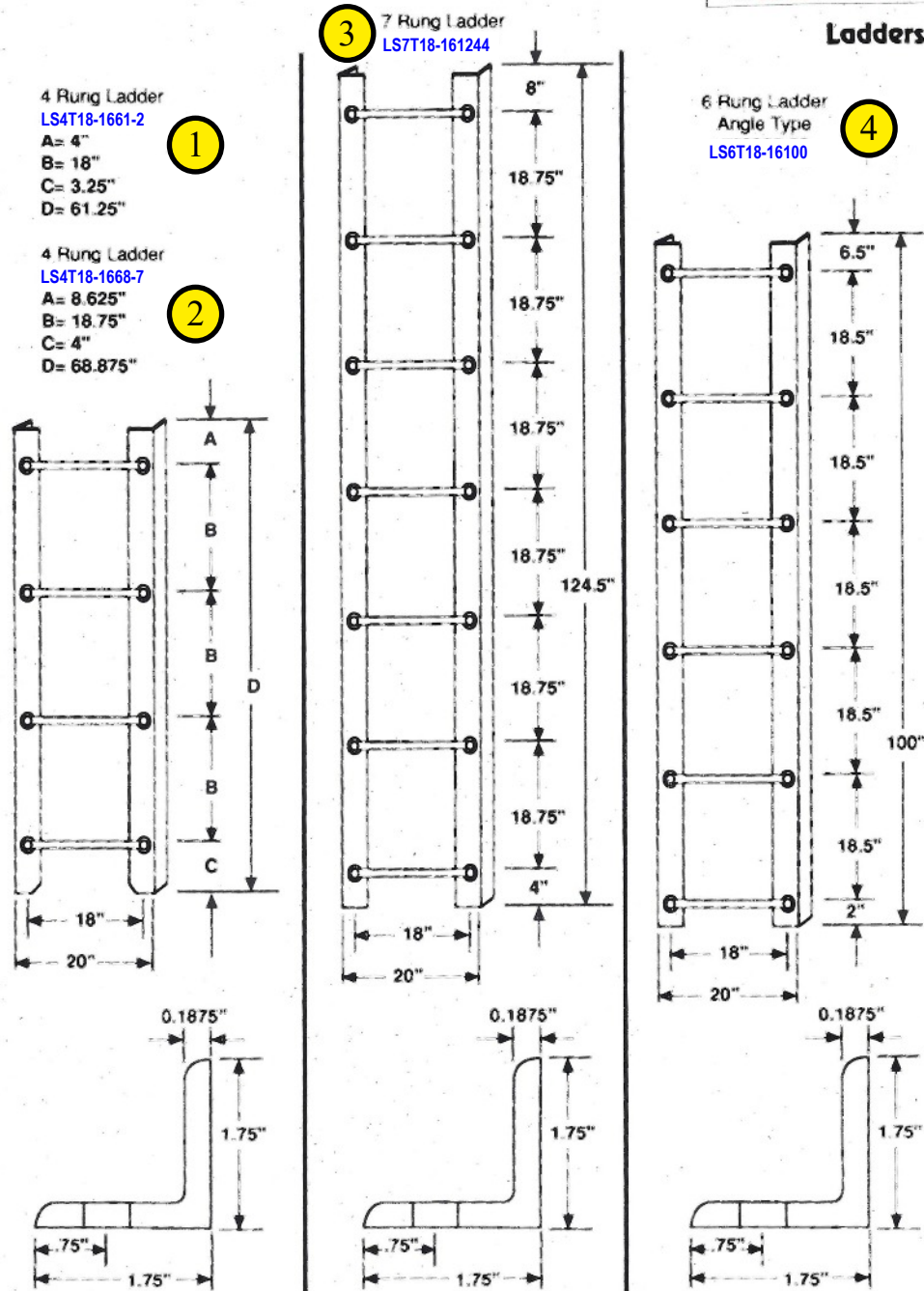






A DIVISION OF THE HILL TEAM, INC

## Section 5 LADDERS & HANDHOLDS

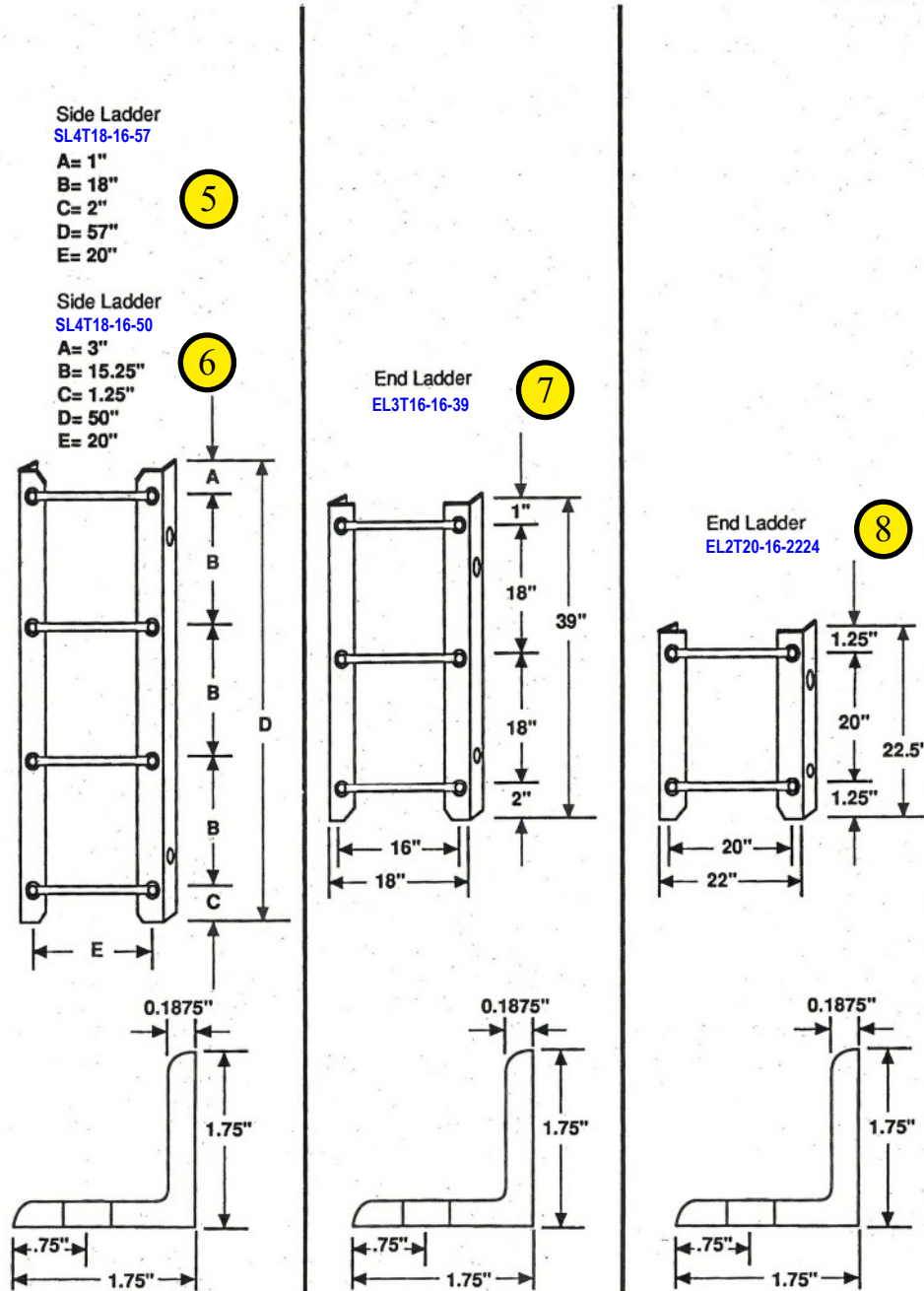




A DIVISION OF THE HILL TEAM, INC

## Section 5 LADDERS & HANDHOLDS

### Ladders





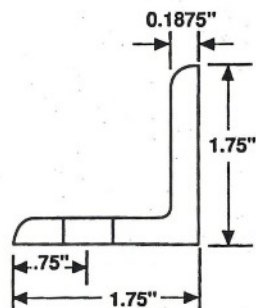
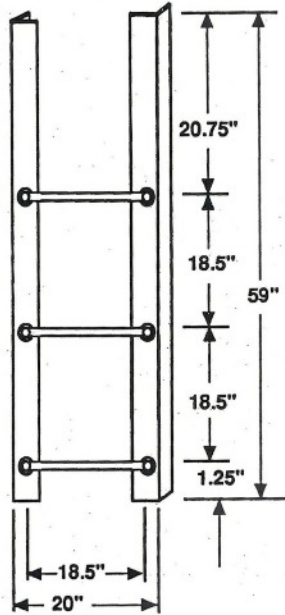
A DIVISION OF THE HILL TEAM, INC

## Section 5 LADDERS & HANDHOLDS

### Ladders

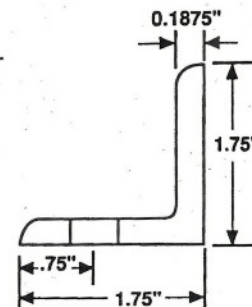
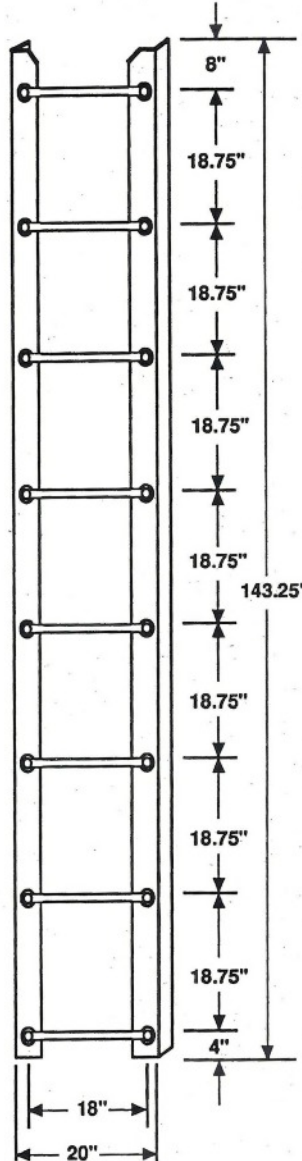
3 Rung End Ladder  
EL3T18416-59

9



8 Rung Ladder  
EL8T18-161432

10





A DIVISION OF THE HILL TEAM, INC

## Section 5 LADDERS & HANDHOLDS

### Ladders

<p>Side Ladder SL2T20-16-264</p>	<p>4 Rung Ladder SL4T18-16-504</p> <p>A= 1.25"; B= 16" C= 1.25"; D= 50.5" E= 20"; F= 18"</p>	<p>12</p>	
	<p>4 Rung Ladder SL4T18-16-612</p> <p>A= 3.75"; B= 18.75" C= 1.25"; D= 61.25" E= 20"; F= 18"</p>	<p>13</p>	
	<p>4 Rung Ladder SL4T18416-534</p> <p>A= 2"; B= 16.5" C= 2"; D= 53.5" E= 18.5"; F= 20.75"</p>	<p>14</p>	
	<p>4 Rung Ladder SL4T18416-586</p> <p>A= 1.5"; B= 18.75" C= 1"; D= 58.75" E= 18.5"; F= 20.5"</p>	<p>15</p>	
	<p>4 Rung Ladder SL4T18-16-504</p> <p>A= 1.25"; B= 16" C= 1.25"; D= 50.5" E= 18"; F= 20"</p>	<p>16</p>	
	<p>4 Rung Ladder SL4T18-16-687</p> <p>A= 8.625"; B= 18.75" C= 4"; D= 68.875" E= 18"; F= 20"</p>	<p>17</p>	
	<p>4 Rung Ladder SL4T18416-60-</p> <p>A= to suit; B= 18" C= to suit; D= 60" E= 18.5"; F= 20.5"</p>	<p>18</p>	
	<p>4 Rung Ladder SL4T18416-60-</p> <p>A= to suit; B= 17" C= to suit; D= 60" E= 18.5"; F= 20.5"</p>	<p>19</p>	
	<p>4 Rung Ladder SL4T18-16A687</p> <p>A= 8.625"; B= 18.75" C= 4"; D= 68.875" E= 18"; F= 20"</p>	<p>20</p>	





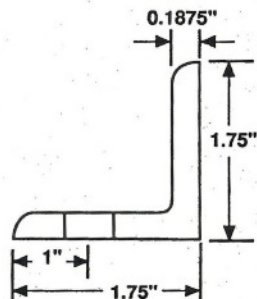
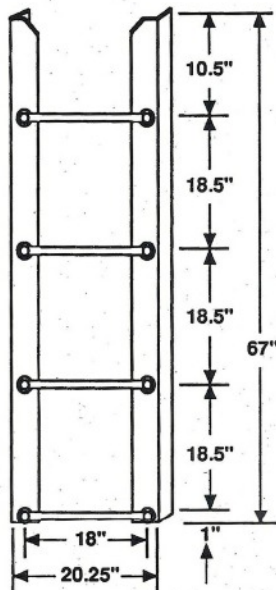
A DIVISION OF THE HILL TEAM, INC

## Section 5 LADDERS & HANDHOLDS

### Ladders

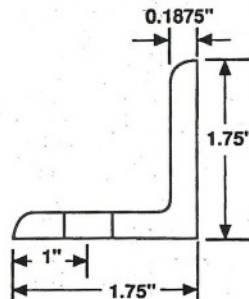
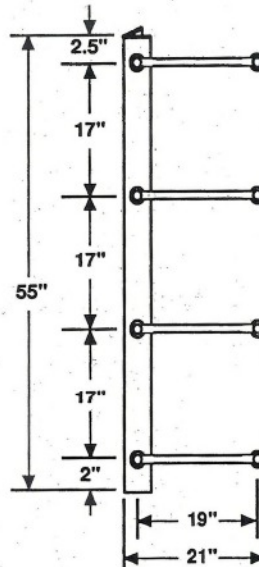
Ladder Assembly  
4 Rung  
LS4T18-16-67

21



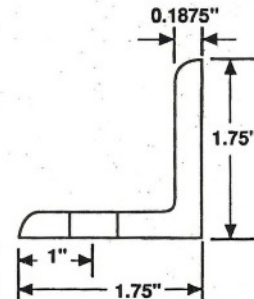
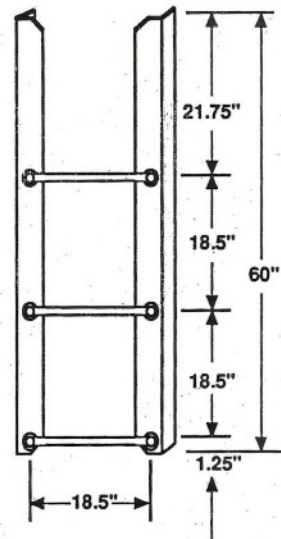
Side Ladder  
LS4T19-16-55

22



End Ladder Assembly  
EL3T18416-60

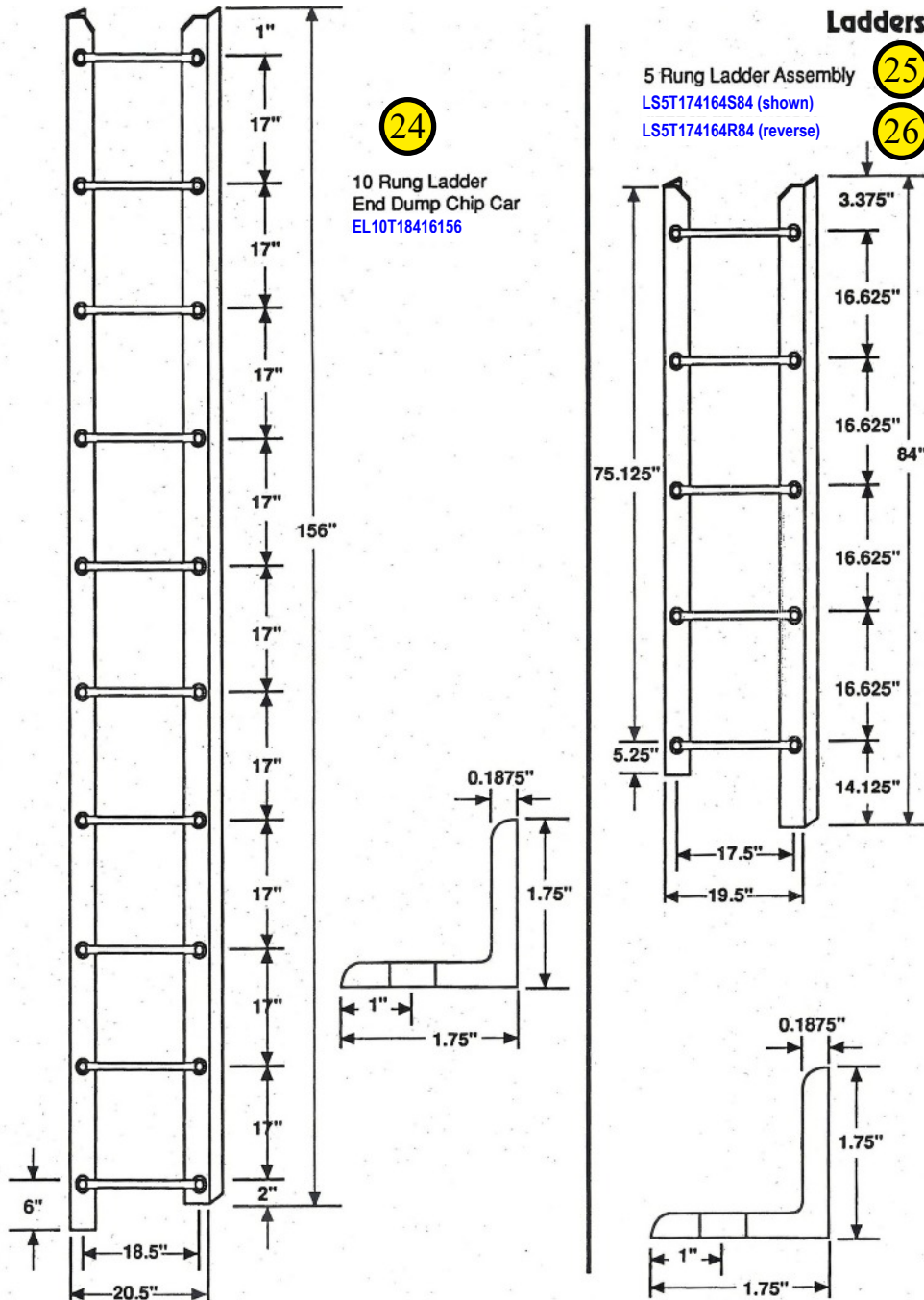
23





A DIVISION OF THE HILL TEAM, INC

## Section 5 LADDERS & HANDHOLDS

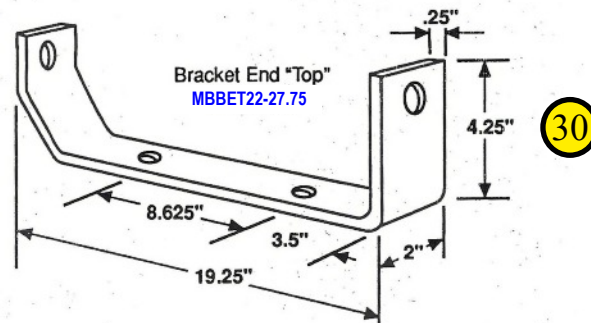
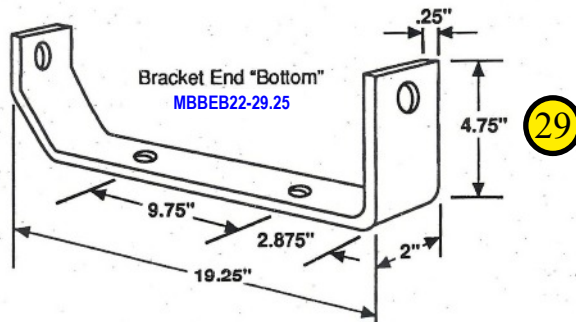
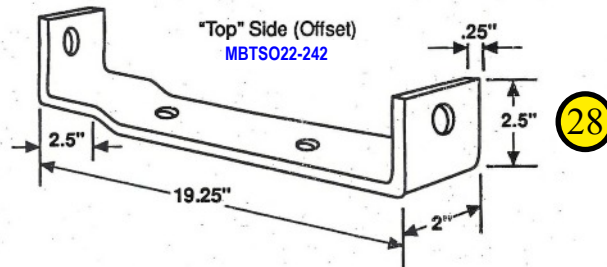
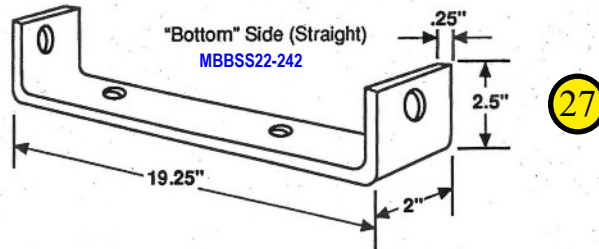




A DIVISION OF THE HILL TEAM, INC

## Section 5 LADDERS & HANDHOLDS

### Mounting Brackets





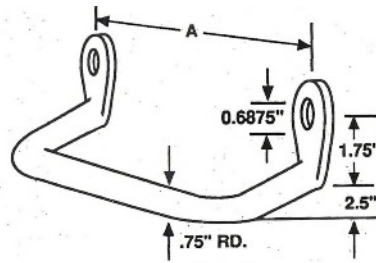
A DIVISION OF THE HILL TEAM, INC

## Section 5 LADDERS & HANDHOLDS

**31** Handhold  
HSD18.00.6875  
A= 18"

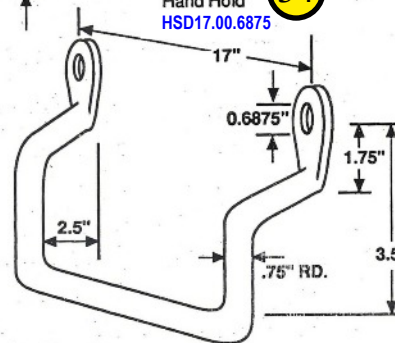
**32** Handhold  
HSD19.00.6875  
A= 19"

**33** Handhold  
HSD20.00.6875  
A= 20"



Handholds

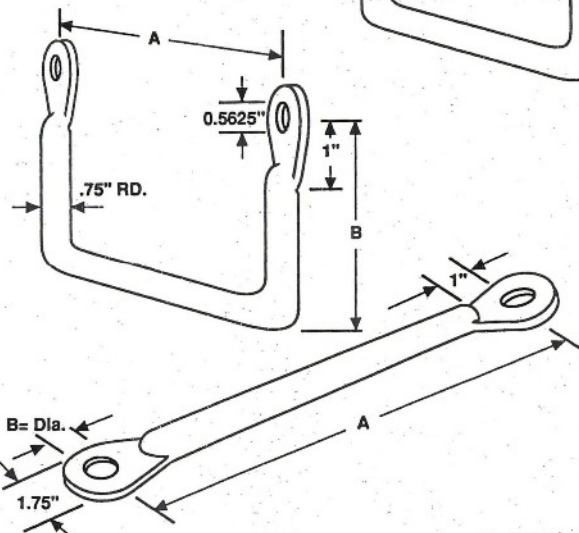
**34** Hand Hold  
HSD17.00.6875



**35** Handhold  
H-18.00.5625  
A= 18"  
B= 4.5"

**36** Handhold  
H-27.50.5625  
A= 27.5"  
B= 4.5"

**37** Handhold  
H-24.00.5625  
A= 24"  
B= 4.125"



**38**

Handhold  
HLT15.75.5625  
A= 15.75"  
B= 0.5625"

**40**

Handhold  
HLT17.00.5625  
A= 17"  
B= 0.5625"

**42**

Handhold  
HLT18.00.5625  
A= 18"  
B= 0.5625"

**44**

Handhold  
HLT18.75.5625  
A= 18.75"  
B= 0.5625"

**46**

Handhold  
HLT19.00.5625  
A= 19"  
B= 0.5625"

**48**

Handhold  
HLT20.00.6875  
A= 20"  
B= 0.6875"

Handhold  
HLT16.00.5625  
A= 16"  
B= 0.5625"

Handhold  
HLT18.00.6875  
A= 18"  
B= 0.6875"

Handhold  
HLT18.50.5625  
A= 18.5"  
B= 0.5625"

Handhold  
HLT19.00.6875  
A= 19"  
B= 0.6875"

Handhold  
HLT19.50.5625  
A= 19.5"  
B= 0.5625"

Handhold  
HLT20.00.5625  
A= 20"  
B= 0.5625"

**39**

**41**

**43**

**45**

**47**

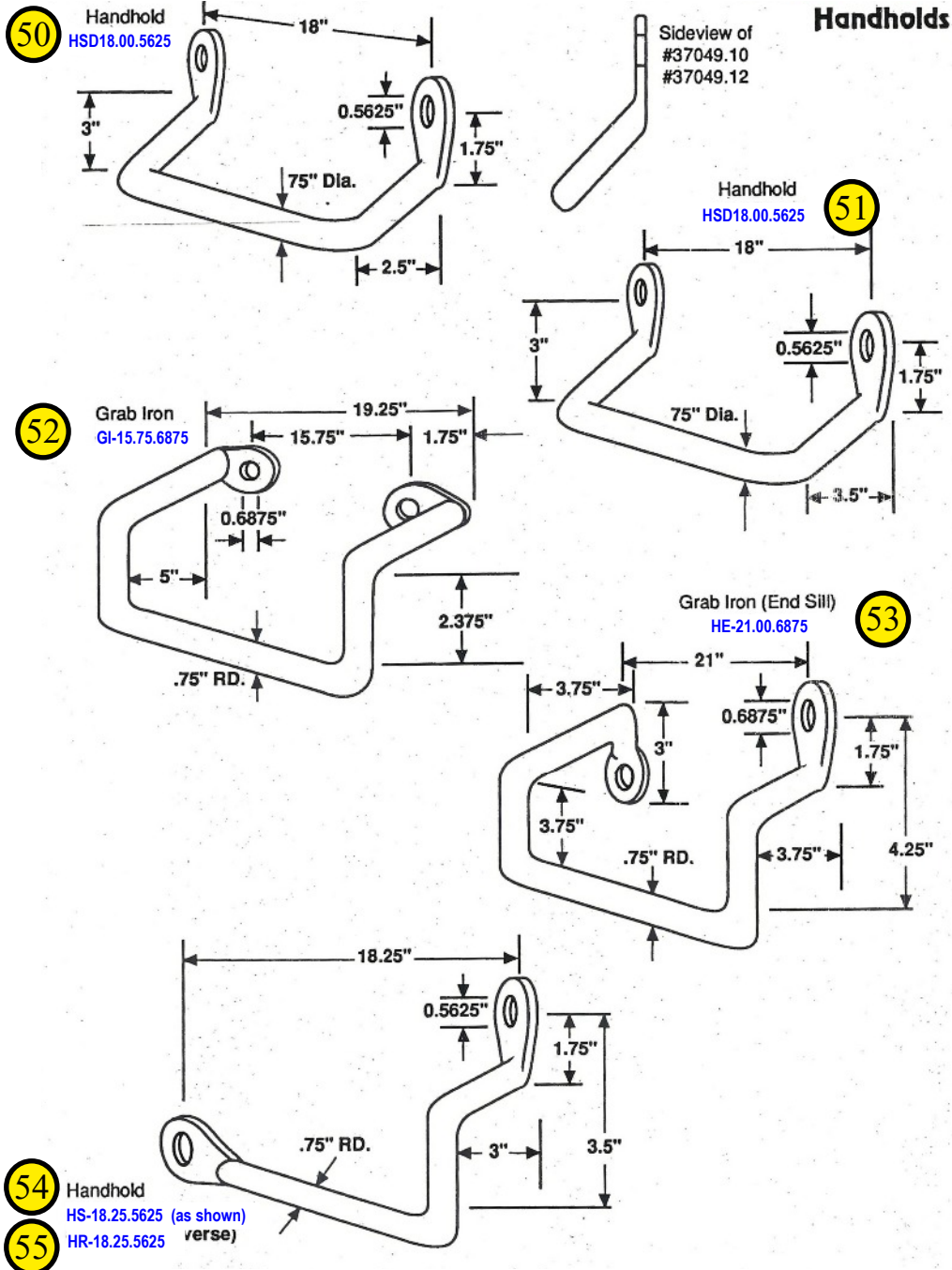
**49**





A DIVISION OF THE HILL TEAM, INC

## Section 5 LADDERS & HANDHOLDS



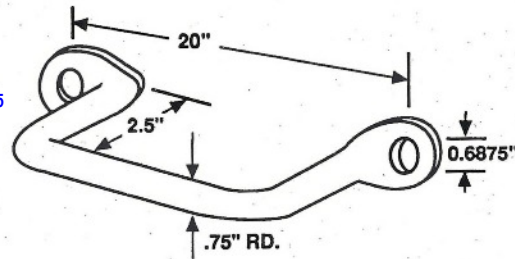


A DIVISION OF THE HILL TEAM, INC

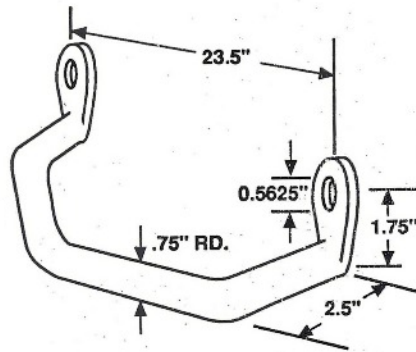
## Section 5 LADDERS & HANDHOLDS

### Handholds

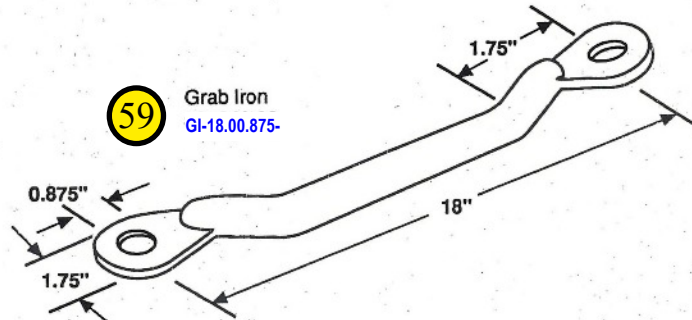
56 Handhold  
H-20.00.6875



57 Hand Hold Roof Sheet  
HRSS23.50.5625 (shown)  
58 HRSS23.50.5625 (reverse)



59 Grab Iron  
GI-18.00.875-



**The Hill Railroad Car Parts Co.**



A DIVISION OF THE HILL TEAM, INC

## **Section 5 LADDERS & HANDHOLDS**

# End Of Section 5

