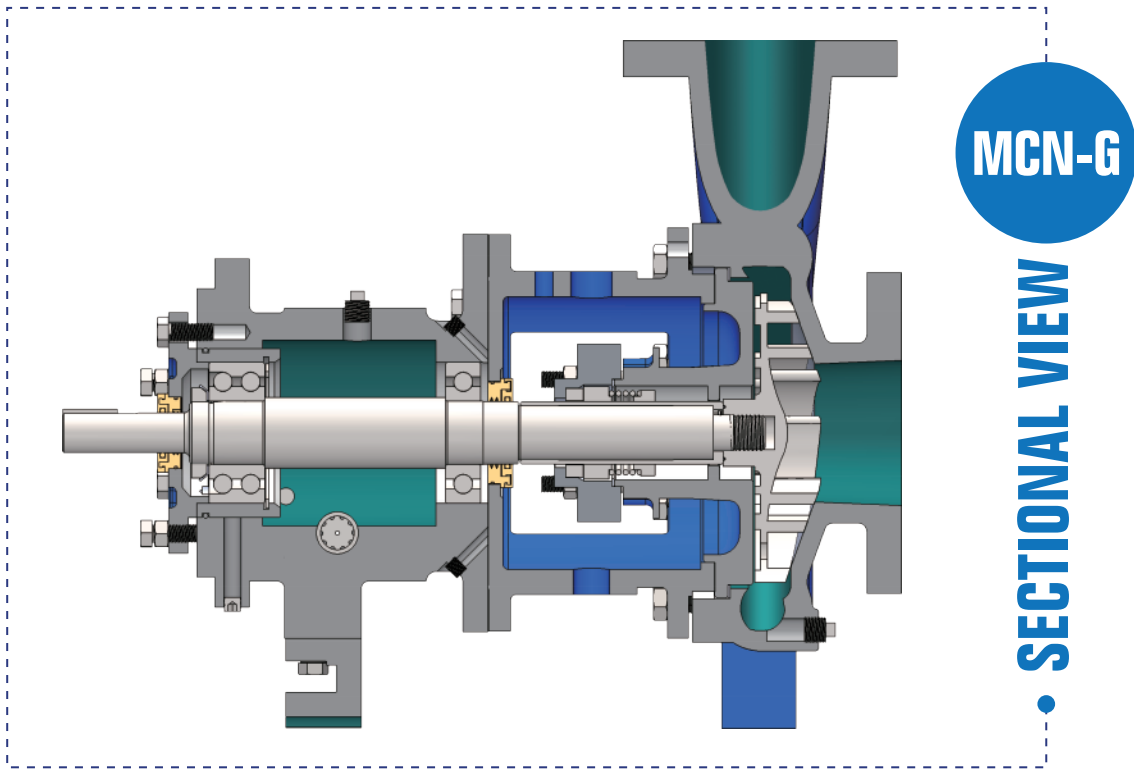




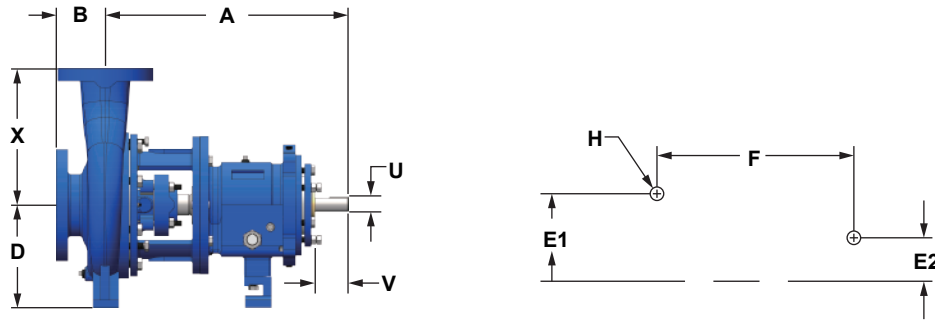
AMOS
A MODEL OF SUCCESS IN FLUID TECHNOLOGY



MCN-G SERIES CHEMICAL PROCESS PUMP



▼ **OUTLINE DIMENSIONS** [Unit: inch (mm)]



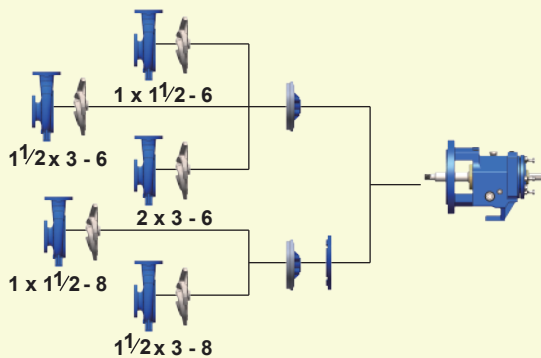
Pump Frame	ANSI	Size			Pump Dimensions												
		DIS	SUC	IMP	X	D	B	A	SP	Foot Pattern				Shaft			
		E1	E2	F						H	U	KEYWAY	V				
STN	AA	1	1.5	6	6 1/2	5 1/4	4	13 1/2	3 3/4	4	0	7 1/4	5/8	.875	3/16 x 3/32	2	
	AB	1.5	3	6													
		2	3	6													
		1	1.5	8													
MTN or LTN	A60	2	3	8	8 1/4	4	19 1/2	3 3/4	4 7/8	3 5/8	12 1/2	5/8	MTN 1.125	MTN 1/4 x 1/8	2 5/8		
	A70	3	4	8													
	A70	3	4	8G												11	
	A50	1	2	10												8 1/2	
	A50	1.5	3	10												8 1/2	
	A60	2	3	10												9 1/2	
	A70	3	4	10												11	
	A40	3	4	10H												12 1/2	
	A80	4	6	10												13 1/2	
	A80	4	6	10H												13 1/2	
LTN	A20	1.5	3	13	10	4	27 7/8	5 1/4	8	4 1/2	18 3/4	7/8	LTN 1.875	LTN 1/2 x 1/4	4		
	A30	2	3	13												11 1/2	
	A40	3	4	13												12 1/2	
	A80	4	6	13												13 1/2	
	A90	6	8	13												16	
XTT-N	A100	8	10	13	14 1/2	6	27 7/8	5 1/4	8	4 1/2	18 3/4	7/8	2.375	5/8 x 5/16	4		
	A110	6	8	15												18	
	A120	8	10	15												19	
	A120	8	10	15G												19	

PRODUCT FEATURES

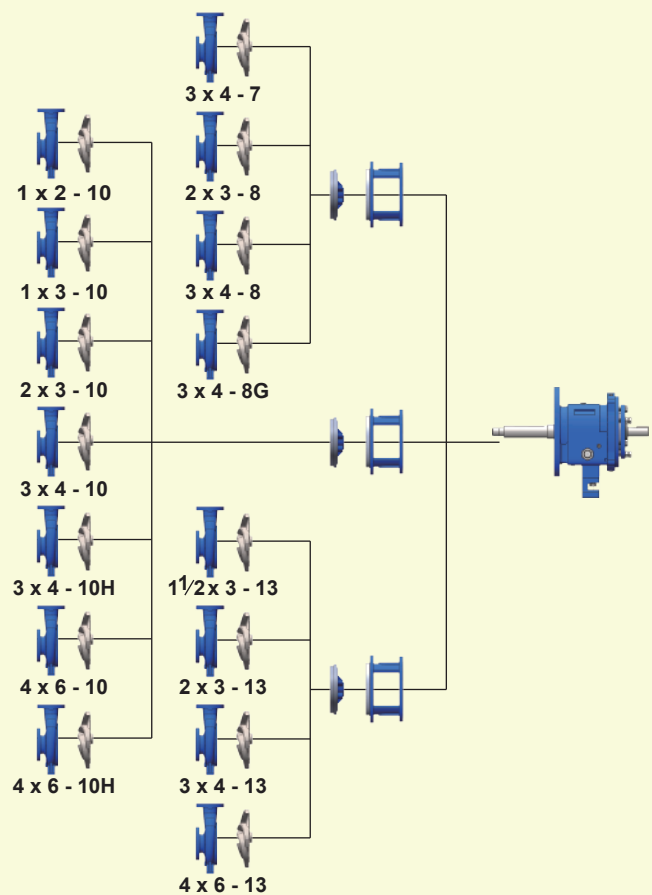
MCN-G series chemical process pumps comply with ASME/ANSI B73.1M standard. With a maximum capacities of 7000GPM, maximum head of 730 feet, temperatures to 371°C and pressures to 375PSIG, this series pumps are designed for total range of industry services. Besides extended pump life, its' back pull-out design, external impeller adjustment and maximum interchangeability simplify the maintenance. Fully open impeller, full 50/60 Hz coverage and various sizes make hydraulic performance optimum. It is the best choice for chemical, petrochemical, pulp & paper, primary metals, food & beverage and general industries. Both bare shaft pump and pump package unit with base plate and motor are available. Various material constructions can be offered according to requirement.

▼ MODEL MCN-G INTERCHANGEABILITY & OUTLINE DIMENSION DRAWING

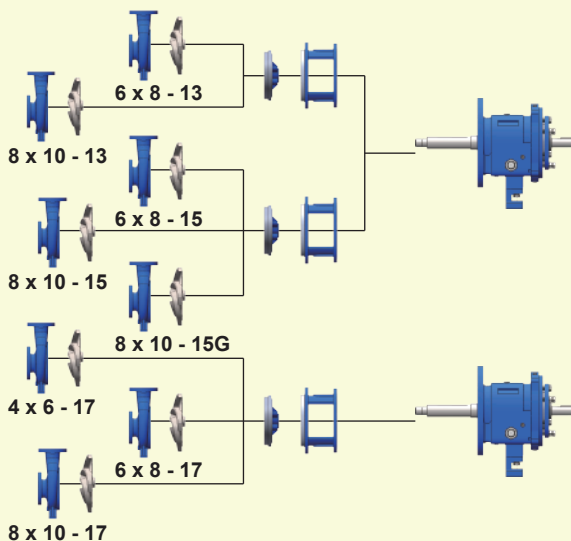
Model MCN-G STN



Model MCN-G MTN



Model MCN-G XLT-N



PERFORMANCE CHARTS

