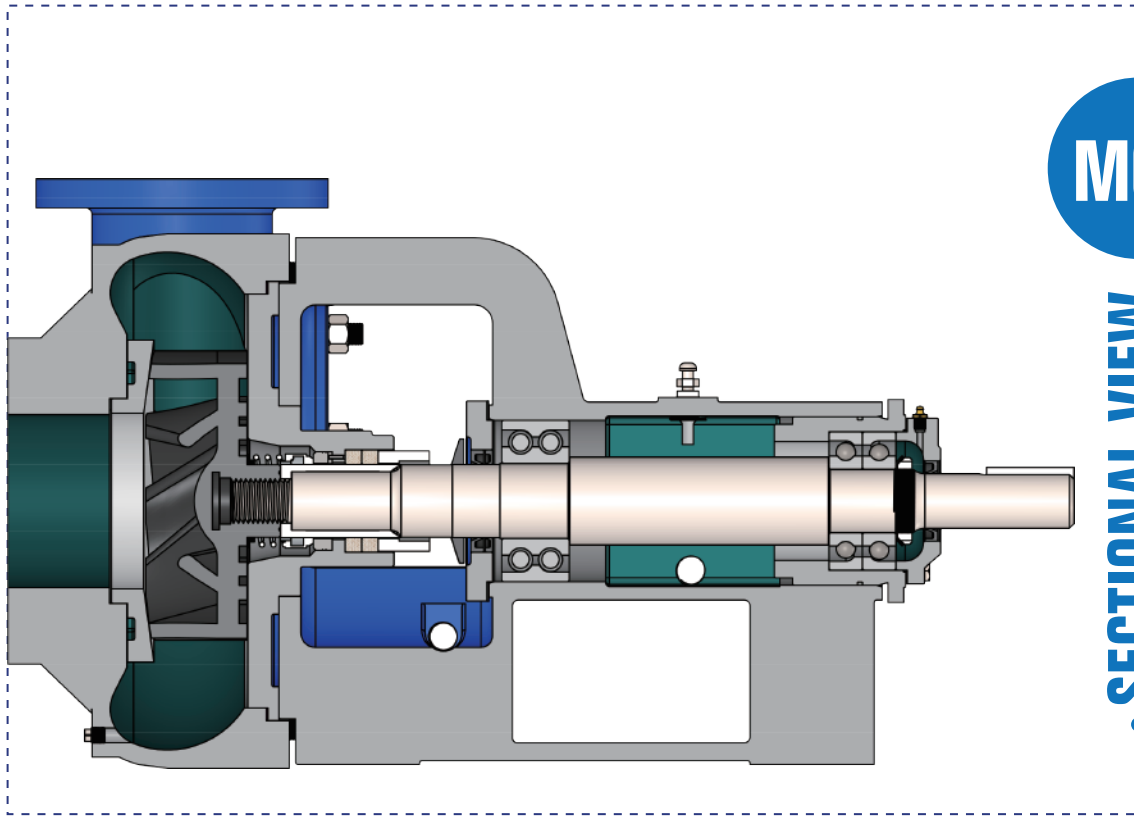




AMOS
A MODEL OF SUCCESS IN FLUID TECHNOLOGY



MCO SERIES MUD PUMP



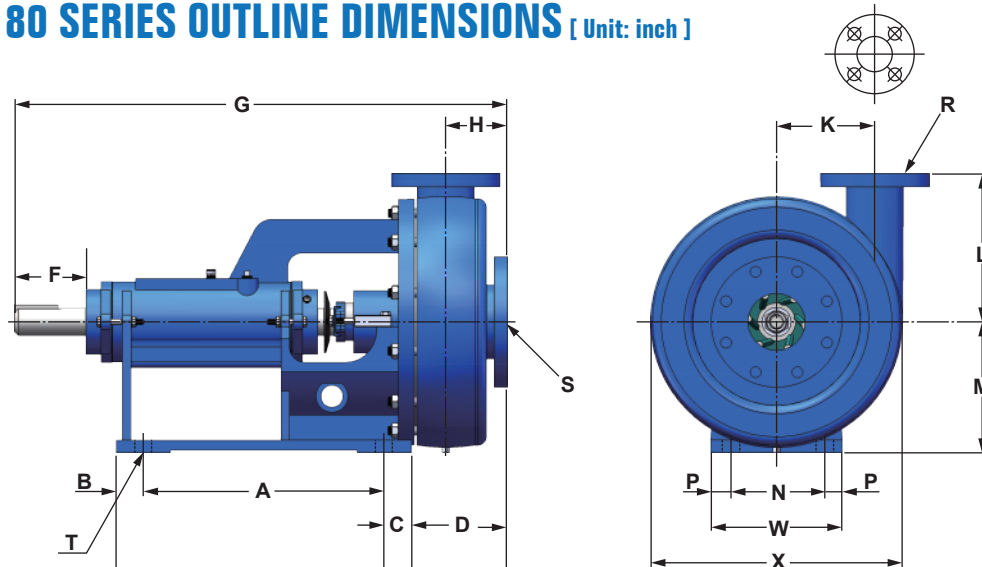
MCO

SECTIONAL VIEW

PRODUCT FEATURES

MCO series pumps are single stage centrifugal mud pump. They are applied to barite & mineral oil based drilling mud, bentonite, salt water slurry, chemical industry, etc. Thick, strong, concentric casing with replaceable casing wear pad provides extended life over conventional volute designs. Wide semi-open impeller creates lower axial thrust for improved bearing life, and semi-open design reduces the concentration of solids behind the impeller, extending the life of the mechanical seal or packing and stuffing box. There are two mechanical seal alternative, single or double mechanical seal. This stuffing box can be configured for flush lines.

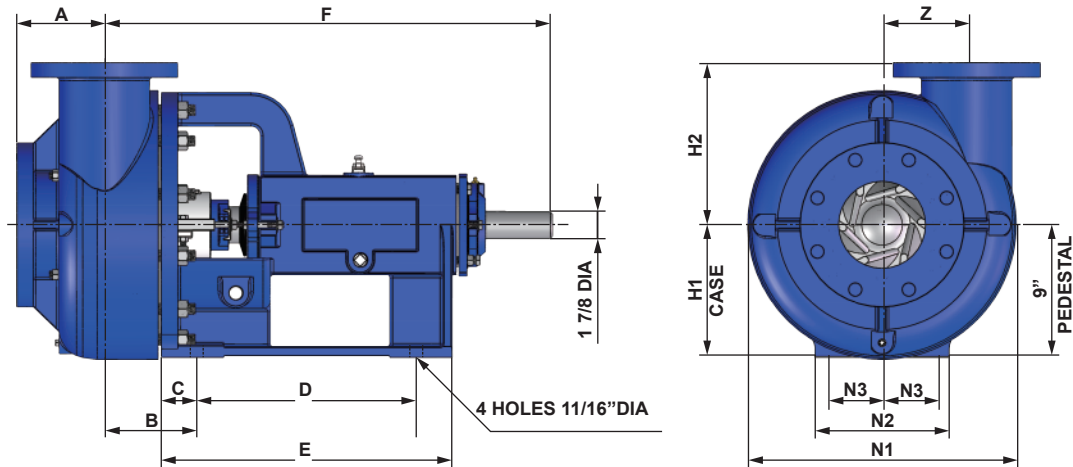
▼ MCO 1180 SERIES OUTLINE DIMENSIONS [Unit: inch]



SERIES PEDESTAL, HOUSING & INSTALLATION DIMENSIONS

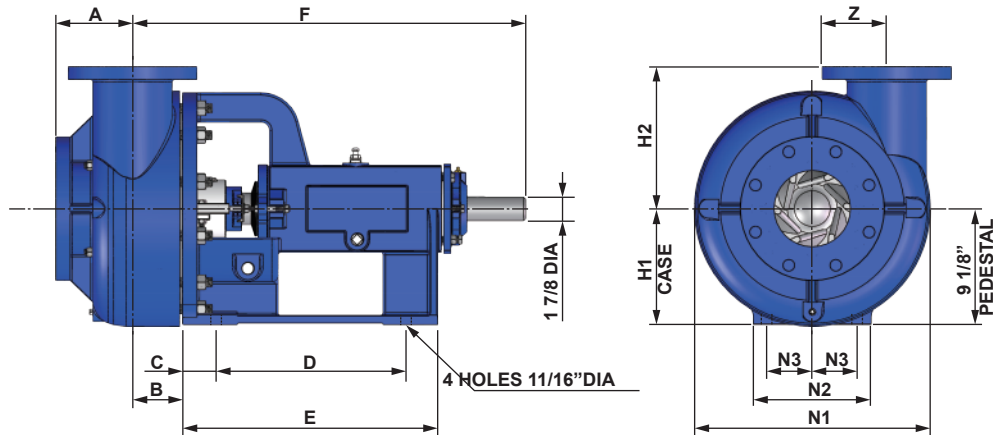
PUMP SIZE	A	B	C	D	F	G	H	K	L	M	N	P	R	S	T	W	X
2x3 R & L	13	1-7/16	2-3/8	5-1/2	3-5/16	26-1/4	3-3/4	5-1/2	7-3/4	7	4-1/4	7/8	2	3	(4)-11/16	6	12
3x4 R & L	13	1-7/16	2-3/8	6-5/8	3-5/16	26-1/4	4-1/4	5	8	7	4-1/4	7/8	3	4	(4)-11/16	6	12-3/4

▼ MCO 2500 SERIES OUTLINE DIMENSIONS [Unit: inch]



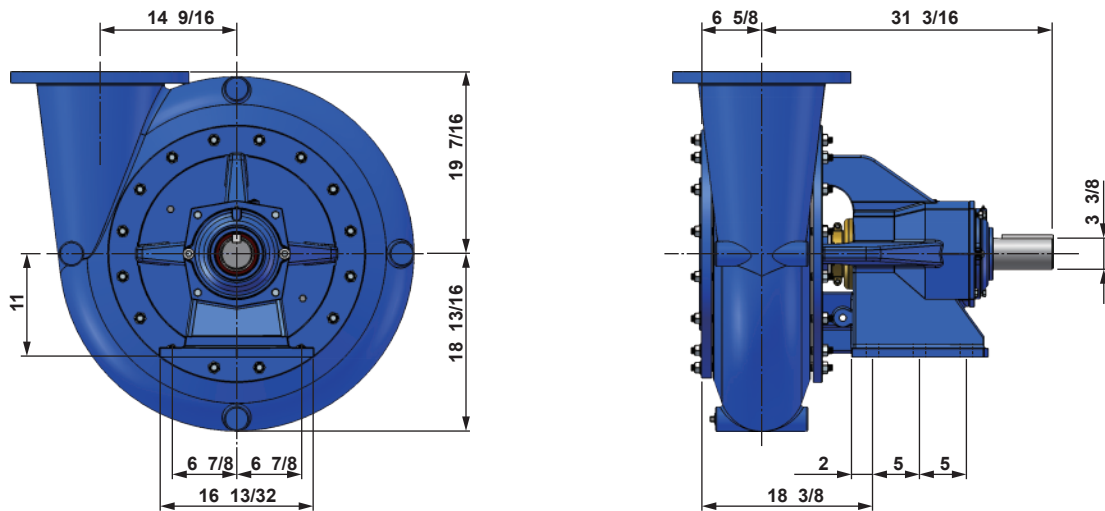
PUMP SIZE	SUCT.	DISC.	A	F	H1	H2	Z	B	C	D	E	N1	N2	N3
3X2-13	3	2	3 3/4	29 1/4	8 15/16	10 1/4	7	8 3/4	2 5/16	15 7/16	19 7/16	17 7/8	9	3 1/2
4X3-13	4	3	4 1/4	29 3/8	8 15/16	10 1/4	6 3/4	9 3/8	2 5/16	15 7/16	19 7/16	17 7/8	9	3 1/2
5X4-14	5	4	5	30	9 1/2	11	6 1/8	10 3/4	2 5/16	15 7/16	19 7/16	19	9	3 1/2
6X5-11	6	5	5 3/4	30 11/16	9 1/16	11	6	12 1/16	2 5/16	15 7/16	19 7/16	17 7/8	9	3 1/2
6X5-14	6	5	5 3/4	30 5/8	10 1/2	11	6	12 1/16	2 5/16	15 7/16	19 7/16	21	9	3 1/2
8X6-11	8	6	6 1/4	31 1/4	10	14	8 3/8	13 1/4	2 5/16	15 7/16	19 7/16	23 7/8	9	3 1/2
8X6-14	8	6	6 1/4	31 1/4	11 13/16	14	8 3/8	13 1/4	2 5/16	15 7/16	19 7/16	23 7/8	9	3 1/2
10X8-14	10	8	6 11/16	31 1/4	11 3/16	14 3/16	8	13 11/16	2 5/16	15 7/16	19 7/16	22 7/8	9	3 1/2

▼ MCO SM SERIES OUTLINE DIMENSIONS [Unit: inch]



PUMP SIZE	SUCT.	DISC.	A	F	H1	H2	Z	B	C	D	E	N1	N2	N3
3X2-13	3	2	3 3/4	25 1/16	8 15/16	10 1/4	7	8 3/4	4	11 1/4	17 3/4	17 7/8	15 1/4	6 9/16
4X3-13	4	3	4 1/4	25 1/8	8 15/16	10 1/4	6 3/4	9 3/8	4	11 1/4	17 3/4	17 7/8	15 1/4	6 9/16
5X4-14	5	4	5	25 13/16	9 1/2	11	6 1/8	10 3/4	4	11 1/4	17 3/4	19	15 1/4	6 9/16
6X5-11	6	5	5 3/4	26 3/8	9 1/16	11	6	12 1/16	4	11 1/4	17 3/4	17 7/8	15 1/4	6 9/16
6X5-14	6	5	5 3/4	26 3/8	10 1/2	11	6	12 1/16	4	11 1/4	17 3/4	21	15 1/4	6 9/16
8X6-11	8	6	6 1/4	27 1/16	10	14	8 3/8	13 1/4	4	11 1/4	17 3/4	20	15 1/4	6 9/16
8X6-14	8	6	6 1/4	27 1/16	11 13/16	14	8 3/8	13 1/4	4	11 1/4	17 3/4	23 9/16	15 1/4	6 9/16
10X8-14	10	8	6 11/16	27 1/16	11 3/16	14 3/16	8	13 11/16	4	11 1/4	17 3/4	22 3/8	15 1/4	6 9/16

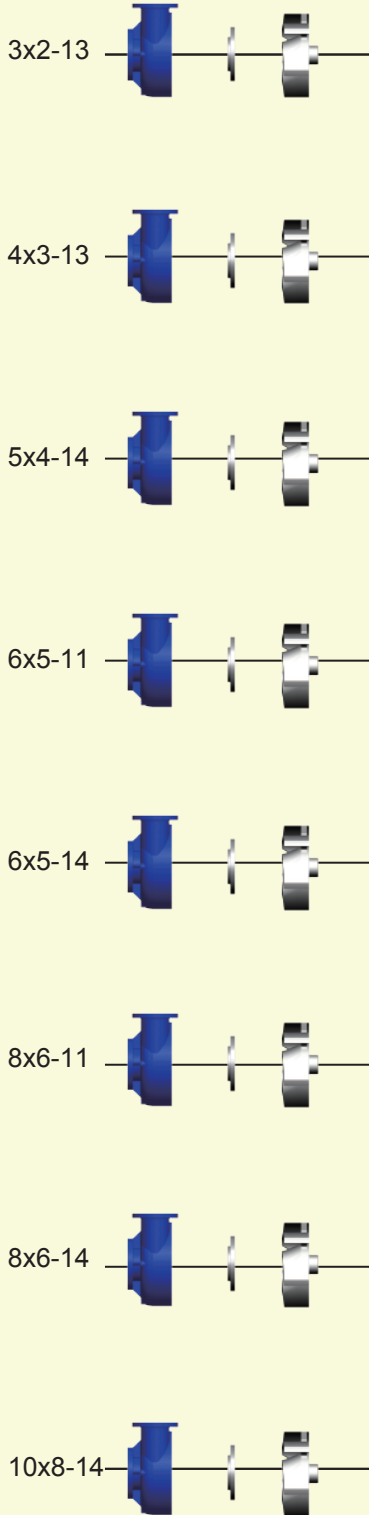
▼ MCO-XP SERIES OUTLINE DIMENSIONS [Unit: inch]



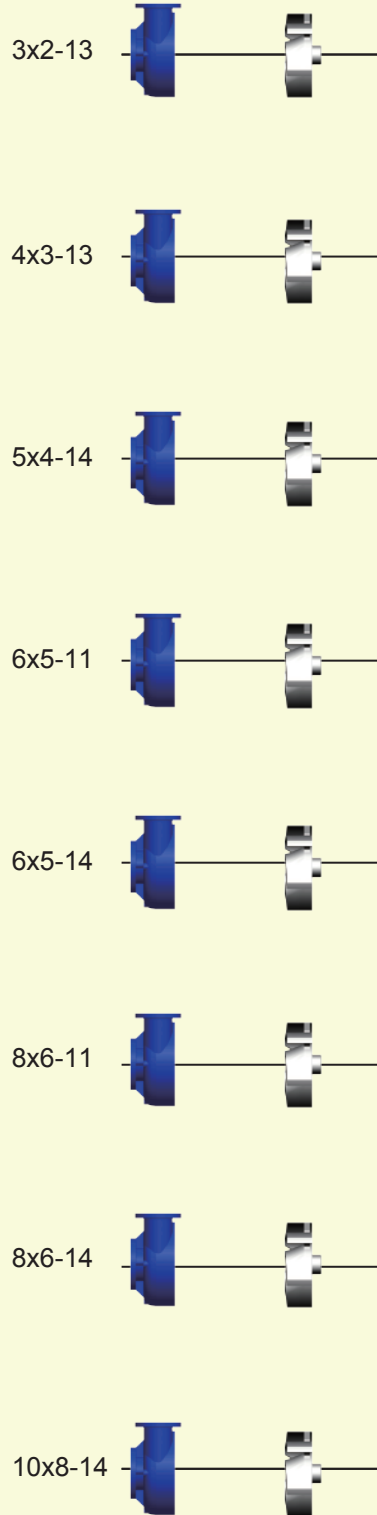
1 THE DISCHARGE FLANGE DRILLING FOR THE 14 x 12 XP HAS 12 HOLES, 10 HOLES THRU 1" DIA. & 2 HOLES TAPPED 7/8-9UNC-2B AS SHOWN, ON A 17" DIA. B.C

MODEL MCO INTERCHANGEABILITY & OUTLINE DIMENSION DRAWING

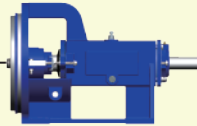
2500 Series



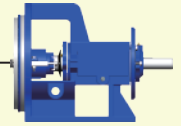
SM Series



Rotor Assembly



Rotor Assembly



PERFORMANCE CHARTS

