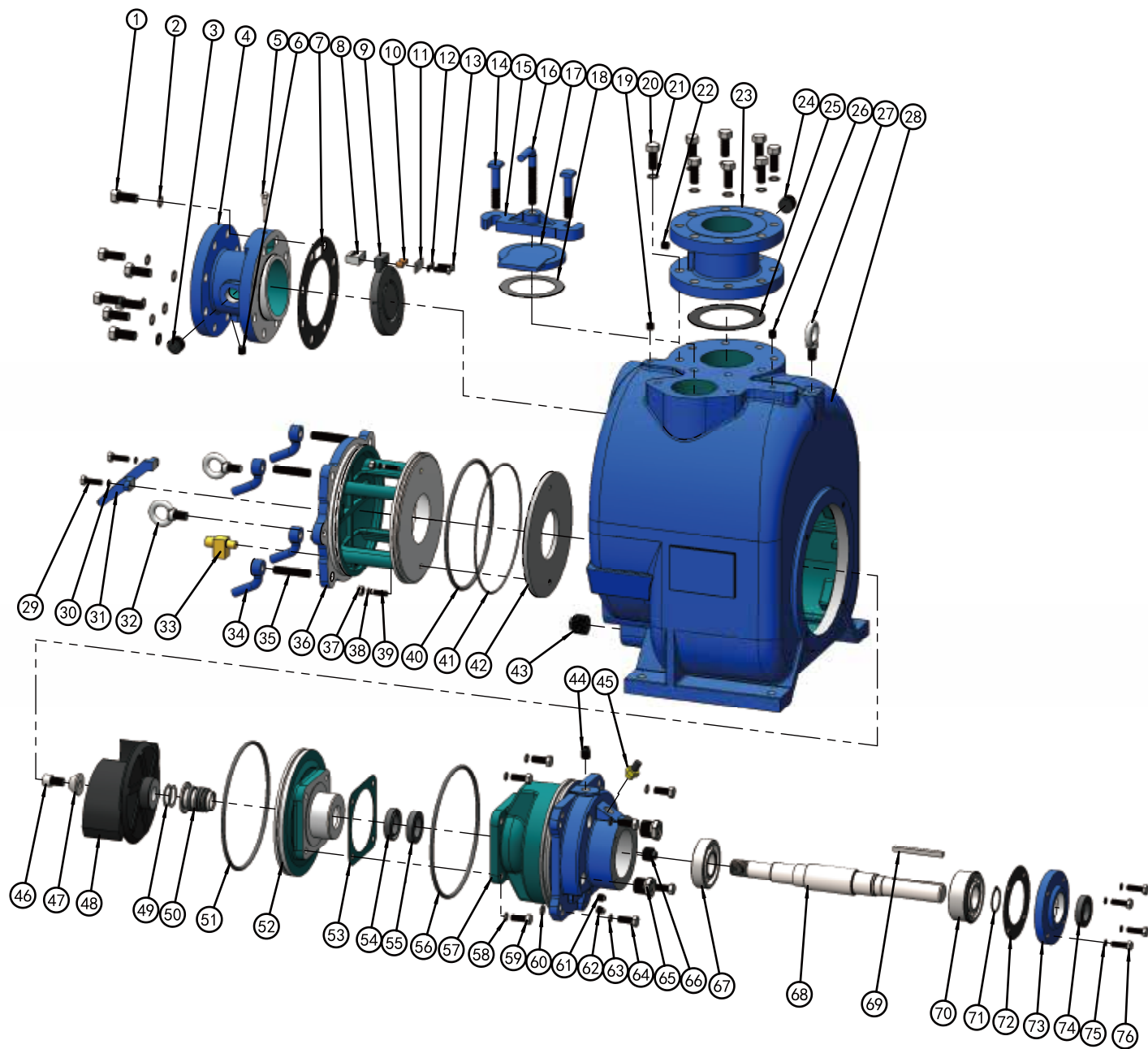


▲ MCST-4  
90° SECTIONAL VIEW



## PARTS LIST PUMP MODEL MCST 4"

ITEM NO.	PART NAME	PART NUMBER	MAT'L	QTY.	ITEM NO.	PART NAME	PART NUMBER	MAT'L	QTY.
1	HEXHD CAPSCREW	101001508002	Q235	8	23	DISCHARGE FLANGE	348200000004A	HT250	1
2	LOCKWASHER	111010100058	Q235	8	24	PIPE PLUG	105101000114	Q235	1
3	PIPE PLUG	105101000001	Q235	1	25	* GSKT, DISCH FLANGE	118200610155	NBR	1
4	SUCTION FLANGE	347200000004A	HT250	1	26	PIPE PLUG	105501000014	Q235	1
5	* CHECK VALVE	101410042018	304SS	1	27	LIFTING BOLT	104500000016	Q235	1
6	PIPE PLUG	105401000014	Q235	1	28	PUMP CASING	301201000004A	HT250	1
7	* SUCTION FLANGE GSKT	118200510225	NBR	1	29	HEXHD CAPSCREW	101001380001	Q235	2
8	* PIVOT CAP	344200000004D	304SS	1	30	LOCKWASHER	111010100038	Q235	2
9	* SHECK VALVE	118201210166	NBR	1	31	COVER PLATE HANDLE	313210003468C	WCB	1
10	* BRONZE PIPE	188200200010N	BRONZE	2	32	LIFTING BOLT	104500000022	Q235	2
11	* GSKT,PIVOT CAP	118201400139	304SS	1	33	* PRESS RELE VALVE	188200300012N	BRASS	1
12	* LOCKWASHER	111011000008	304SS	2	34	HAND NUT	312200000034C	WCB	4
13	* HEXHD CAPSCREW	101010008030	304SS	2	35	STUD	102301340003	Q235	4
14	MACHINE BOLT	101380058003	Q235	2	36	BACK COVER PLATE	339201000004A	HT250	1
15	CLAMP BAR	345200300000B	QT450-10	1	37	HEXNUT	103011000038	304SS	2
16	CLAMP BAR SCREW	188200100000C	WCB	1	38	LOCKWASHER	111011100038	304SS	2
17	FILL COVER	345200200000B	QT450-10	1	39	STUD	102011380158	304SS	2
18	* GSKT, FILL COVER	118201110127	NBR	1	40	* O-RING	131000252070	NBR	1
19	PIPE PLUG	105501000014	Q235	1	41	* O-RING	131000255355	NBR	1
20	HEXHD CAPSCREW	101001508002	Q235	8	42	* WEAR PLATE ASSY	338200000004O	Q235	1
21	LOCKWASHER	111010100058	Q235	8	43	PIPE PLUG	105101000114	Q235	1
22	PIPE PLUG	105401000014	Q235	1					

## PARTS LIST \*ROTATING ASSEMBLY

ITEM NO.	PART NAME	PART NUMBER	MAT'L	QTY.	ITEM NO.	PART NAME	PART NUMBER	MAT'L	QTY.
44	PIPE PLUG	105101000013	Q235	1	61	PIPE PLUG	105401000014	Q235	1
45	* AIR VENT PLUG	199000000052	BRASS	1	62	PIPE PLUG	105401000014	Q235	1
46	* SOCKET HD CAPSCREW	101111580001	304SS	1	63	LOCKWASHER	111010100012	Q235	4
47	* IMPELLER NUT	111203000061	304SS	1	64	HEX HD CAPSCREW	101001120112	Q235	4
48	* IMPELLER	302202000004B	QT450	1	65	SIGHT GAUGE	114200000003	304SS	2
49	* IMPELLER ADJ SHIM SET	188200400445D	304SS	2-7	66	PIPE PLUG	105101100034	Q235	1
50	* MECHANICAL SEAL	107420115001	S-S-FKM-316-630	1	67	* INBOARD BALL BRG	106020063090	NA	1
51	* O-RING	131000248035	NBR	1	68	* IMPELLER SHAFT	305201000004Q	4140	1
52	SEAL PLATE	303202000004A	HT250	1	69	* SHAFT KEY	110011038312	304SS	1
53	* SEAL PLATE GSKT	118200100151	ARAMID FIBERS	1	70	* OUTBOARD BALL BRG	106020053091	NA	1
54	* OIL SEAL	109010040013	NBR	1	71	BRG SNAP RING	112040000045	65Mn	1
55	* OIL SEAL	109010040013	NBR	1	72	* GSKT, BRG COVER	118201000147	ARAMID FIBERS	1
56	* O-RING	131000252070	NBR	1	73	BRG COVER,INBOARD	341200000034A	HT250	1
57	BRG HOUSING	304201000004A	NBR	1	74	* OIL SEAL	109010040013	NBR	1
58	LOCKWASHER	111011100012	304SS	4	75	LOCKWASHER	111010100038	Q235	4
59	HEX HD CAPSCREW	101011120114	304SS	4	76	HEX HD CAPSCREW	101001380114	Q235	4
60	FLAT WASHER	111000251316	Q235	8					

\*INDICATES PARTS RECOMMENDED FOR STOCK.

IF YOUR PUMP IS NOT A STANDARD PRODUCTION MODEL, CONTACT THE M&C PUMPS CO.,LTD TO VERIFY PART NUMBERS.