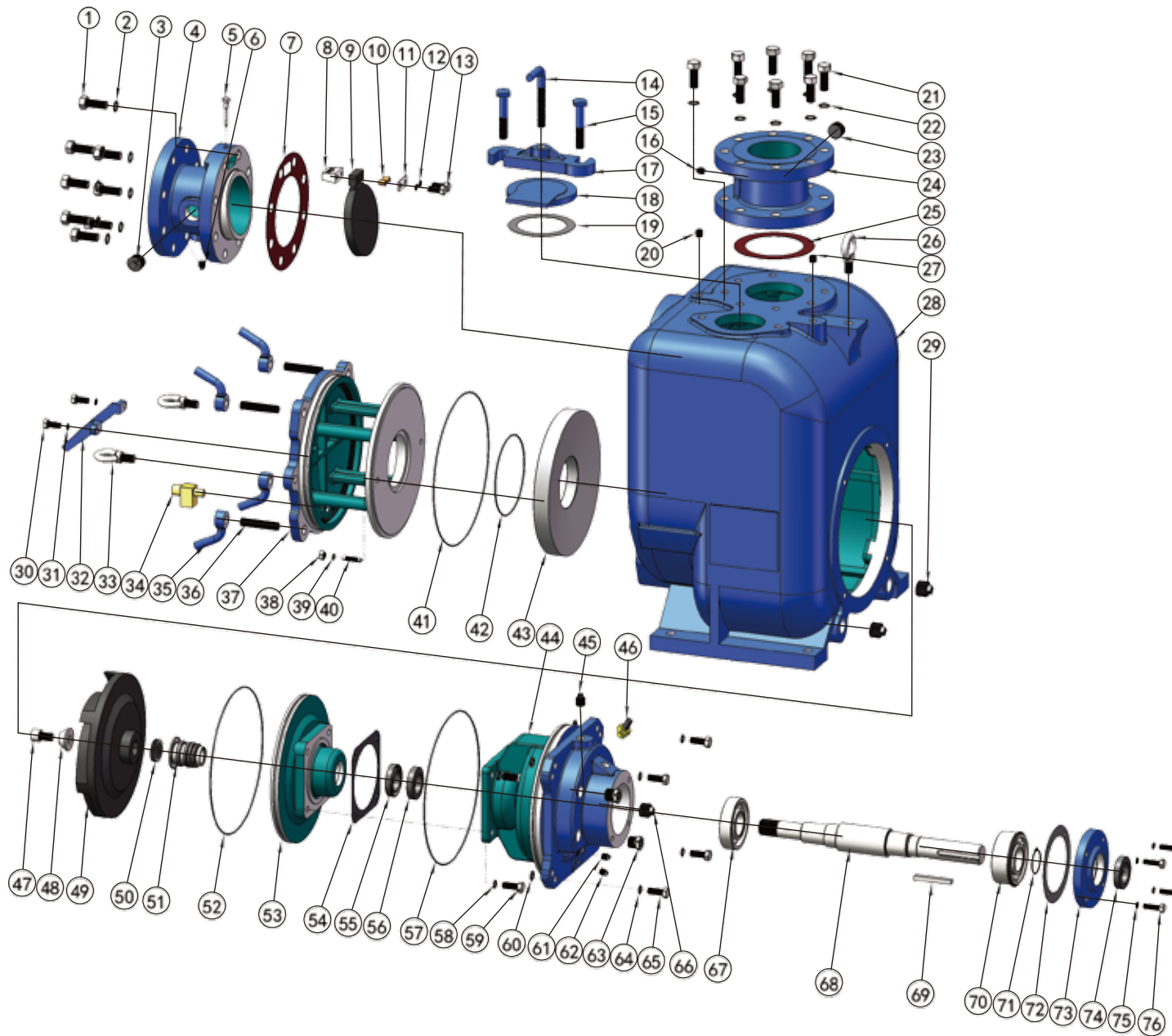


▲ MCSU-4
90° SECTIONAL VIEW



PARTS LIST PUMP MODEL MCSU 4"

ITEM NO.	PART NAME	PART NUMBER	MAT'L	QTY.	ITEM NO.	PART NAME	PART NUMBER	MAT'L	QTY.
1	BOLT	101001508002	Q235	8	23	PLUG	105101000001	Q235	1
2	LOCK WASHER	111010100058	Q235	8	24	DISCH FLG	348200000004A	HT250	1
3	PLUG	105101000001	Q235	1	25	* DISCH FLG GSKT	118200610155	NBR	1
4	SUCTION FLG	347200000004A	HT250	1	26	LIFTING BOLT	104500000016	Q235	1
5	* CHECK VALVE PIN	101410042018	304SS	1	27	PLUG	105501000014	Q235	1
6	PIPE PLUG	105401000014	Q235	1	28	CASING	301211000004A	HT250	1
7	* SUCTION FLG GSKT	118200510225	NBR	1	29	PLUG	105101000001	Q235	2
8	* PIVOT CAP	344200000004D	304SS	1	30	CAPSCREW	101001380001	Q235	2
9	* CHECK VALVE	118201210166	NBR	1	31	SPRING WASHER	111010100038	Q235	2
10	* BRONZE PIPE	188200200010N	BRONZE	2	32	CVR PLATE HANDLE	313210003468C	WCB	1
11	* WASHER, PIVOT CAP	118201400139	304SS	1	33	LIFTING BOLT	104500000022	Q235	2
12	* SPRING WASHER	111011000008	304SS	2	34	* PRESS RELEASE VALVE	188200300012N	BRASS	1
13	* CAPSCREW, FLAP VALVE	101010008030	304SS	2	35	HAND NUT	312200000034C	WCB	4
14	CLAMP BAR SCREW	188200100000C	WCB	1	36	STUD	102301340003	Q235	4
15	MACHINE BOLT	101380058003	Q235	2	37	COVER PLATE	339211000004A	HT250	1
16	PLUG	105401000014	Q235	1	38	HEXNUT	103011000038	304SS	2
17	CLAMP BAR	345200300000B	QT450-10	1	39	SPRING WASHER	111011100038	304SS	2
18	FILL CVR	345200200000B	QT450-10	1	40	STUD	102011380158	304SS	2
19	* FILL CVR GSKT	118201110127	NBR	1	41	* O-RING	131000290355	NBR	1
20	PLUG	105501000014	Q235	1	42	* O-RING	131000150355	NBR	1
21	CAPSCREW	101001508002	Q235	8	43	* WEAR PLATE ASSY	338210000004B	QT450-10	1
22	SPRING WASHER	111010100058	Q235	8					

PARTS LIST *ROTATING ASSEMBLY

ITEM NO.	PART NAME	PART NUMBER	MAT'L	QTY.	ITEM NO.	PART NAME	PART NUMBER	MAT'L	QTY.
44	BRG HOUSING	304211000034A	HT250	1	61	PIPE PLUG	105401000014	Q235	1
45	PLUG	105101000013	Q235	1	62	PIPE PLUG	105401000014	Q235	1
46	AIR VENT PLUG	199000000052	BRASS	1	63	SIGHT GAUGE	114200000003	304SS	2
47	* SOCKET HD CAPSCREW	101111580001	304SS	1	64	SPRING WASHER	111010100012	Q235	4
48	* IMPELLER WASHER	111203000061	304SS	1	65	CAPSCREW	101001120112	Q235	4
49	* IMPELLER	302212000004B	QT450-10	1	66	PIPE PLUG	105101100034	Q235	1
50	* IMPELLER ADJ SHIM SET	188200400445D	304SS	7	67	* INBOARD BALL BRG	106020063090	NA	1
51	* MECHANICAL SEAL	107420015001	S-S-FKM-316-630	1	68	* SHAFT	305211000004Q	4140	1
52	* O-RING	131000280355	NBR	1	69	* SHAFT KEY	110011038300	304SS	1
53	SEAL PLATE	303212000004A	HT250	1	70	* OUTBOARD BALL BRG	106020053091	NA	1
54	* SEAL PLATE GSKT	118200100151	ARAMID FIBERS	1	71	BRG SNAP RING	112040000045	65Mn	1
55	* OIL SEAL	109010040013	NBR	1	72	* GSKT, BRG COVER	118201000147	ARAMID FIBERS	1
56	* OIL SEAL	109010040013	NBR	1	73	BRG COVER , INBOARD	341200000034A	HT250	1
57	O-RING	131000290355	NBR	1	74	* OIL SEAL	109010040013	NBR	1
58	SPRING WASHER	111011100012	304SS	4	75	SPRING WASHER	111010100038	Q235	4
59	CAPSCREW	101011120114	304SS	4	76	CAPSCREW	101001380114	Q235	4
60	FLAT WASHER	111000251316	Q235	8					

*INDICATES PARTS RECOMMENDED FOR STOCK.

IF YOUR PUMP IS NOT A STANDARD PRODUCTION MODEL, CONTACT THE M&C PUMPS CO.,LTD TO VERIFY PART NUMBERS.