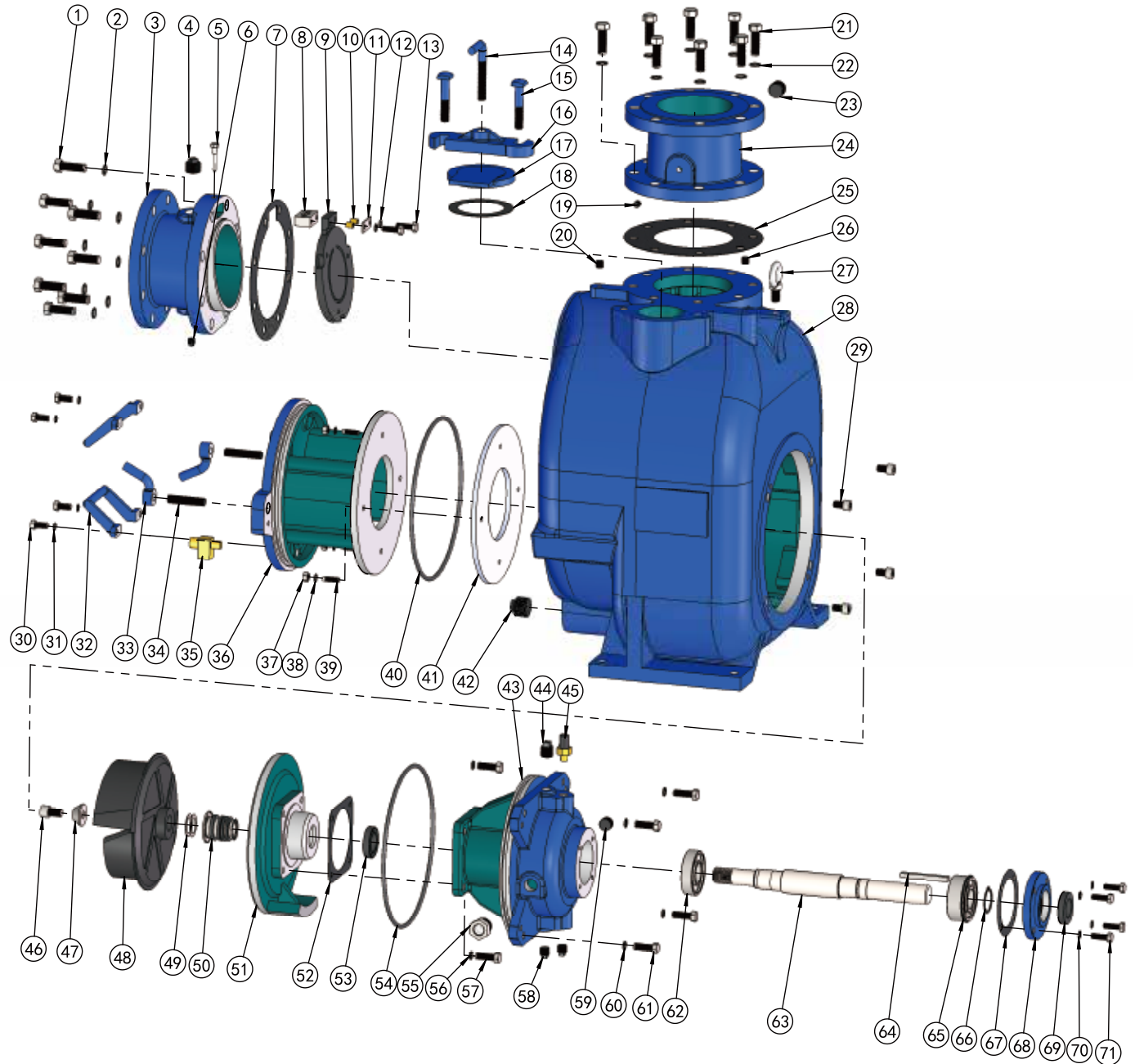


▲ MCT-6
90° SECTIONAL VIEW



PARTS LIST PUMP MODEL MCT 6"

ITEM NO.	PART NAME	PART NUMBER	MAT'L	QTY.	ITEM NO.	PART NAME	PART NUMBER	MAT'L	QTY.
1	HEX HD CAPSCREW	101001340002	Q235	8	22	LOCKWASHER	111010100034	Q235	8
2	LOCKWASHER	111010100034	Q235	8	23	PIPE PLUG	105101000001	Q235	1
3	SUCTION FLANGE	347200000006A	HT250	1	24	DISCH FLANGE	348200000006A	HT250	1
4	PIPE PLUG	105101000001	Q235	1	25	* GSKT, DISCH FLANGE	118200610217	NBR	1
5	* CHECK VALVE PIN	101410042014	304SS	1	26	PIPE PLUG	105501000014	Q235	1
6	PIPE PLUG	105401000014	Q235	1	27	LIFTING BOLT	104500000016	Q235	1
7	* GSKT, SUCTION FLANGE	118200510275	NBR	1	28	PUMP CASING	301200000006A	HT250	1
8	* PIVOT CAP	344200000006D	304SS	1	29	SOCKET HD CAPSCREW	101111121100	304SS	4
9	* CHECK VALVE	118201210218	NBR	1	30	HEX HD CAPSCREW	101001380001	Q235	4
10	* BRONZE PIPE	188200200010N	BRONZE	2	31	LOCKWASHER	111010100038	Q235	4
11	* WASHER, PIVOT CAP	118201400050	304SS	1	32	CVR PLATE HANDLE	313210003468C	WCB	2
12	* LOCKWASHER	111011000008	304SS	2	33	HAND NUT	312200000034C	WCB	2
13	* HEX HD CAPSCREW	101010008030	304SS	2	34	STUD	102101340312	Q235	2
14	CLAMP BAR SCREW	188200100000C	WCB	1	35	* PRESS RELIEF VALVE	188200300012N	BRASS	1
15	MACHINE BOLT	101380058003	Q235	2	36	COVER PLATE	339200000006A	HT250	1
16	CLAMP BAR	345200300000B	QT450-10	1	37	HEX NUT	103011000038	304SS	4
17	FILL COVER PLATE	345200200000B	QT450-10	1	38	LOCKWASHER	111011100038	304SS	4
18	* GSKT, FILL COVER PLATE	118201110127	NBR	1	39	STUD	102011380158	304SS	4
19	PIPE PLUG	105401000014	Q235	1	40	* O-RING	131000316070	NBR	1
20	PIPE PLUG	105501000014	Q235	1	41	* WEAR PLATE ASSY	420031000006O	Q235	1
21	HEX HD CAPSCREW	101001340002	Q235	8	42	PIPE PLUG	105101000114	Q235	1

PARTS LIST *ROTATING ASSEMBLY

ITEM NO.	PART NAME	PART NUMBER	MAT'L	QTY.	ITEM NO.	PART NAME	PART NUMBER	MAT'L	QTY.
43	BRG HOUSING	304200000006A	HT250	1	58	PIPE PLUG	105101000012	Q235	2
44	PIPE PLUG	105101000013	Q235	1	59	PIPE PLUG	105101100034	Q235	1
45	AIR VENT PLUG	199000000052	BRASS	1	60	LOCKWASHER	111010100012	Q235	4
46	* SOCKET HD CAPSCREW	101111580001	304SS	1	61	HEX HD CAPSCREW	101001120158	Q235	4
47	* IMPELLER WASHER	111203000061	304SS	1	62	* INBOARD BALL BRG	106020063080	NA	1
48	* IMPELLER	302200000006B	QT450-10	1	63	* SHAFT	305200000046Q	4140	1
49	* IMPELLER ADJ SHIM SET	188200400445D	304SS	7	64	* SHAFT KEY	110011038400	304SS	1
50	* MECHANICAL SEAL	107420115001	S-S-FKM-316-630	1	65	* OUTBOARD BALL BRG	106020053086	NA	1
51	* SEAL PLATE	303200000006A	HT250	1	66	RETAINING RING	112040000040	65Mn	1
52	* GSKT, SEAL PLATE	118200100151	ARAMID FIBERS	1	67	* GSKT, BRG COVER	118201000136	ARAMID FIBERS	1
53	* OIL SEAL	109010040013	NBR	1	68	BRG COVER	341200004634A	HT250	1
54	* O-RING	131000316070	NBR	1	69	* OIL SEAL	109010040013	NBR	1
55	SIGHT GAUGE	114200000003	304SS	1	70	LOCKWASHER	111010100038	Q235	4
56	LOCKWASHER	111011100012	304SS	4	71	HEX HD CAPSCREW	101001380114	Q235	4
57	HEX HD CAPSCREW	101011120112	304SS	4					

*INDICATES PARTS RECOMMENDED FOR STOCK.

IF YOUR PUMP IS NOT A STANDARD PRODUCTION MODEL, CONTACT THE M&C PUMPS CO.,LTD TO VERIFY PART NUMBERS.