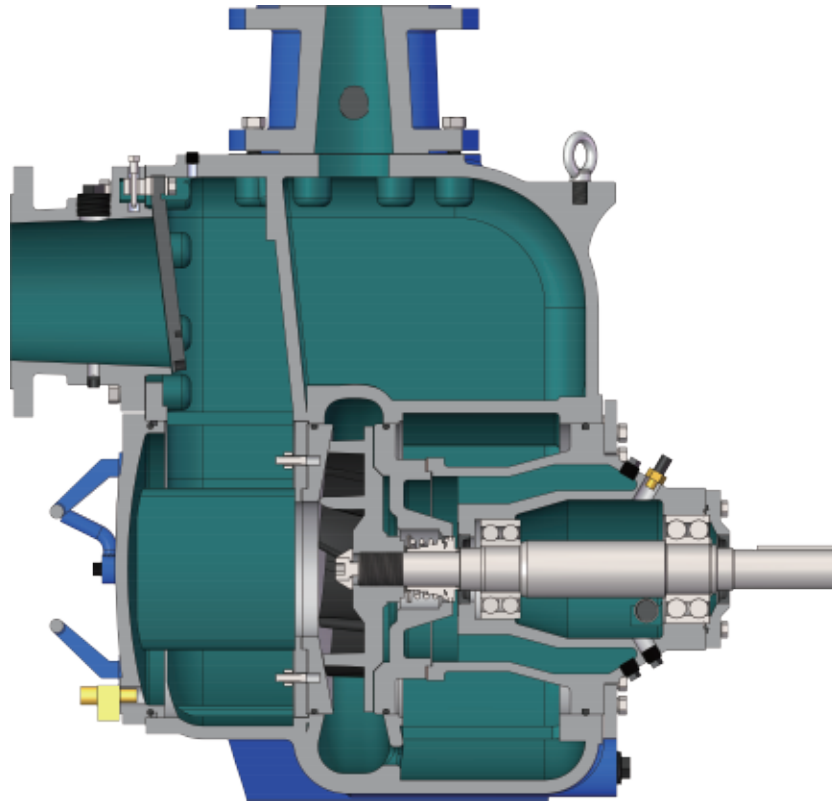




AMOS
A MODEL OF SUCCESS IN FLUID TECHNOLOGY



MCU SERIES HIGH HEAD SELF PRIMING TRASH PUMP



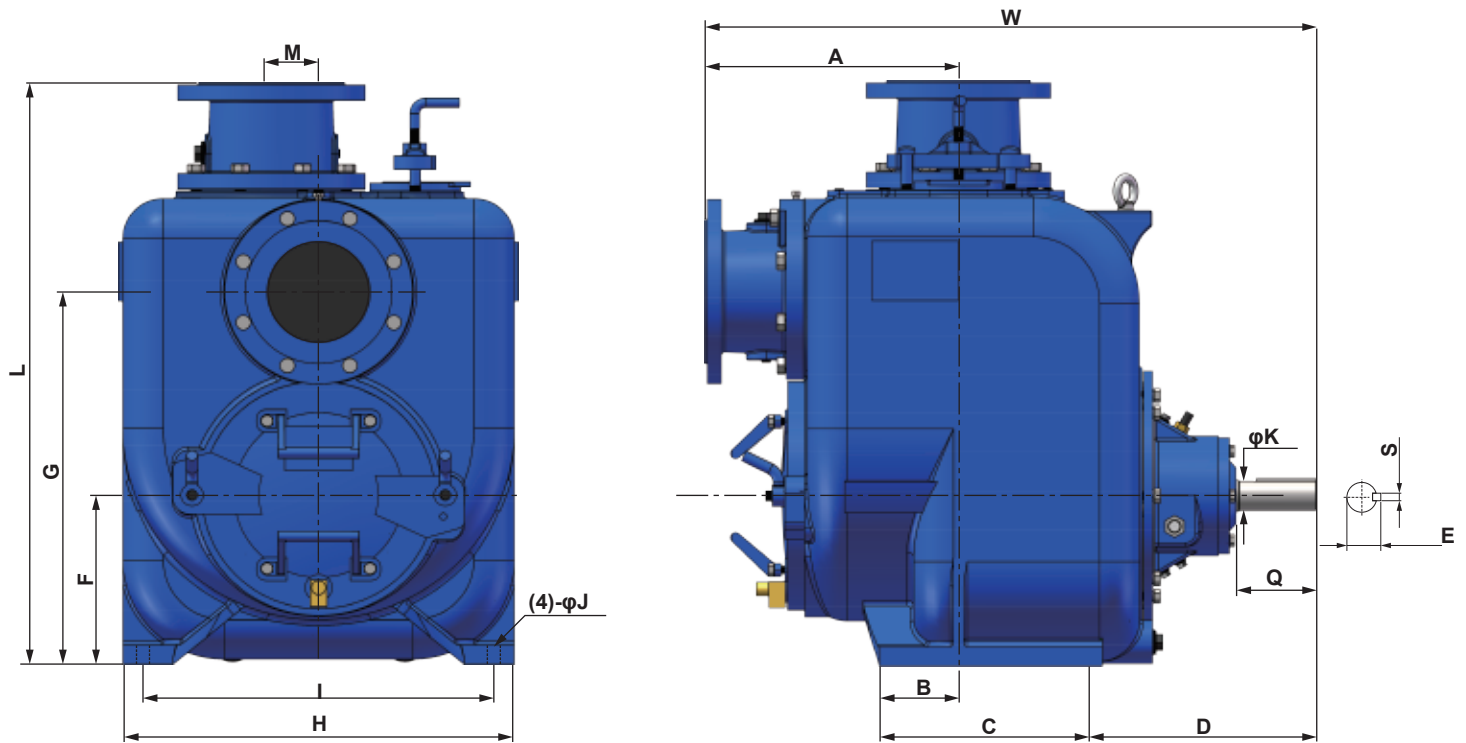
MCU

SECTIONAL VIEW

PRODUCT FEATURES

MCU series high head pumps are designed for economical, trouble-free operation with excellent trash handling capacity. Two-vane, semi-open solids handling impeller handles up to 3" diameter solids. The impeller, seal, wears plate and flap valve can all be accessed through the cover plate opening for inspection or service. Atmospheric barrier along with a lip seal provide additional protection of bearings, also allows external monitoring. Cartridge mechanical seal is specifically designed for abrasive and trash handling service. The entire rotating assembly can be removed without disturbing pump volute or piping .

▼ OUTLINE DIMENSIONS [Unit: mm]



Pump Type	L	G	F	I	H	M	J	W	A	B	C	D	K	Q	S	E	Bare Pump Weight (kg)
MCU-3	27.20	17.00	7.50	15.50	17.24	2.75	0.71	28.89	11.64	3.00	9.00	11.25	1.50	4.00	0.375	1.68	281
MCU-4	29.85	20.00	8.75	18.00	20.08	2.75	0.71	31.44	12.54	3.81	11.00	11.71	1.50	5.00	0.375	1.68	350
MCU-6	34.79	22.37	10.13	20.75	22.84	2.75	0.71	37.21	15.98	3.06	11.00	13.29	1.75	4.63	0.375	1.93	580

PERFORMANCE CHARTS

MCU SERIES HIGH HEAD SELF-PRIMING TRASH PUMP

HEAD
(ft) (m)

