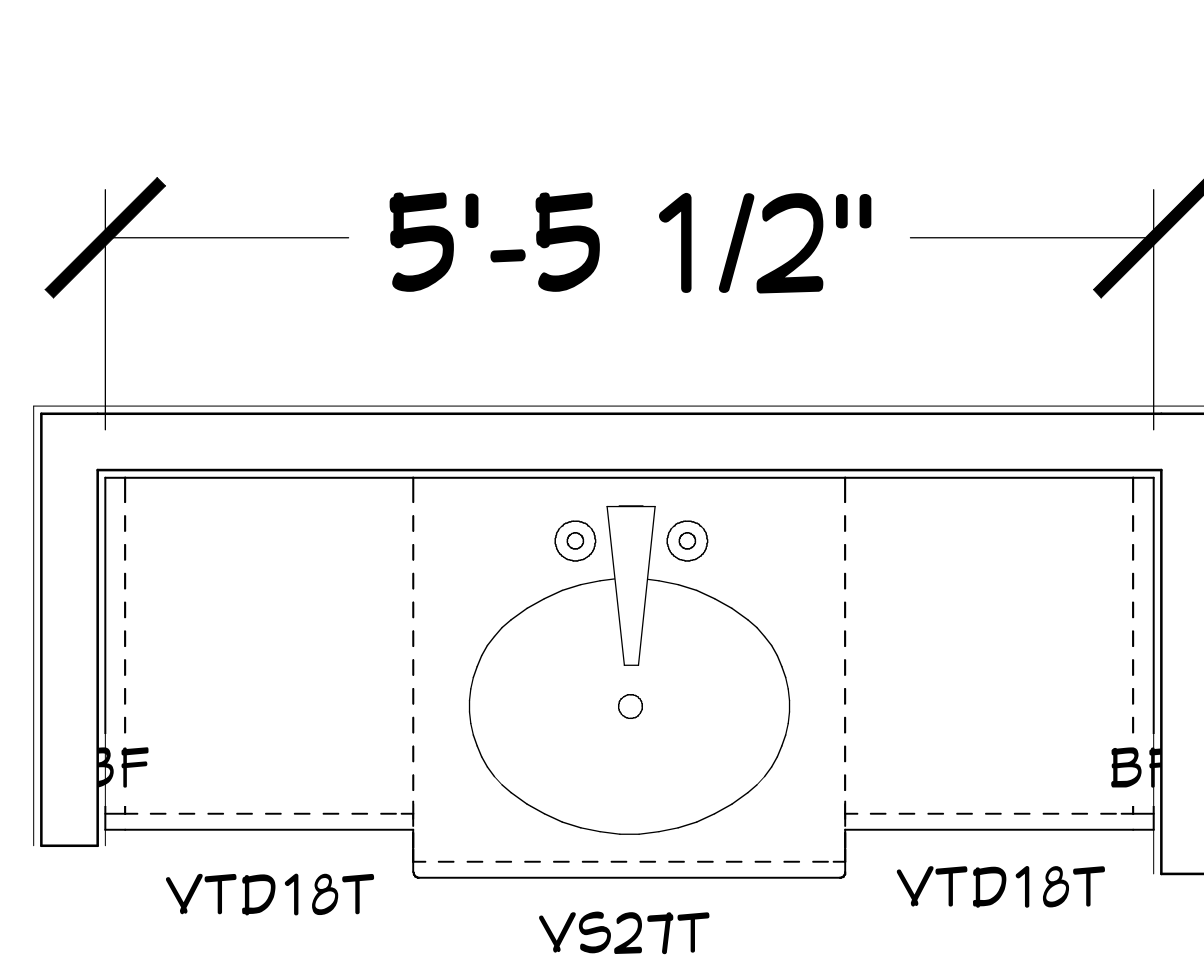
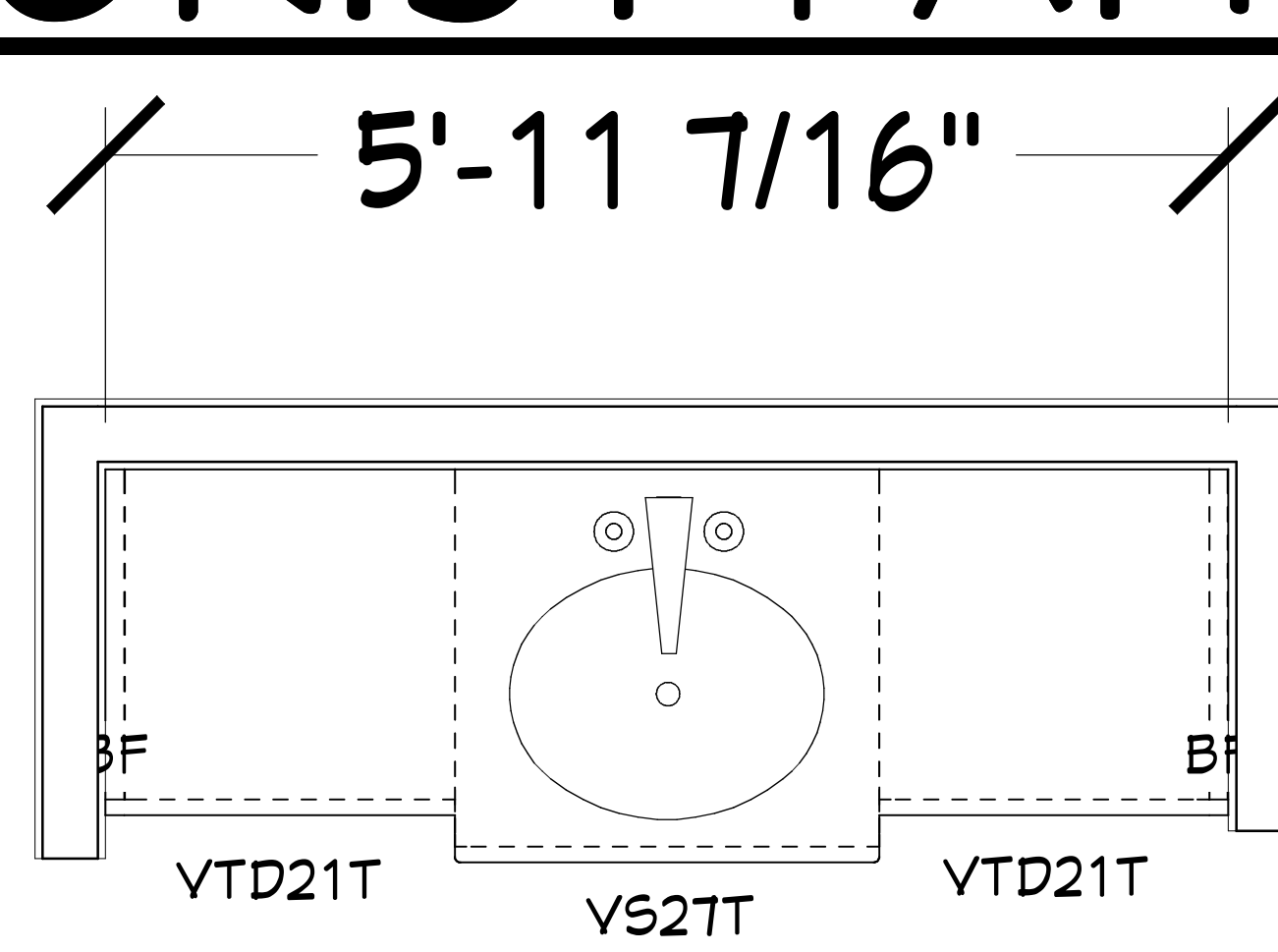


CRIST FAMILY BATHS

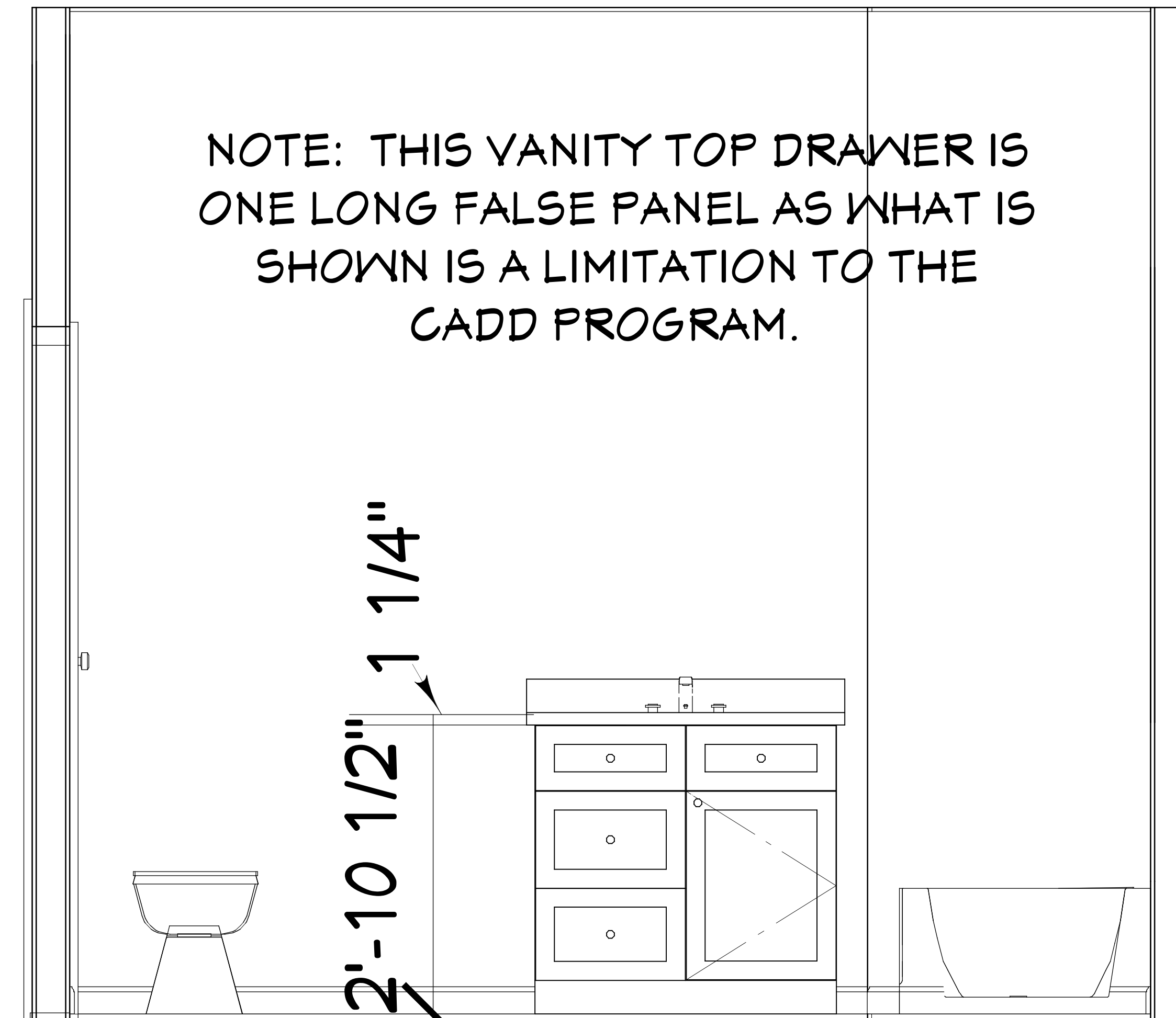
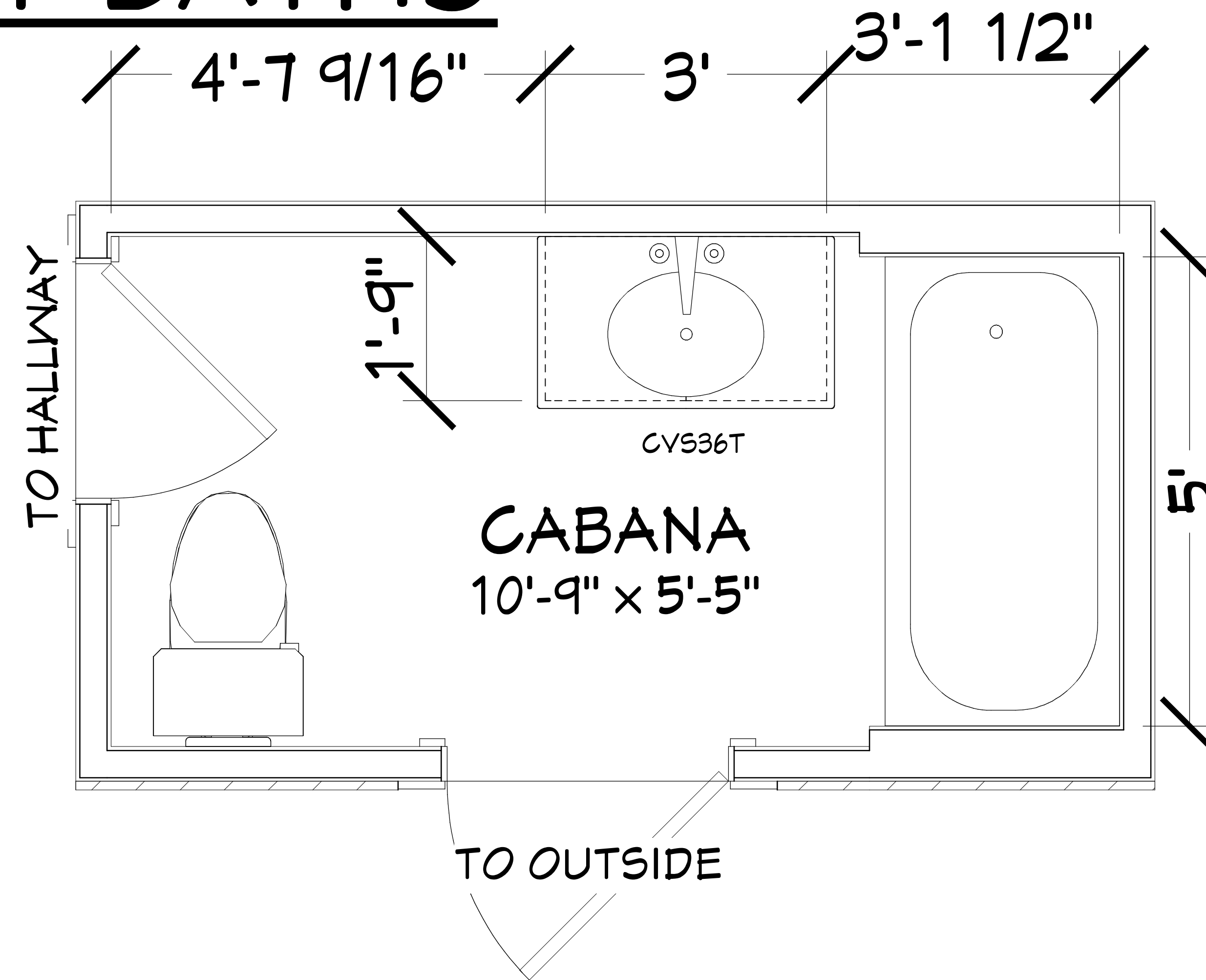
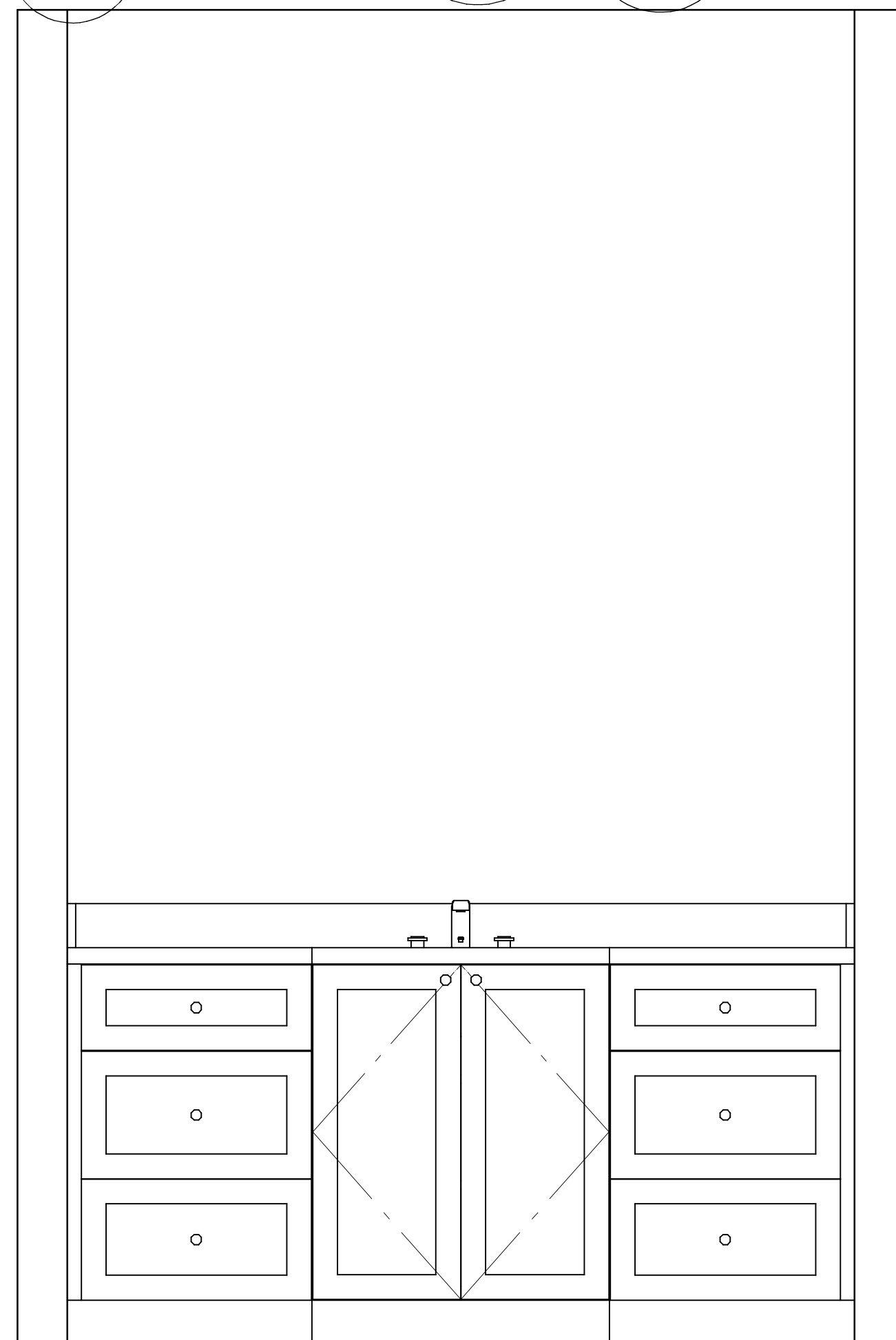
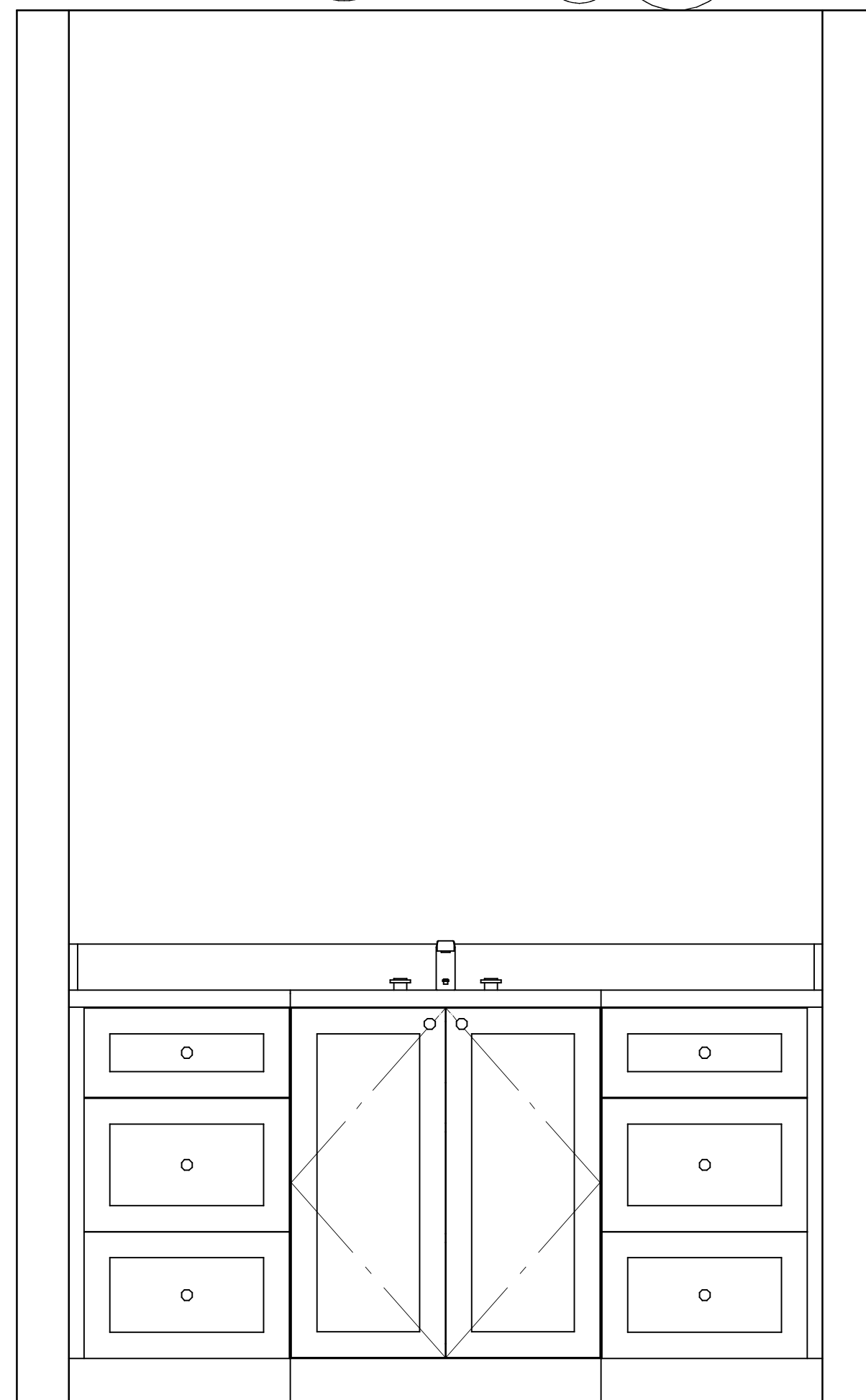


HER SIDE



HIS SIDE

CABINETS: AMERICANA CAPITAL
 COLOR: ARCTIC WHITE
 STYLE: DOVER MAPLE
 HARDWARE: CHROME #53012-26 BY AMEROCK
 TOPS: 3CM (1.25") GRANITE
 SPLASHES: 4 INCHES



NOTE: THIS VANITY TOP DRAWER IS ONE LONG FALSE PANEL AS WHAT IS SHOWN IS A LIMITATION TO THE CADD PROGRAM.

COPYRIGHT 2015 R.E. CHIP MITCHELL & DESIGNS FOR LIVING, LLC

CONTRACTOR, AND OR OWNER SHALL VERIFY ALL DIMENSIONS, DETAILS, AND SPECIFICATIONS PRIOR TO CONSTRUCTION. EVERY ATTEMPT HAS BEEN MADE IN THE PREPARATION OF ALL DOCUMENTS TO AVOID MISTAKES. DESIGNS FOR LIVING, LLC NOR R.E. CHIP MITCHELL SHALL NOT BE LIABLE FOR ERROR AFTER CONSTRUCTION HAS BEGUN.

PLAN #
1502

NO.	DESCRIPTION	BY	DATE

BUILT BY:
Designs for Living, LLC
 RESIDENTIAL DESIGN & CONSULTING
 SINCE 1969
 SERVING N/E FLORIDA SINCE 1978
 904-730-7135

PROJECT DESCRIPTION:
CRIST FAMILY BATHS
 1502 WATERBRIDGE COURT
 FLEMING ISLAND, FL 32003

Bid Drawings provided by:
Designs for Living, LLC
 RESIDENTIAL DESIGN & CONSULTING
 SINCE 1969
 SERVING N/E FLORIDA SINCE 1978
 904-730-7135

DATE:
9/28/2015

SCALE:
1" = 1'-0"

SHEET:

A-1