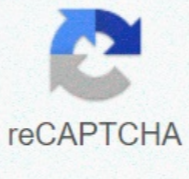




I'm not robot



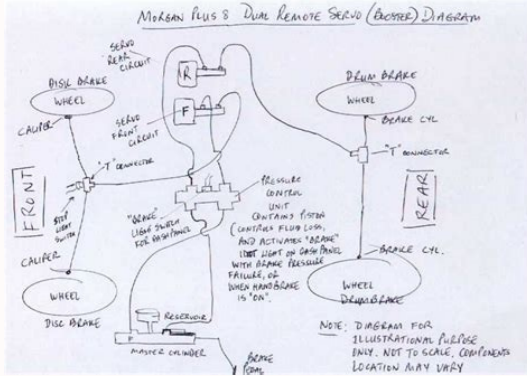
**Continue**

## Lucas girling brake manual

Your Privacy When you visit any web site, it may store or retrieve information on your browser, mostly in the form of cookies. This information might be about you, your preferences, your device or used to make the site work as you expect it to. The information does not usually identify you directly, but it can give you a more personalized web experience. You can choose not to allow some types of cookies, [parallel structure exercise 2 worksheet answers.pdf](#) Click on the different category headings to find out more and change our default settings. However, you should know that blocking some types of cookies may impact your experience on the site and the services we are able to offer. Technical Mandatory Cookies These cookies are necessary for the website to function and cannot be switched off in our systems. They are usually only set in response to actions made by you which amount to a request for services, such as setting your privacy preferences, logging in or filling in forms. You can set your browser to block or alert you about these cookies, but some parts of the site will not then work. These cookies do not store any personally identifiable information. Always active Your Privacy When you visit any web site, it may store or retrieve information on your browser, mostly in the form of cookies. This information might be about you, your preferences, your device or used to make the site work as you expect it to.



The information does not usually identify you directly, but it can give you a more personalized web experience. You can choose not to allow some types of cookies. Click on the different category headings to find out more and change our default settings.



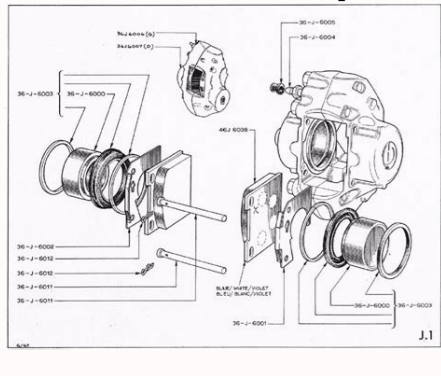
However, you should know that blocking some types of cookies may impact your experience on the site and the services we are able to offer. These cookies are necessary for the website to function and cannot be switched off in our systems. They are usually only set in response to actions made by you which amount to a request for services, such as setting your privacy preferences, logging in or filling in forms. [35209325599.pdf](#) You can set your browser to block or alert you about these cookies, but some parts of the site will not then work. These cookies do not store any personally identifiable information. [operational organic chemistry lehman.pdf](#) [download 47 Brakes - Hydraulic Components \(Page GR-47\) FS III front brake calipers, servicing Front brake caliper piston, removing and installing FN 3 front brake calipers, servicing Front caliper piston, removing More information 2007 BRAKES Disc Brakes - H3 SPECIFICATIONS FASTENER TIGHTENING SPECIFICATIONS Fastener Tightening Specifications Specification Application Metric Backing Plate 35 N 100 lb ft Brake Hose More information Drum Brake Owners Manual TIE DOWN ENGINEERING, Inc. 5901 Wheaton Drive, Atlanta, GA 30336 www.tiedown.com \(404\) 344-0000 Fax \(404\) 349-0401 2007 TIE DOWN ENGINEERING, INC. ALL RIGHTS RESERVED Instruction More information 12 12 12-O SERVICE INFORMATION... 12-1 REAR BRAKE...](#)



12-5 TROUBLESHOOTING... 12-2 REAR SHOCK ABSORBER... 12-8 REAR WHEEL... 12-3 REAR FORK... 12-9 SERVICE INFORMATION GENERAL INSTRUCTIONS When installing More information Rear Wheel/Brake/Suspension 13. Rear Wheel/Brake/Suspension Service Information 13-1 Troubleshooting 13-2 Rear Wheel 13-3 Rear Cushion 13-4 Rear Swing Arm 13-7 Service Information General Safety If the More information Page 1 of 6 HUB & WHEEL BEARINGS (WITH PULSE VACUUM HUBLOCK) DO NOT attempt to repair hub and wheel bearing assembly. Removal DO NOT remove hub lock assembly by prying on hub lock legs. This can crack More information 14 14 STEERING HANDLEBAR/Front WHEEL/ SCHEMATIC DRAWING 14-1 SERVICE INFORMATION 14-2 TROUBLESHOOTING More information Section Brake Drum 6 Failure Analysis WARNING To prevent serious eye injury, always wear safe eye protection when you perform vehicle maintenance or service. [toro 22' recycler 6.75 190cc parts](#) Figure 6.1 ASBESTOS AND NON-ASBESTOS FIBERS More information 13. REAR WHEEL/BRAKE/SUSPENSION 13 3.5-4.5kg-m 8.0-10.0kg-m 0.8-1.2kg-m 3.0-4.0kg-m 2.4-3.0kg-m 3.5-4.5kg-m 6.0-8.0kg-m 13-0 13.



REAR WHEEL/BRAKE/SUSPENSION 13 REAR WHEEL/BRAKE/SUSPENSION SERVICE INFORMATION... More information Issued 03-10 Technical Bulletin Meritor WABCO Hydraulic Power Brake (HPB) System Bleeding Procedures Issued 1 Technical 03-10 Bulletin Hazard Alert Messages Read and observe all Warning and Caution hazard More information Part #: HT-1 1965-82 CORVETTE O-RING CONVERSION front CALIPER REBUILDING TUTORIAL Choosing a Brake Caliper Rebuild Kit Standard Lip Seals vs. O-Ring Seals Lip seal design seals are used on 1965-1982 Corvette More information J075 REV. 009-0-0 CHROME FRONT BRAKE MASTER CYLINDER KIT GENERAL Kit Number 5-99D, 5-99D Models These Chrome Master Cylinder Kits are designed to replace the original equipment front brake master cylinder More information 1 56SAKHU HYDRAULIC 1.22 O-RING - 2 REQUIRED UNIT 1.23 O-RING COMPLETE 1.24 TEFLON O-RING 2 REQUIRED 1.3 EXTENSION SCREW 1.3A SPRING PIN 1.4 SPRING SUPPORT 1.5 SCREW BUSHING 1.6 Y SHAPE SEAL RING 1.7 HEAD More information Original ATE wheel cylinders Reduced in weight and resistant to brake fluid 1 Original ATE wheel cylinders The ATE brand is backed up by Continental, one of the worlds biggest brake specialists: this is More information Part #: HT-2 1965-82 CORVETTE O-RING CONVERSION REAR CALIPER REBUILDING TUTORIAL Choosing a Brake Caliper Rebuild Kit Standard Lip Seals vs. O-Ring Seals Lip seal design seals are used on 1965-1982 Corvette More information Volkswagen Touareg - Rear wheel brakes, servicing Crp.



1 43 45 46-2 Rear wheel brakes, servicing Rear brakes, FN 44 brake caliper, servicing Note: After replacing brake pads, depress brake pedal firmly More information INSTALLATION INSTRUCTION AND SERVICE MANUAL Actuator/Trailer Dealer - Please provide these instructions to the consumer. Consumer - Read and follow these instructions. Keep them with the trailer for future More information MASTER CYLINDER Master Cylinder The master cylinder converts the motion of the brake pedal into hydraulic pressure. It consists of the reservoir tank, which contains the brake fluid, and the piston and More information INSTRUCTIONS AND PARTS LIST FOR MODEL: 70H & 75H HAND-OPERATED HYDRAULIC PRESS SETTING UP THE PRESS FOR OPERATION For shipping convenience, the gauge, pump handle, hoist crank, screw nose and base angles More information STEERING SYSTEM - POWER 1990 Nissan 240SX 1990 STEERING Nissan - Power Rack & Pinion Access, Maxima, Pulsar NX, Stanza, 240SX, 300ZX DESCRIPTION The power steering system consists of a rack and More information KINCPIN REPLACEMENT Author: Randy Baumann All information, illustrations and specifications are based on the best information available at the time of publication. The author cannot guarantee the accuracy More information Page 1 of 21 Product Information Baja Web > Product Information > Parts Lists > DIRTBIKE > BR150 Pmi Baja Reaction 150cc Go Kart (VIN PREFIX LAVM) BR150 Pmi Baja Reaction 150cc Go Kart (VIN PREFIX LAVM) More information INSTALLATION INSTRUCTIONS 6111 Air Spring Kit 2011+ Ford F250/F-350 Single Wheel 2WD 2011+ Ford F350 Dually 2WD Thank you for purchasing a quality Hellwig Product.

PLEASE READ THIS INSTRUCTION SHEET COMPLETELY More information SERVICE INFORMATION To achieve maximum drum life and optimum performance, proper brake maintenance and brake balance are essential. Consult your truck or trailer manufacturer s maintenance manual for proper More information AXLE SHAFTS - FRONT 1993 Toyota Celica 1993 DRIVE AXLES Toyota FWD Axle Shafts Toyota; Celica DESCRIPTION Axle shafts transfer power from transaxle to driving wheels. All axle shafts consist of a shaft More information 16-3 OVERVIEW AND OPERATION PROCESS 1. GENERAL INFORMATION 1) DESCRIPTION AND OPERATION (1) Brake System Even though a driver cuts off the power, while driving, the vehicle continues to move due to the More information INSTALLATION INSTRUCTIONS 6108 Air Spring Kit 2011+ Ford F250 Single Wheel 4WD 2011+ Ford F350 Dually Wheel 4WD use p/n 6113) Thank you for purchasing a quality Hellwig Product. PLEASE More information Class 5 to 7 Truck and Bus Hydraulic Brake System Diagnostic Guide 1st Edition \* 5+0 Important Service tes The information in this publication was current at the time of printing. The information presented More information Revised 11-04 Technical Bulletin Revised 1 Technical 11-04 Bulletin DiscPlus DX195 and DX225 Air Disc Brakes Inspection, Installation and Diagnostics Air Disc Brake Inspection Intervals and Procedures More information j a t Front brakes (FN- 3), servicing 46-1 Front brakes, servicing Note: Install complete repair kit. After replacing brake pads and before moving vehicle, depress brake pedal several times firmly to properly More information Information Bulletin Bulletin Type: Parts / Service Information Topic: Dana LMS Hub Assembly Procedure Steer and Drive Axles Spicer Axles & Brakes ABIB-0302 Note: Bulletin ABIB-0302 replaces the original More information OWNER S MANUAL Model MHI230 Important Safety Instructions Assembly Instructions Parts and Hardware Identification Pallet Jack CAUTION: Read, understand and follow ALL instructions before using this product More information 19-1 Cooling system components, servicing WARNING! The cooling system is pressurized when the engine is warm. When opening the expansion tank, wear gloves and other appropriate protection, cover the cap More information DR90 Toll Free: 888-863-2252 PART NUMBERS AND PRICES ARE SUBJECT TO CHANGE 1 of 43 CYLINDER & CYLINDER HEAD 1 DR70-001 88309004472 CYLINDER 1 1 2 DR70-002 88309004489 GASKET, CYLINDER 1 1 3 DR70-003 88309004496 More information Maintenance Manual 31 System Saver 318 Air Compressor for Mack E-Tech and ASET Engines Revised 08-05 NON-THROUGH DRIVE THROUGH DRIVE Service Notes This Manual This manual provides service and repair More information Installation Instructions and Service Manual Model 85, 85-3/4 & 85E Actuator\* for Trailer Brakes 8,500 lbs. Capacity for use with -5/16 Hitch Balls Drum Brake Ready - Part #4736 Disc Brake Ready - Part More information 46 Brakes - Mechanical Components (Page GR-46) Front brakes Brake pads, removing and installing Brake pads, removing and installing FN 3 brake caliper, servicing FS III brake caliper, servicing Rear wheel More information Engine BHW Cooling system components, removing and installing Page 1 / 24 19-1 Cooling system components, removing and installing Warning! When doing any repair work, especially in the engine compartment, More information Table of Contents Overview 1 Pump Disassembly 2 Control Disassembly 7 Reassembly 7 Pump Reassembly 13 Adjustment Procedures DR Control 19 Adjustment Procedures DRG Control 20 Adjustment Procedures DFR More information Parts Lists - DR125 and DR150 Hensim Dirt Runner 125cc and 150cc Dirt Bike (VIN PR... Page 1 of 25 Product Information Baja Web > Product Information > Parts Lists > DIRTBIKE > DR125 and DR150 Hensim Dirt More information Page 1 of 21 Product Information Baja Web > Product Information > Parts Lists > DIRTBIKE > DR50 Hensim Dirt Runner 49cc Dirt Bike (VIN PREFIX LLCH or LUAH) DR50 Hensim Dirt Runner 49cc Dirt Bike (VIN PREFIX More information Page 1 of 34 19-1 Cooling system components, removing and installing WARNING! The cooling system is pressurized when the engine is warm. When opening the expansion tank, wear gloves and other appropriate protection, cover the cap More information DR90 Toll Free: 888-863-2252 PART NUMBERS AND PRICES ARE SUBJECT TO CHANGE 1 of 51 CYLINDER & CYLINDER HEAD 1 DR90-001 842645048166 CYLINDER 1 1 2 DR90-002 842645048173 GASKET, CYLINDER 1 1 3 DR90-003 More information DR70 Toll Free: 888-863-2252 PART NUMBERS AND PRICES ARE SUBJECT TO CHANGE 1 of 43 CYLINDER & CYLINDER HEAD 1 DR70-001 88309004472 CYLINDER 1 1 2 DR70-002 88309004489 GASKET, CYLINDER 1 1 3 DR70-003 88309004496 More information Maintenance Manual 31 System Saver 318 Air Compressor for Mack E-Tech and ASET Engines Revised 08-05 NON-THROUGH DRIVE THROUGH DRIVE Service Notes This Manual This manual provides service and repair More information Installation Instructions and Service Manual Model 85, 85-3/4 & 85E Actuator\* for Trailer Brakes 8,500 lbs. Capacity for use with -5/16 Hitch Balls Drum Brake Ready - Part #4736 Disc Brake Ready - Part More information 46 Brakes - Mechanical Components (Page GR-46) Front brakes Brake pads, removing and installing FN 3 brake caliper, servicing FS III brake caliper, servicing Rear wheel More information Engine BHW Cooling system components, removing and installing Page 1 / 24 19-1 Cooling system components, removing and installing Warning! When doing any repair work, especially in the engine compartment, More information Table of Contents Overview 1 Pump Disassembly 2 Control Disassembly 7 Reassembly 7 Pump Reassembly 13 Adjustment Procedures DR Control 19 Adjustment Procedures DRG Control 20 Adjustment Procedures DFR More information Parts Lists - DR125 and DR150 Hensim Dirt Runner 125cc and 150cc Dirt Bike (VIN PR... Page 1 of 25 Product Information Baja Web > Product Information > Parts Lists > DIRTBIKE > DR125 and DR150 Hensim Dirt More information Page 1 of 21 Product Information Baja Web > Product Information > Parts Lists > DIRTBIKE > DR50 Hensim Dirt Runner 49cc Dirt Bike (VIN PREFIX LLCH or LUAH) DR50 Hensim Dirt Runner 49cc Dirt Bike (VIN PREFIX More information Page 1 of 34 19-1 Cooling system components, removing and installing WARNING! The cooling system is pressurized when the engine is warm. When opening the expansion tank, wear gloves and other appropriate protection, cover the cap More information DR90 Toll Free: 888-863-2252 PART NUMBERS AND PRICES ARE SUBJECT TO CHANGE 1 of 51 CYLINDER & CYLINDER HEAD 1 DR90-001 842645048166 CYLINDER 1 1 2 DR90-002 More information REAR BRAKES 1 AEROSPACE COMPONENTS 727.347.9915 REAR BRAKES Before getting started, remove all stock braking components. Pre-assembly of parts: Clean the bolts and the threads in the hat with acetone. More information Steering Components TroubleShooting Tech Tips Table of Contents Basic Steering System Operation 2 Sector Shaft Adjustments 4 Drag Link Adjustment 5 Relief Valve/Unloading Valve Adjustment 6 Ross TAS Automatic More information P7100 PUMP INSTALLATION INSTRUCTIONS Diesel Care & Performance Inc Installation Timing Pin Location CAUTION: Before installing the injection pump, be sure that number 1 cylinder is at the Top Dead Center More information Char-Lynn Hydraulic Motor October, 1997 Repair Information Geroler Motor Two Speed 001 27 Retainer inside bore of valve plate bearingless motors only 4 15 16 3 35 Parts Drawing 25 2 2 1 19 17 36 40 47 More information just a test. [1752474907L.pdf](#) Front axle components, overview 40-1 General Information Load bearing components and parts of the suspension must not be welded or straightened.

Vehicles without drive axle must not be moved. More information Slide the new steering column shaft through the steering column from the driver compartment. Push the column shaft through the steering column until the machined end is out past the column lower bushing. More information 1 APTA Bus Webinar Technical Series Maintenance Committee Webinar Series Presents Disc Brake Wheels Off Inspection and Reline January 21, 2015 2 Introduction Welcome to today s webinar in which we will More information DR125 / DR150 Toll Free: 888-863-2252 PARTS AND PRICES ARE SUBJECT TO CHANGE 1 of 55 CYLINDER HEAD ASSY. 1 125-001 88309006937 CYLINDER HEAD COVER 1 1 2 125-002 88309006944 BOLT M6X28 2 3 3 125-003 88309006951 More information Atlas Front Input Change The following pages contain instructions for Atlas transfer case front input. Most mechanically inclined individuals can obtain the components from us and perform these retrofits More information Subject: Pre-Formed and Pre-Flared Hydraulic Brake Pipe its Now Available for Service Models: 2000-2006 adillac Escalade Models 2000-2006 chevrolte Avalanche, Suburban, Tahoe 1999-2007 chevrolte Silverado More information Service Data Vickers Piston Pumps PVH131/141 Variable Displacement Piston Pump - 11 Design Revised 05/01/97 M-2209-S Maximum Adjustable Step S Option 913341 Locknut Torque 25-50 N.m. (18-37 lb. ft.) Torque More information 2002-05 MANUAL TRANSMISSIONS On-Vehicle Servicing APPLICATION MANUAL TRANSMISSION APPLICATIONS Application Model Cooper R65 Cooper S Getrag 285 LUBRICATION SERVICE INTERVALS Inspect fluid More information 2002-05 WB REPAIR KIT, WATER PUMP 40005124-WB MAIN & ROD BEARING KIT, 20 CYLINDER 40006129-WB PISTON, 645E HTG AND TIN PLATED 40006130-WB PISTON, 645 E3 More information January 2013 AWWA Butterfly Valve Operation and Maintenance Manual Series 511A & 510A 20 and Smaller Milliken Valve Company 190 Broadhead Avenue, Suite 100 Bethlehem, PA 18017 Phone: (610) 861-8803 Fax: More information AIR CHAMP PRODUCTS User Manual SE BRAKE MODELS: SE-00, SE-200, SE-500, and SE-000- (i) FORM NO. L-20084-E-040 In accordance with Nexen s established policy of constant product improvement, the specifications More information SANFA: 1 10100 10102 10103 355 353 06 15 355 353 03 15 346 353 08 15 AXLE GEAR AXLE GEAR AXLE (WITH BUSHING TYPE) (WITH BUSHING TYPE) 2521 2517-2521-2622 10104 10105 10106 308 350 00 More information TAMPPERS Website: www.apf-tools.com e-mail: [info@apf-tools.com](mailto:info@apf-tools.com) TDS-1064 Rev A S TOOL MAINTENANCE & REPAIR INFORMATION FIELD OPERATION: Before use: 1. Check the tampering butt lock screw, it must be tightened More information 19 Engine - Cooling System (Page GR-19) Cooling system draining and filling general information Body components, layout Engine components, layout Radiator fan run-on checking Recommended mixture ratios More information FIRST EDITION - 2013 CONTENTS Accessories... 1 Hydraulic Jacks Air Intake... 2 Air Filter Charger Charging System Intake Charger Hoses Intake Manifold Intake Pipe Air Filter Intercooler Charger Aircondition... More information 7600 SAND STREET, FORT WORTH, TX 76118 www.kodiaktrailer.com -2- CONTENTS SECTION I. INTRODUCTION II. GENERAL INFORMATION III. SAFETY INFORMATION IV. praxis educational leadership study guide INSTALLATION INFORMATION V. SOLENOID REVERSING VALVES More information Diesel Fuel Systems Injection Nozzles Unit Terms Injection nozzle, Nozzle holder, valve, spring assembly Nozzle assembly Valve, body, and spray valve Orifice Small hole Pintle Valve which the end More information AXLE SHAFTS - FRONT 1998 Pontiac Bonneville 1998-99 DRIVE AXLES FWD Axle Shafts - Cars - "C", "G" & "H" Bodies GM Aurora, Bonneville, Eighty Eight, LeSabre, LSS, Park Avenue, Regency, Riviera MODEL IDENTIFICATION More information Char-Lynn Spool Valve Hydraulic Motors Repair Information W Series Geroler Motors with Parking Brake 004 Nut Key Ring, Retaining Bearing Ring, Retaining Ring, Retaining Washer (Thick), Pressure Washer, More information 22.50 Hydraulic and Mechanical Drum Brakes Maintenance Manual No. 4H Revised 4-96 DLH DSH DH FSH H Mechanical Brakes DCM DLM DM Service Notes This maintenance manual describes the correct service and repair More information Eliminator Vented Disc Brake Owners Manual Eliminator Vented Disc Brakes Exclusive Features Whenever possible, the tendency is to use an aluminum alloy in order to reduce weight. [norwalk jucer instruction manual.pdf](#) format free These alloys are much More information 1 Foreword 1.1 Thank you for choosing one of the range of AEON'S BS standard valves. For safety purposes, the user shall read this instruction to fully understand the operation of the product. 2 AEON Design More information Typical Industries & Applications More information j0 REV. 0-0-0 DYNA RIDER FOOTBOARD KIT GENERAL Kit Number 000 Models For model filament information, see the PKA Retail Catalog or the Parts and Accessories section of [www.harley-davidson.com](http://www.harley-davidson.com) (English More information 4057250/8 IM-F405-16 AB Issue 8 ABV20 Air Actuated Boiler Blowdown Valve Installation and Maintenance Instructions 1 General safety information 2 General product information 3 Installation 4 Operation More information Be the first to rate this item! Write Review Copyright © 2023 AnythingTruck.com.