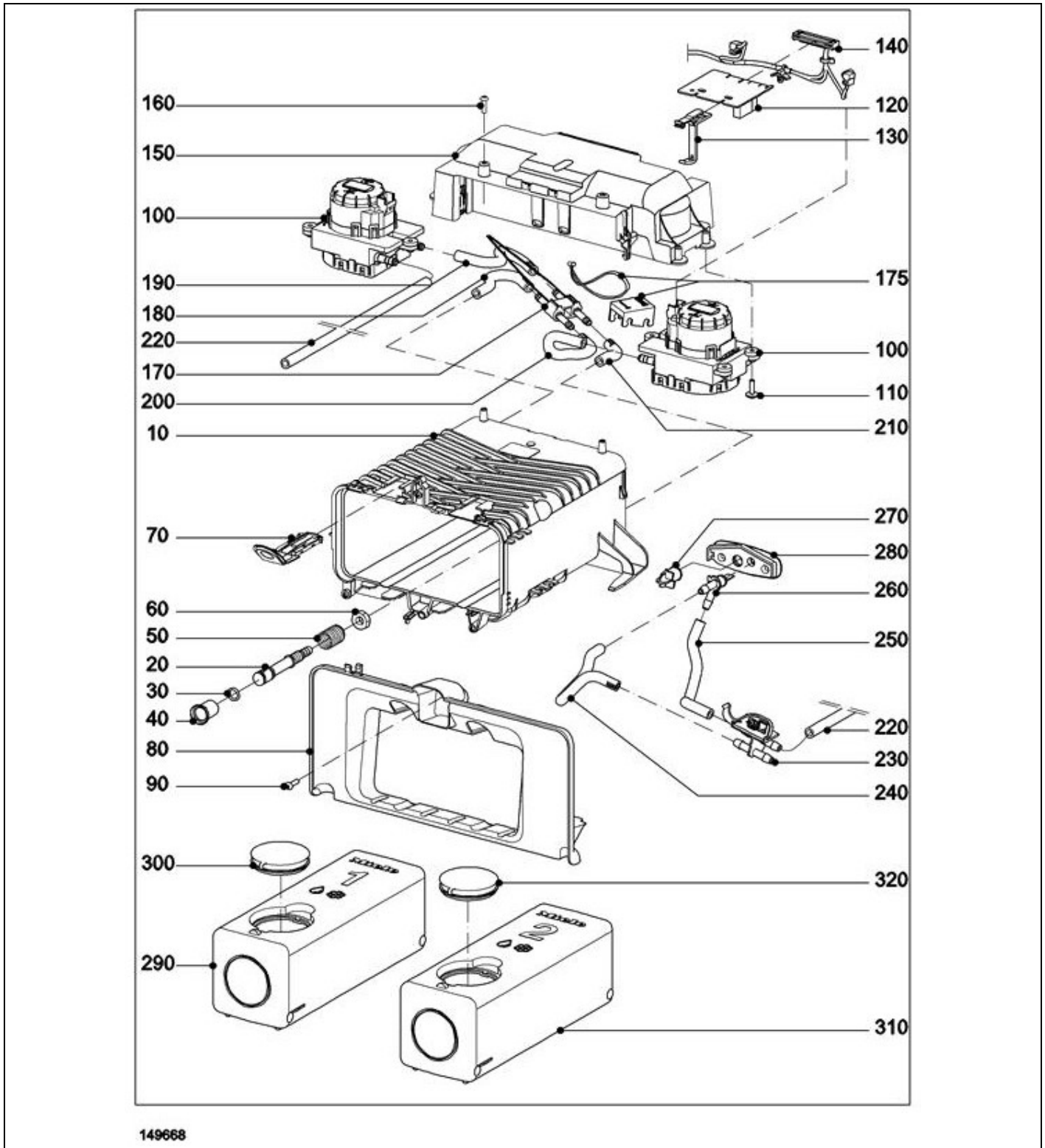


Miele W1 TwinDos parts diagram and parts list



Hyperlink to Miele WKR 570 spare parts list: [MSD \(miele.de\)](http://MSD(miele.de))

Parts list with Miele terminology and references:

Pos.	M.-No.	Designation
10-70	9262032 Superseded ↓	Guide Container BG
10-70	9262033 Superseded ↓	Guide Container BG
10-70	9262034 Superseded ↓	Guide Container BG
10-70	9262035 Superseded ↓	Guide Container BG
10-70	9262036 Superseded ↓	Guide Container BG
10-70	9262037 Superseded ↓	Guide Container BG
10-70	10728260	Guide Container BG
10	7810662 Superseded ↓	-Guide Container
10	7810663 Superseded ↓	-Guide Container
10	7810664 Superseded ↓	-Guide Container
10	7810665 Superseded ↓	-Guide Container
10	9262037 Superseded ↓	-Guide Container BG
10	10728260	-Guide Container BG
20	9121241 Superseded ↓	-Extract. connection
20	9121242 Superseded ↓	-Extract. connection
20	10258230	-Extract. connection
30	7811170	-O-ring 9x2
40	9121250 Superseded ↓	-Sleeve
50	7811180 Superseded ↓	-Spring Sleeve
50	11635670	-Spring Sleeve
60		--Fixing
	9156070	--Hexagonal nut M10
70	7810771 Superseded ↓	-Immobilising brake
70	7810772	-Immobilising brake
80	7826113 Superseded ↓	Safety guard Linie 1
80	7826114 Superseded ↓	Safety guard TwinDos Linie 1
80	10728230	Safety guard TwinDos Linie 1
90		--Fixing
	9266230	--Raised head screw 4,0x14
100	9186051 Superseded ↓	Dispenser pump 31630002
100	9186052 Superseded ↓	Dispenser pump 31630004
100	9186053 Superseded ↓	Dispenser pump 31630005
100	9186054	Dispenser pump 31630009 230V 55ml
110		--Fixing
	4583351 Superseded ↓	--Raised head screw 4X16
	9384900	--Raised head screw 4X16

120+130	10518070	Electronic unit EZL 165	175	9972071	-Positioning aid
130	9277623 Superseded ↓	-Limit switch Lever	180	7992222 Superseded ↓	Connection hose 1 LWi
130	11298000	-Limit switch Lever	180-210	9900450 Superseded ↓	Set of hoses
140	7992313 Superseded ↓	Cable harm.section 31 LQ int	180-210	9900451 Superseded ↓	Set of hoses
140	10143350	Cable harm.section 31	180-210	9900452	Set of hoses
150	7810674 Superseded ↓	Drip shield LWi	190	7992232 Superseded ↓	Connection hose 2 LWi
150	7810675 Superseded ↓	Drip shield LWi	180-210	9900450 Superseded ↓	Set of hoses
150	7810676	Drip shield LWi	180-210	9900451 Superseded ↓	Set of hoses
160		--Fixing	180-210	9900452	Set of hoses
	9266230	--Raised head screw 4,0x14	200	7826962 Superseded ↓	Connection hose 1 LWi
170	9240991 Superseded ↓	Platinum sensor Duplicate	180-210	9900450 Superseded ↓	Set of hoses
170+175	9976600 Superseded ↓	Platinum sensor	180-210	9900451 Superseded ↓	Set of hoses
170+175	9976601 Superseded ↓	Platinum sensor	180-210	9900452	Set of hoses
170+175	9976602 Superseded ↓	Platinum sensor	210	7826952 Superseded ↓	Connection hose 2 LWi
170+175	9976603 Superseded ↓	Platinum sensor	180-210	9900450 Superseded ↓	Set of hoses
170+175	9976604	Platinum sensor	180-210	9900451 Superseded ↓	Set of hoses
175	9702760 Superseded ↓	Cable holder Driller	180-210	9900452	Set of hoses
175	9749430 Superseded ↓	-Positioning aid	220	7826981	Connection hose 2 Dosierp.Aggreg

220	7826981	Connection hose 2 Dosierp.Aggregat	290+300	10223070	Container TwinDos 1 BG <small>This special part can optionally be fitted as an alternative to the standard part.</small>
230	7828313 <small>Superseded ↓</small>	Holder Strut LWi	300	9115310 <small>Superseded ↓</small>	-Lid Container <small>This special part can optionally be fitted as an alternative to the standard part.</small>
230	9848100 <small>Superseded ↓</small>	Holder Strut LWi	300	9115311	-Lid Container <small>This spare part can be replaced without opening the appliance. This special part can optionally be fitted as an alternative to the standard part.</small>
230	10160100 <small>Superseded ↓</small>	Holder Strut LWi	310+320	10223120	Container TwinDos 2 BG <small>This special part can optionally be fitted as an alternative to the standard part.</small>
230	10160101 <small>Superseded ↓</small>	Holder Strut LWi	320	9115310 <small>Superseded ↓</small>	-Lid Container <small>This special part can optionally be fitted as an alternative to the standard part.</small>
230	10941840	Holder Strut LWi	320	9115311	-Lid Container <small>This spare part can be replaced without opening the appliance. This special part can optionally be fitted as an alternative to the standard part.</small>
240	9064431 <small>Superseded ↓</small>	Connection hose LWe/LWi			
240	9064432	Connection hose			
250	7828321	Connection hose			
260	9398030 <small>Discontinued</small>	Adapter Flushing intake LWi			
260	10111280 <small>Superseded ↓</small>	Adapter Flushing intake LWi			
260	10111281 <small>Superseded ↓</small>	Adapter Flushing intake			
260	10941850	Adapter Flushing intake LWi			
270	9398130 <small>Discontinued</small>	Adapter Flushing intake			
260+270	9682830 <small>Superseded ↓</small>	Adapter			
260+270	9682831 <small>Superseded ↓</small>	Adapter			
260+270	9682832 <small>Superseded ↓</small>	Adapter			
260+270	9682833	Adapter			