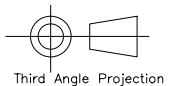
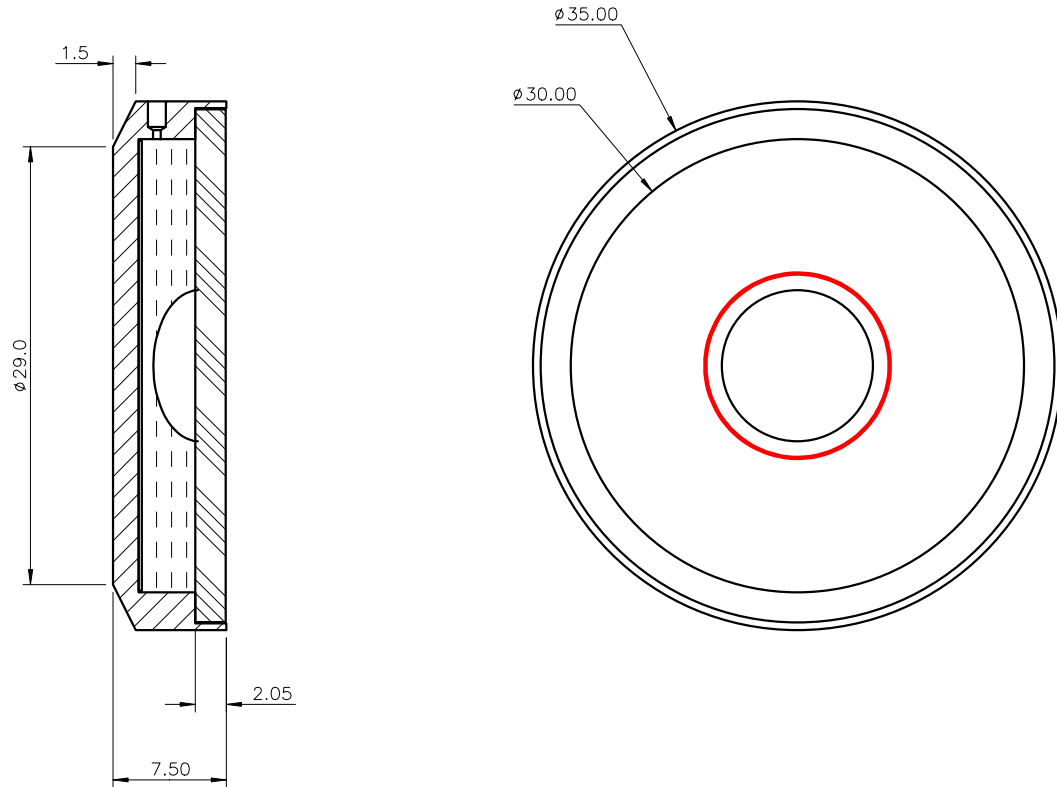


Used On 5823/1	Scale 2:1	Title Circular Vial Ø35mm, sensitivity 10'/2mm	Drawing Number 3063/1
-------------------	--------------	---	--------------------------

Issue	Amendment	Date
-------	-----------	------

Note:

Sensitivity : 10'/2mm bubble movement (± 2')
Centre Ring : Ø12.5mm ±0.1 external diameter
Colour : Red
Line Thickness : 0.3mm
Bubble : Ø10.0 ±0.3 @20°C
Liquid : Clear
Backing: White



Finish Black anodised	Tolerances Unless Stated Otherwise (mm units)	XX. ±1.0	Material Aluminium housing, glass disc	Level Developments Ltd	
		XX.X ±0.25		Drawn By JHL	Date 07/05/2009
		XX.XX ±0.1			