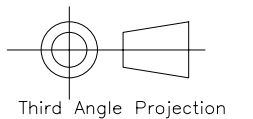
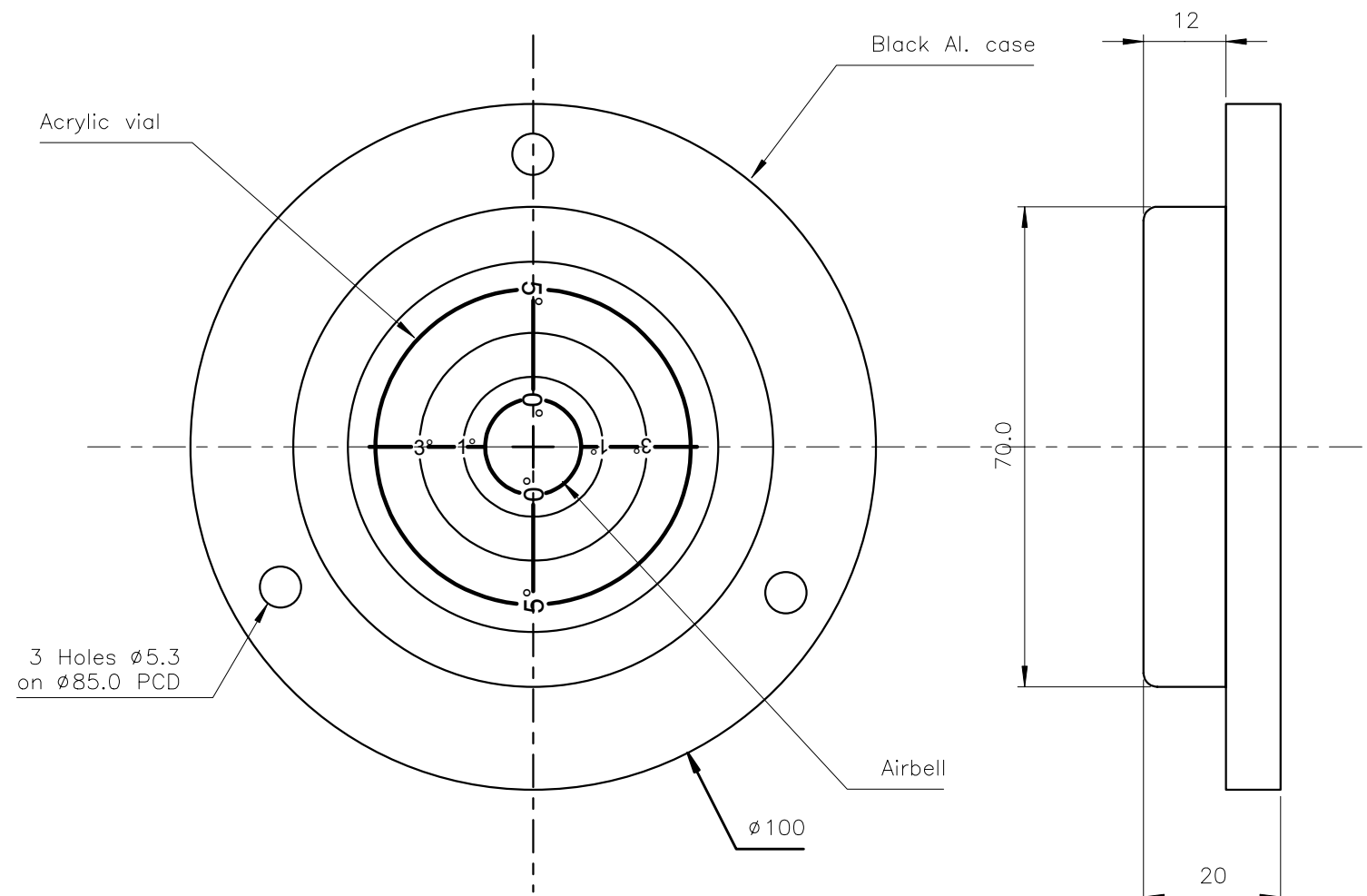


Used On 5229/4	Scale 1:1	Title Large diameter heavy duty circular level	Drawing Number 3163/1
-------------------	--------------	---	--------------------------

Issue	Amendment	Date
-------	-----------	------

Sensitivity 1 degree per 3.2mm bubble movement.  
Bubble  $\phi$ 12mm @ 20°C



Finish Black Anodised	Tolerances Unless Stated Otherwise (mm Units)	XX. +/- 1.0	Material Aluminium housing PMMA vial	Level Developments Ltd
		XX.X +/- 0.25		
	XX.XX +/- 0.1	Drawn By JHL	Date 12/09/2004	