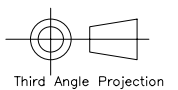
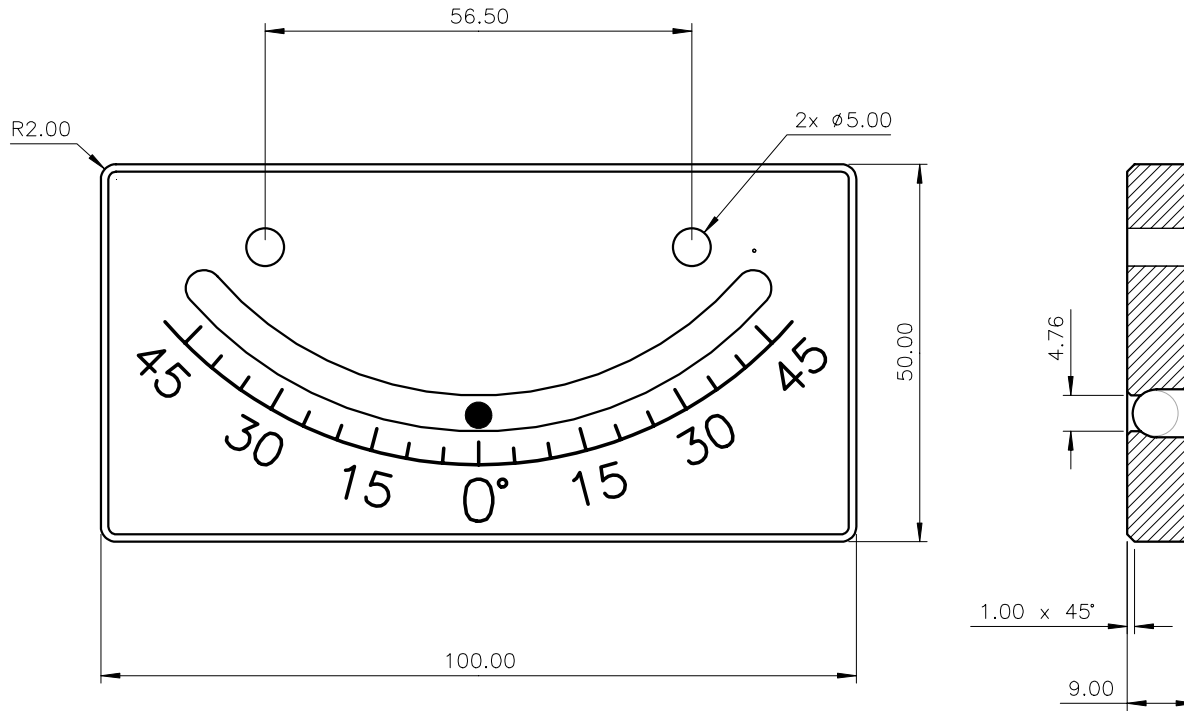


Used On	Scale	Title	Drawing Number
BI-45	1:1	Ball inclinometer, $\pm 45^\circ$	3300/1
			Issue
			Amendment
			Date

$\phi 3.2$ Black Ceramic Ball
 Operational Temperature range: -20 to 70°C
 Storage Temperature range: -40 to 82°C
 Engraving: 0.5mm wide filled white
 Backing: Yellow



Finish	Tolerances	XX. ± 1.0	Material	Acetal Housing, glass tube	Level Developments Ltd	
	Unless Stated	XX.X ± 0.25				Croydon, Surrey, CR0 2DN t.+44 (0)20 8684 1400
	Otherwise	XX.XX ± 0.1	Drawn By	JHL	Date	