

ACOT500[®]

innovativequality

PRODUCT CATALOGUE



CONTENTS

ACOT500 PROFILE	2
FUN FACTS - WIRE SIZES	3
BROADBAND REVERSING ALARMS	4
REVERSING ALARMS	5
SMALL LED / STROBE BEACON	6
LARGE LED / STROBE BEACON	7
TALL LED / STROBE BEACON	8
STATIC LED BEACON	9
TITAN LED ROTATING BEACON	10
HALOGEN ROTATING BEACON	10
LED FLEXIBLE POLE MOUNT BEACON	11
LOW PROFILE LED BEACON	11
LED PORTABLE RECHARGABLE BEACON	12
LARGE STROBE BEACON 110VAC AND 230VAC	13
ROTATING LIGHT 110VAC AND 230VAC	13
LARGE LED / STROBE MINI BAR	14
LED CONE LIGHT	15
LAZER FLASH	16
PI-LIT SEQUENTIAL FLARE	16
LED CLUSTER	17
SLIM LED CLUSTER	17
LED DASH LIGHT	18
SLIM LED DASH LIGHT	18
STROBE KIT AND HEADLIGHT FLASHER	19
LED KIT	19
AMPLIFIER AND SIREN DRIVER UNIT	20
AMPLIFIER AND SIREN DRIVER UNIT	21
ASSASSIN LIGHTBAR	22
ASSASSIN LIGHTBAR	23
ASSASSIN RECESS LIGHTBAR	24
PREMIUM MINE LIGHTBAR	25
STANDARD MINE LIGHTBAR	25
ASSASSIN LIGHTBAR	26
RIVAL MINI BAR	27
LED MINI BAR	27
ASSASSIN ARROW BAR	28
CUSTOMISED LIGHTBARS	29
FORKLIFT LIGHTING & REVERSING ALARMS	30
BLUE / RED SPOT BEAM	31
LED WORK LIGHT	31
REVERSE-CAMERA SYSTEM	32
QUAD CAMERA SYSTEM	33
TAIL LIFT LED LIGHT KIT	34
BOOSTER CLAMP	34
LOAD WARNING LIGHT	35
BUGGY WHIP	36
FUN FACTS	37
CLEANAIR TREATMENT	38
WIRING DIAGRAMS	39
NOTES	40

ACOT500®

innovativequality

ACOT500

ACOT500 was founded by Gavin Diehl and first registered in 1998. Focused on the mining, safety, transport and emergency services industries, ACOT500 has developed to meet both the current and future needs of these fields - with an eye always to technological advancement.

Since its inception, ACOT500 has significantly expanded its operations; opening new offices globally and forming strong partnerships in Australia, UK, South Africa and Taiwan. Building off a diverse local client base, ACOT500 has grown to accommodate regular clients based around the world including Dubai, Portugal, Malaysia, Canada and Turkey. ACOT500 has a vision to expand further into European and North & South American markets while maintaining its reputation for quality products. ACOT500 manufactures its product components at key facilities around the world and assembles in both South African and Australian premises.

At ACOT500, quality of product and the safety of our end users is the key to everything we do, with hundreds of existing products in our range and new advances being developed and implemented constantly. Our products are manufactured from the highest quality material available and exhaustively tested before entering regular production. Fully compliant with European, South African, American and Australian applicable standards, the ACOT500 product range is world class in terms of construction and capabilities. At ACOT500, we believe that 'Your safety relies on our reliability'.

The ACOT500 range includes a huge variety of products, from beacons and light bars to reverse alarms and accessories. We believe our most recent addition, the Mine Light Bar, is the best of its kind in the world today. This focus on excellence has won over our extensive client base to date, and we intend to continue to impress in the future. To continue to live up to our earned reputation of being at the forefront of industry design and technology, ACOT500 constantly iterates and innovates to keep pace with ever changing technologies - our motto is 'Progress Beyond Development'.

ACOT500 has shown exponential sales growth over the years since its inception, expanding its retail outlets from a single location to over 500 distinct premises. Its wholesale arm has also gone from strength to strength, supported by a dedicated and committed team of talented engineers and tradesmen. We are confident that ACOT500 will continue to be a corporate force to be reckoned with going forward.



SAE J845 CLASS 1

FUN FACTS

WIRE SIZES

The American wire gauge (AWG), also known as the Brown & Sharpe wire gauge, is a standardized system for defining the diameter of conductive wires. The table below is a guide only and there are many factors such as alloy composition, ambient temperature and airflow which come into play.

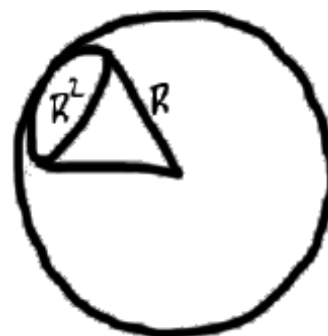
Gauge	Diameter		Resistance		Max Current	
	AWG	Inches	mm Squared	per 1000 ft	per km	In Air
000	0.4096"	10.4038mm	0.06Ω	0.20Ω	328A	239A
00	0.3648"	9.2659mm	0.08Ω	0.26Ω	283A	190A
0	0.3249"	8.2525mm	0.10Ω	0.32Ω	245A	150A
1	0.2893"	7.3482mm	0.12Ω	0.41Ω	211A	119A
2	0.2576"	6.5430mm	0.16Ω	0.51Ω	181A	94A
3	0.2294"	5.8268mm	0.20Ω	0.65Ω	158A	75A
4	0.2043"	5.1892mm	0.25Ω	0.82Ω	135A	60A
5	0.1819"	4.6203mm	0.31Ω	1.03Ω	118A	47A
6	0.1620"	4.1148mm	0.40Ω	1.30Ω	101A	37A
7	0.1443"	3.6652mm	0.50Ω	1.63Ω	89A	30A
8	0.1285"	3.2639mm	0.63Ω	2.06Ω	73A	24A
9	0.1144"	2.9058mm	0.79Ω	2.60Ω	64A	19A
10	0.1019"	2.5883mm	1.00Ω	3.28Ω	55A	15A
11	0.0907"	2.3038mm	1.26Ω	4.13Ω	47A	12A
12	0.0808"	2.0523mm	1.59Ω	5.21Ω	41A	9.3A
13	0.0720"	1.8288mm	2.00Ω	6.57Ω	35A	7.4A
14	0.0641"	1.6281mm	2.53Ω	8.28Ω	32A	5.9A
15	0.0571"	1.4503mm	3.18Ω	10.44Ω	28A	4.7A
16	0.0508"	1.2903mm	4.02Ω	13.17Ω	22A	3.7A
17	0.0453"	1.1506mm	5.06Ω	16.61Ω	19A	2.9A
18	0.0403"	1.0236mm	6.39Ω	20.94Ω	16A	2.3A
19	0.0359"	0.9119mm	8.05Ω	26.41Ω	14A	1.8A
20	0.0320"	0.8128mm	10.15Ω	33.29Ω	11A	1.5A
21	0.0285"	0.7239mm	12.80Ω	41.98Ω	9A	1.2A
22	0.0254"	0.6452mm	16.14Ω	52.94Ω	7A	0.92A
23	0.0226"	0.5740mm	20.36Ω	66.78Ω	4.7A	0.729A
24	0.0201"	0.5105mm	25.67Ω	84.20Ω	3.5A	0.577A
25	0.0179"	0.4547mm	32.37Ω	106.17Ω	2.7A	0.457A
26	0.0159"	0.4039mm	40.81Ω	133.86Ω	2.2A	0.361A
27	0.0142"	0.3607mm	51.47Ω	168.82Ω	1.7A	0.288A
28	0.0126"	0.3200mm	64.90Ω	212.87Ω	1.4A	0.226A
29	0.0113"	0.2870mm	81.83Ω	268.40Ω	1.2A	0.182A
30	0.0100"	0.2540mm	103.20Ω	338.50Ω	0.86A	0.142A
31	0.0089"	0.2261mm	130.10Ω	426.73Ω	0.7A	0.113A
32	0.0080"	0.2032mm	164.10Ω	538.25Ω	0.53A	0.091A
33	0.0071"	0.1803mm	206.90Ω	678.63Ω	0.43A	0.072A
34	0.0063"	0.1600mm	260.90Ω	855.75Ω	0.33A	0.056A
35	0.0056"	0.1422mm	329.00Ω	1079.12Ω	0.27A	0.044A
36	0.0050"	0.1270mm	414.80Ω	1360.00Ω	0.21A	0.035A
37	0.0045"	0.1143mm	523.10Ω	1715.00Ω	0.17A	0.0289A
38	0.0040"	0.1016mm	659.60Ω	2163.00Ω	0.13A	0.0228A
39	0.0035"	0.0889mm	831.80Ω	2728.00Ω	0.11A	0.0175A
40	0.0031"	0.0787mm	1049.00Ω	3440.00Ω	0.09A	0.0137A

LUMENS CONVERTER

mcd (millicandela) to Lumens Converter.

This calculator is useful for calculating the luminous flux for LEDs where the angle is known.

1 candela of luminous intensity equals 1 lumen of luminous flux per steradian of solid angle, where a steradian represents a cone whose surface area at the end equals the length of the cone squared.



$$\text{LUMINOUS INTENSITY} = \frac{\text{LUMINOUS FLUX}}{\text{SOLID ANGLE OF BEAM}}$$

Where:

- Luminous intensity is measured in Candela (cd)
- Luminous flux in measured in Lumens (lm)
- The solid angle of the beam is measured in Steradian (sr)

BROADBAND REVERSING ALARMS

- Broadband reversing alarms are the next generation of audible warning devices. They generate white sound that dissipates quickly outside the hazard zone
- Dual sound reversing alarms gives the user the best of both worlds. The traditional noise output or the new generation broadband squawker output
- Earthing strap
- 168/163 Plastic housing: Nylon plus 30% fiber
- 188/182 Plastic housing: Nylon plus 33% fiber
- Operating temperature: -40 to 80°C
- IP66 Rated - splash and dust proof



BROADBAND REVERSING ALARMS

PART NO.	SOUND CYCLE	FREQUENCY	CURRENT DRAW @ 12V	OPERATING VOLTAGE	DIMENSIONS
168B-1224-97	72 - 75 Pm	1250 - 1300Hz	0.35 Amps	12 - 24 VDC	102mm (L) 41mm (W) 70mm (H)
188B-1224-102	75 Pm		0.5 Amps		95mm (L) 175mm (W) 80mm (H)

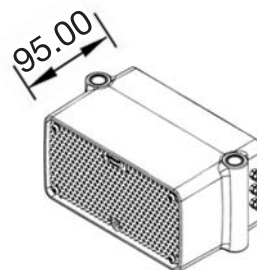
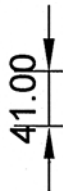
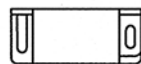


DUAL SOUND REVERSING ALARMS

PART NO.	SOUND CYCLE 97	SOUND CYCLE 102	FREQUENCY 97	FREQUENCY 102	CURRENT DRAW @ 12V	OPERATING VOLTAGE	DIMENSIONS
163B-1224-97-102	60 - 65 Pm	72 - 75 Pm	White noise	Beep	0.35 Amps	12 - 24 VDC	102mm (L) 41mm (W) 70mm (H)
182B-1224-97-102							95mm (L) 175mm (W) 80mm (H)



TECHNICAL DRAWING



REVERSING ALARMS

- 160 Plastic housing: Nylon plus 30% fiber
- 170 and 180 Plastic housing: Nylon plus 33% fiber
- 160 Series with earthing strap
- 170 and 180 Series without earthing strap
- Operating temperature: -40 to 85°C
- IP66 Rated - splash and dust proof



PART NO.	SOUND CYCLE	FREQUENCY	CURRENT DRAW @ 12V	OPERATING VOLTAGE	DIMENSIONS
160B-97	60 - 65 Pm	1250 - 1300Hz	0.2 Amps	12 - 80 VDC	102mm (L) 41mm (W) 70mm (H)
160B-102			0.25 Amps		
160B-107			0.4 Amps		
160B-112			0.5 Amps	12 - 24 VDC	

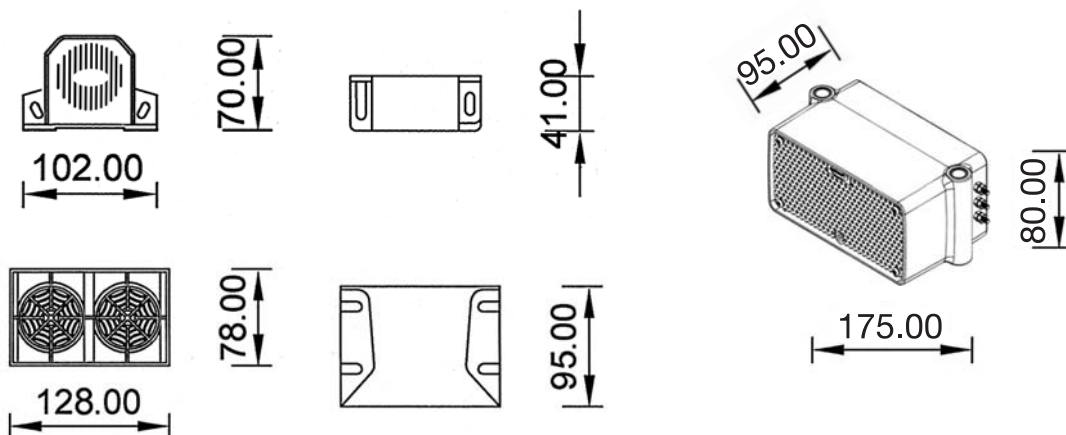
PART NO.	SOUND CYCLE	FREQUENCY	CURRENT DRAW @ 12V	OPERATING VOLTAGE	DIMENSIONS
170B-112	60 - 65 Pm	1250 - 1300Hz	0.5 Amps	12 - 24 VDC	128mm (L) 95mm (W) 78mm (H)
170B-94-112	60 - 65 Pm	1200 - 1400Hz	0.2 - 0.7 Amps		
170B-112FA	Continuous	1200 - 1400Hz	0.8 Amps		



PART NO.	SOUND CYCLE	FREQUENCY	CURRENT DRAW @ 12V	OPERATING VOLTAGE	DIMENSIONS
180B-87-112	60 - 65 Pm	1200 - 1400Hz	0.2 - 0.8 Amps	12 - 24 VDC	95mm (L) 175mm (W) 80mm (H)



TECHNICAL DRAWING



© ACOT500®

SMALL LED / STROBE BEACON

- Hardwire or Magnetic base with 12V plug to suit standard automotive power outlet
- Pole Mount adapter available
- Operating temperature: -20 to 85°C
- Magnetic Base Lead Length: 4m
- Speed rating for Magnetic base version: 120 km/h subject to appropriate mounting and road conditions
- Clear lens version also available
- CE Certified
- IP66 Rated - splash and dust proof



SMALL LED BEACON

HARDWIRE PART NO.	MAGNETIC PART NO.	PROGRAMMABLE FLASH PATTERN	COLOUR	CURRENT DRAW @ 12V	OPERATING VOLTAGE	HARDWIRE DIMENSIONS	MAGNETIC DIMENSIONS
L1204AB	L1204ABM	4 x1W LEDs Single Double Quad Cycle	Amber	0.35 Amps	12-24 VDC	95mm (H) 129mm (D)	110mm (H) 129mm (D)
L1206AB	L1206ABM	6 x1W LED's Single Double Quad Cycle Chasing	Amber	1 Amp			
L1206BB	L1206BBM		Blue				
L1206CB	L1206CBM		Clear				
L1206GB	L1206GBM		Green				
L1206RB	L1206RBM		Red				
L1206MB	L1206MBM		Magenta				

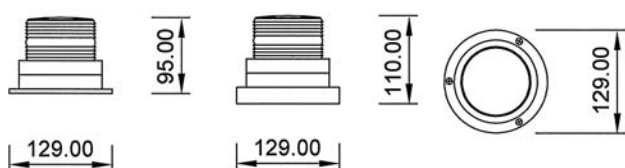
PARTS & ACCESSORIES



SMALL STROBE BEACON

HARDWIRE PART NO.	MAGNETIC PART NO.	FLASH PATTERN	COLOUR	CURRENT DRAW @ 12V	JOULES	FLASH-TUBE	HARDWIRE DIMENSIONS	MAGNETIC DIMENSIONS
S1211AB S1221AB	S1211ABM S1221ABM	Single Double	Amber	0.25 Amps 0.5 Amps	1.5 J/s (1.9 W/s) 1.4 J/s (1.7 W/s)	L4613D L4614B	95mm (H) 129mm (D)	110mm (H) 129mm (D)
S1211BB S1221BB	S1211BBM S1221BBM		Blue					
S1211CB S1221CB	S1211CBM S1221CBM		Clear					
S1211GB S1221GB	S1211GBM S1221GBM		Green					
S1211RB S1221RB	S1211RBM S1221RBM		Red					
S1211MB S1221MB	S1211MBM S1221MBM		Magenta					

TECHNICAL DRAWING



LARGE LED / STROBE BEACON

- PC Board is epoxy potted to extend the lifespan of the beacon
- Operating temperature: -20 to 85°C
- Flash rate: 65 - 75 flashes per minute
- 1W LED x3 per panel 6 panels
- IP65 Rated - splash and dust proof



LARGE LED BEACON

HARDWIRE PART NO.	MAGNETIC PART NO.	PROGRAMMABLE FLASH PATTERN	COLOUR	CURRENT DRAW @ 12V	OPERATING VOLTAGE	HARDWIRE DIMENSIONS	MAGNETIC DIMENSIONS
L3018AB	L3018ABM	Single 80 FPM	Amber	3.2 Amps	12 - 24 VDC	127mm (H) 161mm (D)	145mm (H) 161mm (D)
L3018BB	L3018BBM	Double 80 FPM	Blue				
L3018CB	L3018CBM	Quad 72 FPM	Clear				
L3018GB	L3018GBM	Rotating 165 FPM - 2 Panel	Green				
L3018RB	L3018RBM	Rotating 165 FPM - 4 Panel	Red				
L3018MB	L3018MBM	The above 5 patterns flash in cycle (Auto)	Magenta				

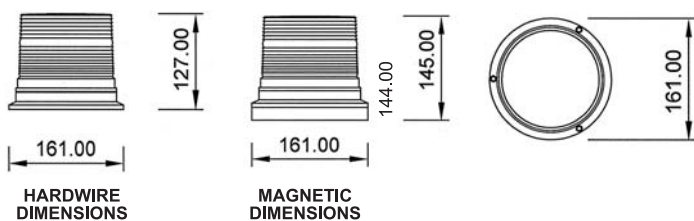
PARTS & ACCESSORIES



LARGE STROBE BEACON

HARDWIRE PART NO.	MAGNETIC PART NO.	FLASH PATTERN	COLOUR	CURRENT DRAW @ 12V	OPERATING VOLTAGE	JOULES	FLASH TUBE	HARDWIRE DIMENSIONS	MAGNETIC DIMENSIONS
S3021AB	S3021ABM	Double	Amber	2.5 Amps	12 - 24 VDC	8.6 J/s (11.3 W/s)	L6515D	127mm (H) 161mm (D)	145mm (H) 161mm (D)
S3021BB	S3021BBM		Blue						
S3021CB	S3021CBM		Clear						
S3021GB	S3021GBM		Green						
S3021RB	S3021RBM		Red						
S3021MB	S3021MBM		Magenta						

TECHNICAL DRAWING



TALL LED / STROBE BEACON

- PC Board is epoxy potted to extend the lifespan of the beacon
- Operating temperature: -20 to 85°C
- Strobe flash rate: 65 - 75 flashes per minute
- 1W LED x1 per panel 4 panels



TALL LED BEACON

HARDWIRE PART NO.	PROGRAMMABLE FLASH PATTERN	COLOUR	CURRENT DRAW @ 12V	OPERATING VOLTAGE	DIMENSIONS
L2204AB	Double Triple Quad Cycle	Amber	0.35 Amps	12 - 24 VDC	100mm (W) 130mm (H) 74mm (D)
L2204BB		Blue			
L2204CB		Clear			
L2204GB		Green			
L2204RB		Red			
L2204MB		Magenta			

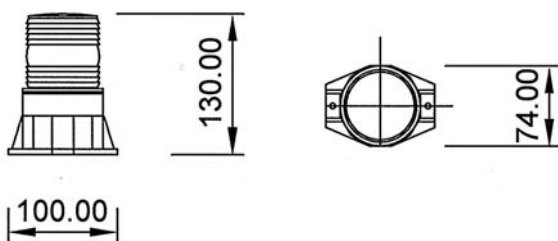
PARTS & ACCESSORIES



TALL STROBE BEACON

HARDWIRE PART NO.	FLASH PATTERN	COLOUR	CURRENT DRAW @ 12V	OPERATING VOLTAGE	DIMENSIONS
S2211AB	Single	Amber	0.5 Amps	12 - 80 VDC	100mm (W) 130mm (H) 74mm (D)
S2211BB		Blue			
S2211CB		Clear			
S2211GB		Green			
S2211RB		Red			
S2211MB		Magenta			

TECHNICAL DRAWING



STATIC LED BEACON

- Lens: Polycarbonate lens and base
- PC Board is epoxy potted to extend the lifespan of the beacon
- 1W LED x1 per panel
- Can be made to flash with an external flash control
- Operating temperature: -20 to 85°C
- IP66 Rated - splash and dust proof



STATIC LED BEACON

HARDWIRE PART NO.	MAGNETIC PART NO.	OPERATING VOLTAGE	COLOUR	CURRENT DRAW @ 12V	HARDWIRE DIMENSIONS	MAGNETIC DIMENSIONS
LC7006AB	LC7006ABM	12 - 24 VDC	Amber	0.7 Amps	110mm (H) 129mm (D)	125mm (H) 129mm (D)
LC7006BB	LC7006BBM		Blue			
LC7006CB	LC7006CBM		Clear			
LC7006GB	LC7006GBM		Green			
LC7006RB	LC7006RBM		Red			
LC7006MB	LC7006MBM		Magenta			

PARTS & ACCESSORIES



MAGNETIC KIT

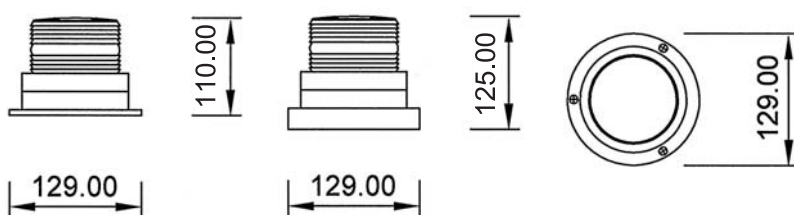
1200M-KIT



POLE MOUNT

1200PM

TECHNICAL DRAWING



TITAN™ LED ROTATING BEACON

- Low profile heavy duty beacon
- Magnetic Base: with plug to suit standard automotive power outlet and 4m lead length
- Hardwire: Permanent mount without plug
- Direct silicone drive for quieter operation
- 12 x 3W high powered LED's
- Polycarbonate UV stabilised lens
- Aluminium base efficiently dissipates heat
- SAE J845 CLASS 1 (Amber)



TITAN LED ROTATING BEACON

HARDWIRE PART NO.	MAGNETIC PART NO.	RPM	COLOUR	CURRENT DRAW @ 12V	OPERATING VOLTAGE	HARDWIRE DIMENSIONS	MAGNETIC DIMENSIONS
LR3024AB	LR3024ABM	±120	Amber	1.8 Amps	12 - 24 VDC	141mm (H) 161mm (D)	161mm (H) 161mm (D)
LR3024BB	LR3024BBM		Blue				
LR3024CB	LR3024CBM		Clear				
LR3024GB	LR3024GBM		Green				
LR3024RB	LR3024RBM		Red				
LR3024C-MB	LR3024C-MBM		Magenta				

HALOGEN ROTATING BEACON

HARDWIRE PART NO.	MAGNETIC PART NO.	RPM	COLOUR	CURRENT DRAW	OPERATING VOLTAGE	HARDWIRE DIMENSIONS	MAGNETIC DIMENSIONS
RHU3124AB-12V	LR3024ABM-12V	±120	Amber	4.8 Amps	12 VDC	134mm (H) 161mm (D)	151mm (H) 161mm (D)
RHU3124BB-12V	LR3024BBM-12V		Blue				
RHU3124CB-12V	LR3024CBM-12V		Clear				
RHU3124GB-12V	LR3024GBM-12V		Green				
RHU3124RB-12V	LR3024RBM-12V		Red				
RHU3124MB-12V	LR3024C-MBM-12V		Magenta				
RHU3124AB-24V	LR3024ABM-24V	±120	Amber	2.4 Amps	24 VDC	134mm (H) 161mm (D)	151mm (H) 161mm (D)
RHU3124BB-24V	LR3024BBM-24V		Blue				
RHU3124CB-24V	LR3024CBM-24V		Clear				
RHU3124GB-24V	LR3024GBM-24V		Green				
RHU3124RB-24V	LR3024RBM-24V		Red				
RHU3124RM-24V	LR3024C-MBM-24V		Magenta				

PARTS & ACCESSORIES



HALOGEN ROTATING BEACON

- 12VDC version can be converted to 24VDC with a simple globe change and vice versa
- Simple and effective globe fitment system
- Magnetic Base: with plug to suit standard automotive power outlet and 4m lead length
- Low profile beacon
- Direct drive for quieter operation
- Polycarbonate UV stabilised lens and base
- IP65 Rated - splash and dust proof



LED FLEXIBLE POLE MOUNT BEACON

- 360° horizontal light output
- 80 x SMD LED's
- 1920 lumens
- EMC approval
- Polycarbonate UV stabilised lens
- Operating temperature: -30°C to 50°C
- Includes din stem ready to be wired in
- 22mm (D) Pole mount
- IP56 Rated - splash and dust proof



PART NO.	FLASH PATTERN	COLOUR	OPERATING VOLTAGE	DIMENSIONS
L803AB/DS	Rotating, Double, Quad	Amber	12 - 24 VDC	260mm (H) 128mm (D) (Including din stem)

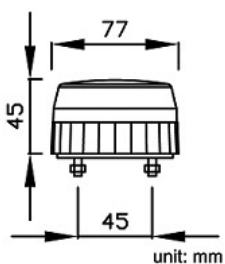
LOW PROFILE LED BEACON

- CE Certified
- Hardwire with mounting pins
- Amber lens with 12 amber LED's
- Operating temperature: -25° to 75°C
- Polycarbonate UV stabilised lens and base
- IP67 Rated - splash and dust proof



PART NO.	FLASH PATTERN	COLOUR	CURRENT DRAW @ 12V	OPERATING VOLTAGE	DIMENSIONS
LLPMVA	Single, double, quad, static on	Amber	0.1 Amps	10 - 130 VDC	45mm (H) 77mm (D)

TECHNICAL DRAWING



© ACOT500®

LED PORTABLE RECHARGABLE BEACON

- Operating Voltage: 12 VDC
- LED: High Intensity 1W LED x 1 Per Panel, 6 Panels
- Current Draw: Max 1.2 Amps
- Operating Temperature: -20°C to 85°C
- Material: UV Stabilized Polycarbonate Lens / Base, ABS Cap and Body

RECHARGABLE LED BEACON

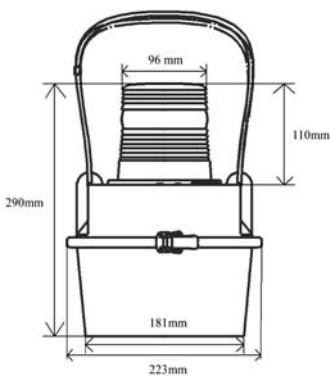
PART NO.	DESCRIPTION
LB7006AB	Amber LED Rechargeable Beacon and Charger
LB7006ABM4	Amber LED Rechargeable Beacon, Charger and x 4 Magnets
LB7006ABM8	Amber LED Rechargeable Beacon, Charger and x 8 Magnets
LB7006ABM12	Amber LED Rechargeable Beacon, Charger and x 12 Magnets



LIGHTING MODES - SELECTABLE FLASH PATTERNS

FLASH PATTERNS	TROUBLESHOOTING	REFERENCED WORKING HOURS
Single Flash	120 FPM, Skips 1 Flash when the Battery is Low	12HRs
Double Flash	90 FPM, Skips 1 Flash when the Battery is Low	14HRs
Quad Flash	72 FPM, Skips 1 Flash when the Battery is Low	15HRs
Rotating	166 RPM, 90RPM when the Battery is Low	24HRs
Static		18HRs
		(Calculated using a Fully Charged 12V 7A Battery)

TECHNICAL DRAWING



LARGE STROBE BEACON 110VAC AND 230VAC

- Selectable flash patterns
- PC Board is epoxy potted to extend the lifespan of the beacon
- Operating Temperature: -20 to 85°C
- Flash rate: 65 - 75 flashes per minute
- Current draw: 110 VAC (0.3 Amps) 230 VAC (0.2 Amps)
- IP65 Rated - splash and dust proof



110 VAC PART NO.	230 VAC PART NO.	COLOUR	SELECTABLE FLASH PATTERN	JOULES S3110	JOULES S3230	DIMENSIONS
S3110AB	S3230AB	Amber	Single Double Triple	6.1 J/s (6.1 W/s) 8.2 J/s (8.2 W/s) 8.6 J/s (12.4 W/s)	6.1 J/s (6.1 W/s) 8.8 J/s (8.8 W/s) 9.6 J/s (12.4 W/s)	127mm (H) 161mm (D)
S3110BB	S3230BB	Blue				
S3110CB	S3230CB	Clear				
S3110GB	S3230GB	Green				
S3110MB	S3230MB	Magenta				
S3110RB	S3230RB	Red				

PARTS & ACCESSORIES

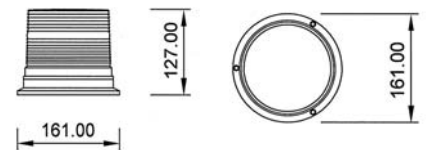


POLE MOUNT	AMBER LENS	BLUE LENS	CLEAR LENS	GREEN LENS	RED LENS	MAGENTA LENS
3000PM	3000AL	3000BL	3000CL	3000GL	3000RL	3000ML



GLOBE
3110FT

TECHNICAL DRAWING



ROTATING LIGHT 110VAC AND 230VAC

- Current draw: 110 VAC (0.3 Amps) 230 VAC (0.2 Amps)

110 VAC PART NO.	220 VAC PART NO.	COLOUR	FLASHES PER MINUTE	DIMENSIONS
R5110AB	R5230AB	Amber	±180 FPM	211mm (H) 147mm (D)
R5110GB	R5230GB	Green		
R5110RB	R5230RB	Red		

PARTS & ACCESSORIES



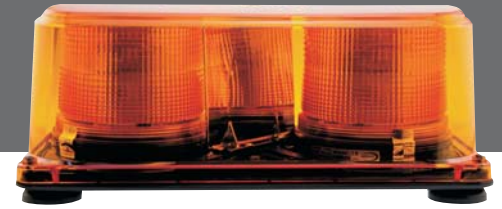
AMBER LENS	GREEN LENS	RED LENS	GLOBE 110 VAC	GLOBE 230 VAC
5220AL	5220GL	5220RL	110V40W	230V40W



© ACOT500®

LARGE LED / STROBE MINI BAR

- Available in Rotating, LED or Strobe versions
- Hardwire: Permanent mount without plug
- Magnetic Base: with plug to suit standard automotive power outlet and 4m coiled cable
- Customisable light



LARGE LED MINI BAR

HARDWIRE PART NO.	MAGNETIC PART NO.	FLASH PATTERN	COLOUR	CURRENT DRAW @ 12V	OPERATING VOLTAGE	HARDWIRE DIMENSIONS	MAGNETIC DIMENSIONS
ML3018AB	ML3018ABM	Single Double Quad	Amber	6.4 Amps	12 - 24 VDC	149mm (H) 181mm (D) 398mm (W)	166mm (H) 181mm (D) 398mm (W)
ML3018BB	ML3018BBM		Blue				
ML3018CB	ML3018CBM		Clear				
ML3018GB	ML3018GBM		Green				
ML3018RB	ML3018RBM		Red				
ML3018MB	ML3018MBM		Magenta				



LARGE STROBE MINI BAR

HARDWIRE PART NO.	MAGNETIC PART NO.	FLASH PATTERN	COLOUR	CURRENT DRAW @ 12V	OPERATING VOLTAGE	HARDWIRE DIMENSIONS	MAGNETIC DIMENSIONS
MS3021AB	MS3021ABM	Double Flash Pattern	Amber	5 Amps	12 - 24 VDC	149mm (H) 181mm (D) 398mm (W)	166mm (H) 181mm (D) 398mm (W)
MS3021BB	MS3021BBM		Blue				
MS3021CB	MS3021CBM		Clear				
MS3021GB	MS3021GBM		Green				
MS3021RB	MS3021RBM		Red				
MS3021MB	MS3021MBM		Magenta				



LARGE ROTATING MINI BAR

HARDWIRE PART NO.	MAGNETIC PART NO.	FLASH PATTERN	COLOUR	CURRENT DRAW @ 12V	OPERATING VOLTAGE	HARDWIRE DIMENSIONS	MAGNETIC DIMENSIONS
MR3124AB-12V	MR3124ABM-12V	±120 Rotations per minute	Amber	9.6 Amps	12 VDC	149mm (H) 181mm (D) 398mm (W)	166mm (H) 181mm (D) 398mm (W)
MR3124BB-12V	MR3124BBM-12V		Blue				
MR3124CB-12V	MR3124CBM-12V		Clear				
MR3124GB-12V	MR3124GBM-12V		Green				
MR3124RB-12V	MR3124RBM-12V		Red				
MR3124MB-12V	MR3124MBM-12V		Magenta				
MR3124AB-24V	MR3124ABM-24V		Amber		12 VDC		
MR3124BB-24V	MR3124BBM-24V		Blue				
MR3124CB-24V	MR3124CBM-24V		Clear				
MR3124GB-24V	MR3124GBM-24V		Green				
MR3124RB-24V	MR3124RBM-24V		Red				
MR3124MB-24V	MR3124MBM-24V		Magenta				

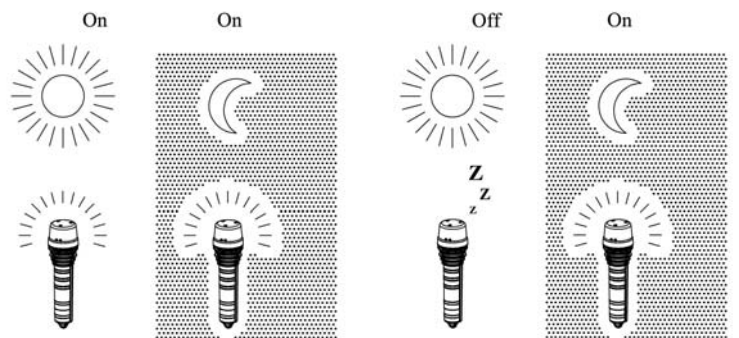


LED CONE LIGHT

- Polycarbonate lens and ABS Battery housing
- Operating Temperature: -20 to 80°C

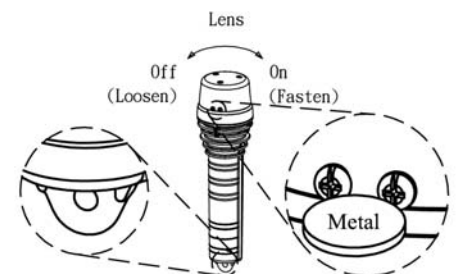
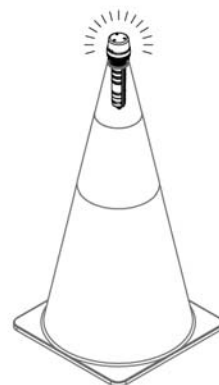
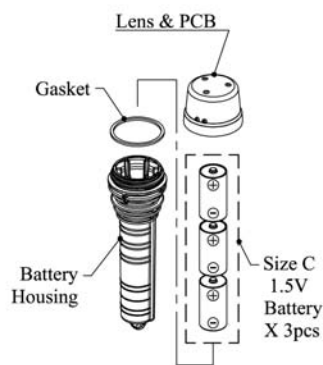
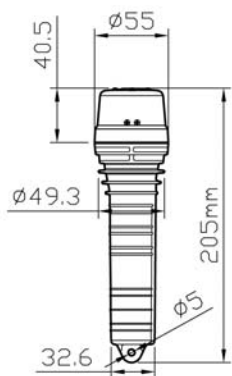


MANUAL PART NO.	DAY / NIGHT FUNCTION PART NO.	COLOUR	FLASH PATTERN
L2AAO	LN2AAO	Amber	Quad 75 ±5
L2BBO	LN2BBO	Blue	Double 80 ±5
L2CCO	LN2CCO	Clear	Single 80 ±5
L2GGO	LN2GGO	Green	Static
L2RRO	LN2RRO	Red	Irregular flash pattern when battery is low



Manual On/Off
LS Series

Day/Night Function
1. Keep the lens fastened
2. Static pattern excluded
LN2 Series



To change the flash pattern, use a metal object to bridge the two screws for 0.5 seconds.

LAZER FLASH

- 1 x 1 Watt LED
- Linear Light Emission
- PC Board is epoxy to extend the lifespan of the beacon
- Ready to be wired in
- Coloured LED with clear casing
- 10 - 30 VDC
- Available in Quad Flash (72 FPM) or Static (constant on) versions
- IP66 Rated - splash and dust proof

PART NO.	COLOUR	CURRENT DRAW	FLASH PATTERN	CABLE LENGTH	MOUNTING HOLE	DIMENSIONS
L1AB	Amber	0.1 Amps	Quad flash	3.5m	13mm	65mm x Ø 44
L1BB	Blue					
L1CB	Clear					
L1GB	Green					
L1RB	Red					
LC1AB	Amber		Static			
LC1BB	Blue					
LC1CB	Clear					
LC1GB	Green					
LC1RB	Red					



PI-LIT™ SEQUENTIAL FLARE

- Simply turn on one at a time and flares will automatically sequence
- Directs traffic and warns drivers of activity ahead
- No limit to number of flares in a sequenced chain
- Super bright 360° viewing angle
- Automatically adjusts LED's to horizontal or vertical orientation
- Rugged and durable design to withstand the toughest conditions
- Magnetic base for quick attachments to vehicles
- Operating frequency within the 2.4 Ghz range
- Five group frequencies available to order allowing multiple sequenced chains to operate within the same area - yellow (default), blue, green, orange, beige
- Suitable for use in rain and snow
- Operates on 4 AA batteries per flare
- Approximately 3-4 days of continuous use battery life



PART NO.	COLOUR	DIMENSIONS
PLSFYA/R	Amber/Red	Individual Flare - Default Frequency.
PLSFYB/B	Blue/Blue	Individual Flare - Default Frequency.
PLSFYR/R	Red/Red	Individual Flare - Default Frequency.
PLSFYA/R-KIT	Amber/Red	Set of 10 in Carry case - Default Frequency.
PLSFYB/B-KIT	Blue/Blue	Set of 10 in Carry case - Default Frequency.
PLSFYR/R-KIT	Red/Red	Set of 10 in Carry case - Default Frequency.
PLRC		Pi-Lit Remote Control



©ACOT500®

LED CLUSTER

- High intensity, High power LED's
- Simultaneously flash multiple patterns
- Water resistant and dust proof
- Operating Temperature: -10 to 80°C
- Static units use external flasher unit



3 LED PROGRAMMABLE PART NO.	3 LED STATIC PART NO.	FLASH PATTERN	LED COLOUR	LENS COLOUR	LED'S	CURRENT DRAW @ 12V	OPERATING VOLTAGE	DIMENSIONS
L4103AA	L4103AA-S	- Single - 75FPM	Amber	Amber	3x 1 Watt	0.35 Amps	12 - 24 VDC	101mm (L) 41mm (W) 29mm (H)
L4103AC	L4103AC-S	- Single + Double - 72FPM	Amber	Clear				
L4103BB	L4103BB-S	- Quad - 72FPM	Blue	Blue				
L4103BC	L4103BC-S	- Patterns cycle mode	Blue	Clear				
L4103CC	L4103CC-S	- Fade in/out - 30FPM	Clear	Clear				
L4103CM	L4103CM-S	- Steady On	Clear	Magenta				
L4103GG	L4103GG-S		Green	Green				
L4103GC	L4103GC-S		Green	Clear				
L4103RR	L4103RR-S		Red	Red				
L4103RC	L4103RC-S		Red	Clear				
4 LED PROGRAMMABLE PART NO.	4 LED STATIC PART NO.	FLASH PATTERN	LED COLOUR	LENS COLOUR	LED'S	CURRENT DRAW @ 12V	OPERATING VOLTAGE	DIMENSIONS
L4104AA	L4104AA-S	- Single - 75FPM	Amber	Amber	4x 1 Watt	0.7 Amps	12 - 24 VDC	121mm (L) 41mm (W) 29mm (H)
L4104AC	L4104AC-S	- Left 2 / Right 2 Alternate	Amber	Clear				
L4104BB	L4104BB-S	Single - 120FPM	Blue	Blue				
L4104BC	L4104BC-S	- Single + Double - 72FPM	Blue	Clear				
L4104CC	L4104CC-S	- Double - 90FPM	Clear	Clear				
L4104CM	L4104CM-S	- Quad - 72FPM	Clear	Magenta				
L4104GG	L4104GG-S	- Patterns cycle mode	Green	Green				
L4104GC	L4104GC-S	- Fade in/out - 30FPM	Green	Clear				
L4104RR	L4104RR-S	- Steady On	Red	Red				
L4104RC	L4104RC-S		Red	Clear				

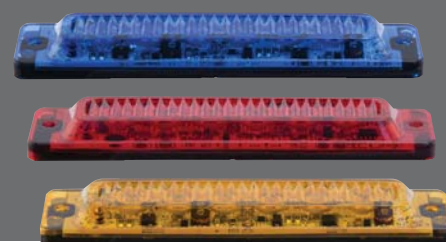
L4106 BZL
L4108 BZL

6 LED black bezel
8 LED black bezel



SLIM LED CLUSTER

- High power, high intensity LED cluster with low profile design
- Water resistant and dust resistant
- CE certified
- PC Board is epoxy potted for durability and increased lifespan
- Operating Temperature: -25 to 85°C
- Polycarbonate UV stabilised lens



6 LED PROGRAMMABLE PART NO.	6 LED STATIC PART NO.	FLASH PATTERN	LED COLOUR	LENS COLOUR	LED'S	CURRENT DRAW @ 12V	OPERATING VOLTAGE	DIMENSIONS
L41506AA	L41506AA-S	- Single - 75FPM	Amber	Amber	6x 2 Watt	0.5 Amps	12 - 24 VDC	121mm (L) 41mm (W) 29mm (H)
L41506AC	L41506AC-S	- Left 3 / Right 3 Alternate	Amber	Clear				
L41506BB	L41506BB-S	Single - 120FPM	Blue	Blue				
L41506BC	L41506BC-S	- Single + Double - 72FPM	Blue	Clear				
L41506CC	L41506CC-S	- Double - 90FPM	Clear	Clear				
L41506CM	L41506CM-S	- Quad - 72FPM	Clear	Magenta				
L41506GG	L41506GG-S	- Patterns cycle mode	Green	Green				
L41506GC	L41506GC-S	- Fade in/out - 30FPM	Green	Clear				
L41506RR	L41506RR-S	- Steady On	Red	Red				
L41506RC	L41506RC-S		Red	Clear				

©ACOT500®

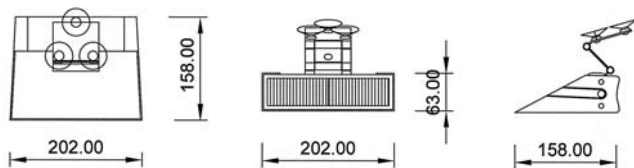
LED DASH LIGHT

- 12 x 1 Watt high intensity LED's
- Hinge rotationally adjustable
- Current limit protection
- Reverse polarity protection
- Aluminum housing



PART NO.	FLASH PATTERNS	COLOUR	CURRENT DRAW @ 12V	OPERATING VOLTAGE	DIMENSIONS
L4050AA	28 Selectable flash patterns	Amber	2.8 Amps	12 - 24 VDC	202mm (L) 158mm (W) 63mm (H)
L4050BB		Blue			
L4050BR		Blue/Red			
L4050CC		Clear			
L4050GG		Green			
L4050RR		Red			

TECHNICAL DRAWING



SLIM LED DASH LIGHT

- 12 x 3 Watt high intensity LED's
- Colour combinations can be customised
- Quick installation
- Slim, low profile design
- Intense light output
- 3 suction cups for easy mounting
- 3 meter lead length



PART NO.	FLASH PATTERNS	COLOUR	CURRENT DRAW @ 12V	OPERATING VOLTAGE	DIMENSIONS
L4056AA	17 Selectable flash patterns	Amber	0.2 Amps	12 - 24 VDC	81mm (D) 259mm (W) 53mm (H)
L4056BB		Blue			
L4056BR		Blue/Red			
L4056CC		Clear			
L4056GG		Green			
L4056RR		Red			

©ACOT500®

STROBE KIT AND HEADLIGHT FLASHER

- Control box 4 outlet w/cable and bulb
- Flash model: LED Display
- Fuse: 10A x1pc
- Not CAN-BUS Compliant



STROBE KIT

PART NO.	FLASH PATTERN	COLOUR	OUTPUT ENERGY	OPERATING VOLTAGE	DIMENSIONS
S3500K	10	Black	24.5 J 60W	12-26 VDC	KIT
S3500					144.5mm (L) 168.5mm (W) 63.6mm (H)
S3500-2			20W		120mm (L) 90mm (W) 42mm (H)

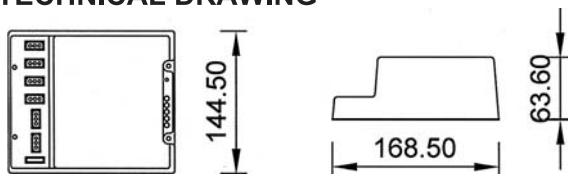


HEADLIGHT FLASHER

3512HF 3524HF				12 VDC 24 VDC	99.40mm (L) 55mm (W) 37mm (H)
------------------	--	--	--	------------------	-------------------------------------



TECHNICAL DRAWING



LED KIT

- GEN III LED Technology employed
- Aluminium base for heat disipation and construction strength
- Available in a 9 LED lighthouse
- Polycarbonate clear lens
- 30 Flash patterns
- Multiple Heads can be Synchronized (27.23 mm x 38.1 mm)
- 11-30 Volt DC
- 0.6 Amp Draw at 13.8 VDC



PART NO.	FLASH PATTERN	COLOUR	OUTPUT ENERGY	OPERATING VOLTAGE	DIMENSIONS
L3500A	30	Amber	0.3 Amps	12-24 VDC	1072mm (L) 1.5mm (W) 1.28mm (H)
L3500B		Blue			
L3500C		Clear			
L3500R		Red			



©ACOT500®

AMPLIFIER AND SIREN DRIVER UNIT

A compact, dual voltage 100W Siren unit with optional input and output capabilities, that either operates independently or can be connected to another MCS-SE siren to create a dual siren sound effect. PA and Radio broadcast facilities are also available when fitted with an optional microphone.

- 12VDC and 24VDC operation
- Interconnects to related products via proprietary CAN Bus
- Can be enabled from an input or compatible multi-way switch
- Hands free operation via the HRT (Horn Ring Transfer) feature enables scrolling through pre-selected siren tones
- Selectable siren sounds with Air/Bull horn option
- Siren active output (ideal as Data Recorder Input)
- PA & radio re-broadcast facility
- Supports 8 and 11 OHM speakers
- City mode volume reduction feature
- Workshop mode volume suppression feature for testing



The MCS-SE can also be linked with another MCS-SE siren device to create a 'two siren' sound effect from one vehicle.

With the following system functions and features:

- Tones from each unit will be different
- Tones from each device will be un-synchronised to give a two vehicle effect
- Dual 100W siren outputs via two separate 100W speakers

Maximum ratings:

- 34VDC supply voltage
- Current draw 15 Amps
- 4 milliamps typical standby current - switch de-activated
- 22 milliamps typical standby current - switch activated
- 35 milliamps maximum standby current - switch activated
- -20°C to 70°C standby temperature
- -20°C to 65°C operating temperature

Power:

- 1 x DC on pluggable adaptor (15 Amp fuse must be used)
- 1 x Ground/chassis connection (should be rated to handle 15 Amps or more)



100W speaker:

- Suitable for 60W and 100W operation
- 100W output - 127dB(A) at 1m
- 8 OHMs impedance



100W Flat speaker:

- A robust corrosion resistant 100W flat speaker
- The exceptionally slim speaker housing makes it easy to install either horizontally or vertically behind the vehicles grille or bumper
- 127dB(A) at 1m - 100W
- Suitable for 60W and 100W operation
- 11 OHMs impedance

Dimensions:

155mm (H) x 155mm (W) x 75mm (D)

Digital inputs:

- 3 x positive/negative switched
- 2 x positive switched (HRT, Airhorn)
- 2 x negative switched (HRT, Airhorn)

Analog monitoring:

- Incoming system voltage sense
- Internal temperature monitor
- Siren system current monitor
- System has cooling using internal fan

Outputs:

- 3 x high or low switching 500 milliamps rated transistors with internal re-settable fuse protection
- 100W siren speaker output 8 or 11 OHM selectable

Communication:

- 1 x CAN Bus 2.0 full speed interface

Dimensions:

110mm (W) x 50mm (H) x 159mm (D)

AMPLIFIER AND SIREN DRIVER UNIT

A compact, dual voltage 100W siren unit that can either operate as an independent unit, or be connected with another compact MCS-SSA siren device to create a synchronized tone.

- 12VDC and 24VDC operation
- Interconnects to related products via proprietary CAN Bus
- Can be operated from an input or compatible multi-way switch
- Hands free operation via the HRT (Horn Ring Transfer) feature enables scrolling through pre-selected siren tones
- Selectable siren sounds with Air/Bull horn option
- Siren active output (ideal as Data Recorder Input)
- On board status LED's
- Supports 8 and 11 OHM speakers
- City mode volume reduction feature
- Workshop mode volume suppression feature for testing

The MCS-SSA can also be linked with other compatible siren devices to create a synchronized sound effect from one vehicle when used with one of the following devices:

- MCS-32 Universal Controller
- MCS-16 Universal Controller
- MCS-8 Universal Controller

System functions and features:

- Tones from each unit will be synchronised
- Dual 100W Siren outputs via two separate 100W speakers

Maximum ratings:

- 34VDC supply voltage
- Current draw 15 Amps
- 4 milliamps typical standby current - switch de-activated
- 22 milliamps typical standby current - switch activated
- 35 milliamps maximum standby current - switch activated
- -20°C to 70°C standby temperature
- -20°C to 65°C operating temperature

Power:

- 1 x DC on pluggable adaptor (15 Amp fuse must be used)
- 1 x Ground/chassis connection (should be rated to handle 15 Amps or more)

Digital inputs:

- 1 x positive/negative switched
- 1 x positive switched (HRT, Airhorn)
- 1 x negative switched (HRT, Airhorn)

Analog monitoring:

- Incoming system voltage sense
- Internal temperature monitor
- Siren system current monitor

Outputs:

- 100W siren speaker output 8 or 11 OHM selectable

Communication:

- 1 x CAN Bus 2.0 full speed interface

Dimensions:

110mm (W) x 55mm (H) x 112mm (D)



ASSASSIN LIGHTBAR

The purpose of an ASSASSIN light bar is to provide road vehicles with high level lighting, making the vehicle more visible through dust, mist, fog, night time and day time. Allowing the vehicle to be extremely visible when entering and traveling in hazardous conditions, warning all traffic of the vehicles presence.



Specifications

- Height 65mm (excluding mounting feet)
- Width 200mm
- Standard Length(s): 387mm, 535mm, 685mm, 832mm, 980mm 1130mm and 1278mm

Features and benefits

- Ultra low profile unit
- Aerodynamically designed to reduce airflow resistance
- Robust design to withstand harsh mining conditions
- 180° vertical light output
- 360° horizontal light output
- Low current draw
- 1w x 4 LED cluster per panel
- 1w x 8 LED cluster end cap with 45 degree offsets
- LED's Integrated into lens
- Modular design for easy construction and maintenance
- Operating temperature -10 to 85°C
- Customised signage available

Construction

- Aluminum base and lid
- Polycarbonate lens / UV Stabilised
- PC board epoxy coated
- Rubber pads to isolate vibration and protect the roof of the vehicle

Certifications

- IP66 Rated - splash and dust proof
- EMC/EMI Certified
- C-Tick

ASSASSIN LIGHTBAR



PRODUCT DESCRIPTION

Length: 609mm
Voltage: 12V or 24V
Lens Colour: Clear, Amber, Red, Blue
LED Colour: Amber, Red, Blue
Mounting: Magnetic or Hardwire



Length: 1204mm
Voltage: 12V or 24V
Lens Colour: Clear, Amber, Red, Blue
LED Colour: Amber, Red, Blue
Mounting: Hardwire



Length: 1130mm
Voltage: 12V or 24V
Lens Colour: Clear, Red, Blue
LED Colour: Red, Blue
Mounting: Hardwire
Sign: LED illumination option



Length: 1204mm
Voltage: 12V or 24V
Lens Colour: Clear, Red, Blue
LED Colour: Clear, Red, Blue
Mounting: Hardwire



Length: 1204mm
Voltage: 12V or 24V
Lens Colour: Clear, Blue
LED Colour: Clear, Blue
Mounting: Hardwire
Speaker Driver: Built in



Length: 1204mm
Voltage: 12V or 24V
Lens Colour: Clear, Blue
LED Colour: Blue
Mounting: Hardwire



Length: 1130mm
Voltage: 12V or 24V
Lens Colour: Clear, Blue
LED Colour: Blue
Mounting: Hardwire
Speaker Driver: Built in
Sign: LED illumination option

ASSASSIN RECESS LIGHTBAR

The Assassin Recess Light Bar was developed to fill the void where a full light bar is not required. This light bar can be mounted on the front and/or back of canopies. End caps can also be added to the ends so the light can hug the vehicle for maximum light exposure.



PRODUCT DESCRIPTION

Length: 1406mm
Voltage: 12V or 24V
Lens Colour: Clear or Red
LED Colour: Red
Mounting: Hardwire

Length: 963mm
Voltage: 12V or 24V
Lens Colour: Clear, Amber, Red, Blue
LED Colour: Amber, Red, Blue
Mounting: Hardwire

Length: 963mm
Voltage: 12V or 24V
Lens Colour: Clear or Amber
LED Colour: Amber
Mounting: Hardwire

PREMIUM MINE LIGHTBAR

- Modular design for easy construction and maintenance
- Custom signage can be added if required
- C-Tick EMC/EMI Certified
- IP66 Rated - splash and dust proof



PRODUCT DESCRIPTION

Length: 1054mm
 Voltage: 12V or 24V
 Lens Colour: Clear, Red, Amber
 LED Colour: Clear, Red, Amber
 Mounting: Hardwire
 Reverse Alarm

STANDARD MINE LIGHTBAR

- Modular design for easy construction and maintenance
- Incorporates a Small LED Beacon which features 6 high intensity LED's with 5 different flash patterns
- Includes 2 pin male deutsch plug to power whip aerial (aerial sold separately)
- Custom signage can be added if required
- C-Tick EMC/EMI Certified
- IP66 Rated - splash and dust proof



PART NO.	PRODUCT SPECIFICATIONS	DIMENSIONS
MB1186BA97LI	2 x Stop Tail, 2 Indicators, 2 Reverse Lights, 1 Reverse Alarm 97db, 1 L1206AB Beacon	115mm (H) 1186mm (W)
MB1186BA97LI /I	2 x Stop Tail, 2 Indicators, 2 Reverse Lights, 1 Reverse Alarm 97db, 1 L1206AB Beacon 2 Front Indicators	
MB1186BA97LI /S	2 x Stop Tail, 2 Indicators, 2 Reverse Lights, 1 Reverse Alarm 97db, 1 L1206AB Beacon 2 Top Work Lights	
MB1186BA97LI //S	2 x Stop Tail, 2 Indicators, 2 Reverse Lights, 1 Reverse Alarm 97db, 1 L1206AB Beacon 2 Front Indicators, 2 Top Work Lights	
MB1260BA97LI	2 x Stop Tail, 2 Indicators, 2 Reverse Lights, 1 Reverse Alarm 97db, 1 L1206AB Beacon	115mm (H) 1260mm (W)
MB1260BA97LI /I	2 x Stop Tail, 2 Indicators, 2 Reverse Lights, 1 Reverse Alarm 97db, 1 L1206AB Beacon 2 Front Indicators	
MB1260BA97LI /S	2 x Stop Tail, 2 Indicators, 2 Reverse Lights, 1 Reverse Alarm 97db, 1 L1206AB Beacon 2 Top Work Lights	
MB1260BA97LI //S	2 x Stop Tail, 2 Indicators, 2 Reverse Lights, 1 Reverse Alarm 97db, 1 L1206AB Beacon 2 Front Indicators, 2 Top Work Lights	

ASSASSIN LIGHTBAR



PRODUCT DESCRIPTION

Length: 239mm
Voltage: 12V or 24V
Lens Colour: Clear or Amber
LED Colour: Amber
Mounting: Magnetic or Hardwire

Length: 387mm
Voltage: 12V or 24V
Lens Colour: Clear or Amber
LED Colour: Amber
Mounting: Magnetic or Hardwire

Length: 609mm
Voltage: 12V or 24V
Lens Colour: Clear or Amber
LED Colour: Amber
Mounting: Magnetic or Hardwire

Length: 1130mm
Voltage: 12V or 24V
Lens Colour: Clear or Amber
LED Colour: Amber
Mounting: Hardwire
Sign: LED illumination option

Length: 1130mm
Voltage: 12V or 24V
Lens Colour: Clear or Amber
LED Colour: Amber
Mounting: Hardwire

Length: 1204mm
Voltage: 12V or 24V
Lens Colour: Clear or Amber
LED Colour: Amber
Mounting: Hardwire

Length: 1130mm
Voltage: 12V or 24V
Lens Colour: Clear or Red
LED Colour: Red
Mounting: Hardwire

RIVAL MINI BAR

- Ultra low profile
- Hardwire: permanent mount without plug
- Magnetic Base: with plug to suit standard automotive power outlet
- Magnetic Base includes 3 Rare Earth magnets and 4m lead length
- 180° vertical light output, 360° horizontal light output
- Single face end caps with 4 x 1 Watt LED's per side
- Robust design to withstand tough conditions
- 4 x 1.5 Watt LED's on front and back
- IP66 Rated - splash and dust proof



PART NO.	MOUNT	FLASH PATTERN	COLOUR	OPERATING VOLTAGE	CURRENT DRAW @ 12V	DIMENSIONS
ALU238-24AA-12V	Hardwire	Quad	Amber (LED) Amber (Lens)	12 VDC	1.7 Amps	238mm (W) 200mm (D) 65mm (H) Height excluding mounting feet or magnets
ALU238-24AAM-12V	Magnetic					

LED MINI BAR

- Ultra low profile
- Hardwire: permanent mount without plug
- Magnetic Base: with plug to suit standard automotive power outlet
- Magnetic Base includes 3 Rare Earth magnets and 4m lead length
- 180° vertical light output, 360° horizontal light output
- 3 sided end caps with 4 x 1 Watt LED's per side
- Robust design to withstand tough conditions
- 4 x 1 Watt LED's on front and back
- IP66 Rated - splash and dust proof



PART NO.	MOUNT	FLASH PATTERN	LED'S	COLOUR	OPERATING VOLTAGE	CURRENT DRAW @ 12V	DIMENSIONS
ALS373AA12-24V	Hardwire	Quad	32	Amber (LED) Amber (Lens)	12 - 24 VDC	0.6 Amps	373mm (W) 200mm (D) 65mm (H) Height excluding mounting feet or magnets
ALS373AC12-24V	Hardwire			Amber (LED) Clear (Lens)			
ALS373AAM12-24V	Magnetic			Amber (LED) Amber (Lens)			
ALS373ACM12-24V	Magnetic			Amber (LED) Clear (Lens)			

©ACOT500®

ASSASSIN ARROW BAR

- Operating Voltage 12 or 24 VDC
- Includes controller
- High quality LED designed for long lasting colour and clarity
- Operating Temperature: -10°C to 85°C
- Material: UV Stabilized Polycarbonate Lens / Aluminium base and lid / PC Board epoxy coated
- IP66 Rated - splash and dust proof

PART NO.	FLASH PATTERN	LED MODULES	COLOUR	MOUNT	OPERATING VOLTAGE	DIMENSIONS
ALA1114-20AA-12V	Arrow flash pattern: Chasing left, chsing right, chasing double	20	Amber (LED) Amber (Lens)	Hardwire	12 VDC	1114mm (L) 580mm (H)
ALA1114-20AA-24V					24 VDC	



CUSTOMISED LIGHTBARS

These light bars can be custom built to the operator's requirements.

- IP66 Rated - splash and dust proof



ASSASSIN CUSTOMISED LIGHTBARS

Length: 445mm
Voltage: 12V or 24V
Lens Colour: Clear, Red
LED Colour: Red
Mounting: Hardwire
Sign: LED illumination option

Length: 535mm
Voltage: 12V or 24V
Lens Colour: Clear, Amber, Red
LED Colour: Amber, Red
Mounting: Magnetic or Hardwire
Sign: LED illumination option

Length: 832mm
Voltage: 12V or 24V
Lens Colour: Clear, Green
LED Colour: Green
Mounting: Magnetic or Hardwire
Sign: LED illumination option

Length: 1130mm
Voltage: 12V or 24V
Lens Colour: Clear, Amber, Magenta
LED Colour: Clear, Amber
Mounting: Hardwire
Sign: LED illumination option

CUSTOMISED ROOFRACKS

Length: 1200mm (Custom)
Mounting: Permanent
Spot Lights: Optional
Beacons: Optional

Length: 1200mm (Custom)
Voltage: 12V or 24V
Mounting: Hardwire
Rotating Beacons: Optional
Speaker Driver: Optional

Length: Custom
Mounting: Hardwire

Length: Custom
Voltage: 12V or 24V
Minibar: Optional
Mounting: Hardwire

FORKLIFT LIGHTING & REVERSING ALARMS

There is no doubt that safety is everyone's number one concern.

With the development of the forklift lighting and reversing alarms, safety has been taken to a new level.



BLUE SPOT BEAM
Part No: LV412BC
12-80VDC
12W FLIP CHIP LED



LED BEACON
Part No: LV1200AB
12-80VDC



RED SPOT BEAM
Part No: LV410RC
12-80VDC
12W FLIP CHIP LED



STROBE BEACON
Part No: S1221AB
12-80VDC



WORK LIGHT
Part No: LV315CL-40
Part No: LV315CL-60
12-100VDC
15W COB LED
CCT 5000K / 6500K
BEAM ANGLE 40° / 60°



BACK-UP ALARM
Part No: 160B-97
Part No: 160B-102
Part No: 160B-112
Part No: 160B-107
12-80VDC
97 / 102 / 107 / dB
12-24VDC
112dB



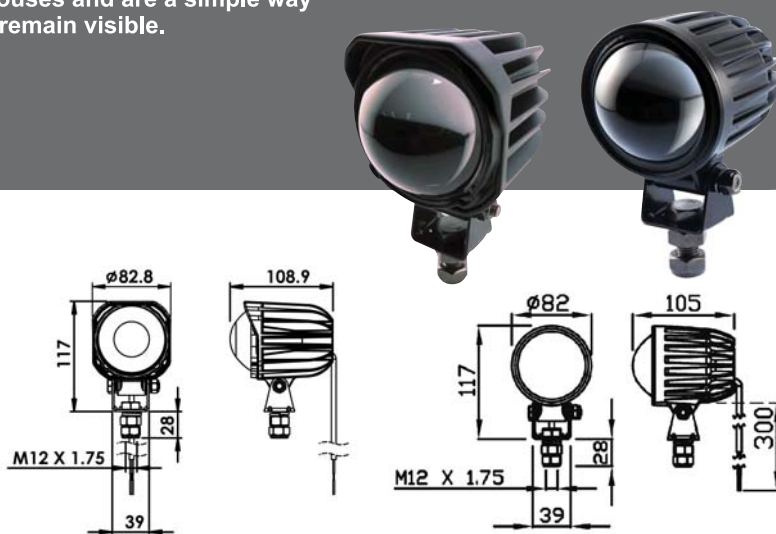
© ACOT500®

BLUE / RED SPOT BEAM

These Blue/Red LED Lights are designed to project a blue/red beam of light on the ground to warn pedestrians of the movements of the fork lift. They are ideal for warehouses and are a simple way to increase employee safety by ensuring fork lifts always remain visible.

- Working temperature: -25°C to 75°C
- Diecast Aluminium Housing
- Reverse Polarity and Voltage Spike Protected
- IP67 Rated - splash and dust proof

PART NO.	COLOURS	CURRENT DRAW @ 12	OPERATING VOLTAGE	DIMENSIONS
LV412BC	Blue	1.0 Amps	12 - 80 VDC	105mm (L) 82mm (D) 117mm (H)
LV410RC	Red			

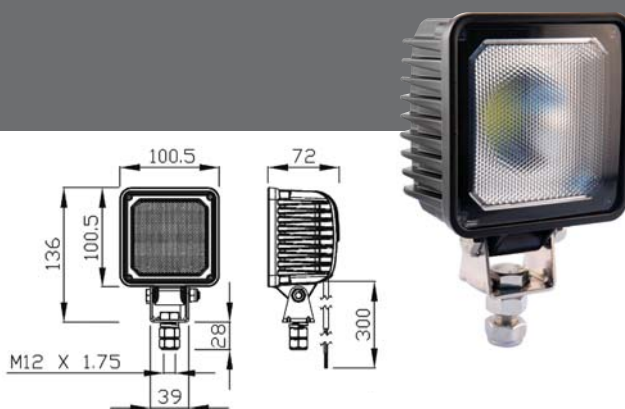


LED WORK LIGHT

The LED Work Lights by ACOT500 are ideal for illuminating work areas around your vehicle for increased safety and visibility. With it's powerful wide angle beam, this versatile LED Work Light is perfect for occupational and recreational uses.

- Working temperature: -25°C to 75°C
- Diecast Aluminium Housing
- Polycarbonate Lens
- S304 Mounting Bracket Set (Bracket / Nuts / Bolts / Washers)
- Reverse Polarity and Voltage Spike Protected
- IP67 Rated - splash and dust proof

PART NO.	COLOUR	BEAM ANGLE	CURRENT DRAW @ 12	OPERATING VOLTAGE	DIMENSIONS
LV315CC-40	Cool White Neutral White	40°	1.8 Amps	12 - 100 VDC	72mm (L) 100mm (W) 136mm (H)
LV315CC-60		60°			



SMALL LED BEACON

These beacons are designed for vehicles and heavy machinery that require 12-80VDC.

- Polycarbonate lens and base
- Operating temperature: -25° to 75°C
- 4 Panels x 1 Watt LED per panel
- Available as a hardwire or magnetic beacon
- IP66 Rated - splash and dust proof

HARDWIRE PART NO.	MAGNETIC PART NO.	COLOUR	OPERATING VOLTAGE	CURRENT DRAW @ 12	HARDWIRE DIMENSIONS	MAGNETIC DIMENSIONS
LV1204AB	LV1204ABM	Amber	12 - 80 VDC	0.8 Amps	95mm (H) 129mm (D)	110mm (H) 129mm (D)



© ACOT500®

REVERSE-CAMERA SYSTEM

Includes: 1 x 7" screen, 1 x infrared CCD camera, 1 x remote control and 1 x 20m cable.

- Ideal for cars, vans, forklifts, buses, cranes, trucks
- Dual voltage 12-24VDC system
- Backlighting for screen, automatically adjusts to the brightness of the environment
- System format: NTSC/PAL
- Simple installation and easy to use, with innovative functions
- 7" LCD screen with 800 x 480 resolution
- A variety of installation options to meet individual requirements
- Automatic NTSC/PAL selection
- Heavy duty stand for secure installation
- Sun shield for easy viewing
- Clear vision at night with infrared LED illumination
- Rain/sun cover to protect the camera
- High quality CCD with large viewing angle (120°)
- Infrared LED's provide clear vision at night
- IP68 Rated - splash and dust proof

PART NO.	LCD MONITOR	WATERPROOF CAMERA
CAM7S1C-20	<p>Screen size 7"</p> <p>Picture display format 16:9/4:3</p> <p>Resolution 800 x 3(RGB) x 480</p> <p>Contrast 500:1</p> <p>Brightness 300cd/m2</p> <p>Power ≤2W</p> <p>Current draw 700mA</p> <p>Operating temperature -20° to 70° C</p> <p>Storage temperature -30° to 85° C</p> <p>Operating power 12-24VDC</p> <p>System Automatic PAL/NTSC</p> <p>Language display 8 language OSD menu: Chinese, English, German, Spanish, French, Russian, Japanese and Portuguese</p> <p>Size 179.3 x 134.3 x 68.8mm (inc sun shield)</p> <p>Net weight About 0.54kg (inc sun shield)</p>	<p>Light sensor Sharp CCD Sensor</p> <p>Video output Standard AV output, auto NTSC/PAL system</p> <p>Effective pixel PAL: 628(H) x 582(V) NTSC: 510(H) x 492(V)</p> <p>Resolution 420 TV lines</p> <p>Minimum illumination 0.5 Lux</p> <p>View angle 120 degree</p> <p>S/N ratio More than 48dB</p> <p>Electron shutter 1/60~1/5000(s)</p> <p>Supply voltage 9-15VDC</p> <p>Storage temperature -20° to 60° C, RH95%Max</p> <p>Waterproof rating IP68</p> <p>Night vision distance 10m</p> <p>Multi-function Night vision, waterproof, anti-fogging, shock resistance, mirror function</p>



©ACOT500®

QUAD CAMERA SYSTEM

Includes: 1 x 7" screen, 3 x infrared CCD cameras, 1 x internal infrared camera, 1 x 2,5m cable, 2 x 5m cables, 1 x 20m cable and 1 x remote control.

- Suitable for waste management vehicles to monitor hopper area
- Suitable for school buses to monitor back and side door
- Suitable for animal transportation vehicles to monitor livestock
- Suitable for recreational vehicles to see blind spots, also suitable for garbage trucks, vans, cranes, etc
- Dual voltage 12-24VDC system
- 7" TFT LCD screen with 900 x 480 resolution
- Automatic NTSC/PAL selection
- Quad monitor with smart-switch over
- Heavy duty stand for secure installation
- Sun shield for easy viewing
- Rain/sun shutter to protect the camera
- High quality CCD with large viewing angle (120°)
- Light sensor control (automated ON/OFF)
- 18 infrared LED's provide clear vision at night
- IP68 Rated - splash and dust proof

PART NO.	LCD PARAMETERS		CAMERA SPECIFICATIONS		
			SPECIFICATION	CCD CAMERA	INSIDE CAMERA
CAM7S4C	Screen size	7"	Light sensor	1/4 Sharp CCD	1/4 Sharp CCD
	Picture display format	16:9/4:3	Video output	Standard AV output, auto NTSC/PAL system	Standard AV output, auto NTSC/PAL system
	Resolution	900 x 3 (RGB) x 480	Min. effective pixel	PAL: 628(H) x 582 (V) NTSC: 510(H) x 492(V)	PAL: 628(H) x 582 (V) NTSC: 510(H) x 492(V)
	Contrast	500:1	Resolution	420 TV lines	420 TV lines
	Brightness	300cd/m2	View angle	120°	120°
	Power	≤ 2W	Min. illumination	0.5 Lux	0.5 Lux
	Current draw	700mA	S/N ratio	More than 48dB	More than 48dB
	Operating temperature	-20° to 70°C	Electron shutter	1/60~1/5000(s)	-
	Storage temperature	-30° to 85°C	Lens focal length	-	2.5mm-25mm
	Operating voltage	12-24VDC	Supply voltage	10.5-15VDC	10.5-15VDC
	System	Automatic PAL/NTSC	Storage temperature	-20° to 65°C, RH95% max	-20° to 80°C, RH95% max
	Language display	8 languages OSD menu: Chinese, English, German, Spanish, French, Russian, Japanese, Portuguese	Gain control	Auto, white balance: auto	Auto, white balance: auto
	Size	179.3 x 134.3 x 68.8mm (including sun shield)	Waterproof rating	IP68	
	Net weight	About 0.54kg (Including sun shield)			



©ACOT500®

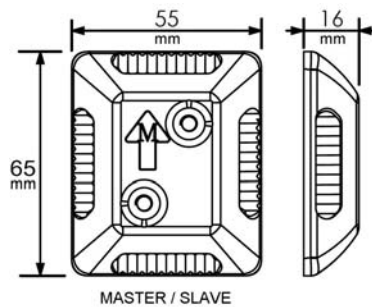
TAIL LIFT LED LIGHT KIT

Increases the visibility of a vehicle tail lift when the tail lift is in motion.

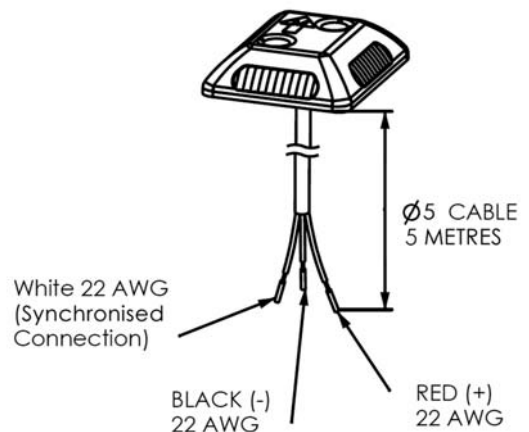
- Automatically activates using a gyroscope located in the Master unit
- Kit includes one Master and one Slave unit
- Withstands up to 5 ton of applied pressure
- Epoxy potted for durability
- 12V option available
- 8 x 0.2 Watt Amber LED's
- Quad flash pattern
- 3mm Stainless Steel housing
- Current draw @ 24V: 0.1 Amp
- Clear polycarbonate lens
- Operating temperature: -25° to 85°C
- IP66 Rated - splash and dust proof



PART NO.	DESCRIPTION
GLKAC-24V	Tail Lift LED Light Kit



*Patent pending in Australia



BOOSTER CLAMP

- Heavy duty terminal clamps with detachable brass crimp lugs
- Ideal for replacing clamps on an existing set or creating custom booster cables to suit your requirements
- Positive and negative clamps have insulated handles to prevent accidental arcing when contacting each other
- Nickel plated with PVC insulated handles
- Serrated clamp ends for maximum grip
- Rated up to 500 Amp
- Set of Positive and Negative clamps



PART NO.	DESCRIPTION
BBC500P	Booster Clamps

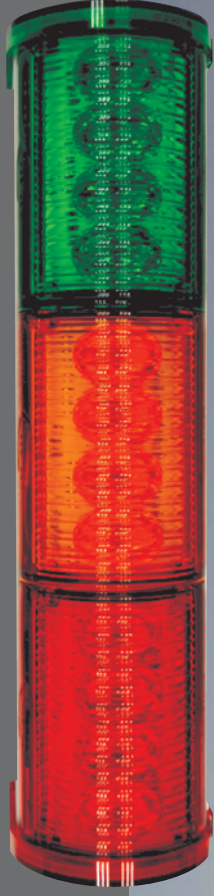
©ACOT500®

LOAD WARNING LIGHT

There is no doubt that safety is everyone's number one concern.

With the development of the Load Warning Light, safety has been taken to a new level.

- IP68 Rated - splash and dust proof



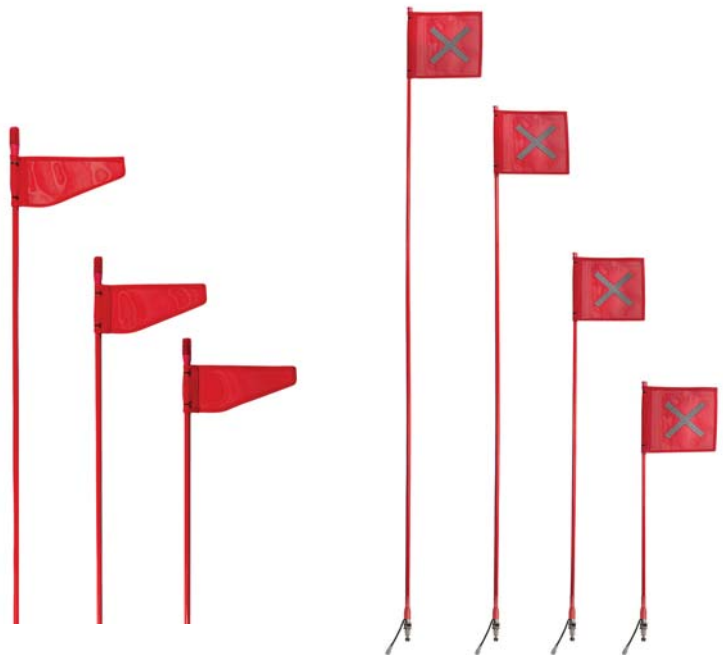
BUGGY WHIP

Quality Buggy Whips (vehicle safety flags) for the mining, recreational and 4x4 sector.

Can be manufactured to suit individual requirements as to height, illuminated or non-illuminated whips.

- Multi LED light, single LED globe
- 12V or 24V available
- All materials are UV stabilized
- Fibre glass resin is tested for maximum strength and continuity
- Choice of flag - pennant, pennant flag with reflective strip, square flag with reflective cross
- All illuminated Buggy Whips supplied with Deutsch plugs
- Quick release bases are manufactured with 304 stainless steel
- Fixed bases are manufactured with zinc plated steel

PART NO.	DESCRIPTION
TB1.2FMLQR	1.2m, Flag / Multi Led / Quick Release
TB1.5FMLQR	1.5m, Flag / Multi Led / Quick Release
TB1.8FMLQR	1.8m, Flag / Multi Led / Quick Release
TB2.4FMLQR	2.4m, Flag / Multi Led / Quick Release
TB1.2FLQR	1.2m, Flag / Light / Quick Release
TB1.5FLQR	1.5m, Flag / Light / Quick Release
TB1.8FLQR	1.8m, Flag / Light / Quick Release
TB2.4FLQR	2.4m, Flag / Light / Quick Release
TB1.2FQR	1.2m, Flag / Quick Release
TB1.5FQR	1.5m, Flag / Quick Release
TB1.8FQR	1.8m, Flag / Quick Release
TB2.4FQR	2.4m, Flag / Quick Release



FUN FACTS

OHMS LAW

Ohm's law (named after the German physicist Georg Ohm) defines the relationship between Voltage, Current and Resistance.

$$E = I \times R$$

Where:

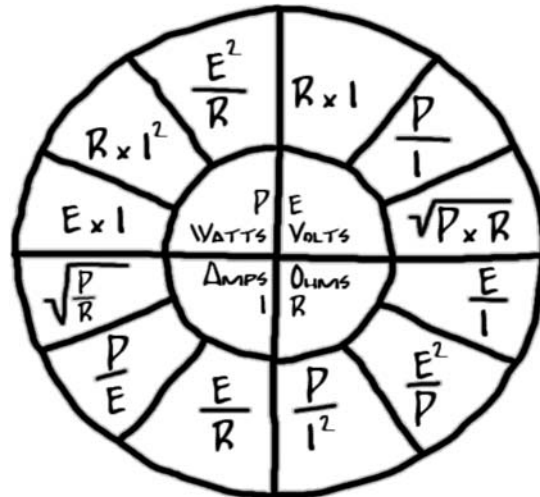
- E is the electrical potential (voltage), measured in volts (V)
- I is the current, measured in Amperes (Amps/A)
- R is the resistance, measured in Ohms (Ω)

Joule's Law states that:

$$P = E \times I$$

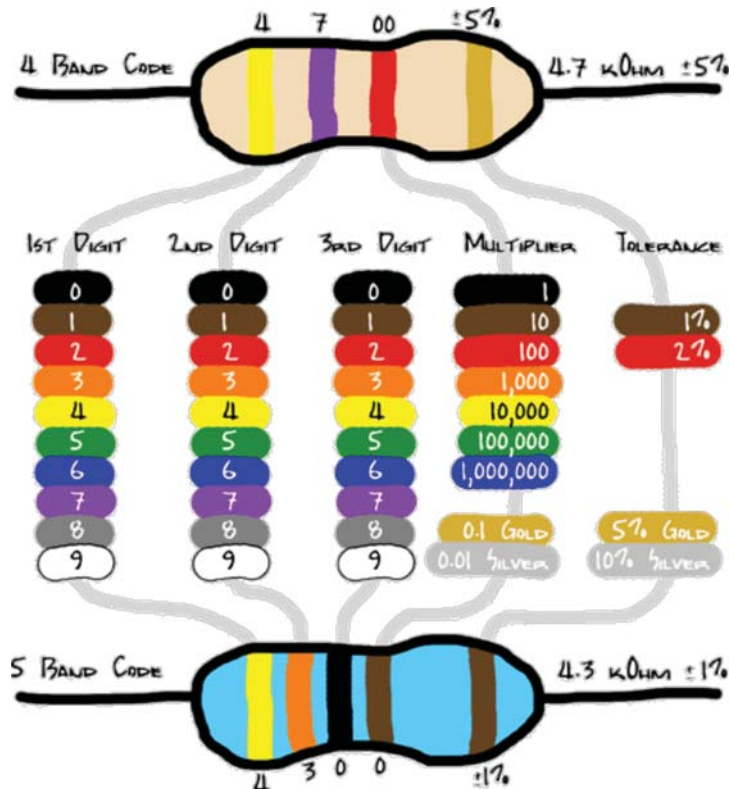
Where:

- P is Power, measured in Watts
- E is the electrical potential (voltage), measured in volts (V)
- I is the current, measured in Amperes (Amps/A)



The combination of Ohm's law and Joule's law gives us 12 formulas where 2 of the 4 variables are known. The wheel below is a handy tool and memory jogger. To use it, simply choose the quadrant corresponding to the variable you want to calculate, then select the segment corresponding to the variables that you know the values of.

RESISTOR COLOR CHART



©ACOT500®

CLEANAIR TREATMENT

Refreshing and deodorising, ACOT500's Cleanair Treatment is the ultimate air conditioning disinfectant. It effectively neutralises unwanted smells while eradicating bacteria, germs, mould and fungus.

- Effectively refreshes stale, musty air conditioning and heating systems
- Helps provide a clean and healthy environment in just one application
- Scientifically formulated to reduce airborne malodour by neutralising as well as deodorising
- Kills bacteria and germs, and eradicates mould and fungus
- Fine mist spray easily travels through entire air conditioning system including vents, filters, compressors and hoses
- Can be used on automotive, industrial, residential, evaporative and reverse cycle systems



PART NO.	DESCRIPTION
CT500ML	500ml Cleanair Treatment Aerosol Disinfectant Spray

DIRECTIONS FOR USE (AUTOMOTIVE)

1. Shake well before use.
2. Place vehicle transmission into neutral or park and ensure handbrake is activated.
3. Run engine and engage air conditioning system with fan speed set on high.
4. Set air conditioning system to fresh air or external air circulation mode.
5. Remove all filters.
6. Close car windows and doors. Locate AC system air intake at base of windshield wiper or at the firewall inside the engine compartment.
7. Spray and discharge product into all air intake vents. Suggested application for most circumstances is 1/3 of a can.
8. Switch air conditioning system to heating (if applicable) and repeat the discharge of product into all air intake vents, taking care to avoid inhalation of the product.
9. Misting may appear in the cabin and this is normal.
10. Fragrance remains for a day or two and will subside indicating that the system has been treated.

NOTE: Do not remain in enclosed space following discharge and avoid excessive inhalation of product.

WIRING DIAGRAMS

7 PIN SMALL ROUND

PIN No.	CIRCUIT	COLOUR
1	Left-hand turn	Yellow
2	Reversing signal	Black
3	Earth return	White
4	Right-hand turn	Green
5	Service brakes	Blue
6	Stop lamps	Red
7	Rear lamps, clearance & side marker lamps	Brown



*Cable entry view

7 PIN HEAVY DUTY ROUND

PIN No.	CIRCUIT	COLOUR
1 (31)	Earth Return	White
2 (58L)	Left-hand rear, clearance & marker	Black
3 (L)	Left-hand turn	Yellow
4 (54)	Stop lamps	Red
5 (R)	Right-hand turn	Green
6 (58R)	Right-hand rear, clearance & marker	Brown
7 (Centre)	Reversing/Auxiliary	Blue



*Cable entry view

6 PIN SMALL ROUND

PIN No.	CIRCUIT	COLOUR
1	Rear lamps, clearance & side marker lamps	Brown
2	Left-hand turn	Yellow
3	Right-hand turn	Green
4	Stop lamps	Red
5	Service brakes	Blue
6	Earth return	White



*Cable entry view

7 PIN EBS ROUND

PIN No.	CIRCUIT	CABLE SIZE	ABS	EBS	COLOUR
1	Solenoid control valves (Pos+)	4.0mm ²			Red
2	Electronics (Pos+)	1.5mm ²			Black
3	Electronics (Neg-)	1.5mm ²			Yellow
4	Solenoid control valves (Neg-)	4.0mm ²			Brown
5	Warning device	1.5mm ²			White
*6	CAN bus (high)	1.5mm ²			White/Green
*7	CAN bus (low)	1.5mm ²			White/Brown



*Cable entry view

12 PIN FLAT

PIN No.	CIRCUIT	COLOUR
1	Left-hand turn	Yellow
2	Reversing signal	Black
3	Earth return	White
4	Right-hand turn	Green
5	Service brakes	Blue
6	Stop lamps	Red
7	Rear lamps, clearance & side marker lamps	Brown
8	Battery charger/winch	Orange
9	Auxiliaries/battery lead	Pink
10	Earth return	White
11	Rear fog lamp	Grey
12	Auxiliaries	Violet



12 Pin Plug



12 Pin Socket

*Cable entry view

13 PIN ROUND

PIN No.	CIRCUIT	COLOUR
1	Left-hand turn	Yellow
2	Rear Fog Light	Blue
3	Ground (Pins 1 to 8)	White
4	Right-hand turn	Green
5	Rear Lamps (R), Clearance & Side Marker Lamps	Brown
6	Stop Lamps	Red
7	Rear Lamps (L), Clearance & Side Marker Lamps	Black
8	Reversing Signal	Pink
9	Power Supply (Bat.+)	Orange
10	Power Supply (Ign.+)	Grey
*11	Ground (Pin 10)	White/Black
12	Spare	White
*13	Ground (Pin 9)	White/Red



*Cable entry view

7 PIN FLAT

PIN No.	CIRCUIT	COLOUR
1	Left-hand turn	Yellow
2	Reversing signal	Black
3	Earth return	White
4	Right-hand turn	Green
5	Service brakes	Blue
6	Stop lamps	Red
7	Rear lamps, clearance & side marker lamps	Brown



7 Pin Plug



7 Pin Socket

*Cable entry view

15 PIN HEAVY DUTY ROUND

PIN No.	CIRCUIT	COLOUR
1	Left-hand turn	Yellow
2	Right-hand turn	Green
3	Rear Fog Light	Blue
4	Ground (Pins 1-3, 5-12)	White
5	Rear Lamps (L), Clearance & Side Marker Lamps	Black
6	Rear Lamps (R), Clearance & Side Marker Lamps	Brown
7	Stop Lamps	Red
8	Reversing Signal	Pink
9	Power Supply (Bat.+)	Orange
10	Brake Pad Sensor	Grey
11	Spring Loaded Brake Display	White/Black
12	Axle Lift	White/Blue
13	Ground (Pins 14 & 15)	White/Red
14	CAN Bus (High)	White/Green
15	CAN Bus (Low)	White/Brown



*Cable entry view

7 PIN LARGE ROUND

PIN No.	CIRCUIT	COLOUR
1	Left-hand turn	Yellow
2	Reversing signal	Black
3	Earth return	White
4	Right-hand turn	Green
5	Service brakes	Blue
6	Stop lamps	Red
7	Rear lamps, clearance & side marker lamps	Brown



*Cable entry view

5 PIN LARGE ROUND

PIN No.	CIRCUIT	COLOUR
2	Left-hand turn	Yellow
3	Earth return	White
5	Right-hand turn	Green
6	Stop lamps	Red
7	Rear lamps, clearance & side marker lamps	Brown



*Cable entry view

Telephone numbers

+61 (0) 8 9295 6888

Fax numbers

+61 (0) 8 9295 0628

HEAD OFFICE

64 Wandeara Crescent
Mundaring
Western Australia
6073

www.acot500.com



EMERGENCY



MINING



UTILITY