



# OBSTRUCTION LIGHTS MEDIUM INTENSITY LED

LMIAC TYPE A & C – WHITE FLASH AND RED STEADY BURNING



## 01. DESCRIPTION

The LEDEOMIAC is a white light and red light with the multi-LEDs technology. Dedicated to a day and night beaconing, it is a long life system (100 000 hours), very strong with a low consumption (<50w in 20 fpm). Photocell and dry contact can be provided either in the light or deported in a system of control (Safety power supply, control panel). Moreover, it can be solar power supplied. It has been designed for an easy installation.

## 02. ADVANTAGES

- Integrated synchronization wired, optical fiber, GPS and TCPIP available
- Long life time > 10 years
- Multi-LEDs
- Low consumption < 90W
- Delta Box exclusive self-test included with photocell
- No maintenance
- 2 years warranty
- Zamac box with epoxy power painting
- IP66

## 03. APPLICATIONS

Rules concerning aircraft beaconing are established by the ICAO (Annex 14, Chapter 6). Medium Intensity lights can be installed on structures from 45 to 150 meters tall, with an intermediary level of marking. According to the rules, an uninterruptible power supply cabinet has to be installed to assure 12 hours of beaconing in case of power supply failure.

## 04. MODELS

REFERENCE	VOLTAGE	PHOTOCELL	DRY CONTACT
LMIAC00BB*	48V DC	Not included	Not included
LMIAC11BB	48V DC	Included	Included
LMIAC00MB*	110-240V AC	Not included	Not included
LMIAC11MB	110-240V AC	Included	Included

\*to be installed with the Safebox or a solar power supply or a GPS



### REGULATIONS

- OACI, STAC N° 2010A022 / 2013A045
- CE
- FAA Compliant L-864 / L-865

### SCOPE OF APPLICATIONS



## 05. CHARACTERISTICS

### LUMINOUS

Luminous source	LEDS
Color	White flashing (Day) Red steady burning (Night)
Horizontal beam	360°
Vertical beam	3°
Luminous intensity	20 000 Cd (Day, White) 2 000 Cd (Night, Red)
Flash frequency	20 to 60 fpm
MTBF	100 000 hours

### ELECTRICAL

Voltage	48V DC / 110-240V AC
Functioning temperature	-20°C to +55°C
Consumption	< 50 Watts @ 20 fpm
Current I <sub>max</sub> (day mode)	To 48V : I = 4 400mA To 230V : I < 1 000mA
Current I <sub>max</sub> (night mode)	To 48V : I = 1 400mA To 230V : I < 350mA
Protection class	IP66

### MECHANICAL

Box material	Zamac
Body lamp material	Aluminium
Lens material	Polycarbonate
Mounting	M8 screw (not included)
Height	410mm
Width	410mm
Weight	18 Kg

### ENVIRONMENTAL

Humidity	100%
Frost	-60°C
Wind speed	240 Km/h

### CERTIFICATIONS

CE	EN60947-1 CEI60364, NF C15-100 2014 / 35 / UE
ICAO	Annex 14, Volume I, Chapter 6
FAA	Compliant L-864 / L-865
Quality	ISO 9001 ; 2008

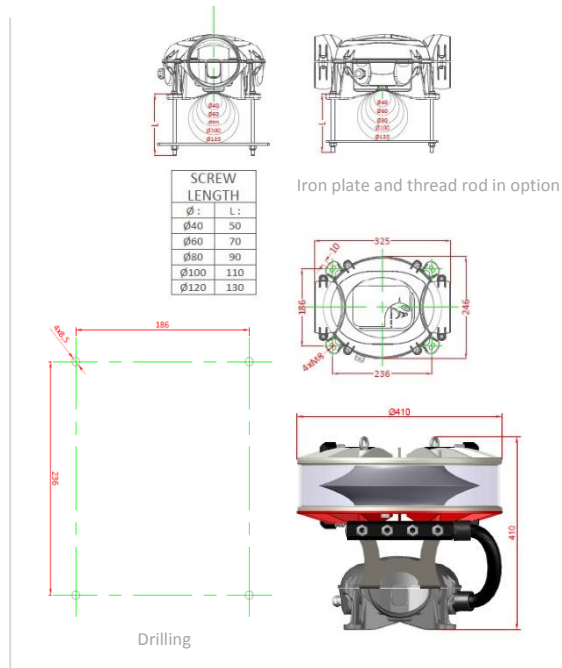
### WARRANTY

Warranty period	2 years
-----------------	---------

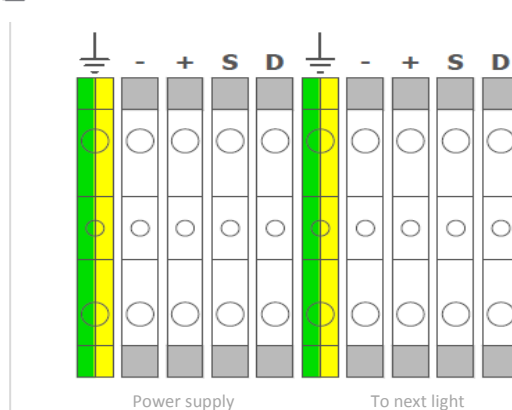
### OPTIONS

Photocell	✓
Dry contact for failure alarm	✓

## + DIMENSIONS



## + WIRING



## + AVAILABLE ACCESSORIES FOR INSTALLATION

- Power supply
- UPS System
- Solar kit
- Iron plate and thread rod