

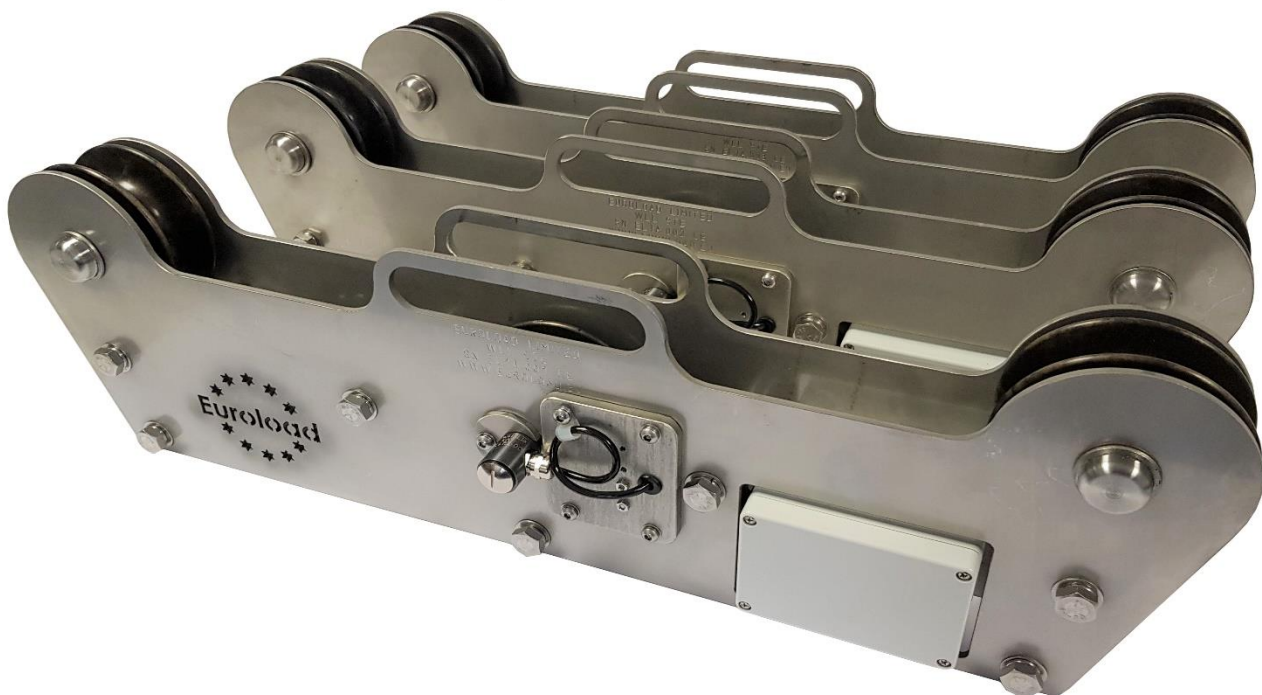


---

**Footprint Diagrams & Options**  
For Model 1A to Model 8E Dynamometers  
New Stainless-steel model with  
quick release wheel

Euroload Limited are very proud to introduce our newly designed RLM's with all the below added benefits and features.

1. Fully stainless-steel construction, Steel zinc passivated sheaves. Option for stainless sheaves.
2. IP68 down hole strain gauged load pin.
3. IP67 Euroload manufactured read switches.
4. Quick release main sheave wheels c/w lynch pins.
5. Installation on wire in under 1 minute.
6. No tools required to remove wheels and install wire.
7. Maintenance free sealed bearings.
8. Designed for quick/simple installation saving hours per operation.
9. Multiple sheaves available for each range of RLM fully calibrated to each sheave size.
10. Fitted with our well proven ELT24 telemetry electronics as standard. Data log multiple RLM's in one area via one PC.
11. Options for mounting include, prop shaft mount, chain mount (4 off eye bolts), foot mount. The Euroload RLM has also been designed to accept web slings for hanging the unit via its carry handles.



---

## Table of Contents

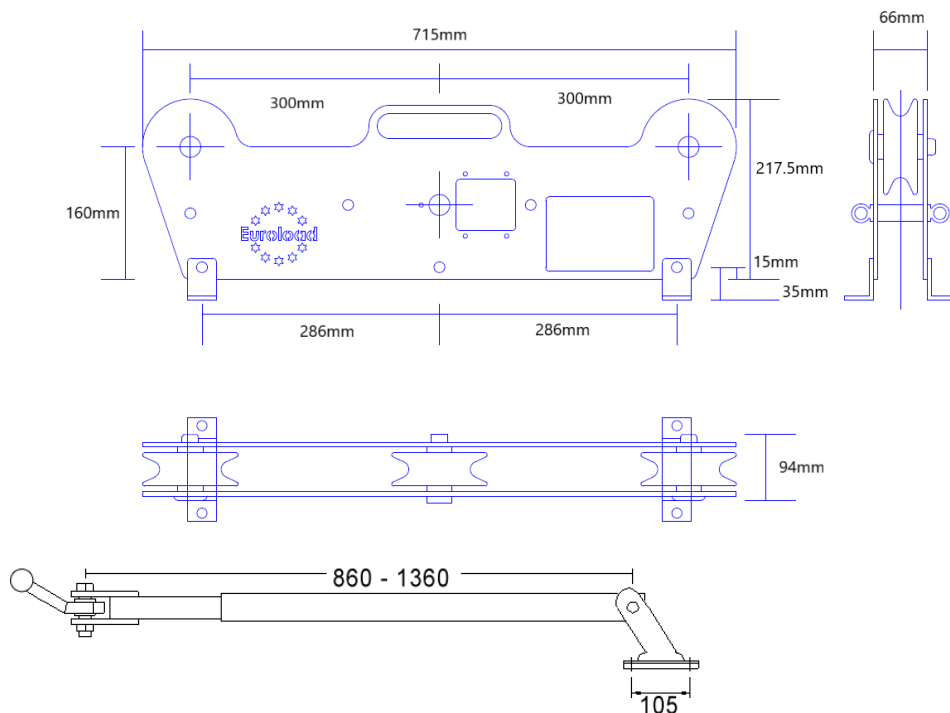
Model 1A Dynamometer.....	4
Cable and Display Options	5
Model 2B Dynamometer.....	6
Model 3C Dynamometer .....	7
Model 4D Dynamometer .....	8
Model 8E Dynamometer.....	9
Mounting Information.....	...10
Contact Information .....	11



---

## Model 1 A Dynamometer

The Model 1 Dynamometer can measure up to 9 tons of cable tension. And can be fitted in many ways.



Sheave sizes 8mm, 10mm, 13mm, 16mm 19mm, 22mm, 24mm and 25mm

Note. You can buy 1 off RLM complete and 5 extra sets of wheels to cover all wire sizes. When changing wheels over you need to recalibrate the unit against the correct wire size.

### Possible mounts

Standard foot mount  
Prop shaft/Swivel Mount  
Hook and Chain Mount

### Options for cables;

Cables can be supplied in any length to suit your requirements; 10 meters of cable is supplied as standard.

### Readout options include;

### Mains driven Load and Payout:

EL-RLM-SS mains driven display showing load and payout. As standard for a single RLM but panels for multiple RLM's are available on request.

### Telemetry options:

Full telemetry version now available for 2018. Remote datalogging via PC also available.

### Hazardous area zone 2:

A hazardous area zone 2 RLM readout system is available. Heavy duty, detachable cable, mains driven safe area power supply.



**EL-RLM-SS Heavy Duty Mains Driven Stainless steel panel showing load, payout and speed.**

**Alarm relays, analogue output, RS 485 output as standard. IP66 overall protection. Datalogging package available.**



**NEW 2019. Telemetry RLM c/w remote readout for reading load, payout and speed. Laptop c/w USB receiver available.**



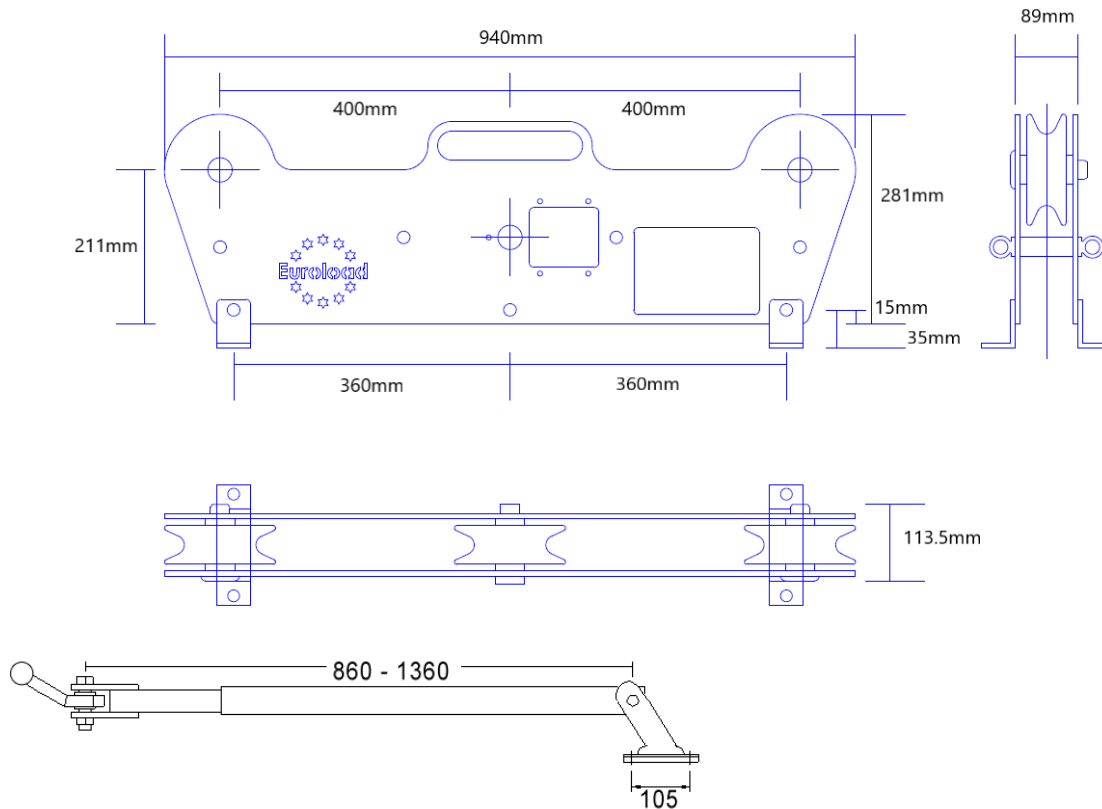
**Zone 2. Hazardous area cable based RLM. Heavy duty stainless steel enclosure housing Beka zone 1 digital indicators. Load and payout. Safe area power supply.**



---

## Model 3 Dynamometer

The Model 3 Dynamometer can measure up to 45 tons of cable tension



### ***Sheave sizes***

30mm, 32mm, 35mm, 38mm and 40mm

***Note. You can buy 1 off RLM complete and 3 extra sets of wheels to cover all wire sizes. When changing wheels over you need to recalibrate the unit against the correct wire size.***

### ***Possible mounts***

- Standard foot mount
- Prop shaft/Swivel Mount
- Hook and Chain Mount





---

## Model 8 Dynamometer

The model 8 dynamometer is a variable size

1 Metre  
1½ Metre

Drawing available on request.

The size is determined by the line pull and so the bearings required.

Propshafts

Roller Sets are individually priced.

### *Sheave sizes*

52mm ~ 100mm +

### *Possible mounts*

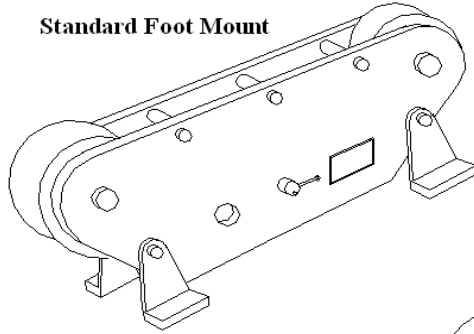
Standard foot mount  
Prop shaft/Swivel Mount  
Hook and Chain Mount



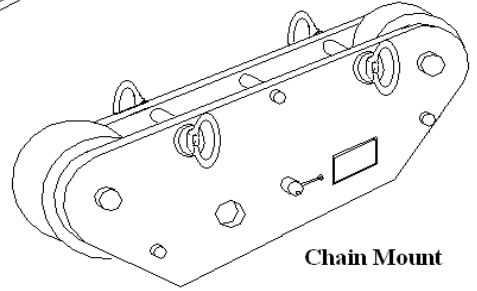
---

## Mounting Information

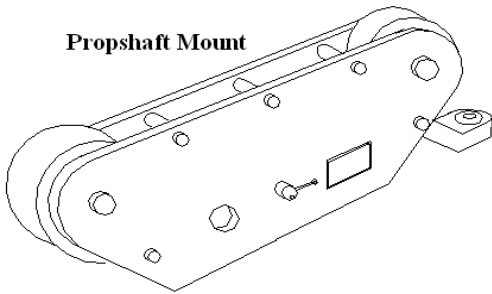
Standard Foot Mount



Chain Mount



Propshaft Mount



---

## Contact Information

The information displayed in this data sheet has been written to the highest standard. While we have tried our best to make sure the information is as descriptive as possible. There may be information that is omitted or missing. If this is the case, then feel free to contact us regarding any information on this product.

### United Kingdom

## Euroload Limited

Unit 9, Airside Business Park, Dyce drive,

Kirkhill Industrial Estate, Dyce,

Aberdeen, Scotland, AB21 0GT

Tel: +44 1224 774115 e mail: [Info@euroload.eu](mailto:Info@euroload.eu) Web site: [www.euroload.eu](http://www.euroload.eu)

Visit our web site to find a distributor in your region.

