



Footprint Diagrams & Options
For Model 1 to Model 8 Dynamometers

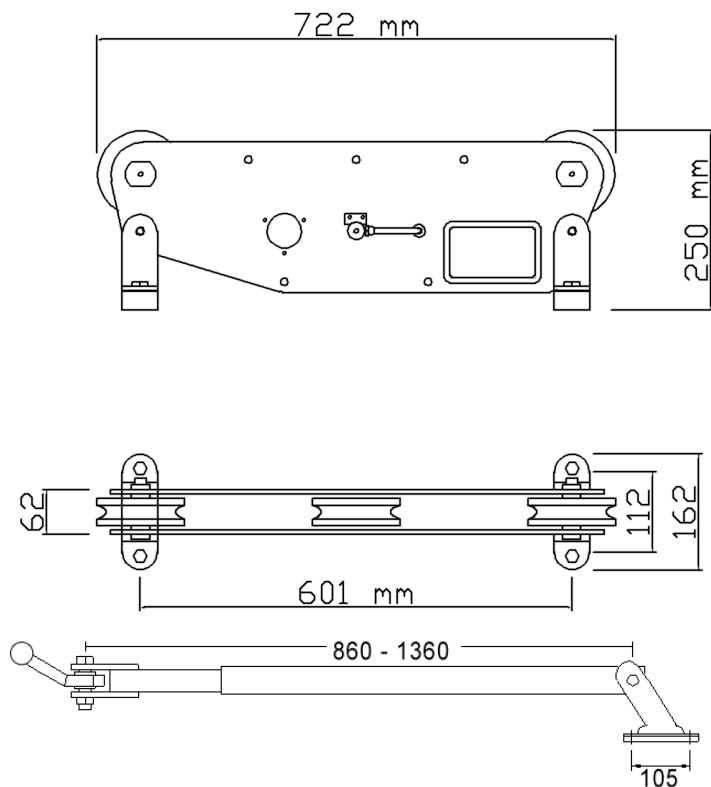
Table of Contents

Model 1 Dynamometer	3
Cable and Display Options	4
Model 2 Dynamometer	5
Model 3 Dynamometer	6
Model 4 Dynamometer	7
Model 8 Dynamometer	8
Mounting Information.....	...9
Contact Information	10



Model 1 Dynamometer

The Model 1 Dynamometer can measure up to 9 tons of cable tension. And can be fitted in many ways.



Sheave sizes 10mm, 13mm, 16mm 19mm, 22mm and 25mm

Note. You can buy 1 off RLM complete and 5 extra sets of wheels to cover all wire sizes. When changing wheels over you need to recalibrate the unit against the correct wire size.

Possible mounts

Standard foot mount (supplied with unit), Crossbar Mount
Prop shaft/Swivel Mount
Hook and Chain Mount

Options for cables;

Cables can be supplied in any length to suit your requirements; 10 meters of cable is supplied as standard.

Readout options include;

Mains driven Load and Payout:

EL-RLM-SS mains driven display showing load and payout. As standard for a single RLM but panels for multiple RLM's are available on request.

Telemetry options:

Full telemetry version now available for 2018. Remote datalogging via PC also available.

Hazardous area zone 2:

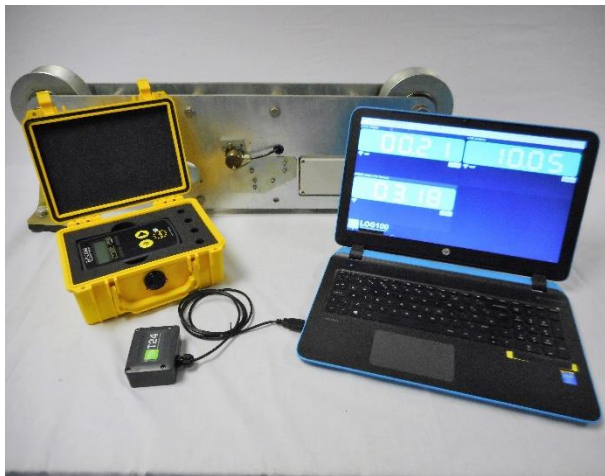
A hazardous area zone 2 RLM readout system is available. Heavy duty, detachable cable, mains driven safe area power supply.



EL-RLM-SS Heavy Duty Mains Driven Stainless steel panel showing load, pay out and speed.

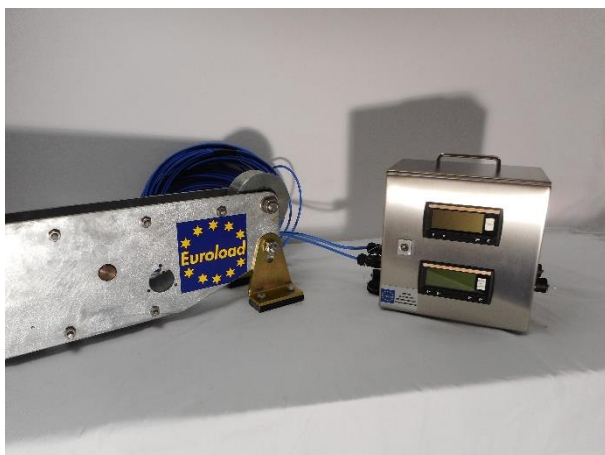
Alarm relays, analogue output, RS 485 output as standard. IP66 overall protection.

Datalogging package available.



NEW 2018. Telemetry RLM c/w remote readout for reading load, payout and speed.

Laptop c/w USB receiver available.



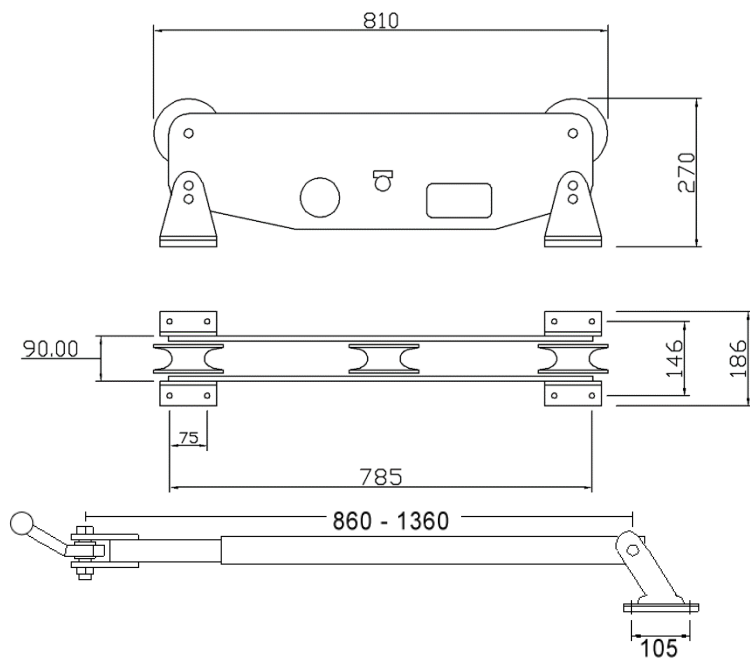
Zone 2. Hazardous area cable based RLM.

Heavy duty stainless steel enclosure housing Beka zone 1 digital indicators.

Load and payout. Safe area power supply.

Model 2 Dynamometer

The Model 2 Dynamometer can measure up to 22 tons of cable tension



Sheave sizes

19mm, 22mm, 25mm and 28mm

Note. You can buy 1 off RLM complete and 2 extra sets of wheels to cover all wire sizes. When changing wheels over you need to recalibrate the unit against the correct wire size.

Possible mounts

Standard foot mount (supplied with unit)

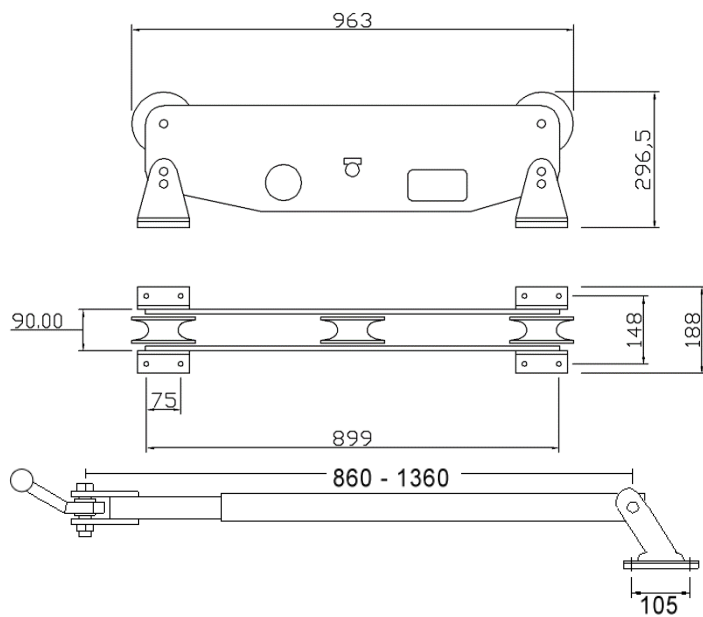
Crossbar Mount

Prop shaft/Swivel Mount

Hook and Chain Mount

Model 3 Dynamometer

The Model 3 Dynamometer can measure up to 45 tons of cable tension



Sheave sizes

32mm, 35mm, 38mm and 40mm

Note. You can buy 1 off RLM complete and 3 extra sets of wheels to cover all wire sizes. When changing wheels over you need to recalibrate the unit against the correct wire size.

Possible mounts

Standard foot mount (supplied with unit)

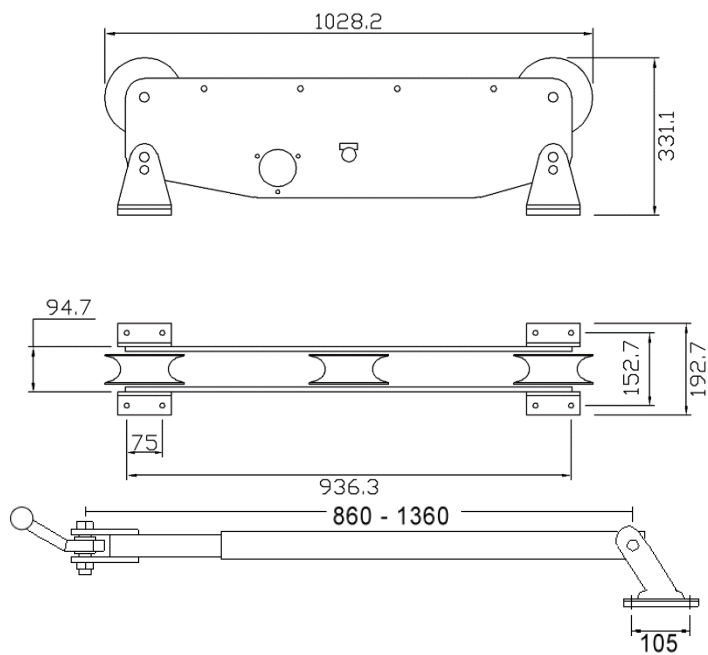
Crossbar Mount

Prop shaft/Swivel Mount

Hook and Chain Mount

Model 4 Dynamometer

The Model 4 Dynamometer can measure up to 60 tons of cable tension



Sheave sizes

42mm, 44mm and 48mm

Note. You can buy 1 off RLM complete and 2 extra sets of wheels to cover all wire sizes. When changing wheels over you need to recalibrate the unit against the correct wire size.

Possible mounts

Standard foot mount (supplied with unit)

Crossbar Mount

Prop shaft/Swivel Mount

Hook and Chain Mount

Model 8 Dynamometer

The model 8 dynamometer is a variable size

1 Metre

1½ Metre

Drawing available on request.

The size is determined by the line pull and so the bearings required.

Propshafts

Roller Sets are individually priced.

Sheave sizes

52mm ~ 100mm +

Possible mounts

Standard foot mount (supplied with unit)

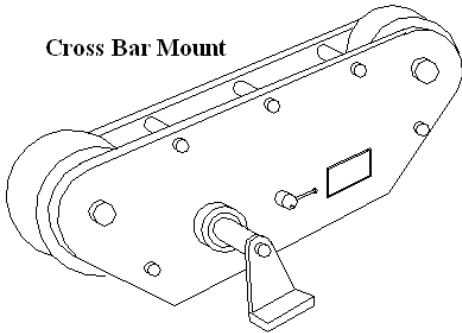
Crossbar Mount

Prop shaft/Swivel Mount

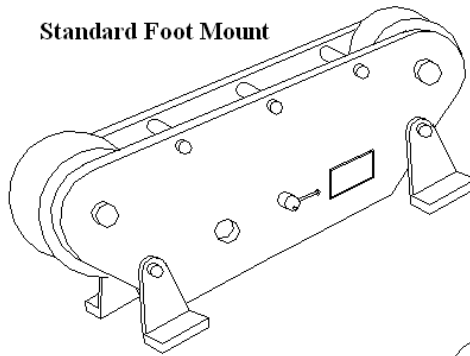
Hook and Chain Mount

Mounting Information

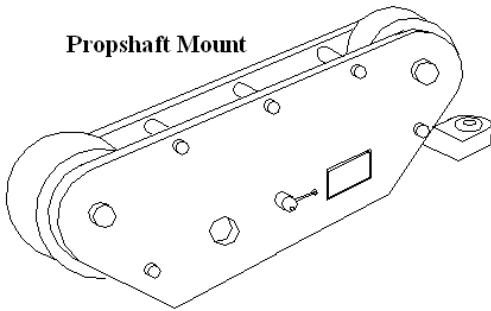
Cross Bar Mount



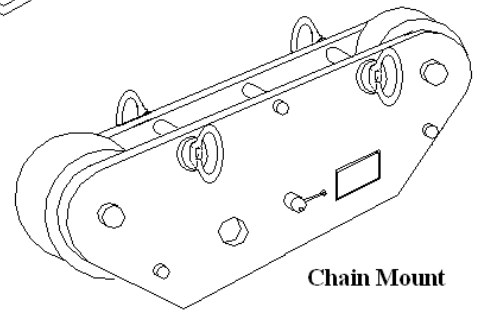
Standard Foot Mount



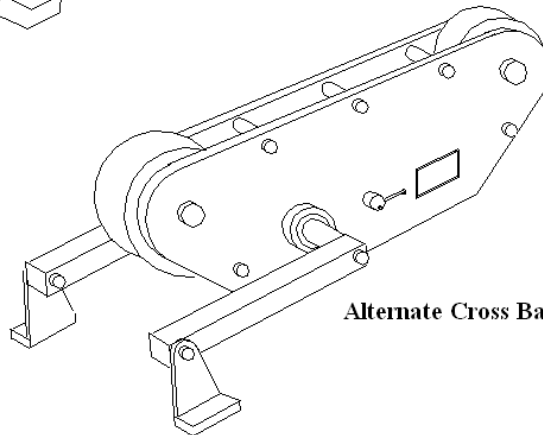
Propshaft Mount



Chain Mount



Alternate Cross Bar Mount



Contact Information

The information displayed in this data sheet has been written to the highest standard. While we have tried our best to make sure the information is as descriptive as possible. There may be information that is omitted or missing. If this is the case, then feel free to contact us regarding any information on this product.

United Kingdom

Euroload Limited

Unit 9, Airside Business Park, Dyce drive,

Kirkhill Industrial Estate, Dyce,

Aberdeen, Scotland, AB21 0GT

Tel: +44 1224 774115 e mail: Info@euroload.eu Web site: www.euroload.eu

Visit our web site to find a distributor in your region.

