

SUSTAINABLE BUSINESS  
INNOVATION



VISION EVOLUTION is a dynamic, on-board weighing system for earthmoving and logistical vehicles. Using the latest technology available, the electronic circuits and the visual shape have been upgraded offering the 'best of breed' on the market for design and functionality. The user benefits are a precise and reliable on-board dynamic weighing device during loading operations. The compact central unit offers a large colour graphics display for real-time viewing of data, a user friendly icon menu and navigation wheel system with a central confirmation button for browsing through menus. With the aid of pressure and position sensors, the electronics provides complex functions for the real-time display of partial and total weight and weight counts, without operator intervention and it is possible to weigh the load during lifting, without having to stop operations. It allows data export and transmission as well as the printing of data to ensure continuous updating and management of loading activities. Connection to an external camera is a valuable aid during vehicle manoeuvring operations, and guarantees greater safety with the advantage of using a single display.



### ADVANTAGES

- Dynamic weighing
- Large colour display
- Icon based menu
- Navigation wheel
- Various interfaces
- External camera
- Reusable system

### FUNCTIONS

- Colour display with partial weight, total weight, number of weighs, client name or code, operator and material
- Management of vehicle plates, haulier, destination and purpose of transport
- Management of last bucket
- Large colour display with self-explanatory icons for ease of use
- Transfer of data to mobile memory for connection to PC
- Data printout on different types of printer

### TECHNICAL DATA

Power supply	10÷30 Vdc
Working temperature	-20°÷+70° C
Display	Graphic colour LCD
Serial port	RS-232/C + 1 auxiliary
Resolution	1÷100 Kg
Dimensions	160x210x86 mm
Protection level	IP65
Optional	Paper roll or ticket printer
	Software data transfer to PC
	Memory Card
	Transmission data
	External camera



Paper roll printer >



Outset tracking data ^



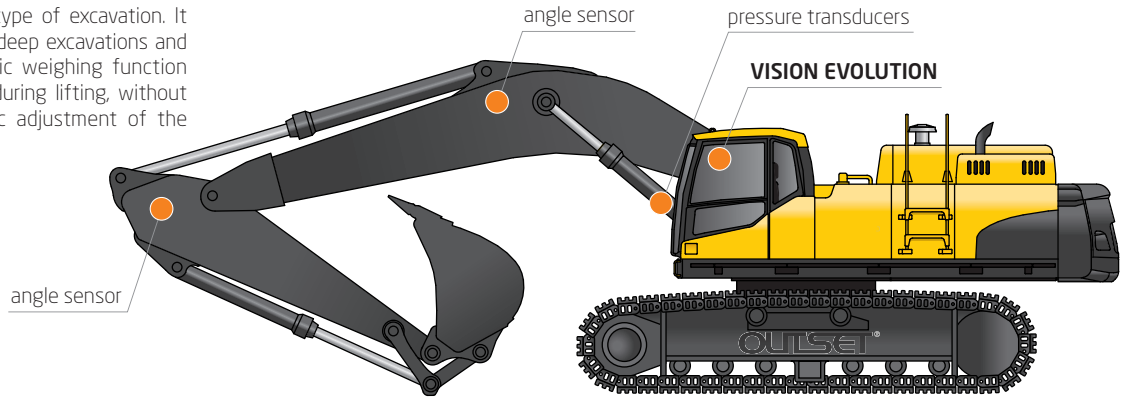
Transmission data cable RS232 ^



Crane Safety Products

## VISION EVOLUTION ON EXCAVATOR

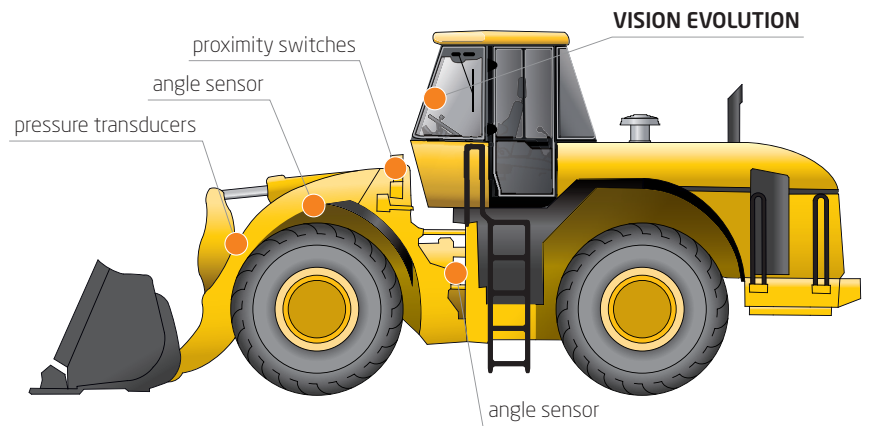
VISION EVOLUTION is ideal in every type of excavation. It automatically checks the load both in deep excavations and ground level excavations. The dynamic weighing function makes it possible to weigh the load during lifting, without having to stop operations. Automatic adjustment of the weighing height.



Accuracy:  $0 \div 3\%$

## VISION EVOLUTION ON WHEEL LOADER

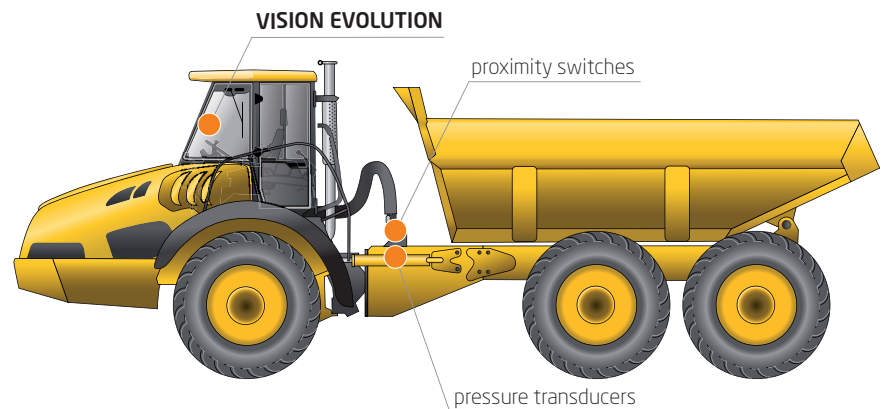
VISION EVOLUTION, on front loaders, is a typical application in building yards and quarries where the weighing is required, both for economic payload calculation of the loaded material and for optimizing the load on different vehicles. It is also possible to split up the unloading of the last bucket by checking the load limits present in the instrument. All the weighing data can be confirmed to a third party by adding the optional printer. The dynamic weighing is carried out during the movements of the vehicle without stopping the lifting operation.



Accuracy:  $0 \div 1\%$

## VISION EVOLUTION ON ARTICULATED DUMP TRUCK

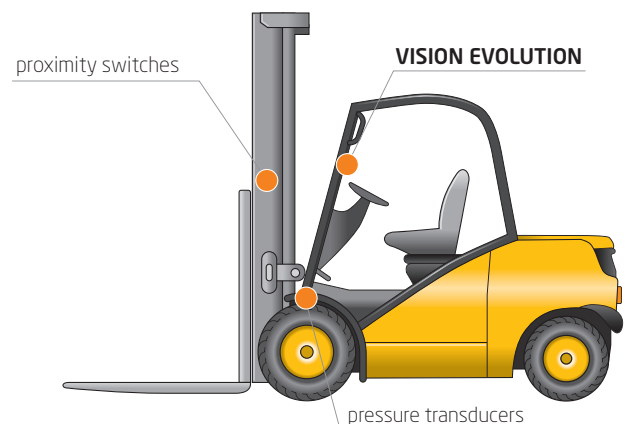
VISION EVOLUTION allows to optimize the loading knowing the exact weight of material, reducing the loading process times. It offers the possibility to know the productivity of the vehicle with important economic advantages. The weighing data can be transferred on different types of printer and the weighing memorization is automatic with every emptying of the load. It's also important the march safety, which is ensured by the possibility to install a rear camera for the reverse, always using the Vision Evolution display.



Accuracy:  $0 \div 3\%$

## VISION EVOLUTION ON FORK-LIFT TRUCK

VISION EVOLUTION on fork-lift trucks is an ideal weighing solution during the loading process such as packing-list on storage and stock control. It provides economic weight calculations of the materials, optimization of the means of transport stowage, the storage of materials or to define pallets stack. The system can be integrated with remote data input terminal. The dynamic weighing is carried out during the movements of the vehicle, without stopping the forks.



Accuracy:  $0 \div 1\%$