

Be Off The Grid com Inc.

"Commercial LED Lighting Products"

Be Off The
Grid com
Inc.

JANUARY

2021

INDOOR – OUTDOOR
COMMERCIAL LED Luminaries - Catalog
Outdoor Series

Be Off The Grid com Inc.

"Commercial LED Lighting Products"

2021

LED

LED Luminaries -Outdoor Series
CATALOG

COMPANY PROFILE

Established in 2009

Business Type: Commercial LED Lighting Products

Manufacturing: China: quarters, factories

Capacity: Greater than 30 million units per year

Major Business: 90%+ USA & Canada Factory Certificate: ISO 9001

Product Certificate: UL/cUL, ETL/cETL, Energy Star, DLC, FCC

Contact: Be Off The Grid com Inc.

Shawnee on Delaware PA 18356-0256

Email: Info@beoffthegrid.com

Website: <http://www.beoffthegrid.com>

CONTENTS

LED Luminaries -Outdoor Series

LED Wall Pack	4-6
LED Flood Light	7
LED Flood (Parking lot) Light	8
LED Canopy.....	9
LED Vapor Tight Fixture	10
LED High Bay.....	11-12

LED Luminaries -Indoor Series

LED Flat Panel(Driver Inbuilt)	14
LED Troffer Retrofit	15
LED Troffer Fixture	16
LED Puff Light.....	17
LED Shop Light	18
LED Wraparound Fixture	19
LED Strip Light Fixture	20
LED Linear High Bay Fixture.....	21

LED Luminaries -Outdoor Series

- LED Wall Pack LED Canopy LED Flood Light
- LED Flood (Parking lot) Light LED Vapor Tight Fixture
- LED High Bay



Be Off The Grid com Inc.

"Commercial LED Lighting Products"



LED Flood Light

Type A 18w



Model#: HDS-BL-WP03A-18W-277-XX
 18W LED Wall Pack Light
 Power 18W
 Lumens: 2000 lm
 Size: 9.2"L x 6" W x 3.6" H
 Non Full Cutoff
 Housing: Die Casting Aluminum
 Lens: PC
 Photocell: (Optional)
 Voltage Input: 100-277 AC

Type A 26w



Model#: HDS-BL-WP03A-26W-277-XX
 26W LED Wall Pack Light
 Power 26W
 Lumens: 2860 lm
 Size: 9.2"L x 6" W x 3.6" H
 Non Full Cutoff
 Housing: Die Casting Aluminum
 Lens: PC
 Photocell: (Optional)
 Voltage Input: 100-277 AC

Type B 48w



Model#: HDS-BL-WP03A-48W-277-XX
 48W LED Wall Pack Light
 Power 48W
 Lumens: 5280 lm
 Size: 14.2"L x 7.4" W x 9.3" H
 Non Full Cutoff (Typical)
 Full Cutoff (optional)
 Housing: Die Casting Aluminum
 Lens: PC
 Photocell: (Optional)
 Voltage Input: 100-277 AC

Type B 60W



Model#: HDS-BL-WP03A-48W-277-XX
 48W LED Wall Pack Light
 Power 48W
 Lumens: 5280 lm
 Size: 14.2"L x 7.4" W x 9.3" H
 Non Full Cutoff (Typical)
 Full Cutoff (optional)
 Housing: Die Casting Aluminum
 Lens: PC
 Photocell: (Optional)
 Voltage Input: 100-277 AC

Type B 60W(480V)



Model#: HDS-BL-WP03A-60W-277-XX
 60W LED Wall Pack Light
 Power 60W
 Lumens: 6600 lm
 Size: 14.2"L x 7.4"W x 9.3"H
 Non Full Cutoff (Typical)
 Full Cutoff (optional)
 Housing: Die Casting Aluminum
 Lens: PC
 Photocell: (Optional)
 Voltage Input: 100-277 AC

Type B 80W



Model#: HDS-BL-WP03A-60W-277-XX
 60W LED Wall Pack Light
 Power 60W
 Lumens: 6600 lm
 Size: 14.2"L x 7.4"W x 9.3"H
 Non Full Cutoff (Typical)
 Full Cutoff (optional)
 Housing: Die Casting Aluminum
 Lens: PC
 Photocell: (Optional)
 Voltage Input: 100-277 AC

Type B 100W



Model#: HDS-BL-WP03A-100W-277-XX
 100W LED Wall Pack Light
 Power 100W
 Lumens: 11000 lm
 Size: 14.2"L x 7.4"W x 9.3"H
 Non Full Cutoff (Typical)
 Full Cutoff (optional)
 Housing: Die Casting Aluminum
 Lens: PC
 Photocell: (Optional)
 Voltage Input: 100-277 AC

Type B 90W



Model#: HDS-BL-WP03B-90W-277-XX
 90W LED Wall Pack Light
 Power 90W
 Lumens: 9900 lm
 Size: 18.2"L x 8.7"W x 9.8"H
 Non Full Cutoff (Typical)
 Full Cutoff (optional)
 Housing: Die Casting Aluminum
 Lens: PC
 Photocell: (Optional)
 Voltage Input: 100-277 AC

General Specification

CRI: Ra>70 CCT: 5000K (Typical) Application: Wet Location Installation: Surface Mount with J-box Warranty: 5 Years Certification: ETL/cETL, DLC

Be Off The Grid com Inc.

"Commercial LED Lighting Products"



Type B 90W(480V)

Model#: HDS-BL-WP03B-90W-480-XX
90W LED Wall Pack Light
Power 90W
Lumens: 9900 lm
Size: 18.2"L x 8.7"W x 9.8"H
Non Full Cutoff (Typical)
Full Cutoff (optional)
Housing: Die Casting Aluminum
Lens: PC
Photocell: (Optional)
Voltage Input: 277 – 480V AC



Type B 130W

Model#: HDS-BL-WP03B-130W-277-XX
130W LED Wall Pack Light
Power 130W
Lumens: 14300 lm
Size: 18.1"L x 8.7"W x 9.8"H
Non Full Cutoff (Typical)
Full Cutoff (optional)
Housing: Die Casting Aluminum
Lens: PC
Photocell: (Optional)
Voltage Input: 100 – 277V AC



Type B 130W(480V)

Model#: HDS-BL-WP03B-130W-480-XX
130W LED Wall Pack Light
Power 130W
Lumens: 14300 lm
Size: 18.1"L x 8.7"W x 9.8"H
Non Full Cutoff (Typical)
Full Cutoff (optional)
Housing: Die Casting Aluminum
Lens: PC
Photocell: (Optional)
Voltage Input: 277V-480 AC



Type C 60W

Model#: HDS-BL-WP03C-60W-277-XX
60W LED Wall Pack Light
Power 60W
Lumens: 6600 lm
Size: 14.2"L x 9.1"W x 11.8"H
Full Cutoff
Housing: Die Casting Aluminum
Lens: Tempered Glass
Photocell: (Optional)
Voltage Input: 100 -277V AC



Type C 90W

Model#: HDS-BL-WP03C-90W-277-XX
90W LED Wall Pack Light
Power 90W
Lumens: 9900 lm
Size: 14.2"L x 9.1"W x 11.8"H
Full Cutoff
Housing: Die Casting Aluminum
Lens: Tempered Glass
Photocell: (Optional)
Voltage Input: 100 -277V AC



Type C 130W

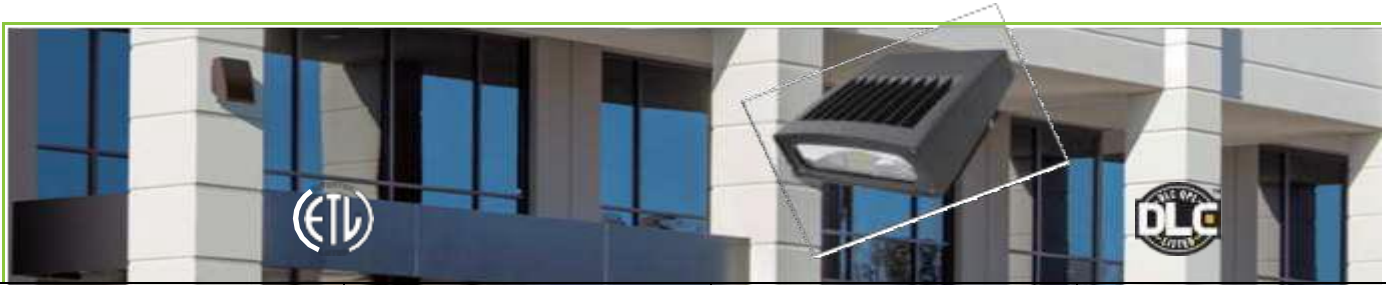
Model#: HDS-BL-WP03C-130W-277-XX
130W LED Wall Pack Light
Power 130W
Lumens: 14300 lm
Size: 14.2"L x 9.1"W x 11.8"H
Full Cutoff
Housing: Die Casting Aluminum
Lens: Tempered Glass
Photocell: (Optional)
Voltage Input: 100 -277V AC

General Specification

CRI: Ra>70 CCT: 5000K (Typical) Application: Wet Location Installation: Surface Mount With J-box Warranty: 5years Certification: ETL/cETL, DLC

Be Off The Grid com Inc.

"Commercial LED Lighting Products"



Type D 20W	Type D 30W	Type D 60W	Type D 80W
 <p>Photocell</p>	 <p>Photocell</p>	 <p>Photocell</p>	 <p>Photocell</p>
<p>Model#: HDS-BL-WP03D-20W-277-XX 20W LED Wall Pack Light Power: 20W Lumens: 2200 lm Size: 7.9" L x 6.6" W x 2.8" H Full Cutoff Housing: Die Casting Aluminum Lens: Tempered Glass Photocell (Optional) Voltage Input: 100-277V ac</p>	<p>Model#: HDS-BL-WP03D-30W-277-XX 30W LED Wall Pack Light Power: 30W Lumens: 3300 lm Size: 7.9" L x 6.6" W x 2.8" H Full Cutoff Housing: Die Casting Aluminum Lens: Tempered Glass Photocell (Optional) Voltage Input: 100-277V ac</p>	<p>Model#: HDS-BL-WP03D-60W-277-XX 60W LED Wall Pack Light Power: 60W Lumens: 6000 lm Size: 11.3" L x 9.5" W x 4.2" H Full Cutoff Housing: Die Casting Aluminum Lens: Tempered Glass Photocell (Optional) Voltage Input: 100-277V ac</p>	<p>Model#: HDS-BL-WP03D-80W-277-XX 80W LED Wall Pack Light Power: 80W Lumens: 8800 lm Size: 11.3" L x 9.5" W x 4.2" H Full Cutoff Housing: Die Casting Aluminum Lens: Tempered Glass Photocell (Optional) Voltage Input: 100-277V ac</p>



General Specification

CRI: Ra>70 CCT: 5000K (Typical) Application: Wet Location Installation: Surface Mount With J-box Warranty: 5years Certification: ETL/cETL, DLC

Be Off The Grid com Inc.

"Commercial LED Lighting Products"

30W



Model#: HDS-BL-FL30-30W-X
 30W LED Flood Light
 Power: 30W
 Lumens: 3300 lm
 Size: 7.3"L x 5.3" W x 3.8"H
 Beam Angle: 85 Degree
 Housing: Die Casting Aluminum
 Lens: Tempered Glass
 Voltage Input: 100-277V ac
 Installation: Type C/D/E

50W



Model#: HDS-BL-FL30-50W-X
 50W LED Flood Light
 Power: 50W
 Lumens: 5500 lm
 Size: 9.7"L x 6.9" W x 4.3"H
 Beam Angle: 98.5 Degree
 Housing: Die Casting Aluminum
 Lens: Tempered Glass
 Voltage Input: 100-277V ac
 Installation: Type C/D/E

100W

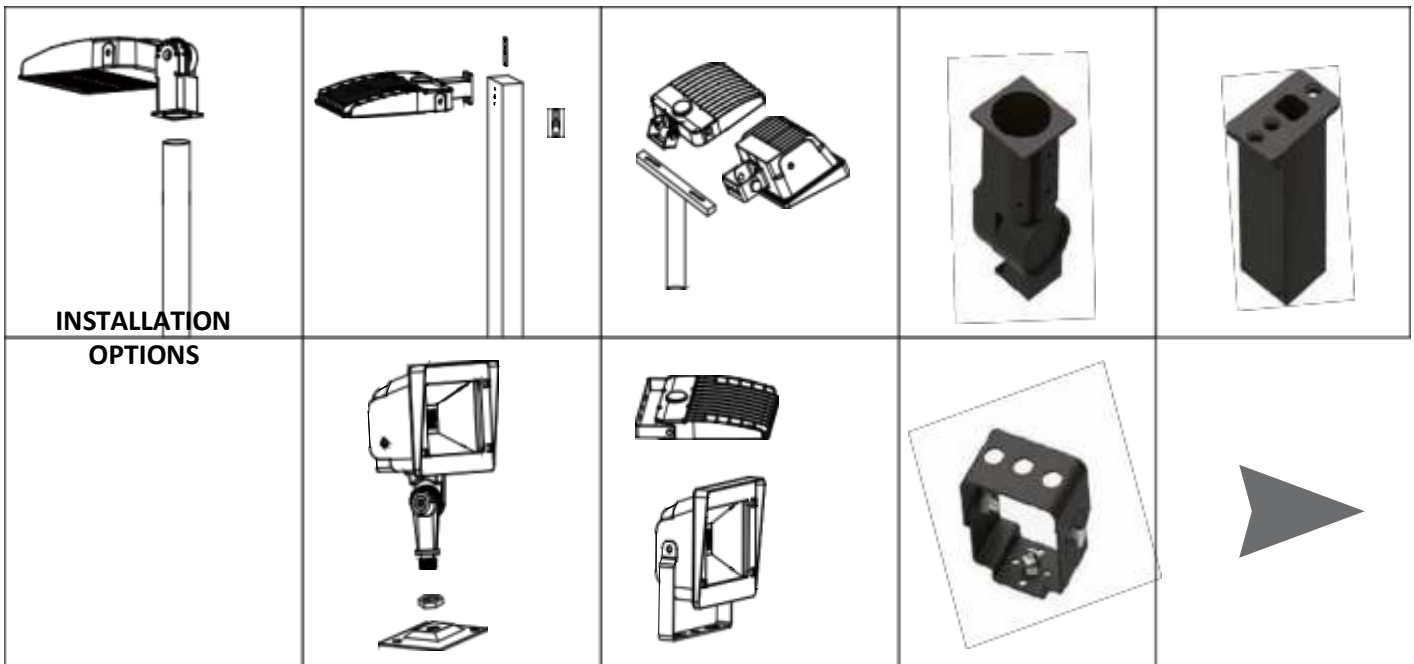


Model#: HDS-BL-FL30B-120W-XX
 120W LED Flood Light
 Power: 120W
 Lumens: 14400 lm
 Size: 12.6"L x 8" W x 8.7"H
 Beam Angle: 100 Degree
 Housing: Die Casting Aluminum
 Lens: Tempered Glass
 Voltage Input: 100-277V ac
 Installation: Type A/B/C/E

180W



Model#: BL-FL30B-180W-XX
 180W LED Flood Light
 Power: 180W
 Lumens: 21600 lm
 Size: 17"L x 9.8" W x 9.4"H
 Beam Angle: 100 Degree
 Housing: Die Casting Aluminum
 Lens: Tempered Glass
 Voltage: 100-277V ac
 Installation: type



General Specification

CRI: Ra>70 CCT: 5000K (Typical) Application: Wet Location Warranty: 5 years Certification: ETL/cETL, DLC

Be Off The Grid com Inc.

"Commercial LED Lighting Products"

LED Flood Lights



80W

Photocell



Model#: HDS-BL-FL30-80W-x
80W LED Flood (Parking Lot) Light
Power 80W
Lumens: 9000lm
Size: 12.3"L x 11.3"H
Beam Angle: 90 Degree
Housing: Die Casting Aluminum
Lens: PC
Voltage Input: 100-277V ac
Installation: Type A/B/C/E

80W (480V)

Photocell



Model#: HDS-BL-FL30-80W-HV-X
80W LED Flood (Parking Lot) Light
Power 80W
Lumens: 9000lm
Size: 12.3"L x 11.3"H
Beam Angle: 90 Degree
Housing: Die Casting Aluminum
Lens: PC
Voltage Input: 277-480V ac
Installation: Type A/B/C/E

100W

Photocell



Model#: HDS-BL-FL30-100W-X
100W LED Flood (Parking Lot) Light
Power 100W
Lumens: 12000lm
Size: 12.3"L x 11.3"H
Beam Angle: 90 Degree
Housing: Die Casting Aluminum
Lens: PC
Voltage Input: 100-277V ac
Installation: Type A/B/C/E

100W (480V)

Photocell



Model#: HDS-BL-FL30-100W-HV-X
100W LED Flood (Parking Lot) Light
Power 100W
Lumens: 12000lm
Size: 12.3"L x 11.3"H
Beam Angle: 90 Degree
Housing: Die Casting Aluminum
Lens: PC
Voltage Input: 277 - 480V ac
Installation: Type A/B/C/E

120W

Photocell



Model#: HDS-BL-FL30-120W-X
120W LED Flood (Parkign Lot)
Light Power: 120W
Lumens: 14400 lm
Size: 14.8"L x 13.3" W x 3"H
Beam Angle: 90 Degree
Housing: Die Casting Aluminum
Lens: PC
Photocell (Optional) Voltage
Input: 100-277V ac
Installation: Type A/B/C/E

120W (480V)

Photocell



Model#: HDS-BL-FL30-120W-HV-X
120W LED Flood (Parkign Lot)
Light Power: 120W
Lumens: 14400 lm
Size: 14.8"L x 13.3" W x 3"H
Beam Angle: 90 Degree
Housing: Die Casting Aluminum
Lens: PC
Photocell (Optional) Voltage
Input: 277-480V ac

150W

Photocell



Model#: HDS-BL-FL30-150W-X
150W LED Flood (Parkign Lot)
Light Power: 125W
Lumens: 18000 lm
Size: 14.8"L x 13.3" W x 3"H
Beam Angle: 90 Degree
Housing: Die Casting Aluminum
Lens: PC
Photocell (Optional) Voltage
Input: 100-277V ac
Installation: Type A/B/C/E

150W (480V)

Photocell



Model#: HDS-BL-FL30-150W-HV-X
150W LED Flood (Parkign Lot)
Light Power: 125W
Lumens: 18000 lm
Size: 14.8"L x 13.3" W x 3"H
Beam Angle: 90 Degree
Housing: Die Casting Aluminum
Lens: PC
Photocell (Optional) Voltage
Input: 277 - 480V ac
Installation: Type A/B/C/E

General Specification

CRI: Ra>70 CCT: 5000K (Typical) Application: Wet Location Warranty: 5 years Certification: ETL/cETL, DLC

Be Off The Grid com Inc.

"Commercial LED Lighting Products"

LED Canopy Lights



50W
 Model#: HDS-BL-CNPA-50W-277-XX
 50W LED Canopy Light
 Power: 50W
 Lumens: 5000 lm
 Size: 8.9" L x 8.9" W x 3.9" H
 Beam Angle: 140 Degree
 Housing: Die Casting Aluminum
 Lens: PC
 Voltage Input: 100-277V ac



75W
 Model#: HDS-BL-CNPA75W-277-XX
 75W LED Canopy Light
 Power: 75W
 Lumens: 5000 lm
 Size: 8.9" L x 8.9" W x 3.9" H
 Beam Angle: 140 Degree
 Housing: Die Casting Aluminum
 Lens: PC
 Voltage Input: 100-277V ac



100W
 Model#: HDS-BL-CNPA-100W-277-XX
 100W LED Canopy Light
 Power: 100W
 Lumens: 11000 lm
 Size: 12.4" L x 12.4" W x 4.5" H
 Beam Angle: 140 Degree
 Housing: Die Casting Aluminum
 Lens: PC
 Voltage Input: 100-277V ac



120W
 Model#: HDS-BL-CNPB-120W-277-XX
 120W LED Canopy Light
 Power: 120W
 Lumens: 13000 lm
 Size: 15.2" / H 4.6"
 Beam Angle: 140 Degree
 Housing: Die Casting Aluminum
 Lens: PC
 Voltage Input: 100-277V ac



50W
 Model#: BL-CNPB-50W-277-XX
 50W LED Canopy Light Power: 50W
 Lumens: 5000 lm Size: Φ11.4" / H 4.5"
 Beam Angle: 140 Degree Housing: Die Casting Aluminum Lens: PC
 Voltage Input: 100-277V ac



75W
 Model#: HDS-BL-CNPB-75W-277-XX
 75W LED Canopy Light
 Power: 75W
 Lumens: 7500 lm
 Size: 11.4" / H 4.5"
 Beam Angle: 140 Degree
 Housing: Die Casting Aluminum
 Lens: PC
 Voltage Input: 100-277V ac



100W
 Model#: HDS-BL-CNPB-100W-277-XX
 100W LED Canopy Light
 Power: 100W
 Lumens: 11000 lm
 Size: 15.2" / H 4.6"
 Beam Angle: 140 Degree
 Housing: Die Casting Aluminum
 Lens: PC
 Voltage Input: 100-277V ac



120W
 Model#: HDS-BL-CNPB-100W-277-XX
 100W LED Canopy Light
 Power: 100W
 Lumens: 11000 lm
 Size: 15.2" / H 4.6"
 Beam Angle: 140 Degree
 Housing: Die Casting Aluminum
 Lens: PC
 Voltage Input: 100-277V ac

General Specification

CRI: Ra>70 CCT: 5000K (Typical) Application: Wet Location Warranty: 5 years Certification: ETL/cETL, DLC

LED Vapor Tight Fixture



Model#: HDS-BL-VT-465-40W-840N

4' LED Vapor Tight Fixture

Power: 40W

Lumens: 3800lm

Voltage Input: 100-277V ac

Model#: HDS-BL-VT-465-52W-840N

4' LED Vapor Tight Fixture

Power: 52W

Lumens: 4900lm

Voltage Input: 100-277V ac



General Specification

CRI: Ra>80

CCT: 5000K (Typical)

Application: Wet Location

Warranty: 5 years Certification: ETL/cETL, DLC

LED High Bay (UFO Type)

General Specification

100W



Model#: HDS- BL-HB07A-100W-XX
UFO High Bay Light
Power: 100W
Lumens: 12500lm
Size: Φ12.6” / H 5.2”
Beam Angle: 110 Degree
Housing: Die Casting Aluminum
Lens: Tempered Glass
Voltage Input: 100-277V ac

150W



Model#: HDS- BL-HB07A-150W-XX
UFO High Bay Light
Power: 150W
Lumens: 19500lm
Size: Φ12.6” / H 5.2”
Beam Angle: 110 Degree
Housing: Die Casting Aluminum
Lens: Tempered Glass
Voltage Input: 100-277V ac

200W



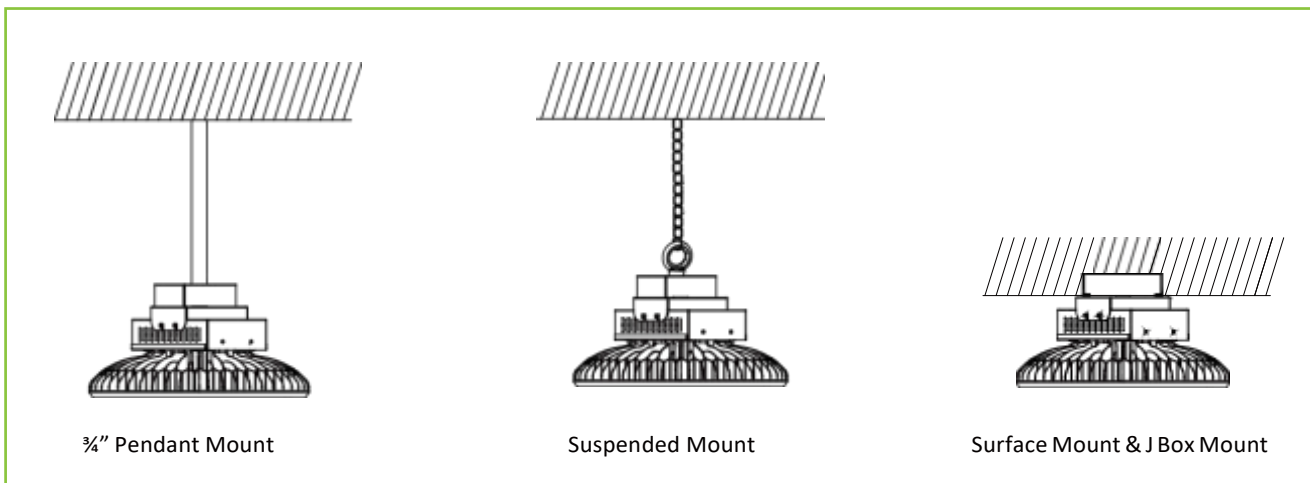
Model#: HDS-BL-HB07A-200W-XX
UFO High Bay Light
Power: 200W
Lumens: 25000lm
Size: Φ15.7” / H 6.5”
Beam Angle: 110 Degree
Housing: Die Casting Aluminum
Lens: Tempered Glass
Voltage Input: 100-277V ac

240W



Model#: HDS-BL-HB07A-240W-XX
UFO High Bay Light
Power: 240W
Lumens: 29000lm
Size: Φ15.7” / H 6.5”
Beam Angle: 110 Degree
Housing: Die Casting Aluminum
Lens: Tempered Glass
Voltage Input: 100-277V ac

Installation



General Specification

CRI: Ra>70 Color Temperature: 5000K(Typical)

Certification: ETL/cETL, DLC

Warranty: 5 years

Application: Wet Location

Be Off The Grid com Inc.

“Commercial LED Lighting Products”



100W (480V)



Model#: HDS- BL-HB07A-
100W-HV-XX
UFO High Bay Light
Power: 100W
Lumens: 12500lm
Size: Φ12.6” / H 5.2”
Beam Angle: 110 Degree
Housing: Die Casting Aluminum
Lens: Tempered Glass
Voltage Input: 277V-480V ac

150W (480V)



Model#: HDS- BL-HB07A
-150W-HV XX
UFO High Bay Light
Power: 150W
Lumens: 19500lm
Size: Φ12.6” / H 5.2”
Beam Angle: 110 Degree
Housing: Die Casting Aluminum
Lens: Tempered Glass
Voltage Input: 277V-480V ac

200W (480V)



Model#: HDS-BL-HB07A
-200W-HV-XX
UFO High Bay Light
Power: 200W
Lumens: 25000lm
Size: Φ15.7” / H 6.5”
Beam Angle: 110 Degree
Housing: Die Casting Aluminum
Lens: Tempered Glass
Voltage Input: 277V-480V ac

240W (480V)



Model#: HDS-BL-HB07A
-240W-HV-XX
UFO High Bay Light
Power: 240W
Lumens: 29000lm
Size: Φ15.7” / H 6.5”
Beam Angle: 110 Degree
Housing: Die Casting Aluminum
Lens: Tempered Glass
Voltage Input: 277V-480V ac



General Specification

CRI: Ra>70 ColorTemperature: 5000K(Typical) Certification: ETL/cETL, DLC Warranty: 5 years Application: Wet Location

Be Off The Grid com Inc.
2016



LED Luminaries - Indoor Series



- LED Flat Panel(Driver Inbuilt)
- LED Troffer Retrofit
- LED Troffer Fixture
- LED Puff Light
- NEW Hybrid LED Ballast Compatible and/or Direct Wired (no ballast)

LED Flat Panel(Driver Inbuilt)



Model#: BL-FP1-32W-CNS



1 x 4'

LED Flat Panel Light
 Power: 32W
 Lumens: 3400 lm
 Double Sides Flat, Driver
 Inbuilt Dimmable: Yes
 Thickness: 20mm (3/4")
 Voltage Input: 100-277V ac

Model#: HDS-BL-FP4-32W-CNS

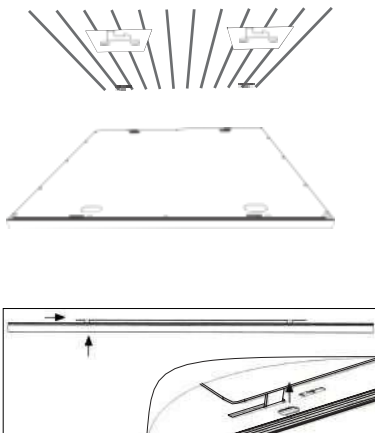


2x 2'

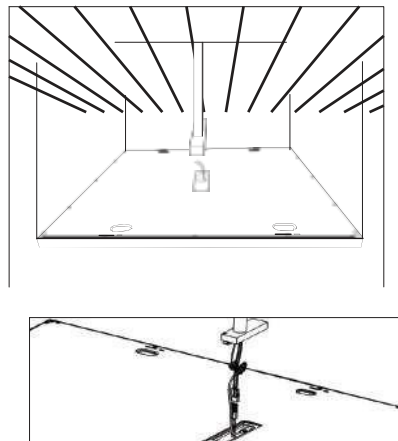
LED Flat Panel Light Power:
 32W
 Lumens: 3400 lm
 Double Sides Flat, Driver
 Inbuilt Dimmable: Yes
 Thickness: 20mm (3/4")
 Voltage Input: 100-277V ac



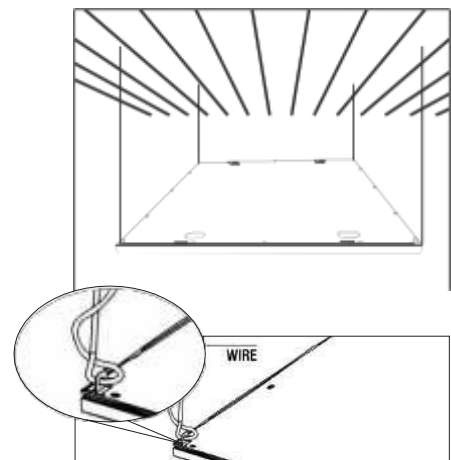
Surface Mount (Flash Mount)



T Bar Mount



Suspended Mount



General Specifications

CRI: Ra>80 Color Temperature: 3000K,4000K,5000K Dimmable: Yes / No Voltage Input: 100-277V ac Beam Angle: 110 degree
 Application: Indoor only Installation: Suspension, Surface Mount, T Bar Mount Warranty: 5 years Driver Inbuilt
 Certificates: ETL/cETL, DLC

LEDTroffer Retrofit



2x2' 26W
 Model#: HDS-BL-TRF-22-26W-840N
 2x2' LEDTrofferRetrofitKit
 Power: 26W
 Frame: Steel, Painted In White
 Lens: PC, Frosted
 Voltage Input: 100-277V ac
 Lumens: 3100 lm
 Certificate: ETL/cETL, DLC



2x2' 34W
 Model#: HDS-BL-TRF-22-34W-840N
 2x2' LEDTrofferRetrofitKit
 Power: 34W
 Frame: Steel, Painted In White
 Lens: PC, Frosted
 Voltage Input: 100-277V ac
 Lumens: 4000 lm
 Certificate: ETL/cETL, DLC



2x2' 40W
 Model#: HDS-BL-TRF-22-40W-840D
 2x2' LEDTrofferRetrofitKit
 Power: 40W
 Frame: Steel, Painted In White
 Lens: PC, Frosted
 Voltage Input: 100-277V ac
 Lumens: 4000lm
 Certificate: ETL/cETL, DLC



2x4' 34W
 Model#: HDS-BL-TRF-24-34W-840N
 2x4' LEDTrofferRetrofitKit
 Power: 34W
 Frame: Steel, Painted In White
 Lens: PC, Frosted
 Voltage Input: 100-277V ac
 Lumens: 3800 lm
 Certificate: ETL/cETL, DLC



2x4' 40W
 Model#: HDS-BL-TRF-24-34W-840N
 2x4' LEDTrofferRetrofitKit
 Power: 40W
 Frame: Steel, Painted In White
 Lens: PC, Frosted
 Voltage Input: 100-277V ac
 Lumens: 3800 lm
 Certificate: ETL/cETL, DLC



2x4' 52W
 Model#: HDS-BL-TRF-24-34W-840N
 2x4' LEDTrofferRetrofitKit
 Power: 52W
 Frame: Steel, Painted In White
 Lens: PC, Frosted
 Voltage Input: 100-277V ac
 Lumens: 5200 lm
 Certificate: ETL/cETL, DLC



General Specification

CRI: Ra>80 Color Temperature: 4000K, 5000K, Dimmable: Yes / No Voltage Input: 100-277Vac Warranty: 5 years
 Application: Indoor Only Certificates: ETL/cETL, DLC

Be Off The Grid com Inc.

"Commercial LED Lighting Products"



Model#: HDS-BL-TY-22-26W-840N
2x2' LED Troffer Fixture
Power 34W
Frame Steel, Painted White
Lens: PC Frosted
Voltage Input: 100-277V ac
Lumens: 3700 lm
Certificate: ETL/cETL, DLC



Model#: HDS-BL-TF-24-34W-840N
2x2' LED Troffer Fixture
Power: 40W
Frame Steel, Painted White
Lens: PC Frosted
Voltage Input: 100-277V ac
Lumens: 3840 lm
Certificate: ETL/cETL, DLC



Model#: HDS-BL-TF-25-40w-840D
2x2' LED Troffer Fixture
Power: 40W
Frame Steel, Painted White
Lens: PC Frosted
Voltage Input: 100-277V ac
Lumens: 5000 lm
Certificate: ETL/cETL, DLC



Model#: HDS-BL-TY-22-34W-840N
2x4' LED Troffer Fixture
Power 34W
Frame Steel, Painted White
Lens: PC Frosted
Voltage Input: 100-277V ac
Lumens: 3700 lm
Certificate: ETL/cETL, DLC



Model#: HDS-BL-TF-24-40W-840N
2x4' LED Troffer Fixture
Power: 40W
Frame Steel, Painted White
Lens: PC Frosted
Voltage Input: 100-277V ac
Lumens: 3840 lm
Certificate: ETL/cETL, DLC



Model#: HDS-BL-TF-25-52w-840D
2x4' LED Troffer Fixture
Power: 52W
Frame Steel, Painted White
Lens: PC Frosted
Voltage Input: 100-277V ac
Lumens: 5000 lm
Certificate: ETL/cETL, DLC

General Specification

CRI: Ra>80 Color Temperature: 4000K, 5000K, Dimmable: Yes / No Voltage Input: 100-277Vac Warranty: 5 years
Application: Indoor Only Certificates: ETL/cETL, DLC

LED Puff Light



12" 17W
 Model#: HDS-BL-C112-17W
 12" LED Round Puff Light,
 Double Ring
 Power 17W
 Lumens 1300 lm
 Height: 3.74"
 Certificates: ETL/cETL, ES
 Voltage input: 100-277V ac



14" 26W
 Model#: HDS-BL-CL14-28W
 14" LED Round Puff Light,
 Double Ring
 Power 28W
 Lumens: 2000lm
 Height: 3.74"
 Certificates: ETL/cETL, ES
 Voltage input: 100-277V ac



16" 34W
 Model#: HDS-BL-CL16-34W
 16" LED Round Puff Light
 Double Ring
 Power 34W
 Lumens: 2700lm
 Height: 3..74"
 Certificates: ETL/cETL, ES
 Voltage input: 100-277V ac



1x4' 57W
 Model#: HDS-BL-CL1x4-57YYZZ
 1x4' LED Puff Light Fixture
 Power: 57W
 Lumens: 4500 lm
 Length/Height/Width: 48"/3.4"/10.2"
 Certificates: UL/cUL, ES
 Voltage Input: 100-277V ac



15" 22W
 Model#: HDS-BL-CL15-22YYZZ
 15" LED Puff Light Single Ring
 Power 22W
 Lumens: 1500 lm
 Height: 3.5"
 Certificates: UL/cUL ES
 Voltage Input: 100-277V ac

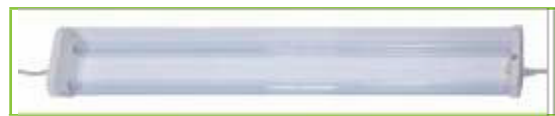
Voltage Input: 100-277V ac
 Color Temperature: 4000K

Luminous Efficacy: 75 lm/w
 CRI: Ra>80
 Power Factor: >90
 Beam Angle: 150°
 Dimmable: Yes

Lens Option: White Acrylic
 Warranty: 3 years
 Application: Indoor
 Color Temperature: 4000K, 5000K

Be Off The Grid com Inc.

"Commercial LED Lighting Products"



Model#: BL-LKSP4F-42W-XX
4' Linkable LED Shop light
Power: 42W
Length / Height / Width: 46.5" / 2.8" / 6"
Lumens: 4500lm
Certificates: UL/cUL, ES
Voltage Input: 120V ac



Model#: HDS-BL-SP4F-42W
4' shop light
Power: 42W
Height / Width: 2.9" / 6.3"
Lumens: 4500 lm
Certificates: UL/cUL, ES
Voltage Input: 120V ac



General Specification

Voltage Input: 120Vac, 50/60Hz Power Factor: >90
Color Temperature: 3000K, 4000K, 5000K CRI: Ra>80
Certificates: UL/cUL, ES

Lens Option: Frosted, Clear,
Beam Angle: 116°

Application: Indoor
Warranty: 5 years Non Dimmable

Be Off The Grid com Inc.

"Commercial LED Lighting Products"

LED Wraparound Fixture



Item#: HDS-BL-WR-486-40W-840N
4Ft LED Wraparound Fixture
Power: 40W
Width: 6"(152.4 mm)
Application: Indoor Only
Voltage Input: 120-277V ac
Lumens: 3900 lm Certificate:
ETL/cETL, DLC
Voltage Input: 120-277Vac

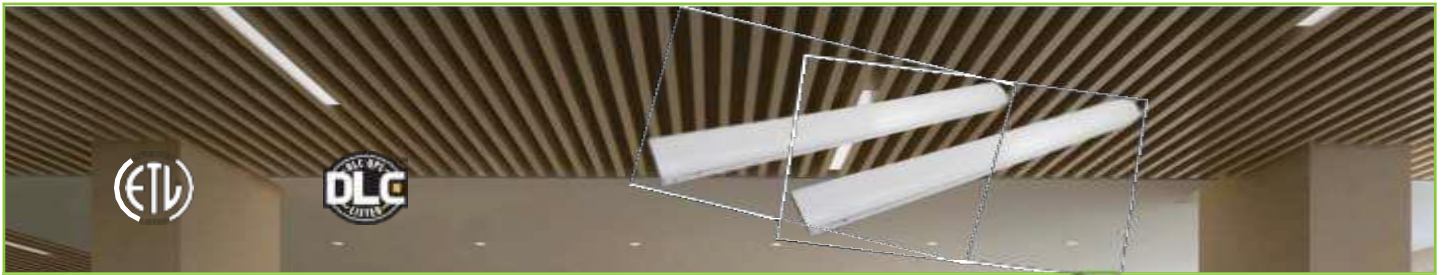


General Specification

CRI: Ra>80 Color Temperature: 3000K, 4000K, 5000K Dimmable: Yes / No Voltage Input: 120-277Vac Warranty: 5 years Lens: Frosted Acrylic
Certificates: ETL/cETL, DLC

Be Off The Grid com Inc.

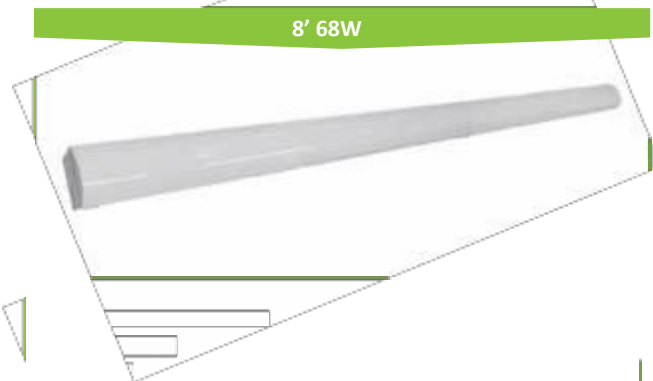
"Commercial LED Lighting Products"



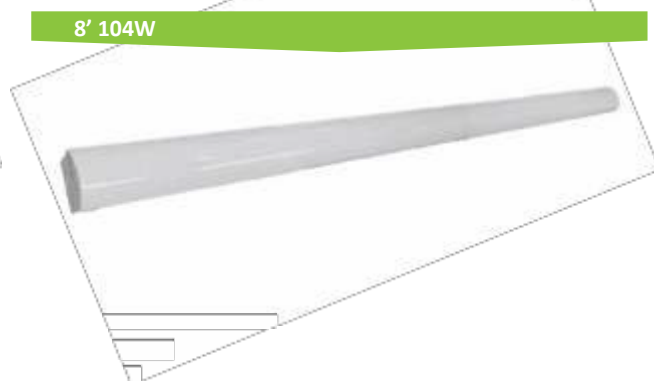
Item#: HDS-BL-STP-48-40W-840N
 4' LED Strip Light
 Power: 40W
 Width: 4.8"
 Lens: Frosted Diffuse PC lens
 Voltage Input: 100-277Vac
 Lumens: 4200lm
 Certificate: ETL/cETL, DLC



Item#: HDS-BL-STP-48-52W-850N
 4' LED Strip Light
 Power: 52W
 Width: 4.8"
 Lens: Frosted Diffuse PC Lens
 Voltage input: 100-277V ac
 Lumens: 5400 lm
 Certificate: ETL/cETL, DLC



Item#: HDS-STP-96-86W-840D
 8' LED Strip Light
 Width: 4.8"
 Lens: Frosted Diffuse PC Lens
 Lumens: 6800 lm
 Certificate: ETL/cETL, DLC



Item#: HDS-BL-STP-96-104W-840D
 8' LED Strip Light
 Power: 104W
 Lens: Frosted Diffuse PC Lens
 Lumens: 10400 lm
 Certificate: ETL/cETL, DLC

General Specification

CRI: Ra>80 Color Temperature: 3000K, 4000K, 5000K Dimmable: Yes / No Voltage Input:100-277Vac Warranty: 5 years
 Application: Indoor Only Certificates: ETL/cETL, DLC

LED Linear High Bay Fixture



Item#: HDS-BL-LHB-4811-100W-850D
4' LED Linear High Bay Fixture
Power 100W
Width:11"
Lens: Optional
Voltage Input: 100-277V ac
Lumens: 11000 lm
Certificate: ETL/cETL, DLC



Item#: HDS-BL-LHB-4811-140W-850D
4' LED Linear High Bay Fixture
Power 140W
Width:11"
Lens: Optional
Voltage Input: 100-277V ac
Lumens: 15000 lm
Certificate: ETL/cETL, DLC



Item#: HDS-BL-LHB-4816-200W-850D
4' LED Linear High Bay Fixture
Power 200W
Width:11"
Lens: Optional
Voltage Input: 100-277V ac
Lumens: 22000 lm
Certificate: ETL/cETL, DLC



General Specification

CRI: Ra>80 Color Temperature: 3000K, 4000K, 5000K Dimmable: Yes / No Voltage Input:100-277Vac Warranty: 5 years
Application: Indoor Only Certificates: ETL/cETL,DLC

LED T8tube

-Ballast Fully Compatible

Model Number: HDS-BL-T8-18W1200 BQET+

Performance Summary

- Directly replace florescent 4ft T8-plug and play, no rewiring
- Fully compatible with most of magnetic ballast or electronic ballast Fully functional by-passing existing ballast in the circuit
- 4ft, 18W, lumenefficacy of 110~120lm/W, 50% energy saving CRI: Ra>80, THD<20
- UL/cUL, DLC Certified
- 5 year Warranty



INSTALLATION DIAGRAMS

