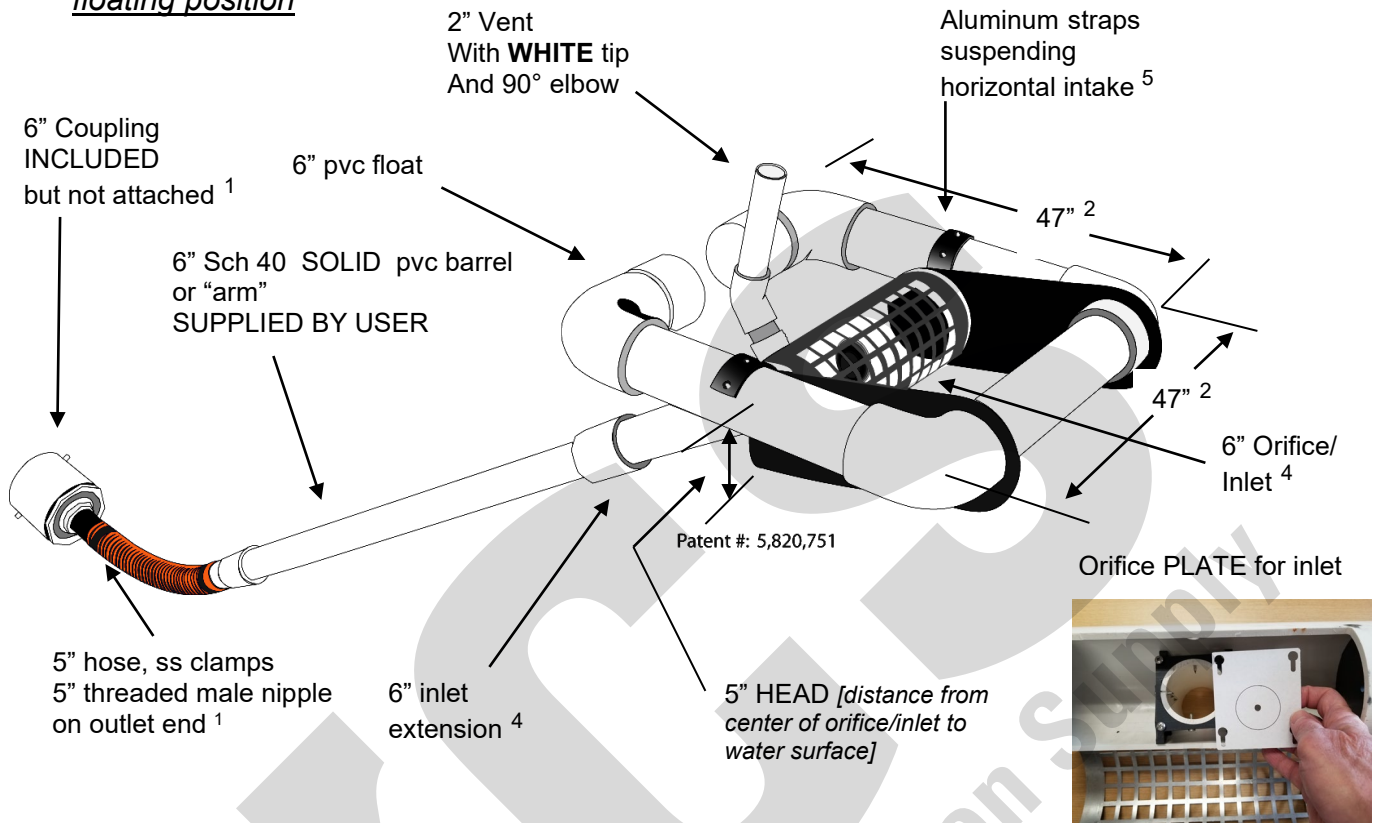


6" Faircloth Skimmer® Cut Sheet

J. W. Faircloth & Son, Inc.
www.FairclothSkimmer.com

Skimmer shown in floating position



1. Hose can be attached to outlet using the threaded 5" nipple. Typical methods used: a) a metal structure with a steel stub out welded on the side at the bottom with a 5" threaded coupling or reducer(s); b) a concrete structure with a hole or orifice at the bottom - use a steel plate with a hole and coupling welded to it that will fit over the hole in the concrete and bolted to the structure with sealant.
2. Dimensions are approximate, not intended as plans for construction.
3. Barrel (solid, not foam core pipe) should be 1.4 times the depth of water with a minimum length of 8' so the inlet can be pulled to the side for maintenance. If more than 12' long, weight may have to be added to inlet to counter the increased buoyancy.
4. Orifice/Inlet tapers down from 6" maximum inlet to a 5" flex hose. The orifice/inlet can be reduced using the plate and cutter provided to control the outflow rate – see # 6.
5. Horizontal intake is 10" pipe between the straps with slots cut in the inlet and aluminum screen door (smaller than shown in illustration) for access to the 6" inlet and orifice inside.
6. **Capacity:** 51,840 cubic feet per day maximum with 6" inlet and 5" head. Inlet can be reduced by installing a smaller orifice using the plate and cutter provided to adjust flow rate for the particular drawdown time required. Please use the sizing template at www.fairclothskimmer.com.
7. Ships assembled. User glues inlet extension and barrel, installs vent, cuts orifice in plate and attaches to outlet pipe or structure. Includes float, flexible hose, rope, and orifice plate and cutter. User supplies 6" Sch 40 PVC barrel.