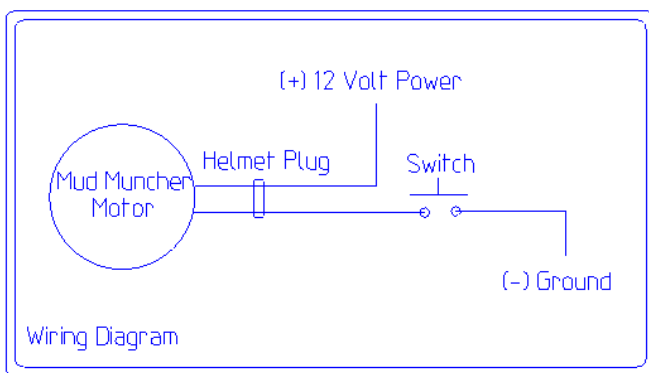




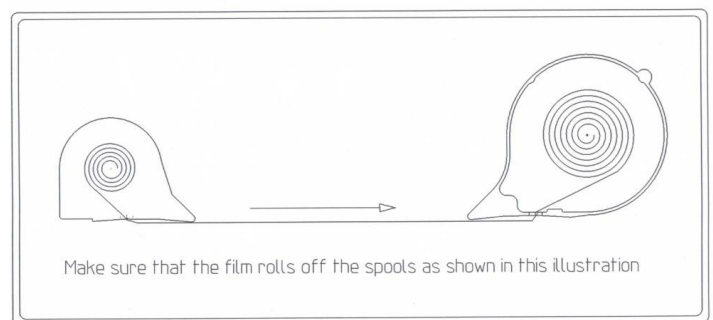
MUD MUNCHER WIRING INSTRUCTIONS

1. Install the film advance button using metal clamp or cable tie in a convenient and easy to reach location. Example: steering wheel, shifter, steering brake, dash board, roll bar, handle bars, etc.
2. **IMPORTANT NOTE:** Metal housing of plugs must be covered with shrink tubing or other type non conductive material.
3. Position the power cord to allow for driver mobility when connected to helmet plug.
4. Use cable ties to hold the power cord in location.
5. For the most reliable results solder all connections and cover with shrink tubing.
6. The black wire from the power cord gets connected to one lead of the film advance button.
7. The other lead from the film advance button gets connected to the negative (-) ground side of the electrical system.
8. The red wire from the power cord connects to positive (+) power side of the electrical system. (it is suggested to install an in-line fuse)
9. Cover metal exterior of both the male and female plugs with non conductive material. (Shrink tubing or electrical tape)
10. When wiring is complete, remove the top cover from the motorized film housing, push the film advance button and check that the spindle rotates as shown in drawing B.

THE FILM ADVANCE BUTTON THAT IS INCLUDED WITH THE STANDARD MUD MUNCHER KIT IS GOOD FOR SOME APPLICATIONS. FOR THE BEST RESULTS AND RELIABILITY, THE SWITCH SHOULD BE REPLACED WITH A HIGHER QUALITY SWITCH THAT FITS YOUR APPLICATION. (we offer another switch part #E112)



Drawing A



Drawing B

