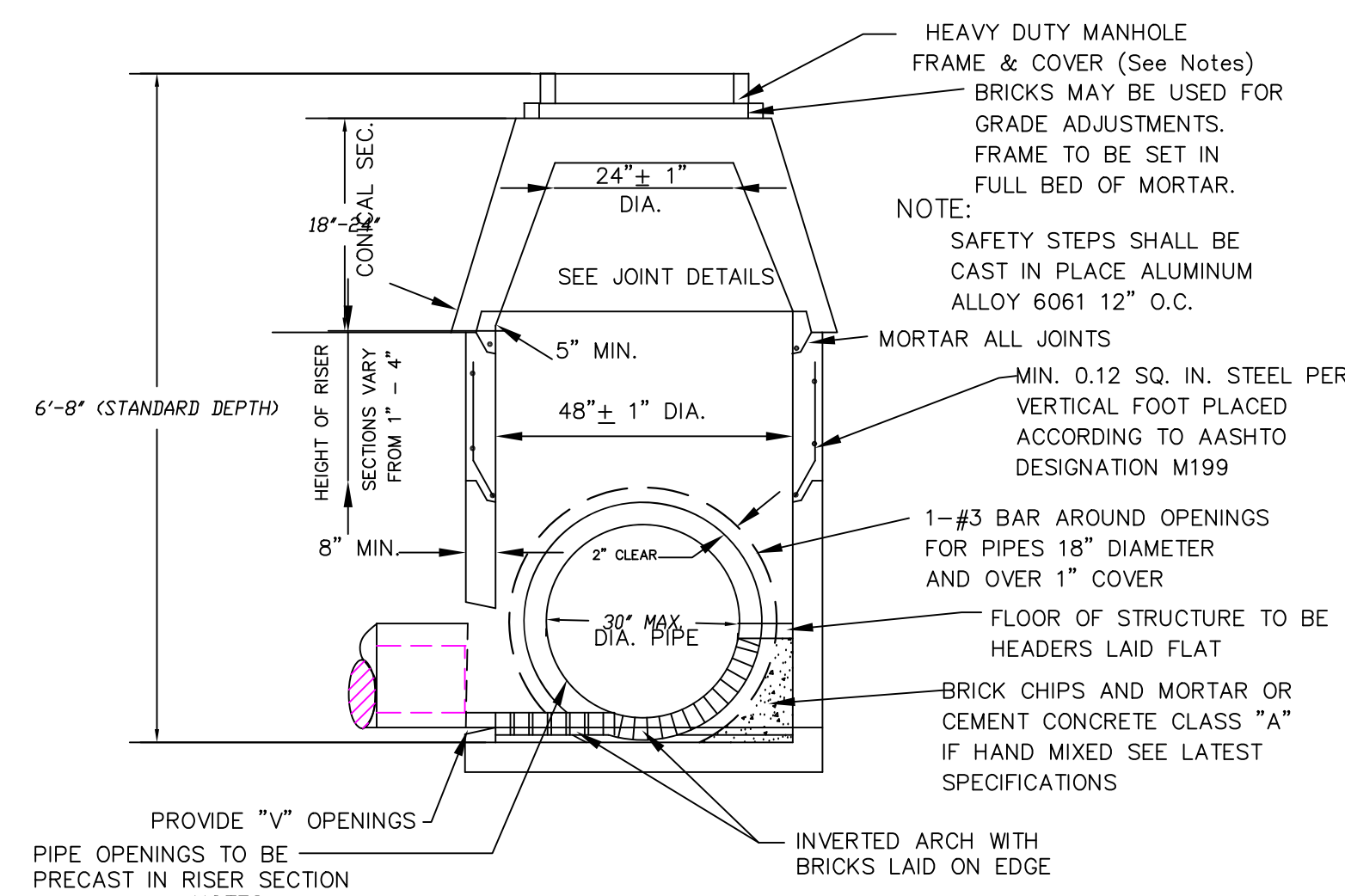
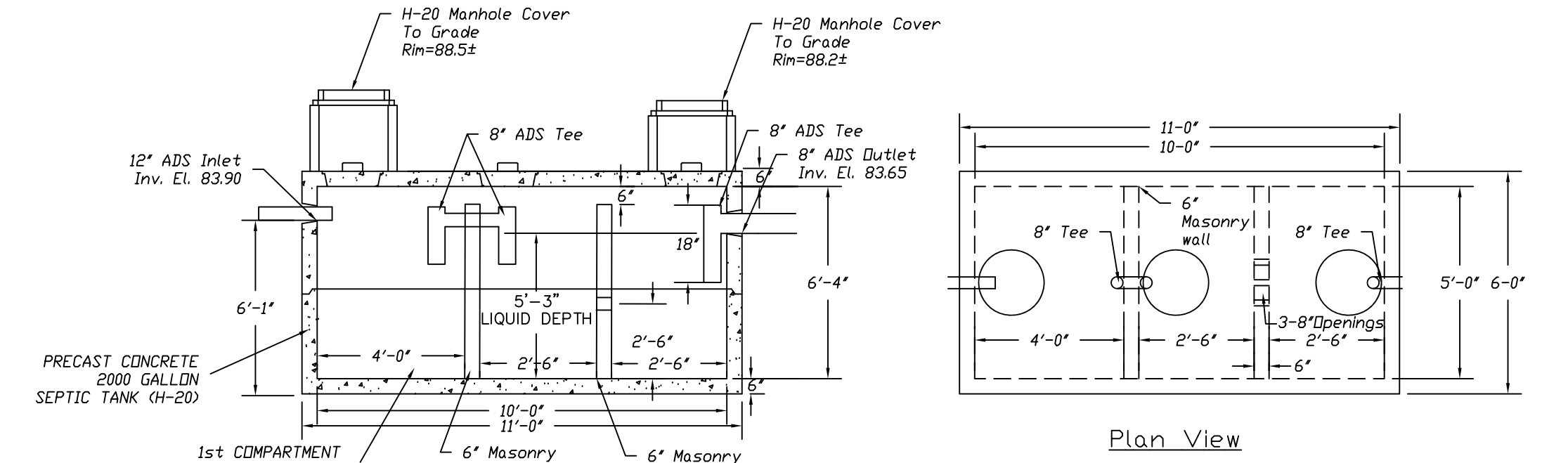


NOTES
 1. DETAILS NOT INDICATED ABOVE ARE TO BE SIMILAR TO THOSE SHOWN ON M.D.P.W. STD. 201.20,201.3.0
 2. FACE OF PIPE FLUSH OR NOT TO PROJECT MORE THAN 4" FROM FACE OF WALL ALONG CENTERLINE OF PIPE.
 3. FOR DESCRIPTION, MATERIAL AND CONSTRUCTION METHOD, SEE SPECIFICATIONS.



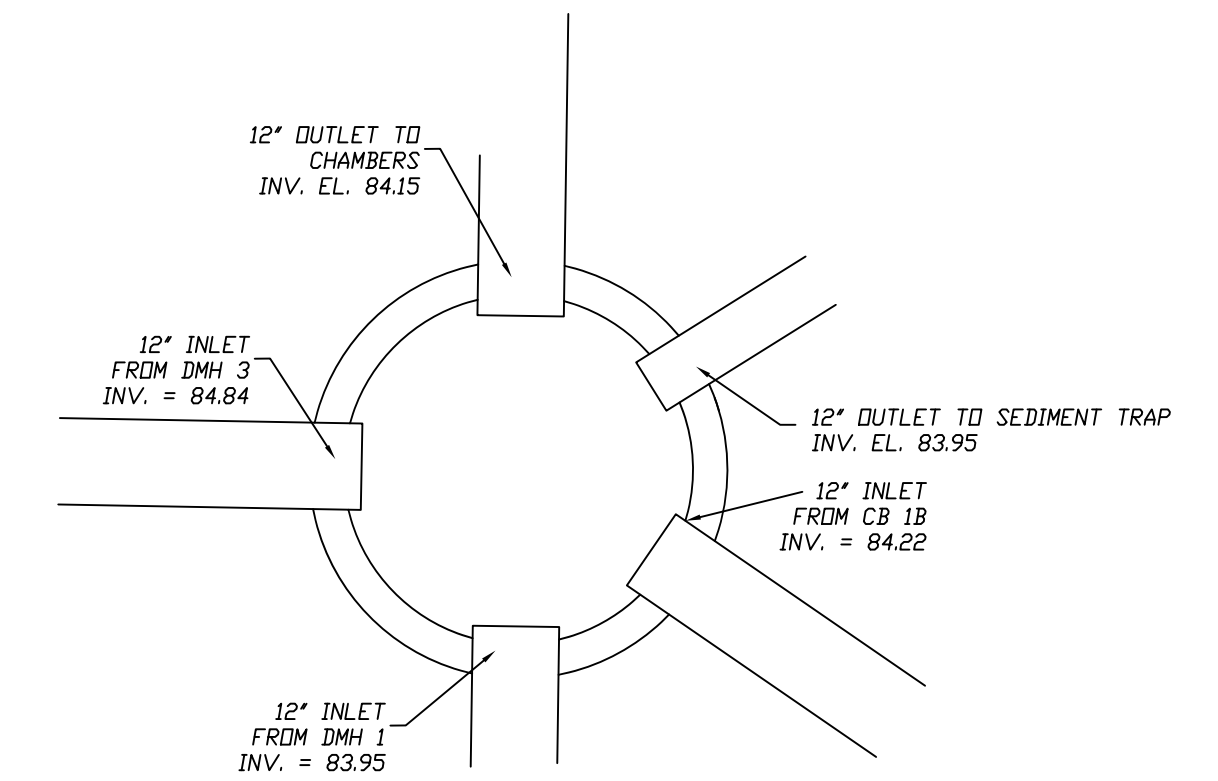
NOTE:
 SAFETY STEPS SHALL BE CAST IN PLACE ALUMINUM ALLOY 6061 12" O.C.
 MIN. 0.12 SQ. IN. STEEL PER VERTICAL FOOT PLACED ACCORDING TO AASHTO DESIGNATION M199
 FLOOR OF STRUCTURE TO BE HEADERS LAID FLAT
 BRICK CHIPS AND MORTAR OR CEMENT CONCRETE CLASS "A" IF HAND MIXED SEE LATEST SPECIFICATIONS

NOTES:
 1. MANHOLE COVERS SHALL BE EAST JORDAN IRON WORKS MODEL NO. MA0211000041 MARKED DRAIN.
 2. FRAMES SHALL BE EAST JORDAN IRON WORKS MODEL NO. MA22600002
 3. UNLESS OTHERWISE NOTED, ALL STRUCTURES INCLUDING CASTINGS SHALL BE H-20 RATED.

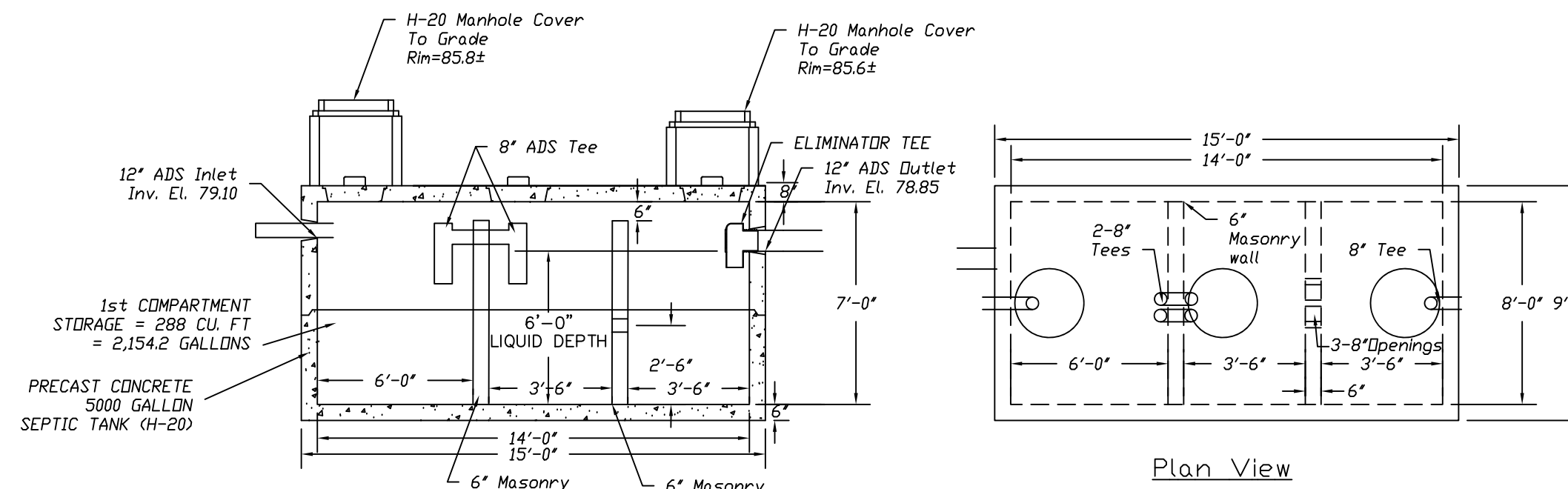


IMPERVIOUS AREAS 7210 S.F.
 WATER QUALITY VOLUME 600.8 cu. ft.
 1st CHAMBER VOLUME REQUIRED = 0.1" = 601 CU. FT. = 450 gallons

2000 GAL. 3-COMPARTMENT SEDIMENT, OIL, & GREASE TRAP

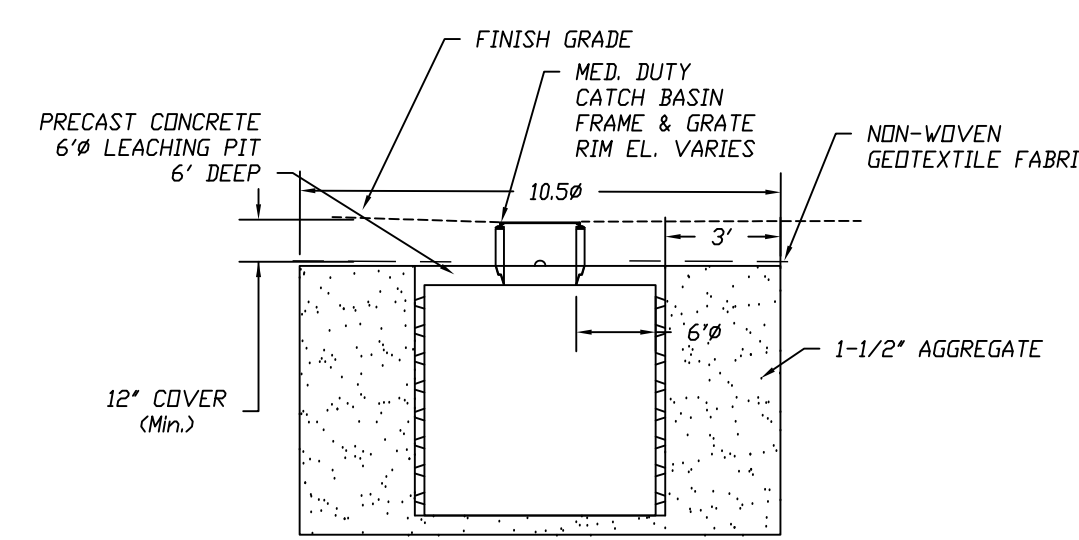


DRAIN MANHOLE 2

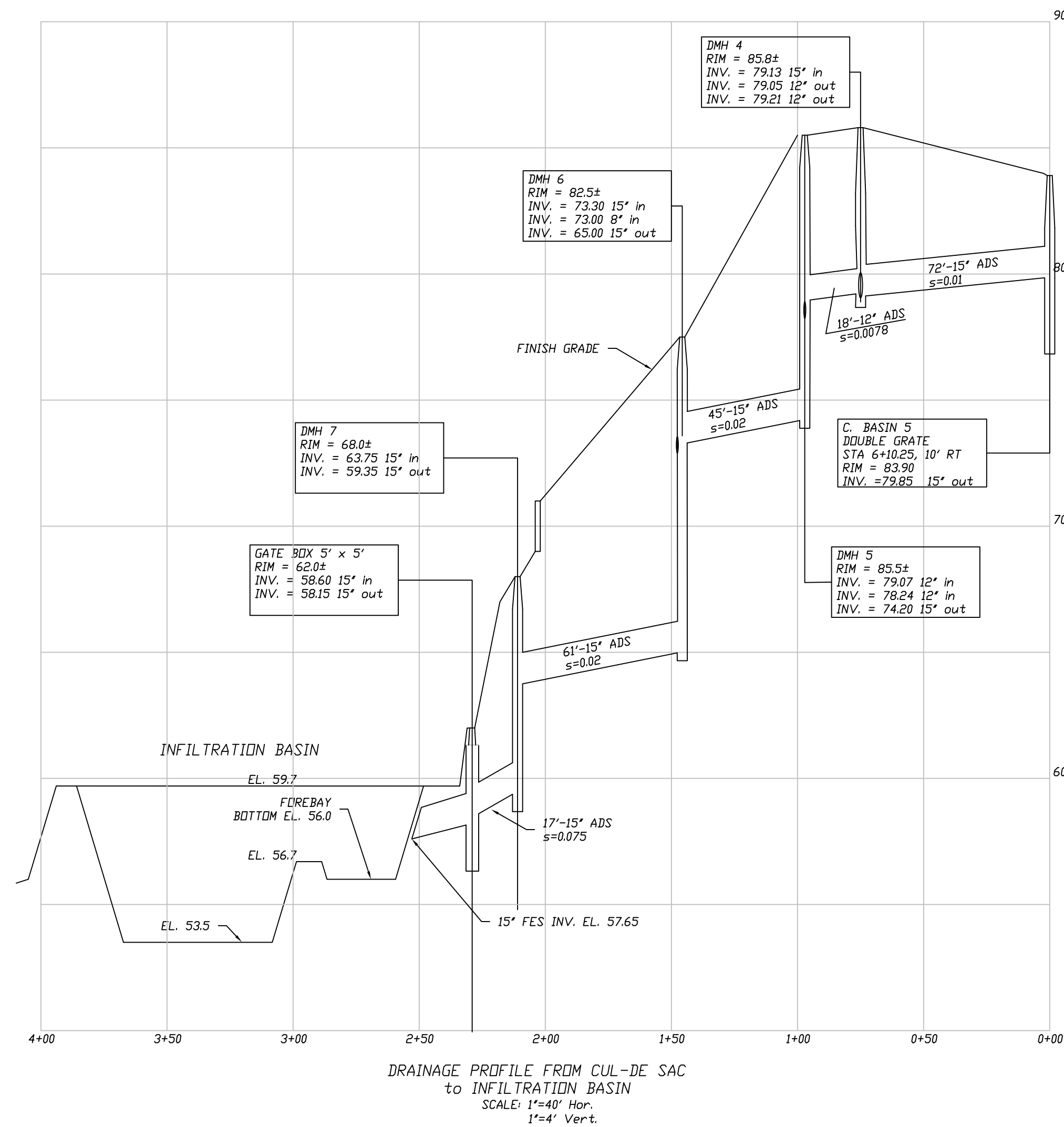


IMPERVIOUS AREAS
 ROADWAY 12,096 S.F.
 DRIVEWAYS 4,072 S.F.
 SIDEWALK 1,345 S.F.
 WALKWAYS 945 S.F.
 TOTAL 18,458 S.F.
 WATER QUALITY VOLUME 1,538.2 cu. ft.
 1st CHAMBER VOLUME REQUIRED = 0.1" = 154 CU. FT.

5000 GAL. 3-COMPARTMENT SEDIMENT, OIL, & GREASE TRAP



LEACHING PIT DETAIL



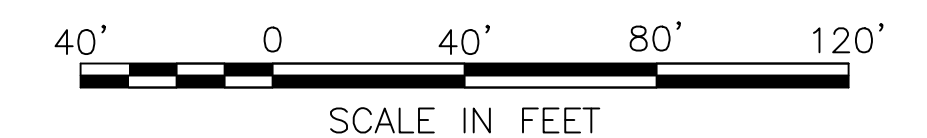
OWNER & APPLICANT

BRENNAN, CONSTANCE J.
 REVOCABLE LIVING TRUST
 225 BEAVER DAM ROAD
 PLYMOUTH, MA 02370
 LDCUS: PARCEL Nos. 075-013-004 & 005

DRAINAGE DETAILS
 THE RESIDENCES AT SERENITY HILL
 221 BEAVER DAM ROAD
 PLYMOUTH, MA 02370

SCALE: 1"=40' DATE: JULY 27,2020

JAMES ENGINEERING, INC.
 125 GREAT ROCK ROAD
 HANOVER, MASS. 02339
 TEL: 1- (781)-878-1795



NO.	DATE	DESCRIPTION	BY
1	12/15/20	response to engineering	GDJ
2	12/23/20	ADDED LOT NUMBERS	GDJ
3	02/15/21	RESPONSE TO ENGINEERING	GDJ
4	03/15/21	RESPONSE TO ENGINEERING	GDJ
5	04/08/21	MINOR REVS	GDJ