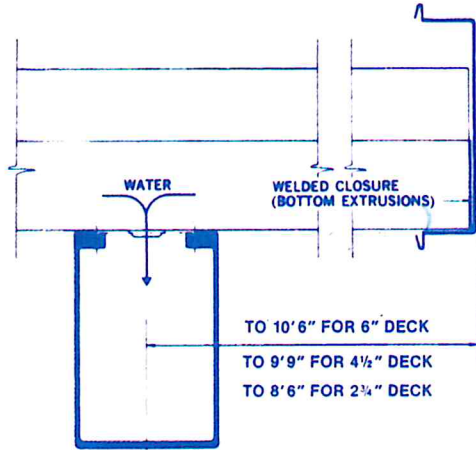
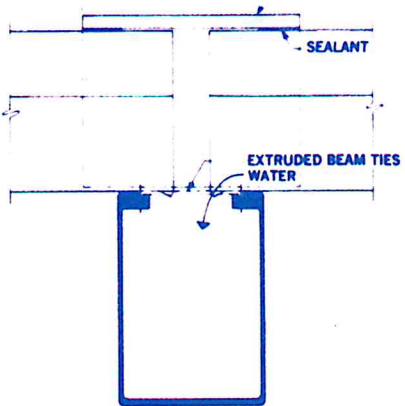


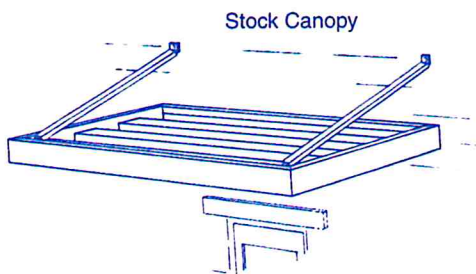
DECK SECTION



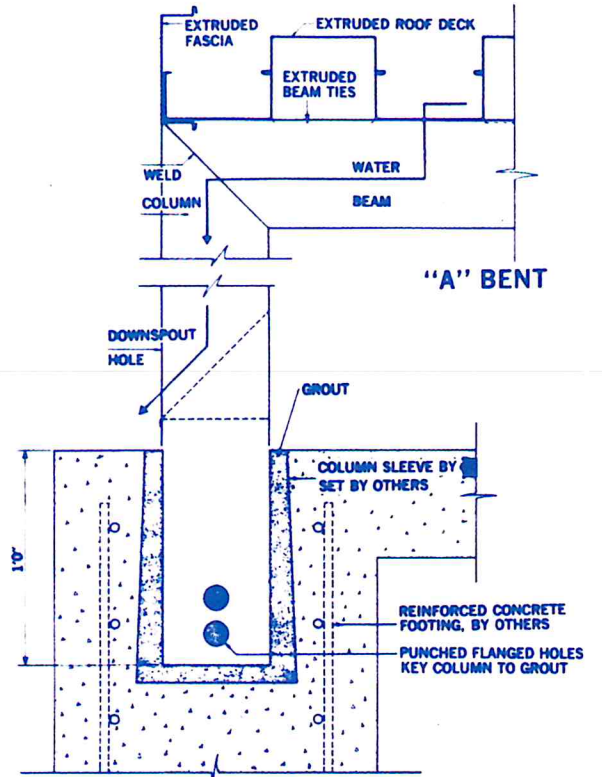
DECK CANTILEVER



DRAINING BEAM BETWEEN BAYS

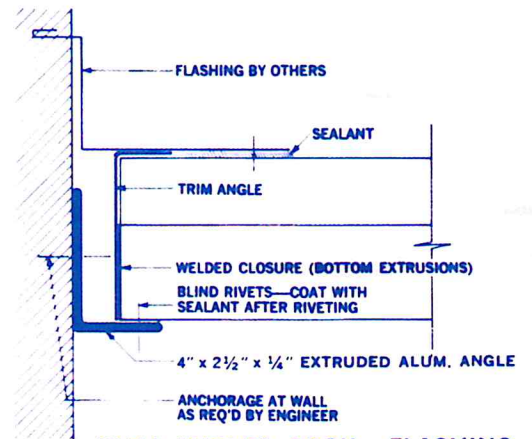


Stock Canopy

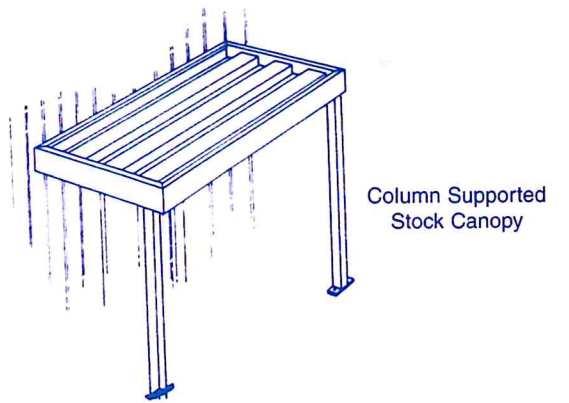


"A" BENT

COLUMN-FOOTING CONNECTION



WALL ANGLES, DECK, FLASHING



Column Supported Stock Canopy