



Image Coming Soon

Job Name	
Job Location	
P.O.#	
Engineer	
Contractor	
Wholesaler	
CopperPress® Rep	

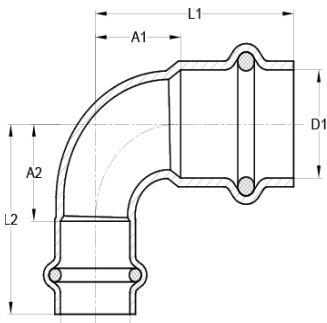
Description: CopperPress® Small Diameter Press 90° Reducing Elbow is available in sizes ¾" x ½" and 1" x ¾" is made of lead-free dezincification resistant copper with an EPDM or HNBR o-ring. CopperPress® fittings are designed to be used with ASTM B88 Type K, L and M copper tubing in the hard-drawn condition.

Features:

- **Visual Indicator Press Ring (VIPR)** – facilitates immediate identification of un-pressed connections
- **Leak Before Press** – in addition to the VIPR, valve incorporates four path LBP technology, guaranteeing a visual indication if not pressed
- **Permanent Application Marking** – imprinted on fitting body for quick H₂O or gas application identification
- **Lead Free Construction** – fully compliant with current lead-free laws
- **Copper Ends** - protect against dezincification and stress corrosion cracking

Operational Parameters: Operating / Test Pressure = 300 psi / 600 psi, Temperature Range 0°F - 250°F

Approvals: NSF ANSI/CAN 61, UPC, cUPC, IPC, IAPMO PS-117, ICC-ES-PMG, ASME B16.51



Item Number	D1 (in)	D2 (in)	L1 (in)	A1 (in)	L2 (in)	A2 (in)
24560	¾"	½"	1.83	0.89	1.69	0.89
24570	1"	¾"	1.73	0.93	1.79	1.28