



Image Coming Soon

<b>Job Name</b>	
<b>Job Location</b>	
<b>P.O.#</b>	
<b>Engineer</b>	
<b>Contractor</b>	
<b>Wholesaler</b>	
<b>CopperPress® Rep</b>	

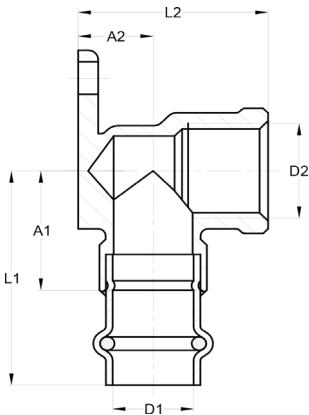
**Description:** CopperPress® Small Diameter Drop Ear Elbow is available in sizes ¾" x ½" and 1" x ¾" is made of lead-free dezincification resistant copper with an EPDM or HNBR o-ring. CopperPress® fittings are designed to be used with ASTM B88 Type K, L and M copper tubing in the hard-drawn condition.

**Features:**

- **Visual Indicator Press Ring (VIPR)** – facilitates immediate identification of un-pressed connections
- **Leak Before Press** – in addition to the VIPR, valve incorporates four path LBP technology, guaranteeing a visual indication if not pressed
- **Permanent Application Marking** – imprinted on fitting body for quick H<sub>2</sub>O or gas application identification
- **Lead Free Construction** – fully compliant with current lead-free laws
- **Copper Ends** - protect against dezincification and stress corrosion cracking

**Operational Parameters:** Operating / Test Pressure = 300 psi / 600 psi, Temperature Range 0°F - 250°F

**Approvals:** NSF ANSI/CAN 61, UPC, cUPC, IPC, IAPMO PS-117, ICC-ES-PMG, ASME B16.51



Item Number	D1 (in)	D2 (in)	L1 (in)	A1 (in)	L2 (in)	A2 (in)
24590	½"	⅜" FPT	1.77	0.94	1.36	0.59
24600	½"	½" FPT	1.77	0.94	1.77	0.94
24610	¾"	¾" FPT	2.13	1.18	2.13	1.18