



Job Name	
Job Location	
P.O.#	
Engineer	
Contractor	
Wholesaler	
CopperPress® Rep	

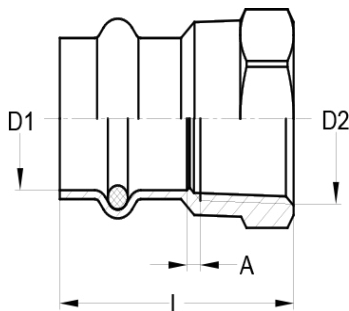
Description: CopperPress® Small Diameter Press Female Adapter is available in sizes ½” – 2” and is made of lead-free dezincification resistant bronze with an EPDM or HNBR o-ring. CopperPress® fittings are designed to be used with ASTM B88 Type K, L and M ½” – 2” copper tubing in the hard-drawn condition and soft copper tubing in sizes ½” to 1¼”.

Features:

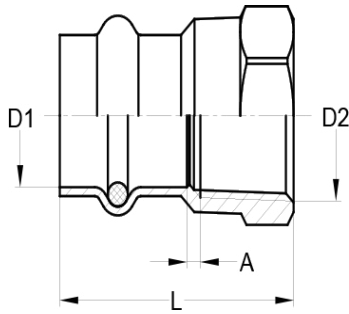
- **Visual Indicator Press Ring (VIPR)** – facilitates immediate identification of un-pressed connections
- **Leak Before Press** – in addition to the VIPR, valve incorporates four path LBP technology, guaranteeing a visual indication if not pressed
- **Permanent Application Marking** – imprinted on fitting body for quick H₂O or gas application identification
- **Lead Free Construction** – fully compliant with current lead-free laws
- **Copper Ends** - protect against dezincification and stress corrosion cracking

Operational Parameters: Operating / Test Pressure = 300 psi / 600 psi, Temperature Range 0°F - 250°F

Approvals: NSF ANSI/CAN 61, UPC, cUPC, IPC, IAPMO PS-117, ICC-ES-PMG, ASME B16.51



Item Number	D1 (in)	D2 (in)	L (in)	A (in)
22600	½”	¾” FPT	1.65	0.85
22610	½”	½” FPT	1.69	0.89
22620	½”	¾” FPT	1.77	0.96
22630	¾”	½” FPT	2.05	1.10
22640	¾”	¾” FPT	1.89	0.94



Item Number	D1 (in)	D2 (in)	L (in)	A (in)
22650	1"	½" FPT	2.05	1.10
22660	1"	¾" FPT	2.13	1.18
22670	1"	1" FPT	1.93	0.98
22680	1"	1¼" FPT	1.97	1.02
22690	1¼"	1" FPT	2.09	1.14
22700	1¼"	1¼" FPT	2.20	1.06
22710	1¼"	1½" FPT	2.20	1.06
22720	1½"	1¼" FPT	2.28	1.14
22730	1½"	1½" FPT	2.70	1.24
22740	2"	2" FPT	2.64	1.18