



<b>Job Name</b>	
<b>Job Location</b>	
<b>P.O.#</b>	
<b>Engineer</b>	
<b>Contractor</b>	
<b>Wholesaler</b>	
<b>CopperPress® Rep</b>	

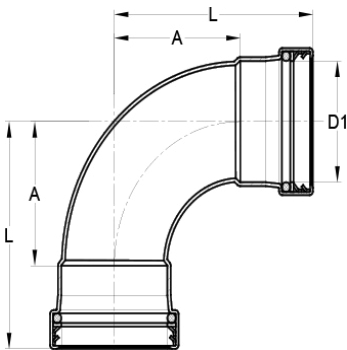
**Description:** CopperPress® XL Press 90° Elbow is available in sizes 2½” – 4” and is made of lead-free dezincification resistant copper with an EPDM or HNBR o-ring. Fittings are designed to be used with ASTM B88 Type K, L and M copper tubing in the hard-drawn condition.

**Features:**

- **Visual Indicator Press Ring (VIPR)** – facilitates immediate identification of un-pressed connections
- **Leak Before Press** – in addition to the VIPR, valve incorporates four path LBP technology, guaranteeing a visual indication if not pressed
- **Permanent Application Marking** – imprinted on fitting body for quick H<sub>2</sub>O or gas application identification
- **Lead Free Construction** – fully compliant with current lead-free laws
- **Copper Ends** - protect against dezincification and stress corrosion cracking

**Operational Parameters:** Operating / Test Pressure = 300 psi / 600 psi, Temperature Range 0°F - 250°F

**Approvals:** NSF ANSI/CAN 61, UPC, cUPC, IPC, IAPMO PS-117, ICC-ES-PMG, ASME B16.51



Item Number	D1 (in)	L (in)	A (in)
22110	2½”	4.84	3.11
22120	3”	5.71	3.70
22130	4”	7.17	4.76