



Job Name	
Job Location	
P.O.#	
Engineer	
Contractor	
Wholesaler	
CopperPress® Rep	

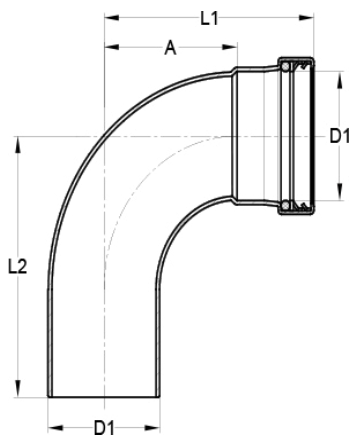
Description: CopperPress® XL Press 90° Street Elbow is available in sizes 2½” – 4” and is made of lead-free dezincification resistant copper with an EPDM or HNBR o-ring. Fittings are designed to be used with ASTM B88 Type K, L and M copper tubing in the hard-drawn condition.

Features:

- **Visual Indicator Press Ring (VIPR)** – facilitates immediate identification of un-pressed connections
- **Leak Before Press** – in addition to the VIPR, valve incorporates four path LBP technology, guaranteeing a visual indication if not pressed
- **Permanent Application Marking** – imprinted on fitting body for quick H₂O or gas application identification
- **Lead Free Construction** – fully compliant with current lead-free laws
- **Copper Ends** - protect against dezincification and stress corrosion cracking

Operational Parameters: Operating / Test Pressure = 300 psi / 600 psi, Temperature Range 0°F - 250°F

Approvals: NSF ANSI/CAN 61, UPC, cUPC, IPC, IAPMO PS-117, ICC-ES-PMG, ASME B16.51



Item Number	D1 (in)	L (in)	A (in)	L2 (in)
22140	2½”	4.69	2.95	5.16
22150	3”	5.55	3.54	6.06
22160	4”	7.17	4.76	7.64