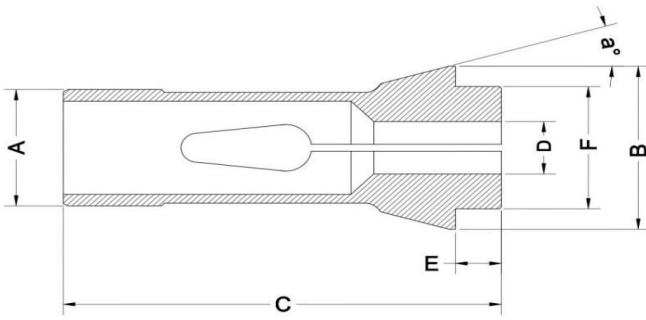


Collets / Pinces / Spannzangen / Pinze

F-Type Collet (Straight Sliding Face)



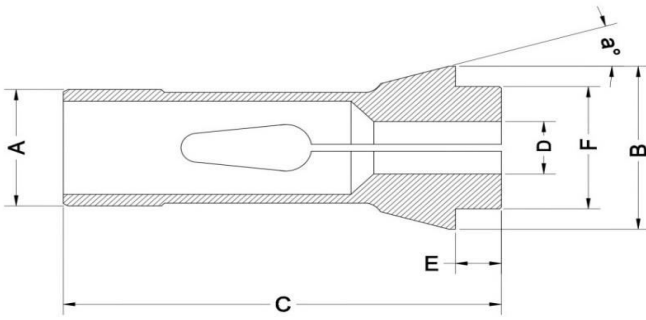
All Dimension are in mm - Unless Otherwise Specified

Capacity

Part Nr.	Sliding Dia	Angular Dia	Total Length	Front Extension Length	Front Extension Dia	Angle	Capacity		
							Round	Hexagon	Square
	ΦA	ΦB	C	E	ΦF	α°			
7-66	7	10.7	26	2.9	7	15°	4.5	3	3
7-206	7	10.5	26	3	7	15°	4.5	3	3
8-577	8	12	42	4.5	8	16°	5.5	4	3
8-1079	8	12	41	3.5	8	16°	4.5	3	3
10-86	10	15.5	47.5	5.5	10	20°	7	5	4
10-1178	10	16	46	4	10	20°	7	5	4
10-9054	10	16	47	5	10	20°	7	6	5
10-9096	10	15	43	5	10	15°	6.5	5	4
12-78	12	18.1	44.5	4.3	12	15°	8	6	5
12-578	12	18	64	6	12	16°	8	6	5
13-357	13	19	64	6	13	16°	10	8	7
14-98	14	18	46	4	14	13°	10	8	7
15-358	15	22	47	5	15	20°	10.5	9	7
15-580	15	21	64	6	15	16°	11	9	8
15-9005	15	20	45.5	2.5	15	15°	10	8	7
15-9012	15	21	64	6	17.5	16°	11.5	9	8
16-104	16	22	55	5	16	15°	12	10	8
16-1076	16	21	64	6	16	16°	12	10	8
16-9070	16	21	62	4	16	16°	12	10	8
16-9098	16	21	62	4	16	16°	12	10	8
18-85	18	25	67	7	19.5	15°	14	11	9
20-87	20	28	67	7	21	16°	16	13	11
20-102	20	27.5	60	5	20	15°	16	13	11
20-201	20	26	54	5	19	15°	16	13	11
20-9026	20	26	67	3	19	16°	16	13	11
22-727	22	32	66	7	25	16°	17	15	12
23.8-9020	23.8	28	62	7	22	15°	18	15	12
24-9003	24	28	62	7	22	15°	17	15	12
25-64	25	35	77	10	27	16°	20	17	14

Collets / Pinces / Spannzangen / Pinze

F-Type Collet (Straight Sliding Face)



All Dimension are in mm - Unless Otherwise Specified

Capacity

Part Nr.	Sliding Dia	Angular Dia	Total Length	Front Extension Length	Front Extension Dia	Angle	Capacity		
	ΦA	ΦB		E	ΦF		α°	Round	Hexagon
25-91	25	34	65	6	25	15°	20	17	14
25-9015	25	35	85	18	27	16°	20	17	14
25-9091	25	35	72	5	27	16°	20	17	14
26-90	26	32	67	7	27.5	13°	20.5	17	14
26-9021	26	36	67	7	28	15°	20.5	17	14
27-22	27	38	72.7	8	30	15°	23	19	16
28-93	28	38	70	7	28	15°	23	19	16
28-9004	28	35	77	10	27.5	16°	22.5	19	16
30-63	30	42	80	10	34	16°	25	21	17
30-101	30	38	65	6	32	15°	25	21	17
30-9044	30	42	80	12	32	16°	25	22	18
30-9066	30	42	78	10	32	16°	25	22	18
32-1023	32	40	65	6	34	15°	26	22	18
33-9043	33	40	80	12	32	16°	28	24	20
37-740	37	47	92	10	40	16°	32	27	22
40-9074	40	50	92	10	43	16°	35	30	24
44-9082	44	52	92	10	44	16°30'	38	32	27
44.4-9061	44.4	54.5	64	8.5	42	15°	37	31	26