

2018 Product Catalog



(844)-897-4002



Our conveniently located warehouse has millions of dollars in popular LED indoor and outdoor lights in stock and ready to quickly ship.

- **Value engineered lighting design**
- **Quick connect light fixtures**
- **No hassle warranties**
- **All lighting types needed to stock your truck**
- **Quick turnaround of lighting schedules & layouts**
- **Lighting products eligible for local energy company rebates**

LED Multi-Purpose Area Light

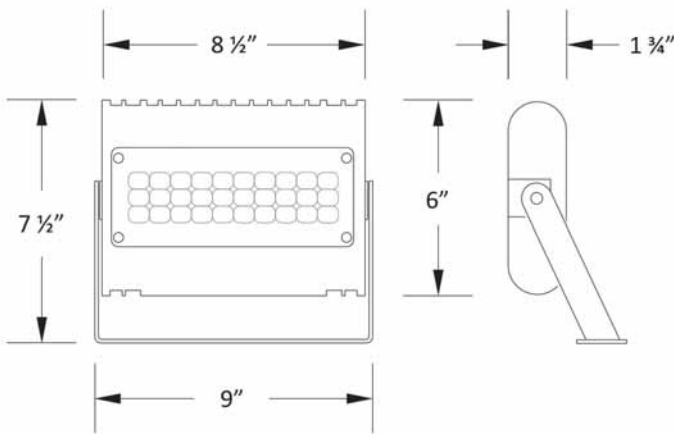
DLC Model# PQE563AN



Architectural bronze LED Area Light is designed for a more cost effective solution for illuminating loading docks, parking areas, pathways, doorways and a wide range of other general large site lighting.

- Durable die-cast aluminum housing with dark bronze powder coat finish
- 69,000 hour life rating
- Tested to UL1598, UL8750 & IEC60598 safety norms
- Heat-resistant polycarbonate optical lens
- 120-277 Multi-Volt
- UL/cUL Listed for wet locations
- Sealed and gasketed wireway enclosure provides a water-tight seal
- DLC 4.2
- **5-Year Warranty**

Custom options available by special request



Knuckle Mount



Yoke Mount



MODEL	WATTAGE	INPUT VOLTAGE	INITIAL LUMENS	LUMENS / WATT	LIFE HOURS	CRI	DIMENSIONS
EG-LEDMPAL50W-KM-3K	50	120-277 VAC	5882	118	69,000	≥ 80	8½" x 6" x 1¼"
EG-LEDMPAL50W-YM-4K	50	120-277 VAC	6031	121	69,000	≥ 80	8½" x 6" x 1¼"
EG-LEDMPAL50W-YM-5K	50	120-277 VAC	6179	124	69,000	≥ 80	8½" x 6" x 1¼"

LED Multi-Purpose Area Light

DLC Model# PD8WMBE2

Architectural bronze LED Area Light is designed for a more cost effective solution for illuminating loading docks, parking areas, pathways, doorways and a wide range of other general large site lighting.

- Durable die-cast aluminum housing with dark bronze powder coat finish
- 69,000 hour life rating
- Tested to UL1598, UL8750 & IEC60598 safety norms
- Heat-resistant polycarbonate optical lens
- 120-277 Multi-Volt
- UL/cUL Listed for wet locations
- Sealed and gasketed wireway enclosure provides a water-tight seal
- DLC 4.2
- **5-Year Warranty**

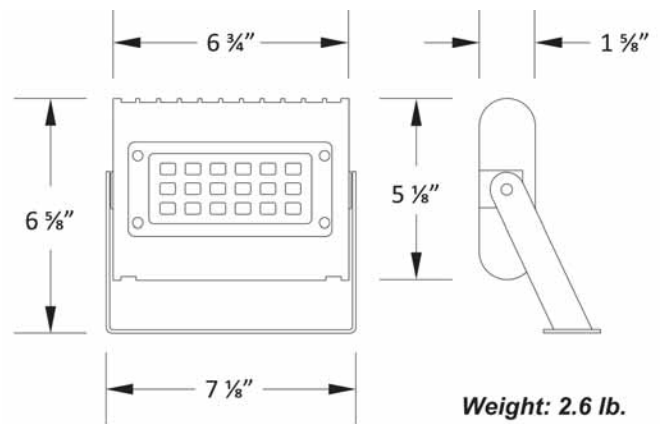
3K and custom options available by special request



Knuckle Mount



Yoke Mount



MODEL	WATTAGE	INPUT VOLTAGE	INITIAL LUMENS	LIFE HOURS	CRI	DIMENSIONS
EG-LEDMPAL30W-YM-5K	30	120-277 VAC	3453	69,000	≥ 80	6¼ x 5½ x 1¼
EG-LEDMPAL30W-KM-4K	30	120-277 VAC	3586	69,000	≥ 80	6¼ x 5½ x 1¼
EG-LEDMPAL30W-KM-5K	30	120-277 VAC	3718	69,000	≥ 80	6¼ x 5½ x 1¼

OUTDOOR: Multi-Purpose Flood

LED Multi-Purpose Area Light

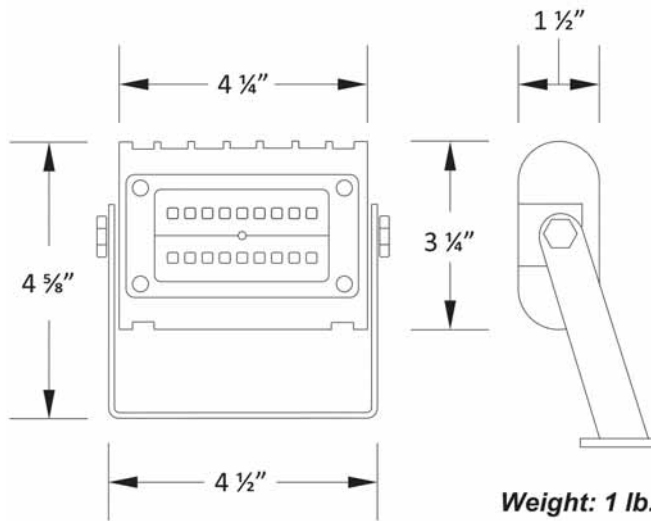
DLC Model# PRPHCP8H



Architectural bronze LED Area Light is designed for a more cost effective solution for illuminating loading docks, parking areas, pathways, doorways and a wide range of other general large site lighting.

- Durable die-cast aluminum housing with dark bronze powder coat finish
- 69,000 hour life rating
- Tested to UL1598, UL8750 & IEC60598 safety norms
- Heat-resistant polycarbonate optical lens
- 120-277 Multi-Volt
- UL/cUL Listed for wet locations
- Sealed and gasketed wireway enclosure provides a water-tight seal
- DLC 4.2
- **5-Year Warranty**

3K and custom options available by special request



Knuckle Mount



Yoke Mount



MODEL	WATTAGE	COLOR TEMPERATURE	INITIAL LUMENS	LUMENS / WATT	LIFE HOURS	CRI	DIMENSIONS
EG-LEDMPAL15W-YM-5K	15	5000K	1570	105	69,000	≥ 80	4 5/8" x 3 1/4" x 1 1/2"
EG-LEDMPAL15W-KM-4K	15	4000K	1615	108	69,000	≥ 80	4 5/8" x 3 1/4" x 1 1/2"
EG-LEDMPAL15W-KM-5K	15	5000K	1667	111	69,000	≥ 80	4 5/8" x 3 1/4" x 1 1/2"

LED 80 & 100 Watt Multi-Purpose Area Light

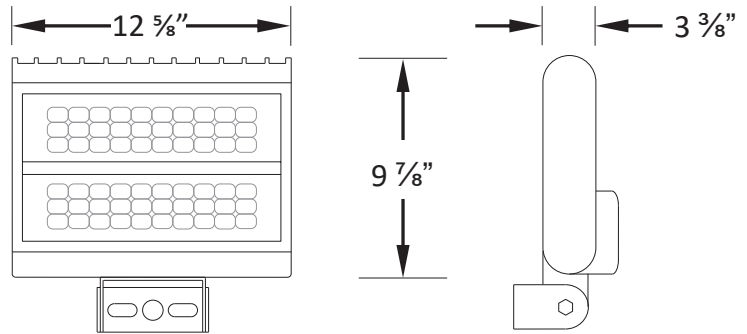
DLC Model# PN1HUT3E

A more cost effective outdoor lighting solution, our architectural LED bronze area light is the perfect solution for lighting parking areas, loading docks, doorways and many other outdoor general lighting applications.

- Durable die-cast aluminum housing with dark bronze powder coat finish
- 65,000 hour life rating (80 W=69,000 Life Hours)
- Tested to UL1598, UL8750 & IEC60598 safety norms
- Heat-resistant polycarbonate optical lens
- 120-480* Multi-Volt
- UL/cUL Listed for wet locations
- Sealed and gasketed wireway enclosure provides a water-tight seal
- DLC 4.2
- **5 Year Warranty**

Type-3 Optics, Housing and custom options available by special request

*100 WATT ONLY



Steel Arm Mount Option



Slip-Fitter Mount Option



Yoke Mount Option



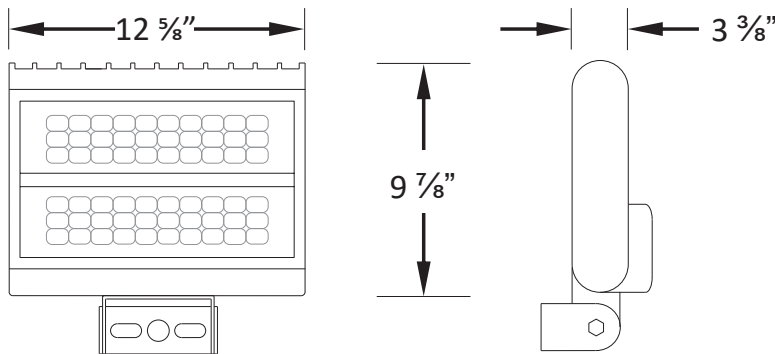
MODEL	MOUNTING TYPE	LUMINAIRE WATTS	INPUT VOLTAGE	COLOR TEMP.	DISTRIBUTION TYPE**	LUMINAIRE LUMENS	LUMENS / WATT	OPTIONS* (ORDER SEPARATELY)
EG-LEDMPAL80W	T = Trunnion Y = Yoke	80	120-277 120-277	4K = 4000k 5K = 5000k	T3 = Type III T3 = Type III	10,307 10,542	116 129	
EG-LEDMPAL100	T = Trunnion Y = Yoke	100	120-277 120-277 120-277 120-277 120-277 120-277 277-480 277-480 277-480 277-480	3K = 3000k 4K = 4000k 5K = 5000k 3K = 3000k 4K = 4000k 5K = 5000k 4K = 4000k 5K = 5000k 4K = 4000k 5K = 5000k	T3 = Type III T3 = Type III T3 = Type III Type V Type V Type V T3 = Type III T3 = Type III Type V Type V***	11,423 11,614 12,543 12,158 12,105 12,353 12,368 12,368 12,354 12,507	114 116 125 122 121 124 124 124 124 125	EG-LEDMPAL-SF-80/300 = Slip-Fitter Mount EG-LEDMPAL-A-80/300 = Steel Arm Mount MPAL80/100/150-FGS = Full Glare Shield MPAL80/100/150-HGS = Half Glare Shield MPAL80/100/150-WG = Wire Guard

LED 150 Watt Multi-Purpose Area Light

DLC Model# PN1HUT3E



Shown with Optional Yoke Mount



A more cost effective outdoor lighting solution, our architectural LED bronze area light is the perfect solution for lighting parking areas, loading docks, doorways and many other outdoor general lighting applications.

- Durable die-cast aluminum housing with dark bronze powder coat finish
- 58,000 hour life rating
- 97+ Lumens / Watt efficacy
- Tested to UL1598, UL8750 & IEC60598 safety norms
- Heat-resistant polycarbonate optical lens
- 120-480 Multi-Volt
- UL/cUL Listed for wet locations
- Sealed and gasketed wireway enclosure provides a water-tight seal
- DLC 4.2
- **5 Year Warranty**

Type-3 Optics, Housing and custom options available by special request



Steel Arm Mount Option



Slip-Fitter Mount Option



Yoke Mount Option



MODEL	MOUNTING TYPE	LUMINAIRE WATTS	INPUT VOLTAGE	COLOR TEMP.	DISTRIBUTION TYPE**	LUMINAIRE LUMENS	LUMENS / WATT	OPTIONS* (ORDER SEPARATELY)	
EG-LEDMPAL150	T = Trunnion* Y = Yoke	153	120-277	3K = 3000k	T3 = Type III	16,695	109	EG-LEDMPAL- PAL-SF-80/300 = Slip-Fitter Mount EG-LEDMPAL-A-80/300 = Steel Arm Mount MPAL80/100/150-FGS = Full Glare Shield MPAL80/100/150-HGS = Half Glare Shield MPAL80/100/150-WG = Wire Guard	
			120-277	4K = 4000k	T3 = Type III	18,303	120		
			120-277	5K = 5000k	T3 = Type III	18,303	120		
		120-277	3K = 3000k	Type V	19,887	130			
		120-277	4K = 4000k	Type V	18,486	121			
		120-277	5K = 5000k	Type V	18,752	123			
	146		120-277	277-480	4K = 4000k	T3 = Type III	17,517		120
				277-480	5K = 5000k	T3 = Type III	17,919		123
				277-480	4K = 4000k	Type V	17,972		123
			277-480	5K = 5000k	Type V***	18,167	124		

LED 220W Multi-Purpose Area Light

DLC Model# PH3JZ3N8

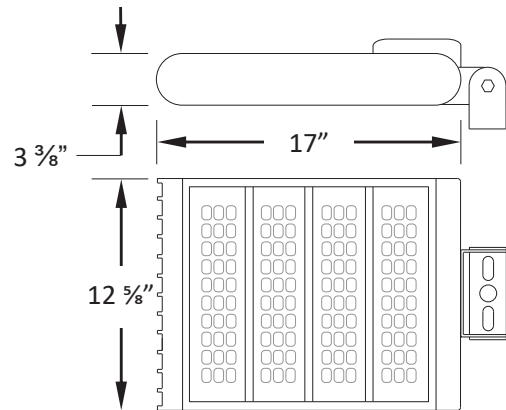
A more cost effective outdoor lighting solution, our architectural LED bronze light is the perfect solution for lighting parking areas, loading docks, doorways and many other outdoor general lighting applications.

- Durable die-cast aluminum housing with dark bronze powder coat finish
- 58,000 hour life rating, 57,000 life rating (300W)
- Tested to UL1598, UL8750 & IEC60598 safety norms
- Heat-resistant polycarbonate optical lens
- 120-277 Multi-Volt
- UL/cUL Listed for wet locations
- Sealed and gasketed wireway enclosure provides a water-tight seal
- DLC 4.2
- **5 Year Warranty**

Type-3 Optics, Housing and custom options available by special request



Shown with Optional Yoke Mount



Steel Arm Mount Option



Slip-Fitter Mount Option



Yoke Mount Option



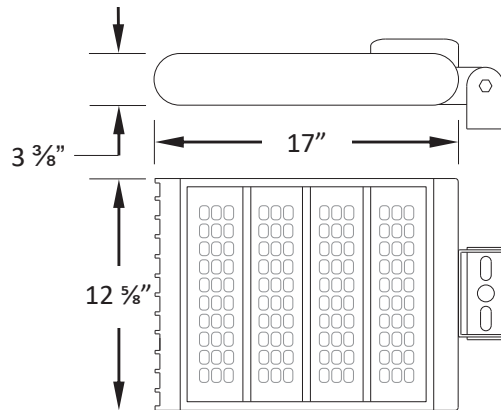
MODEL	MOUNTING TYPE	LUMINAIRE WATTS	INPUT VOLTAGE	COLOR TEMP.	DISTRIBUTION TYPE**	LUMINAIRE LUMENS	LUMENS / WATT	OPTIONS* (ORDER SEPARATELY)
EG-LEDMPAL220	T = Trunnion* Y = Yoke	220	120-277	3K = 3000k	T3 = Type III	24,235	110	EG-LED-LPAL-SF = Slip-Fitter Mount
			120-277	4K = 4000k	T3 = Type III	27,536	125	EG-LED-LPAL-ARM = Steel Arm Mount
			120-277	5K = 5000k	T3 = Type III	27,536	125	EG-MPAL220/300-FGS = Full Glare Shield
			120-277	3K = 3000k	Type V	21,495	98	EG-MPAL220/300-HGS = Half Glare Shield
			120-277	4K = 4000k	Type V	26,219	119	EG-MPAL220/300-WG = Wire Guard
			120-277	5K = 5000k	Type V	26,731	122	
			277-480	4K = 4000k	T3 = Type III	26,108	119	
			277-480	5K = 5000k	T3 = Type III	25,380	115	
			277-480	4K = 4000k	Type V	27,582	125	
			277-480	5K = 5000k	Type V***	27,943	127	

LED 300 Watt Multi-Purpose Area Light

DLC Model# PH3JZ3N8



Shown with Optional Yoke Mount



A more cost effective outdoor lighting solution, our architectural LED bronze area light is the perfect solution for lighting parking areas, loading docks, doorways and many other outdoor general lighting applications.

- Durable die-cast aluminum housing with dark bronze powder coat finish
- 69,000 hour life rating, 57,000 life rating (300W)
- 97+ Lumens / Watt efficacy
- Tested to UL1598, UL8750 & IEC60598 safety norms
- Heat-resistant polycarbonate optical lens
- 120-277 Multi-Volt
- UL/cUL Listed for wet locations
- Sealed and gasketed wireway enclosure provides a water-tight seal
- DLC 4.2
- **5 Year Warranty**

Type-3 Optics, Housing and custom options available by special request



Steel Arm Mount Option



Slip-Fitter Mount Option



Yoke Mount Option



MODEL	MOUNTING TYPE	LUMINAIRE WATTS	INPUT VOLTAGE	COLOR TEMP.	DISTRIBUTION TYPE**	LUMINAIRE LUMENS	LUMENS / WATT	OPTIONS* (ORDER SEPARATELY)
EG-LEDMPAL300	T = Trunnion* Y = Yoke	304	120-277	3K = 3000k	T3 = Type III	33,719	111	EG-LEDMPAL-SF-MNT = Slip-Fitter Mount EG-LEDMPAL-ARM-MNT = Steel Arm Mount EG-MPAL220/300-FGS = Full Glare Shield EG-MPAL220/300-HGS = Half Glare Shield EG-MPAL220/300-WG = Wire Guard
			120-277	4K = 4000k	T3 = Type III	36,888	121	
			120-277	5K = 5000k	T3 = Type III	36,888	121	
			120-277	3K = 3000k	Type V	30,857	102	
			120-277	4K = 4000k	Type V	37,597	124	
			120-277	5K = 5000k	Type V	38,122	125	
		288	277-480	4K = 4000k	T3 = Type III	36,677	127	
			277-480	5K = 5000k	T3 = Type III	34,678	120	
			277-480	4K = 4000k	Type V	36,235	126	
			277-480	5K = 5000k	Type V***	36,728	128	

OUTDOOR : Multi-Purpose Flood

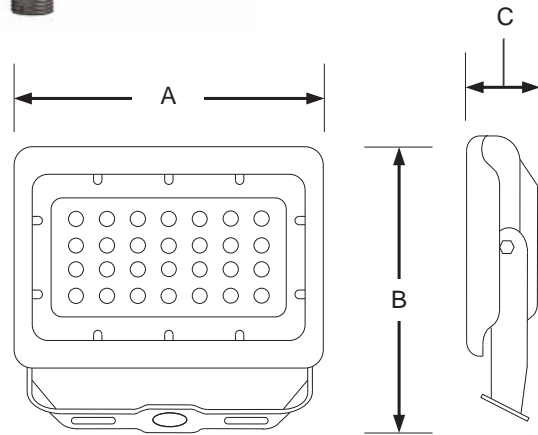
DLC Premium LED Multi-Purpose Area Light

DLC Model#

P46KIVPB	P7LM5QCM	P0S76BJG
P2JN83KJ	PDU4067Y	PM912HWD
P2OCMXPM	PP15QZ74	PMNFJ35D
P46KIVPB	P7LM5QCM	P0S76BJG
P2JN83KJ	PDU4067Y	PM912HWD
P2OCMXPM	PP15QZ74	PMNFJ35D

Our Premium series LED Area Light is designed for a more cost effective solution for illuminating loading docks, parking areas, pathways, doorways and a wide range of other general large site lighting.

- Durable die-cast aluminum housing with dark bronze powder coat finish
- 230,000 hour life rating
- Heat-resistant polycarbonate optical lens
- 120-277 Multi-Volt
- UL/cUL Listed for wet locations
- Sealed and gasketed wireway enclosure provides a water-tight seal
- DLC Premium Approved
- **5-Year Warranty**



Knuckle Mount



Yoke Mount

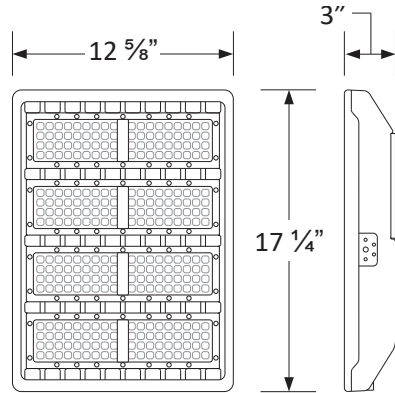
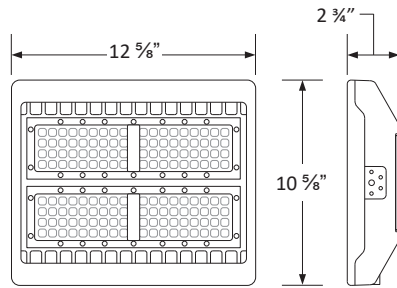
MOUNTING OPTIONS

- Aluminum die-cast knuckle-mount option is installed on a junction box Includes 1/2" NPS stem with locking nut
- Yoke-mount option provides secure attachment to flat surfaces



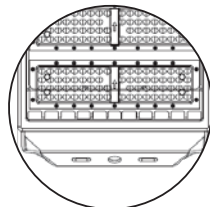
MODEL	WATTAGE	COLOR TEMPERATURE	INITIAL LUMENS	LUMENS / WATT	LIFE HOURS	CRI	DIMENSIONS (AxBxC)
EG-LEDMPALPRO15-3K	14	3000K	1593	114	230,000	≥ 80	4 3/4" x 5 3/4" x 1 1/2"
EG-LEDMPALPRO15-4K	14	4000K	1603	115	230,000	≥ 80	4 3/4" x 5 3/4" x 1 1/2"
EG-LEDMPALPRO15-5K	14	5000K	1624	116	230,000	≥ 80	4 3/4" x 5 3/4" x 1 1/2"
EG-LEDMPALPRO30-3K	30	3000K	3404	113	230,000	≥ 80	4 3/4" x 5 3/4" x 1 1/2"
EG-LEDMPALPRO30-4K	30	4000K	3427	114	230,000	≥ 80	4 3/4" x 5 3/4" x 1 1/2"
EG-LEDMPALPRO30-5K	30	5000K	3432	114	230,000	≥ 80	4 3/4" x 5 3/4" x 1 1/2"
EG-LEDMPALPRO50-3K	49	3000K	5717	117	230,000	≥ 80	8 1/2" x 8" x 1 1/8"
EG-LEDMPALPRO50-4K	49	4000K	5778	118	230,000	≥ 80	8 1/2" x 8" x 1 1/8"
EG-LEDMPALPRO50-5K	49	5000K	5793	118	230,000	≥ 80	8 1/2" x 8" x 1 1/8"

DLC Premium LED Multi-Purpose Area Light

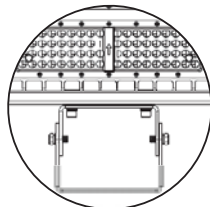


Our Premium series LED Area Light is designed for a more cost effective solution for illuminating loading docks, parking areas, pathways, doorways and a wide range of other general large site lighting.

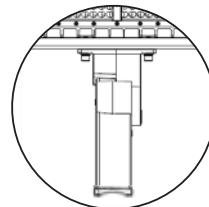
- Durable die-cast aluminum housing with dark bronze powder coat finish
- 372,000 hour life rating
- Heat-resistant polycarbonate optical lens
- 120-277 Multi-Volt
- UL/cUL Listed for wet locations
- Sealed and gasketed wireway enclosure provides a water-tight seal
- DLC Premium Approved
- **5-Year Warranty**



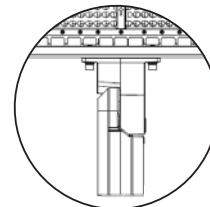
Yoke
Mount Option



Trunnion
Mount Option



Adjustable Arm
Mount Option



Slip-fitter
Mount Option



MODEL	WATTS	LUMENS	LUMENS / WATT	COLOR TEMPERATURE	CRI	DIMENSIONS (AxB)
EG-LEDMPALPRO-80	80	9,816	123	4000K	≥ 80	12 5/8" x 10 5/8" x 2 3/4"
EG-LEDMPALPRO-80	80	10,008	125	5000K	≥ 80	12 5/8" x 10 5/8" x 2 3/4"
EG-LEDMPALPRO-100	100	11,834	118	4000K	≥ 80	12 5/8" x 10 5/8" x 2 3/4"
EG-LEDMPALPRO-100	100	12,084	121	5000K	≥ 80	12 5/8" x 10 5/8" x 2 3/4"
EG-LEDMPALPRO-140	140	16,438	117	4000K	≥ 80	12 5/8" x 10 5/8" x 2 3/4"
EG-LEDMPALPRO-140	140	16,987	119	5000K	≥ 80	12 5/8" x 10 5/8" x 2 3/4"
EG-LEDMPALPRO-240	231	27,944	231	4000K	≥ 80	12 5/8" x 17 1/4" x 3"
EG-LEDMPALPRO-240	231	28,410	231	5000K	≥ 80	12 5/8" x 17 1/4" x 3"
EG-LEDMPALPRO-280	278	32,546	278	4000K	≥ 80	12 5/8" x 17 1/4" x 3"
EG-LEDMPALPRO-280	278	32,956	278	5000K	≥ 80	12 5/8" x 17 1/4" x 3"

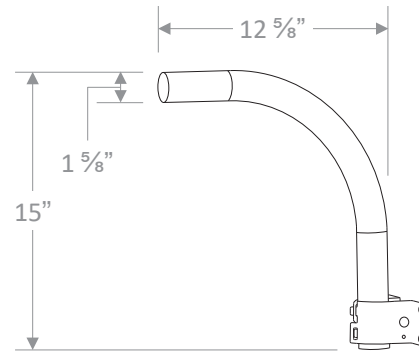
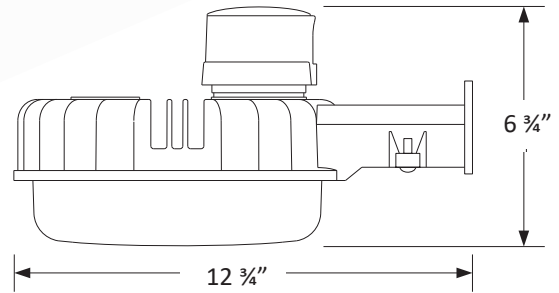
LED Dusk-to-Dawn Light

DLC Model# PLVA92WXO055

The Dusk-to-Dawn light utilizes efficient LED technology to provide a high-lumen light source to flood large outdoor spaces. Popular in agricultural and rural settings, the Dusk-to-Dawn Light can also be used in parking lots and garages, loading docks and other common public areas.



- Durable die cast aluminum housing
- Long life LED chips guaranteed up to 78,000 hours
- Wall mounting back plate bracket standard.
- AC 120-277V.
- Fixture comes pre-wired 120V with photocell installed
- Light sensor photocell responds automatically to decreasing light levels
- Guaranteed five years from the purchase date of the product, against mechanical defects in manufacturing.
- DLC 4.2
- cULus listed for damp locations (-20°C — +40°C).



LED-DDALSN-ARM = Mounting Arm with



MODEL	WATTAGE	COLOR TEMPERATURE	INITIAL LUMENS	LUMENS / WATT	LIFE HOURS	CRI	DIMENSIONS
EG-LED-DDALSN35W	35	5000k	4269	122	78,000	≥ 80	12¾ x 6¾
EG-LED-DDALSN55W	53	5000k	6703	126	78,000	≥ 80	12¾ x 6¾

OUTDOOR: Multi-Purpose Flood

40-80 Watt LED Wall Pack

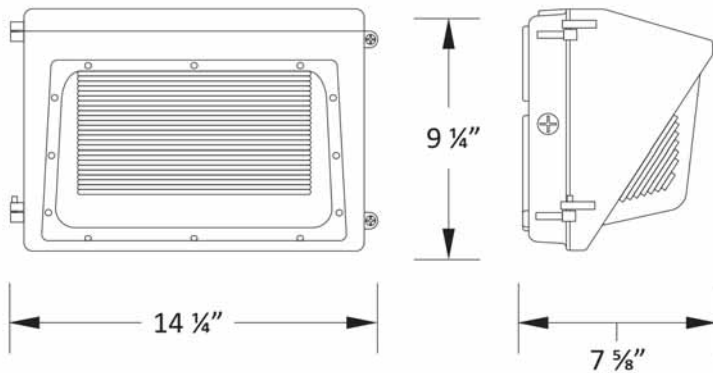
DLC Model# PJSZZCPW

Vandal resistant polycarbonate lens with a dark bronze finish. LED Wall Packs add light where it is needed for a more secure environment. Durable, rugged LED wall packs are perfect for outdoor perimeter or area lighting and feature a wide lateral spacing.

Long-life and high efficacy LEDs provide significant energy and maintenance savings.



Sealed & Gasketed
Polycarbonate
Lens Cover



- Durable die-cast aluminum housing with dark bronze powder coat finish
- 216,000 hour life rating
- Tested to UL1598, UL8750 & IEC60598 safety norms
- 120-277 Multi-Volt
- UL/cUL Listed for wet locations
- DLC 4.2
- Sealed and gasketed wireway enclosure provides a water-tight seal
- **5-Year Warranty**



Die-Cast Aluminum
Housing



Photocell Attachment
(sold separately)



MODEL	WATTAGE	COLOR TEMPERATURE	INITIAL LUMENS	LUMENS / WATT	LIFE HOURS	CRI	DIMENSIONS
EG-LEDWP40SN-3K	41	3000K	4734	115	216,000	≥ 80	14¼ x 7¾ x 9¼
EG-LEDWP40SN-4K	41	4000K	4751	116	216,000	≥ 80	14¼ x 7¾ x 9¼
EG-LEDWP40SN-5K	41	5000K	4817	117	216,000	≥ 80	14¼ x 7¾ x 9¼
EG-LEDWP60SN-3K	61	3000K	6983	114	216,000	≥ 80	14¼ x 7¾ x 9¼
EG-LEDWP60SN-4K	61	4000K	7052	116	216,000	≥ 80	14¼ x 7¾ x 9¼
EG-LEDWP60SN-5K	61	5000K	7052	116	216,000	≥ 80	14¼ x 7¾ x 9¼
EG-LEDWP80SN-3K	80	3000K	9768	122	216,000	≥ 80	14¼ x 7¾ x 9¼
EG-LEDWP80SN-4K	80	4000K	9885	124	216,000	≥ 80	14¼ x 7¾ x 9¼
EG-LEDWP80SN-5K	80	5000K	9885	124	216,000	≥ 80	14¼ x 7¾ x 9¼

100-120 Watt LED Wall Pack

DLC Model# P7MQZ3E7

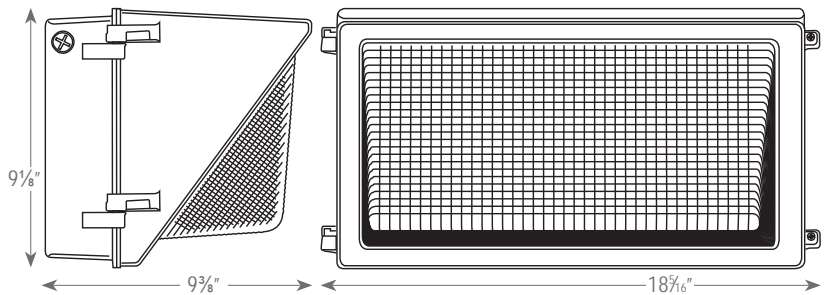
Vandal resistant polycarbonate lens with a dark bronze finish. LED Wall Packs add light where it is needed for a more secure environment. Durable, rugged LED wall packs are perfect for outdoor perimeter or area lighting and feature a wide lateral spacing.

Long-life and high efficacy LEDs provide significant energy and maintenance savings.

- Durable die-cast aluminum housing with dark bronze powder coat finish
- 216,000 hour life rating
- Tested to UL1598, UL8750 & IEC60598 safety norms
- 120-277 Multi-Volt
- UL/cUL Listed for wet locations
- DLC 4.2
- Sealed and gasketed wireway enclosure provides a water-tight seal
- **5-Year Warranty**



Sealed & Gasketed Polycarbonate Lens Cover



Die-Cast Aluminum Housing



Photocell Attachment (sold separately)



MODEL	WATTAGE	COLOR TEMPERATURE	INITIAL LUMENS	LUMENS / WATT	LIFE HOURS	CRI	DIMENSIONS
EG-LEDWP100SN-3K	102	3000K	11967	117	216,000	≥ 80	9 1/8" x 18 1/4" x 9 1/8"
EG-LEDWP100SN-4K	102	4000K	12159	119	216,000	≥ 80	9 1/8" x 18 1/4" x 9 1/8"
EG-LEDWP100SN-5K	102	5000K	12350	121	216,000	≥ 80	9 1/8" x 18 1/4" x 9 1/8"
EG-LEDWP120SN-3K	111	3000K	13213	119	216,000	≥ 80	9 1/8" x 18 1/4" x 9 1/8"
EG-LEDWP120SN-4K	111	4000K	13598	122	216,000	≥ 80	9 1/8" x 18 1/4" x 9 1/8"
EG-LEDWP120SN-5K	111	5000K	13966	126	216,000	≥ 80	9 1/8" x 18 1/4" x 9 1/8"

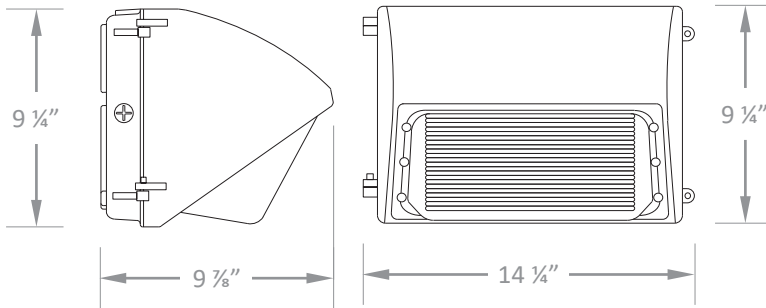
DLC Premium LED Wall Pack

DLC Model# PL59SHDWIF7L, PL4WE7ZH2365, PL208Z3ULM8T



The premium Wall Packs are rugged, durable LED wall packs, which are perfect for outdoor perimeter and area lighting. With a die cast aluminum housing and a polycarbonate lens, standing up to many years of punishing environmental conditions. High-efficacy, long-life LEDs provide both energy and maintenance cost savings compared to traditional, HID wall packs.

Long-life and high efficacy LEDs provide significant energy and maintenance savings.



Sealed & Gasketed Polycarbonate Lens Cover



Die-Cast Aluminum Housing



Photocell Attachment (sold separately)

- Durable die-cast aluminum housing with dark bronze powder coat finish
- 141,000 hour life rating
- Tested to UL1598, UL8750 & IEC60598 safety norms
- 120-277 Multi-Volt
- UL/cUL Listed for wet locations
- DLC Premium Approved
- Sealed and gasketed wireway enclosure provides a water-tight seal
- **5-Year Warranty**



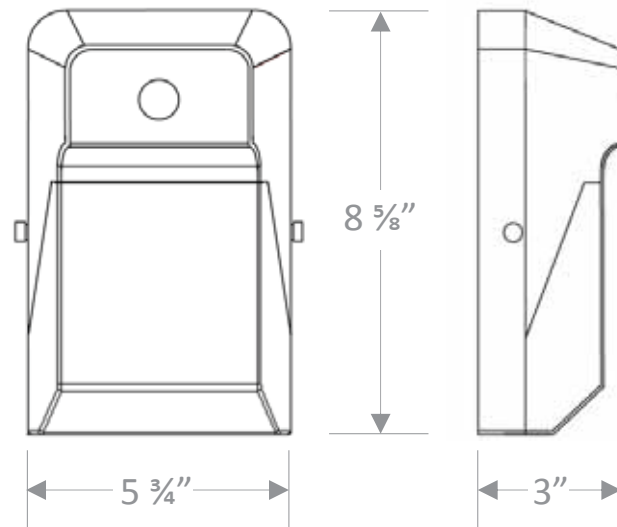
MODEL	LUMINAIRE LUMENS	LUMINAIRE WATTS	LUMENS PER WATT	COLOR TEMPERATURE
EG-LEDWP35SN-PRM	4632	36	129	4K=5000K
EG-LEDWP35SN-PRM	4726	36	131	5K=5000K
EG-LEDWP55SN-PRM	7588	57	133	4K=5000K
EG-LEDWP55SN-PRM	7728	57	136	5K=5000K
EG-LEDWP80SN-PRM	9486	77	123	4K=5000K
EG-LEDWP80SN-PRM	9680	77	126	5K=5000K
EG-LEDWP100SN-PRM	13065	101	129	4K=5000K
EG-LEDWP100SN-PRM	13295	101	132	5K=5000K
EG-LEDWP120SN-PRM	15523	119	130	4K=5000K
EG-LEDWP120SN-PRM	15787	119	133	5K=5000K

Mini Polycarbonate LED Wall Pack

DLC Model# PLH50DUG4FQ4

Wall Pack features a tough polycarbonate lens and attractive dark bronze finish. Adds light where it is needed for a more secure environment. Perfect for outdoor perimeter and area lighting with wide lateral spacing.

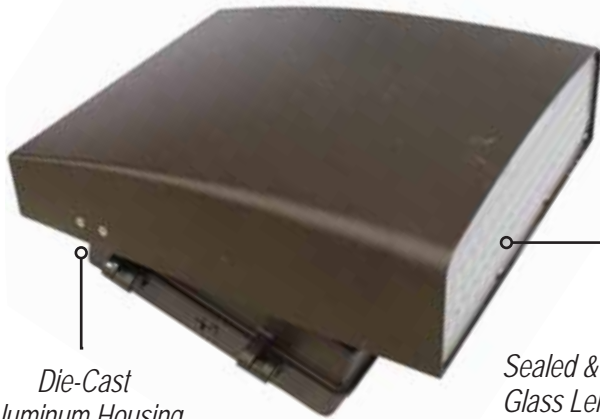
- Durable die-cast aluminum housing with dark bronze powder coat finish
- 63,000 hour life rating
- Tested to UL1598, UL8750 & IEC60598 safety norms
- Sealed & gasketed tempered glass lens cover
- 120-277 Multi-Volt
- UL/cUL Listed for wet locations
- DLC 4.2
- **5-Year Warranty**



MODEL	WATTAGE	COLOR TEMPERATURE	INITIAL LUMENS	LUMENS / WATT	LIFE HOURS	CRI	DIMENSIONS
EG-LEDWPPCSNF	20	4000K	2113	108	63,000	≥ 80	5 3/4" x 8 5/8" x 3"
EG-LEDWPPCSNF	20	5000K	2147	110	63,000	≥ 80	5 3/4" x 8 5/8" x 3"

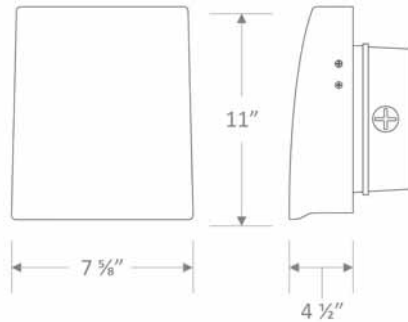
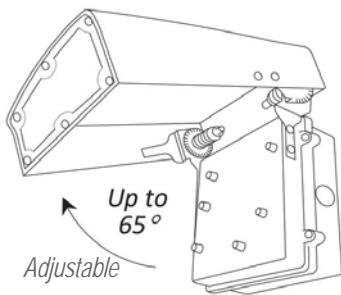
Architectural Versatile Light Fixture

DLC Model# P6THR4TZ



Die-Cast Aluminum Housing

Sealed & Gasketed Glass Lens Cover



Photocell Attachment
(sold separately)



Trunion Mount



Knuckle Mount

Rugged die-cast aluminum construction features a back box with secure lock hinges, stainless steel hardware and a sealed and gasketed optical compartment to make this wall pack impervious to contaminants.

Ideal for pedestrian walkways, entrances, storage facilities, parking areas and schools and loading docks.

- Durable die-cast aluminum housing with dark bronze powder coat finish
- 69,000 hour life rating
- Tested to UL1598, UL8750 & IEC60598 safety norms
- Sealed & gasketed tempered glass lens cover
- 120-277 Multi-Volt
- UL/cUL Listed for wet locations
- DLC 4.2
- **5-Year Warranty**



MODEL	WATTAGE	COLOR TEMPERATURE	INITIAL LUMENS	LUMENS / WATT	LIFE HOURS	CRI	DIMENSIONS
EG-LEDWPCA30W-4K	28	4000K	3239	116	69,000	≥ 80	7 3/4 x 11 x 4 1/2
EG-LEDWPCA30W-5K	28	5000K	3298	118	69,000	≥ 80	7 3/4 x 11 x 4 1/2
EG-LEDWPCA50W-4K	49	4000K	5193	106	69,000	≥ 80	7 3/4 x 11 x 4 1/2
EG-LEDWPCA50W-5K	49	5000K	5287	108	69,000	≥ 80	7 3/4 x 11 x 4 1/2
EG-LEDWPCA80W-4K	80	4000K	9056	113	69,000	≥ 80	7 3/4 x 11 x 4 1/2
EG-LEDWPCA80W-5K	80	5000K	9241	116	69,000	≥ 80	7 3/4 x 11 x 4 1/2
EG-LEDWPCA120W-4K	124	4000K	13796	111	69,000	≥ 80	7 3/4 x 11 x 4 1/2
EG-LEDWPCA120W-5K	124	5000K	14227	115	69,000	≥ 80	7 3/4 x 11 x 4 1/2

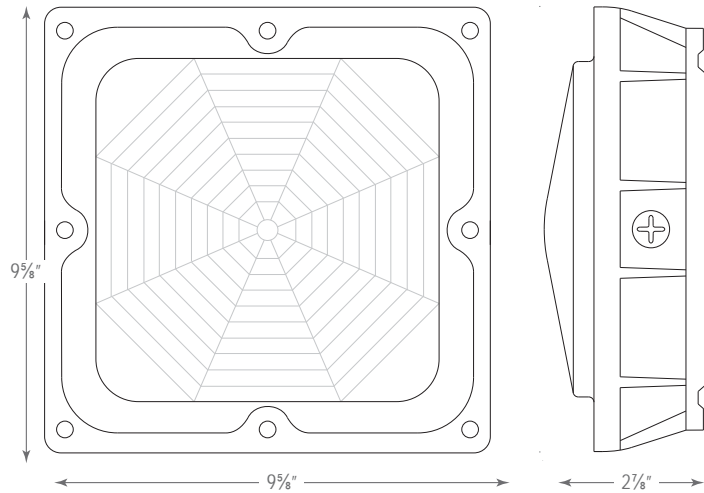
LED Canopy Light

DLC Model# PQHEC8TT

Ideal solution for illuminating parking garages, storage areas, stairwells, and other applications requiring low-profile luminaire that can be surface or pendant-mounted. Durable fixture will stand up to many years of punishing environmental conditions. High-efficacy, long-life LEDs provide both energy and maintenance cost savings compared to traditional canopy lights with HID, fluorescent or incandescent lamps.



- Die cast aluminum housing with durable powder coat paint and polycarbonate lens
- 60,000 hour life rating
- Replaces 150-250 watt fixtures
- Threaded hole on back of luminaire for 3/4" rigid electrical conduit also provides for pendant-mounting
- 120-277 Multi-Volt
- UL/cUL Listed for wet locations
- DLC Listed as parking garage luminaires
- **5-Year Warranty**



Available in White



Photocell Port



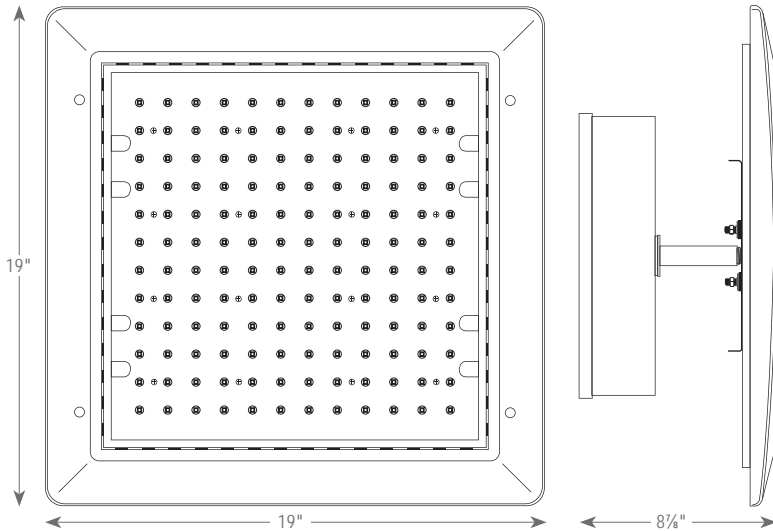
Photocell Attachment (sold separately)



MODEL	WATTAGE	COLOR TEMPERATURE	INITIAL LUMENS	LUMENS / WATT	LIFE HOURS	CRI	DIMENSIONS
EG-CPLED-45W-5K-MV-TH	44	5000K	4948	112	60,000	≥ 80	9 5/8" x 9 5/8" x 2 1/4"
EG-CPLED-80W-5K-MV-TH	80	5000K	9548	120	60,000	≥ 80	9 5/8" x 9 5/8" x 2 1/4"

LED Gas Station Canopy Light

DLC Model# PW8983XX



LED Canopy Lights are specifically designed for petroleum and gas station lighting applications.

These lights provide a bright and clean appearance. They are significantly less expensive to operate than metal-halide light fixtures because of reduced energy costs and virtually eliminated maintenance costs.

UL listed for wet locations make them perfect for outdoor canopy lighting. Having a lightweight, innovative design makes both new installation and retrofit installation quick and easy.

High efficiency LEDs allow for maximum brightness and energy savings.

- Universal 120VAC - 277VAC voltage
- 58,000 Hour rated lamp life
- 100% Driver efficiency
- Power factor: ≥ 0.90
- CRI: > 80
- Die-cast aluminum housing with polycarbonate light cover
- DLC approved
- cULus listed for wet locations (-20°C – 40°C)
- **5-Year Warranty** on all electronics and housing



MODEL	WATTAGE	COLOR TEMPERATURE	INITIAL LUMENS	LUMENS / WATT	CRI
EG-LED-CPY-SM120W-5K	120	5000K	11963	100	≥ 80

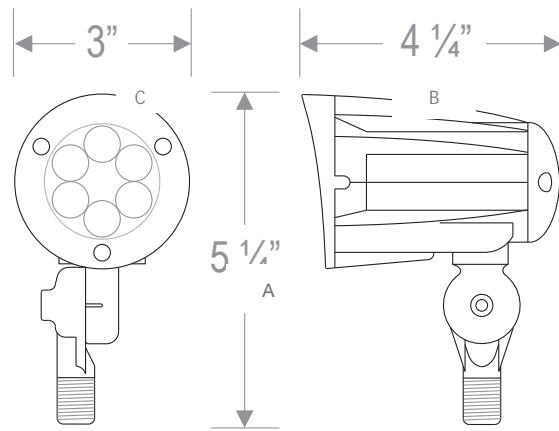
LED Landscape & Security Flood Light

DLC Model# PUXUZU9V

Ideal for general site lighting, landscape, sign and pathway lighting.

Driver is located in isolated compartment for improved thermal management. Fully adjustable 3/4" NPT threaded knuckle. cULus Listed for wet locations.

- Die-cast aluminum housing with durable dark bronze powder coat finish
- Tempered glass lens with seamless silicone gasket
- Universal 100VAC – 277VAC voltage
- 85% Driver efficiency
- Over 69,000 hour rated lamp life
- Power factor: >0.9
- CRI: >80
- Tested to UL1598, UL8750 and IEC60598 safety norms
- DLC approved
- IP65 Rated
- cULus listed for wet locations (-20°C – 40°C).
- **5-Year Warranty** on all electronics and housing



Canopy Mount



Spike Mount



MODEL	WATTAGE	COLOR TEMPERATURE	INITIAL LUMENS	LUMENS / WATT	LIFE HOURS	CRI	DIMENSIONS (AxBxC)
EG-LED-SL15W-3K	15	3000K	1,536	102	69,000	≥ 80	5 1/4" x 4 1/4" x 3"
EG-LED-SL15W-5K	15	5000K	1,700	113	69,000	≥ 80	5 1/4" x 4 1/4" x 3"
EG-LED-SL28W-3K	26	3000K	2,501	86	69,000	≥ 80	7 7/8" x 5 1/4" x 3 3/8"
EG-LED-SL28W-5K	26	5000K	2,501	86	69,000	≥ 80	7 7/8" x 5 1/4" x 3 3/8"
EG-LED-SL42W-3K	39	3000K	4,201	107	69,000	≥ 80	7 7/8" x 5 1/4" x 3 3/8"
EG-LED-SL42W-5K	39	5000K	4,800	122	69,000	≥ 80	7 7/8" x 5 1/4" x 3 3/8"

Photocells



- 1/2" CdS Photocell
- Polycarbonate Enclosure & Eye
- 12" Leads
- Thermal Switch
- Power Consumption: 1.5VA Max.
- Rain Tight For Outdoor Use
- 5/8" - 19 Thread Nipple with Rubber Gasket & Plastic Lock-Nut
- Electrical Life: 6500 Cycles
- On-Off Level: 10-20Lx On(Dusk);
- On-Off Level: 30-60Lx Off(Dawn)
- Ambient Temp: -40°F ~ +158°F
- Relative Humidity: 96%

MODEL	TYPE	VOLTAGE	RATING	LEADS
EG-JL403C	Button	110-130V 2EG-277V	120VAC 240VAC	12" AWG#18 AWM1015 12" AWG#18

- Ballast: 850VA
- Tungsten: 500w



- 1/2" CdS Photocell
- 1/2" Threaded conduit with rubber gasket & zinc alloy lock nut
- Polycarbonate Enclosure & Eye
- Electrical Life: 6500 Cycles
- Rain Tight For Outdoor Use
- 6" Leads
- Swivels 0-200°
- Convenient directional control
- Thermal Switch
- On-Off Level: 10-20Lx On (Dusk);
- On-Off Level: 30-60Lx Off (Dawn)
- Ambient Temp: -40°F ~ +158°F
- Relative Humidity: 96%
- Power Consumption: 1.5VA Max.

MODEL	TYPE	VOLTAGE	RATING	LEADS
EG-JL404C	Pencil	110-130V 2EG-277V	120VAC 240VAC	6" AWG#16 AWM3321; 150°C 6" AWG#16 AWM3321; 150°C

- Ballast: 1100VA
- Tungsten: 1800w



- 1/2" CdS Photocell
- 1/2" Threaded conduit with rubber gasket & zinc alloy lock nut
- Polycarbonate Enclosure & Eye
- Electrical Life: 6500 Cycles
- Rain Tight For Outdoor Use
- 6" Leads
- Swivels 0-200°
- Convenient directional control
- Thermal Switch
- On-Off Level: 10-20Lx On (Dusk);
- On-Off Level: 30-60Lx Off (Dawn)
- Ambient Temp: -40°F ~ +158°F
- Relative Humidity: 96%
- Power Consumption: 1.5VA Max.

MODEL	TYPE	VOLTAGE	RATING	LEADS
EG-SWPC-120V	Swivel	110-130V	120VAC	6" AWG#16 AWM3321; 150°C
EG-SWPC-277V	Swivel	2EG-277V	240VAC	6" AWG#16 AWM3321; 150°C

- Ballast: 1100VA
- Tungsten: 1800w

Low Profile Dedicated LED High Bay

DLC Model# LEDHB100-4K-MVDIM-4K

High efficiency I-Beam style high bay fixture engineered for premium performance. Precision-formed enhanced white reflector is designed to achieve maximum light output for ceilings from 15' to 40'. Replaces fluorescent and traditional HID high bays while using up to 50% less energy. Surface, pendant, chain, or stem mounting systems are available. Ideally suited for warehouses, manufacturing plants, sports facilities and retail spaces.

22 gauge pre-painted steel housing with air vents to maximize LED and driver performance, reliability and life. Highly efficient, computer designed white reflectors maximize photometric performance and put the light where you need it. Back access plate for fast, hassle-free wiring. Built-in mounting holes for tong hangers, cable kit, or surface mounting.

- 22 Gauge White Steel Vented Housing
- Environmentally Friendly - Mercury Free
- Rated at 122,000 hrs of L₇₀ Life
- High Power Factor
- **5-Year Limited Warranty**



Chain Mount Accessories Included



Diffuser Lens



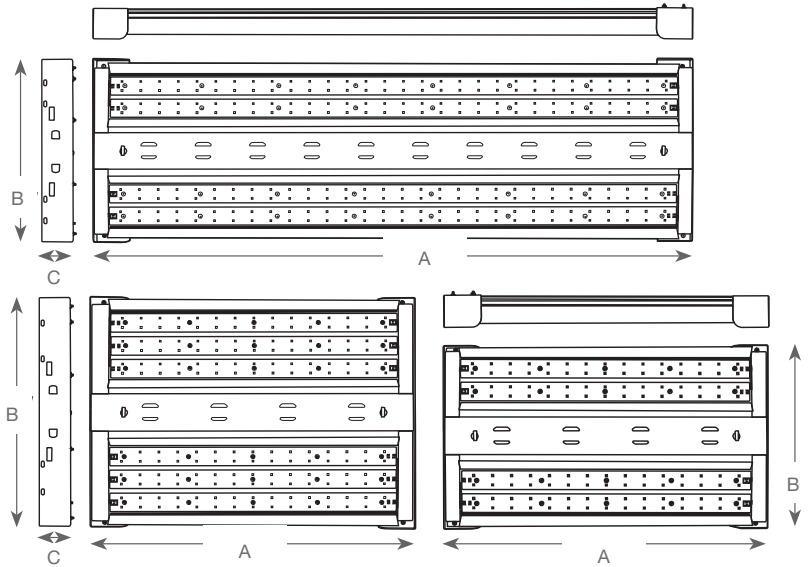
Pendant Mount



Wire Guard



Motion Sensor



MODEL	DIMMING	COLOR TEMPERATURE	WATTAGE/LUMENS		LUMENS / WATT	DRIVER		OPTIONS	SIZE (AxBxC)
EG-LEDHB100-4K-MVDIM	0-10V	4000K	100	13,910 Lumens	139	MV	120-277V	LEDHBPBK = Pendant-mounting kit	21½" x 16½" x 1½"
EG-LEDHB100-5K-MVDIM	0-10V	5000K	100	13,910 Lumens	139	DMV	120-277V	LEDHB160/200-LENS = Diffused Lens Assembly	21½" x 16½" x 1½"
EG-LEDHB160-4K-MVDIM	0-10V	4000K	160	22,256 Lumens	139	MV	120-277V	LEDHB160/200-WG = Steel wire guard, white	43" x 16½" x 1½"
EG-LEDHB160-5K-MVDIM	0-10V	5000K	160	22,256 Lumens	139	DMV	120-277V	LEDFHB-CMK3 = Cable-mounting kit, 3 meters long	43" x 16½" x 1½"
EG-LEDHB200-4K-MVDIM	0-10V	4000K	200	27,820 Lumens	139	MV	120-277V	LEDFHB-CMK5 = Cable-mounting kit, 5 meters long	43" x 16½" x 1½"
EG-LEDHB200-5K-MVDIM	0-10V	5000K	200	27,820 Lumens	139	DMV	120-277V	KTAT-250-480-277/A = 347/480V to 277V transformer, 250W	43" x 16½" x 1½"
								KTAT-375-480-277/A = 347/480V to 277V transformer, 375W	43" x 16½" x 1½"
								BLPSDTX-COVER = Transformer cover box	43" x 16½" x 1½"

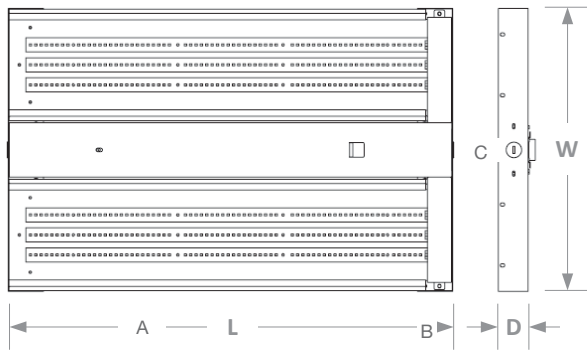
INDOOR : High Bay Fixtures

DLC Premium Dedicated LED High Bay

DLC Model# PLGCJVH7X37S, PL0N7EZEUM5C, PLRLCJICIYVU



Low Profile I-Beam style high bay fixture engineered for premium performance. Precision-formed enhanced white reflector is designed to achieve maximum light output for ceilings from 15' to 40'. Replaces fluorescent and traditional HID high bays while using up to 50% less energy. Surface, pendant, chain, or stem mounting systems are available. Ideally suited for warehouses, manufacturing plants, sports facilities and retail spaces.



22 gauge prepainted steel housing with air vents to maximize LED and driver performance, reliability and life. Highly efficient, computer designed white reflectors maximize photometric performance and put the light where you need it. Back access plate for fast, hassle-free wiring. Built-in mounting holes for tong hangers, cable kit, or surface mounting.

Options



- 22 Gauge White Steel Vented Housing
- Environmentally Friendly - Mercury Free
- Rated at 109,000 hrs of L₇₀ Life
- High Power Factor
- **5-Year Limited Warranty**

Model	Length	Width	Depth	Weight
100W	24 3/4"	15 3/4"	1 5/8"	7.2 lbs.
150W	24 3/4"	15 3/4"	1 5/8"	8.4 lbs.
200W	47 5/8"	15 3/4"	1 5/8"	13.6 lbs.



SERIES	DIMMING	COLOR TEMPERATURE	WATTAGE/LUMENS		LUMENS / WATT	DRIVER		OPTIONS
EG-LEDHB100-4K-MVDIM10V-WN	0-10V	4000K	100	13634	136	MV	120-277V	LEDHB100/150-LENS-WN = Diffuse lens, 100W/150W
EG-LEDHB100-5K-MVDIM10V-WN	0-10V	5000K	100	13709	137	DMV	120-277V	LEDHB100/150-EG-WN = Wire-guard kit, 100W/150W
EG-LEDHB150-4K-MVDIM10V-WN	0-10V	4000K	150	20482	137	MV	120-277V	LEDHB200-LENS-WN = Diffuse lens, 200W
EG-LEDHB150-5K-MVDIM10V-WN	0-10V	5000K	150	20603	137	DMV	120-277V	LEDHB200-EG-WN = Wire-guard kit, 200W
EG-LEDHB200-4K-MVDIM10V-WN	0-10V	4000K	196	27687	141	MV	120-277V	LEDHB-PMK-WN = Pendant-mount kit
EG-LEDHB200-5K-MVDIM10V-WN	0-10V	5000K	196	27736	142	DMV	120-277V	LEDFHB-CMK3 = Cable-mounting kit, 3 meters LEDFHB-CMK5 = Cable-mounting kit, 5 meters

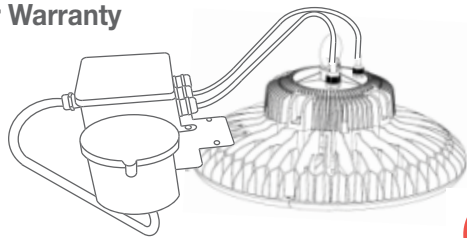
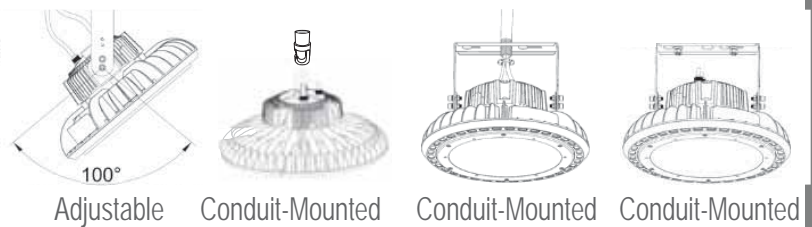
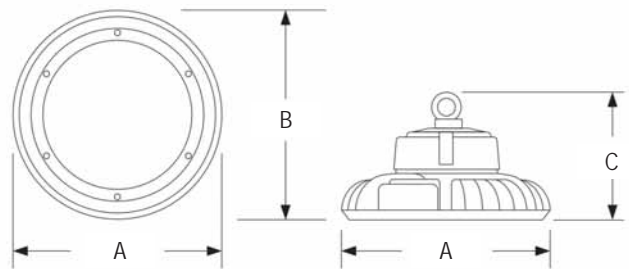
Traditional Round LED High Bay

DLC Model# PLX17HV6RQH2, PL0YYX8YRB76

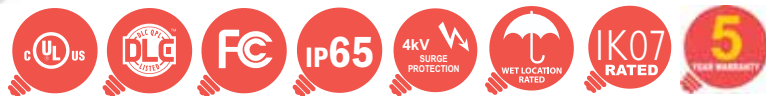
High power LED high bay light in a thin, stylish design. Enhanced design maximizes light output with greater heat dissipation. Heavy duty durable powder coated aluminum housing with polycarbonate lens cover for years of reliable service. Ideally suited for illuminating large areas. High light transmittance polycarbonate optical lens is fire resistant and anti-UV.



- Available in 4000K and 5000k (day bright) color temperatures
- Aluminum LED board provides high conductivity and resists aging
- Waterproof and salt mist resistant
- Rated at 50,000 hours of L70 Life
- IK10 rated for impact resistance for use in gymnasiums and other areas the lighting fixture may come in contact with objects
- ACD12 Aluminum heat sink
- Operating temperature -20°C - 40°C
- cULus Listed for wet locations (-20°C – 40°C).
- Power factor: >0.9
- CRI: >80
- **5-Year Warranty**



Waterproof Junction Box, Mounting Bracket & Merrytek Sensor



MODEL	WATTAGE	COLOR TEMPERATURE	INITIAL LUMENS	LUMENS / WATT	LIFE HOURS	CRI	DIMENSIONS (AxBxC)
EG-LEDHBRNS100	103	4000K	13093	127	80,000	≥ 80	11 ¹³ / ₁₆ " x 11 ¹³ / ₁₆ " x 7 ¹ / ₈ "
EG-LEDHBRNS100	103	5000K	13116	127	80,000	≥ 80	11 ¹³ / ₁₆ " x 11 ¹³ / ₁₆ " x 7 ¹ / ₈ "
EG-LEDHBRNS150	152	4000K	18240	120	80,000	≥ 80	11 ¹³ / ₁₆ " x 11 ¹³ / ₁₆ " x 7 ¹ / ₈ "
EG-LEDHBRNS150	152	5000K	18450	120	80,000	≥ 80	11 ¹³ / ₁₆ " x 11 ¹³ / ₁₆ " x 7 ¹ / ₈ "
EG-LEDHBRNS200	197	4000K	24816	126	81,000	≥ 80	13 ³ / ₄ " x 13 ³ / ₄ " x 7 ¹³ / ₁₆ "
EG-LEDHBRNS200	197	5000K	25042	127	81,000	≥ 80	13 ³ / ₄ " x 13 ³ / ₄ " x 7 ¹³ / ₁₆ "
EG-LEDHBRNS240	238	4000K	29412	124	81,000	≥ 80	13 ³ / ₄ " x 13 ³ / ₄ " x 7 ¹³ / ₁₆ "
EG-LEDHBRNS240	238	5000K	29628	124	81,000	≥ 80	13 ³ / ₄ " x 13 ³ / ₄ " x 7 ¹³ / ₁₆ "

DLC Premium Round LED High Bay

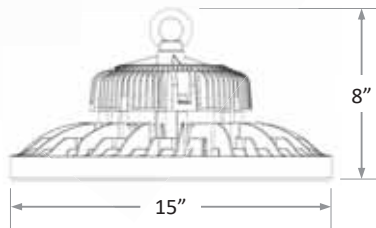
DLC Model# PL5WDO9SHAF3, PLR5L7AX9JN1, PLNEPGWO4SEH, PLFS5MSXMITF



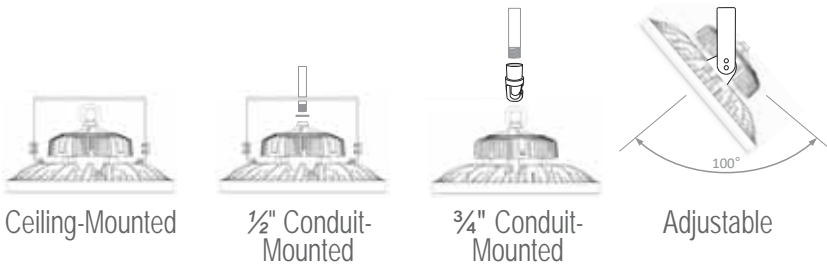
Premium round LED high bay luminaire. It is designed to illuminate a wide variety of settings including commercial, industrial & retail settings such as warehouses, manufacturing plants, sporting venues and big-box retailers. With a die cast aluminum housing and clear glass lens, providing durability and high performance. High-efficacy, long-life LEDs provide both energy and maintenance cost savings compared to traditional, HID high bays.



Shown with optional occupancy sensor



- Aluminum LED board provides high conductivity and resists aging
- Waterproof and salt mist resistant
- Rated at 141,000 hours of L70 Life
- IK10 rated for impact resistance for use in gymnasiums and other areas the lighting fixture may come in contact with objects
- ACD12 Aluminum heat sink
- Operating temperature -20°C - 55°C
- cULus Listed for wet locations (-20°C – 55°C).
- Power factor: >0.9
- CRI: >80
- **5-Year Warranty**



Ceiling-Mounted

1/2" Conduit-Mounted

3/4" Conduit-Mounted

Adjustable



MODEL	COLOR TEMPERATURE	INITIAL LUMENS	LUMINAIRE WATTS	LUMENS / WATT	OPTIONS
EG-LEDHBRN100-PRM	4000K	13961	100	140	
EG-LEDHBRN100-PRM	5000K	13950	100	140	LEDHBRN-PSH-PRM = Snap hook
EG-LEDHBRN150-PRM	4000K	20799	150	139	LEDHBRN-YOKE-PRM = Yoke mount bracket
EG-LEDHBRN150-PRM	5000K	20624	150	137	LEDHBRN-JBOX-PRM = Junction box & mounting bracket
EG-LEDHBRN200-PRM	4000K	27415	200	137	LEDHBRN-OSJBOX-PRM = Merrytek IP65, microwave
EG-LEDHBRN200-PRM	5000K	27169	200	136	occupancy sensor, junction box & mounting bracket
EG-LEDHBRN240-PRM	4000K	32727	239	137	
EG-LEDHBRN240-PRM	5000K	32250	239	135	

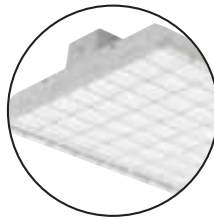
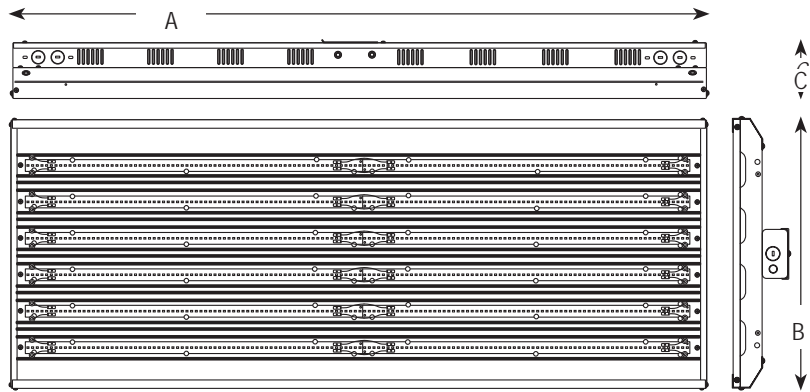
Version 2 LED Full Body High Bay

Full-body, premium-performance LED high bay luminaire designed to illuminate a wide variety of settings, including commercial, industrial & retail spaces, warehouses, manufacturing plants, sporting venues and big-box retailers. A painted steel housing provides durability and high performance. High-efficiency, long-life LEDs provide both energy and maintenance cost savings compared to traditional HID high bays.

- Long-life LEDs provide 121,000 hours of operation with at least 70% of initial lumens output L70
- cULus listed for damp locations -20°C - 50°C
- DLC Premium approved
- 120-277 Multi-Volt
- Complies with FCC Part 15, class B and IEEE C.62.41-1991
- 0-10vdc dimming drivers are standard
- Painted steel housing
- Easy installation in new construction and retrofit
- Chain-mount kits are standard
- Options include lenses (clear & diffused), wire-guard kits, surface-mounting kits, pendant-mounting kits, and cable-mounting kits
- **5-Year Warranty**



Optional Lens Kit Shown
LEDFHB178/180-DIFLENS



Optional Wire Guard Kit
B178/180-WG

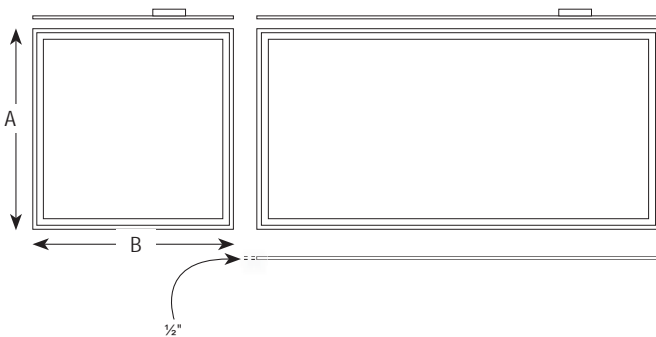
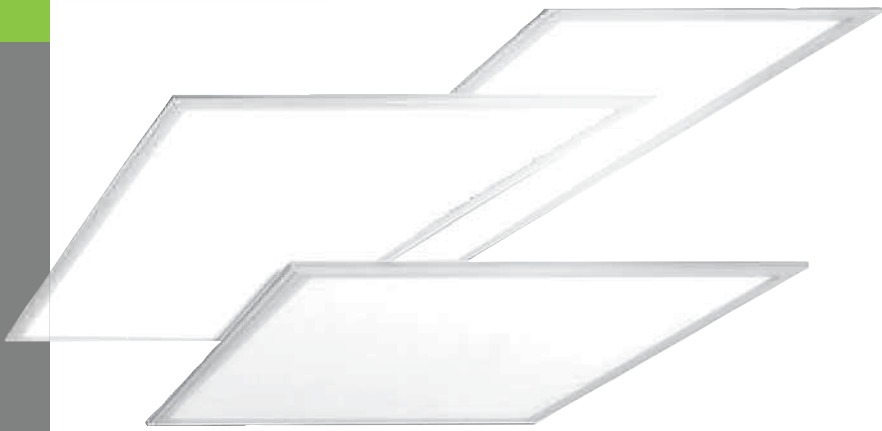
Options List

- LEDFHB178/180-DIFLENS = Diffuse lens
- LEDFHB178/180-WG = Wire-guard kit
- LEDFHB-SMK4 = Surface-mount kit,
- 4 LED modules LEDFHB-PMK = Pendant-mount kit
- LEDFHB-CMK3 = Cable-mounting kit, 3 meters long
- LEDFHB-CMK5 = Cable-mounting kit, 5 meters long
- KTAT-250-480-277/A = 347/480V to 277V transformer, 250W
- KTAT-375-480-277/A = 347/480V to 277V transformer, 375W
- BLPSDTX-COVER = Transformer cover box
- 480 VOLT = 320 & 425 WATT



MODEL	WATTAGE	COLOR TEMPERATURE	INITIAL LUMENS	LUMENS / WATT	LIFE HOURS	CRI	DIMENSIONS (AxBxC)
EG-LEDFHB90W-4K-MVDIM	90	4000K	12420	138	121,000	≥ 80	23 3/4" x 12 5/8" x 3 5/8"
EG-LEDFHB90W-5K-MVDIM	90	5000K	12600	140	121,000	≥ 80	23 3/4" x 12 5/8" x 3 5/8"
EG-LEDFHB135W-4K-MVD	135	4000K	18630	138	121,000	≥ 80	23 3/4" x 17 1/4" x 3 5/8"
EG-LEDFHB135W-5K-MVD	135	5000K	18900	140	121,000	≥ 80	23 3/4" x 17 1/4" x 3 5/8"
EG-LEDFHB178W-4K-MVD	178	4000K	24564	138	121,000	≥ 80	45 7/8" x 17 1/4" x 3 5/8"
EG-LEDFHB178W-5K-MVD	178	5000K	24920	140	121,000	≥ 80	45 7/8" x 17 1/4" x 3 5/8"
EG-LEDFHB265W-4K-MVD	265	4000K	36570	138	121,000	≥ 80	45 7/8" x 21 1/8" x 3 5/8"
EG-LEDFHB265W-5K-MVD	265	5000K	33710	140	121,000	≥ 80	45 7/8" x 21 1/8" x 3 5/8"
EG-LEDFHB320W-4K-MVD	320	4000K	44298	138	121,000	≥ 80	45 7/8" x 17 1/4" x 3 5/8"
EG-LEDFHB320W-5K-MVD	320	5000K	44940	140	121,000	≥ 80	45 7/8" x 17 1/4" x 3 5/8"
EG-LEDFHB425W-4K-MVD	425	4000K	57096	134	121,000	≥ 80	45 7/8" x 21 1/8" x 3 5/8"
EG-LEDFHB425W-5K-MVD	425	5000K	57375	135	121,000	≥ 80	45 7/8" x 21 1/8" x 3 5/8"

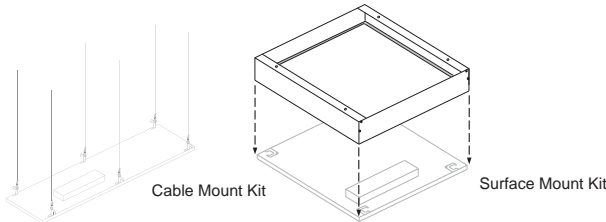
Color Changing LED Flat Panel Luminaire



The Color Changing Panel is typically used to replace fluorescent fixtures or new construction. It is designed to lay in drop ceilings in offices, schools, and healthcare applications. The Color Changing LED Panel offers 0-10VDC Control dimming standard and CCT adjustable by using a normal wall switch. The LEDs enable long life, high lumen maintenance, high CRI, and are low maintenance and constructed without hazardous materials.

- Equipped standard with a 0-10V continuous dimming driver that works with any standard 0-10V control dimmer
- Fits standard T-Bar and narrow grid drop ceiling
- Unique optics guide plate controls glare and provide uniform light distribution
- Integrated hard lid tie points
- Low profile aluminum housing, 1/2" depth including transformer panel
- Long life, 50,000 hour LEDs at L₇₀ reduces lift cycle maintenance costs
- **5 year warranty**

Available Options



CRI	LIFETIME	INPUT VOLTS	POWER FACTOR	FREQUENCY	DIMMABLE	UL LISTED
> 80	50,000 hrs (50W)	100-277	>0.90	50-60Hz	Yes	No



MODEL	WATT	LUMENS	LUMENS / WATT	COLOR TEMPERATURE	DIMENSIONS (AxB)
EG-LEDPNL22CCT27K-65K-DIM	40	4000*	100	27000K-65000K	23.7" x 23.7" x 1.8"
EG-LEDPNL24CCT27K-65K-DIM	50	5000*	100	27000K-65000K	23.7" x 47.6" x 1.8"

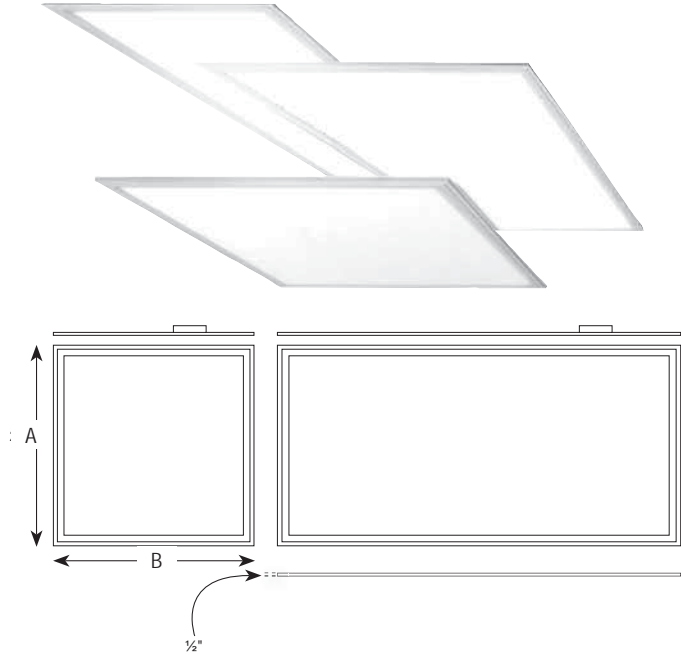
*Measured at 3000K CCT

DLC Premium LED Flat Panel Luminaire

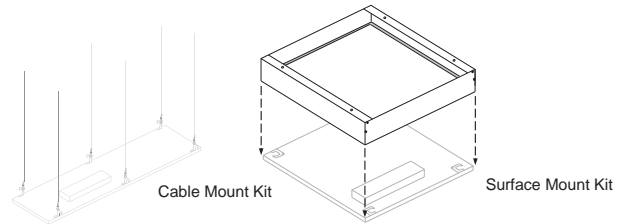
DLC Model# PPLKE6ORDBVIS, PLJP2WRV25LQ, PLSQG3R2PS53

This Premium Flat Panel typically used to replace traditional fluorescent lay-in fixtures, this next generation family of edge lit LED flat panel fixtures are designed to lay in drop ceilings in offices, schools and healthcare applications. Flat panels are fully dimmable and compatible with building controls, motion sensors and daylight harvesting systems, shadow-less light. The LED's enable long life, high lumen, high CRI and are low maintenance and constructed without hazardous materials.

- Equipped standard with a 0-10V continuous dimming driver that works with any standard 0-10V control dimmer
- Unique optics guide plate controls glare and provide uniform light distribution
- Integrated hard lid tie points
- Low profile aluminum housing, 1/2" depth including transformer panel
- **5 year warranty**



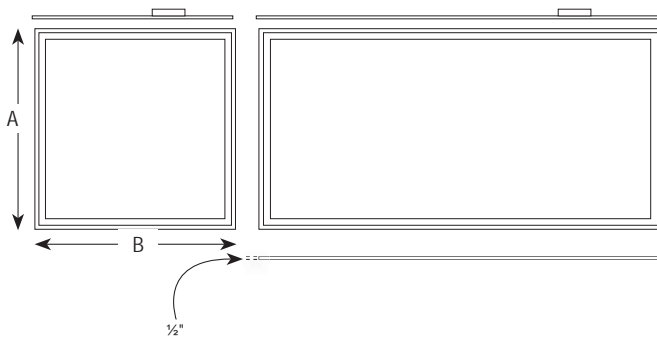
Available Options



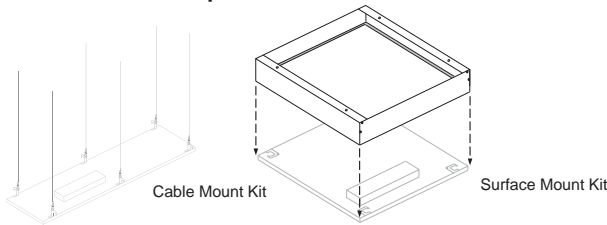
CRI	INPUT VOLTS	POWER FACTOR	FREQUENCY	DIMMABLE	UL LISTED
> 80	120-277	>0.90	50-60Hz	Yes	Yes



MODEL	LUMINAIRE WATTS	LUMINAIRE LUMENS	LUMENS PER WATT	COLOR TEMPERATURE	LIFE HOURS	DLC LISTING	DIMENSIONS (AXB)
EG-LEDPNL1X4-32W-3KMV-PRM-CP	32	4011	125	3000K	81,000	PRM-CP = DLC Premium	11.7" x 47.7" x 1/2"
EG-LEDPNL1X4-32W-35KMV-PRM-CP	32	4051	127	3500K	81,000		
EG-LEDPNL1X4-32W-4KMV-PRM-CP	32	4075	127	4000K	81,000		
EG-LEDPNL1X4-32W-5KMV-PRM-CP	32	4122	129	5000K	81,000		
EG-LEDPNL2X2-22W-3K-PRM-CP	22	2730	124	3000K	199,000		
EG-LEDPNL2X2-22W-35K-PRM-CP	22	2754	125	3500K	199,000		
EG-LEDPNL2X2-22W-4K-PRM-CP	22	2769	126	4000K	199,000		23 3/4" x 23 3/4" x 1/2"
EG-LEDPNL2X2-22W-5K-PRM-CP	22	2799	127	5000K	199,000		
EG-LEDPNL2X2-32W-3K-PRM-CP	32	4016	126	3000K	199,000		
EG-LEDPNL2X2-32W-35K-PRM-CP	32	4079	127	3500K	199,000		
EG-LEDPNL2X2-32W-4K-PRM-CP	32	4109	128	4000K	199,000		
EG-LEDPNL2X2-32W-5K-PRM-CP	32	4170	130	5000K	199,000		
EG-LEDPNL2X4-35W-3KMV-PRM-CP	35	4508	129	3000K	199,000	47 3/4" x 23 3/4" x 1/2"	
EG-LEDPNL2X4-35W-35KMV-PRM-CP	35	4590	131	3500K	199,000		
EG-LEDPNL2X4-35W-4KMV-PRM-CP	35	4672	133	4000K	199,000		
EG-LEDPNL2X4-35W-5KMV-PRM-CP	35	4836	138	5000K	199,000		



Available Options



Typically used to replace traditional fluorescent lay-in fixtures, this next generation family of edge lit LED flat panel fixtures are designed to lay in drop ceilings in offices, schools and healthcare applications. Flat panels are fully dimmable and compatible with building controls, motion sensors and daylight harvesting systems. The design produces an even, consistent shadow-less light. The LED's enable long life, high lumen maintenance and high CRI and are low maintenance, constructed without hazardous materials.

- Equipped standard with a 0-10V continuous dimming driver that works with any standard 0-10V control dimmer
- Fits standard T-Bar and narrow grid drop ceiling
- Unique optics guide plate controls glare and provide uniform light distribution
- Integrated hard lid tie points
- Low profile aluminum housing, 1/2" depth including transformer panel
- Long life, 81,000 hour LEDs at L₇₀ reduces lift cycle maintenance costs
- 5 year warranty

CRI	LIFETIME	INPUT VOLTS	POWER FACTOR	FREQUENCY	DIMMABLE	UL LISTED
> 80	63,000 hrs (50W)	120-277	>0.90	50-60Hz	Yes	Yes



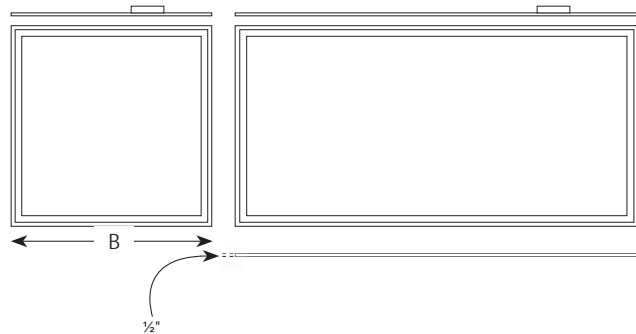
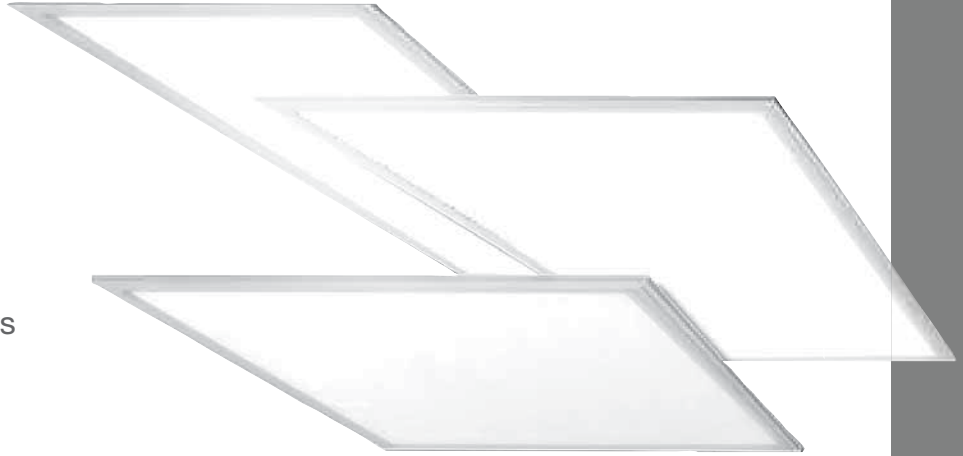
MODEL	WATT	LUMENS	LUMENS / WATT	COLOR TEMPERATURE	DIMENSIONS (AxB)
EG-LEDPNL1X4-40W-3K	40	4070	102	3000K	47 3/4" x 11 1/8" x 1/2"
EG-LEDPNL1X4-40W-35K	40	4149	104	3500K	47 3/4" x 11 1/8" x 1/2"
EG-LEDPNL1X4-40W-4K	40	4149	104	4000K	47 3/4" x 11 1/8" x 1/2"
EG-LEDPNL1X4-40W-5K	40	4600	115	5000K	47 3/4" x 11 1/8" x 1/2"
EG-LEDPNL2X2-40W-3K	40	4078	102	3000K	23 3/4" x 23 3/4" x 1/2"
EG-LEDPNL2X2-40W-35K	40	4078	102	3500K	47 3/4" x 11 1/8" x 1/2"
EG-LEDPNL2X2-40W-4K	40	4134	103	4000K	23 3/4" x 23 3/4" x 1/2"
EG-LEDPNL2X2-40W-5K	40	4480	112	5000K	23 3/4" x 23 3/4" x 1/2"
EG-LEDPNL2X4-50W-3K	47	4652	99	3000K	47 3/4" x 23 3/4" x 1/2"
EG-LEDPNL2X4-50W-4K	47	4652	99	4000K	47 3/4" x 23 3/4" x 1/2"
EG-LEDPNL2X4-50W-5K	47	4652	99	5000K	47 3/4" x 23 3/4" x 1/2"

High Lumens LED Flat Panel Fixtures

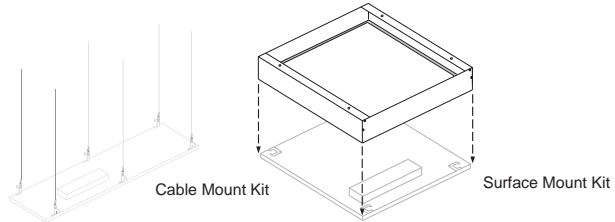
DLC Model# PKBSUSXQ

Typically used to replace traditional fluorescent lay-in fixtures, this next generation family of edge lit LED flat panel fixtures are designed to lay in drop ceilings in offices, schools and healthcare applications. Flat panels are fully dimmable and compatible with building controls, motion sensors and daylight harvesting systems. The design produces an even, consistent shadow-less light. The LED's enable long life, high lumen maintenance and high CRI and are low maintenance and constructed without hazardous materials.

- Equipped standard with a 0-10V continuous dimming driver that works with any standard 0-10V control dimmer
- Fits Standard T-Bar and Narrow Grid Drop Ceiling
- Unique Optics Guide Plate Controls Glare and Provide Uniform Light Distribution
- Integrated Hard Lid Tie Points
- Low Profile Aluminum Housing, 1/2" Depth including transformer panel
- Long life, 81,000 hour LEDs at L70 reduces lift cycle maintenance costs
- **5-Year Warranty**



Available Options



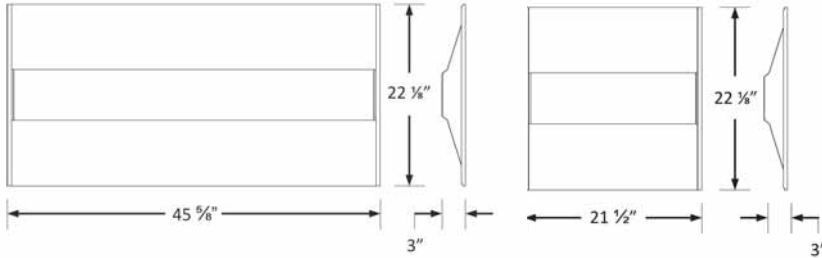
CRI	LIFETIME	INPUT VOLTS	POWER FACTOR	FREQUENCY	DIMMABLE	UL LISTED
80	63,000 hrs	120-277	>0.90	50-60Hz	Yes	Yes



MODEL	WATT	LUMENS	LUMENS / WATT	COLOR TEMPERATURE	DIMENSIONS (AxB)
EG-LEDPNL2X4-70W-3K	68	6567	97	3000K	47 3/4" x 23 3/4" x 1/2"
EG-LEDPNL2X4-70W-35K	68	6645	98	3500K	47 3/4" x 23 3/4" x 1/2"
EG-LEDPNL2X4-70W-4K	68	6645	98	4000K	47 3/4" x 23 3/4" x 1/2"
EG-LEDPNL2X4-70W-5K	68	7325	108	5000K	47 3/4" x 23 3/4" x 1/2"

LED Retrofit Center Baskets

DLC Model# P5N645HM



Designed as a direct replacement for fluorescent luminaires installed in grid ceilings and to deliver general ambient lighting in a variety of indoor settings. High-efficacy luminaire provides long-life and uniform illumination in both new construction and retrofit applications.

- Total harmonic distortion < 20%
- Steel housing and acrylic lens
- Easy installation in new construction or retrofit applications
- **5 year warranty**

- Available in 4000K (cool white) and 5000K (day light) color temperatures.
- Long-life LEDs provide 122,000 hours of operation with at least 70% of initial lumen output (L₇₀)**
- Uniform illumination with no visible LED pixelation
- Extra compartment for EM driver
- ETL approved to relevant UL standards
- DLC approved
- 0-10vdc dimming capability is standard



MODEL	WATT	LUMENS	LUMENS / WATT	COLOR TEMPERATURE	DIMENSIONS
EG-BRKCLED22-23W-35KMV-PRM-ET	23	2,876	125	3500K	21 1/2" x 22 1/8" x 3"
EG-BRKCLED22-23W-4KMV-PRM-ET	23	3,000	130	4000K	21 1/2" x 22 1/8" x 3"
EG-BRKCLED22-23W-5KMV-PRM-ET	23	2,696	129	5000K	21 1/2" x 22 1/8" x 3"
EG-BRKCLED22-33W-35KMV-PRM-ET	33	4,004	121	3500K	21 1/2" x 22 1/8" x 3"
EG-BRKCLED22-33W-4KMV-PRM-ET	33	4,158	126	4000K	21 1/2" x 22 1/8" x 3"
EG-BRKCLED22-33W-5KMV-PRM-ET	33	4,191	127	5000K	21 1/2" x 22 1/8" x 3"
EG-BRKCLED24-23W-35KMV-PRM-ET	23	2,976	129	3500K	45 5/8" x 22 1/8" x 3"
EG-BRKCLED24-23W-4KMV-PRM-ET	23	3,036	132	4000K	45 5/8" x 22 1/8" x 3"
EG-BRKCLED24-23W-5KMV-PRM-ET	23	3,059	133	5000K	45 5/8" x 22 1/8" x 3"
EG-BRKCLED24-42W-35KMV-PRM-ET	42	5,285	126	3500K	45 5/8" x 22 1/8" x 3"
EG-BRKCLED24-42W-4KMV-PRM-ET	42	5,376	128	4000K	45 5/8" x 22 1/8" x 3"
EG-BRKCLED24-42W-5KMV-PRM-ET	42	5,460	130	5000K	45 5/8" x 22 1/8" x 3"

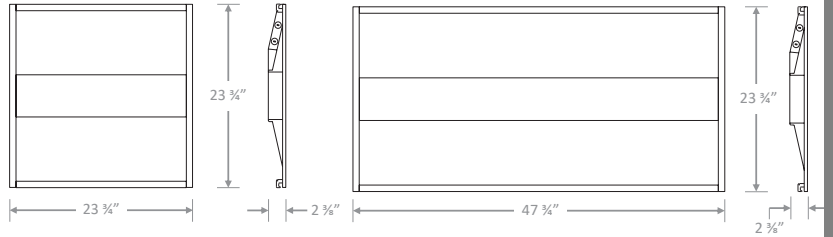
LED Low Profile Center Baskets

DLC Model# PL3BJJ3CDXKK, PL49WTS97471

The premium-performance low-profile LED center basket luminaire offers industry-leading lumens per watt, designed as a direct replacement for fluorescent luminaires installed in grid or plaster ceilings. Designed to deliver general ambient lighting in a variety of indoor settings, including schools, offices, hospitals and stores, and is the perfect choice for both new construction and retrofits.



- Available in 3000k (warm white), 3500k (warm/neutral white), 4000k (neutral white) & 5000k (cool white) color temperatures.
- Long-life LEDs provide 68,000 hours of operation with at least 70% of initial lumen output (L₇₀)
- Uniform illumination with no visible LED pixelation
- Extra compartment for EM driver
- ETL approved to relevant UL standards
- DLC approved
- 0-10vdc dimming capability is standard
- Total harmonic distortion < 20%
- Steel housing and acrylic lens



- Easy installation in new construction or retrofit applications
- **5 year warranty**

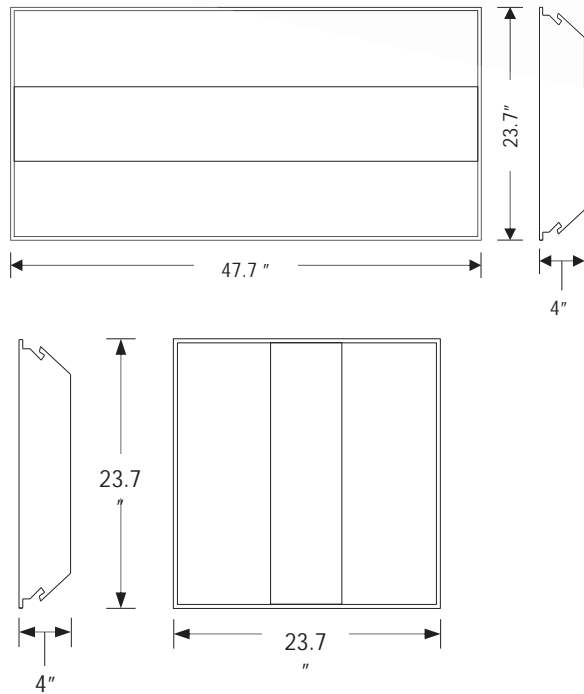


PREMIUM MODEL	WATT	LUMENS	LUMENS / WATT	COLOR TEMPERATURE	DIMENSIONS (AxB)
EG-BCBLED22-32-3K-DMV	32	4,195	131	3000K	23 3/4" x 23 3/4" x 2 3/4"
EG-BCBLED22-32-35K-DMV	32	4,293	134	3500K	23 3/4" x 23 3/4" x 2 3/4"
EG-BCBLED22-32-4K-DMV	32	4,371	137	4000K	23 3/4" x 23 3/4" x 2 3/4"
EG-BCBLED22-32-5K-DMV	32	4,527	141	5000K	23 3/4" x 23 3/4" x 2 3/4"
EG-BCBLED24-40-35K-DMV	44	5,680	129	3500K	47 3/4" x 23 3/4" x 2 3/4"
EG-BCBLED24-40-4K-DMV	44	5,743	131	4000K	47 3/4" x 23 3/4" x 2 3/4"
EG-BCBLED24-40-5K-DMV	44	5,794	132	5000K	47 3/4" x 23 3/4" x 2 3/4"
EG-BCBLED24-40-5K-DMV	44	5,894	134	5000K	47 3/4" x 23 3/4" x 2 3/4"
MODEL	WATT	LUMENS	LUMENS / WATT	COLOR TEMPERATURE	DIMENSIONS (AxB)
EG-BCBLED24-50-35K-DMV	52	5503	106	3500K	47 3/4" x 23 3/4" x 2 3/4"
EG-BCBLED24-50-4K-DMV	52	5718	110	4000K	47 3/4" x 23 3/4" x 2 3/4"
EG-BCBLED24-50-5K-DMV	52	5918	114	5000K	47 3/4" x 23 3/4" x 2 3/4"
EG-BCBLED24-50-5K-DMV	52	6318	122	5000K	47 3/4" x 23 3/4" x 2 3/4"

Find us Online at everongreen.com • (844)-897-4002

Deep LED Center Baskets

DLC Model# PL3BJJ3CDXKK, PL49WTS97471



Designed as a direct replacement for fluorescent luminaires installed in grid ceilings and to deliver general ambient lighting in a variety of indoor settings. High-efficacy luminaire provides long-life and uniform illumination in both new construction and retrofit applications.

- Available in 4000K (cool white) and 5000K (day light) color temperatures.
- Long-life LEDs provide 81,000 hours of operation with at least 70% of initial lumen output (L70)**
- Uniform illumination with no visible LED pixelation
- Extra compartment for EM driver
- ETL approved to relevant UL standards
- DLC approved
- 0-10vdc dimming capability is standard
- Total harmonic distortion < 20%
- Steel housing and acrylic lens
- Easy installation in new construction or retrofit applications
- **5 year warranty**

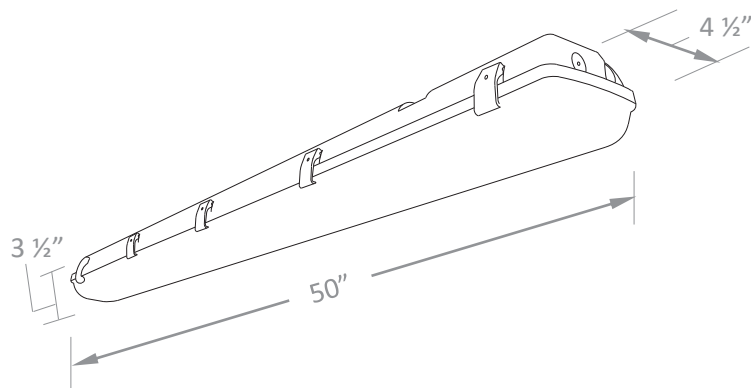


MODEL	WATT	LUMENS	LUMENS / WATT	COLOR TEMPERATURE	DIMENSIONS (AxB)
EG-CBLED22-30-3K-DMV	30	3,709	124	3000K	23.7" x 23.7" x 4"
EG-CBLED22-30-35K-DMV	30	3,709	124	3500K	23.7" x 23.7" x 4"
EG-CBLED22-30-4K-DMV	30	3,766	126	4000K	23.7" x 23.7" x 4"
EG-CBLED22-30-5K-DMV	30	3,823	128	5000K	23.7" x 23.7" x 4"
EG-CBLED24-40-3K-DMV	39	4,854	124	3000K	47.7" x 23.7" x 4"
EG-CBLED24-40-35K-DMV	39	4,845	124	3500K	47.7" x 23.7" x 4"
EG-CBLED24-40-4K-DMV	39	4,945	126	4000K	47.7" x 23.7" x 4"
EG-CBLED24-40-5K-DMV	39	5,036	128	5000K	47.7" x 23.7" x 4"

IP65 LED Vapor Tight Fixtures

DLC Model# PFTDK2DC

Surface-mounted LED luminaires designed to prevent the intrusion of moisture and dust. Provides general ambient lighting in commercial and industrial settings, and the perfect choice for both new construction and retros. This high-efficacy luminaire provides long-life and uniform illumination, as well as standard 0-10 vdc dimming capability.



- Long-life LEDs provide 89,000 hours of operation with at least 70% of initial lumen output L70
- Uniform illumination with no visible LED pixelation
- Universal 120-277 AC voltage (50-60Hz) is standard
- 0-10vdc dimming capability is standard
- Power factor > 0.95
- Total harmonic distortion < 10%
- Color rendering index > 80
- Steel housing and prismatic lens
- ETL Listed for wet locations
- Easy installation in new construction or retrofit
- **5-year Warranty**

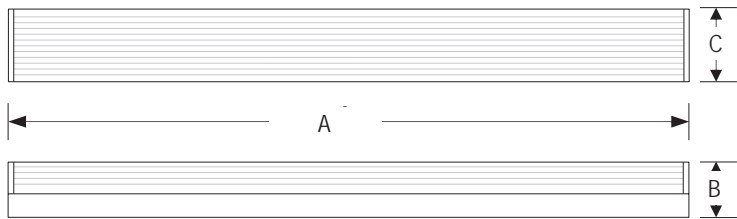


MODEL	COLOR TEMPERATURE	LUMINAIRE LUMENS	LUMINAIRE WATTS	LUMENS PER WATT	OPTIONS
EG-BVTPLED35-35KMVET	3500K	4244	35	125	
EG-BVTPLED35-4KMVET	4000K	4550	35	130	
EG-BVTPLED35-5KMVET	5000K	4585	35	131	
EG-BVTPLED40-35KMVET	3500K	4793	40	120	MC613VDRC = INTERNAL OCCUPANCY SENSOR
EG-BVTPLED40-4KMVET	4000K	5200	40	130	BLEDEM-CP-800 = EMERGENCY DRIVER (800 LM)
EG-BVTPLED40-5KMVET	5000K	5240	40	131	BLEDEM-CP-1200 = EMERGENCY DRIVER (1200 LM)
EG-BVTPLED52-35KMVET	3500K	6469	52	127	BLEDEM-CP-1600 = EMERGENCY DRIVER (1600 LM)
EG-BVTPLED52-4KMVET	4000K	6760	52	130	
EG-BVTPLED52-5KMVET	5000K	6812	52	131	



2', 3', 4' and 8' covered strip lights designed as direct replacements for fluorescent strips. Delivers general ambient lighting in a variety of indoor settings, including schools, offices, hospitals and stores, and is the perfect choice for both new construction and retrofits. This high-efficacy luminaire provides long-life and uniform illumination, as well as standard 0-10 vdc dimming capability.

- Long-life LEDs provide 122,000 hours of operation with at least 70% of initial lumen output L₇₀
- Uniform illumination with no visible LED pixelation
- Universal 100-277 AC voltage (50-60Hz) is standard
- 0-10vdc dimming capability is standard.
- ETL approved to relevant U.L. standards.
- DLC approved
- Steel housing and ribbed acrylic lens.
- Easy installation in new construction or retrofit
- **5-Year Warranty** of all electronics and housing

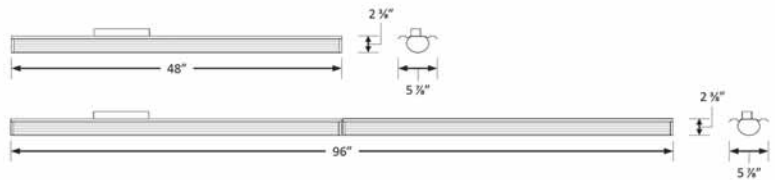


MODEL	WATTS	LUMENS	LUMENS / WATT	COLOR TEMPERATURE	CRI ¹	INPUT CURRENT			POWER FACTOR	THD ²	DIMENSIONS (AxBxC)
						120V	240V	277V			
EG-BLCSLED2FT-20-35KMV-ET	20	2348	117	3000K	≥ 80	0.17	0.08	0.07	>90%	<20%	26" x 3 3/8" x 3 1/2"
EG-BLCSLED2FT-20-4KMV-ET	20	2600	130	4000K	≥ 80	0.17	0.08	0.07	>90%	<20%	26" x 3 3/8" x 3 1/2"
EG-BLCSLED2FT-20-5KMV-ET	20	2432	122	5000K	≥ 80	0.17	0.08	0.07	>90%	<20%	26" x 3 3/8" x 3 1/2"
EG-BLCSLED3FT-25-35KMV-ET	25	3129	125	3000K	≥ 80	0.21	0.10	0.09	>90%	<20%	37" x 3 3/8" x 3 1/2"
EG-BLCSLED3FT-25-4KMV-ET	25	3250	130	4000K	≥ 80	0.21	0.10	0.09	>90%	<20%	37" x 3 3/8" x 3 1/2"
EG-BLCSLED3FT-25-5KMV-ET	25	3334	133	5000K	≥ 80	0.21	0.10	0.09	>90%	<20%	37" x 3 3/8" x 3 1/2"
EG-BLCSLED4FT-32-35KMV-ET	32	3811	119	3000K	≥ 80	0.27	0.13	0.12	>90%	<20%	48" x 3 3/8" x 3 1/2"
EG-BLCSLED4FT-32-4KMV-ET	32	4224	132	4000K	≥ 80	0.27	0.13	0.12	>90%	<20%	48" x 3 3/8" x 3 1/2"
EG-BLCSLED4FT-32-5KMV-ET	32	4256	133	5000K	≥ 80	0.27	0.13	0.12	>90%	<20%	48" x 3 3/8" x 3 1/2"
EG-BLCSLED8FT-65-35KMV-ET	65	8450	130	3000K	≥ 80	0.54	0.27	0.23	>90%	<20%	96" x 3 3/8" x 3 1/2"
EG-BLCSLED8FT-65-4KMV-ET	65	8580	132	4000K	≥ 80	0.54	0.27	0.23	>90%	<20%	96" x 3 3/8" x 3 1/2"
EG-BLCSLED8FT-65-5KMV-ET	65	8645	133	5000K	≥ 80	0.54	0.27	0.23	>90%	<20%	96" x 3 3/8" x 3 1/2"

4' & 8' Strip Retrofits

These retrofit strip lights are designed to transform existing fluorescent strips into high performance LED luminaires. This series is designed to deliver general ambient lighting in a variety of indoor settings, including schools, offices, hospitals and stores. This high-efficacy luminaire provides long-life and uniform illumination, as well as standard 0-10vdc dimming capability.

- Long-life LEDs provide 122,000 hours of operation with at least 70% of initial lumen output L70
- Uniform illumination with no visible LED pixelation
- Universal 100-277 AC voltage (50-60Hz) is standard
- 0-10vdc dimming capability is standard.
- ETL approved to relevant U.L. standards.
- DLC approved
- Steel housing and ribbed acrylic lens.
- Easy installation in new construction or retrofit
- **5-Year Warranty** of all electronics and housing



Weight: 4' — 4.6 lbs. / 8' — 8.4 lbs.

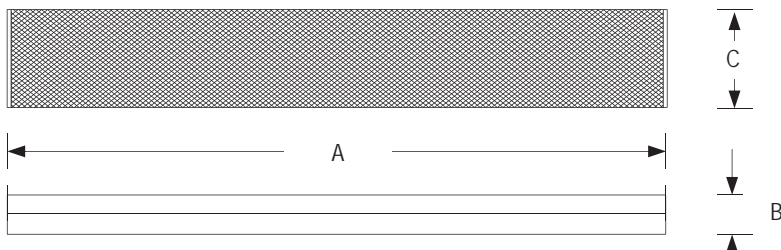
Note: consists of two 4" retrofit modules with one driver.



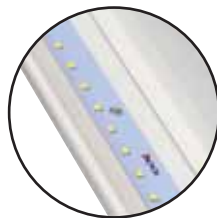
MODEL	WATTS	LUMENS	LUMENS / WATT	COLOR TEMPERATURE	CRI ¹	INPUT CURRENT			POWER FACTOR	THD ¹	DIMENSIONS
						120V	240V	277V			
EG-BRKLCSLED4FT-23-35KMV-ET	23	2833	123	3500K	≥ 80	0.17	0.08	0.07	>90%	<20%	48" x 5 1/4" x 3 1/2"
EG-BRKLCSLED4FT-23-4KMV-ET	23	2990	130	4000K	≥ 80	0.17	0.08	0.07	>90%	<20%	48" x 5 1/4" x 3 1/2"
EG-BRKLCSLED4FT-23-5KMV-ET	23	3013	131	5000K	≥ 80	0.17	0.08	0.07	>90%	<20%	48" x 5 1/4" x 3 1/2"
EG-BRKLCSLED8FT-46-35KMV-ET	46	5842	127	3500K	≥ 80	0.21	0.10	0.09	>90%	<20%	96" x 5 1/4" x 3 1/2"
EG-BRKLCSLED8FT-46-4KMV-ET	46	5980	130	4000K	≥ 80	0.21	0.10	0.09	>90%	<20%	96" x 5 1/4" x 3 1/2"
EG-BRKLCSLED8FT-46-5KMV-ET	46	6026	131	5000K	≥ 80	0.21	0.10	0.09	>90%	<20%	96" x 5 1/4" x 3 1/2"

DLC LED Surface Mounted Wrap

DLC Model# BWALED4FT



Durable Powder Coated Steel Housing



Energy Efficient LED Illumination

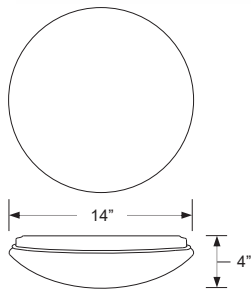
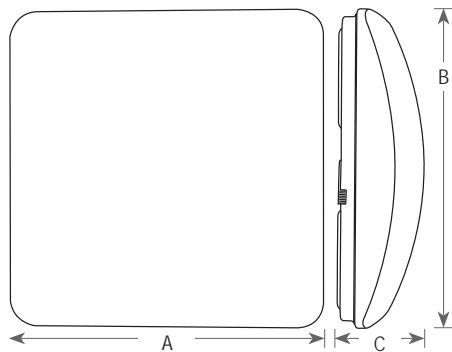
4' LED cloud luminaire designed to deliver general ambient lighting in a variety of indoor settings, including schools, offices, hospitals, stores, and residences. Perfect choice for both new construction and retrofits. This high-efficacy luminaire provides long-life and uniform illumination, as well as standard 0-10 vdc dimming capability.

- Long-life LEDs provide 122,000 hours of operation with at least 70% of initial lumen output L70
- Uniform illumination with no visible LED pixelation
- ETL approved to relevant UL standards
- DLC approved
- 0-10vdc dimming capability is standard
- Total harmonic distortion < 10%
- Steel housing and acrylic lens
- Easy installation in new construction or retrofit
- **5-Year Warranty** on all electronics and housing



MODEL	WATTS	LUMENS	LUMENS / WATT	COLOR TEMP.	CRI ¹	INPUT VOLTAGE	INPUT CURRENT			POWER FACTOR	THD ²	DIMENSIONS (AxBxC)
							120V	240V	277V			
EG-BWALED4FT40-35MVE	40	4771	119	3000K	≥ 80	120-277 (50-60Hz)	0.33	0.17	0.14	>90%	<20%	48" x 7" x 3 3/4"
EG-BWALED4FT40-4MVE	40	5200	130	4000K	≥ 80	120-277 (50-60Hz)	0.33	0.17	0.14	>90%	<20%	48" x 7" x 3 3/4"
EG-BWALED4FT40-5MVE	40	5240	131	5000K	≥ 80	120-277 (50-60Hz)	0.33	0.17	0.14	>90%	<20%	48" x 7" x 2 3/4"

LED Ceiling Luminaire



High-quality luminaire utilizes the latest LED technology for optimal performance and maximized energy efficiency. Designed for residential, light commercial and many other general lighting applications with a finely-textured lens molded from acrylic for uniform light distribution. High-CRI LEDs are standard and dimming is available with many popular market wall dimmers.

- Available in 2700K (warm white) and 4000K (cool white) color temperatures
- Long-life LEDs provide 76,000 hours (S Model) of operation with at least 70% of initial lumen output (L₇₀)
- 11" model provides the equivalent of a 75W incandescent bulb on 15W; 14" provides the equivalent of two 60W bulbs
- 120 Volt
- High-efficiency, non-glare lens provides visual comfort and uniform illumination without pixelation
- cULus listed for damp and dry locations
- Compatible with many popular wallbox dimmers
- Total harmonic distortion < 20%
- Steel housing and acrylic lens
- Easy installation in new construction or retrofit applications
- **5-Year Warranty** on all electronics and housing



¹ Color rendering index
² Total harmonic distortion

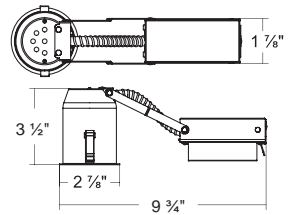
MODEL	WATTS	LUMENS	LUMENS / WATT	COLOR TEMP.	CRI ¹	COLOR TEMPERATURE	POWER FACTOR	THD ²	DIMENSIONS (AxBxC)
EG-LEDSEG-27K	15	1214	84	2700K	≥ 80	120 (60Hz)	>99	<20%	11" x 11" x 3 1/4"
EG-LEDSEG-4K	15	1320	91	4000K	≥ 80	120 (60Hz)	>99	<20%	11" x 11" x 3 1/4"
EG-LEDSEG-27K	25	1685	70	2700K	≥ 80	120 (60Hz)	>99	<20%	14" x 14" x 3 1/4"
EG-LEDSEG-4K	25	1803	75	4000K	≥ 80	120 (60Hz)	>99	<20%	14" x 14" x 3 1/4"
EG-LEDREG-27K	15	1050	71	2700K	≥ 80	120 (60Hz)	>99	<20%	11" x 11" x 4"
EG-LEDREG-4K	15	1050	71	4000K	≥ 80	120 (60Hz)	>99	<20%	11" x 11" x 4"
EG-LEDREG-27K	24	1702	71	2700K	≥ 80	120 (60Hz)	>99	<20%	14" x 14" x 4"
EG-LEDREG-4K	24	1809	75	4000K	≥ 80	120 (60Hz)	>99	<20%	14" x 14" x 4"

COMPATIBLE DIMMERS	
LUTRON	
Ariadni/Toggler	TGCL-153P
Maestro	MACL-153M
SkyLark Contour	CTCL-153P
Caseta	PD-6WCL
LEVITON	
IllumaTech	R50-IPL06
SureSlide	REG-06672
	R62-06674
Decora	DSLEG-1LZ

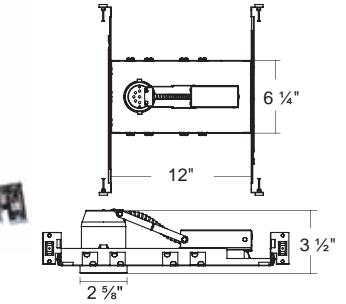
2" LED Recessed Cans

LED can and module for both remodel and new construction applications provides up to 75% energy savings compared to incandescent lighting fixtures with just 9 watts of energy consumption. The high-quality and high power LEDs produce 600+ lumens at a 3000K color temperature.

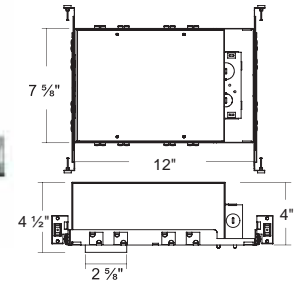
- Long Life LEDs with up to 50,000 hours at 70% lumen maintenance
- Dimmable with most standard incandescent and low voltage dimmers
- LED driver with 120V COLOR TEMPERATURE
- Integral T-bar installation slots on new construction models
- Two clips provided to secure can to housing on remodel cans
- Bar hangers on new construction models are adjustable from 13⁵/₈" to 25" and can be repositioned 90° on plaster frame
- Pre-installed real nail on new model easily installs in regular and engineered lumber
- Galvanized steel construction
- Selective models for use with insulated and non-insulated ceilings
- Tested in accordance with IESNA LM79 & LM80
- cULus Listed for damp and wet locations (not suitable for coastal/salt water area)
- Energy Star qualified
- Operating temperatures of -30°C to 40°C.
- Certified under ASTM-E283 for airtight construction (new construction models only)
- Housing on IC (insulated ceiling) model can be removed from frame to provide access to junction box
- **5-Year Warranty**



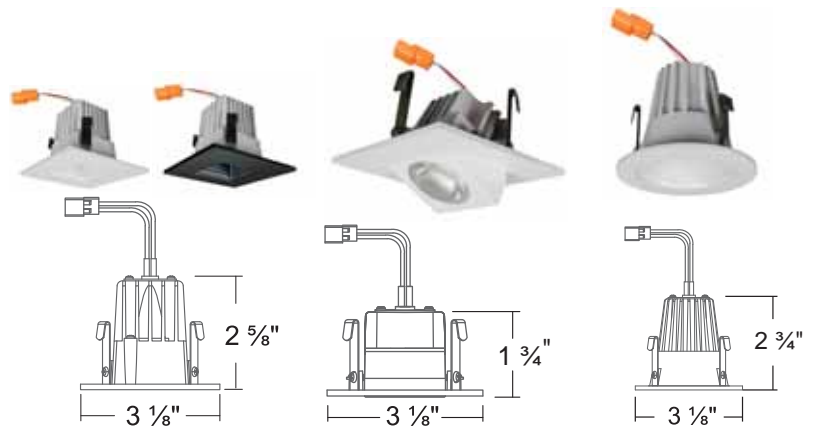
EG-2C-LEDR
REMODEL



EG-2C-LEDN-AT-N
NEW CONSTRUCTION



EG-2C-LEDNIC-AT-N
NEW CONSTRUCTION



EG-2T-LED-SBW-3K
EG-2T-LED-SGRB-3K

SQUARE BAFFLE
trim with white finish
9 watt • 600 Lumens
120V • 90CRI • 3000K

EG-2T-LED-SGRW-3K

ADJUSTABLE SQUARE
trim with white finish
9 watt • 600 Lumens
120V • 90CRI • 3000K

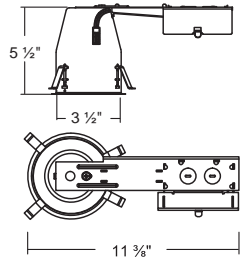
EG-2T-LED-BW-3K

ROUND BAFFLE
trim with white finish
9 watt • 600 Lumens
120V • 90CRI • 3000K

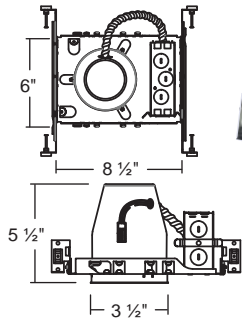


MODEL	DESCRIPTION	CRI
EG-2C-LEDN-AT-N	2" Non-IC LED new construction can with driver	≥90
EG-2C-LEDNIC-AT-N	2" IC AT LED new construction can with driver	≥90
EG-2C-LEDR	2" Non-IC LED remodel can with driver	≥90

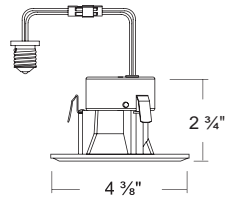
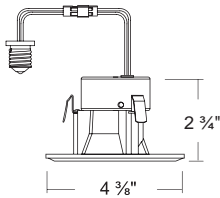
3 1/2" LED Recessed Cans



EG-3C-LEDNIC-AT-N
REMODEL



EG-3C-LEDRIC-AT-N
NEW CONSTRUCTION



EG-3RKT-BW-3K
ROUND BAFFLE
trim with white finish
8.6 watt • 636 Lumens
120V • 90CRI • 3000K

EG-3RKT-SBW-3K
SQUARE BAFFLE
trim with white finish
8.6 watt • 636 Lumens
120V • 90CRI • 3000K

3 1/2" LED Recessed Housings are designed for LED trims and modules and are adaptable for remodel and new construction applications. Durable galvanized steel construction contains one 1 1/8", six 7/8" knockouts and four romex pry-outs with strain relief.

- Dedicated housings for LED trims and modules
- 2-pin snap-on connector for easy connection to LED trims/modules
- Four clips on remodel cans provided to secure to housing and accommodate 1/2" and 5/8" ceilings
- Bar hangers on new construction models are adjustable from 13 5/8" to 25" and can be repositioned 90° on plaster frame
- Pre-installed real nail on new model easily installs in regular and engineered lumber
- Galvanized steel construction
- Contains one 1 1/8", six 7/8" knockouts and four romex pry-outs with stain relief
- Housing on new construction model can be removed from frame to provide access to the junction box
- cULus listed for damp locations
- Certified under ASTM-E283 for air tight construction
- Operating temperatures of -30°C to 40°C
- Meets State of California Title 24 requirements
- 5-Year Warranty



MODEL	DESCRIPTION
EG-3C-LEDNIC-AT-N	3 1/2" Dedicated LED IC housing for new construction applications
EG-3C-LEDRIC-AT-N	3 1/2" Dedicated LED IC housing for remodel applications

New Construction IC LED Dedicated Cans

4 Inch

LED dedicated IC housing designed for new construction installations and suitable for use in ceilings where the housing can be in direct contact with the insulation. Air tight construction reduces energy costs.



6 Inch

LED dedicated IC housing designed for new construction installations and suitable for use in ceilings where the housing can be in direct contact with insulation. Air tight construction reduces energy costs by reducing the amount of air leakages through the ceiling.



••••• Remodel IC LED Dedicated Cans

4 Inch

LED dedicated IC housing designed for remodel installations and suitable for use in ceilings where the housing can be in direct contact with the insulation. Air tight construction reduces energy costs.



6 Inch

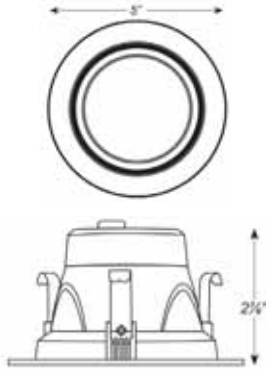
LED dedicated IC housing is designed for remodel installations and is suitable for use in ceilings where the housing can be in direct contact with the insulation. Air tight construction reduces energy costs. Four remodel clips secure the housing and accommodates 5/8" and 1 3/8" ceiling materials.



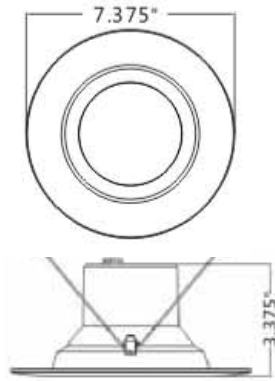
4", 5", 6" Economy V2 Recessed LED Retrofit Modules



4 INCH



5-6 INCH



Economy Recessed downlight retrofit solution has an integrated LED power supply and thermal management system combined in a single compact unit designed to fit most standard recessed cans.

Compatible with IC and non-IC rated air-tight recessed housings and is ENERGY STAR® qualified.

- Free Edison Socket Adapter included
- Illuminates down to 10% with most electronic dimmers
- Built-in driver
- Wide assortment of color temperatures available, including, 2700K, 3000K, 4000K and 5000K at 80 CRI
- Durable thermoplastic construction
- Long life, 50,000 hour LEDs at L₇₀ reduces life cycle maintenance costs
- **5-Year Warranty**



EG-LED56-TRMPLT-ECO-SQ
SILVER TRIM FACE OPTION



EG-LED56-TRMPLT-ECO-SPWHT
SQUARE TRIM FACE OPTION

Other available Trim Face options:



BRONZE



BLACK



NICKEL



MODEL	DESCRIPTION	WATT	LUMENS	LUMENS / WATT	COLOR TEMPERATURE	CRI	ENERGY STAR
EG-BRK-LED4-BW-27K-ECO-V2	4" Recessed LED Retrofit Model	8	550	69	2700K	≥80	YES
EG-BRK-LED4-BW-3K-ECO-V2	4" Recessed LED Retrofit Model	8	570	71	3000K	≥80	YES
EG-BRK-LED4-BW-4K-ECO-V2	4" Recessed LED Retrofit Model	8	590	74	4000K	≥80	YES
EG-BRK-LED4-BW-5K-ECO-V2	4" Recessed LED Retrofit Model	8	610	76	5000K	≥80	YES
EG-BRK-LED56-BW-27K-ECO-V2	5/6" Recessed LED Retrofit Model	12	800	67	2700K	≥80	YES
EG-BRK-LED56-BW-3K-ECO-V2	5/6" Recessed LED Retrofit Model	12	820	68	3000K	≥80	YES
EG-BRK-LED56-BW-4K-ECO-V2	5/6" Recessed LED Retrofit Model	12	840	70	4000K	≥80	YES
EG-BRK-LED56-BW-5K-ECO-V2	5/6" Recessed LED Retrofit Model	12	860	72	5000K	≥80	YES

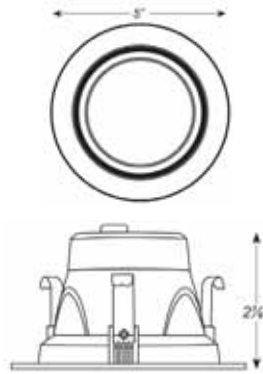


4", 5", 6" Standard Recessed LED Retrofit Modules

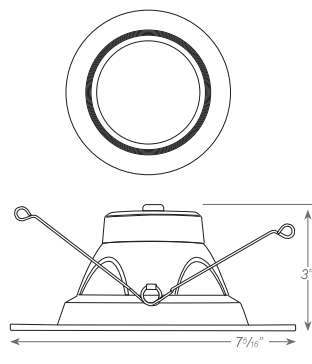
Standard Recessed downlight retrofit solution has an integrated LED power supply and thermal management system combined in a single compact unit designed to fit most standard recessed cans.

Compatible with IC and non-IC rated air-tight recessed housings and is ENERGY STAR® qualified.

- Free Edison Socket Adapter included
- Illuminates down to 10% with most electronic dimmers
- Built-in driver
- Wide assortment of color temperatures available, including, 2700K, 3000K, 4000K and 5000K at 80 CRI
- Durable thermoplastic construction
- Long life, 50,000 hour LEDs at L₇₀ reduces life cycle maintenance costs
- **5-Year Warranty**



4 INCH



5-6 INCH



EG-LED56-TRMPLT-ECO-SQ
SILVER TRIM FACE OPTION



EG-LED56-TRMPLT-ECO-SPWHT
SQUARE TRIM FACE OPTION

Other available Trim Face options:



BRONZE



BLACK



NICKEL

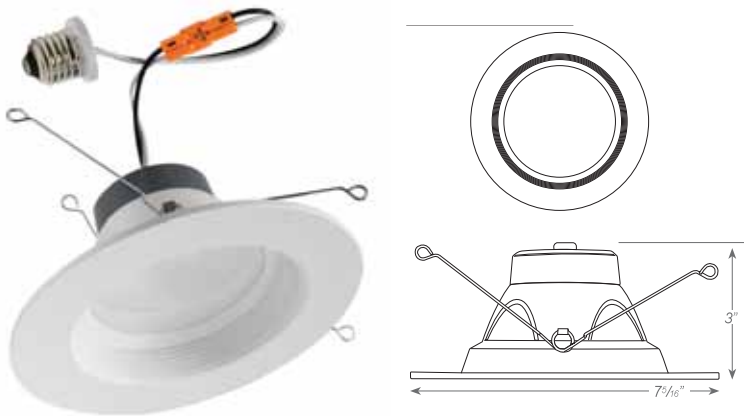


MODEL	DESCRIPTION	WATT	LUMENS	LUMENS / WATT	COLOR TEMPERATURE	CRI	ENERGY STAR
EG-BRK-LED4-BW-27-ECO	4" Recessed LED Retrofit Model	8	550	69	2700K	≥80	YES
EG-BRK-LED4-BW-3-ECO	4" Recessed LED Retrofit Model	8	630	79	3000K	≥80	YES
EG-BRK-LED4-BW-4-ECO	4" Recessed LED Retrofit Model	8	665	83	4000K	≥80	YES
EG-BRK-LED4-BW-5-ECO	4" Recessed LED Retrofit Model	8	730	91	5000K	≥80	YES
EG-BRK-LED56-BW-27-ECO	5/6" Recessed LED Retrofit Model	12	900	75	2700K	≥80	YES
EG-BRK-LED56-BW-3-ECO	5/6" Recessed LED Retrofit Model	12	960	80	3000K	≥80	YES
EG-BRK-LED56-BW-4-ECO	5/6" Recessed LED Retrofit Model	12	1000	83	4000K	≥80	YES
EG-BRK-LED56-BW-5-ECO	5/6" Recessed LED Retrofit Model	12	1060	88	5000K	≥80	YES

4", 5", 6" Premium JA8 Recessed LED Retrofit Modules



4 INCH



5-6 INCH



EG-LED56-TRMPLT-ECO-SQ
SILVER TRIM FACE OPTION



EG-LED56-TRMPLT-ECO-SPWHT
SQUARE TRIM FACE OPTION

Other available Trim Face options:



BRONZE



BLACK



NICKEL

Premium California Approved recessed downlight retrofit solution has an integrated LED power supply and thermal management system combined in a single compact unit designed to fit most standard recessed cans. Meets all requirements for JA8.

Compatible with IC and non-IC rated air-tight recessed housings and is ENERGY STAR® qualified.

- Free Edison Socket Adapter included
- Illuminates down to 10% with most electronic dimmers
- Built-in driver
- Wide assortment of color temperatures available, including, 2700K, 3000K, 4000K and 5000K at 90 CRI
- Durable thermoplastic construction
- Long life, 50,000 hour LEDs at L70 reduces life cycle maintenance costs
- California JA8 Approved
- **5-Year Warranty**

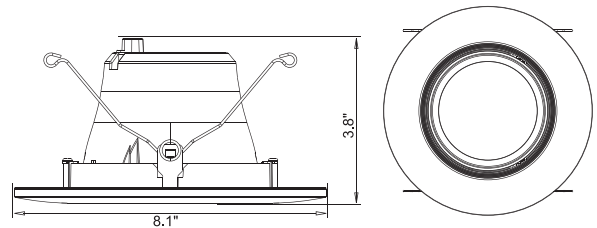
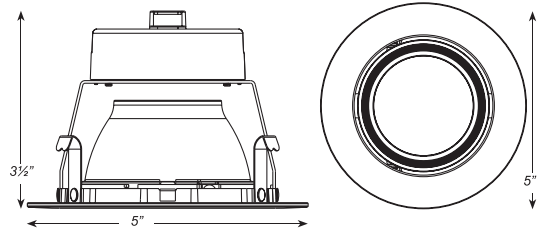


MODEL	DESCRIPTION	WATT	LUMENS	LUMENS / WATT	COLOR TEMPERATURE	CRI	ENERGY STAR
EG-BRK-LED4-BW-27-ECO-C	4" Recessed LED Retrofit Model	8	550	69	2700K	≥ 90	YES
EG-BRK-LED4-BW-3-ECO-C	4" Recessed LED Retrofit Model	8	550	71	3000K	≥ 90	YES
EG-BRK-LED4-BW-4-ECO-C	4" Recessed LED Retrofit Model	8	550	74	4000K	≥ 90	YES
EG-BRK-LED56-BW-27-ECO-C	5/6" Recessed LED Retrofit Model	12	750	67	2700K	≥ 90	YES
EG-BRK-LED56-BW-3-ECO-C	5/6" Recessed LED Retrofit Model	12	750	68	3000K	≥ 90	YES
EG-BRK-LED56-BW-4-ECO-C	5/6" Recessed LED Retrofit Model	12	750	70	4000K	≥ 90	YES
HIGH LUMENS							
EG-BRK-LED56-16BW-27-ECO-C	5/6" Recessed LED Retrofit Model	16	1200	100	2700K	≥ 90	YES
EG-BRK-LED56-16BW-3-ECO-C	5/6" Recessed LED Retrofit Model	16	1200	100	3000K	≥ 90	YES
EG-BRK-LED56-16BW-4-ECO-C	5/6" Recessed LED Retrofit Model	16	1200	100	4000K	≥ 90	YES

5" & 6" LED Directional Gimbel & Slope Recessed Light

Standard and Sloped design to fit most standard market recessed cans, the 5" and 6" Gimbel Light Fixture features an integrated LED power supply and thermal management system combined in a compact unit.

- Long-life LEDs with up to 50,000 hours at 70% lumen maintenance
- Dimmable to 10% with most dimmers (see table below)
- Built-in, high-efficiency LED driver
- Easy, tool-less installation with adjustable torsion spring
- Durable thermoplastic construction
- 75% energy savings over incandescent lamps
- Standard E26 medium screw-base Edison Socket Adapter
- ETL Listed for damp locations (-20°C - 40°C; -4°F - 104°F)
- Meets State of California Title 24 requirements
- ENERGY STAR® qualified
- **5-Year Warranty**



COMPATIBLE DIMMERS

Lutron Maestro C-L	MACL-153MR
Lutron Skylark C-L	SCL-153P
Leviton Sureslide	Cat.No.6674
Lutron	PD-6WCL
Legrand Harmony	HCL453PTCCCV6



MODEL	DESCRIPTION	WATT	LUMENS	COLOR TEMPERATURE	CRI	ENERGY STAR
EG-65RKT-GR-27K-ECO	5 5/8" Recessed LED Retrofit Module	14	975	2700K	≥ 80	YES
EG-65RKT-GR-3K-ECO	5 5/8" Recessed LED Retrofit Module	14	1000	3000K	≥ 80	YES
EG-65RKT-GR-4K-ECO	5 5/8" Recessed LED Retrofit Module	14	1050	4000K	≥ 80	YES
EG-6RKT-SLPGR27K-ECO	5 5/8" Slope Gimbel Recessed LED Retrofit Module	13	975	2700K	≥ 80	YES
EG-6RKT-SLPGR35K-ECO	5 5/8" Slope Gimbel Recessed LED Retrofit Module	13	975	3500K	≥ 80	YES
EG-6RKT-SLPGR4K-ECO	5 5/8" Slope Gimbel Recessed LED Retrofit Module	13	975	4000K	≥ 80	YES

LED High Lumens 6" & 8" New Work or Retrofit Downlight



6" & 8" Architectural recessed downlight retrofit solution with integrated LED power supply and thermal management system combined in a single compact unit designed to fit most standard recessed cans. Applicable to remodel and new construction applications.

- Long-life LEDs with up to 50,000 hours at 70% lumen maintenance
- Utilizes 1.18W high power, high quality LEDs
- Compatible with most standard-sized housings in insulated, non-insulated and air-tight ceilings
- Durable thermoplastic construction
- Built-in, high-efficiency LED Driver
- Saves 75% over incandescent lamps
- 120-277 Multi-Volt
- ETL Listed for wet locations (-20°C - 40°C; -4°F - 104°F)
- Meets State of California Title 24
- ENERGY STAR® qualified
- 0-10 Volt Dimmable
- **5-Year Warranty**



EG-LED56-TRMPLT-ECO-SQ
SILVER TRIM FACE OPTION

COMPATIBLE DIMMERS

Lutron Maestro C-L	MACL-153MR
Lutron Skylark C-L	SCL-153P
Leviton Sureslide	Cat.No.6674
Lutron	PD-6WCL
Legrand Harmony	HCL453PTCCCV6



MODEL	OPTIONS	WATTS	LUMENS	COLOR TEMPERATURE	INPUT VOLTAGE	DIMENSIONS (AxBxC)	ENERGY STAR
EG-6RKTA-BW-35K-ECO	White Baffle	17	2000	3500K	120V-277V (50-60Hz)	4 7/8" x 9 1/2" x 3 1/2"	YES
EG-6RKTA-BW-4K-ECO	White Baffle	17	2000	4000K	120V-277V (50-60Hz)	4 7/8" x 9 1/2" x 3 1/2"	YES
EG-6RKTA-BW-5K-ECO	White Baffle	17	2000	5000K	120V-277V (50-60Hz)	4 7/8" x 9 1/2" x 3 1/2"	YES
EG-LED6A-TRMPLT-ECO-SQ	White Baffle	NA	NA	NA	NA	NA	NA
EG-6SQ-TP-RC-ARC-ECO	Silver/White	NA	NA	NA	NA	NA	NA
EG-8RKTA-BW-35K-ECO	White Baffle	27	2000	3500K	120V-277V (50-60Hz)	4 7/8" x 9 1/2" x 3 1/2"	YES
EG-8RKTA-BW-4K-ECO	White Baffle	54	5000	5000K	120V-277V (50-60Hz)	4 7/8" x 9 1/2" x 3 1/2"	YES
EG-8RKTA-BW-5K-ECO	White Baffle	54	5000	5000K	120V-277V (50-60Hz)	4 7/8" x 9 1/2" x 3 1/2"	YES
EG-8RKTA-BW-54W-3K-E	White Baffle	54	5000	3000K	120V-277V (50-60Hz)	4 7/8" x 9 1/2" x 3 1/2"	YES
EG-8RKTA-BW-54W-4K-E	White Baffle	54	5000	4000K	120V-277V (50-60Hz)	4 7/8" x 9 1/2" x 3 1/2"	YES
EG-LED8A-TRMPLT-ECO-SPWHT	Silver/White	NA	NA	NA	NA	NA	NA
EG-LED8A-TRMPLT-ECO-SQ	Silver/White	NA	NA	NA	NA	NA	NA

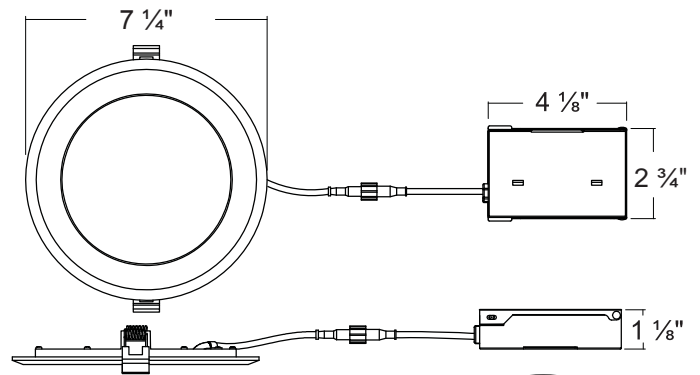
Find us Online at everongreen.com • (844)-897-4002

4" & 6" Residential LED Flat Panel

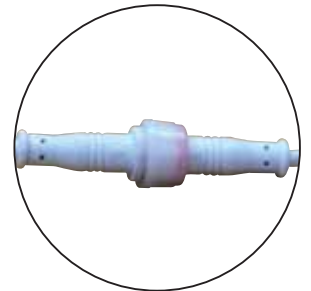
Energy efficient LED Flat Retrofit kit provides quick and easy installation with no can required. Durable powder-coated die-cast trim with enclosed J-box is attached with a water-tight connection. Pre-installed plastic clips for easy installation.



- 120V Dimmer standard, 50/60Hz
- Dimmable down to 5% with most market dimmers
- Use for recessed applications with drywall or drop tile ceilings (no recessed can needed)
- Small, lightweight J-box standard
- Long life, 50,000 hour LEDs
- -30°C ~ 40°C (-22°F ~ 104°F) operating temperature
- **5-Year Warranty**



SQUARE OPTION
EG-LED-FSP-WH4-3K

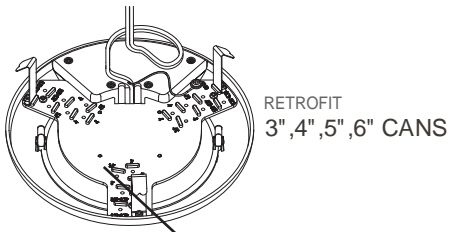
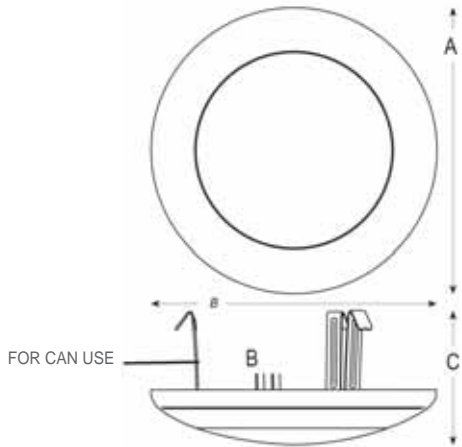


WATER-TIGHT CONNECTOR



MODEL	DESCRIPTION	WATT	LUMENS	COLOR TEMPERATURE	CRI	ENERGY STAR®
EG-LED-FRP-WH4-3K	4" LED Round Flat Retrofit Kit	10	500	3000K	≥ 90	YES
EG-LED-FRP-WH4-4K	4" LED Round Flat Retrofit Kit	10	500	4000K	≥ 90	
EG-LED-FRP-WH4-5K	4" LED Round Flat Retrofit Kit	10	500	5000K	≥ 90	
EG-LED-FRP-WH6-3K	6" LED Round Flat Retrofit Kit	15	800	3000K	≥ 90	
EG-LED-FRP-WH6-4K	6" LED Round Flat Retrofit Kit	15	800	4000K	≥ 90	
EG-LED-FRP-WH6-5K	6" LED Round Flat Retrofit Kit	15	800	5000K	≥ 90	
EG-LED-FSP-WH4-3K	4" LED Round Flat Retrofit Kit	10	500	3000K	≥ 90	
EG-LED-FSP-WH4-4K	4" LED Round Flat Retrofit Kit	10	500	4000K	≥ 90	
EG-LED-FSP-WH4-5K	4" LED Round Flat Retrofit Kit	10	500	5000K	≥ 90	
EG-LED-FSP-WH6-3K	6" LED Round Flat Retrofit Kit	15	800	3000K	≥ 90	
EG-LED-FSP-WH6-4K	6" LED Round Flat Retrofit Kit	15	800	4000K	≥ 90	
WN -LED-FSP-WH6-5K	6" LED Round Flat Retrofit Kit	15	800	5000K	≥ 90	

LED Surface Dome Light



FITS IN MOST J-BOX'S MOUNTS DIRECT TO CEILING



EXAMPLE OF CAN-LESS JBOX MOUNT

LED Surface dome light fixture with integrated power supply and thermal management system combined in a single compact unit designed to fit most standard 3" - 6" recessed cans and 4" junction boxes.

- Compatible with insulated, non-insulated and air-tight ceiling applications
- Durable thermoplastic construction
- Built-in, high efficiency LED driver with >.90 input power
- Uses 1.18 watt high-power, high quality LEDs
- Long-life LED chips for 50,000 hours of operation
- 120-277 / 50-60Hz
- 0-10V Dimmable Standard option
- Operation temperature between -20°C - 40°C; -4°F - 104°F
- E26 medium screw-base Edison Socket Adapter provides easy retrofit of incandescent housings
- Suitable for wet location applications
- Meets State of California Title 24 requirements
- ENERGY STAR® rated
- **5-Year Warranty**

COMPATIBLE DIMMERS

Lutron Maestro C-L	MACL-153MR
Lutron Skylark C-L	SCL-153P
Leviton Sureslide	Cat.No.6674
Lutron	PD-6WCL
Legrand Harmony	HCL453PTCCCV6



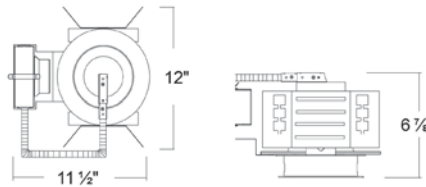
MODEL	WATTS	LUMENS	LUMENS / WATT	COLOR TEMPERATURE	INPUT VOLTAGE	DIMMING	CRI	DIMENSIONS (AxBxC)
EG-34DL-27K-ECO	8	1200	150	2700K	120-277 VAC	YES	>80	5" x 5" x 2 1/2"
EG-34DL-3K-ECO	8	1200	150	3000K	120-277 VAC	YES	>80	5" x 5" x 2 1/2"
EG-34DL-35K-ECO	14	1200	86	3500K	120-277 VAC	YES	>80	5" x 5" x 2 1/2"
EG-34DL-4K-ECO	8	1200	86	400K	120-277 VAC	YES	>80	5" x 5" x 2 1/2"
EG-34DL-5K-ECO	8	1200	86	5000K	120-277 VAC	YES	>80	7 1/8" x 7 1/8" x 1 1/8"
EG-36DL-27K-ECO	14	1200	86	2700K	120-277 VAC	YES	>80	7 1/8" x 7 1/8" x 1 1/8"
EG-36DL-3K-ECO	14	1200	86	3000K	120-277 VAC	YES	>80	7 1/8" x 7 1/8" x 1 1/8"
EG-36DL-35K-ECO	14	1200	86	3500K	120-277 VAC	YES	>80	7 1/8" x 7 1/8" x 1 1/8"
EG-36DL-4K-ECO	14	1200	86	4000K	120-277 VAC	YES	>80	7 1/8" x 7 1/8" x 1 1/8"

LED Architectural Recessed Can Light

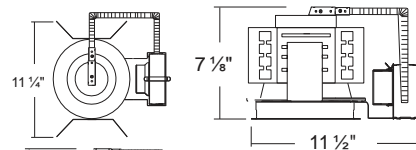
Architectural grade LED High lumen down light with deep cone reflector designed for commercial light applications. These new construction and remodel LED down lights are loaded with innovative features and options. Great for hospitals, hotels, lobbies, schools and most other institutional and commercial settings.

- Available in both new construction and remodel applications
- C-channel & flat hanger bars (sold separately)
- Available for ceiling grid tie-down
- Mounted frame junction box for easy wiring, driver installation and replacement
- Die-cast aluminum heat sink dissipates heat from LED board
- Long-life LED chips for 50,000 hours of operation
- Self-flanged aluminum reflector with frosted lens
- 120-277 / 50-60Hz
- 0-10V Dimmable Standard option
- Suitable for damp & wet location
- Applications
- LED module and driver included
- Meets State of California Title 24 requirements
- ENERGY STAR® rated
- **5-Year Warranty**

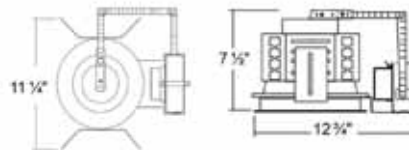
EG-4C-LED-ARCFRAME
4" CAN & FRAME KIT



EG-6C-LED-ARCFRAME
6" CAN & FRAME KIT



EG-8C-LED-ARCFRAME
8" CAN & FRAME KIT

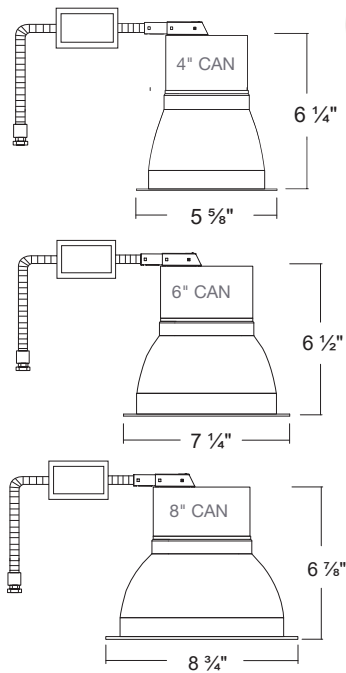


Mounting Bars Included



MODEL	WATTS	LUMENS	LUMENS / WATT	COLOR TEMPERATURE	INPUT VOLTAGE	DIMMING	CRI	DIMENSIONS (AxBxC)
EG-BL4CLD-21A	21	1590	76	3000K	120-277 VAC	YES	≥90	11 1/4" x 11 1/4" x 6 1/4"
EG-BL4CLD-28A	28	1940	69	4000K	120-277 VAC	YES	≥90	11 1/4" x 11 1/4" x 6 1/4"
EG-BL6CLD-28A	28	2210	79	3000K	120-277 VAC	YES	≥90	11" x 11 1/4" x 6 1/2"
EG-BL6CLD-48A	48	3770	79	4000K	120-277 VAC	YES	≥90	11" x 11 1/4" x 6 1/2"
EG-BL8CLD-40A	40	3090	77	4000K	120-277 VAC	YES	≥90	13 1/8" x 12 1/4" x 6"
EG-BL8CLD-52A	52	4530	87	4000K	120-277 VAC	YES	≥90	13 1/8" x 12 1/4" x 6"

LED Architectural Recessed Can Light



Commercial-grade retrofit kits convert nearly any existing incandescent, HID or CFL fixtures to energy efficient LED. These fixtures provide substantial operating savings with reduced energy usage and 50,000 hours of virtually maintenance-free commercial use.

- 50,000 hour life rating with long-life LED chips
- Tested to UL1598, UL8750 & IEC60598 safety norms
- 120-277 Multi-Volt
- CRI \geq 80
- Below-ceiling driver access for future upgrades
- Integral heat sink conducts heat away from LED light engine
- ENERGY STAR® qualified
- Title 24 compliant
- RoHS compliances
- Tested in accordance with IESNA LM79 & LM80
- Suitable for damp & wet location applications
- cULus Listed
- 0-10V Dimming capability standard
- **5 year warranty**



MODEL	DESCRIPTION	INPUT VOLTAGE	LUMENS	LUMENS / WATT	CRI	WATTS	COLOR TEMPERATURE
EG-4RKT-ARC21W-3K	4" LED Architectural Retrofit Kit	120-277 VAC	1590	76	\geq 80	21	3000K
EG-4RKT-ARC28W-3K	6" LED Architectural Retrofit Kit	120-277 VAC	2210	79	\geq 80	28	3000K
EG-6RKT-ARC40W-4K	6" LED Architectural Retrofit Kit	120-277 VAC	2920	75	\geq 80	40	4000K
EG-8RKT-ARC40W-3K	8" LED Architectural Retrofit Kit	120-277 VAC	3090	77	\geq 80	40	3000K
EG-8RKT-ARC48W-4K	8" LED Architectural Retrofit Kit	120-277 VAC	3640	76	\geq 80	48	4000K

Sloped New Construction Cans

For new work applications, this 6" IC Sloped incandescent recessed housing accommodates up to 75W R30/PAR 30 lamps with proper trim. Thermal protector safeguards against overheating.

- Safe, Thermally Protected, for Damp Locations
- Easy Access Housing
- Adjustable socket for flexibility in lamping options
- Time Saving Junction Box Design
- Easy Installation
- Used for pitched ceilings 10-30°
- UL Listed for damp locations
- 7" x 7" H



Slope
LED
27K / 4K
120V / 975 Lumens



Specular Reflector
7.0" O.D.
75W / R30 or PAR30
150W / R40 or PAR38



Sloped Stepped Baffle
6.0" O.D.
75W / R30 or PAR30



Regressed Eyeball
6.0" O.D.
75W / R30 or PAR30



Trim Options



White Metallic

Sloped Remodel Cans

For Remodel applications, this 6" IC Sloped incandescent recessed housing accommodates up to 75W R30/PAR 30 lamps with proper trim. Thermal protector safeguards against overheating.

- 6½" W x 7½" H
- For old work or remodel applications
- For direct contact with insulation
- Up to 75-watt lamp with proper trim
- UL Listed for both drywall and drop ceilings
- Thermally-protected
- Adjustable lamp height
- UL Listed for feed-through wiring and damp location



Slope
LED
27K / 4K
120V / 975 Lumens



Specular Reflector
7.0" O.D.
75W / R30 or PAR30
150W / R40 or PAR38



Sloped Stepped Baffle
6.0" O.D.
75W / R30 or PAR30



Regressed Eyeball
6.0" O.D.
75W / R30 or PAR30



Trim Options



White Metallic

LED Architectural Recessed Can Light



Adjustable hanger bar with 16" - 24" joist span. 4 1/8" height allows use in 2" x 8" joist construction. Integral T-bar installation slots.

- Thermally Protected
- 6 1/2" W x 4 1/8" H
- "Nail-less" installation bar hangers (new work)
- Adjustable housing for various ceiling thickness
- Integral T-Bar installation slots (new work)
- Adjustable lamp height
- UL Listed for feed-through wiring and location
- Oversized pre-wired snap on J-box with 4 integral Romex pry-outs with strain reliefs

OPTIONS

When ordering, please specify suffix

- "AT" for air-tight housing
- "Q" for quick connector
- "N" for nail hanger bars



Housing adjusts to accommodate up to 1 1/2" ceiling thickness. 4 1/8" height allows use in 2" x 8" joist construction. Integral T-bar installation slots

Trim Options



White Metallic



Remodel 4" PAR20 Mini Downlighting



4 Remodel Clips to secure housing
Units slips through 5 1/2" ceiling opening
Rated for direct contact with insulation

4 Remodel Clips to secure housing
Units slips through 4 1/8" ceiling opening



Specular Reflector
5.0" O.D.
50W / R20 or PAR20
(also available in black)



Open Pinhole
5.0" O.D.
50W / R20 or PAR20



Eyeball
5.0" O.D.
50W / R20 or PAR20



Albalite Shower
5.0" O.D.
50W / R20 or PAR20

Trim Options



White Metallic

Premium LED Under Cabinet Lights

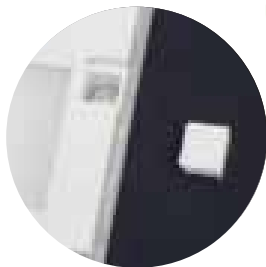
Dimmable 120V under cabinet light easily replaces existing fluorescent, incandescent, halogen and xenon fixtures. A built in driver and convenient knock-outs enable quick and easy installation for remodel and new construction applications.

- Built-in integral electronic driver
- Dimmable 120V
- On / Off rocker switch
- ≥90 CRI
- Available in 9 different lengths
- Rear panel punch-in electrical connectors for easy wiring
- 2700K color temperature
- 50,000 hour life expectancy
- Linkable up to 400W
- Mounting hardware and captive screws standard
- Available in white and bronze

ADJUSTABLE
COLOR TUNABLE
COMING SOON



LINK SEVERAL UNDER CABINETS TOGETHER WITH THE LINKABLE CONNECTOR WIRE



PRE-POSITIONED INSTALLATION SCREWS

Under Cabinet Accessories



MODEL	DESCRIPTION	COLOR TEMPERATURE	CRI	WATTS	LUMENS
EG-LED-UC8	Under cabinet Light - 8"	120V	> 90	4W	210
EG-LED-UC11	Under cabinet Light - 11"	120V	> 90	6W	470
EG-LED-UC14	Under cabinet Light - 14"	120V	> 90	9W	510
EG-LED-UC18	Under cabinet Light - 18"	120V	> 90	11W	690
EG-LED-UC22	Under cabinet Light - 22"	120V	> 90	11W	750
EG-LED-UC29	Under cabinet Light - 29"	120V	> 90	13W	950
EG-LED-UC32	Under cabinet Light - 32-3/16"	120V	> 90	15W	1100
EG-LED-UC36	Under cabinet Light - 36"	120V	> 90	16W	1130
EG-LED-UC48	Under cabinet Light - 48-5/16"	120V	> 90	18W	1430

Economy LED Under Cabinet Lights



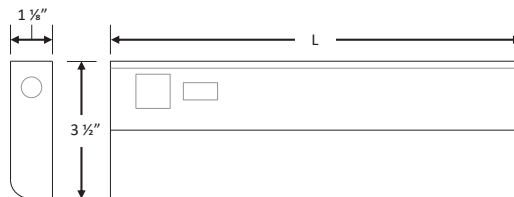
EG-LEDUC-E18
18"



EG-LEDUC-E12
12"



EG-LEDUC-E9
9"



Multi-volt Economy under cabinet light easily replaces existing fluorescent, incandescent, halogen and xenon fixtures. A built in driver and convenient knock-outs enable quick and easy installation for remodel and new construction applications.

- Built-in integral electronic driver
- On / Off rocker switch
- ≥ 80 CRI
- Available in 6 different lengths
- Rear panel punch-in electrical connectors for easy wiring
- 81,000 hour life expectancy
- Linkable
- Mounting hardware and captive screws standard
- Available in white and bronze

Under Cabinet Accessories



Captive Screws
(pre-installed on each fixture)



MODEL	DESCRIPTION	LUMENS	LUMENS / WATT	CRI	WATTS	COLOR TEMPERATURE
EG-LEDUC-E9	Under cabinet Light - 9"	327	84	> 80	3.9W	3000K-4000K
EG-LEDUC-E12	Under cabinet Light - 12"	457	91	> 80	5W	3000K-4000K
EG-LEDUC-E18	Under cabinet Light - 18"	725	94	> 80	7.7W	3000K-4000K
EG-LEDUC-E24	Under cabinet Light - 24"	865	89	> 80	9.7W	3000K-4000K
EG-LEDUC-E34	Under cabinet Light - 34"	1357	92	> 80	14.7W	3000K-4000K
EG-LEDUC-E48	Under cabinet Light - 48"	1805	93	> 80	19.5W	3000K-4000K

Emergency Drivers for LED Lamps

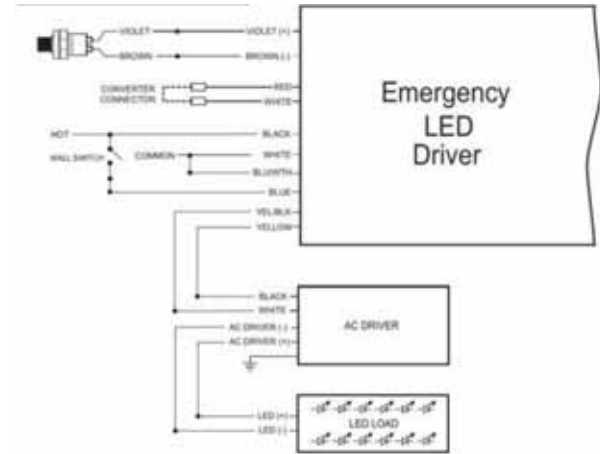
Our dependable emergency driver provides regulated power to LED lamps during a power outage. Designed to operate in NORMALLY-ON, NORMALLY-OFF or SWITCHED LOAD. Our emergency driver has versatile mounting options: inside, on-top or remote mount. Includes a push to test indicator standard. Get peace of mind.

WORKS ON BYPASS TUBES. SINGLE AND DUAL END



Push-to-Test Indicator Included

- Electronic limiting with normal operation resuming upon removal of fault
- **5-Year Warranty**



MODEL	DESCRIPTION	INPUT VOLTAGE	INPUT WATTS	OUTPUT WATTS
EG-LEDM-BP/DM20-E	Emergency Driver	180-320 VAC	36	20

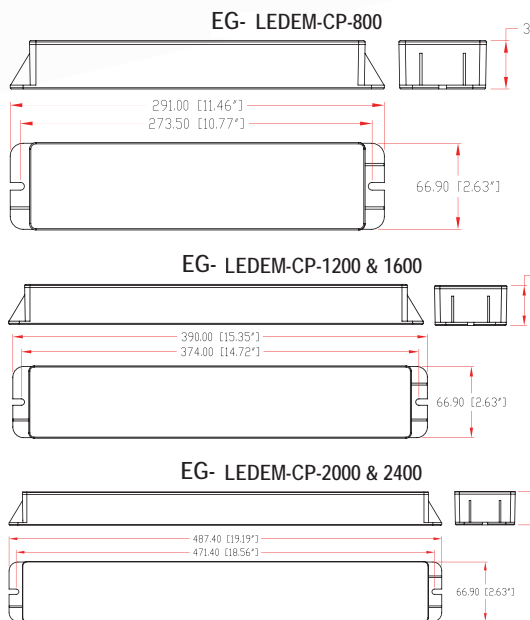
INDOOR : Accessories

Constant Power Emergency Drivers for LED Luminaires



Provides constant-current power output to the load during emergency mode operation. Used on Panels, Troffers, Strips, High Bays or LED Constant Power products. Designed to be operated as NORMALLY-ON, NORMALLY-OFF or SWITCHEDLOAD. Suitable for installation inside, on-top, or in remote mount of the fixture.

- Electronic limiting with normal operation resuming upon removal of fault
- **5-Year Warranty**



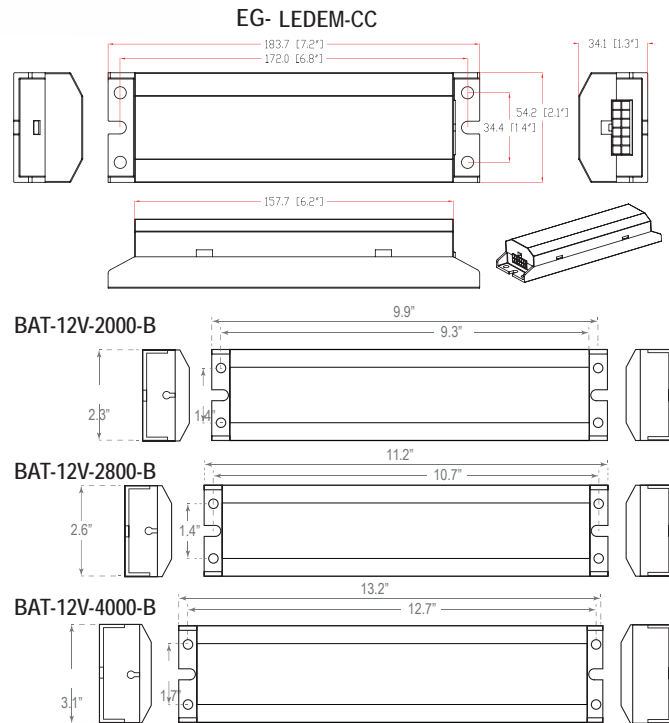
MODEL	DESCRIPTION	INPUT VOLTAGE	INPUT WATTS	OUTPUT WATTS
EG-LEDEM-CP-800	800 Emergency Driver	120V-227 VAC (50-60HZ)	3.9	5.0
EG-LEDEM-CP-1200	1200 Emergency Driver	120V-227 VAC (50-60HZ)	4.8	7.8
EG-LEDEM-CP-1600	1600 Emergency Driver	120V-227 VAC (50-60HZ)	5.7	10.7
EG-LEDEM-CP-2000	2000 Emergency Driver	120V-227 VAC (50-60HZ)	6.9	13.7
EG-LEDEM-CP-2400	2400 Emergency Driver	120V-227 VAC (50-60HZ)	7.9	17.0

Constant Current Emergency Drivers for LED Luminaires



Provides constant power output to the load during emergency mode operation. Designed to be operated as NORMALLY-ON, NORMALLY-OFF or SWITCHEDLOAD. Suitable for installation inside, on-top, or in remote mount of the fixture.

- Electronic limiting with normal operation resuming upon removal of fault
- OEM Factory-installed
- **5-Year Warranty**



MODEL	DESCRIPTION	INPUT VOLTAGE	INPUT WATTS	OUTPUT WATTS
EG-LEDEM-CC-1428/350	1428/350 Emergency Driver	120V-227 VAC (50-60HZ)	3.4	4.9-10
EG-LEDEM-CC-1442/350	1442/350 Emergency Driver	120V-227 VAC (50-60HZ)	5.0	4.9-15
EG-LEDEM-CC-1450/350	1450/350 Emergency Driver	120V-227 VAC (50-60HZ)	6.5	4.9-17.5
EG-LEDEM-CC-1420/500	1420/500 Emergency Driver	120V-227 VAC (50-60HZ)	3.4	7.0-10
EG-LEDEM-CC-1430/500	1430/500 Emergency Driver	120V-227 VAC (50-60HZ)	5.0	7.0-15
EG-LEDEM-CC-1440/500	1430/500 Emergency Driver	120V-227 VAC (50-60HZ)	6.5	7.0-20

INDOOR : Accessories

LED Tube Lamps

LED T5 HO Series Direct Replacement Lamp

Easy & safe energy-saving retrofit solution for F54T5 High Output fluorescent lamps on ballasts. Just replace the existing fluorescent tube for instant energy savings.

- Maintains original UL & CSA Compliance
- High-quality frosted glass tubing
- Environmentally-friendly mercury & lead
- Wide 180° beam
- Instant-On, flicker-free start-up
- Available in 3500K, 4000K and 5000K
- **5-Year Warranty**



MODEL	LUMENS	REF. POWER (W)	CRI	CAP	LENGTH	LIFE HOURS
EG-LED-DR-4FT-28W-35K	3,200	28	80	G13	45½"	63,000
EG-LED-DR-4FT-28W-4K	3,500	28	80	G13	45½"	63,000
EG-LED-DR-4FT-28W-5K	3,500	28	80	G13	45½"	63,000



T8 Dual End Bypass

- Full glass housing. No distortion, no yellowing and no embrittling. Great stability.
- Compatible with most electronic instant start, programmed start and emergency T8 ballast
- R9: 20
- For covered use only – damp rated
- Available in 3500K, 4000K and 5000K
- **5-Year Warranty**



MODEL	LUMENS	REF. POWER (W)	CRI	CAP	LENGTH	LIFE HOURS
EG-DEBP2FT9W-4K (35K / 4 / 5K)	1150	9	80	G13	23¾"	90,000
EG-DEBP3FT12W-5K	1500	12	80	G13	35¾"	90,000
EG-DEBP4FT14W-4K	1800	14	80	G13	47¾"	90,000
EG-DEBP4FT17W-5K	2200	17	80	G13	47¾"	90,000
EG-LED8-DEBP-43FT-43W-5K	5500	43	80	G13	93¾"	90,000

SUPER SAFE DOWN THE ROAD

LED PAR's BR's & R20 Lamps

Long-life and maintenance free LED replacement lamps are ideally designed for use in recess down lights and track lighting fixtures.

- Long-life LEDs with up to 25,000 hours at 70% lumen maintenance
- Utilizes 1.18W high power, high quality LEDs
- Easy, tool-less installation
- Durable thermoplastic construction
- Built-in, high-efficiency LED Driver
- Dimmable to 10% with most dimmers
- Saves 75% over incandescent lamps
- Standard Edison E26 medium screw-base
- ETL Listed for damp locations (-20°C - 40°C; -4°F - 104°F)
- Some models are Energy Star qualified
- **5-Year Warranty**



MODEL	WATTS	COLOR TEMPERATURE	LUMENS
EG-LEDPAR20-6W-3K	6 WATTS	3000k	450
EG-LEDPAR20-6W-5K	6 WATTS	5000k	450
EG-LEDPAR30-9W-3K	9 WATTS	3000k	750
EG-LEDPAR30-9W-5K	9 WATTS	5000k	750
EG-LEDPAR38-13W-3K	13 WATTS	3000k	1050
EG-LEDPAR38-13W-5K	13 WATTS	5000k	1200



MODEL	WATTS	COLOR TEMPERATURE	LUMENS
EG-LEDR20-7W-27K	7 WATTS	2700k	525
EG-LEDR20-7W-4K	7 WATTS	4000k	525
EG-LEDBR30-11W-27K	11 WATTS	2700k	800
EG-LEDBR30-11W-4K	11 WATTS	4000k	800
EG-LEDBR40-15W-27K	15 WATTS	2700k	1100
EG-LEDBR40-15W-4K	15 WATTS	4000k	1100

COMPATIBLE DIMMERS

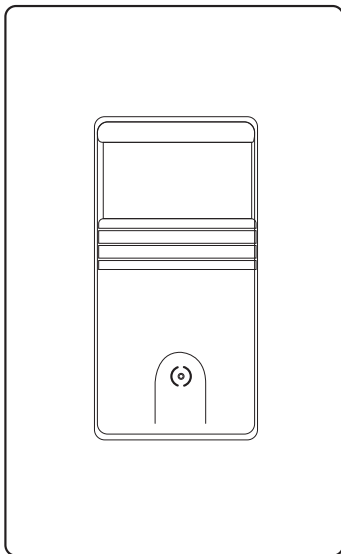
Lutron Maestro C-L	MACL-153MR
Lutron Skylark C-L	SCL-153P
Leviton Sureslide	Cat.No.6674
Lutron	PD-6WCL
Legrand Harmony	HCL453PTCCCV6



MODEL	LUMENS	COLOR TEMPERATURE	CRI	WATTS	DIMMABLE
EG-LEDA19-9W-27K-DIM	800	2700K	80	9W	YES
EG-LEDA19-9W-4K-DIM	800	4000K	80	9W	YES
EG-LEDA19-12W-27K-DIM	1100	2700K	80	12W	YES
EG-LEDA19-12W-4K-DIM	1100	4000K	80	12W	YES
EG-LEDA19-9W-27K	800	2700K	80	9W	NO
EG-LEDA19-9W-4K	800	4000K	80	9W	NO
EG-LEDA19-12W-27K	1100	2700K	80	12W	NO
EG-LEDA19-12W-4K	1100	4000K	80	12W	NO



180° PIR Wallbox Vacancy & Occupancy Sensor



EG-SOVS-MV-WH



PIR wall-box vacancy and occupancy sensor designed to replace a standard light or fan switch. Detects motion from heat-emitting sources within its field-of-view and automatically turns lights ON and OFF.

- Works with most common lighting fixtures
- Adjustable time delay from 15 seconds to 30 minutes
- LED light indicates motion was detected
- Doesn't require neutral wire
- Replaces standard light or fan single-pole switch
- Utilizes Passive Infrared (PIR) technology
- 120-277 Multi Volt
- Operating temperature of 0°C - 55°C; (32°F - 131°F)
- Meets State of California Title 24 requirements
- **2-Year Warranty**

TYPICAL APPLICATIONS

- Private Offices
- Copy Rooms
- Conference Rooms
- Lunch / Break Rooms
- Restrooms
- Storage Rooms
- Classrooms
- Common Areas

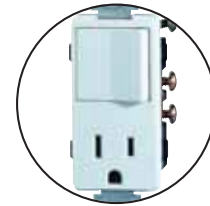
Tamper Resistant Receptacles



Keep up with current code: use tamper-resistant to avoid intentional malfunction and harm by either the normal users, or others with physical access to it.



15 amp Tamper Resistant Receptacle - Commercial



15 amp Receptacle & Switch



20 amp Tamper Resistant Receptacle



WALL SWITCHES

MODEL	DESCRIPTION
EG-2SD12	2 Gg Pllt, 1 Switch, 1 Duplex
EG-2SD131	2 Gng Pllt, 1 Switch, 1 Decor
EG-D2SLL3	Fan300 Lit Dual DM Slid Off
EG-DDS61	Sggle 600W Decora Touch DIM
EG-DDS63	3 way 600W Decora Touch DIM
EG-DDSM1	Mag LV Sggle Lit 500 TCH DIM
EG-DDSM3-WH	Mag LV 3way Lit 500 TCH DIM
EG-DR61	Sggle Ple Push 600 Rotry DM
EG-DR63	3 way Push 600 Rotry DM
EG-DS115	Sggle Pole Dec Switch 15 Amp
EG-DS315	3 Way Decora Switch 15 Amp
EG-DS3K15-WH	Decora 3 Rocker Switch MV
EG-DS415	4 Way Decora Switch 15 Amp
EG-DSLEG-1LZ	150W LED Dimmer w/Plates
EG-DSL710	Sggle Ple 700 SLIDE DIM O/OF
EG-DSL71	Sggle Ple Lght 700 SLIDE DIM
EG-DSL73	3 Way Lght 700 SLIDE DIM
EG-DSL73OF	3 WAY 700 SLIDE DIM OFF
EG-DSL73-WH	3 Way Lght 700 SLIDE DIM
EG-IPLEG-10	300W LED Dimmer w/Plates
EG-OCC-VACSEN-WH-MV	180° OC/ VAC WH w/plate MV
EG-OCCSENPU-WH	Push on/off 180° OC Sens
EG-RTS215	15amp Toggle Switch w/Recep
EG-SOP	Push on/off 180° OC Sens
EG-SOS	Side on/off 180° OC Sens
EG-SVP-WH	Push on/off 180° VC Sens
EG-TS115	Sggle Pole Tog Switch 15Amp
EG-TS215	15amp 2 Toggle Switch Side
EG-TS315	3 Way Toggle Switch 15Amp
EG-TS415	4 Way Toggle Switch 15Amp

RECEPTICLES

MODEL	DESCRIPTION
EG-115R-S-WH	15 amp WH Stand Single Recep
EG-120R-S-WH	20 amp WH Stand Single Recep
EG-15R-D	15amp Decora Receptacle
EG-15R-D-TR	15amp Dec Rec TAMPER
EG-15R-D-WH	15amp Decora Receptacle
EG-15R-HS	15amp Hosp. Grade recept. ORG
EG-15R-S	15amp Stand Duplex Recep
EG-15R-S-TR	15amp STD Dupx Rec TAMPER
EG-15R-S-WH	15amp WH Stand Duplex Recep
EG-1RP-WH	1 Gang Single Rec Plate
EG-20R-D	20amp Indust Decora Recep
EG-20R-D-WH-TR	20amp Indust Decora Recep
EG-20R-HS	20amp Hosp. Grade recept.ORG
EG-20R-S	20amp COM Stnd Duplex Recep
EG-20R-S-TR-WH	20amp DUP REC TR
EG-20R-S-WH	20amp COM Stnd Duplex Recep
EG-BDR-50-BK	Dryer/Range Receptacle, 50A, 125
EG-DDR-30-WH	Dryer/Range Receptacle, 30A,125
EG-DDR-50-WH	Dryer/Range Receptacle, 50A,125
EG-TR20-DC	20amp TR Decora Receptacle
EG-TR20-SC	20amp TR Decora Receptacle
EG-UEG-15R-TR-WH	15 amp Receptacle USB TR
EG-UEG-20R-TR-WH	20 amp Receptacle USB TR

WALL PLATES

MODEL	DESCRIPTION
EG-1T	1 Gang Telephone Jack
EG-1J	1 Gang Coaxial Jack
EG-BP1	1 Gang Blank Plate
EG-BP2	2 Gang Blank Plate
EG-DDR-PL2-SS	2 Gang Stainless Steel Plate
EG-DDR-PL-SS	1 Gang Power Outlet Plate-SS
EG-DP1	1 Gang Decorative Plate
EG-DP2	2 Gang Decorative Plate
EG-DP3	3 Gang Decorative Plate
EG-DP4	4 Gang Decorative Plate
EG-DRP1	1 gang duplex recep. plate
EG-DRP2	2 gang duplex recep. plate
EG-LVDP1-WH	Leviton 1 Gang Deco Plate
EG-TP1	1 Gang Toggle Plate
EG-TP2	2 Gang Toggle Plate
EG-TP3	3 Gang Toggle Plate
EG-TP4	4 Gang Toggle Plate

Wire Connectors



- UL Listed and CSA certified.
- Building wiring rated at 600 volt max.
- UL 94V-2 flame-retardant thermoplastic shell.
- Fixed square wiring spring which grabs wire tightly.
- Fast, easy with no-twist necessary, reducing installation time and twist fatigue.
- Color-coded for easy identification of different sizes.
- Compact size; takes up less space.
- No bare wires to cause shorts.
- Each wire is individually clamped to provide a more secure grip on the conductor.
- Test point provides easy testing with voltage tester.
- Built-in wire stripping length gauge.

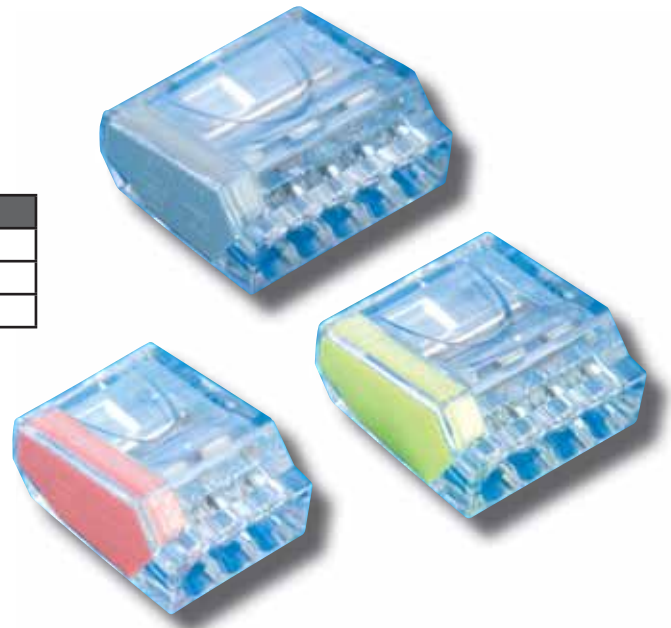
APPLICATIONS:

- OEM lighting manufacturing.
- Prefabricated wiring systems.
- Circuit and fixture wiring systems.

MODEL	DESCRIPTION	MAX. WIRING VOLTAGE	QTY
EG-P1001	Baby Grey Barrel Connector	600 V	1,000
EG-P1101	Yellow Winged Connector	600 V	500
EG-P1201	Tan Winged Connector	600 V	500
EG-P1301	Red Winged Connector	600 V	500
EG-P1501	Big Grey Winged Connector	600 V	250
EG-P1701	Big Blue Winged Connector	600 V	100
EG-P2001	Baby Blue Barrel Connector	600 V	500
EG-P3001	Orange Barreled Connector	600 V	500
EG-P4001	Yellow Barreled Connector	600 V	500
EG-P6001	Red Barreled Connector	600 V	500
EG-P9901	Green Winged Connector	n/a	500

Push In Connectors

MODEL	DESCRIPTION	MAX. WIRING VOLTAGE	QTY
EG-PC25201	2 Hole Push In Connector - Red	600 V	500
EG-PC25301	3 Hole Push In Connector - Orange	600 V	500
EG-PC25401	4 Hole Push In Connector - Yellow	600 V	500



Cable Ties

We Stock 8", 11" and 14" Natural or Clear and Black UV Rated Cable ties.

Used for binding several electronic cables and wires together, cable ties keep your wiring projects neat and organized. All of our Cable ties have a 50 lb loop tensile strength.

STANDARD FEATURES

- 50 lb Tensile Strength.
- Operating Temp: -4°F ~ 185°F.



MODEL	DESCRIPTION	LENGTH	WIDTH	QTY
EG-850-N100	8 in. Cable Ties - Natural	8 in.	0.19 in.	10,000
EG-850-B100	8 in. Cable Ties - Black	8 in.	0.19 in.	10,000
EG-1150-N100	11 in. Cable Ties - Natural	11 in.	0.19 in.	5,000
EG-1150-B100	11 in. Cable Ties - Black	11 in.	0.19 in.	5,000
EG-1450-N100	14 in. Cable Ties - Natural	14 in.	0.19 in.	5,000
EG-1450-B100	14 in. Cable Ties - Black	14 in.	0.19 in.	5,000

Smoke / Carbon Detectors

These high quality smoke alarms are designed to install faster, perform better and be even smarter than before to reduce nuisance alarms and save you time and money.

- Large opening in the mounting bracket for easy access to wiring.
- Keyhole slots in the mounting bracket eliminate the need to remove the electrical box screws for installation.
- Locking feature provided to prevent theft of the unit.
- Connection to AC power is made with a "Quick-Connect" wiring harness.
- Installation is quick, easy and cost effective.
- Latching alarm indicator remembers which unit initiated an alarm.
- Perfect Mount - allows for easy alignment of alarm.



MODEL	DESCRIPTION
EG-KD-21007581	110V Ionization Smoke Alarm
EG-KD-21006377-N	110V Ionization CO/Smoke Alarm
EG-KD-21008697	Sealed Battery Smoke Alarm with Hush



Emergency Lights

LED Emergency Light

EG-EAW-LED



Adjustable, high-performance chrome-plated lamp heads with metalized reflector and plastic lens for optimal light distribution.

LED board and lamp heads provide 90-minutes of emergency illumination through the internal solid-state transfer switch that automatically connects to the maintenance-free, rechargeable Nickel Cadmium battery.

- Tough thermoplastic housing provides wall or ceiling mounting.
- UL Listed for Damp Location placement (0°C - 50°C)
- Dual 120V/277V wiring standard with optional multi-tap 208/220/240 voltage available.
- Meets UL924, NFPA101 Life Safety Code, NEC, OSHA and State & Local code.

Remote Capable LED Emergency Light

EG-EAB-LED



Adjustable, high-performance chrome-plated lamp heads with metalized reflector and plastic lens for optimal light distribution.

LED board and lamp heads provide 90-minutes of emergency illumination through the internal solid-state transfer switch that automatically connects to the maintenance-free, rechargeable Nickel Cadmium battery.

- Remote capacity standard.
- Tough thermoplastic housing provides wall or ceiling mounting.
- UL Listed for Damp Location placement (0°C - 50°C)
- Dual 120V/277V wiring standard with optional multi-tap 208/220/240 voltage available.
- Meets UL924, NFPA101 Life Safety Code, NEC, OSHA and State & Local code.

Adjustable Optics LED Emergency Light

EG-EEG-LED



Adjustable, high-performance chrome-plated lamp heads with metalized reflector and plastic lens for optimal light distribution.

LED board and lamp heads provide 90-minutes of emergency illumination through the internal solid-state transfer switch that automatically connects to the maintenance-free, rechargeable Nickel Cadmium battery.

- Tough thermoplastic housing provides wall or ceiling mounting.
- UL Listed for Damp Location placement (0°C - 50°C)
- Dual 120V/277V wiring standard with optional multi-tap 208/220/240 voltage available.
- Meets UL924, NFPA101 Life Safety Code, NEC, OSHA and State & Local code.

Low Profile LED Emergency Light

EG-ECO



Unique compact design features efficient, ultra-bright 0.5 watt LED lamp heads.

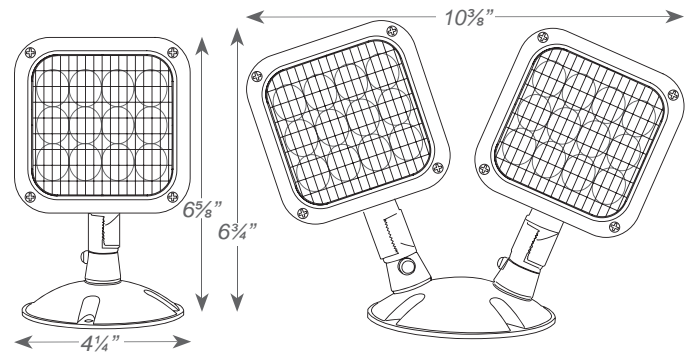
LED board and lamp heads provide 90-minutes of emergency illumination through the internal solid-state transfer switch that automatically connects to the maintenance-free, rechargeable Nickel Cadmium battery.

- Tough thermoplastic housing provides wall or ceiling mounting.
- UL Listed for Damp Location placement (0°C - 30°C)
- Dual 120V/277V wiring standard with optional 120/230 voltage available.
- Meets UL924, NFPA101 Life Safety Code, NEC, OSHA and State & Local code.

Outdoor LED Remote Head

Long lasting, efficient, ultra bright white LED lamp heads with high performance chrome-plated metalized reflector and glass lens with 8" or 12" LED's in each lamp head for optimal light distribution. With an adjustable LED lamp heads increases center-to-center spacing.

- Available in both engineering grade, high-impact resistant thermoplastic or premium grade die-cast aluminum housing
- Sealed and gasketed in standard gray or optional black finish
- UL Listed
- Meets UL924, NFPA 101 Life Safety Code, NEC, OSHA, Local and State Codes
- **5-Year Warranty**



MODEL TYPE	3.6V	9.6V	MV
SB-C2_-LED		x	x
SB-CLP2_-RC		x	x
SB-EA_-RC	x		x
SB-EWL-LED	x		x
SB-ECO-LED-EM-RC		x	x
SB-C2LP_-RC	x		x
SB-CEU-RC	x		x



Also available in Thermoplastic



MODEL	NO. OF HEADS		OPTIONS		HOUSING		VOLTAGE		COLOR		LAMP TYPE1
EG-RHRWLED1-PWP-MV	1	Single Head	Blank	For Standard non-self diagnostic fixtures	PWP	Thermoplastic	3.6V	For use with 3.6V batteries	Blank	White	Blank 8 LEDs 1W
EG-RHRWLED2-PWP-MV	2	Double Head	SDT	For Standard non-self diagnostic fixtures	WP	Die-cast	9.6V	For use with 9.6V batteries For use with 3.6V, 6V, 9.6V & 12V batteries	B	Black	HL 12 LEDs 1.5W

LED Exit Emergency / Life Safety

LED Exit Sign

EG-XPRW



Engineering-grade, 5VA flame retardant, high-impact resistant injection-molded thermoplastic.

LED board and lamp heads provide 90-minutes of emergency illumination through the internal solid-state transfer switch that automatically connects to the maintenance-free, rechargeable Nickel Cadmium battery.

- Versatile thermoplastic housing and canopy provides top, end or wall mounting.
- UL Listed for Damp Location placement (0°C - 50°C)
- Dual 120V/277V wiring standard.
- Meets UL924, NFPA101 Life Safety Code, NEC, OSHA and State & Local code.

EG-CLP



Attractive, UV-stabilized acrylic Lightpipe combo provides a sleek contemporary backup light flush with the profile.

Fully automatic solid-state, two rate charger initiates battery charging to recharge a discharged battery in 24 hours.

- Versatile thermoplastic housing and canopy provides top, end or wall mounting.
- UL Listed for Damp Location placement
- Dual 120V/277V wiring standard.
- Meets UL924, NFPA101 Life Safety Code, NEC, OSHA and State & Local code.

EG-C2LED



Engineering-grade, 5VA flame retardant, high-impact resistant injection-molded thermoplastic.

LED board and lamp heads provide 90-minutes of emergency illumination through the internal solid-state transfer switch that automatically connects to the maintenance-free, rechargeable Nickel Cadmium battery.

- Versatile thermoplastic housing and canopy provides top, end or wall mounting.
- UL Listed for Damp Location placement (0°C - 40°C)
- Dual 120V/277V wiring standard.
- Meets UL924, NFPA101 Life Safety Code, NEC, OSHA and State & Local code.

EG-C2LP



Unique 16" x 7¼" x 2" compact combo design features efficient, ultra-bright 0.5 watt LED lamp heads.

LED board and lamp heads provide 90-minutes of emergency illumination through the internal solid-state transfer switch that automatically connects to the maintenance-free, rechargeable Nickel Cadmium battery.

- Versatile EZ-Snap thermoplastic fixture and canopy provides top, end or wall mounting.
- UL Listed for Damp Location placement (0°C - 30°C)
- Dual 120V/277V wiring standard with optional 120V/230V available.
- Meets UL924, NFPA101 Life Safety Code, NEC, OSHA and State & Local code.



Office: (844)-897-4002

www.everongreen.com